



US00D814917S

(12) **United States Design Patent**
Kase et al.

(10) **Patent No.:** **US D814,917 S**

(45) **Date of Patent:** **** Apr. 10, 2018**

- (54) **BOX**
- (71) Applicant: **Kinesio IP LLC**, Albuquerque, NM (US)
- (72) Inventors: **Kenzo Kase**, Albuquerque, NM (US); **Yukari Takeda**, Tokyo (JP)
- (73) Assignee: **Kinesio IP LLC**, Albuquerque, NM (US)
- (**) Term: **15 Years**
- (21) Appl. No.: **29/575,037**
- (22) Filed: **Aug. 22, 2016**
- (51) **LOC (11) Cl.** **09-03**
- (52) **U.S. Cl.**
USPC **D9/415**; D9/418; D9/414
- (58) **Field of Classification Search**
USPC D9/414, 415, 420, 421, 424, 425, 433, D9/470, 501, 504, 549, 553, 554, D9/564-575, 686-699, 702, 710, 711, D9/722, 740, 752, 755, 756; D6/320, D6/341; D3/278, 293, 318
CPC B65D 85/18; B65D 25/54; B65D 75/366; B42D 15/042
See application file for complete search history.

D640,128 S *	6/2011	Harshman	D9/418
D646,157 S *	10/2011	Work	D9/418
D646,562 S *	10/2011	Liebowitz	D9/418
D669,350 S *	10/2012	Althoff	D9/418
D718,149 S *	11/2014	Glenn	D9/734
D762,465 S *	8/2016	Popper	D9/415
D789,783 S *	6/2017	DeBusk	D9/418

OTHER PUBLICATIONS

Official Notification issued by the Patent Office of Russia on Apr. 7, 2017, for corresponding Application No. 2017500676/49.

* cited by examiner

Primary Examiner — Caron D Veynar

Assistant Examiner — Mehri F Bajoul

(74) *Attorney, Agent, or Firm* — Finnegan, Henderson, Farabow, Garrett & Dunner, LLP

(56) **References Cited**

U.S. PATENT DOCUMENTS

D393,800 S *	4/1998	Harrison	D9/415
D466,406 S *	12/2002	Solland	D9/415
D512,630 S *	12/2005	Tachikawa	D9/415
D543,450 S *	5/2007	Watzig	D9/418
D600,547 S *	9/2009	Cain	D9/418
D616,298 S *	5/2010	Britt	D9/415
D639,652 S *	6/2011	Abdalkhani	D9/418

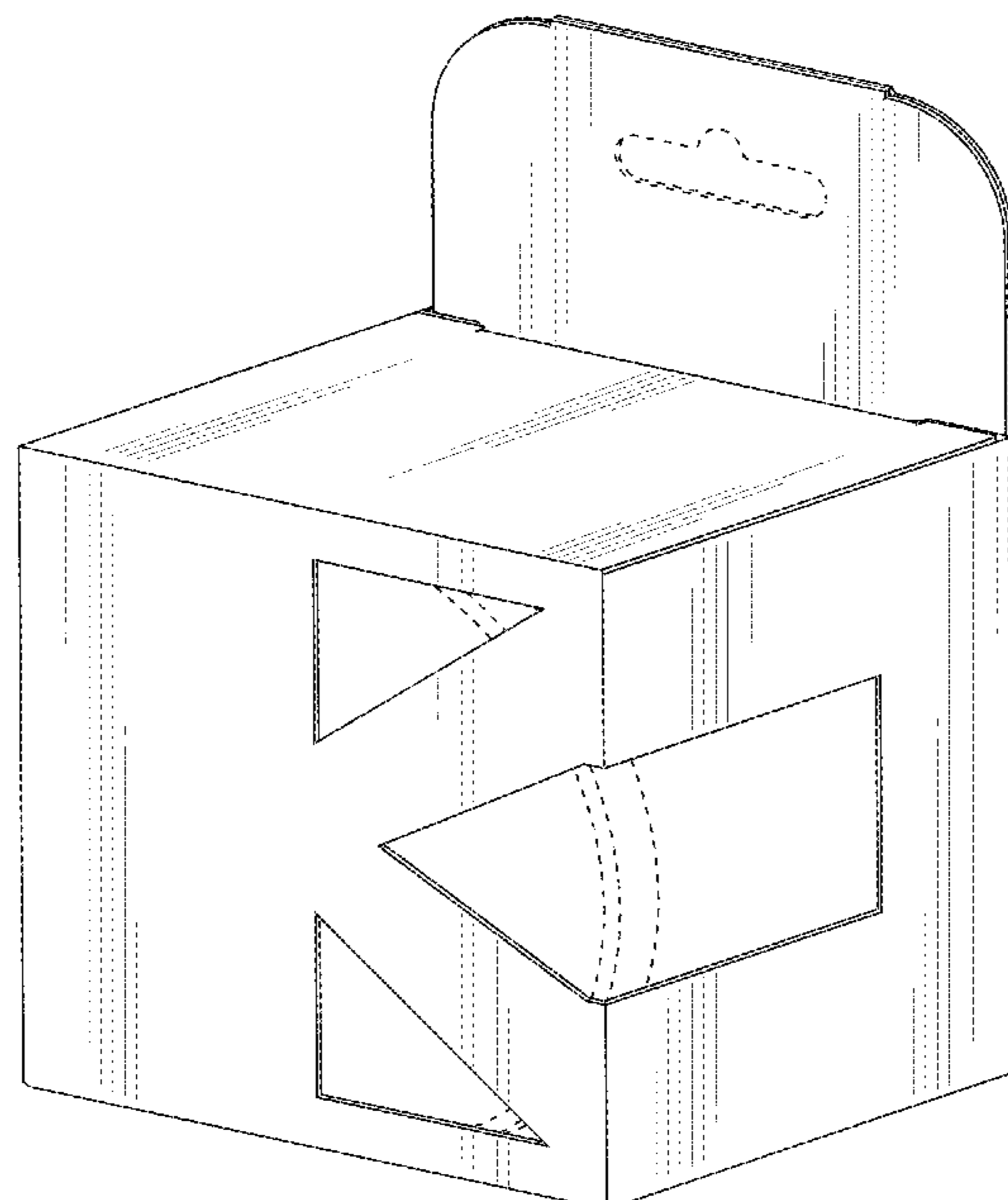
(57) **CLAIM**

The ornamental design for a box, as shown and described.

DESCRIPTION

FIG. 1 is a top, front, right perspective view of a box showing our new design;
FIG. 2 is a front elevation view thereof;
FIG. 3 is a rear elevation view thereof;
FIG. 4 is a right side elevation view thereof;
FIG. 5 is a left side elevation view thereof;
FIG. 6 is a top plan view thereof; and,
FIG. 7 is a bottom plan view thereof.
The broken lines in FIGS. 1-4 and 6-7 represent the contents of the box and form no part of the claimed design.

1 Claim, 7 Drawing Sheets



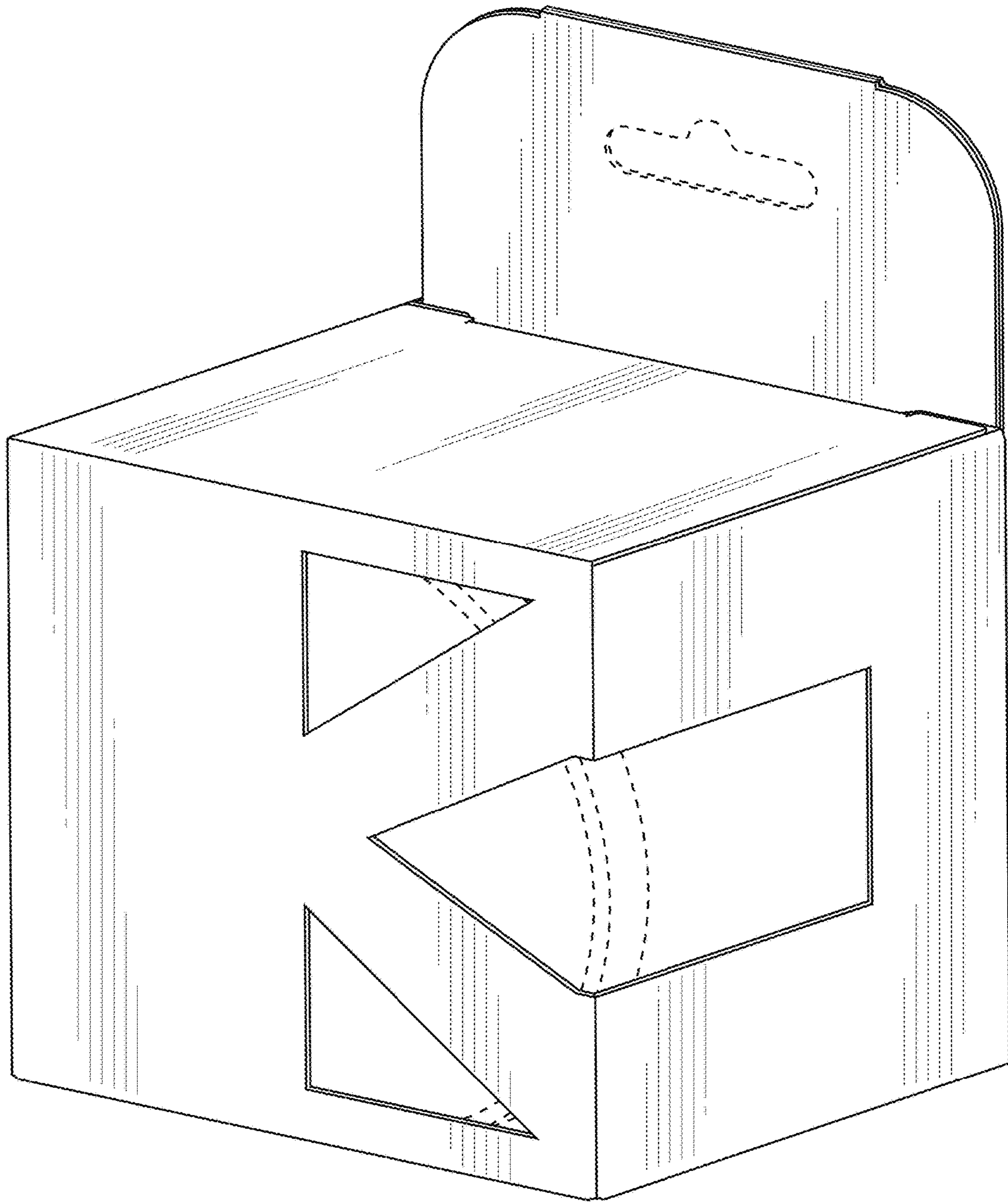


FIG. 1

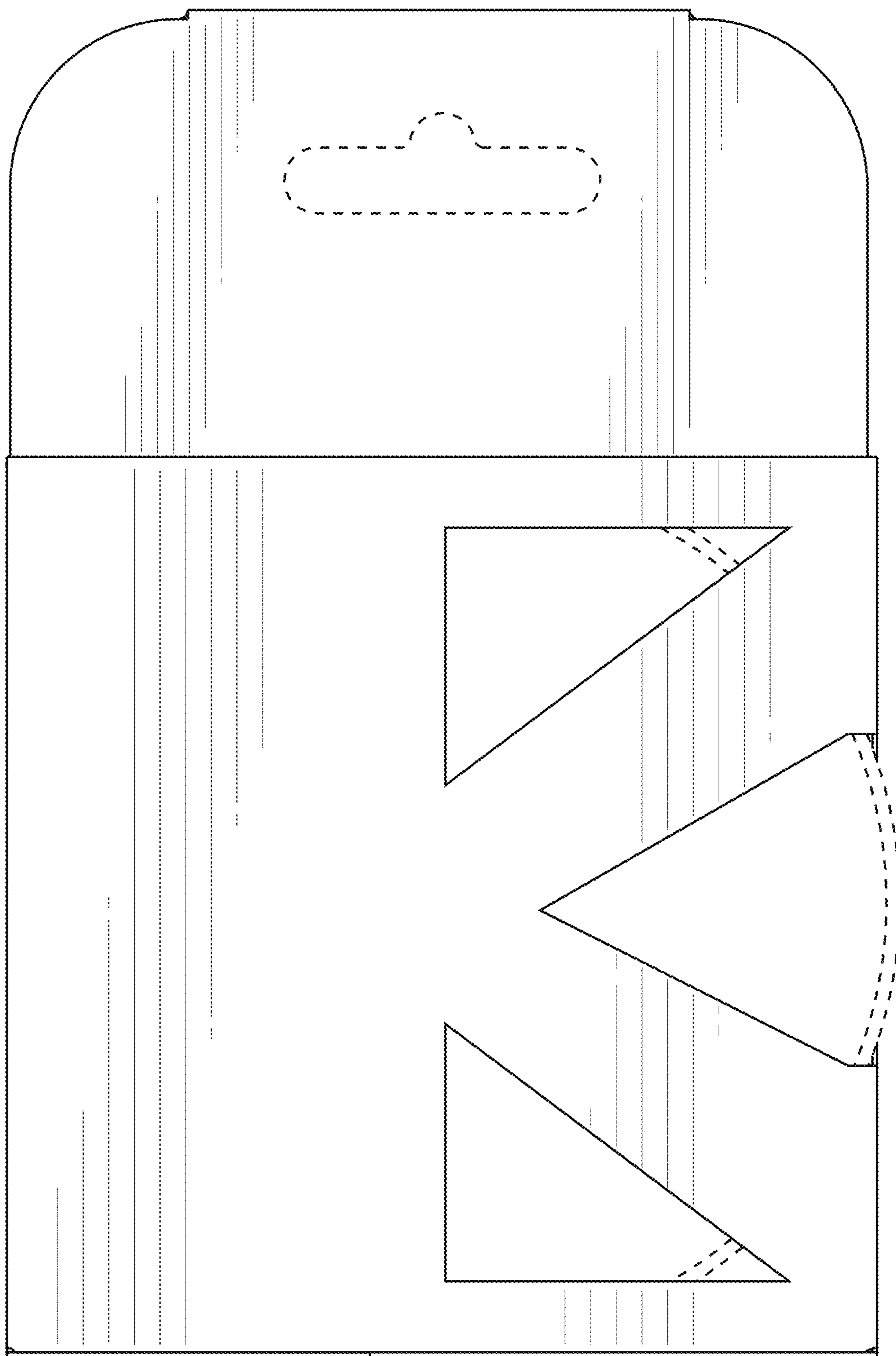


FIG. 2

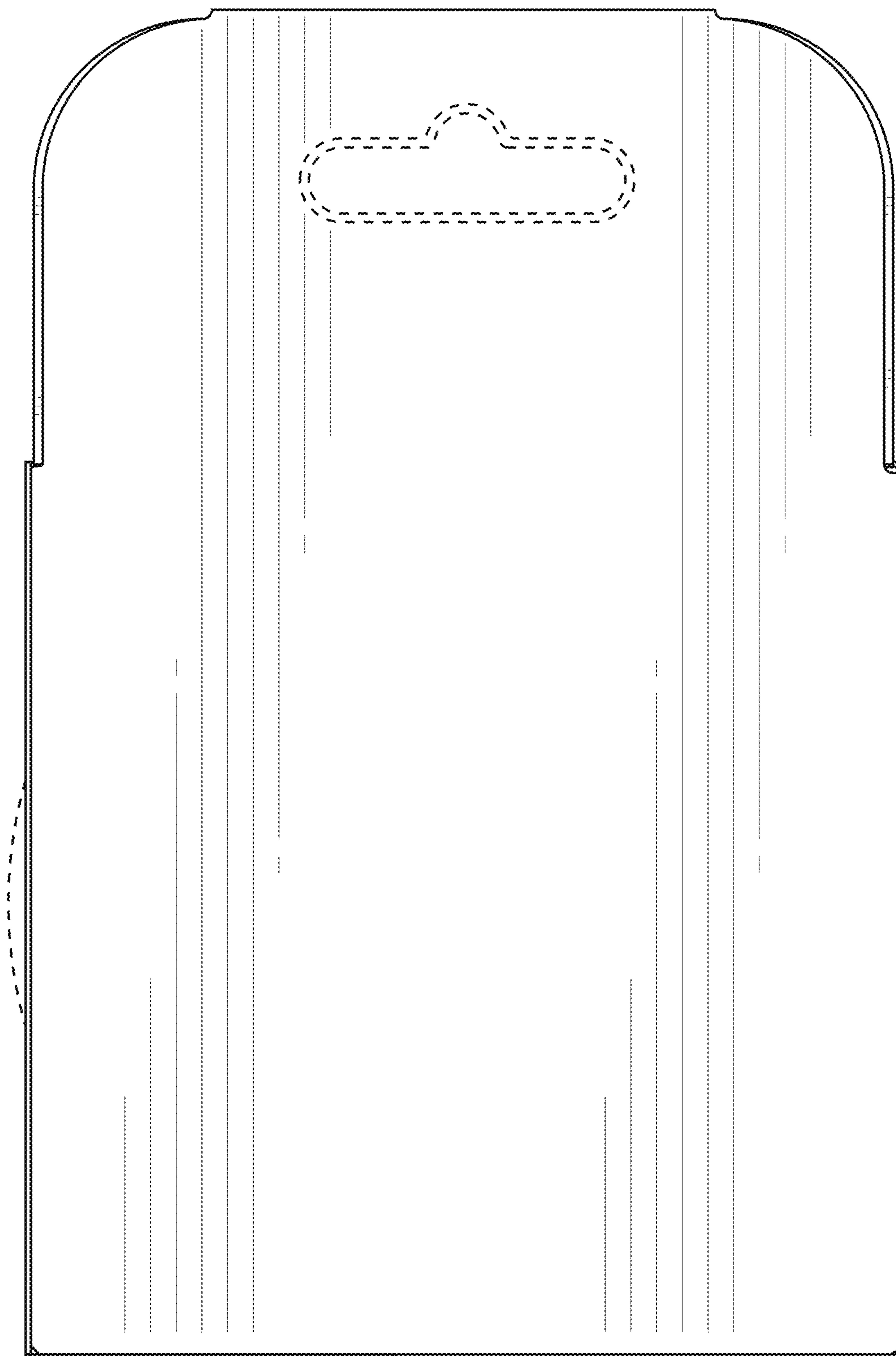


FIG. 3

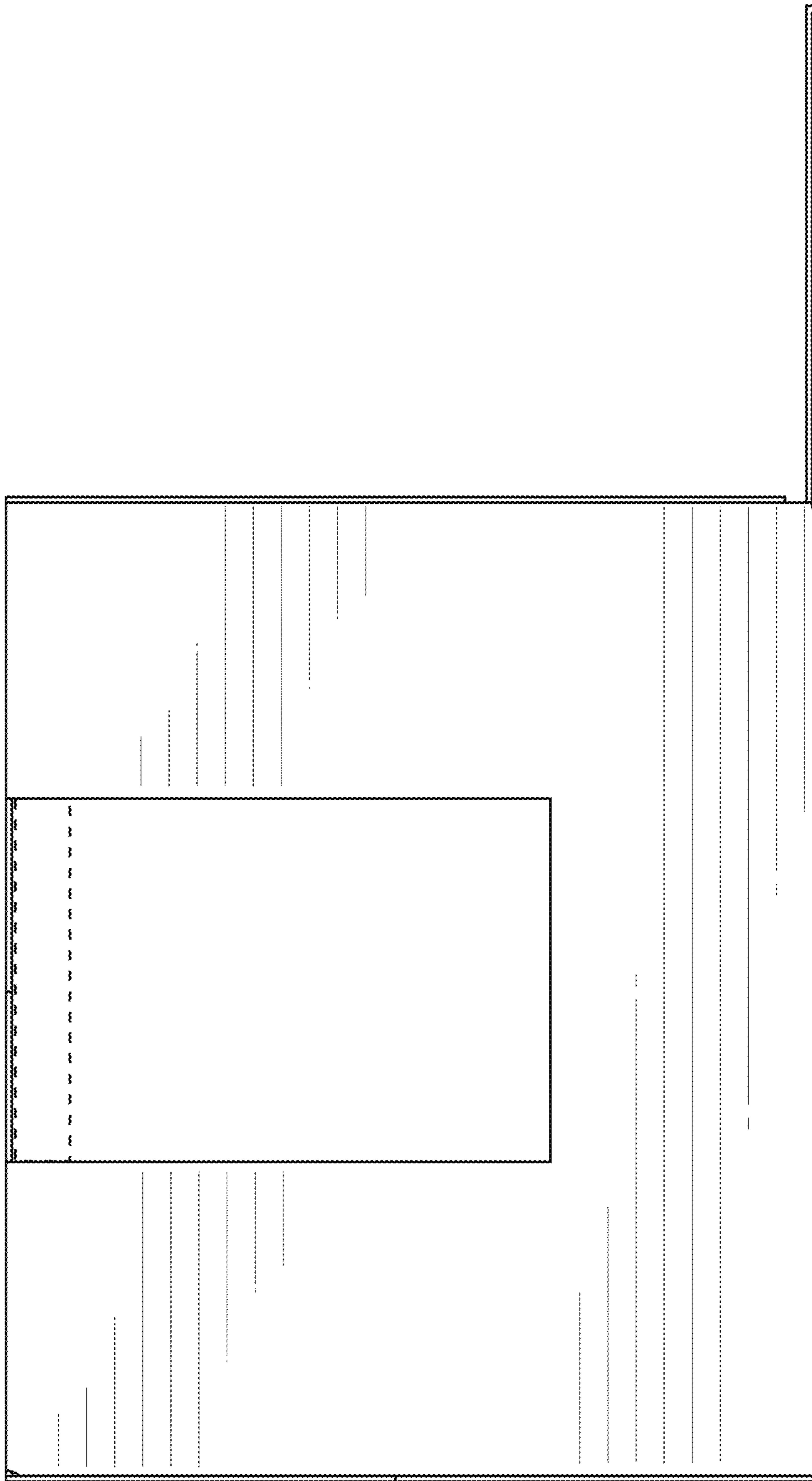


FIG. 4

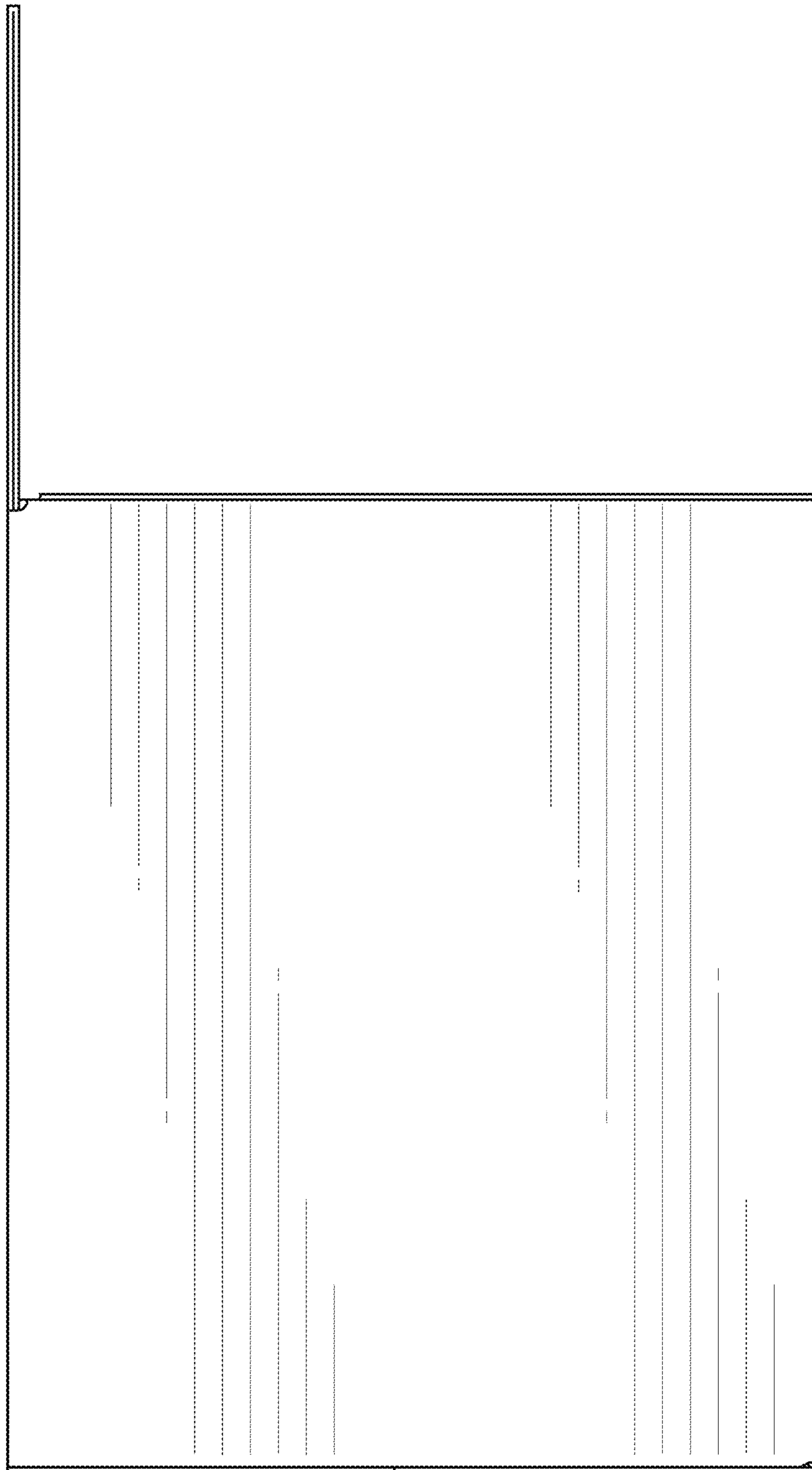


FIG. 5

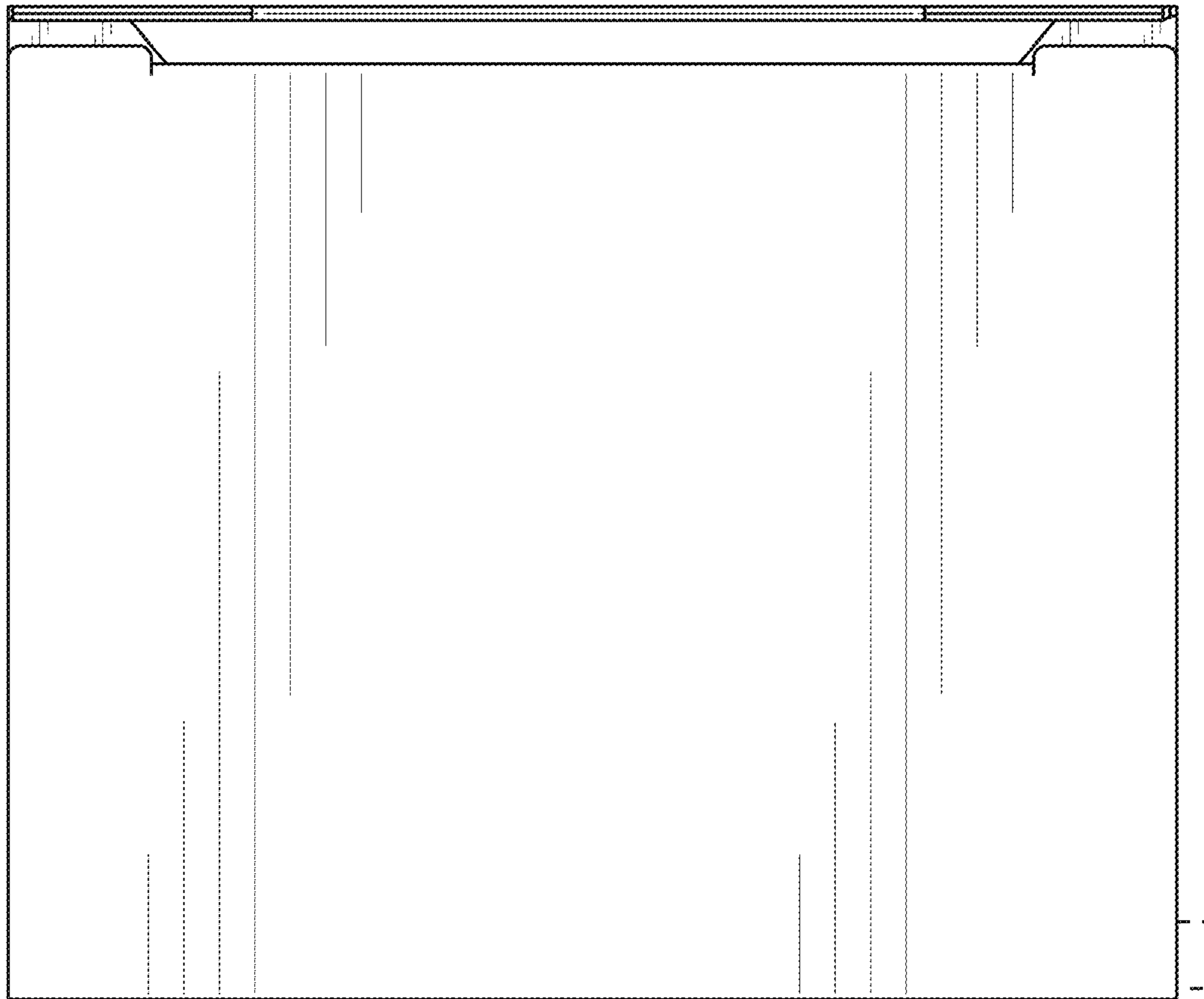


FIG. 6

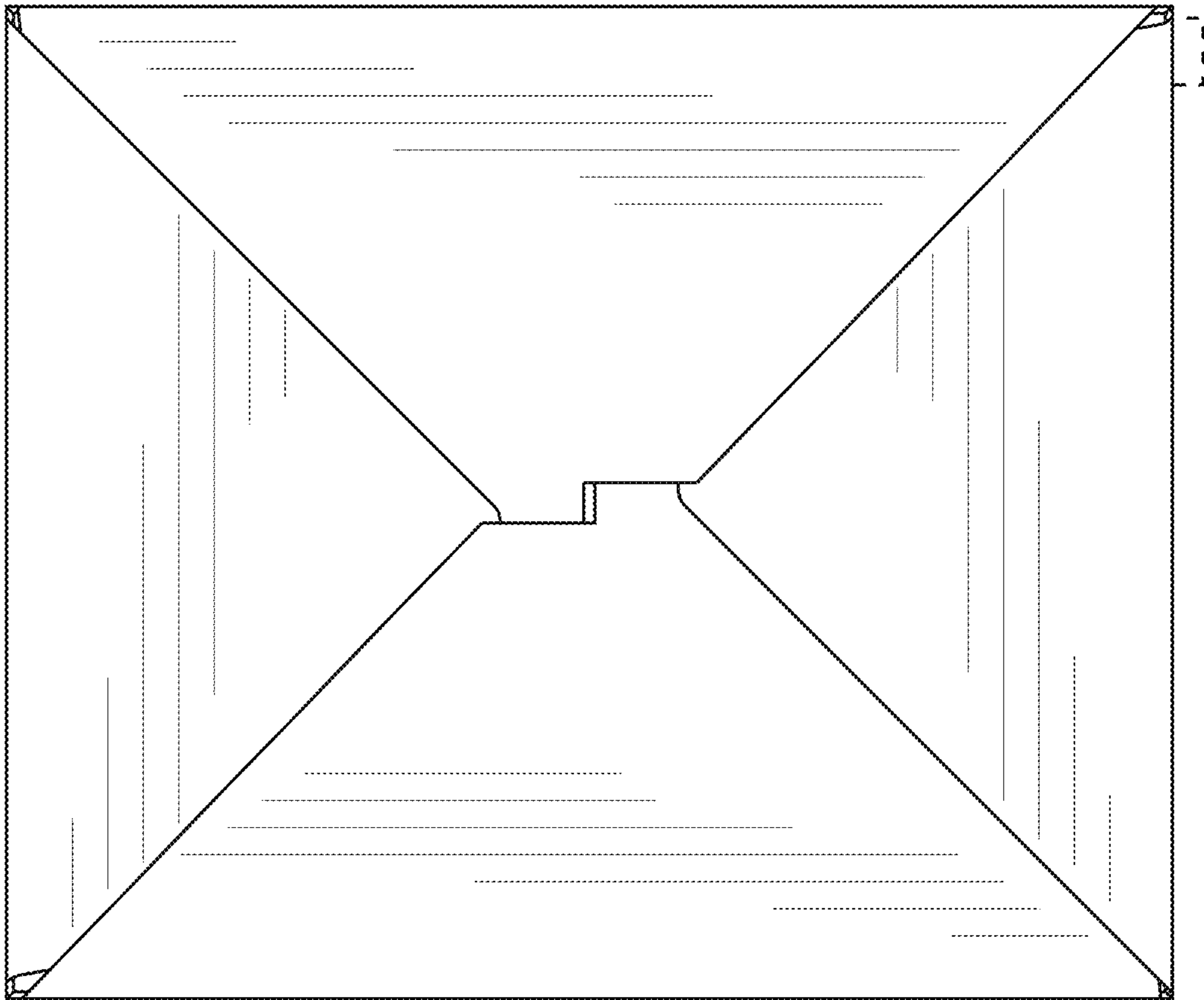


FIG. 7