



US00D814916S

(12) **United States Design Patent**
Hoekstra et al.

(10) **Patent No.:** **US D814,916 S**
(45) **Date of Patent:** **** Apr. 10, 2018**

(54) **PACKAGE**

(71) Applicant: **Huhtamäki Oyj**, Espoo (FI)
(72) Inventors: **Aad Hoekstra**, ae Zutphen (NL);
Stephen Knipe, Hayling Island (GB)

(73) Assignee: **HUHTAMAKI OYJ**, Espoo (FI)

(**) Term: **15 Years**

(21) Appl. No.: **29/567,848**

(22) Filed: **Jun. 13, 2016**

(30) **Foreign Application Priority Data**

Dec. 11, 2015 (FI) M20150136

(51) **LOC (11) Cl.** **09-03**

(52) **U.S. Cl.**
USPC **D9/414**

(58) **Field of Classification Search**
USPC D9/414, 415, 418, 428, 432, 433, 457,
D9/702, 703, 705, 707, 715, 722; D19/1,
(Continued)

(56) **References Cited**

U.S. PATENT DOCUMENTS

3,979,051 A * 9/1976 Close B65D 27/08
150/145
4,575,000 A * 3/1986 Gordon B65D 75/28
229/103

(Continued)

FOREIGN PATENT DOCUMENTS

DE 10121899 A1 11/2002
GB 1033661 A 6/1966

(Continued)

Primary Examiner — Wan Laymon

Assistant Examiner — Clint A Samuel

(74) *Attorney, Agent, or Firm* — Husch Blackwell LLP

(57) **CLAIM**

The ornamental design for a package, as shown and described.

DESCRIPTION

FIG. 1 is a top plan view of a package showing a first embodiment of the new design;
FIG. 2 is a bottom plan view of the package shown in FIG. 1;
FIG. 3 is a front elevation view of the package shown in FIG. 1;
FIG. 4 is a rear elevation view of the package shown in FIG. 1;
FIG. 5 is a right side view of the package shown in FIG. 1;
FIG. 6 is a left side view of the package shown in FIG. 1;
FIG. 7 is a top perspective view of the package shown in FIG. 1;
FIG. 8 is a top perspective view of the package shown in FIG. 1;
FIG. 9 is a top perspective view of the package shown in FIG. 1;
FIG. 10 is a bottom perspective view of the package shown in FIG. 1;
FIG. 11 is a bottom perspective view of the package shown in FIG. 1;
FIG. 12 is a bottom perspective view of the package shown in FIG. 1;
FIG. 13 is a top plan view of the package shown in FIG. 1 illustrating the package in an unfolded orientation;
FIG. 14 is a top plan view of a package showing a second embodiment of the new design;
FIG. 15 is a bottom plan view of the package shown in FIG. 14;
FIG. 16 is a front elevation view of the package shown in FIG. 14;
FIG. 17 is a rear elevation view of the package shown in FIG. 14;
FIG. 18 is a right side view of the package shown in FIG. 14;
FIG. 19 is a left side view of the package, shown in FIG. 14;
FIG. 20 is a top perspective view of the package shown in FIG. 14;

(Continued)

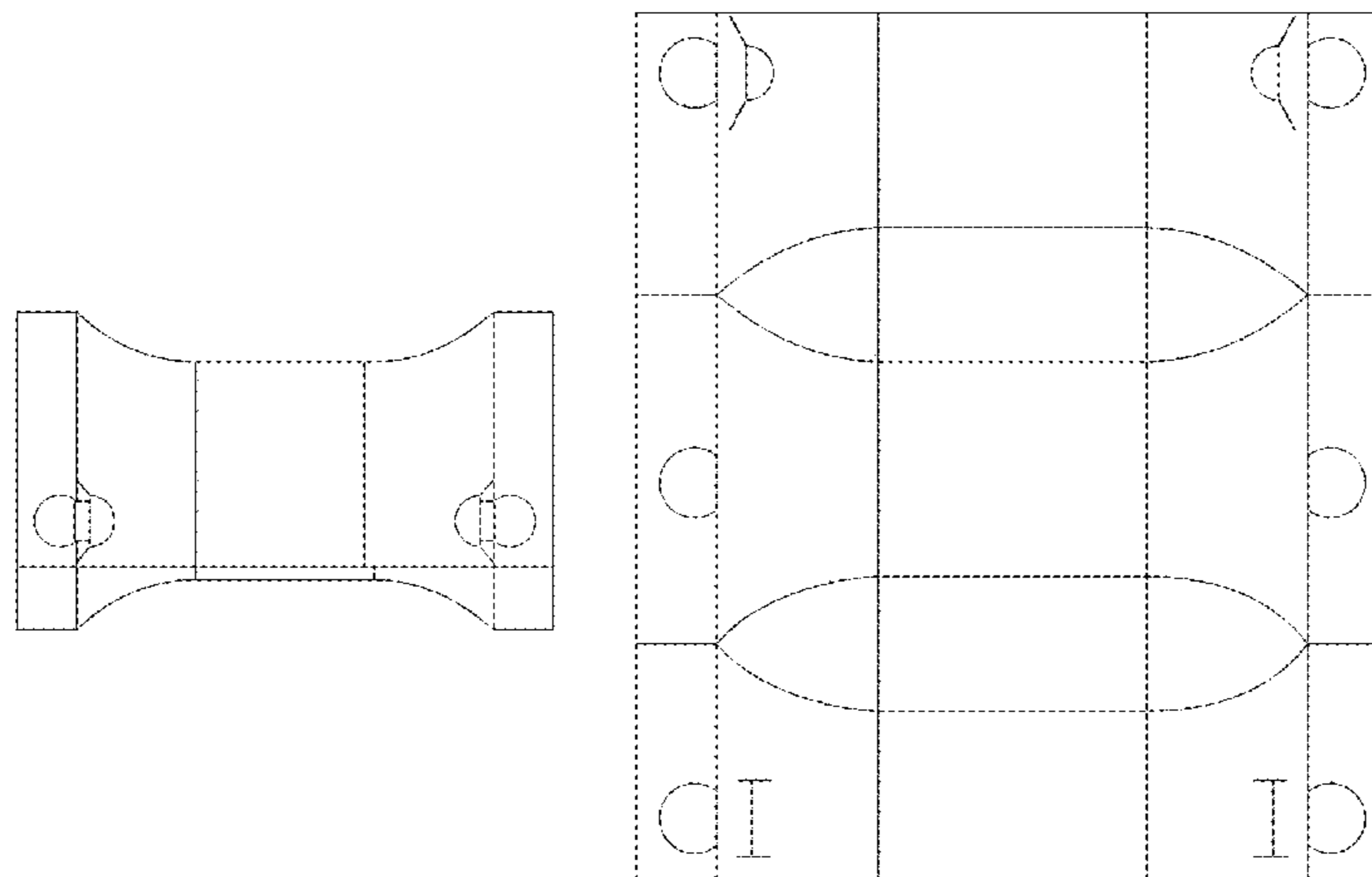


FIG. 21 is a top perspective view of the package shown in FIG. 14;
 FIG. 22 is a top perspective view of the package shown in FIG. 14;
 FIG. 23 is a bottom perspective view of the package shown in FIG. 14;
 FIG. 24 is a bottom perspective view of the package shown in FIG. 14;
 FIG. 25 is a bottom perspective view of the package shown in FIG. 14;
 FIG. 26 is a top plan view of the package shown in FIG. 14 illustrating the package in an unfolded orientation;
 FIG. 27 is a top plan view of a package showing a third embodiment of the new design;
 FIG. 28 is a bottom plan view of the package shown in FIG. 27;
 FIG. 29 is a front elevation view of the package shown in FIG. 27;
 FIG. 30 is a rear elevation view of the package shown in FIG. 27;
 FIG. 31 is a right side view of the package shown in FIG. 27;
 FIG. 32 is a left side view of the package shown in FIG. 27;
 FIG. 33 is a top perspective view of the package shown in FIG. 27;
 FIG. 34 is a top perspective view of the package shown in FIG. 27;
 FIG. 35 is a top perspective view of the package shown in FIG. 27;
 FIG. 36 is a bottom perspective view of the package shown in FIG. 27;
 FIG. 37 is a bottom perspective view of the package shown in FIG. 27;
 FIG. 38 is a bottom perspective view of the package shown in FIG. 27;
 FIG. 39 is a top plan view of the package shown in FIG. 27 illustrating the package in an unfolded orientation;
 FIG. 40 is a top plan view of a package showing a fourth embodiment of the new design;
 FIG. 41 is a bottom plan view of the package shown in FIG. 40;
 FIG. 42 is a front elevation view of the package shown in FIG. 40;
 FIG. 43 is a rear elevation view of the package shown in FIG. 40;
 FIG. 44 is a right side view of the package shown in FIG. 40;
 FIG. 45 is a left side view of the package shown in FIG. 40;
 FIG. 46 is a top perspective view of the package shown in FIG. 40;
 FIG. 47 is a top perspective view of the package shown in FIG. 40;
 FIG. 48 is a top perspective view of the package shown in FIG. 40;
 FIG. 49 is a bottom perspective view of the package shown in FIG. 40;
 FIG. 50 is a bottom perspective view of the package shown in FIG. 40;
 FIG. 51 is a bottom perspective view of the package shown in FIG. 40; and,

FIG. 52 is a top plan view of the package shown in FIG. 40 illustrating the package in an unfolded orientation.

1 Claim, 16 Drawing Sheets

(58) **Field of Classification Search**

USPC D19/3, 26, 27, 101; 229/68.1, 87.08, 229/87.11, 87.5; 383/26, 38, 42-99, 127
 CPC ... B65D 1/00; B65D 7/00; B65D 9/00; B65D 11/00; B65D 13/00; B65D 15/00; B65D 75/00; B42F 1/00

See application file for complete search history.

(56) **References Cited**

U.S. PATENT DOCUMENTS

5,094,385	A	3/1992	Antczak et al.	
5,358,174	A	10/1994	Antczak et al.	
D377,946	S *	2/1997	French	D19/3
D392,564	S *	3/1998	Silver	D9/432
D401,274	S *	11/1998	Sills	D19/26
D422,210	S *	4/2000	Sturkie	D9/707
D452,147	S *	12/2001	Patel	D9/415
D458,120	S *	6/2002	Knoerzer	229/87.01
D462,007	S *	8/2002	Spinoy	D9/415
D468,196	S *	1/2003	Graham	D9/707
D470,755	S *	2/2003	Espinel	D9/707
D470,756	S *	2/2003	Espinel	D9/707
D470,757	S *	2/2003	Espinel	D9/707
D486,730	S *	2/2004	Rasmussen	D9/705
D492,594	S *	7/2004	Nash	D9/415
D531,021	S *	10/2006	Ashby	D9/415
D531,494	S *	11/2006	Papiri	D9/415
D541,647	S *	5/2007	Ashby	D9/415
D543,102	S *	5/2007	Ashby	D9/415
D545,216	S *	6/2007	O'Keefe	D9/707
D586,389	S *	2/2009	Schaaf	D19/26
D617,654	S *	6/2010	Tawinsook	D9/702
D628,059	S *	11/2010	Perkins-Stanaford	D9/418
D643,745	S *	8/2011	Hartley	D9/707
D684,468	S *	6/2013	Macaulay	D9/434
D694,647	S *	12/2013	Hermes	D9/702
D703,547	S *	4/2014	France	D9/703
D720,214	S *	12/2014	De Pietri Tonelli	D9/433
D724,441	S *	3/2015	Fukuda	D9/707
D730,195	S *	5/2015	Gonlag	D9/703
D740,688	S *	10/2015	Otsuka	D9/702
D744,851	S *	12/2015	Monforton	D9/702
D752,432	S *	3/2016	Brown	D9/430
D757,534	S *	5/2016	Matsuura	D9/415
D764,933	S *	8/2016	Latshaw	D9/702
D764,934	S *	8/2016	Latshaw	D9/702
D764,935	S *	8/2016	Latshaw	D9/702
D769,730	S *	10/2016	Andrus	D9/703
D787,311	S *	5/2017	Chang	D9/415
D790,360	S *	6/2017	Down	D9/702
D793,244	S *	8/2017	Shifflett	D9/703
D793,245	S *	8/2017	Cobler	D9/705
D793,246	S *	8/2017	Cobler	D9/705
D793,247	S *	8/2017	Cobler	D9/705
D793,248	S *	8/2017	Cobler	D9/705
D793,249	S *	8/2017	Cobler	D9/705

FOREIGN PATENT DOCUMENTS

GB	2229710	A	10/1990
GB	2342343	A	4/2000
WO	02087979	A2	11/2002

* cited by examiner

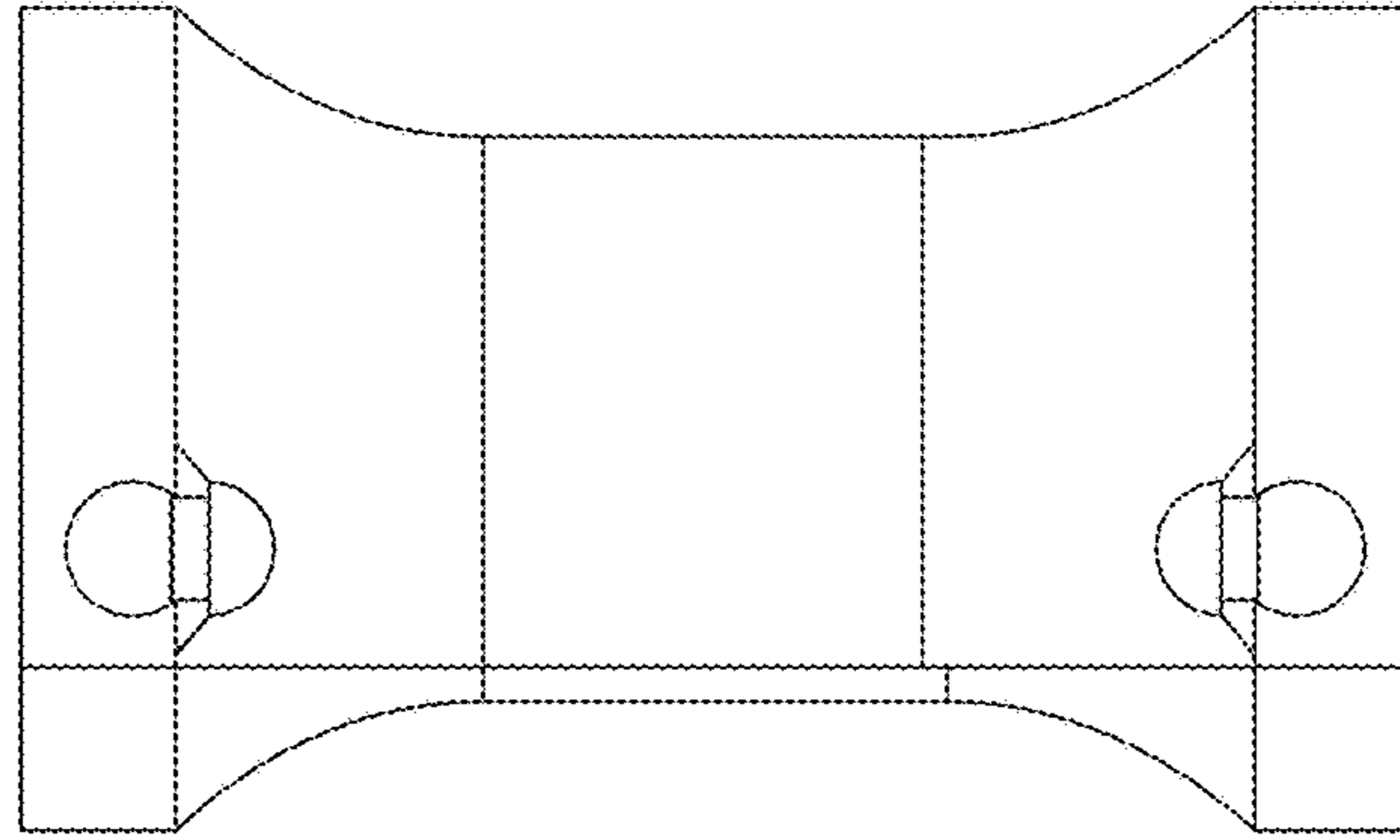


FIG. 1

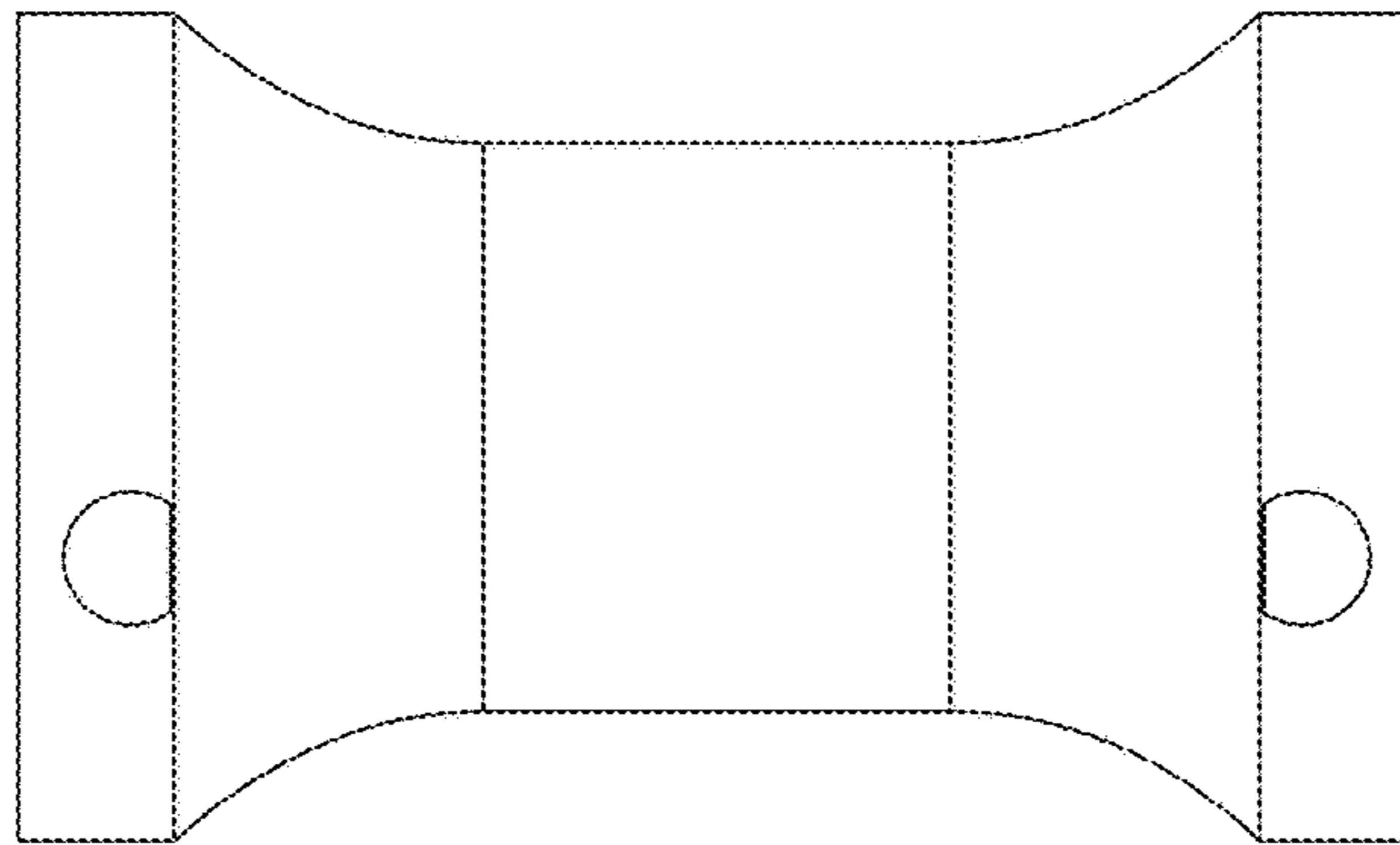


FIG. 2



FIG. 3



FIG. 4

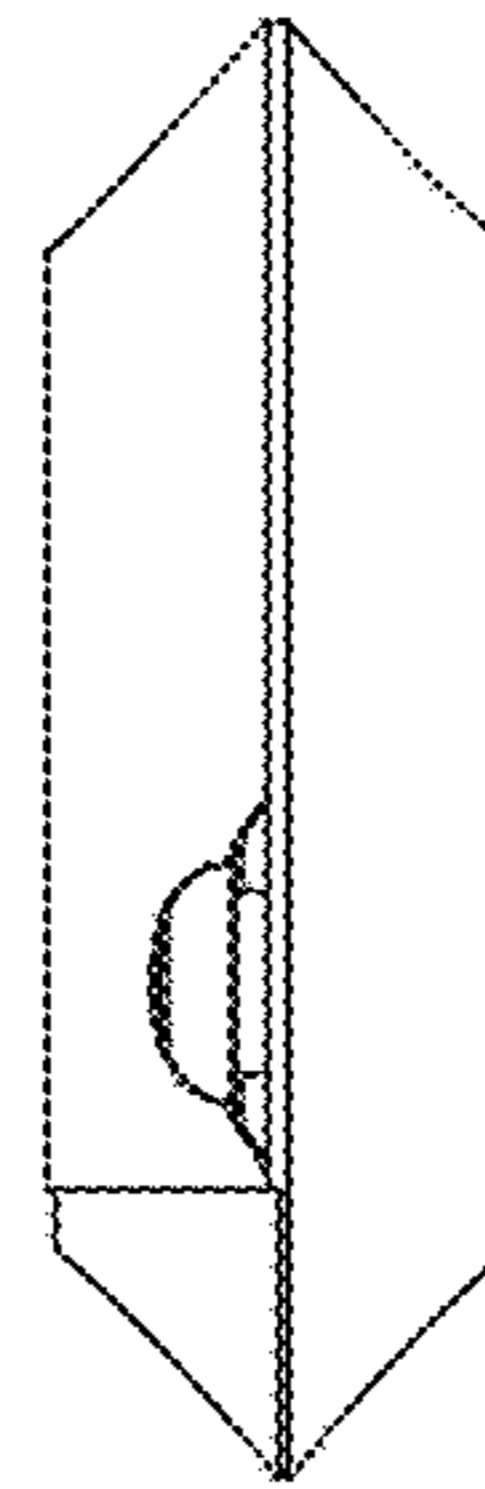


FIG. 5

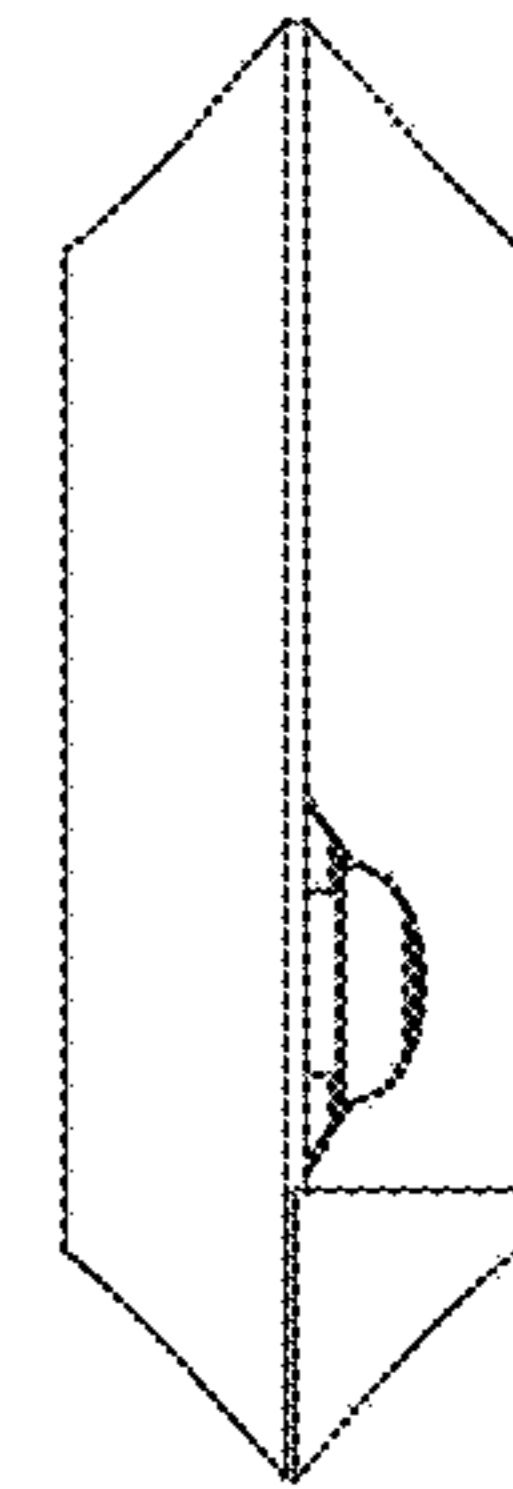


FIG. 6

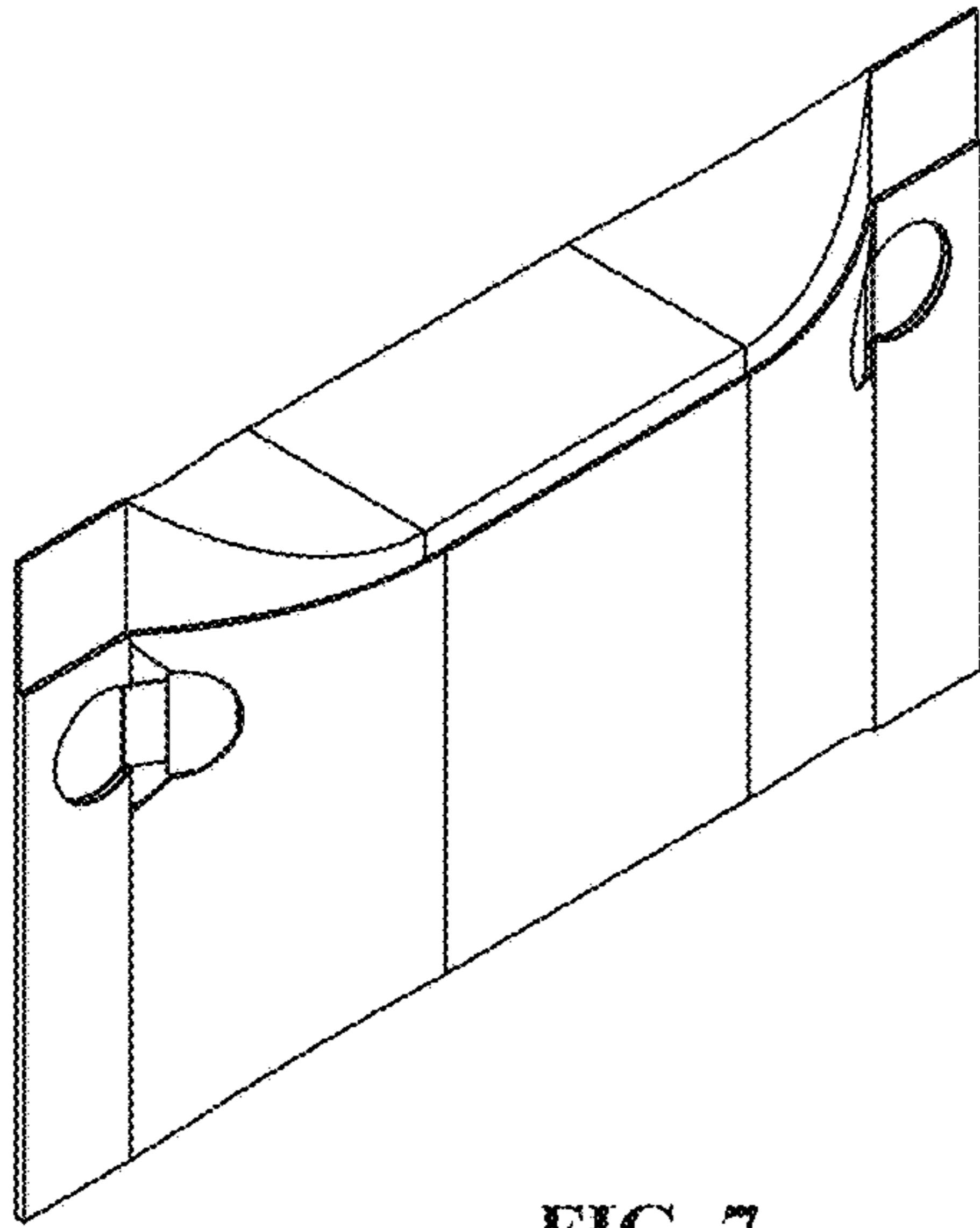


FIG. 7

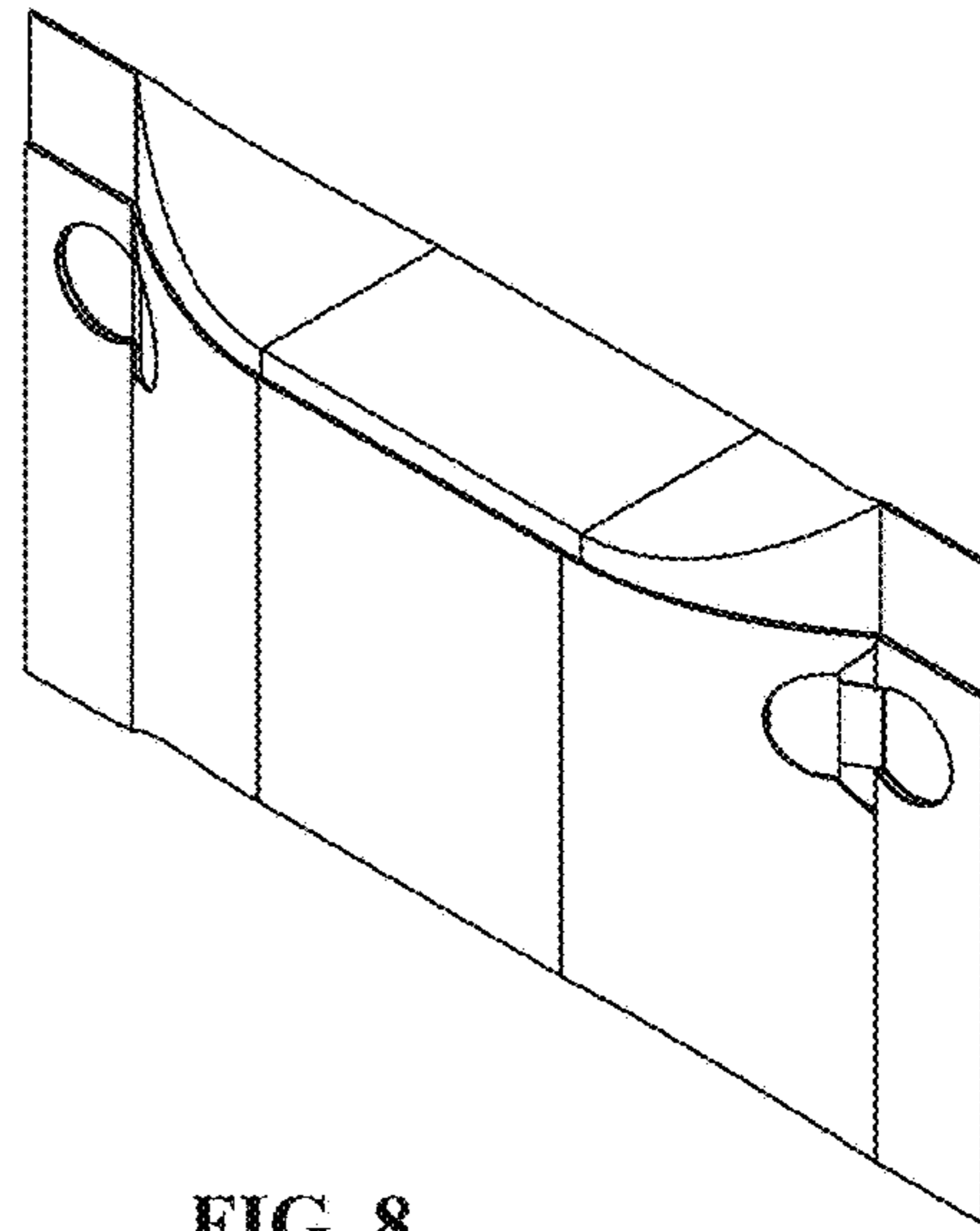


FIG. 8

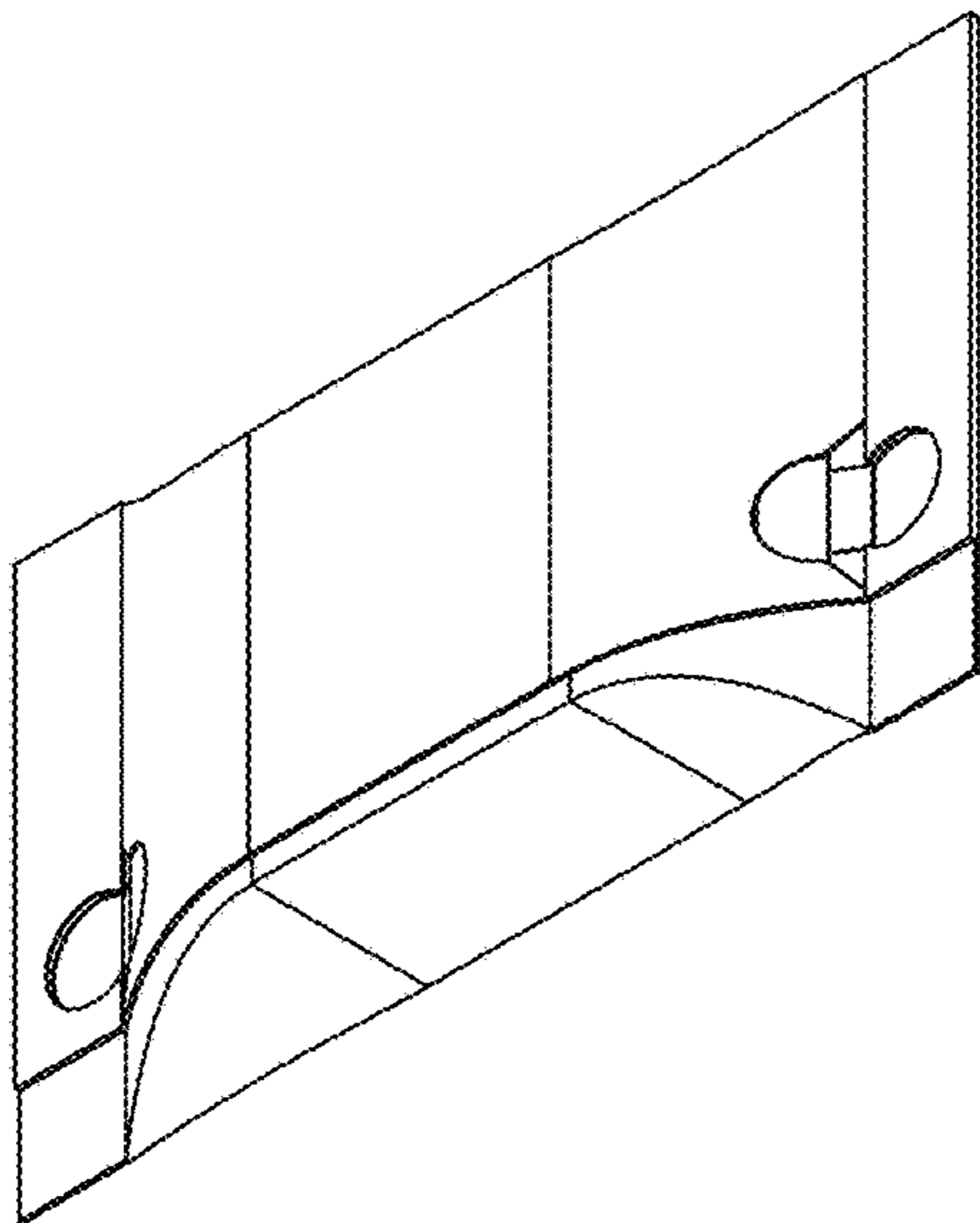


FIG. 9

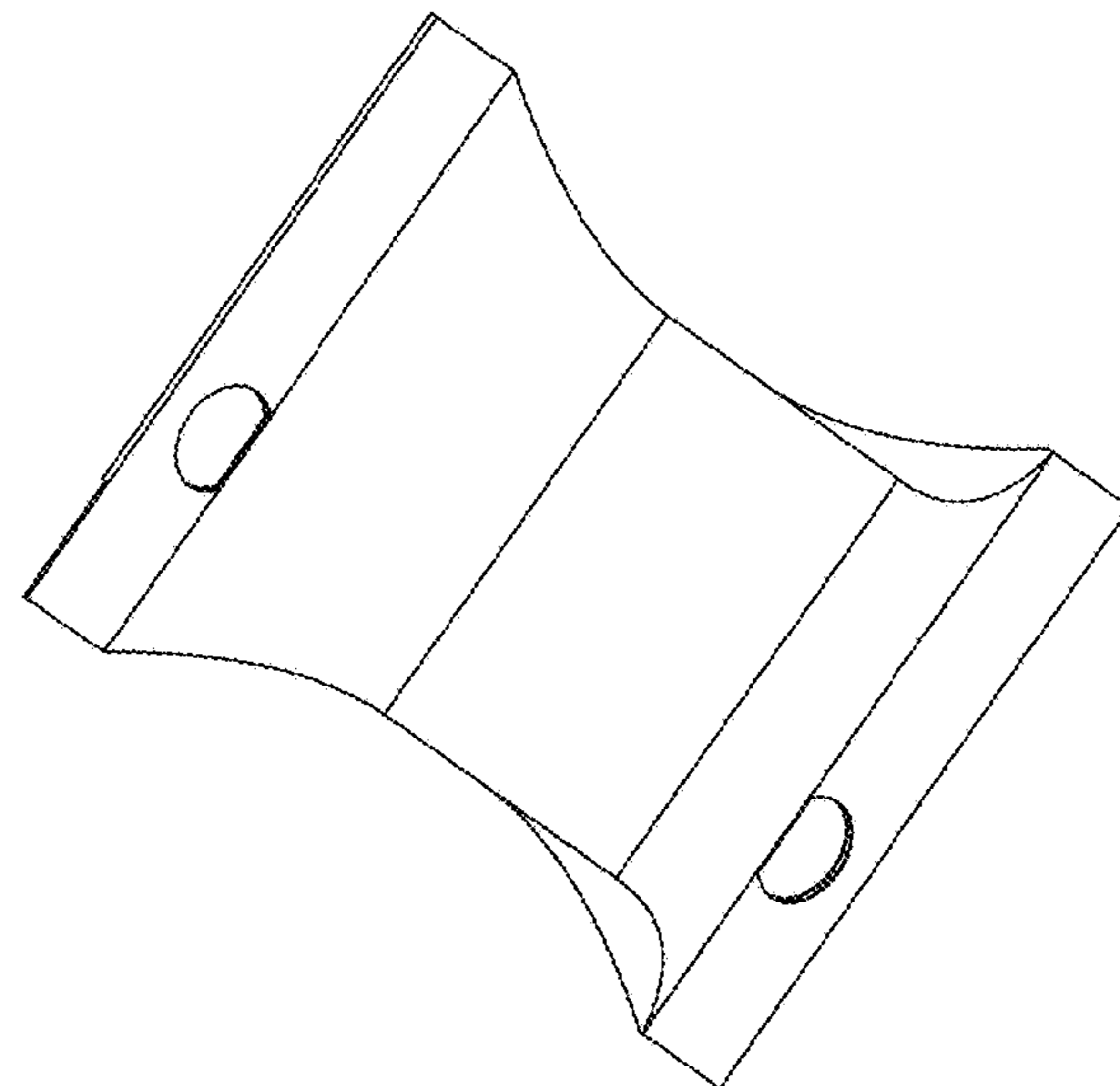


FIG. 10

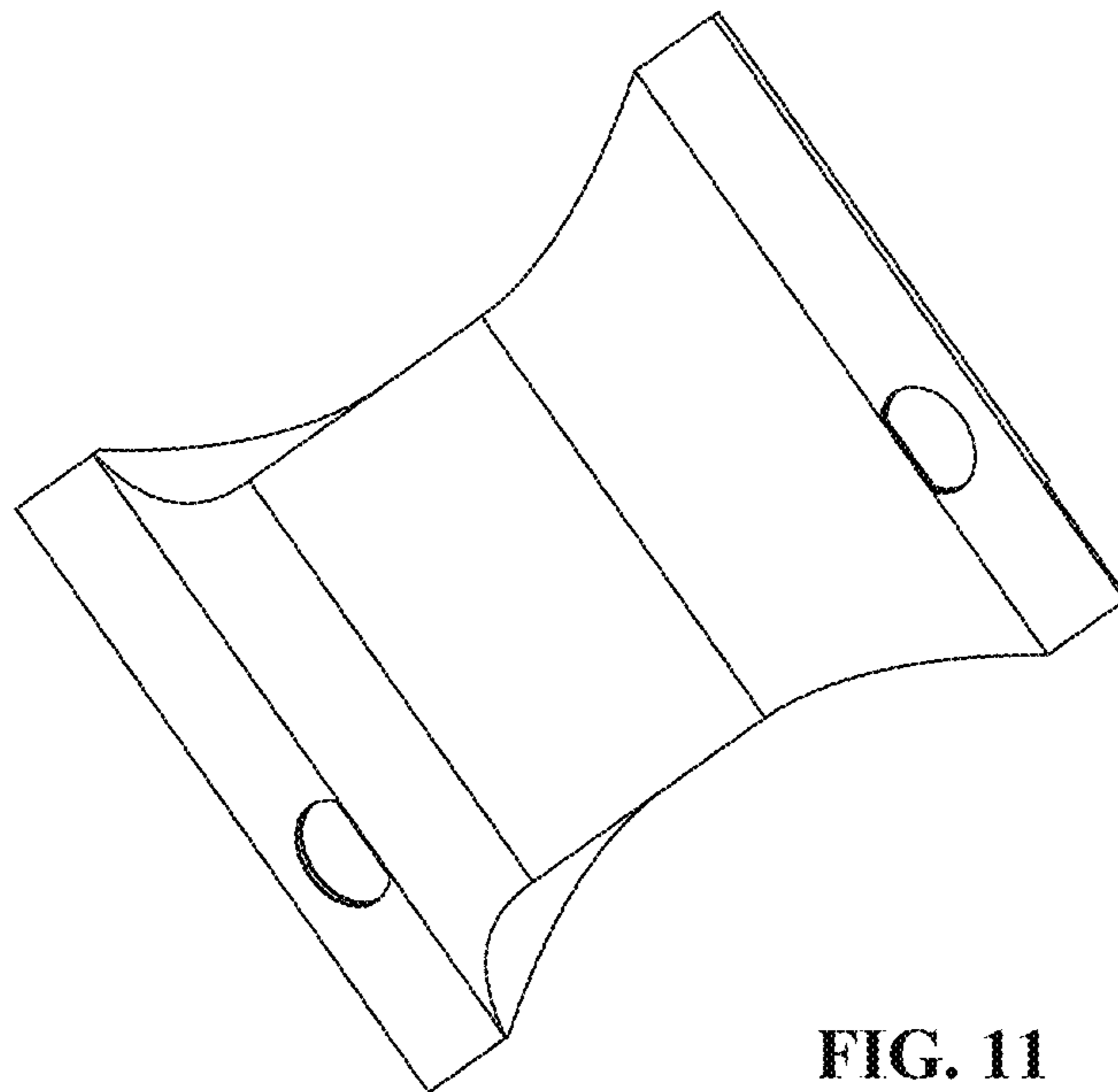


FIG. 11

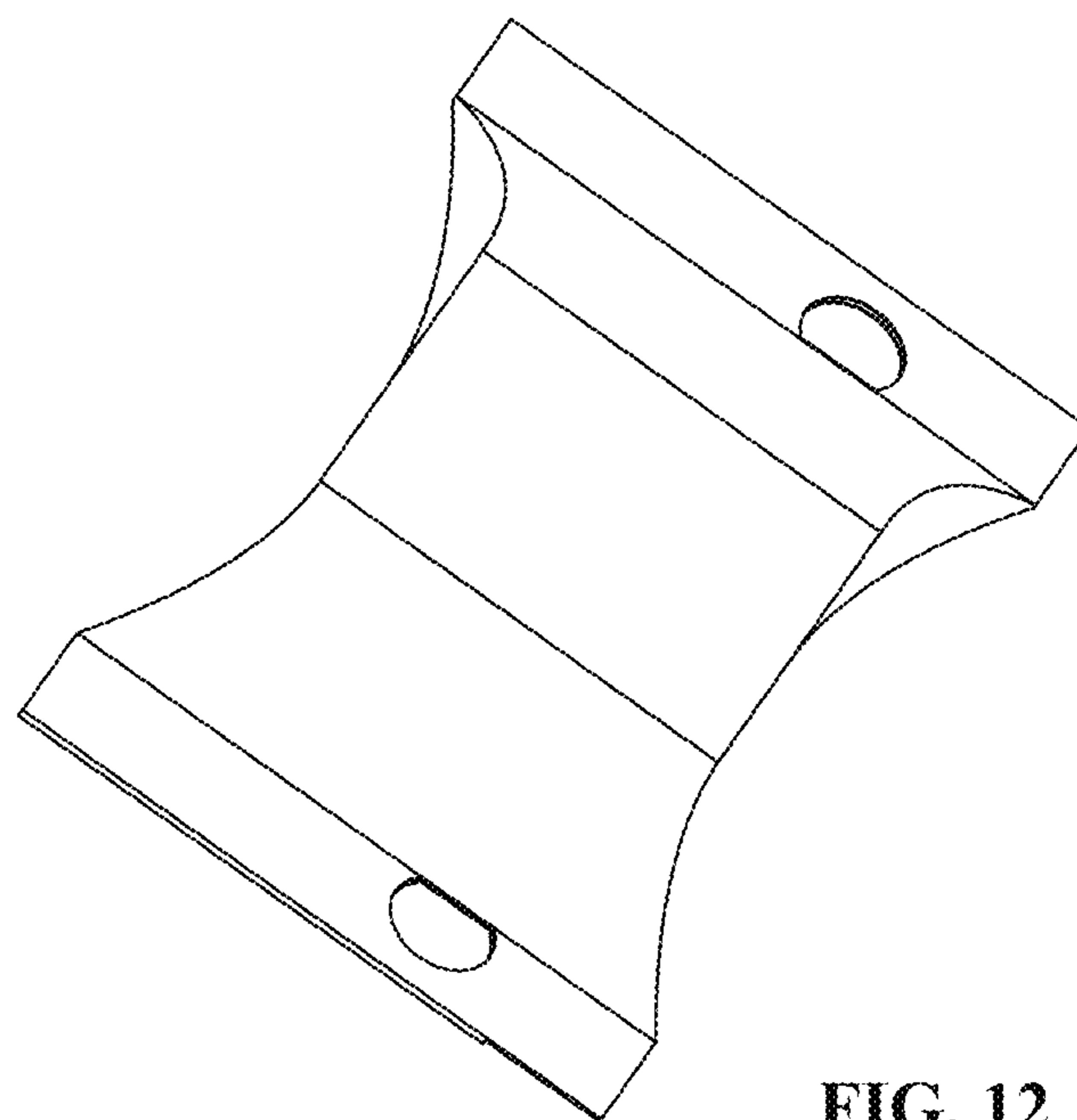


FIG. 12

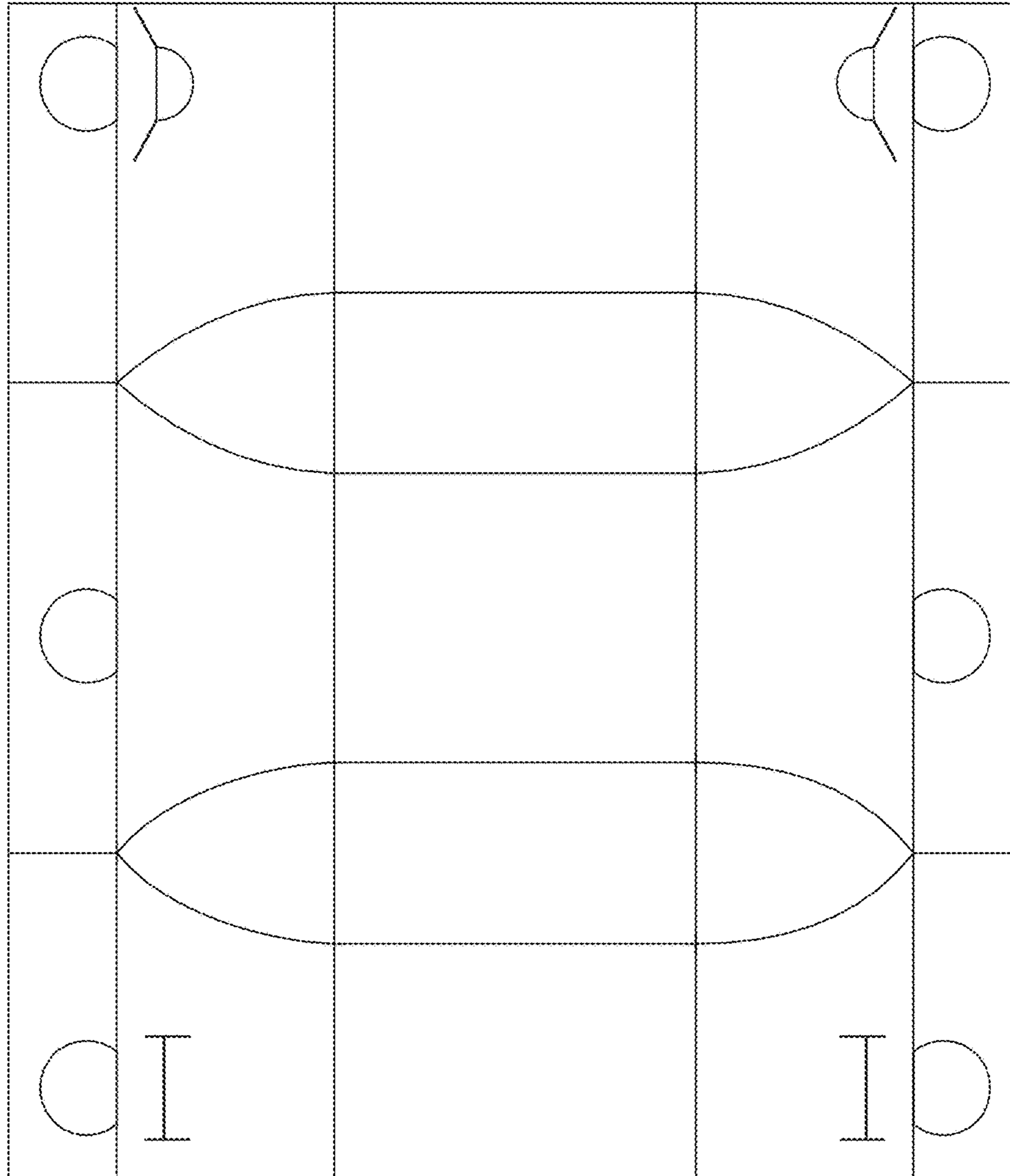


FIG. 13

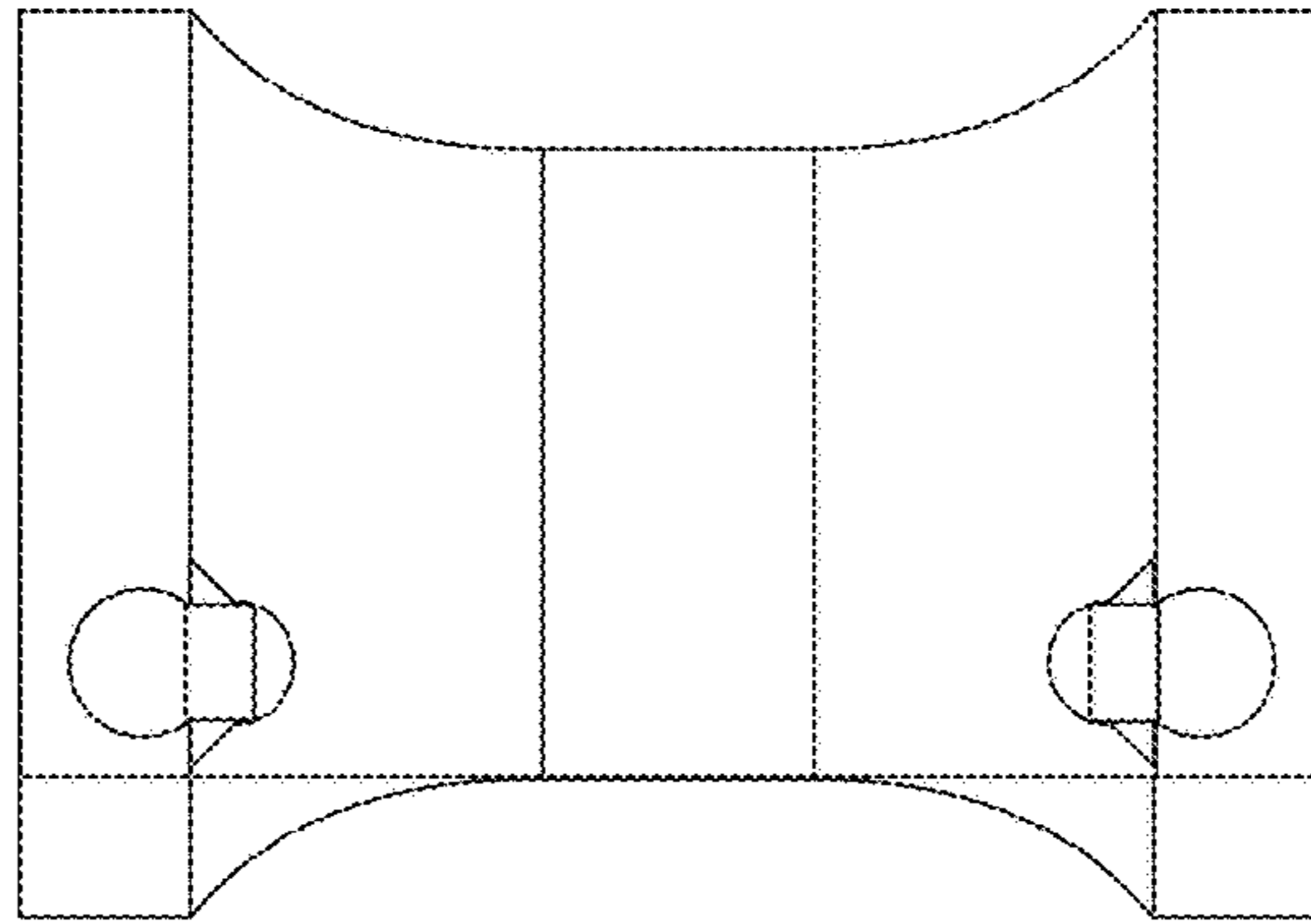


FIG. 14

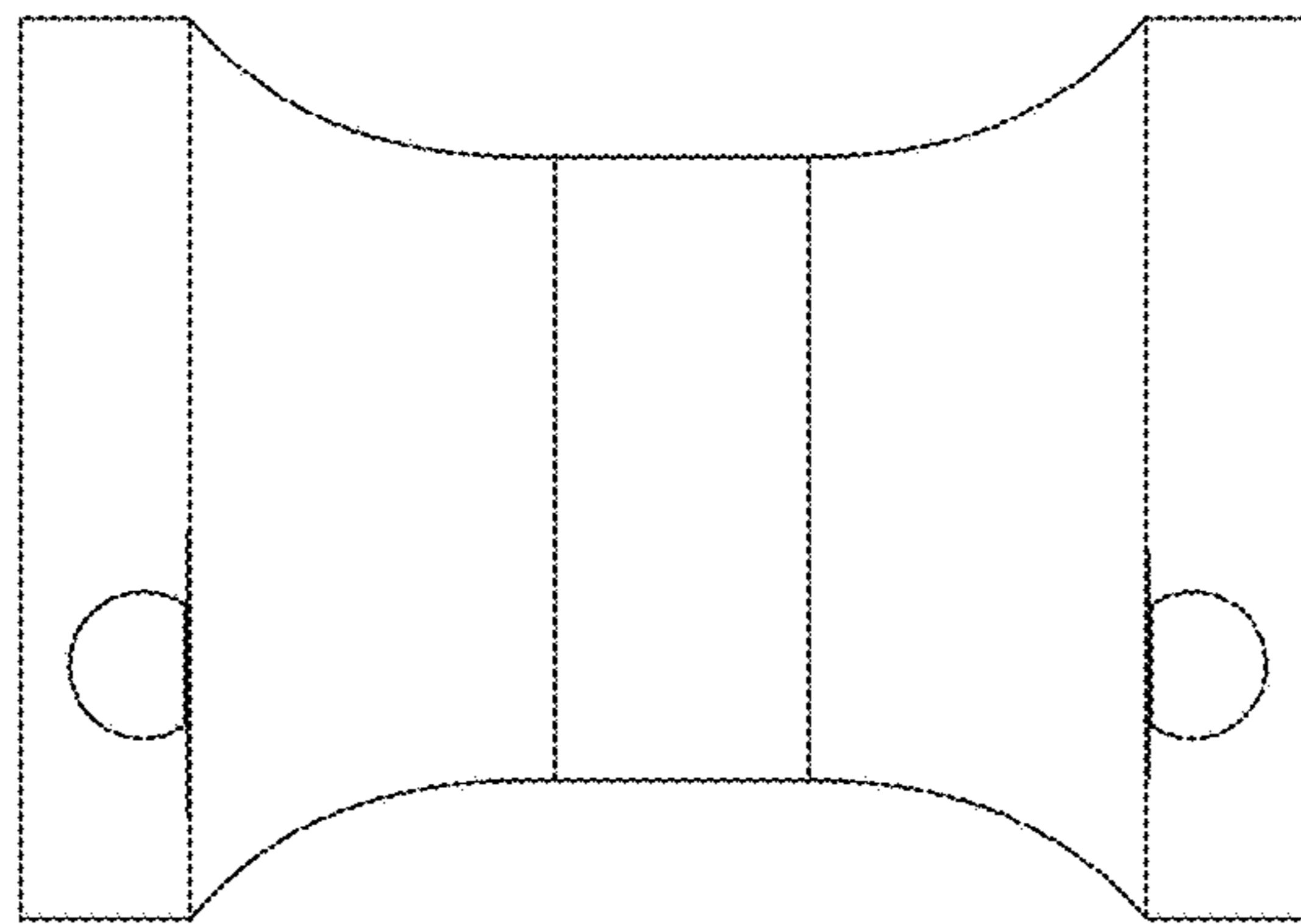


FIG. 15

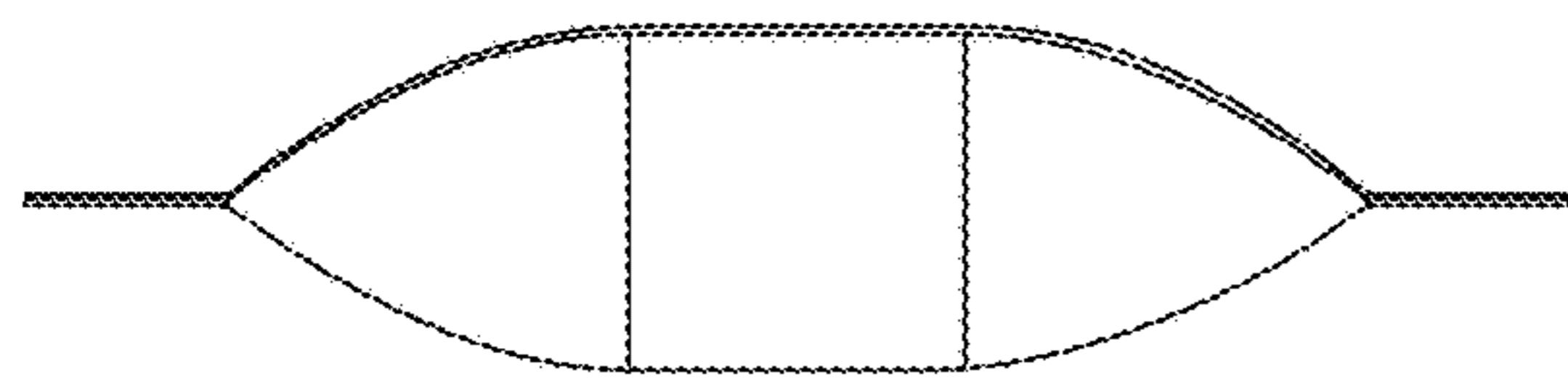


FIG. 16

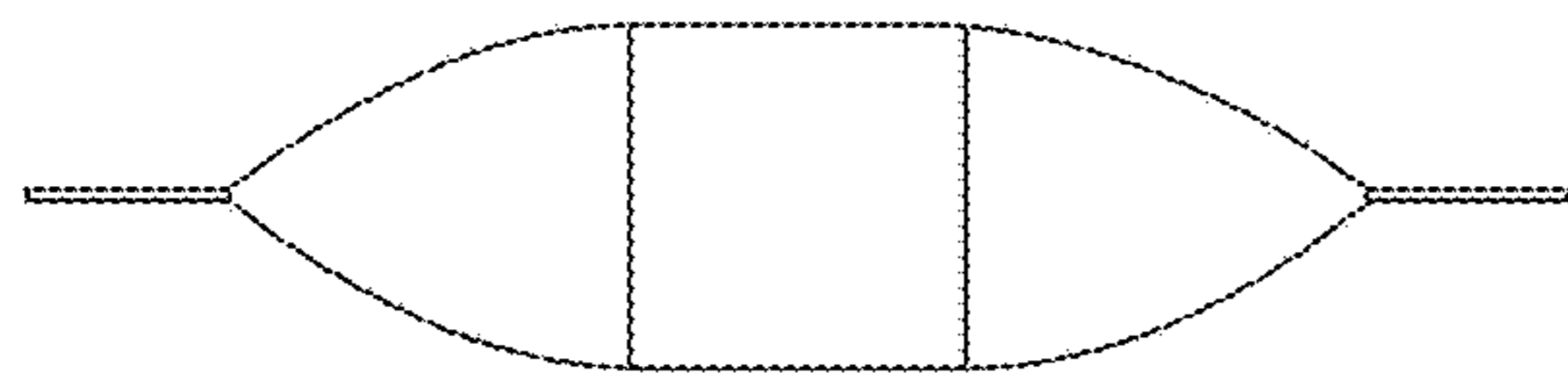


FIG. 17

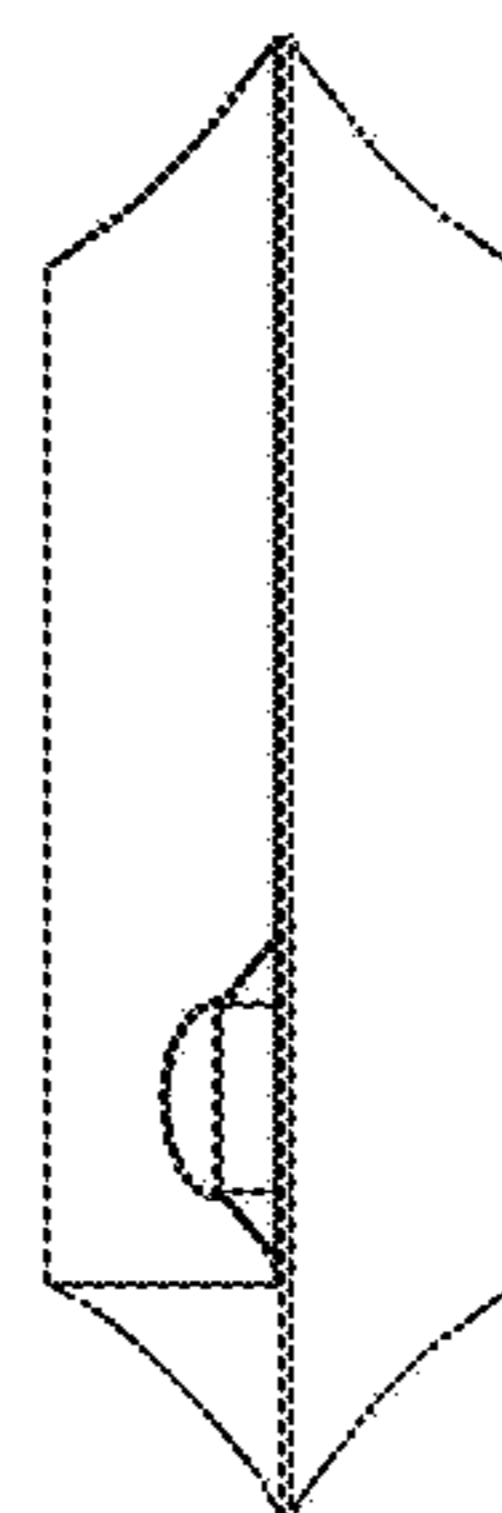


FIG. 18

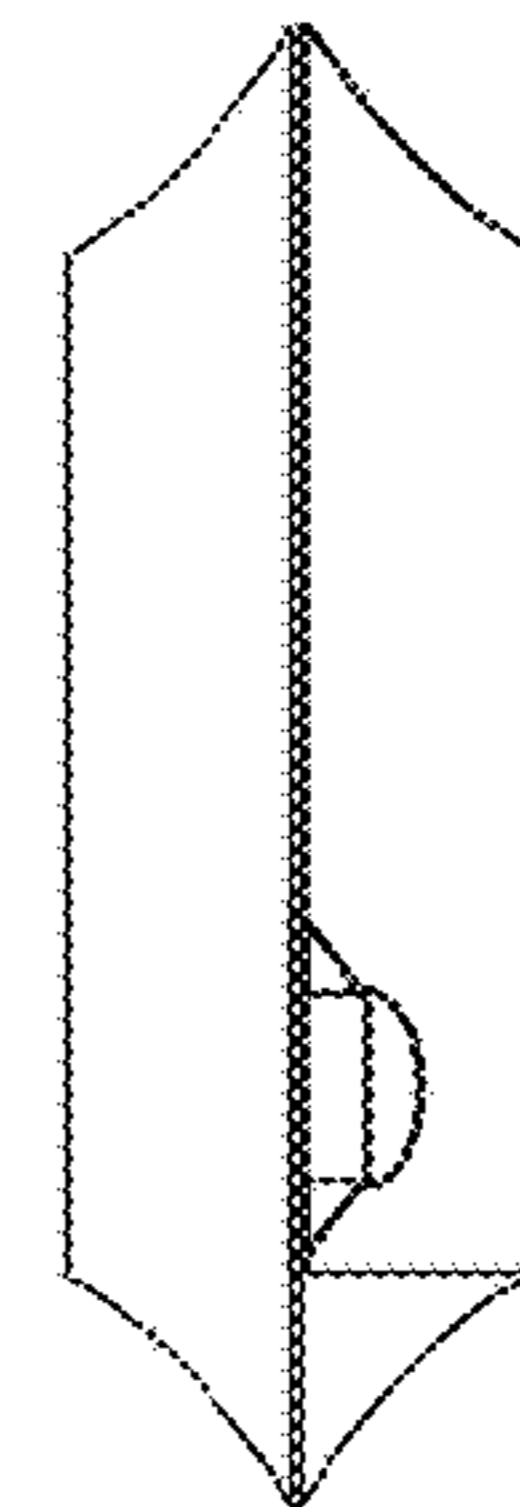


FIG. 19

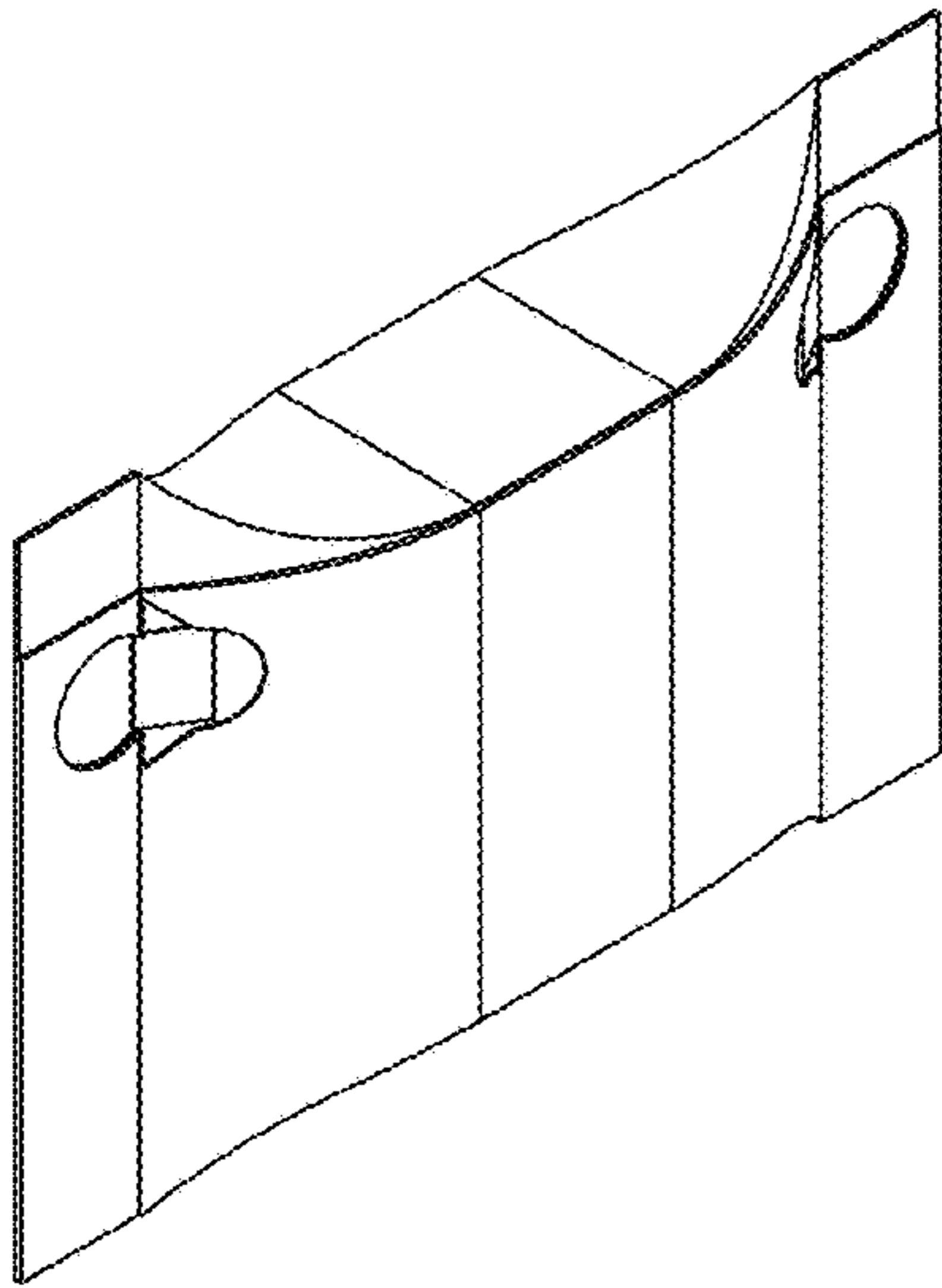


FIG. 20

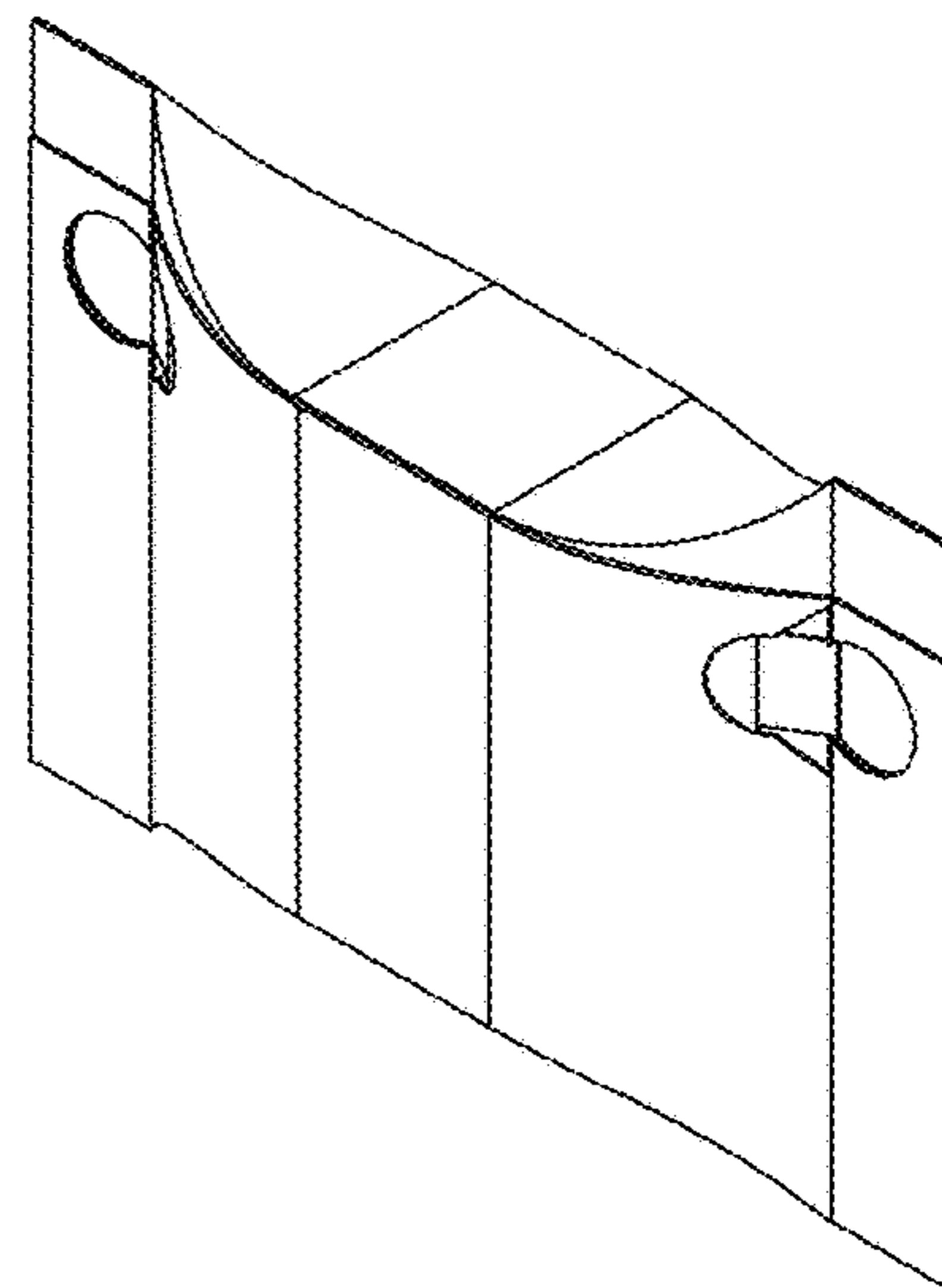


FIG. 21

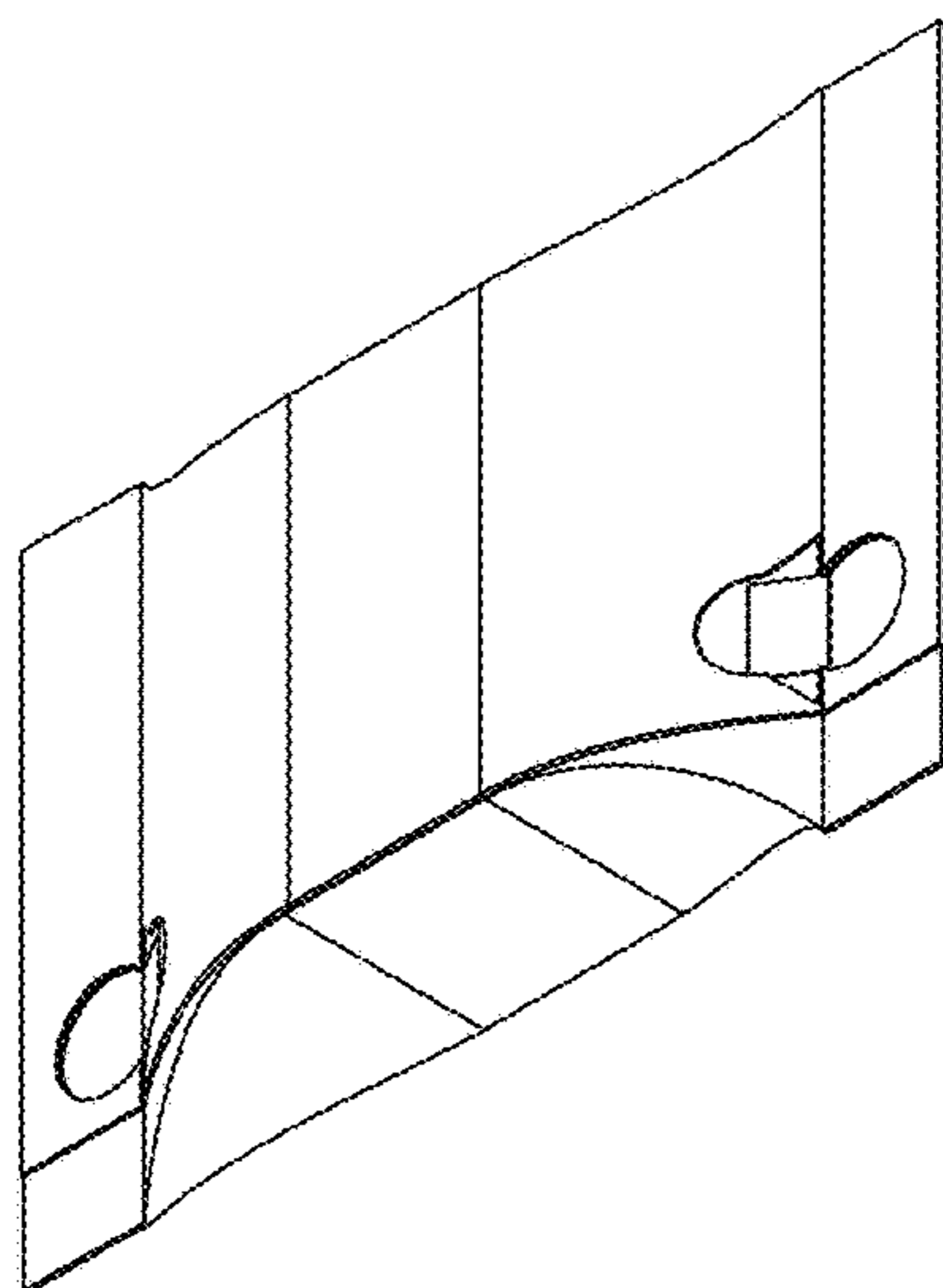


FIG. 22

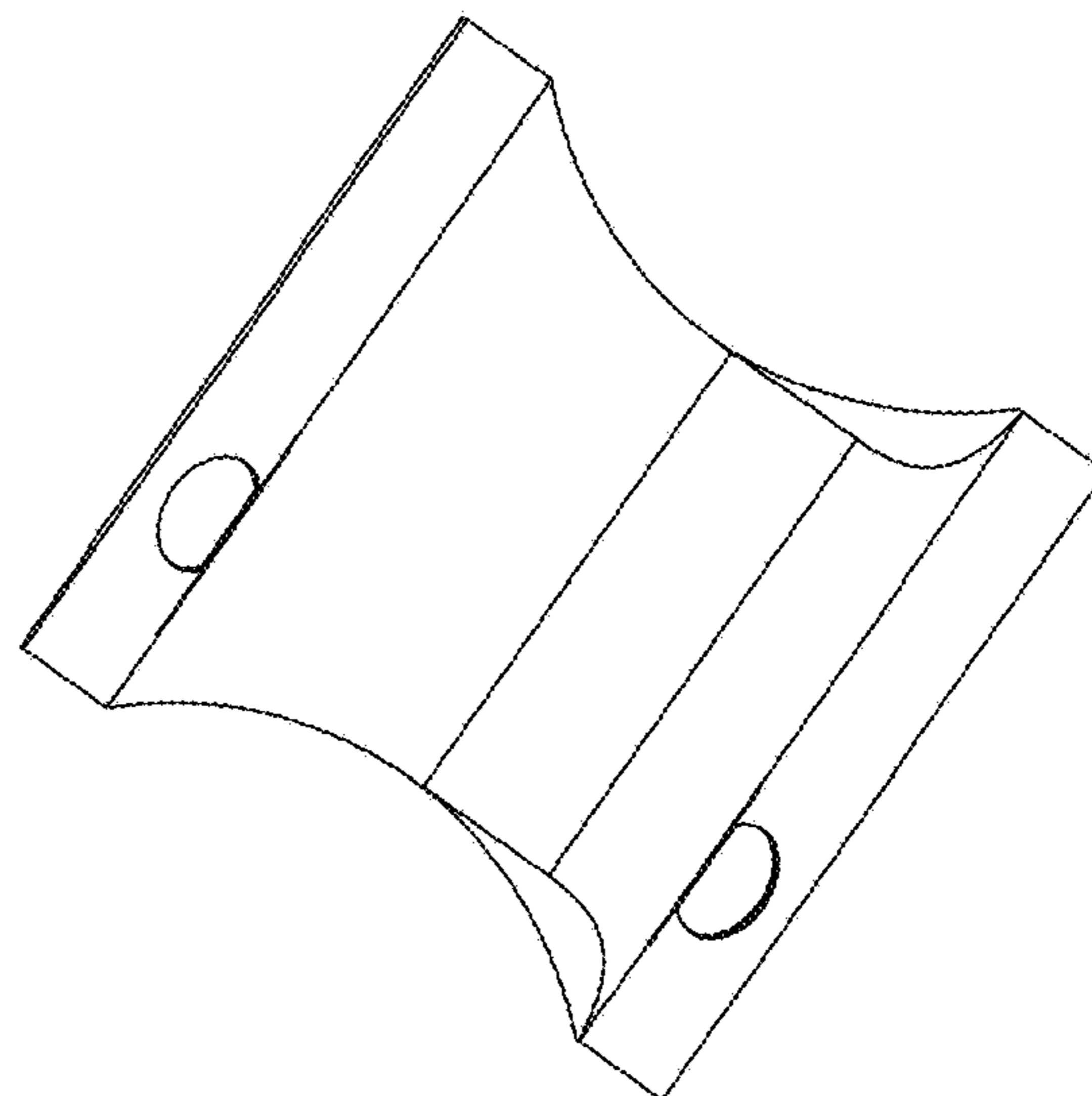


FIG. 23

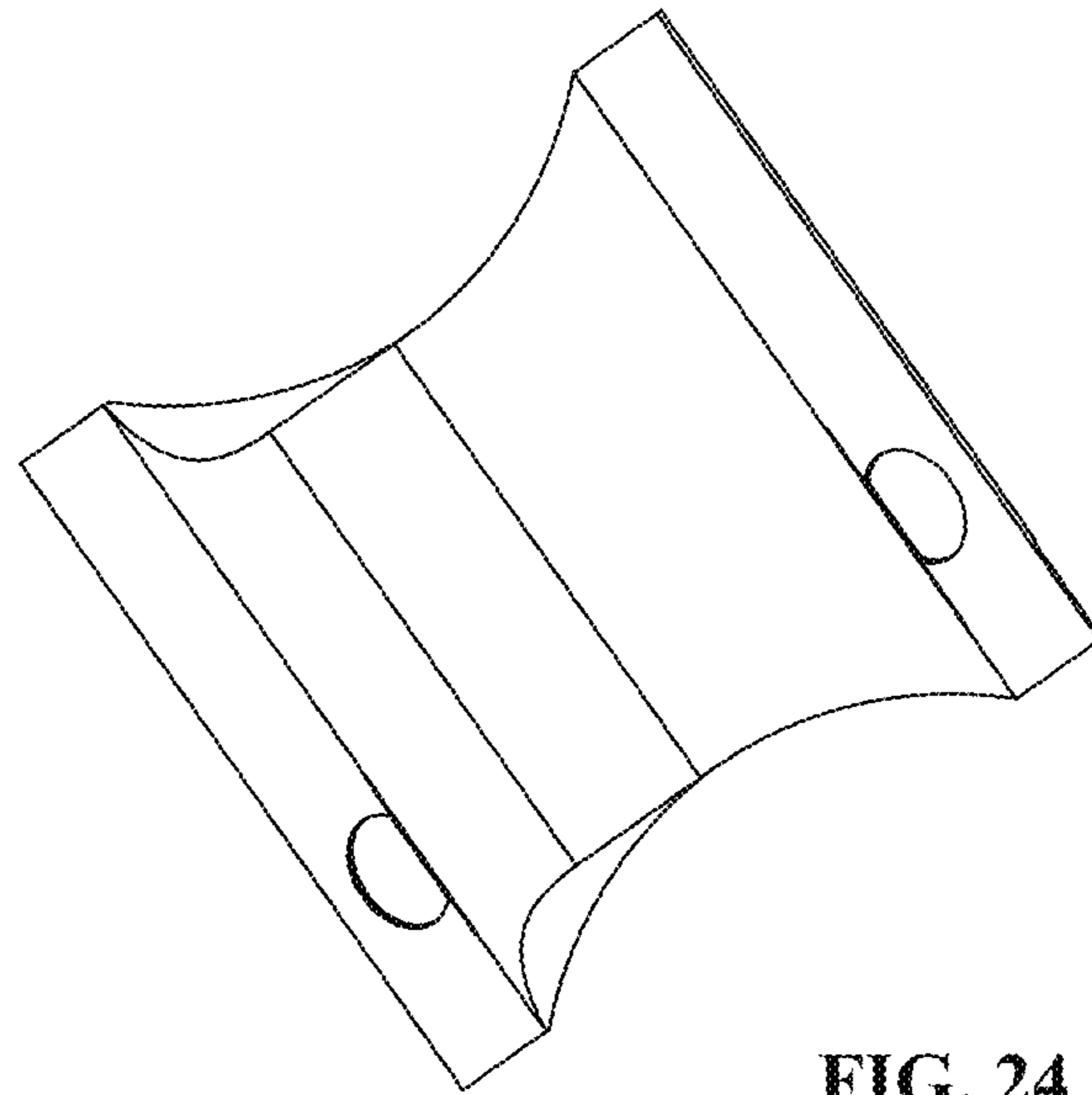


FIG. 24

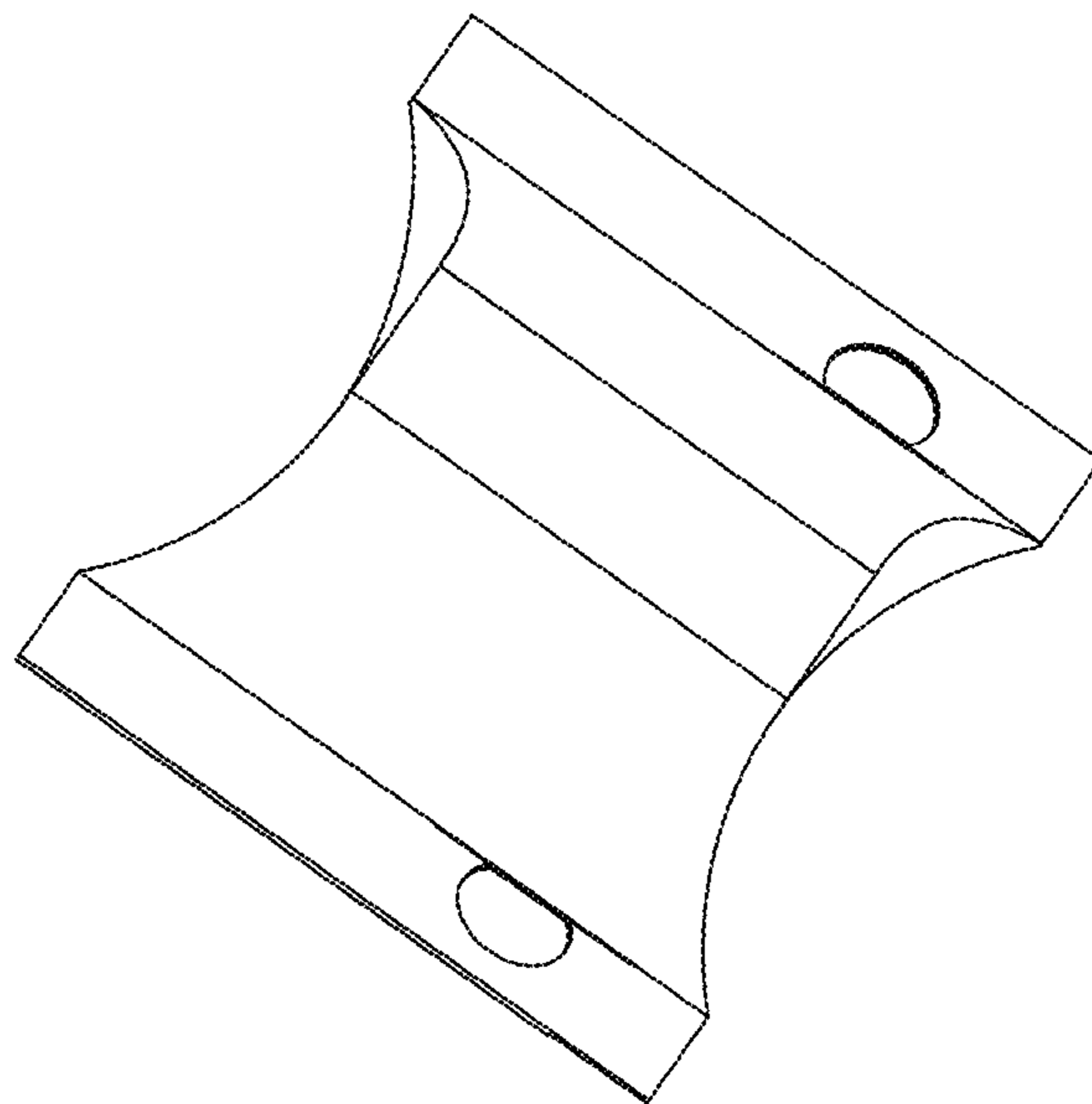


FIG. 25

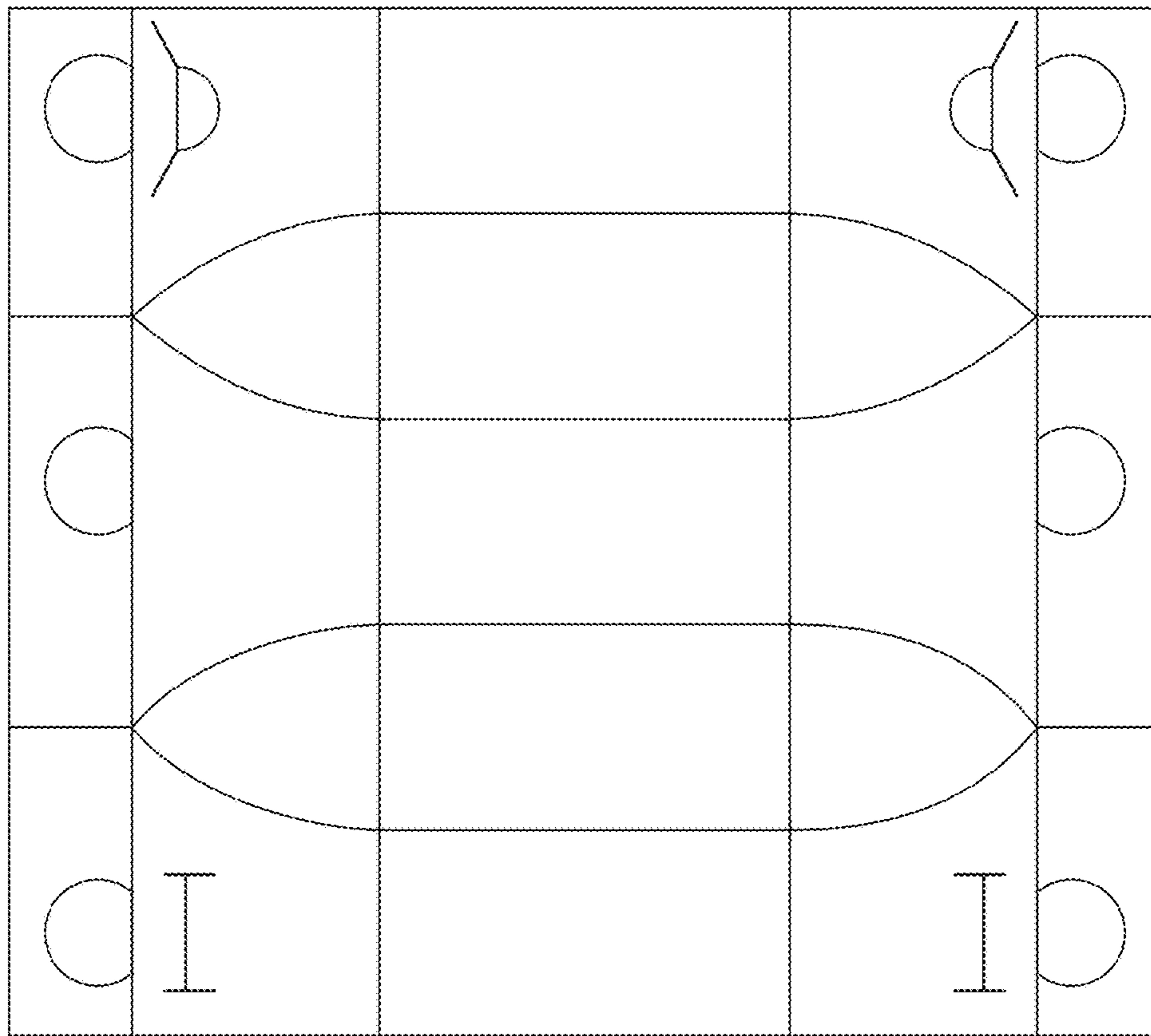


FIG. 26

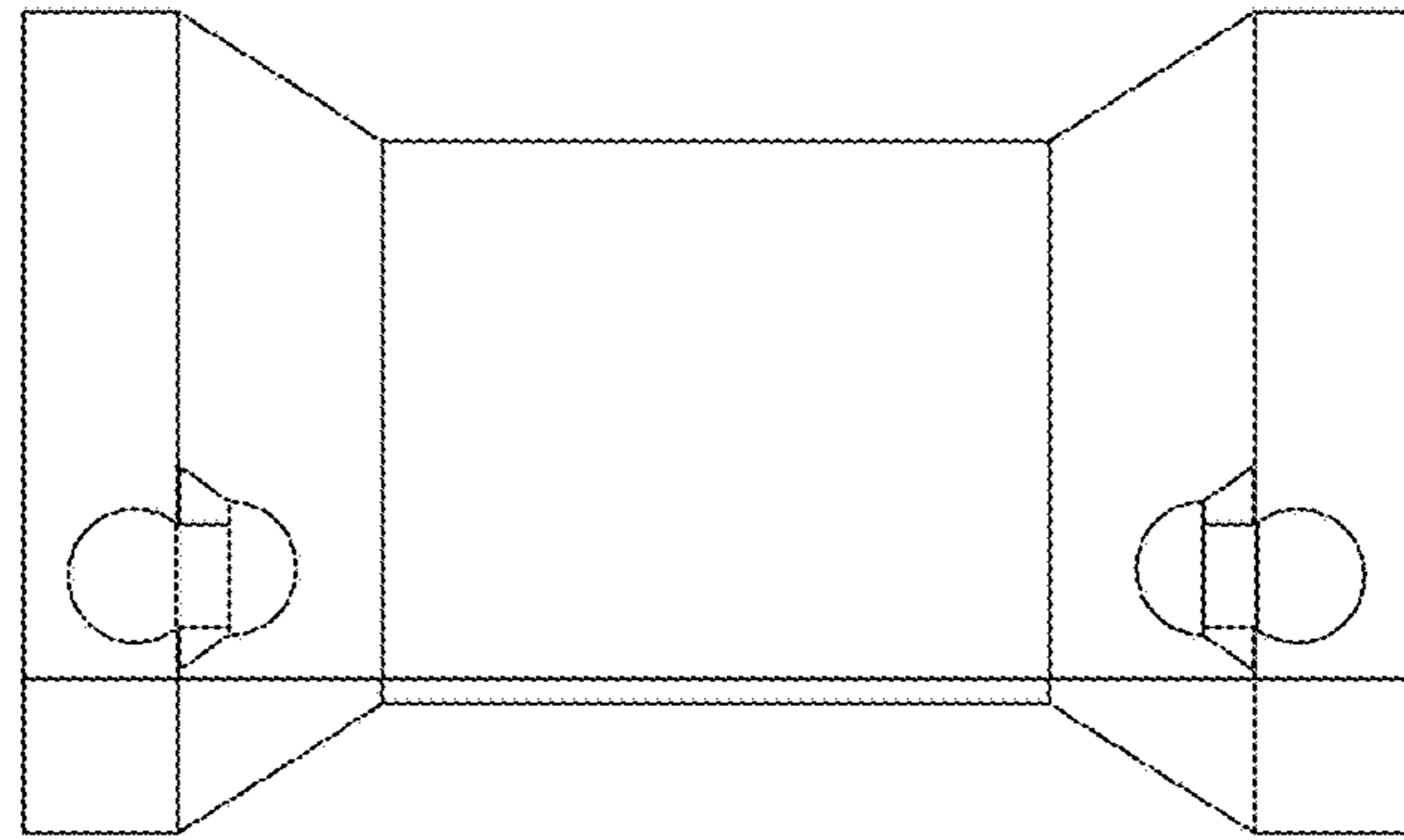


FIG. 27

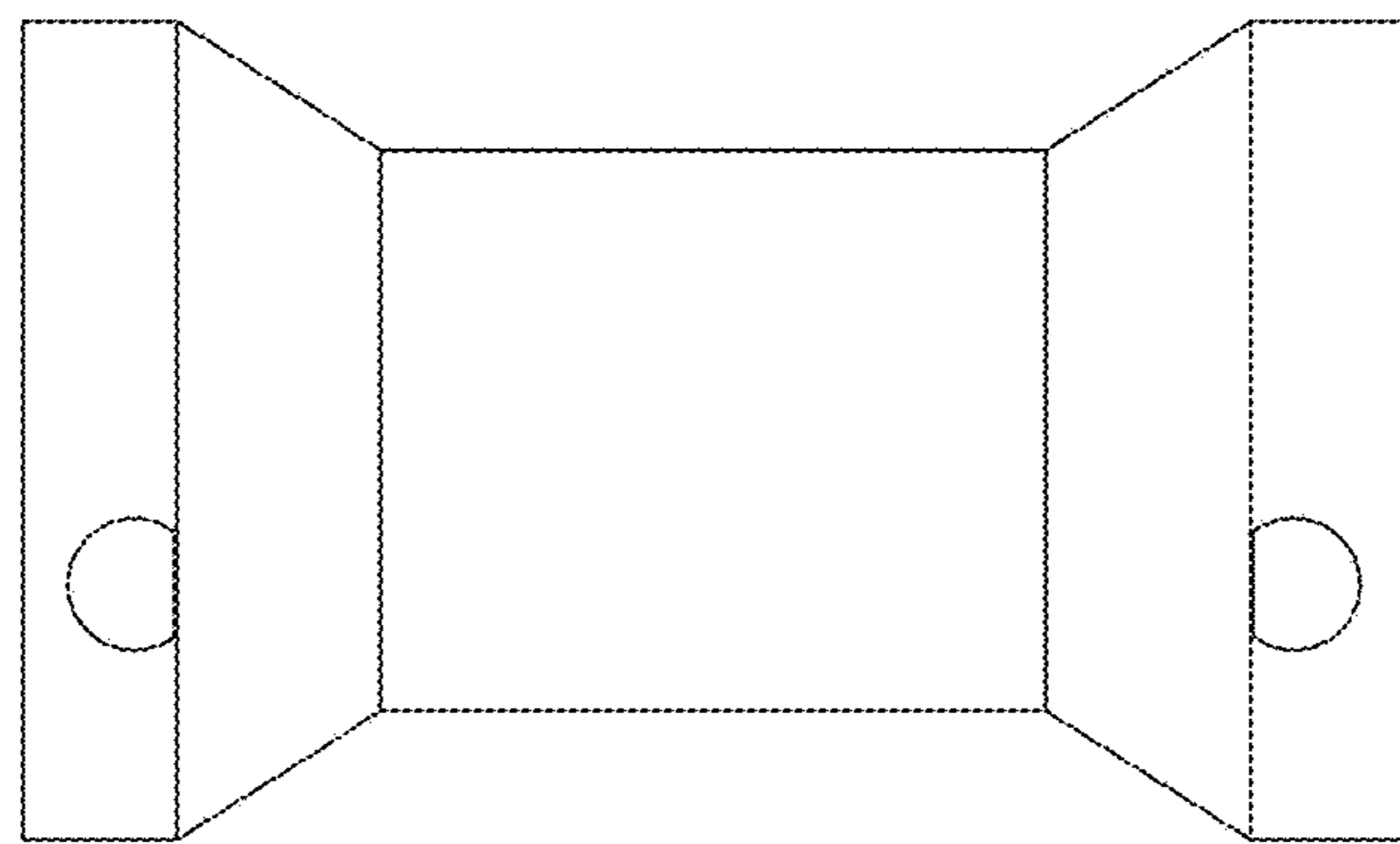


FIG. 28

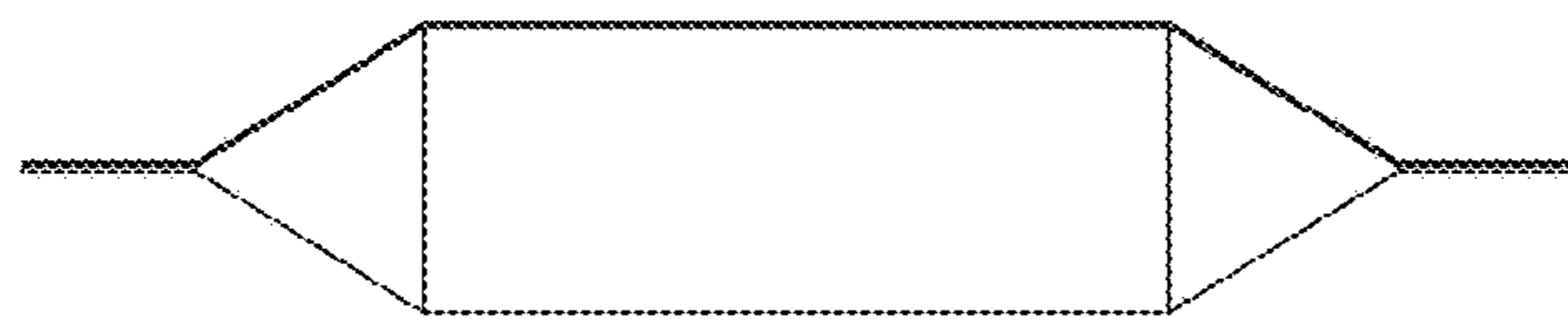


FIG. 29

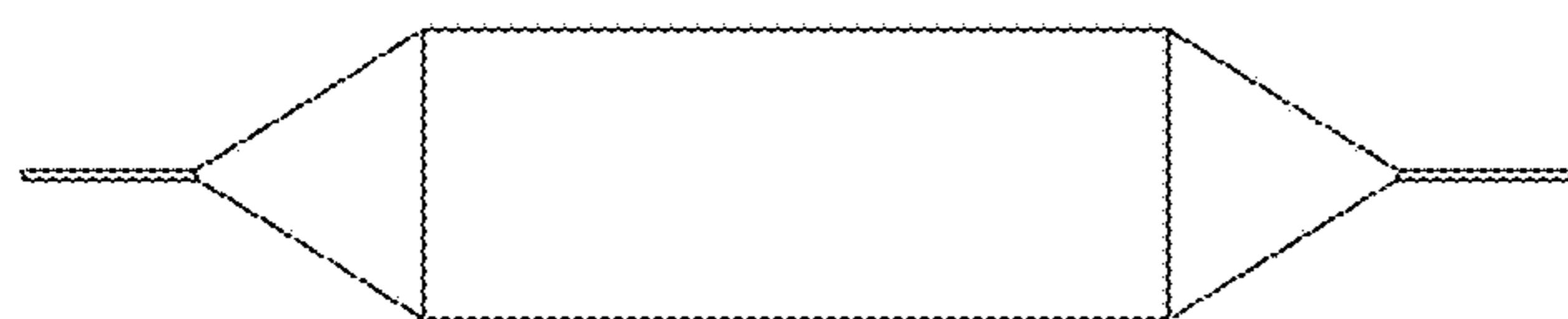


FIG. 30

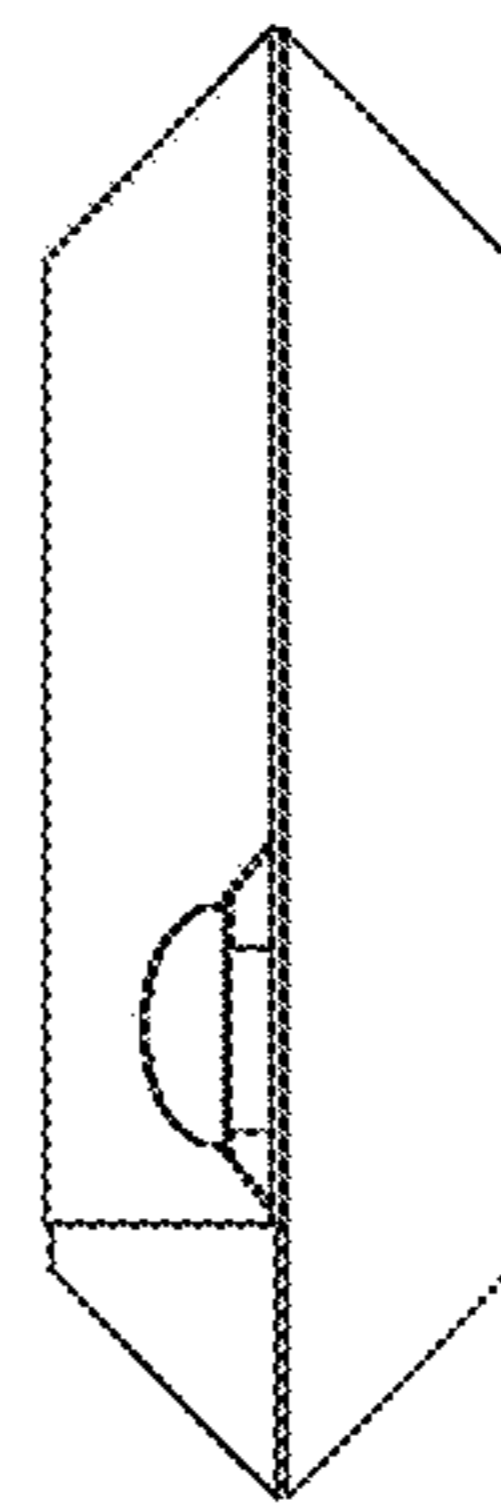


FIG. 31

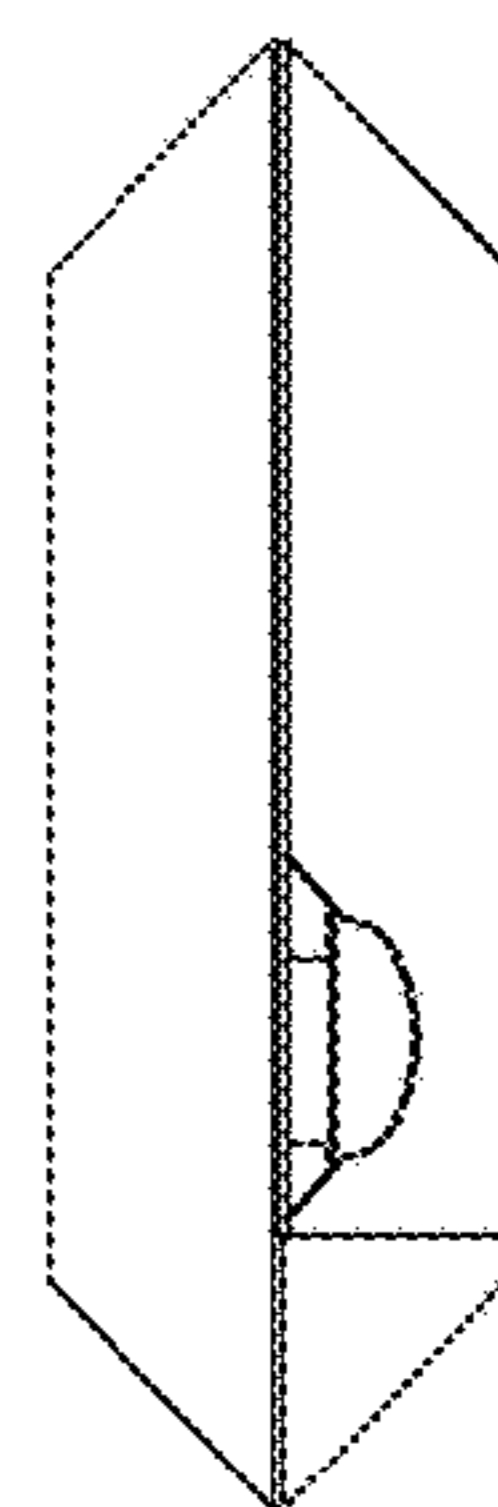


FIG. 32

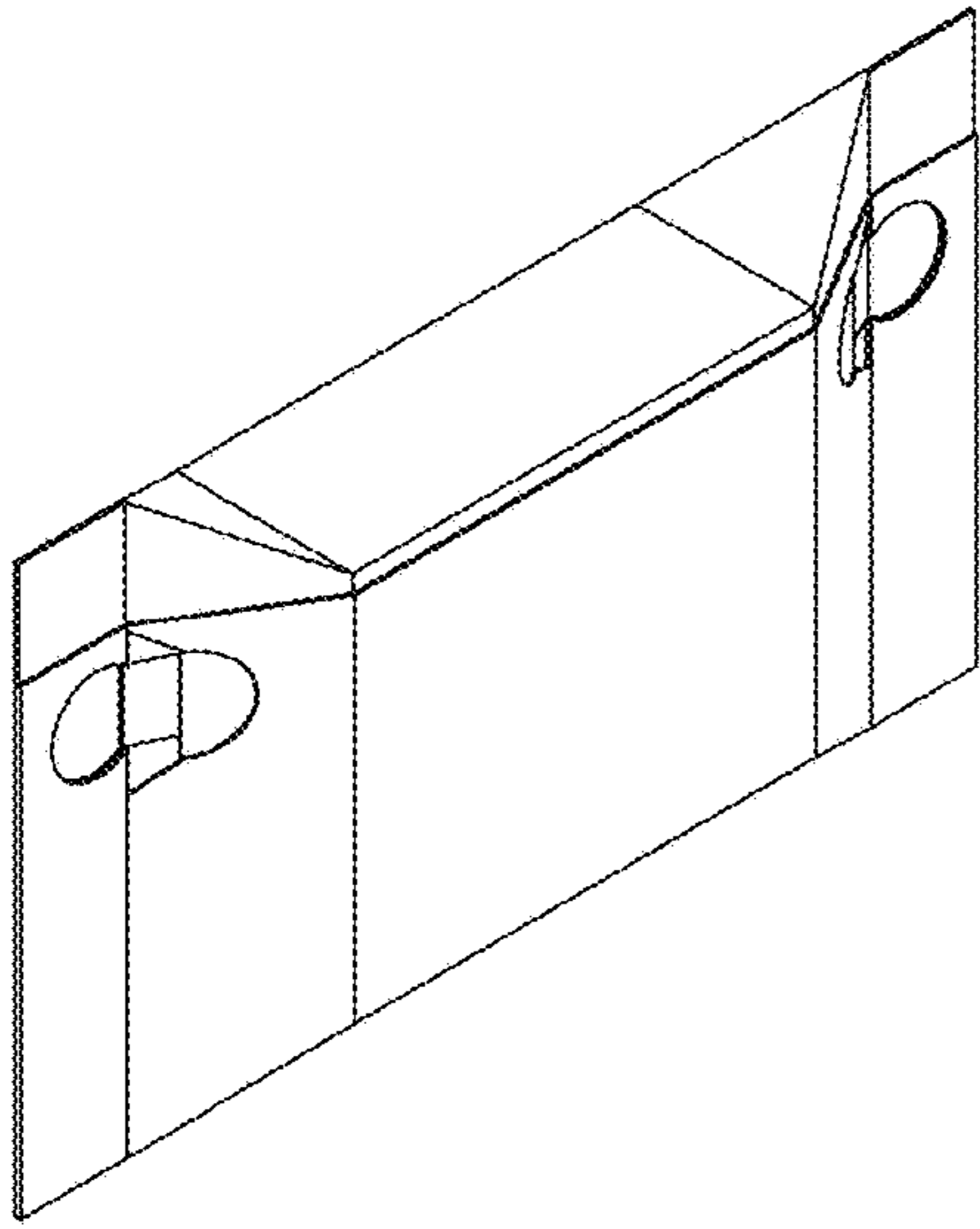


FIG. 33

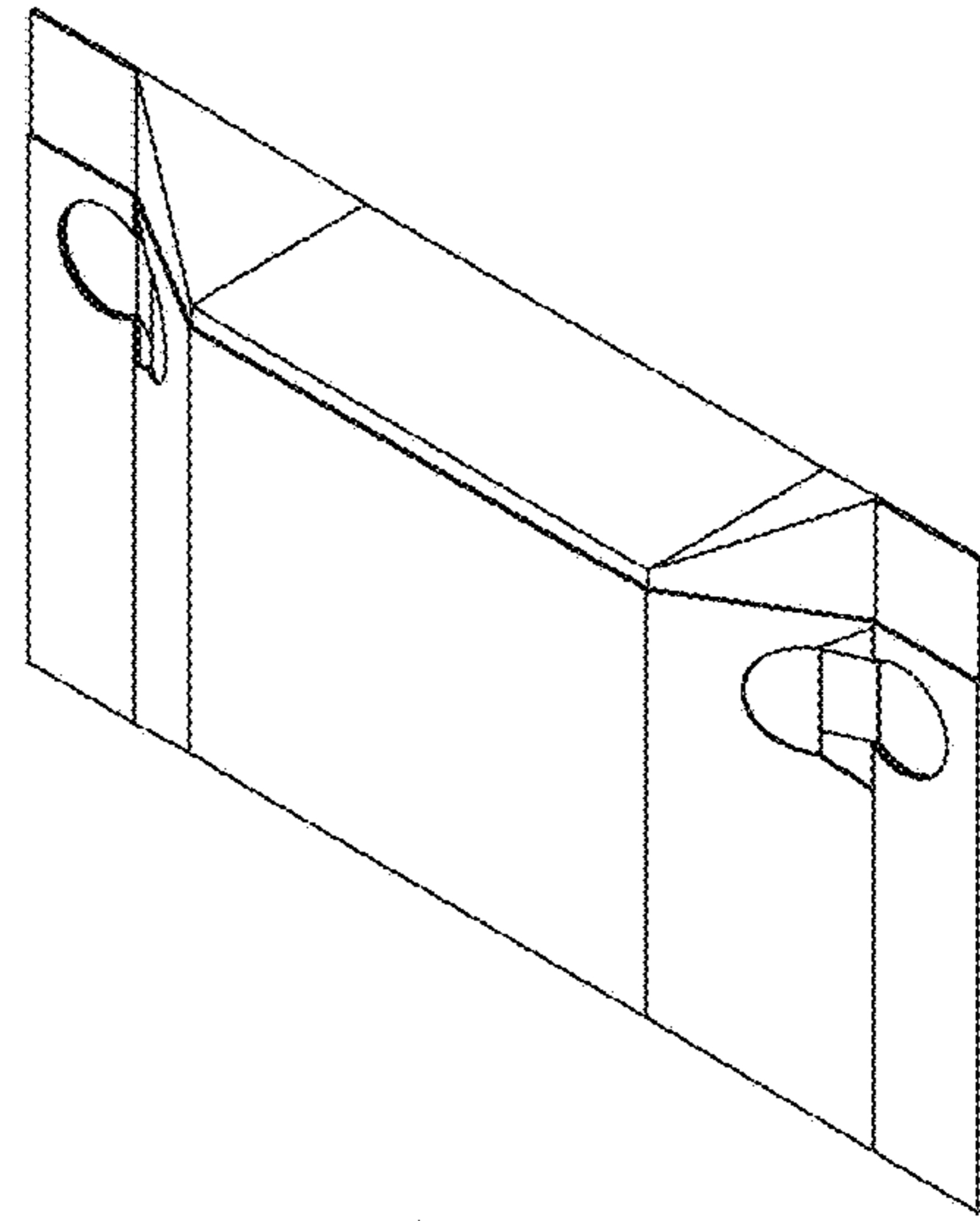


FIG. 34

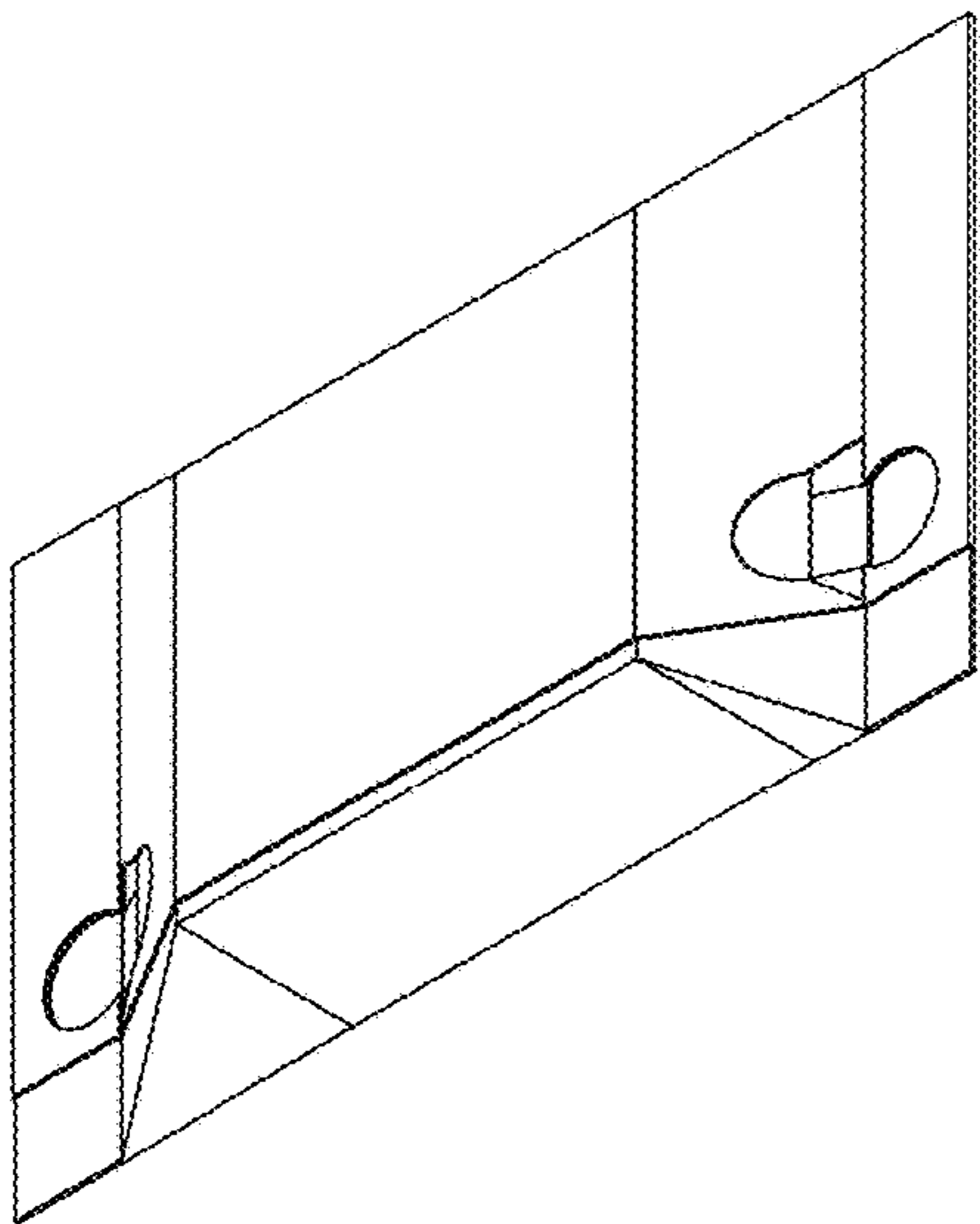


FIG. 35

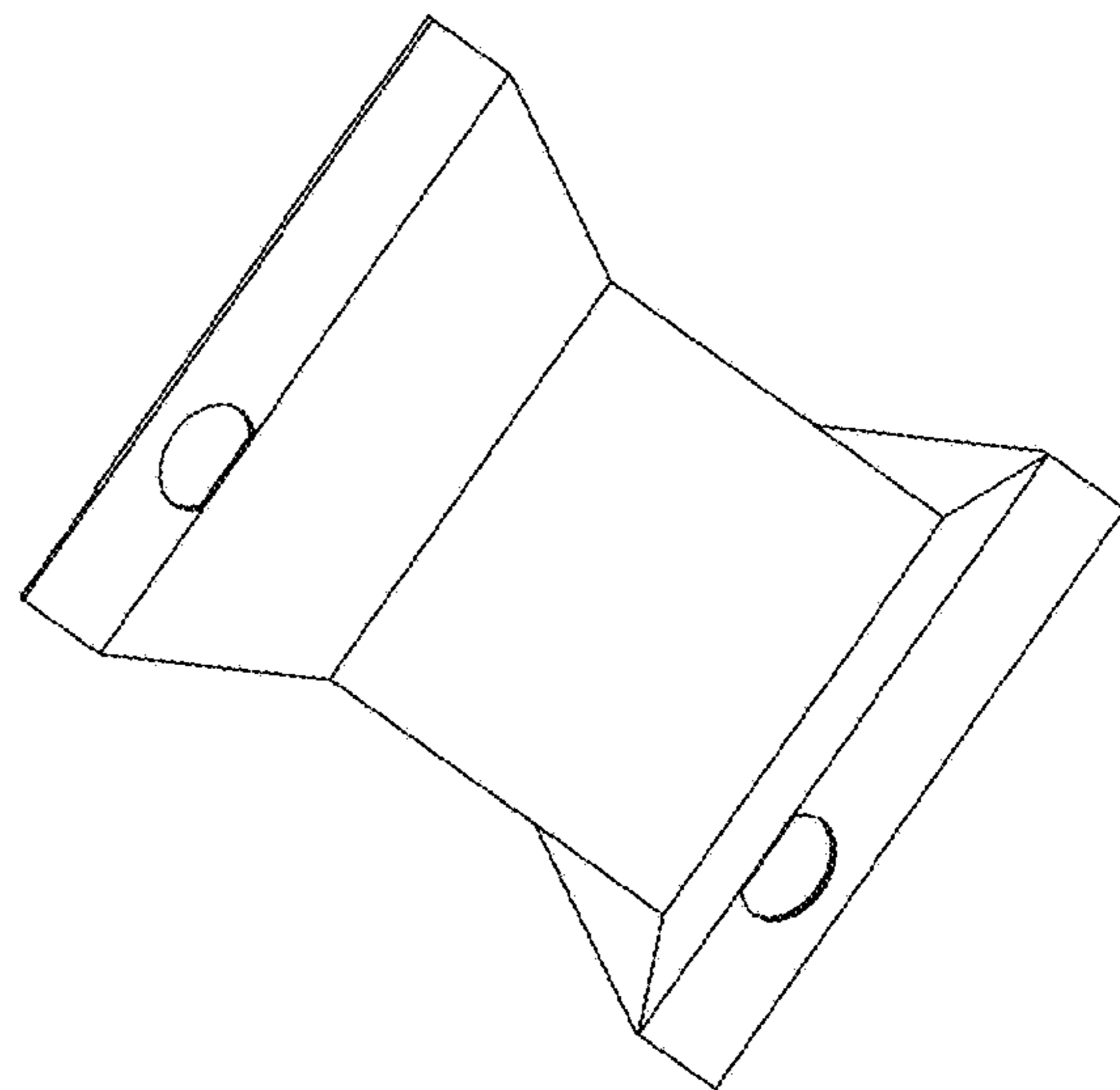


FIG. 36

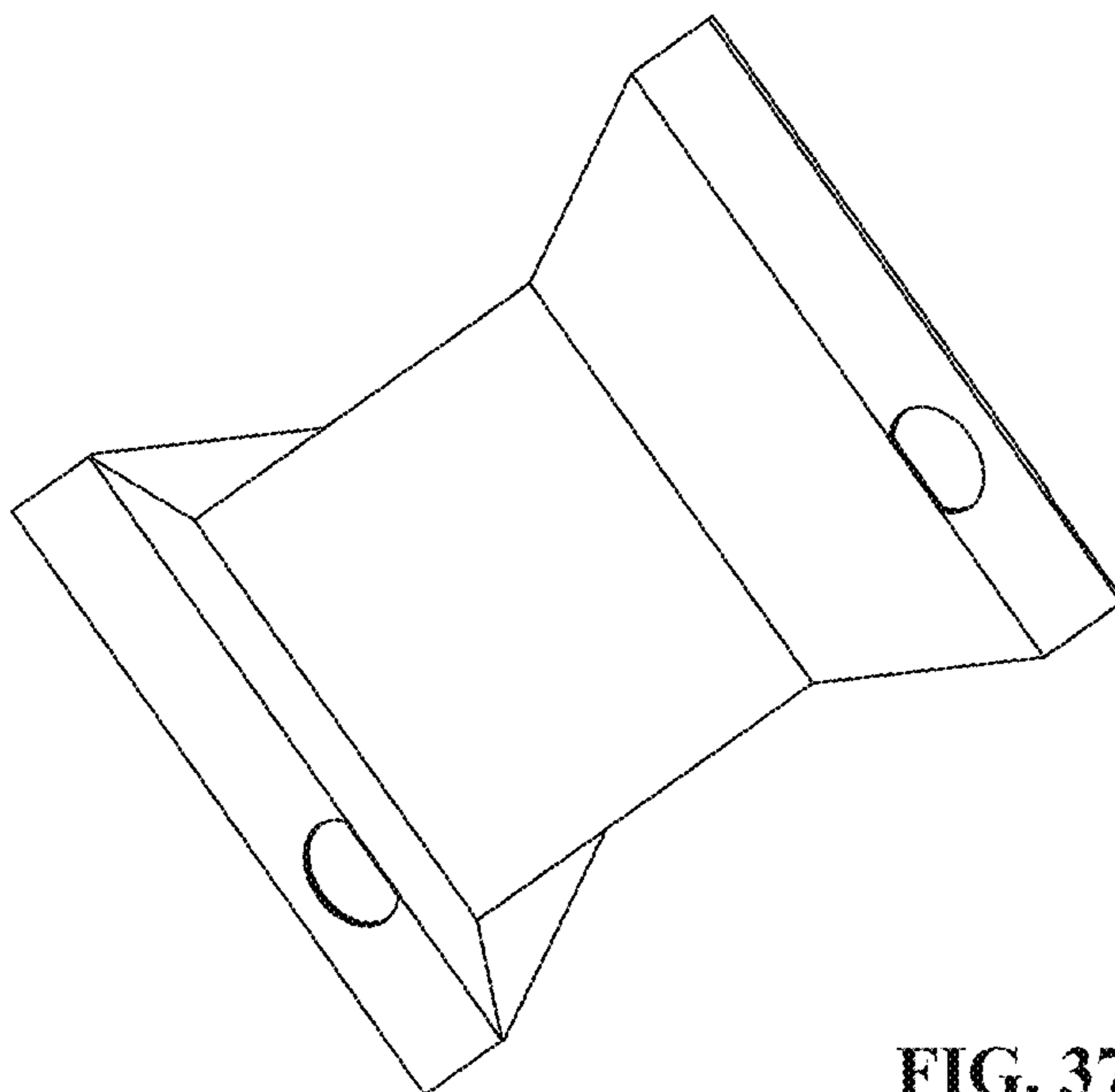


FIG. 37

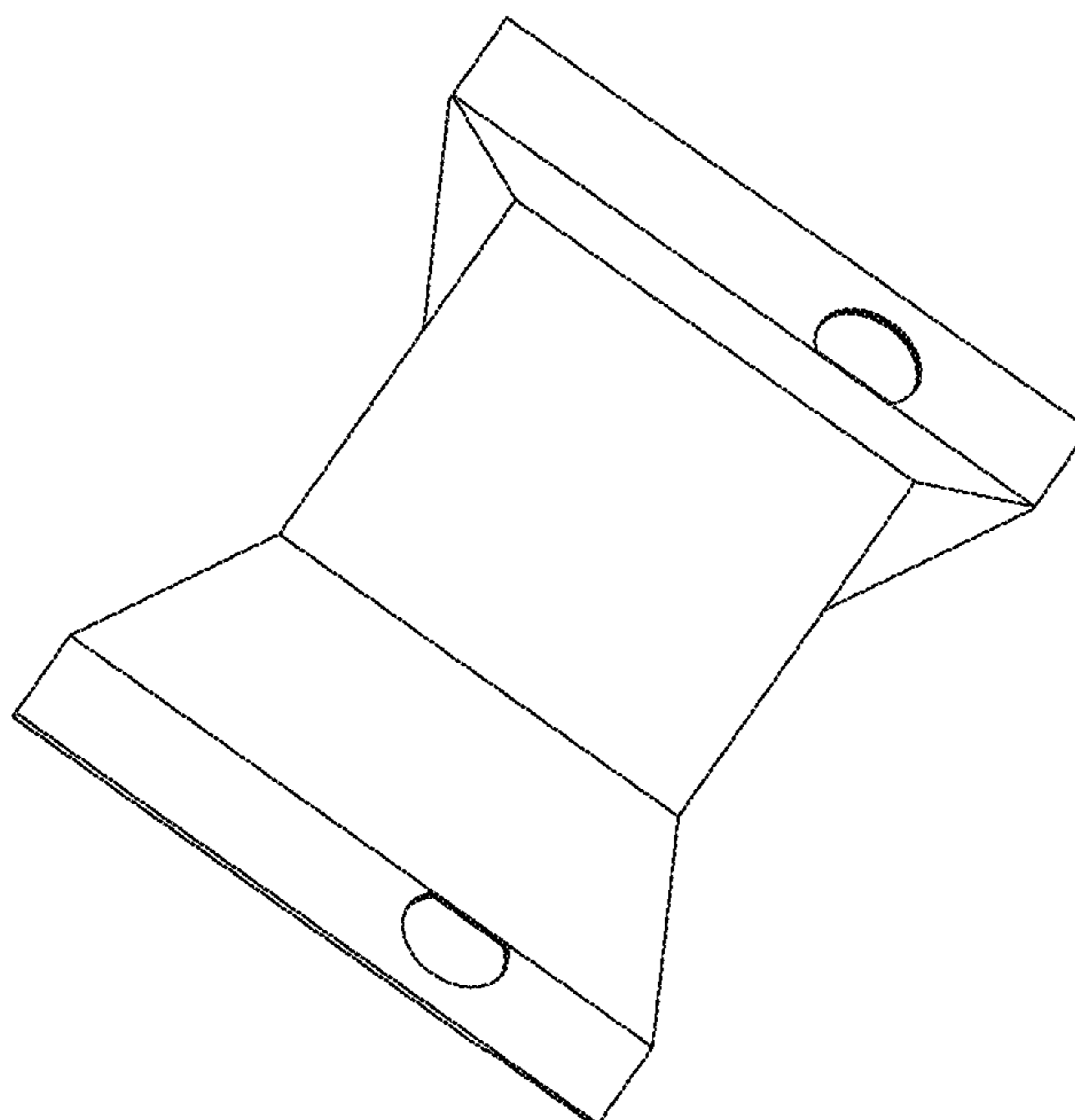


FIG. 38

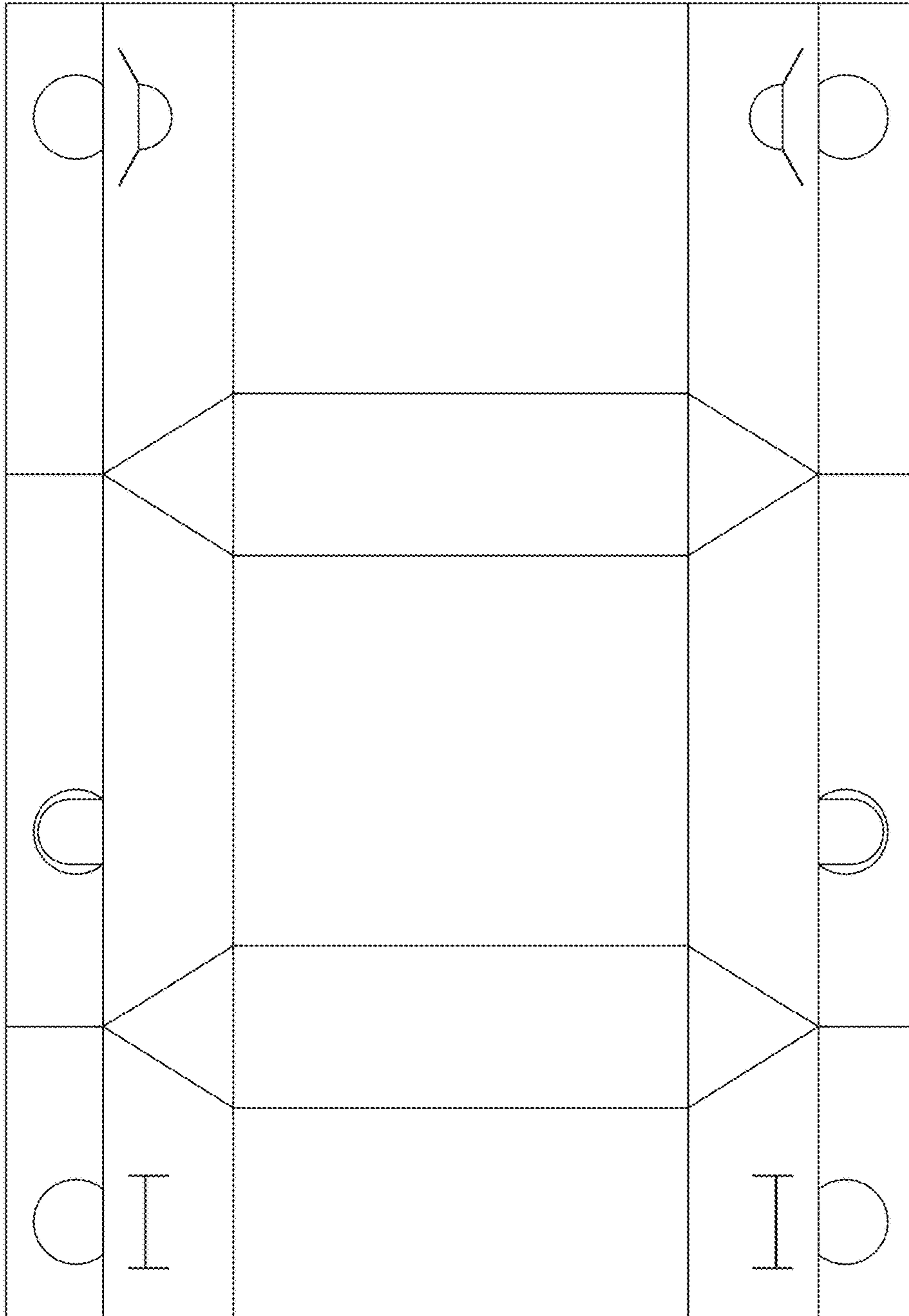


FIG. 39

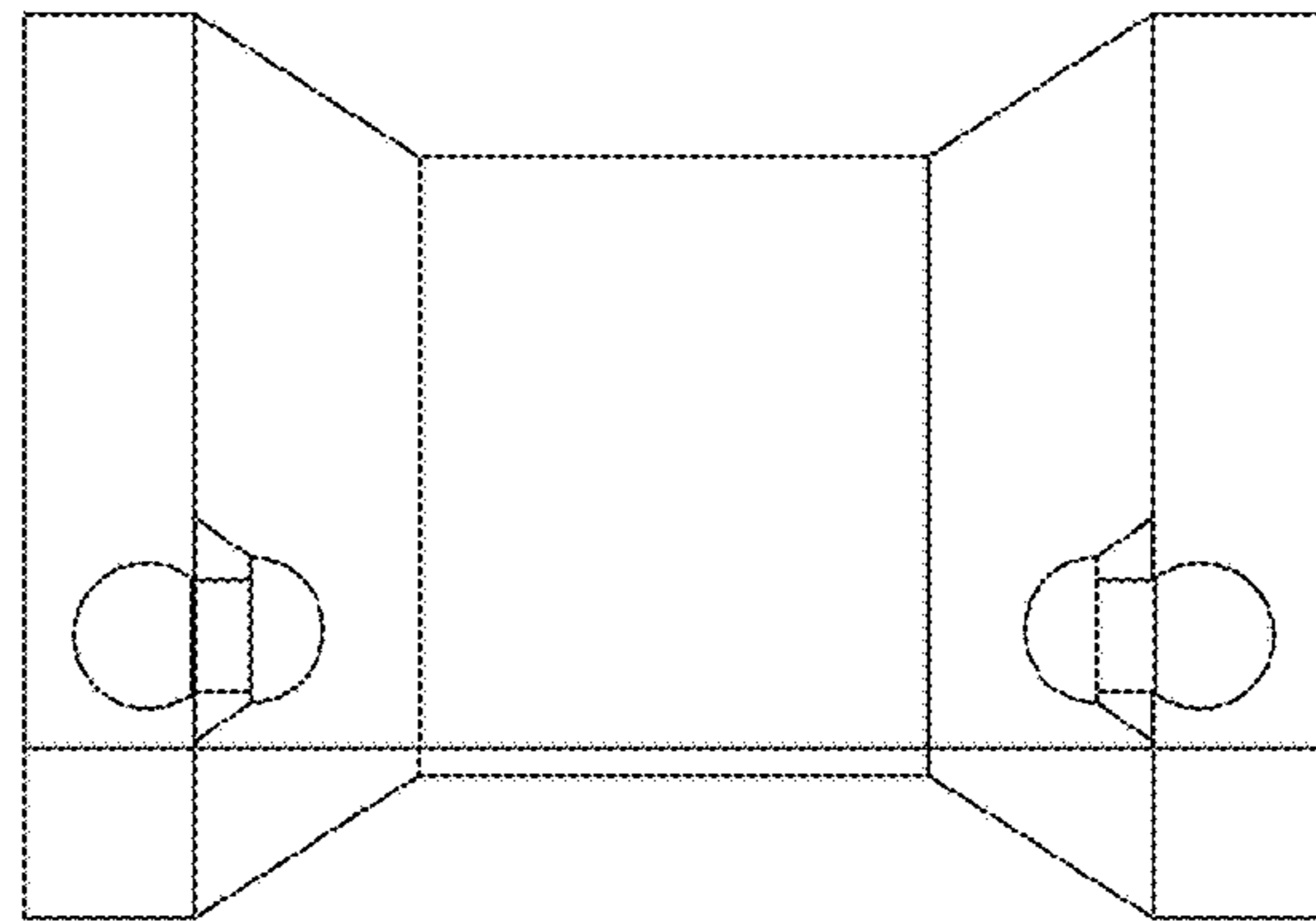


FIG. 40

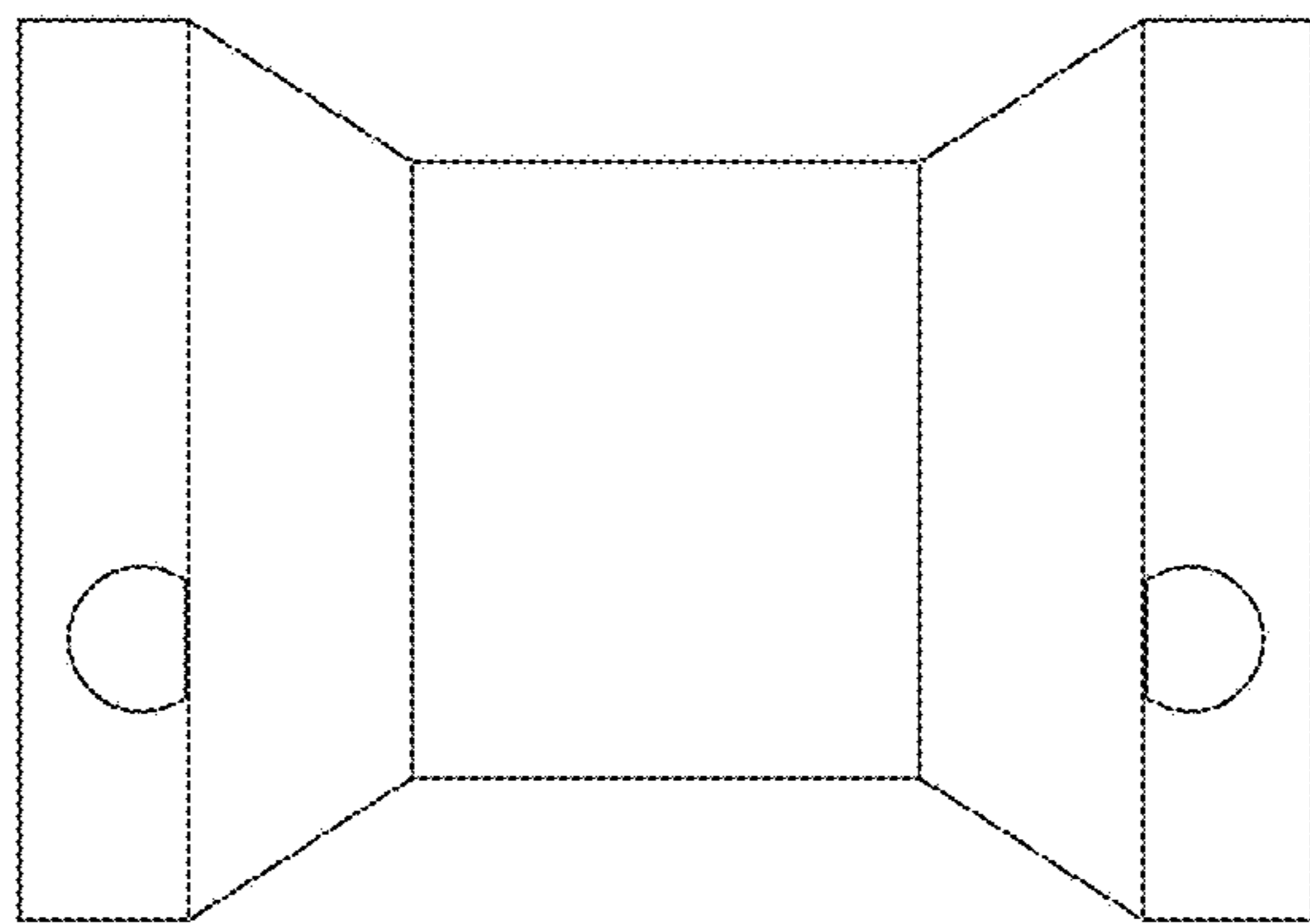


FIG. 41



FIG. 42



FIG. 43

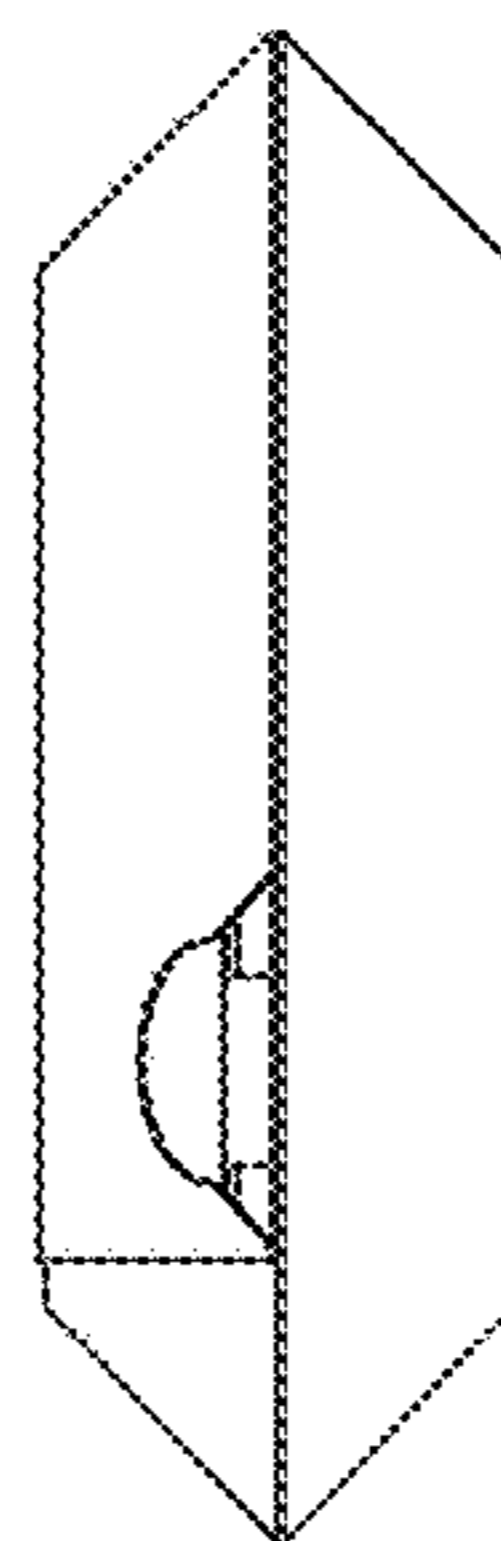


FIG. 44

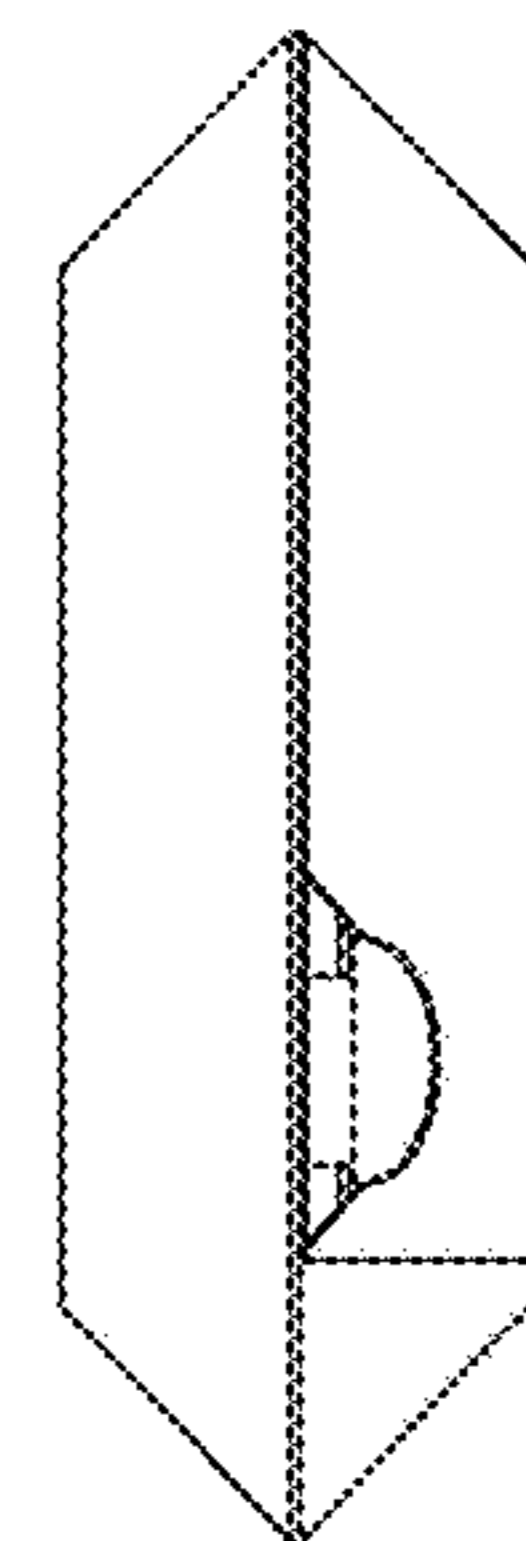


FIG. 45

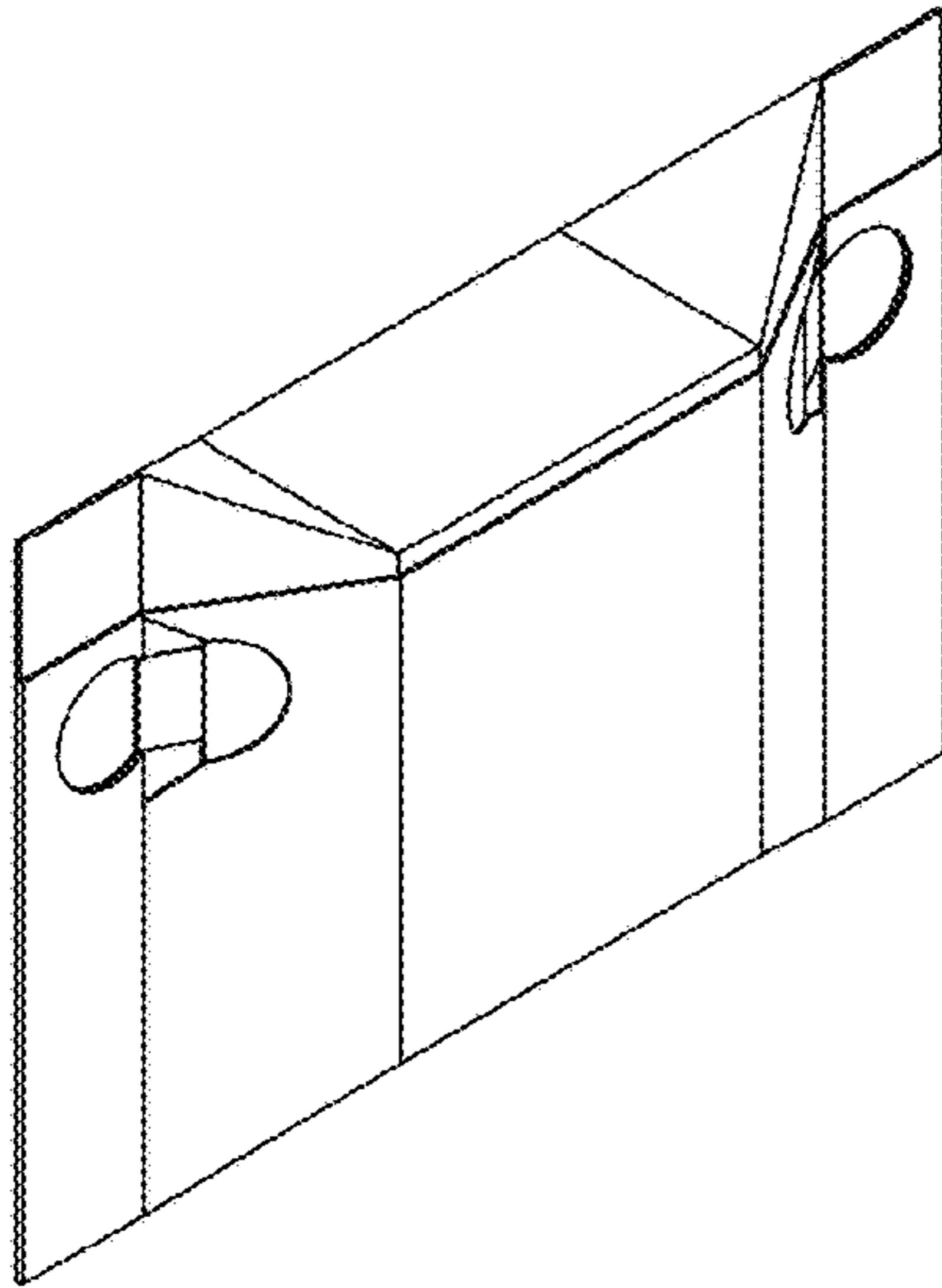


FIG. 46

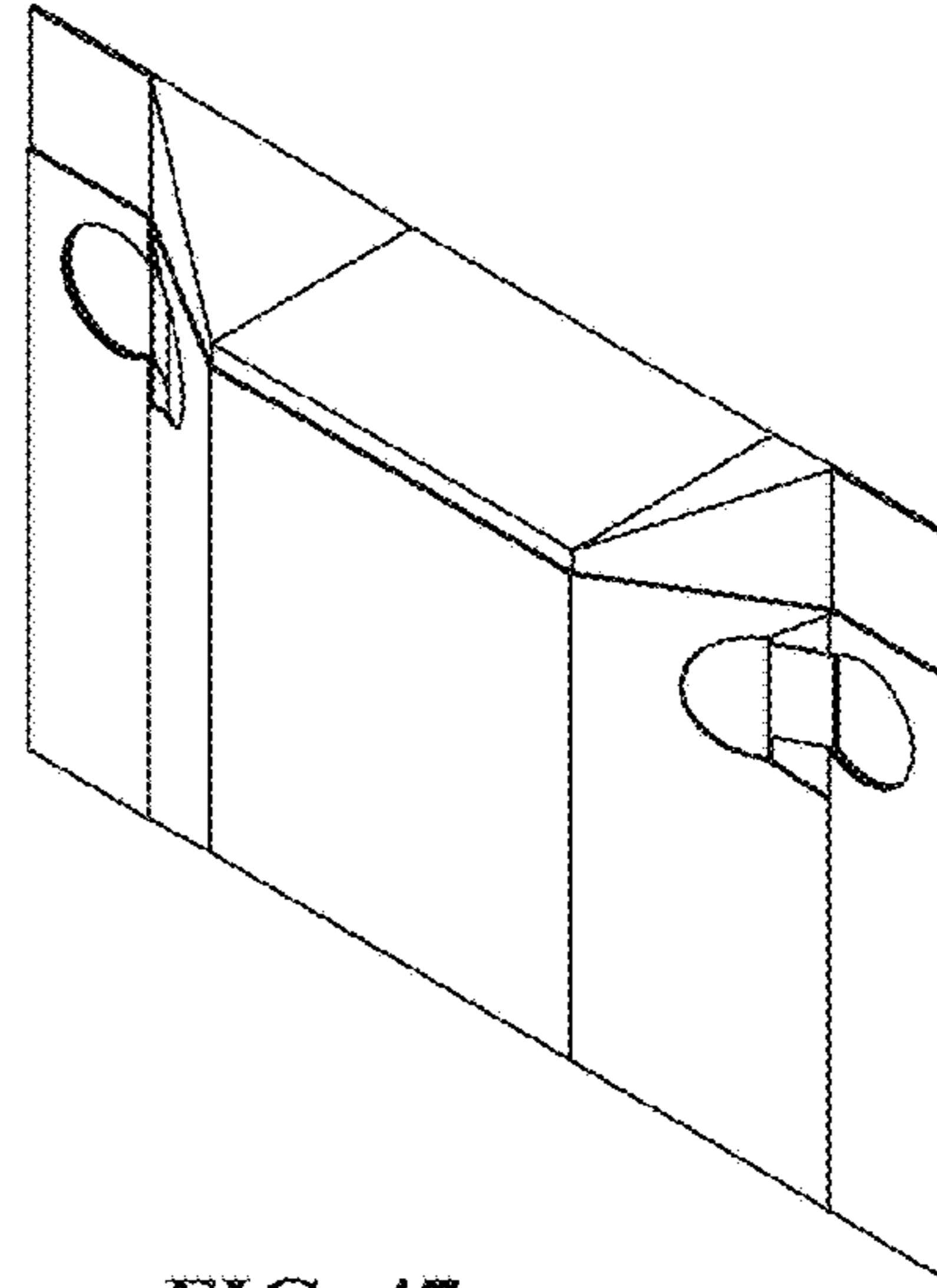


FIG. 47

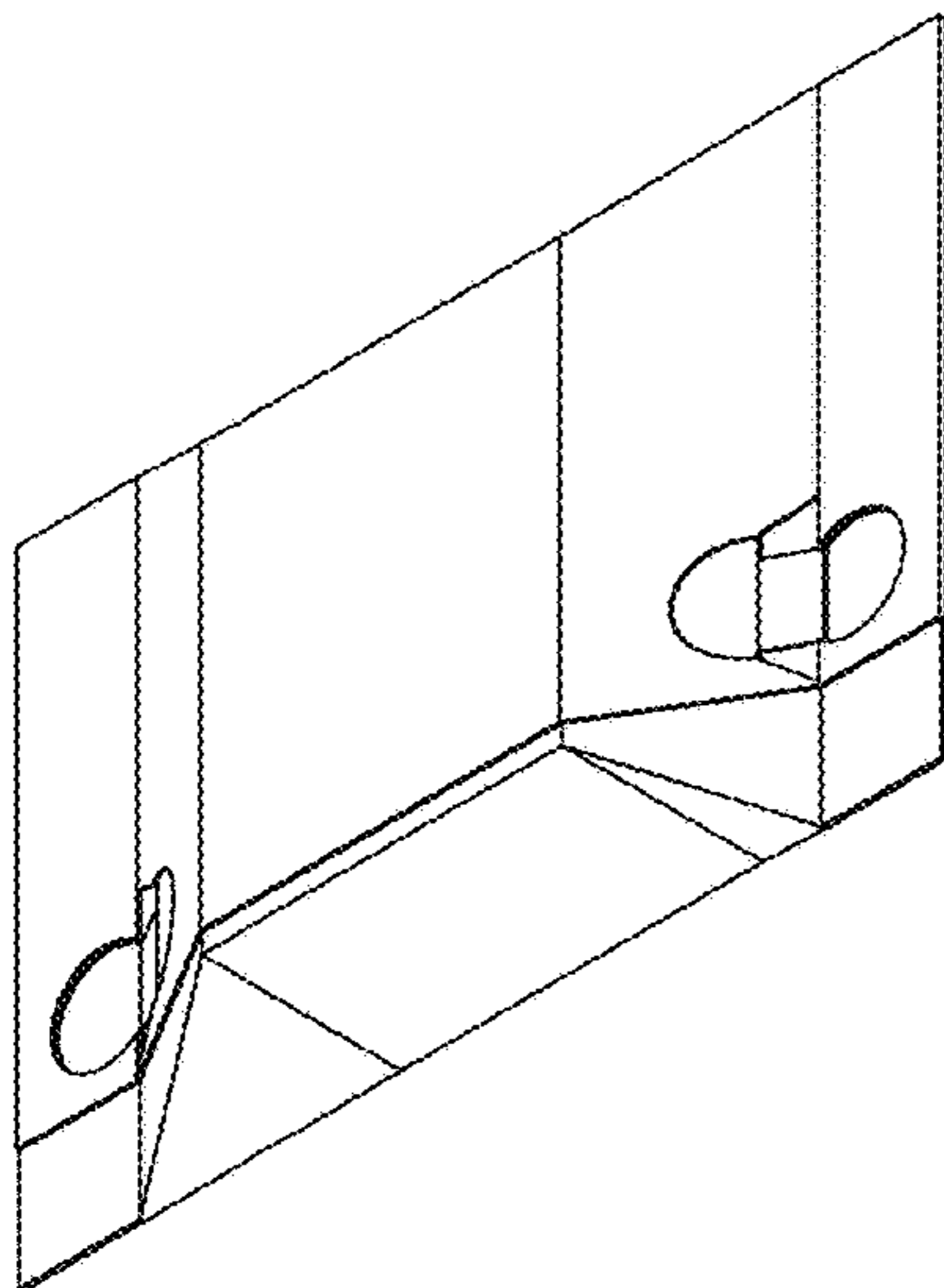


FIG. 48

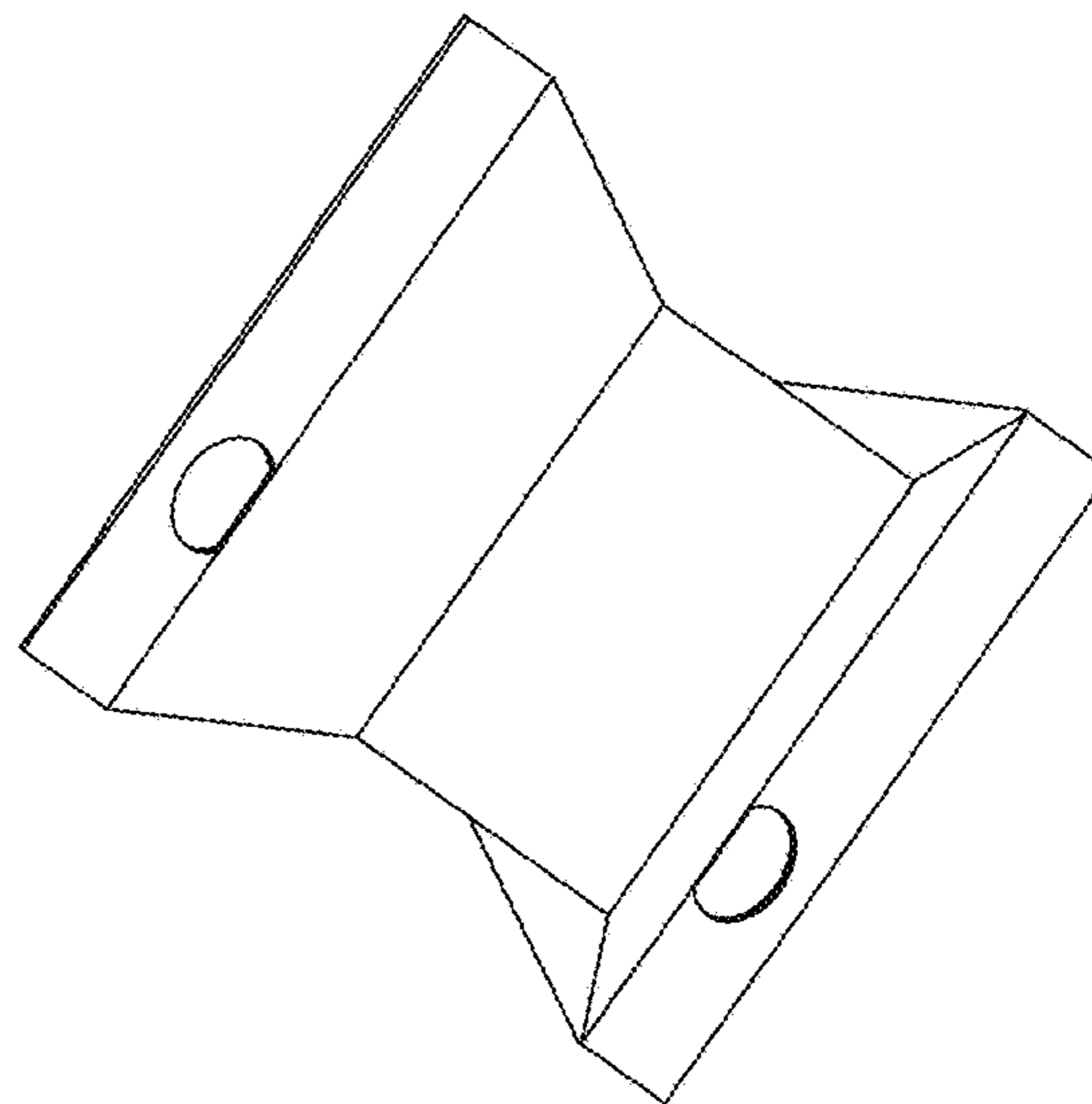


FIG. 49

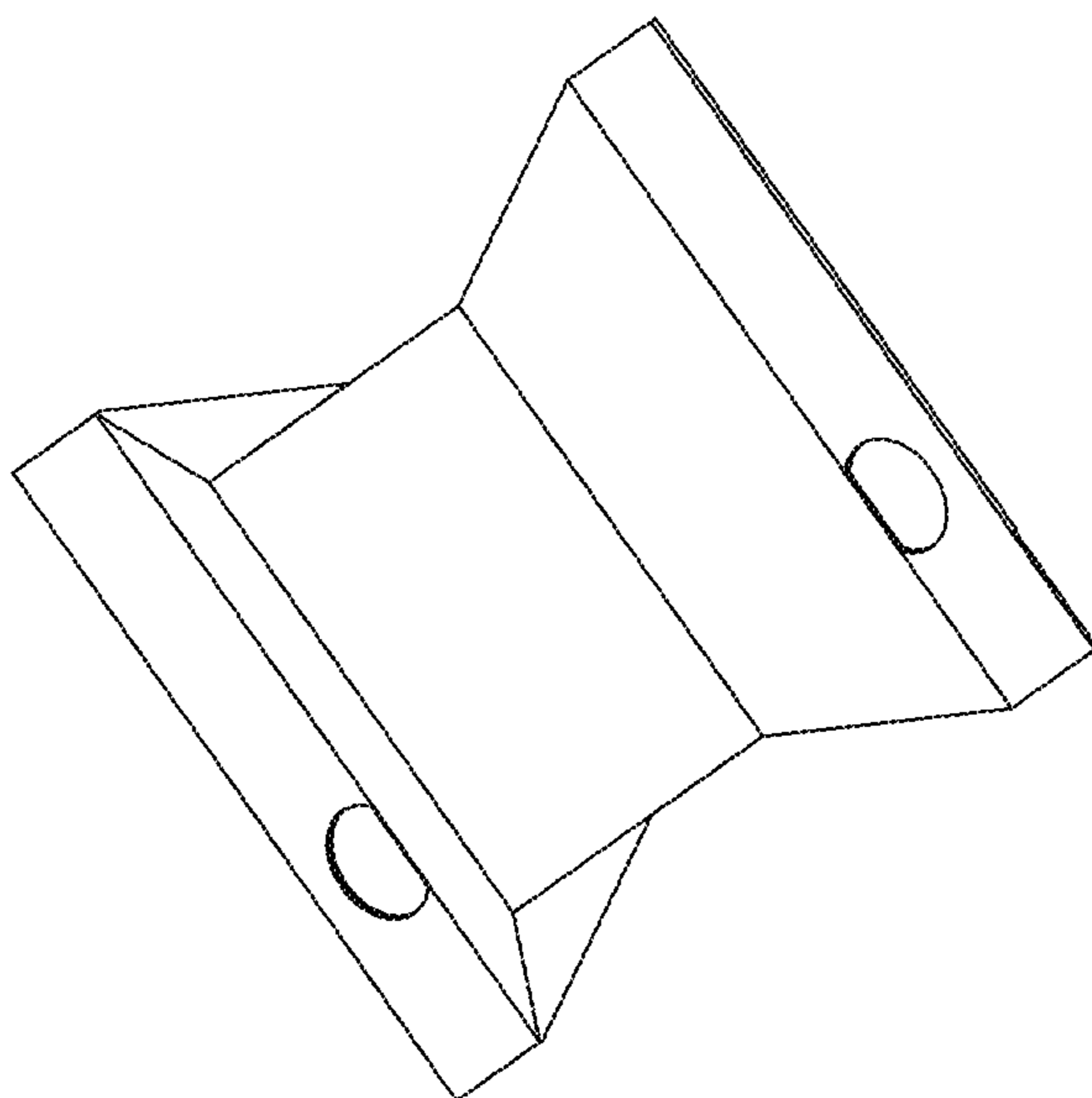


FIG. 50

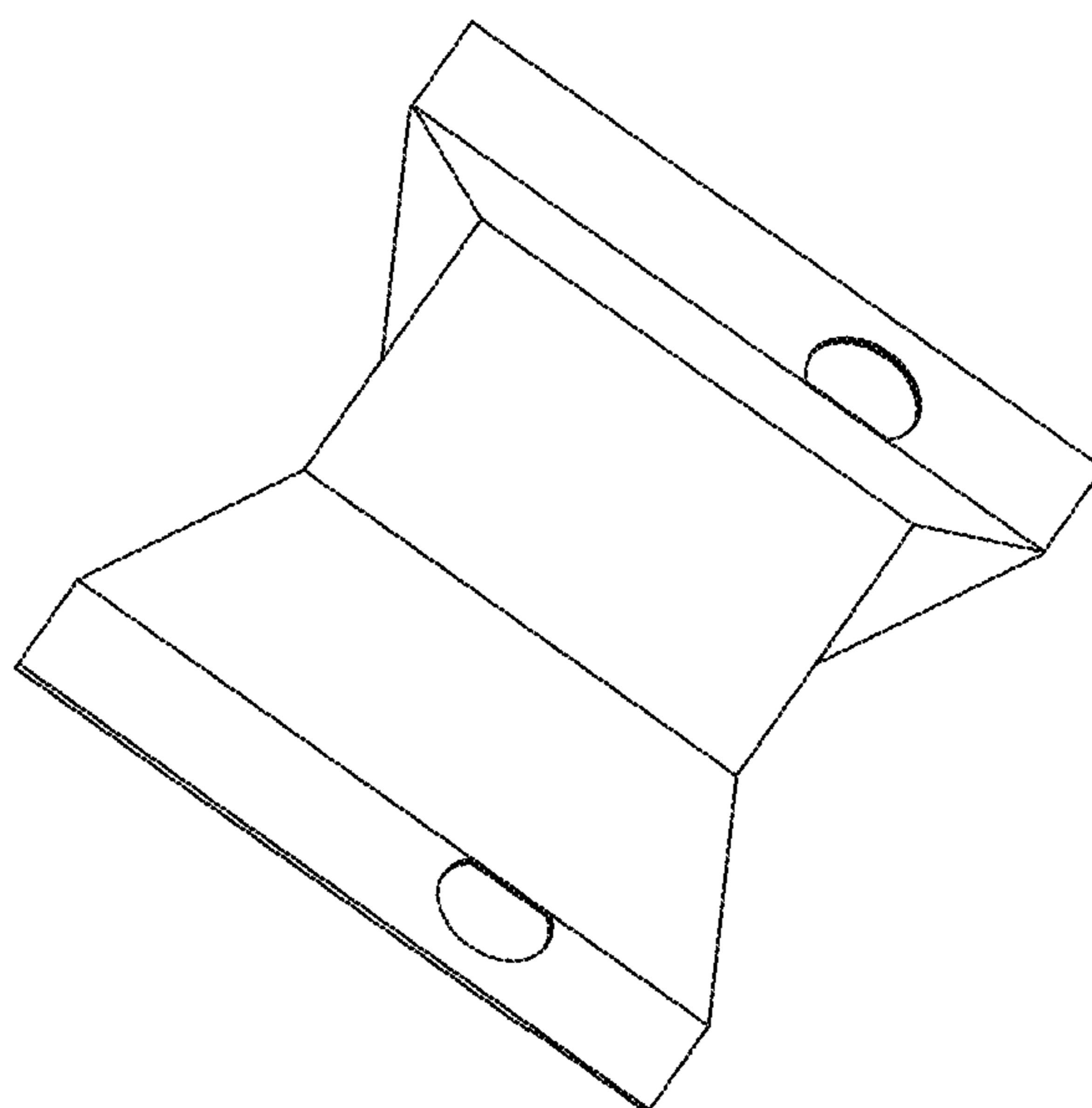


FIG. 51

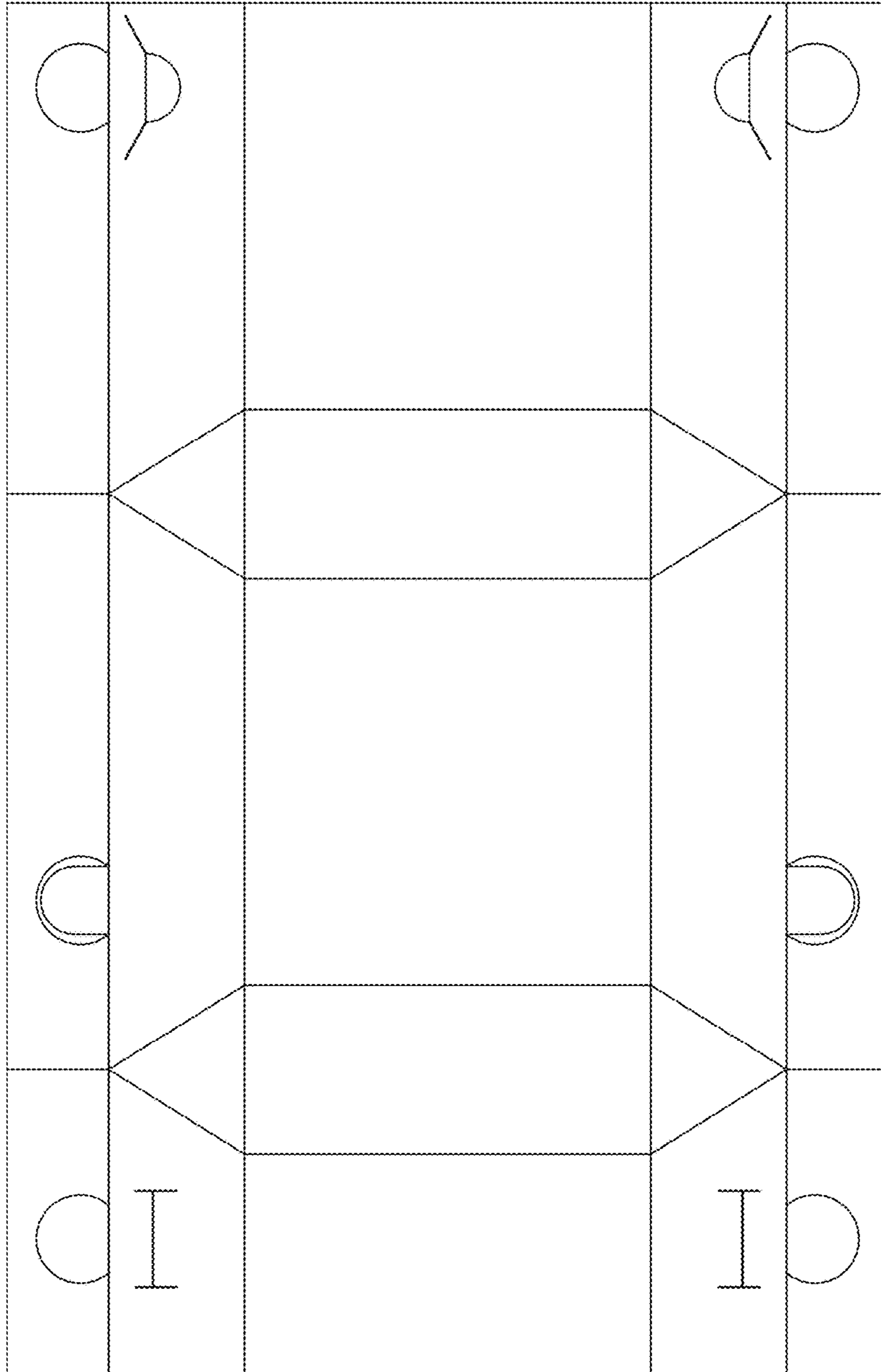


FIG. 52