



US00D814915S

(12) **United States Design Patent** (10) **Patent No.:** **US D814,915 S**
Powers (45) **Date of Patent:** **** Apr. 10, 2018**

(54) **GAGE FOR PRESS PACK CLAMP**
(71) Applicant: **LWE, Inc.**, Maple Grove, MN (US)
(72) Inventor: **Al Powers**, Maple Grove, MN (US)
(73) Assignee: **LWE, INC.**, Maple Grove, MN (US)
(**) Term: **15 Years**
(21) Appl. No.: **29/581,500**
(22) Filed: **Oct. 19, 2016**
(51) **LOC (11) Cl.** **08-08**
(52) **U.S. Cl.**
USPC **D8/394**
(58) **Field of Classification Search**
USPC D8/71, 72, 73, 74, 330, 349, 354, 380,
D8/382, 394, 395, 396, 499; D7/637;
D34/28; D25/133, 126, 119, 114, 113,
D25/108; D15/138; D13/199, 184, 173,
D13/155, 154, 149, 129; D12/174
CPC E04C 2003/0421; F24J 2/5258
See application file for complete search history.

D738,711 S * 9/2015 Tally D8/380
D749,935 S * 2/2016 Rook D8/349
D768,097 S * 10/2016 Powers D13/199
D790,332 S * 6/2017 Dresser, III D8/394
D801,164 S * 10/2017 Powers D8/394
D801,797 S * 11/2017 Powers D8/394

OTHER PUBLICATIONS

“Semiconductor Data Handbook”, General Electric Company, third edition, Syracuse, NY, USA, 2007, 8 pages.

* cited by examiner

Primary Examiner — Cynthia Ramirez
Assistant Examiner — Michael A Maharajh
(74) *Attorney, Agent, or Firm* — Hamre, Schumann,
Mueller & Larson, P.C

(57) **CLAIM**

The ornamental design for a gage for press pack clamp, as shown and described.

DESCRIPTION

FIG. 1 is a top perspective view showing a gage for a press pack clamp of my new design;
FIG. 2 is a bottom perspective view thereof;
FIG. 3 is a front elevational view thereof;
FIG. 4 is a rear elevational view thereof;
FIG. 5 is a top plan view thereof;
FIG. 6 is a bottom plan view thereof;
FIG. 7 is a left side plan view thereof; and,
FIG. 8 is a right side plan view thereof.

1 Claim, 4 Drawing Sheets

(56) **References Cited**

U.S. PATENT DOCUMENTS

D208,858 S * 10/1967 Smith D8/71
D474,161 S * 5/2003 Månsson D13/199
D666,899 S * 9/2012 Eichner D8/380
D667,296 S * 9/2012 Eichner D8/380
D692,393 S * 10/2013 Hillman D13/102
D724,405 S * 3/2015 Larson D8/71

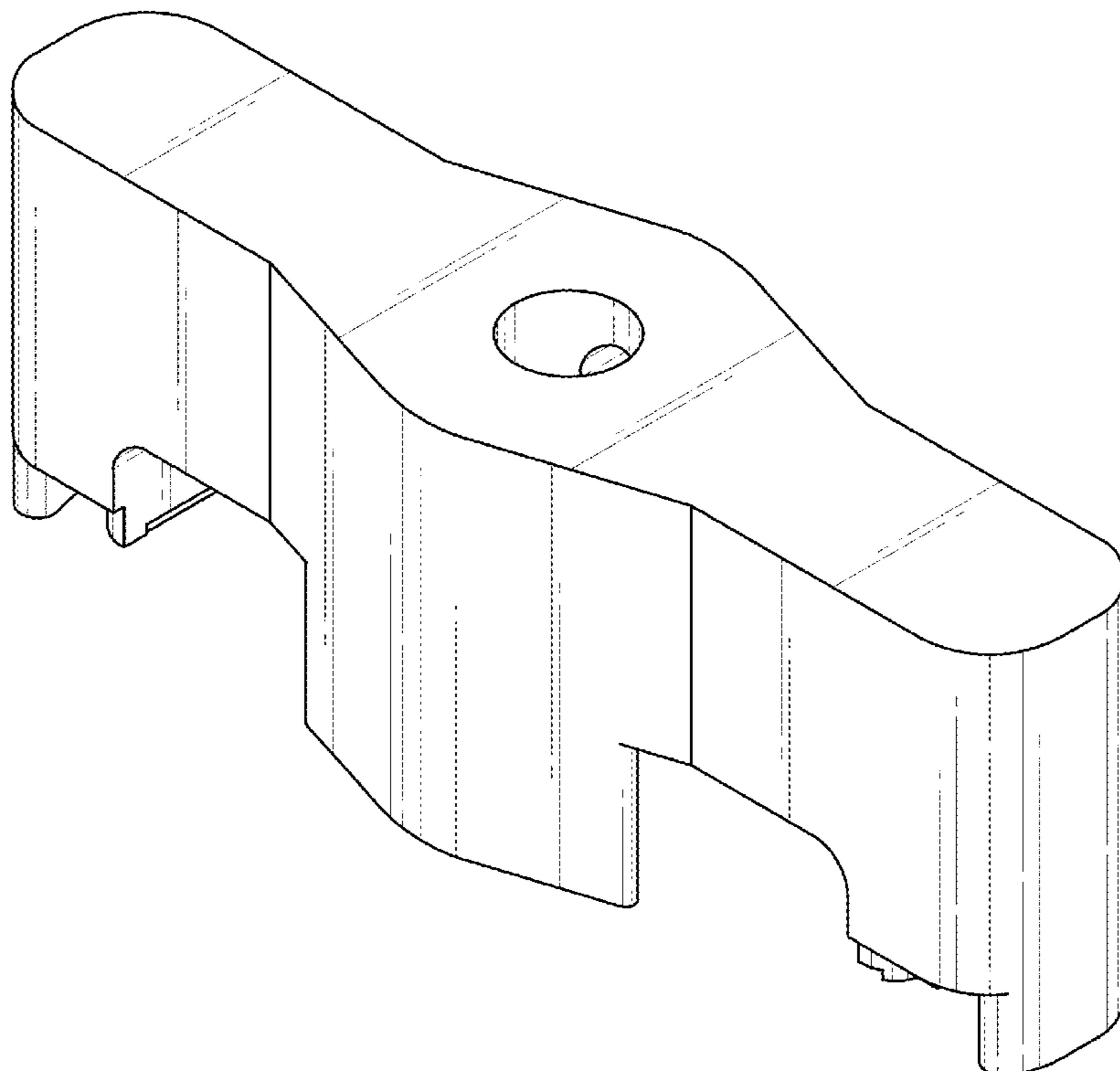


Fig. 1

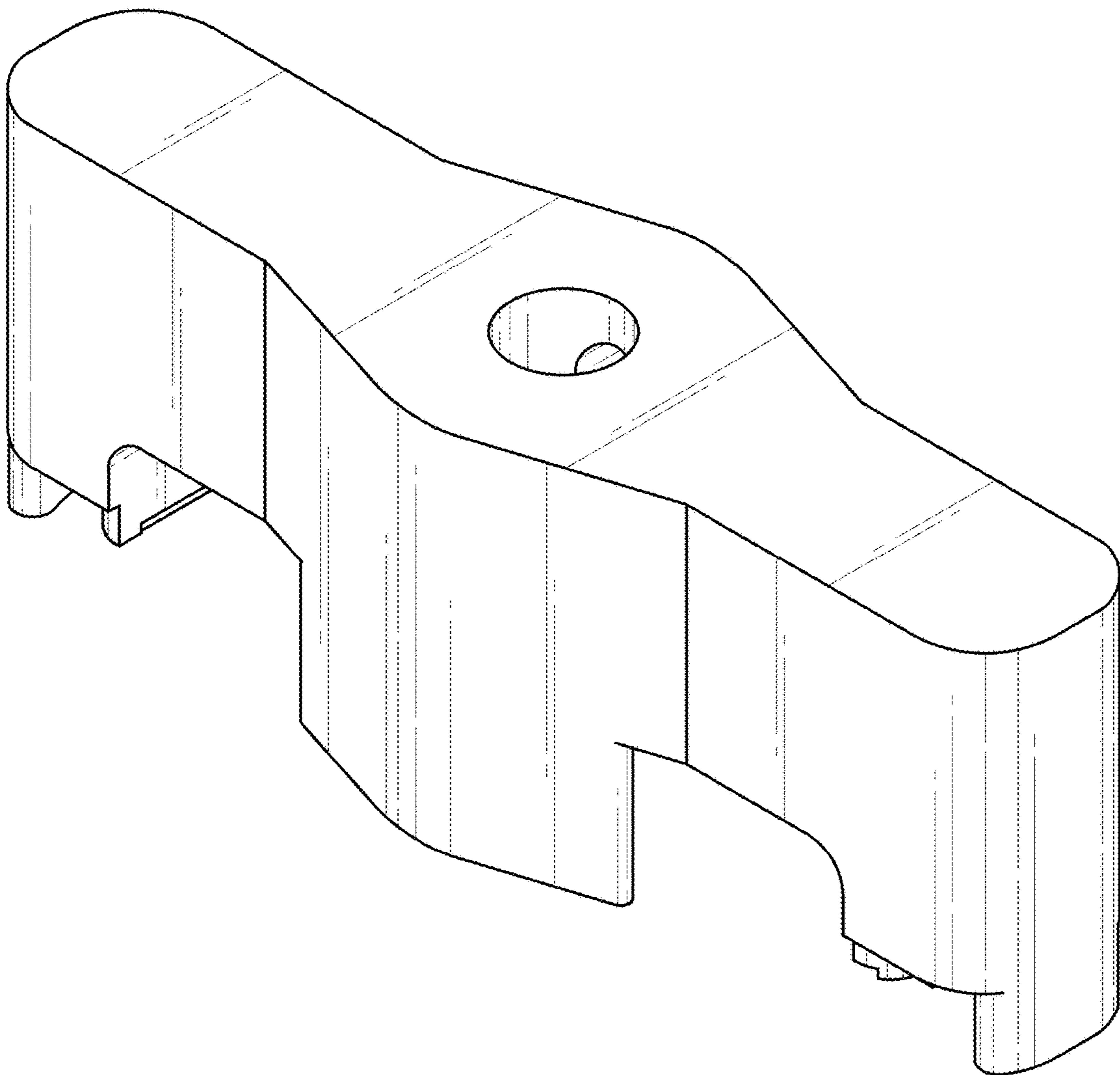


Fig. 2

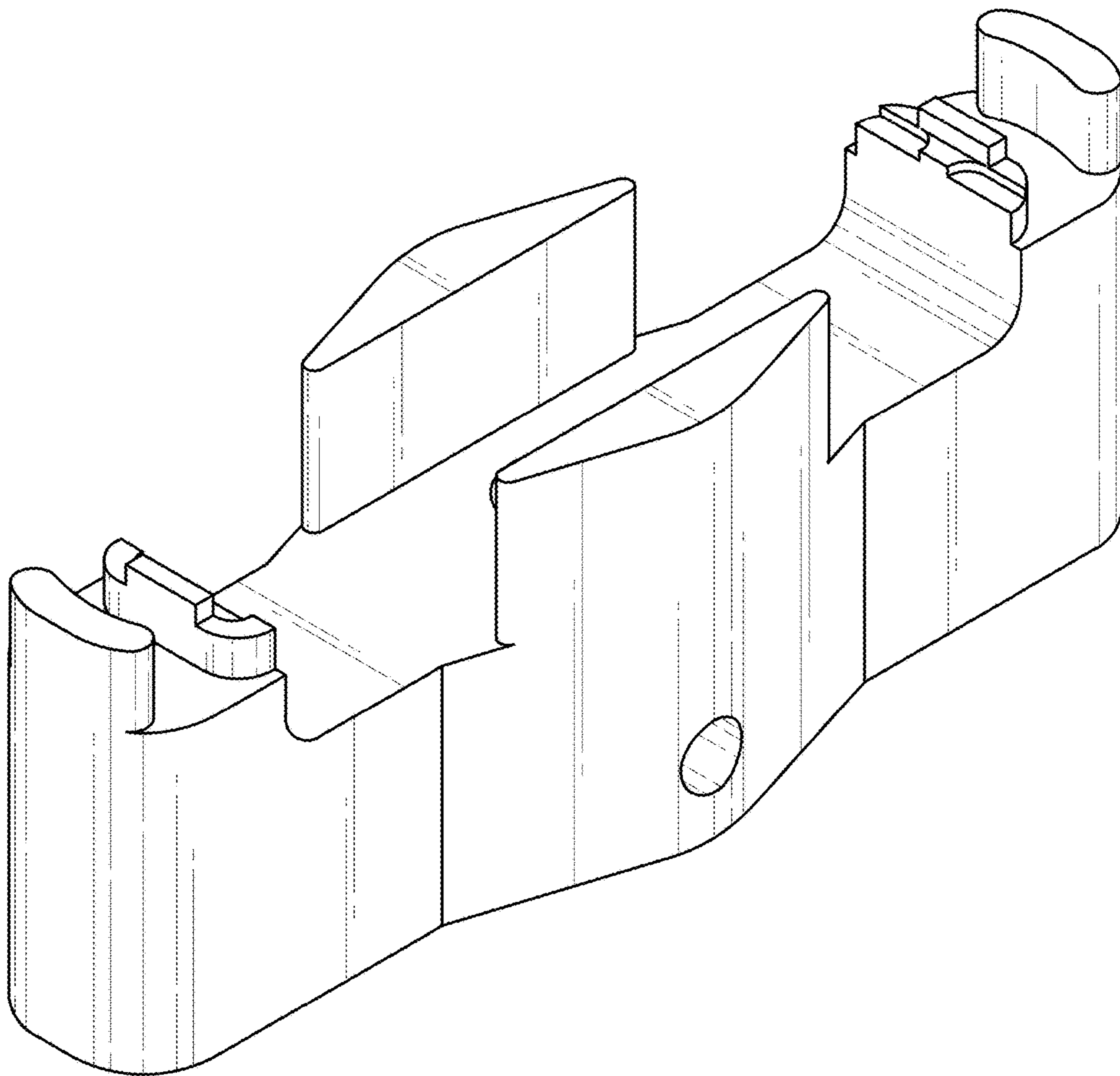


Fig. 3

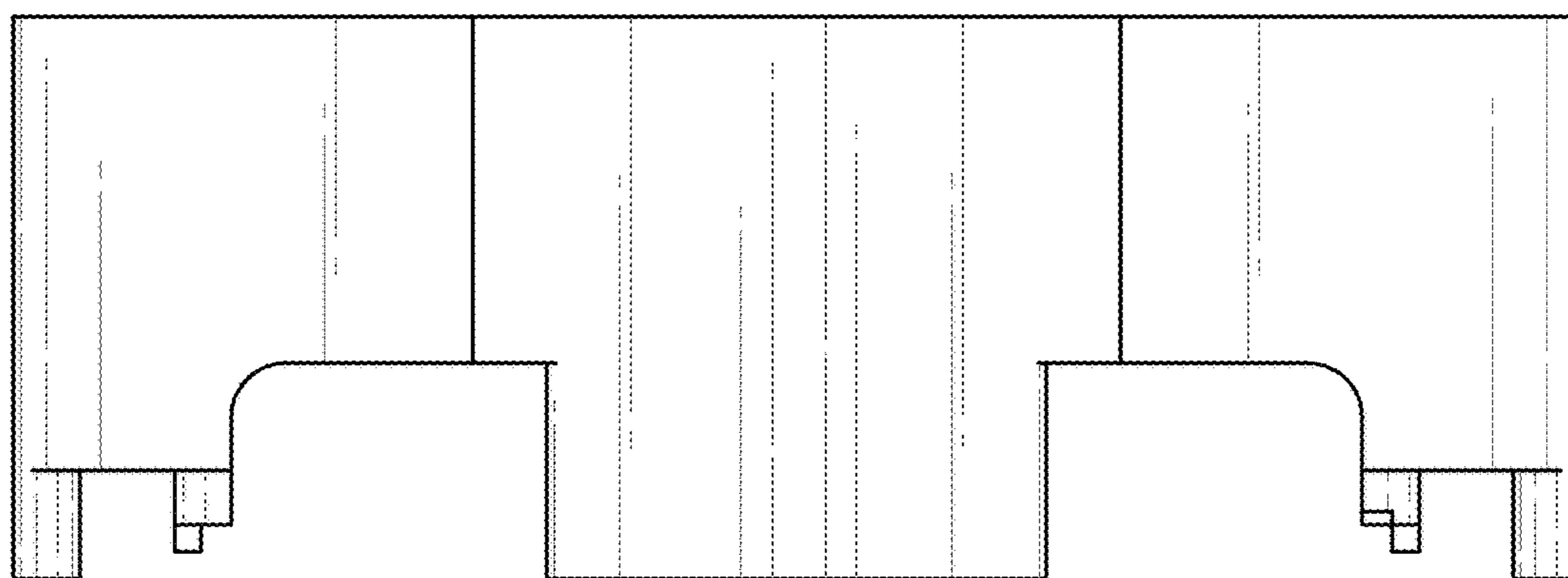


Fig. 4

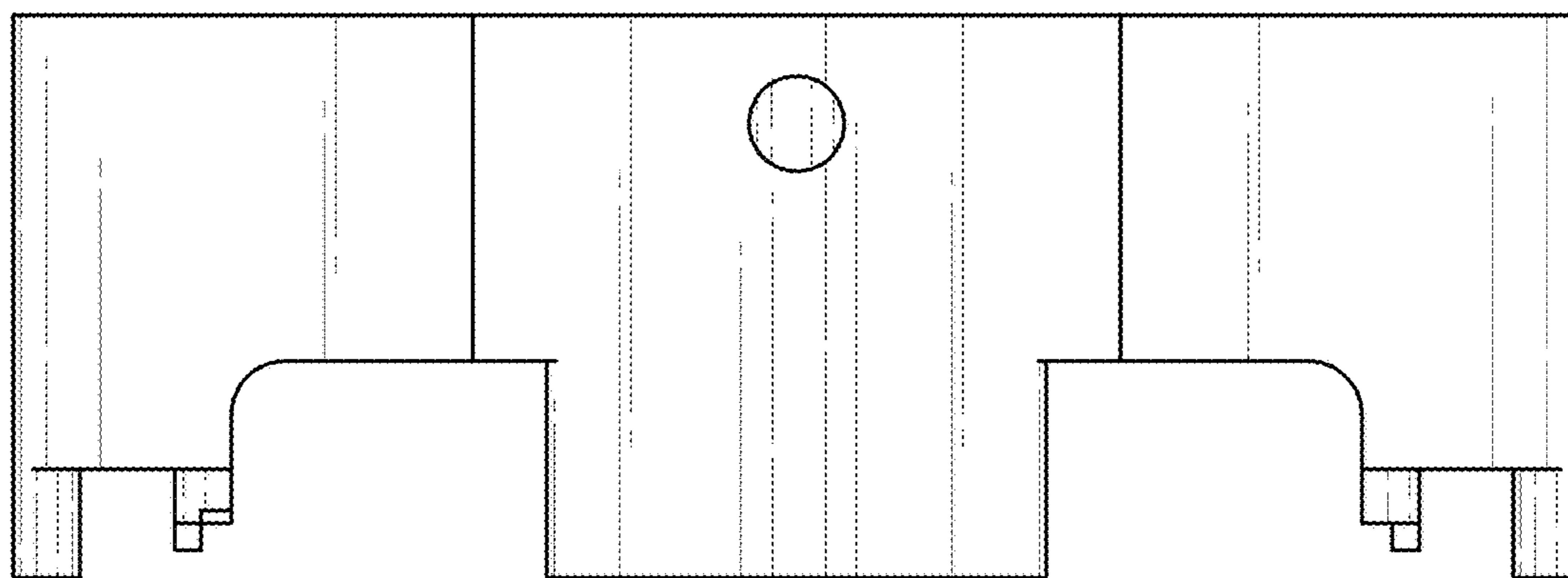


Fig. 5

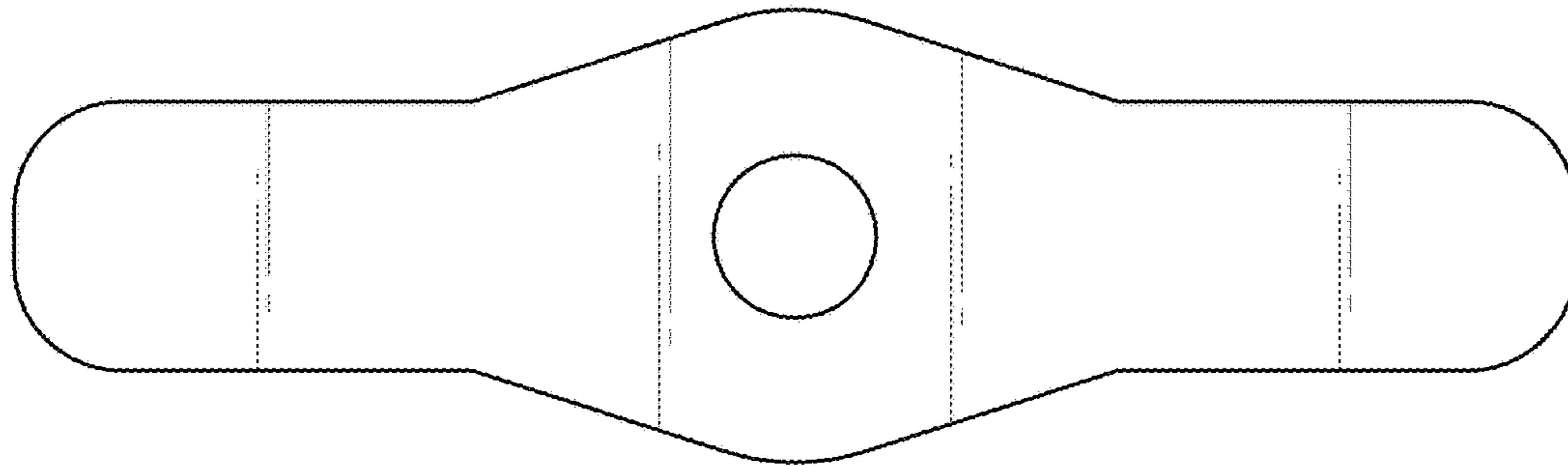


Fig. 6

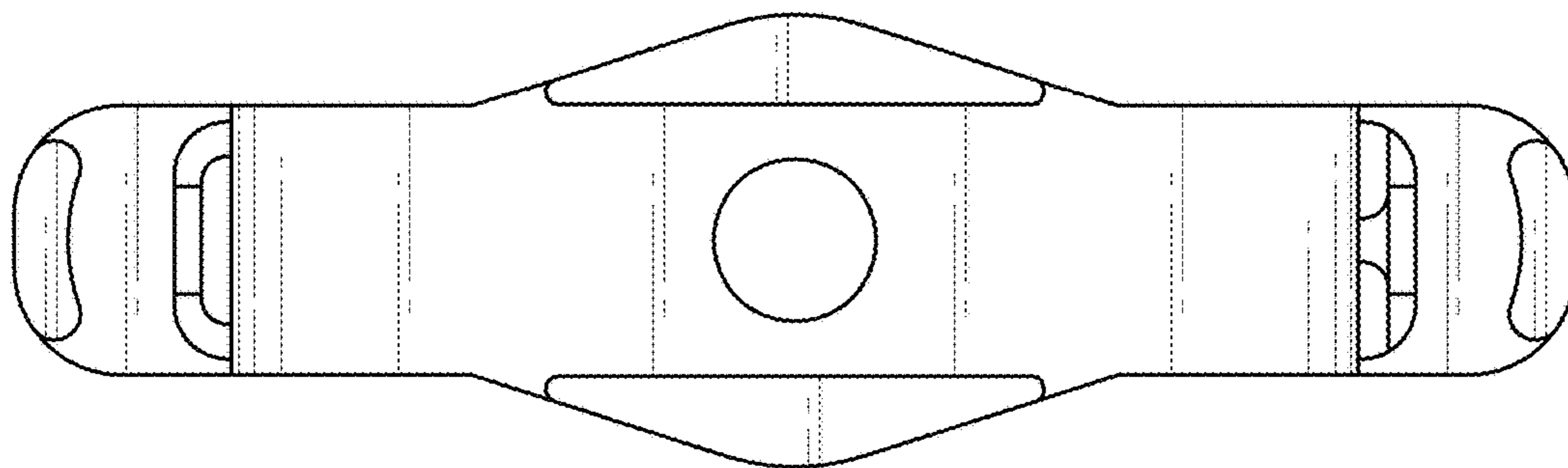


Fig. 7

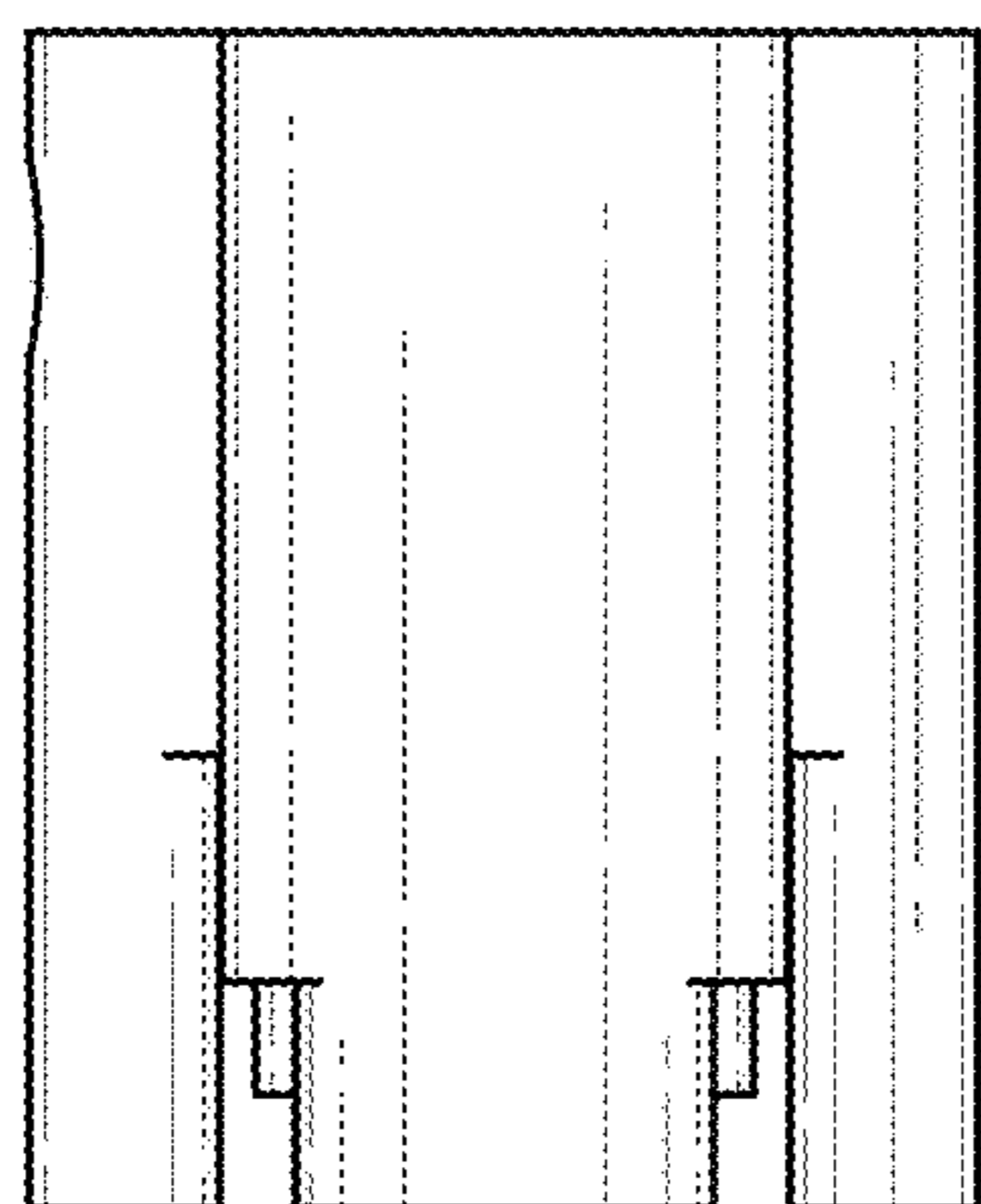


Fig. 8

