



US00D814914S

(12) **United States Design Patent** (10) **Patent No.:** **US D814,914 S**
Mason (45) **Date of Patent:** **** Apr. 10, 2018**

(54) **GUIDE RAIL SUPPORT BRACKET ASSEMBLY**

(71) Applicant: **MASON PLASTICS CO.**, Winchester, TN (US)

(72) Inventor: **William R. Mason**, Kissimmee, FL (US)

(73) Assignee: **MASON PLASTICS CO.**, Winchester, TN (US)

(**) Term: **15 Years**

(21) Appl. No.: **29/548,572**

(22) Filed: **Dec. 15, 2015**

(51) **LOC (11) Cl.** **08-08**

(52) **U.S. Cl.**
USPC **D8/394**

(58) **Field of Classification Search**
USPC D8/363, 354, 373, 381, 394-396
CPC F16C 1/26; B66B 7/02; B65G 21/20
See application file for complete search history.

(56) **References Cited**

U.S. PATENT DOCUMENTS

- 1,431,331 A * 10/1922 Scott B60J 7/1851
296/120.1
- D376,974 S * 12/1996 Chen 24/274 WB
- 5,626,221 A * 5/1997 Ledingham B65G 21/2072
198/836.1
- D386,076 S * 11/1997 Moore D8/394
- 5,692,596 A * 12/1997 Ledingham B65G 21/2072
198/836.3
- 6,454,084 B2 * 9/2002 Csiki B65G 21/2072
198/836.1
- 6,543,608 B2 * 4/2003 Ledingham B65G 21/2072
198/836.3
- 6,669,009 B2 * 12/2003 Ledingham B65G 21/2072
198/836.3
- 6,904,756 B2 * 6/2005 Mack F02C 7/20
60/796
- D562,677 S * 2/2008 Farber D8/380

- D588,441 S * 3/2009 Clarke D8/354
 - D621,244 S * 8/2010 Kundinger, Jr. D8/381
 - D731,299 S * 6/2015 Sugiura D8/396
 - D777,055 S * 1/2017 Taylor D11/119
 - D784,114 S * 4/2017 Rago D8/354
- (Continued)

FOREIGN PATENT DOCUMENTS

JP D1500345 * 6/2014

OTHER PUBLICATIONS

Brackets made in the US by Mason Plastics, website 2015, https://www.masonplastics.com/bracket_body.htm, [site visited May 23, 2017 10:32:12 PM].*

(Continued)

Primary Examiner — John Windmuller

Assistant Examiner — John R Yeh

(74) *Attorney, Agent, or Firm* — Terry M. Sanks, Esq.;
Beusse Wolter Sanks & Maire, PLLC

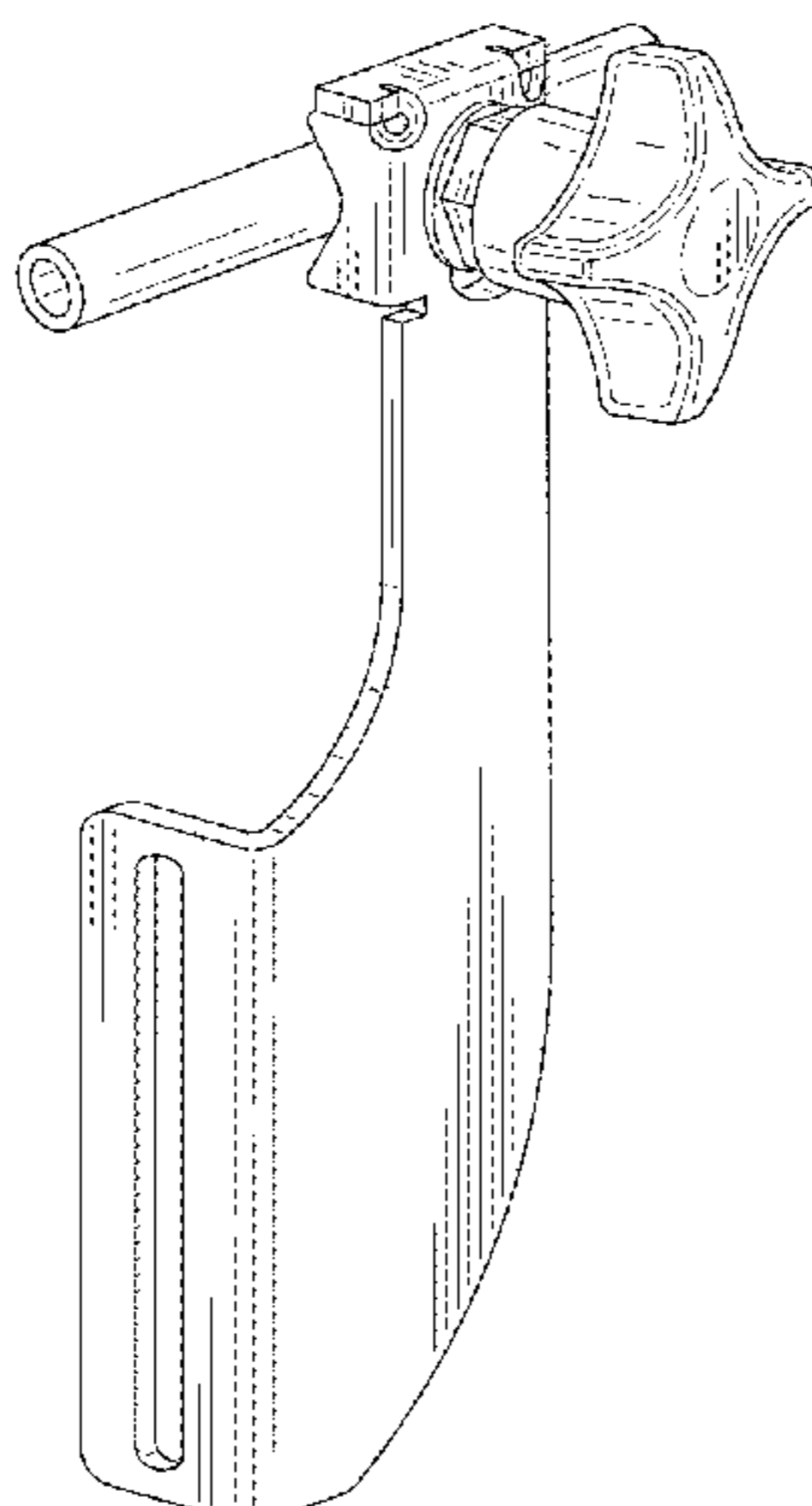
(57) **CLAIM**

The ornamental design for a guide rail support bracket assembly, as shown and described.

DESCRIPTION

FIG. 1 is a perspective view of my design for a guide rail support bracket assembly;
FIG. 2 is a front view thereof;
FIG. 3 is a back view thereof;
FIG. 4 is a right side view thereof;
FIG. 5 is a top view thereof;
FIG. 6 is a left side view thereof; and,
FIG. 7 is a bottom view thereof.
The broken lines in FIG. 3 represent a portion of the guide rail support bracket assembly that forms no part of the claimed design.

1 Claim, 3 Drawing Sheets



(56)

References Cited

U.S. PATENT DOCUMENTS

2002/0121428 A1* 9/2002 Ledingham B65G 21/2072
198/836.3
2013/0313374 A1* 11/2013 Magno, Jr. F16L 33/24
248/49
2015/0289651 A1* 10/2015 Floersch A47B 97/00
211/26
2015/0308098 A1* 10/2015 Tessadori E04F 13/0807
52/698
2017/0015214 A1* 1/2017 Kubo B60L 5/39
2017/0063300 A1* 3/2017 Ash H02S 20/23

OTHER PUBLICATIONS

Conveyor Components Guide Rail Bracket VG-210 Kit Double Rail
| eBay, update Jan. 31, 2017, [site visited May 23, 2017 10:20:16
PM], <http://www.ebay.com/itm/Conveyor-Components-Guide-Rail-Bracket-VG-210-Kit-Double-Rail-/122179071054>,*
Pobco Plastics—Bracket & Guide Rail Combos, website copyright
2014, <http://pobcoplastics.com/Support/bracket-guide-rail-combos.htm>, [site visited May 23, 2017 10:18:15 PM].*

* cited by examiner

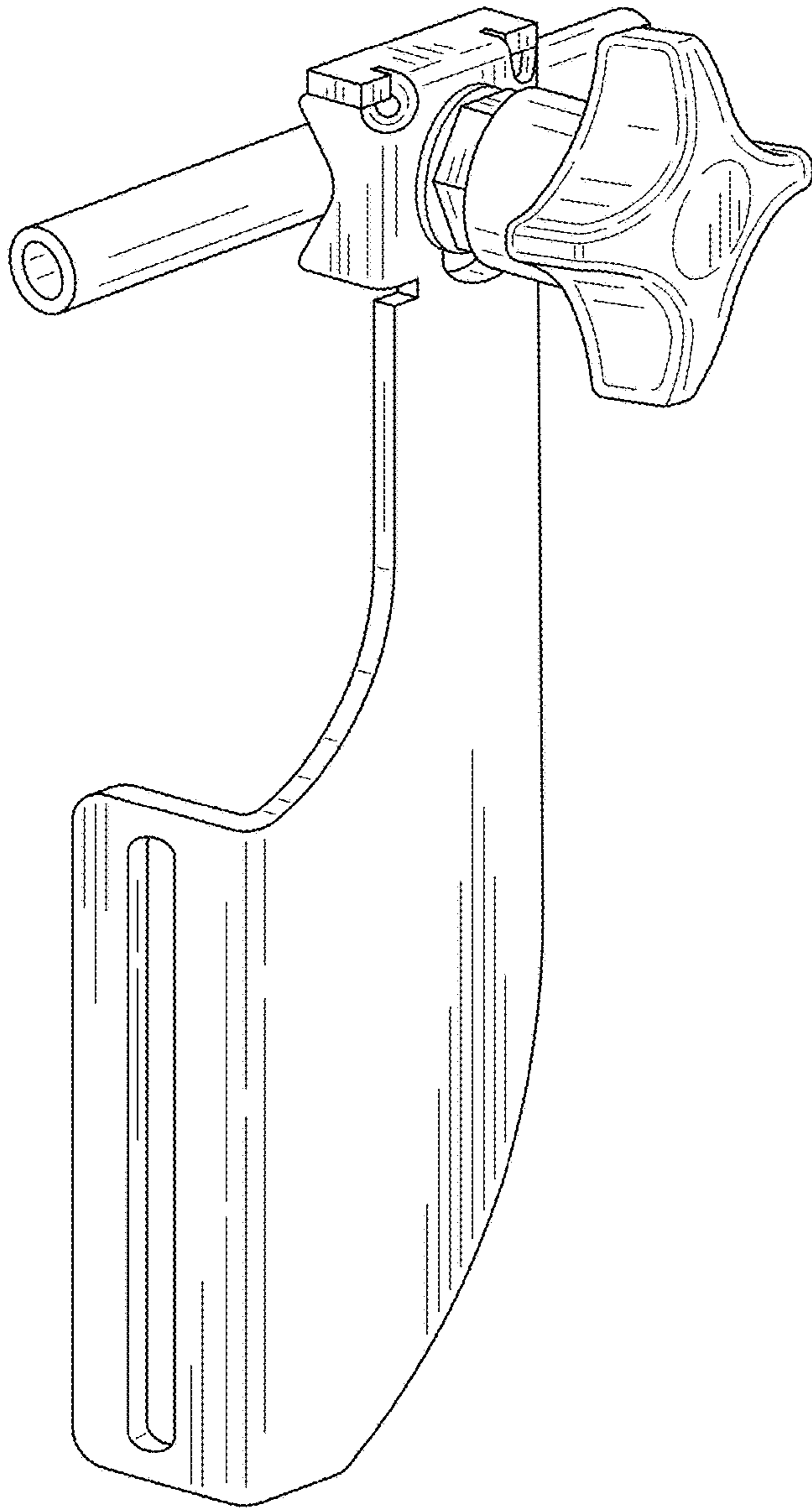


FIG. 1

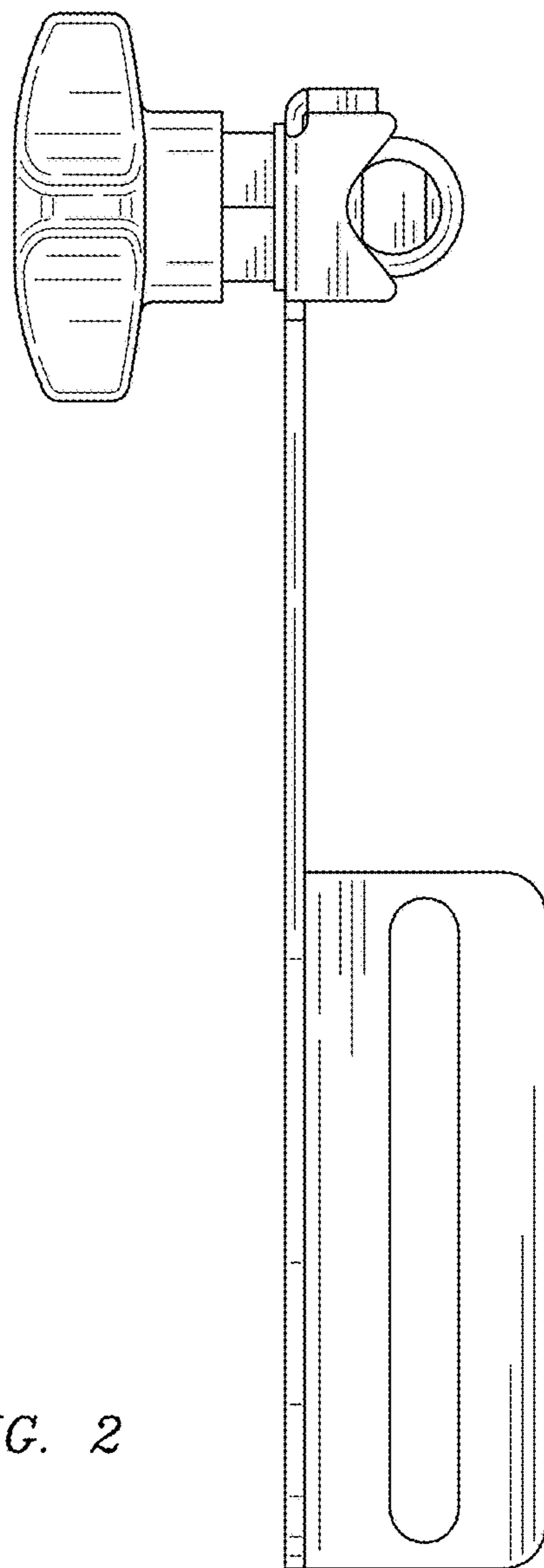


FIG. 2

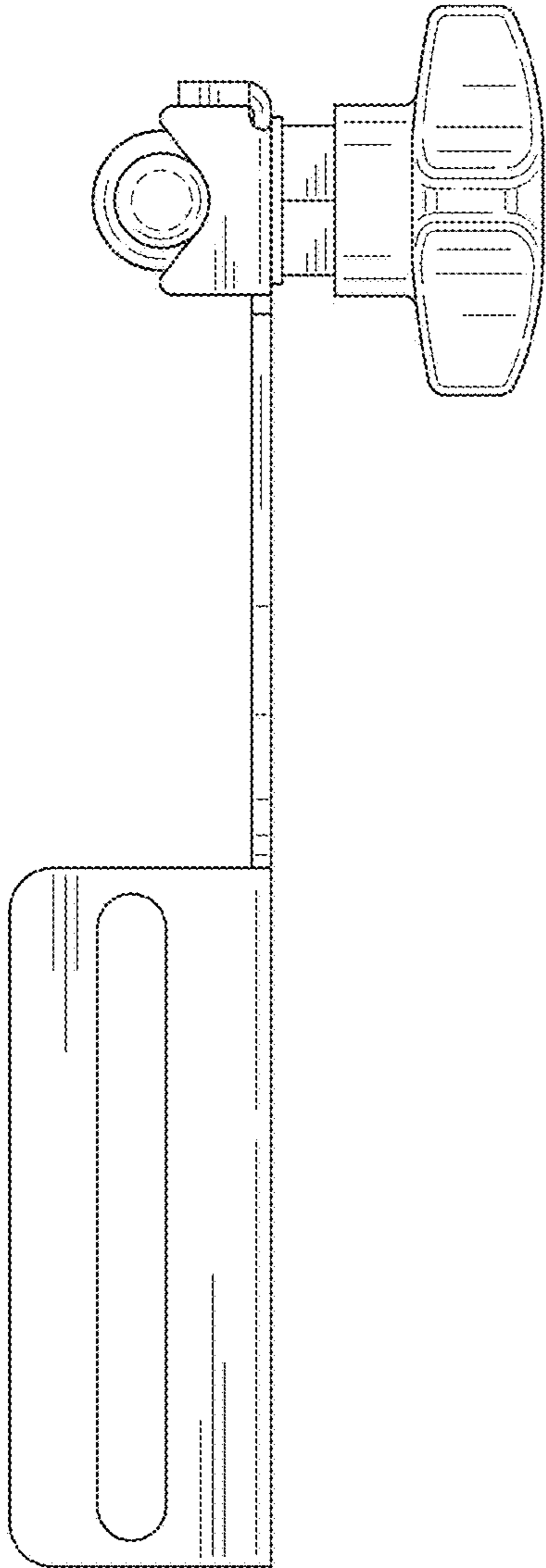


FIG. 3

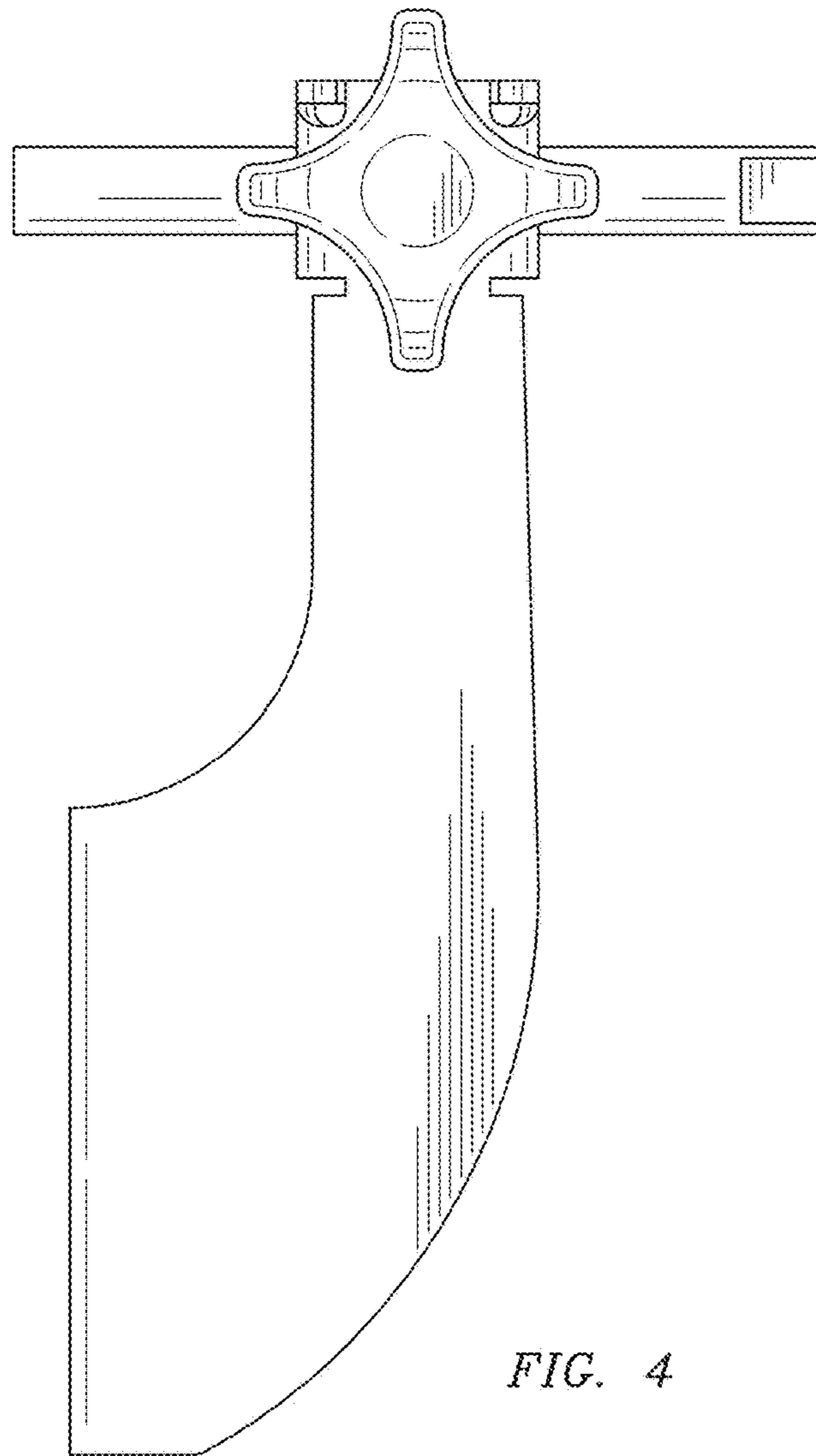


FIG. 4

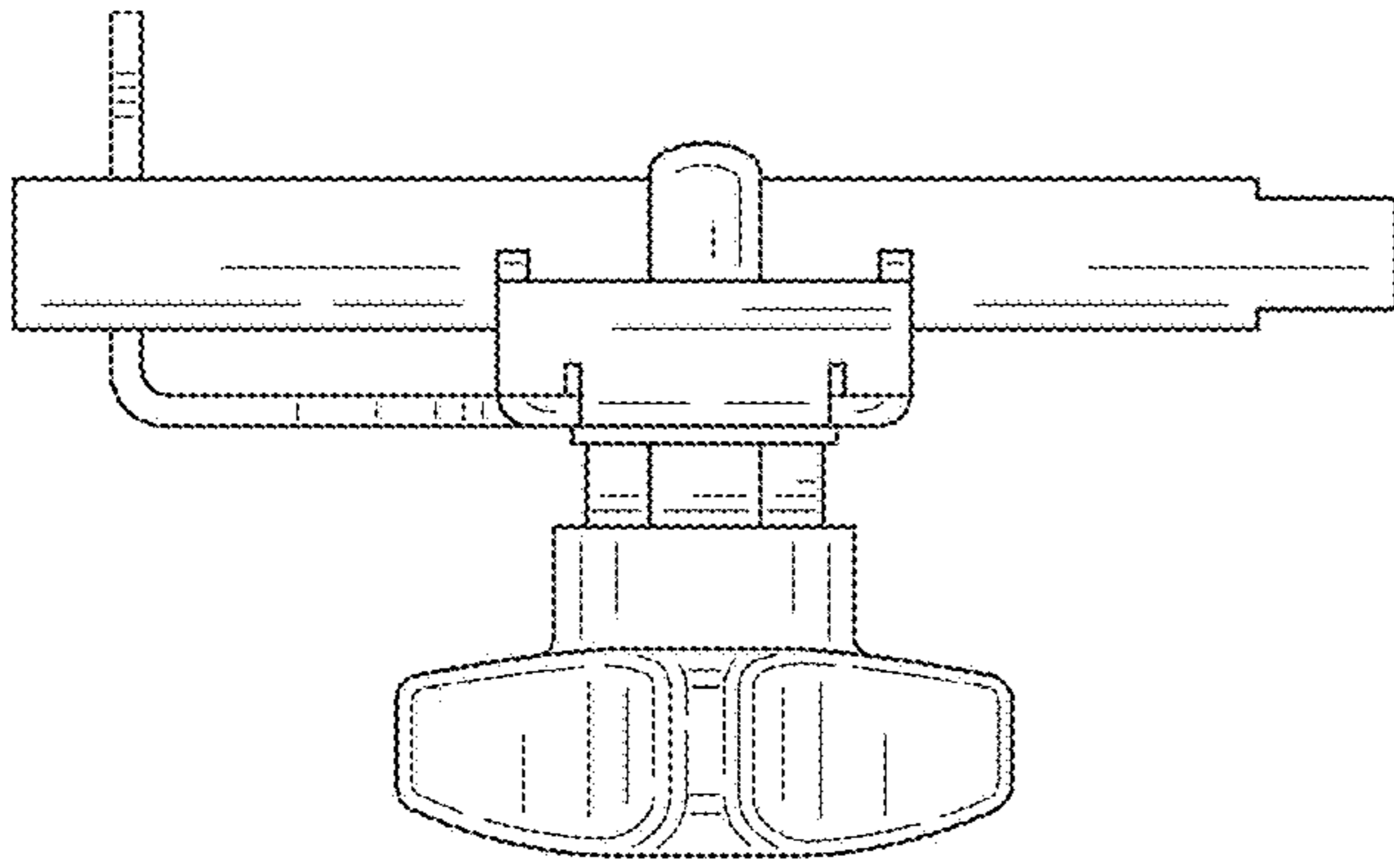


FIG. 5

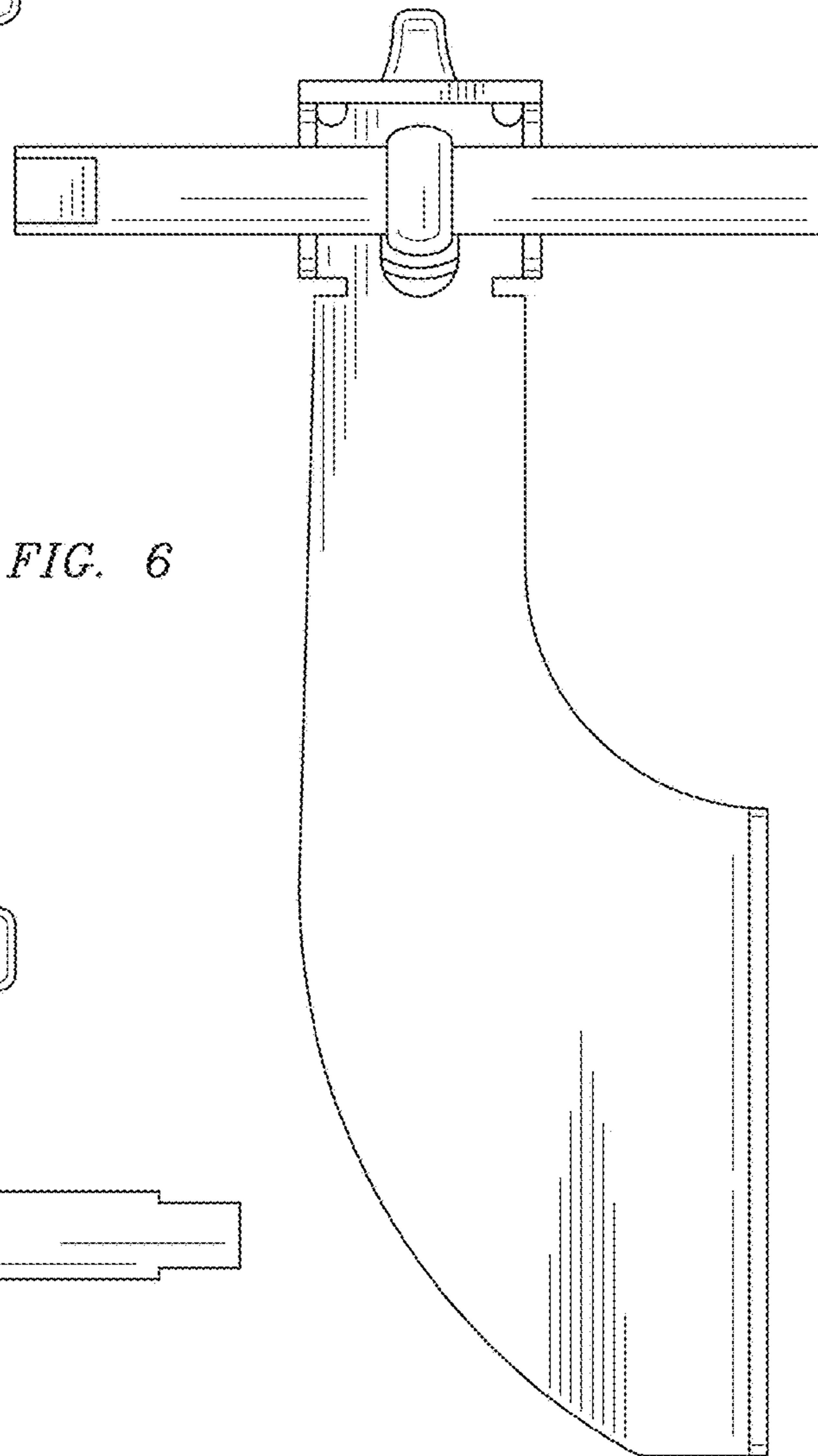


FIG. 6

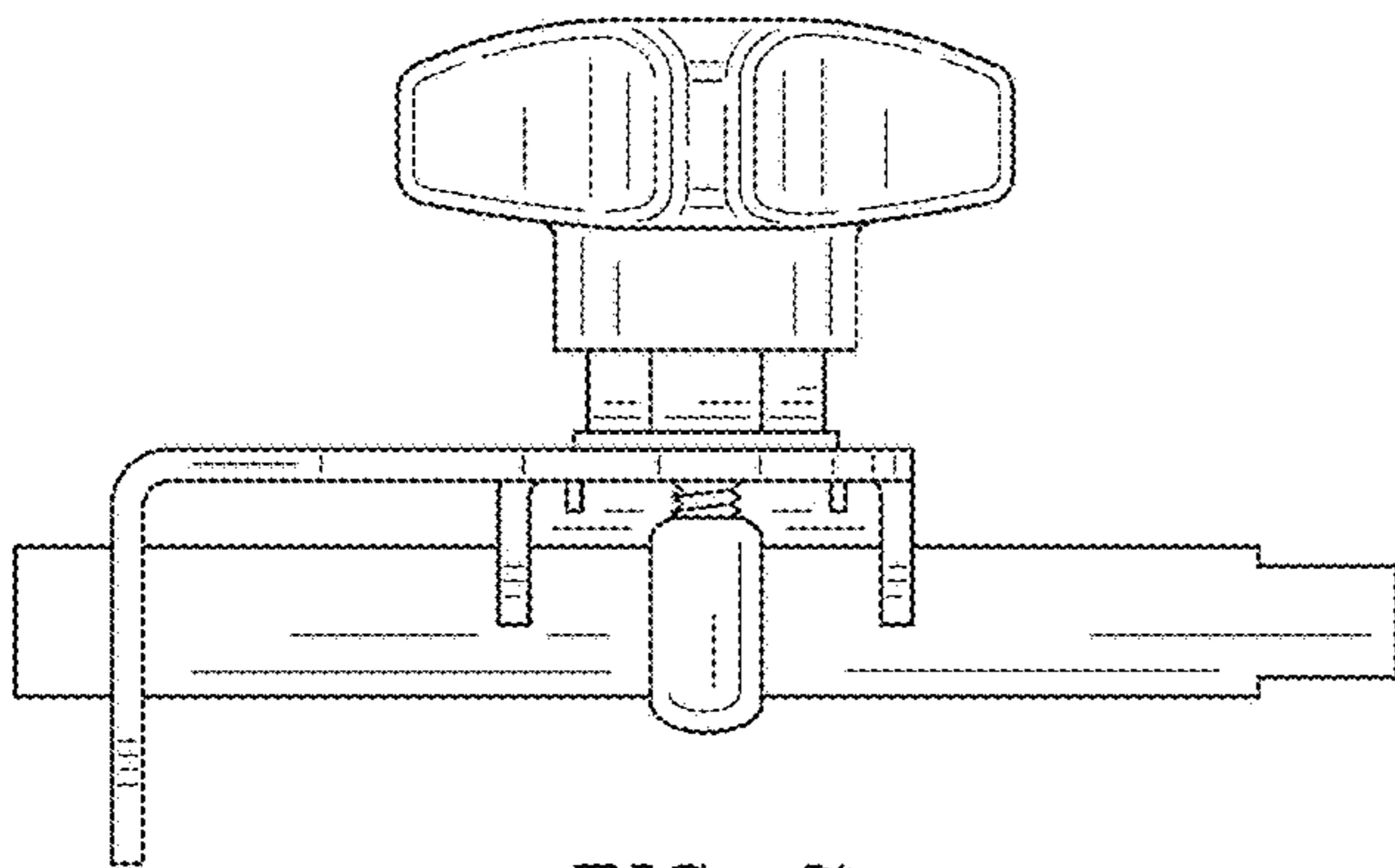


FIG. 7