



US00D814913S

(12) **United States Design Patent**
Baiz et al.

(10) **Patent No.:** **US D814,913 S**
(45) **Date of Patent:** **** Apr. 10, 2018**

(54) **SPIKED LUG NUT CAP**

(71) Applicants: **Enrique J. Baiz**, Davie, FL (US);
Oswaldo Izquierdo, Homestead, FL (US)

(72) Inventors: **Enrique J. Baiz**, Davie, FL (US);
Oswaldo Izquierdo, Homestead, FL (US)

(**) Term: **15 Years**

(21) Appl. No.: **29/610,800**

(22) Filed: **Jul. 14, 2017**

Related U.S. Application Data

(63) Continuation-in-part of application No. 29/546,171, filed on Nov. 19, 2015, now Pat. No. Des. 792,199.

(51) **LOC (11) Cl.** **08-08**

(52) **U.S. Cl.**
USPC **D8/387**; D8/397

(58) **Field of Classification Search**
USPC D8/382, 387, 388, 391, 393, 397, 399;
D12/202, 213, 223, 400, 207, 208
CPC F16B 37/00; F16B 37/14; F16B 37/145;
F16B 35/04; F16B 35/06; F16B 41/00;
F16B 41/002; F16B 41/005; B60B 23/06;
B60B 23/08; Y10S 411/91; Y10S
411/914; Y10S 411/915; Y10T 70/5867
See application file for complete search history.

(56) **References Cited**

U.S. PATENT DOCUMENTS

1,115,307 A * 10/1914 Guffee F16B 41/002
29/235
D731,300 S * 6/2015 Vargas D8/397
D780,564 S * 3/2017 Baiz D8/387
D786,056 S * 5/2017 Baiz D8/387

D786,057 S * 5/2017 Baiz D8/397
D789,780 S * 6/2017 Kim D8/397
D792,199 S * 7/2017 Baiz D8/387
D792,203 S * 7/2017 Baiz D8/397
D792,205 S * 7/2017 Baiz D8/397
D793,220 S * 8/2017 Baiz D8/397
D793,221 S * 8/2017 Baiz D8/397
D795,053 S * 8/2017 Baiz D8/397
2017/0144478 A1 * 5/2017 Baiz B60B 7/0013

* cited by examiner

Primary Examiner — Sandra S Snapp

Assistant Examiner — Ieisha N Price

(74) *Attorney, Agent, or Firm* — Quickpatents, LLC;
Kevin Prince

(57) **CLAIM**

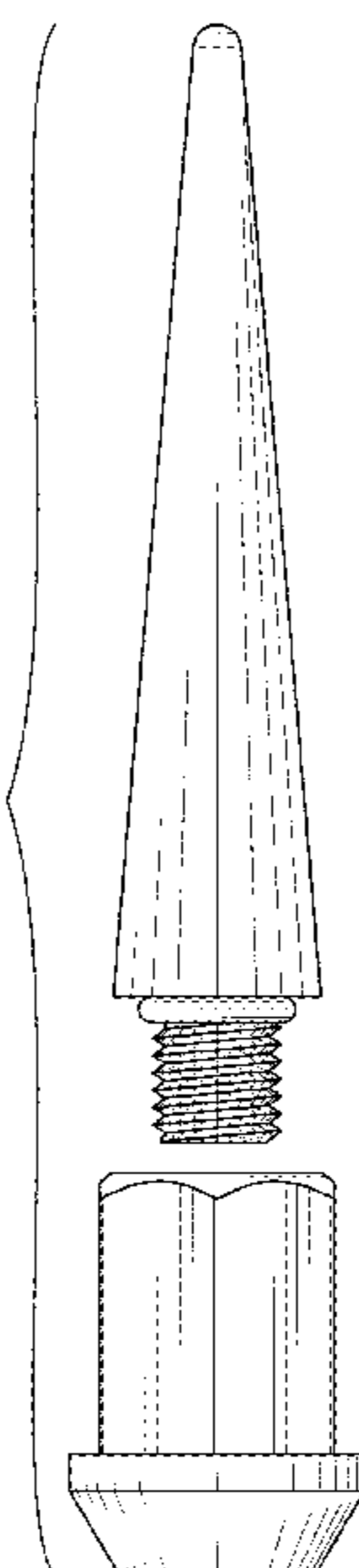
We claim the ornamental design for a spiked lug nut cap, as shown and described.

DESCRIPTION

FIG. 1 is a front elevational view of a spiked lug nut cap, showing our new design with the rear elevational view being a mirror image thereof;
FIG. 2 is a top plan view thereof, with the spiked lug nut cap separated for ease of illustration;
FIG. 3 is a bottom plan view thereof, with the spiked lug nut cap separated for ease of illustration;
FIG. 4 is a top, side perspective view thereof;
FIG. 5 is a second top, side perspective view showing the opposite side of FIG. 4;
FIG. 6 is a bottom, side perspective view thereof;
FIG. 7 is a second bottom, side perspective view showing the opposite side of FIG. 6; and,
FIG. 8 is a cross-sectional view thereof, taken along lines 8--8 of FIG. 2.

The broken lines in the drawings illustrate portions of the spiked lug nut cap and form no part of the claimed design.

1 Claim, 3 Drawing Sheets



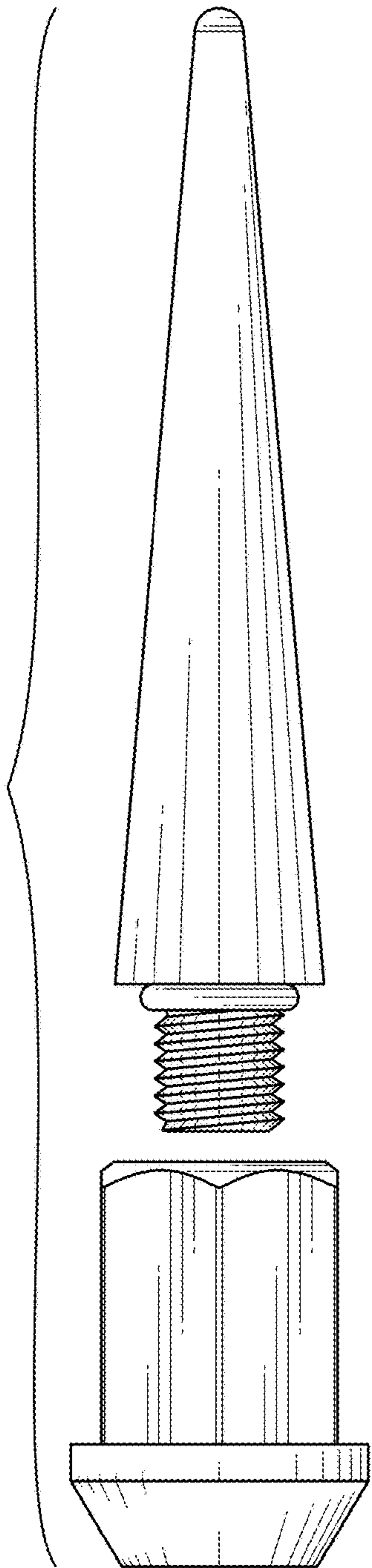


FIG. 1

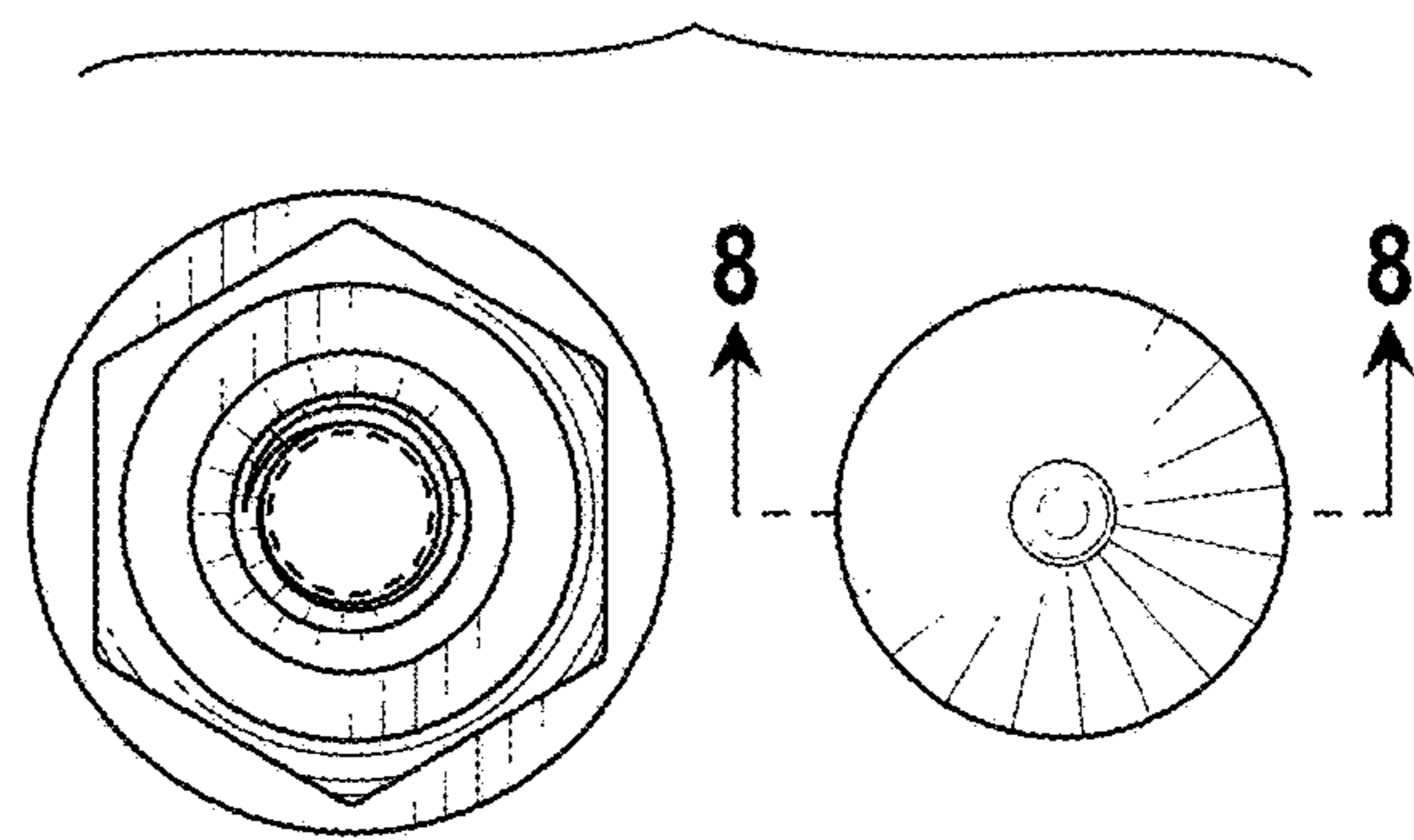


FIG. 2

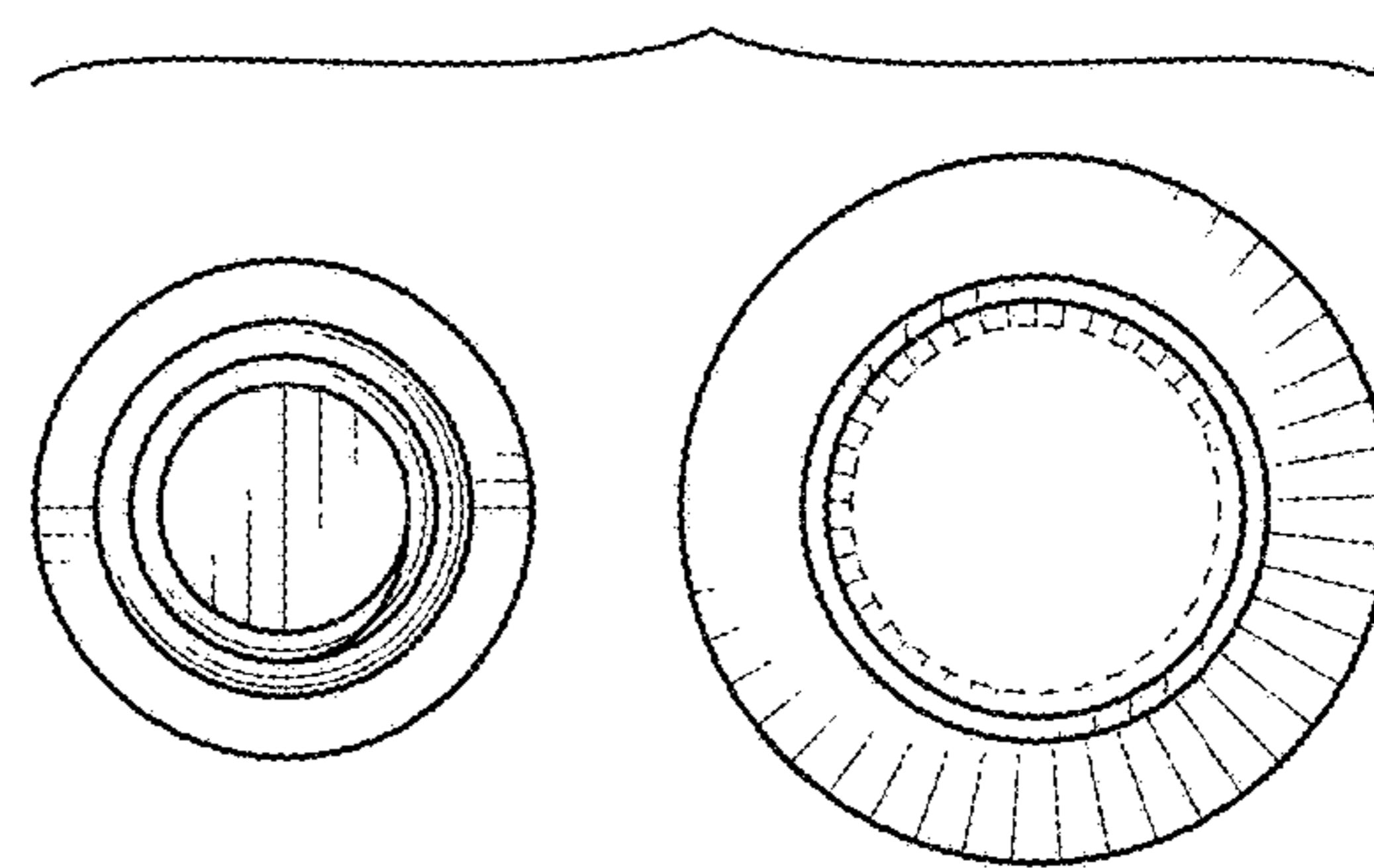


FIG. 3

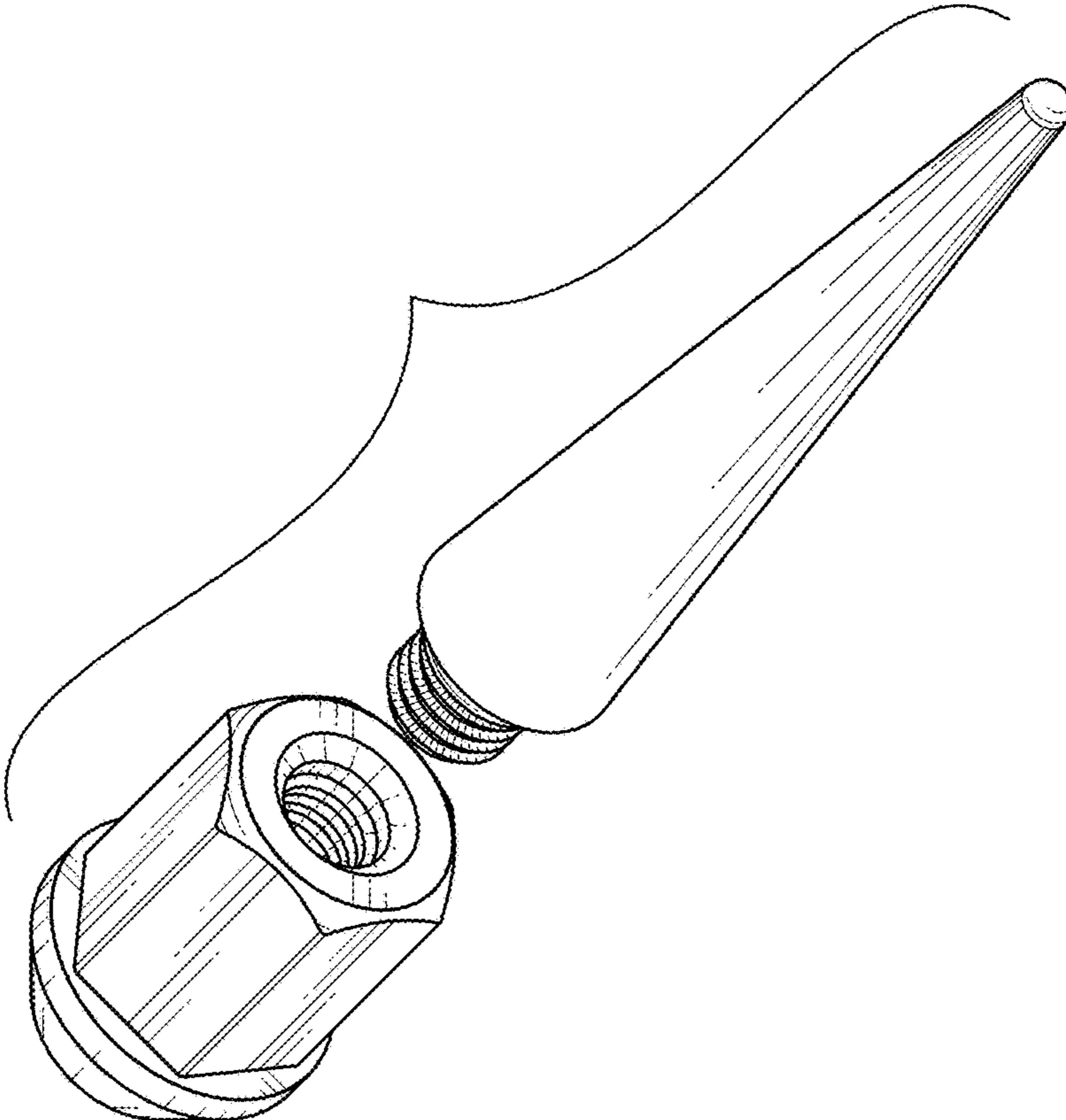


FIG. 4

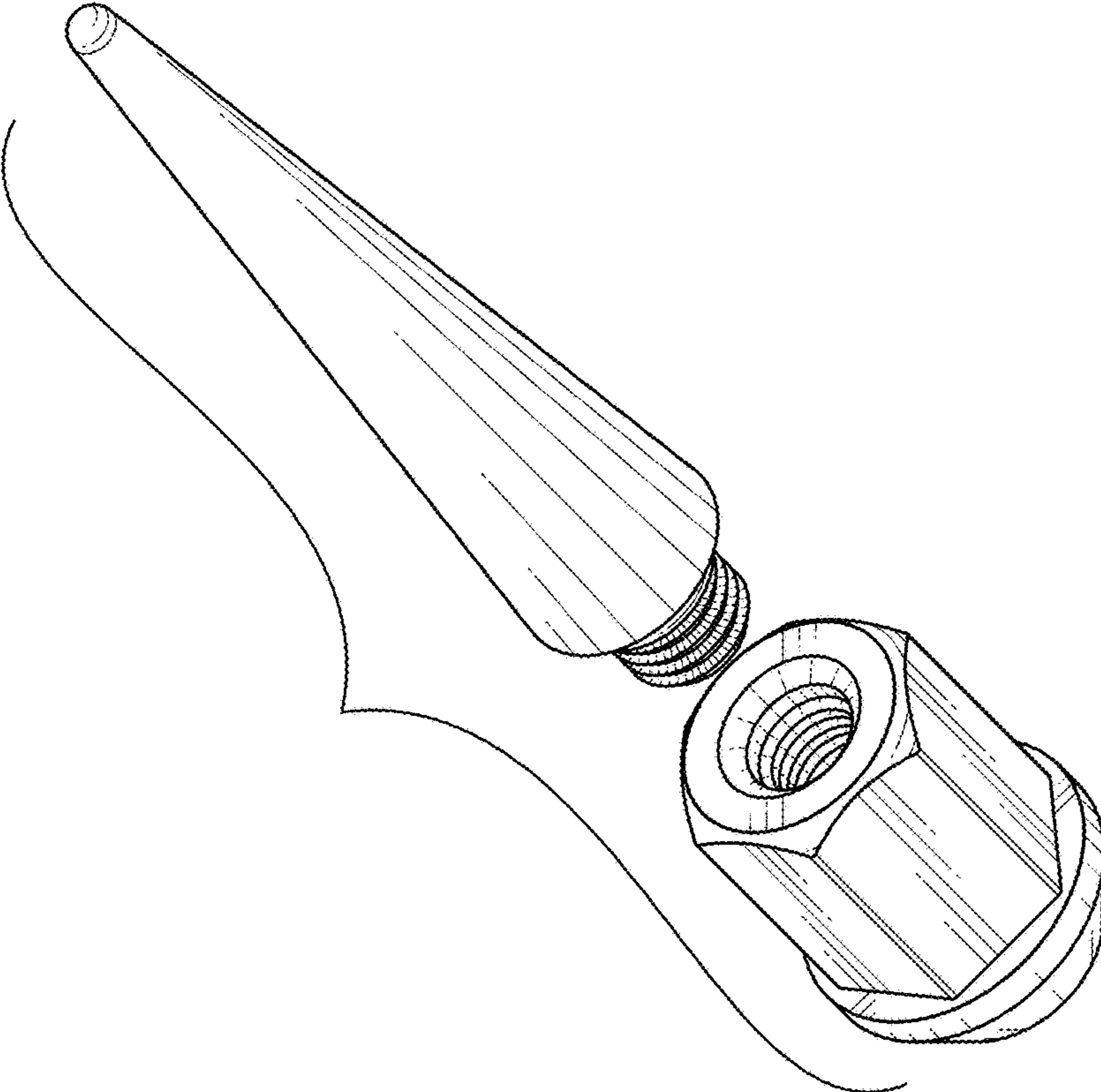


FIG. 5

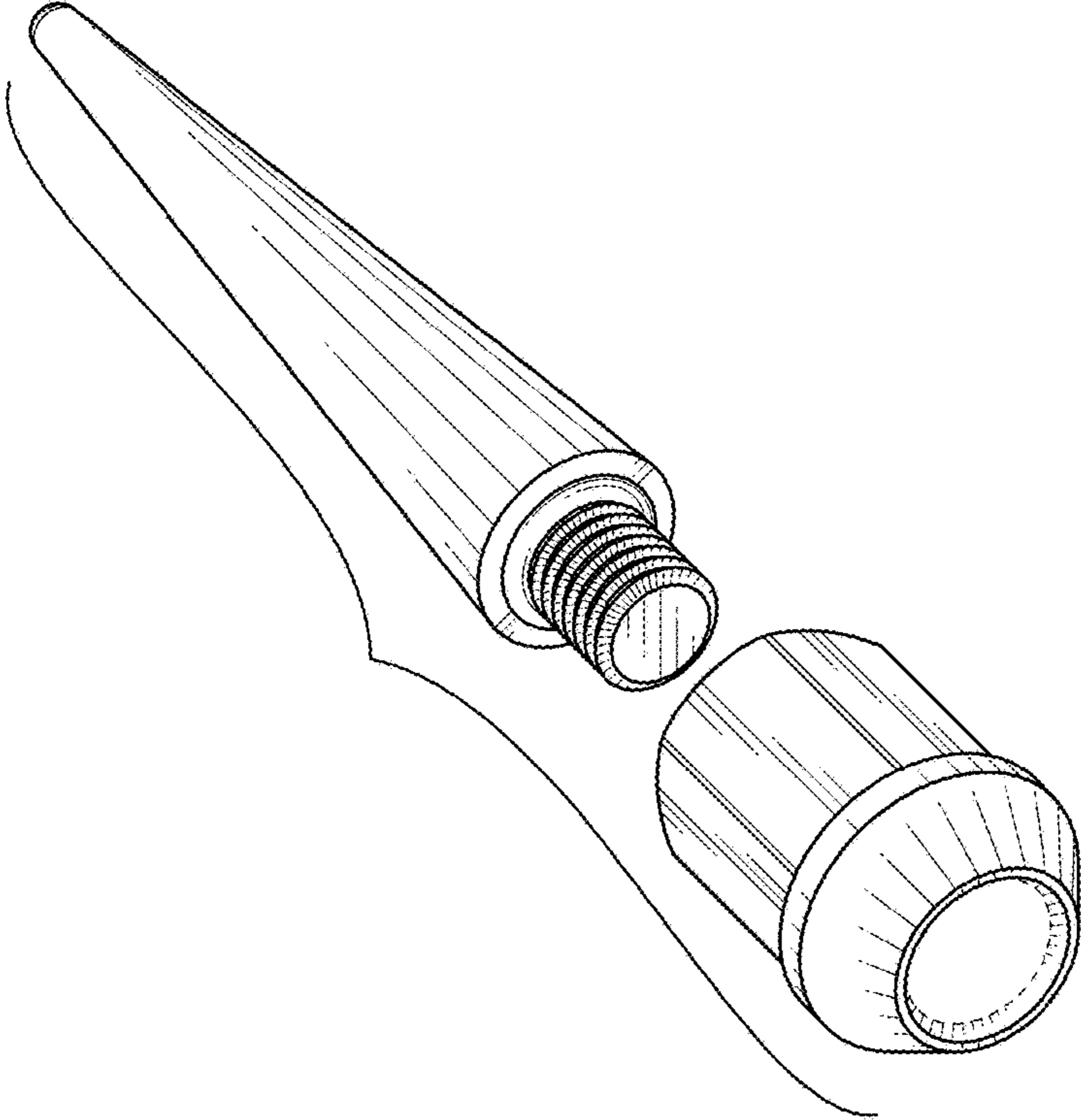


FIG. 7

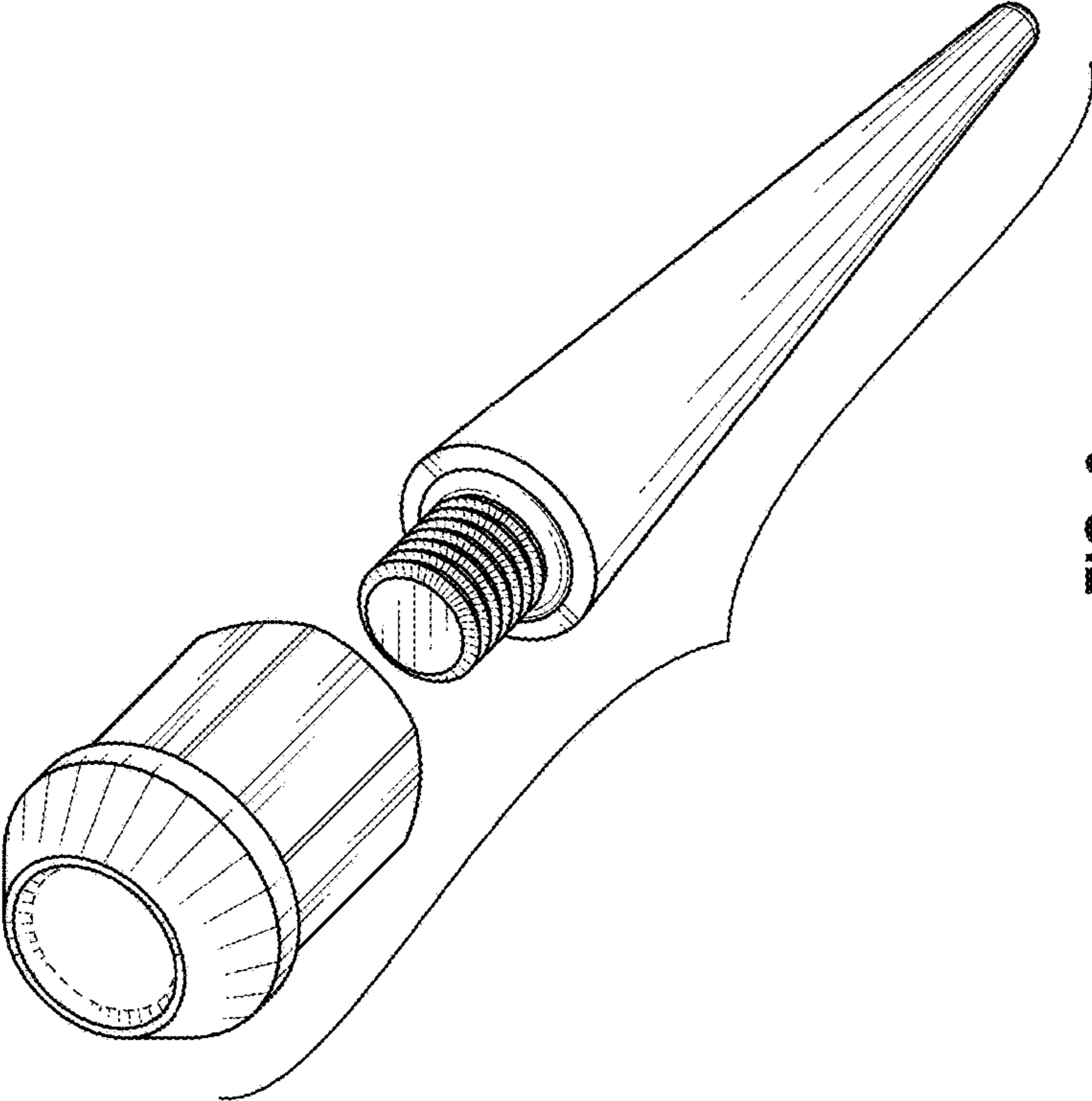


FIG. 6

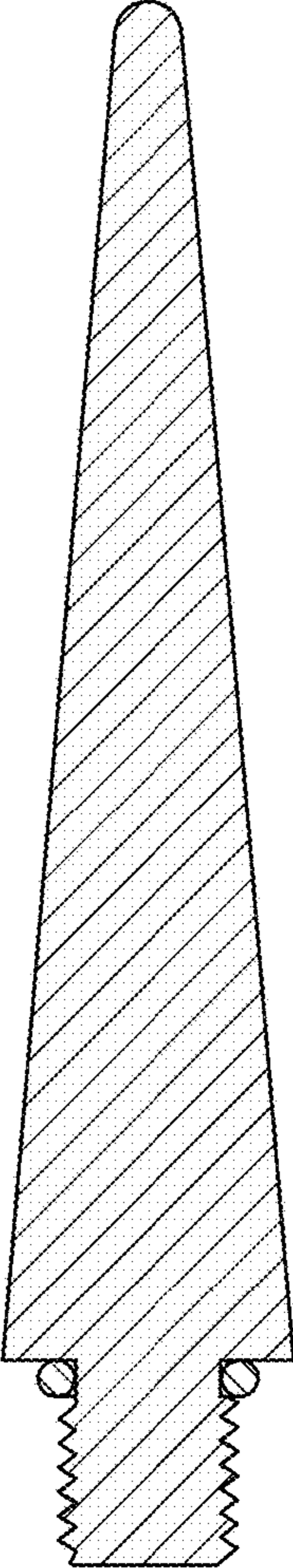


FIG. 8