



US00D814911S

(12) **United States Design Patent** (10) **Patent No.:** **US D814,911 S**
MacDonald et al. (45) **Date of Patent:** **** Apr. 10, 2018**

(54) **CONNECTOR** 3,946,877 A * 3/1976 Galicia A47K 1/09
211/65
(71) Applicants: **Robert A. MacDonald**, Plymouth, MN 4,263,765 A 4/1981 Maloney
(US); **Robert John Lundell**, Stillwater, MN (US) D269,851 S * 7/1983 Kimura D8/356
4,703,602 A 11/1987 Pardo
4,765,109 A 8/1988 Boeshart
(72) Inventors: **Robert A. MacDonald**, Plymouth, MN D317,112 S * 5/1991 Newwirth D8/356
(US); **Robert John Lundell**, Stillwater, MN (US) D333,256 S * 2/1993 Newcomer D8/356
(Continued)

FOREIGN PATENT DOCUMENTS

WO WO 2011/109621 A1 9/2011

OTHER PUBLICATIONS

Oct. 23, 2017 PCT Invitation to Pay Additional Fees in correspond-
ing International Application No. PCT/US2017/042761 (12 pages).
(Continued)

(73) Assignee: **KEYSTONE RETAINING WALL SYSTEMS LLC**, West Chester, OH (US)
(**) Term: **15 Years**
(21) Appl. No.: **29/571,762**
(22) Filed: **Jul. 21, 2016**
(51) **LOC (11) Cl.** **08-08**
(52) **U.S. Cl.**
USPC **D8/382**
(58) **Field of Classification Search**
USPC D8/349, 354, 373, 380, 382, 388, 389,
D8/390, 394
CPC E04B 2/00; E04B 2002/0202; E04B
2001/405; E04B 1/35; E04B 1/41; E04B
1/4178; E04F 13/07; E04F 13/21; E04F
13/22; E04F 13/24; E04F 13/26; E04F
2201/0511; E04F 2201/0517
See application file for complete search history.

Primary Examiner — Sandra S Snapp
Assistant Examiner — Ieisha N Price
(74) *Attorney, Agent, or Firm* — Popovich, Wiles & O'Connell, P.A.

(57) **CLAIM**

The ornamental design for a connector, as shown and described.

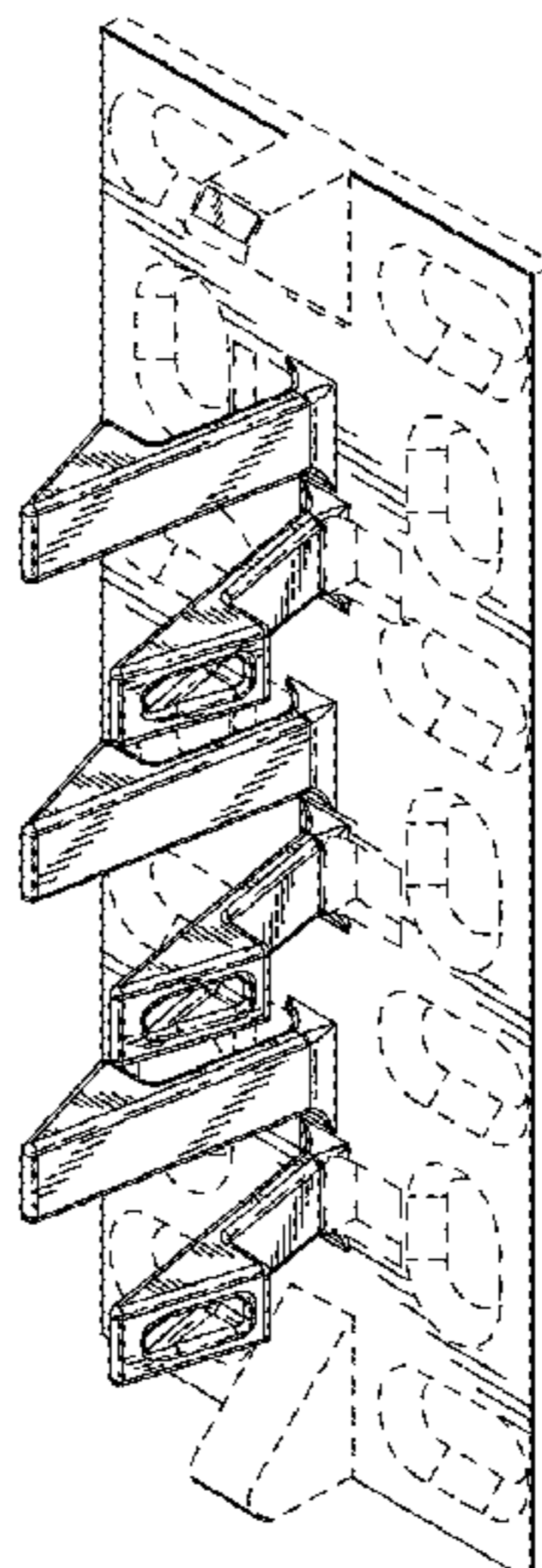
DESCRIPTION

FIG. 1 is a left side top perspective view of a connector;
FIG. 2 is a right side top perspective view thereof;
FIG. 3 is a right side elevational view thereof;
FIG. 4 is a rear side elevational view thereof;
FIG. 5 is a left side elevational view thereof;
FIG. 6 is a top plan view thereof;
FIG. 7 is a front side elevational view thereof; and,
FIG. 8 is a bottom plan view thereof.
The broken lines in the figures depict portions of the connector that form no part of the claimed design.

1 Claim, 3 Drawing Sheets

(56) **References Cited**
U.S. PATENT DOCUMENTS

1,366,470 A * 1/1921 Lampert E04B 1/41
52/379
1,593,297 A 7/1926 Gilmer
1,962,906 A 6/1934 Mueller
2,316,819 A * 4/1943 Tedrow E04B 2/8641
52/281
2,569,021 A * 9/1951 Rozanski A47F 5/0884
211/120



(56)

References Cited

U.S. PATENT DOCUMENTS

D379,060 S * 5/1997 Laga D8/373
 5,735,643 A 4/1998 Castonguay et al.
 5,788,423 A 8/1998 Perkins
 5,845,448 A 12/1998 Potvin
 6,148,576 A 11/2000 Janopaul, Jr.
 6,230,462 B1 5/2001 Beliveau
 6,247,280 B1 6/2001 Grinshpun et al.
 6,314,697 B1 11/2001 Moore, Jr.
 6,318,040 B1 * 11/2001 Moore, Jr. E04B 2/8617
 52/379
 D454,740 S * 3/2002 Baggott D6/534
 6,393,789 B1 5/2002 Lanclos
 6,401,419 B1 6/2002 Beliveau
 6,526,713 B2 3/2003 Moore, Jr.
 6,536,994 B2 3/2003 Race
 D477,771 S * 7/2003 Nemoto D8/382
 6,668,503 B2 12/2003 Beliveau
 6,792,729 B2 9/2004 Beliveau
 6,978,581 B1 12/2005 Spakousky
 7,082,731 B2 8/2006 Patz et al.
 7,082,732 B2 * 8/2006 Titishov E04B 2/8617
 52/426
 7,415,805 B2 8/2008 Nickerson
 D597,402 S * 8/2009 Garza D8/354
 7,827,752 B2 11/2010 Scherer

8,234,828 B2 8/2012 MacDonald
 D677,097 S * 3/2013 Page D6/606
 8,402,701 B2 3/2013 Artoon
 8,511,024 B2 8/2013 MacDonald et al.
 8,613,174 B2 * 12/2013 Garrett E04B 2/8635
 52/309.11
 8,656,678 B2 2/2014 MacDonald
 D756,535 S * 5/2016 Schlipf D25/68
 D774,381 S * 12/2016 Huang D8/354
 D774,876 S * 12/2016 Huang D8/354
 D776,515 S * 1/2017 Huang D8/354
 D777,561 S * 1/2017 Huang D8/354
 D785,442 S * 5/2017 Tseng D8/354
 2005/0252144 A1 11/2005 MacDonald et al.
 2007/0044426 A1 3/2007 Deans
 2007/0151190 A1 7/2007 Huff et al.
 2008/0313988 A1 12/2008 MacDonald
 2009/0151281 A1 6/2009 MacDonald et al.
 2011/0072753 A1 3/2011 MacDonald

OTHER PUBLICATIONS

Jan. 2, 2018 PCT Transmittal of the International Search Report and the Written Opinion in corresponding International Application No. PCT/US2017/042761 (16 pages).

* cited by examiner

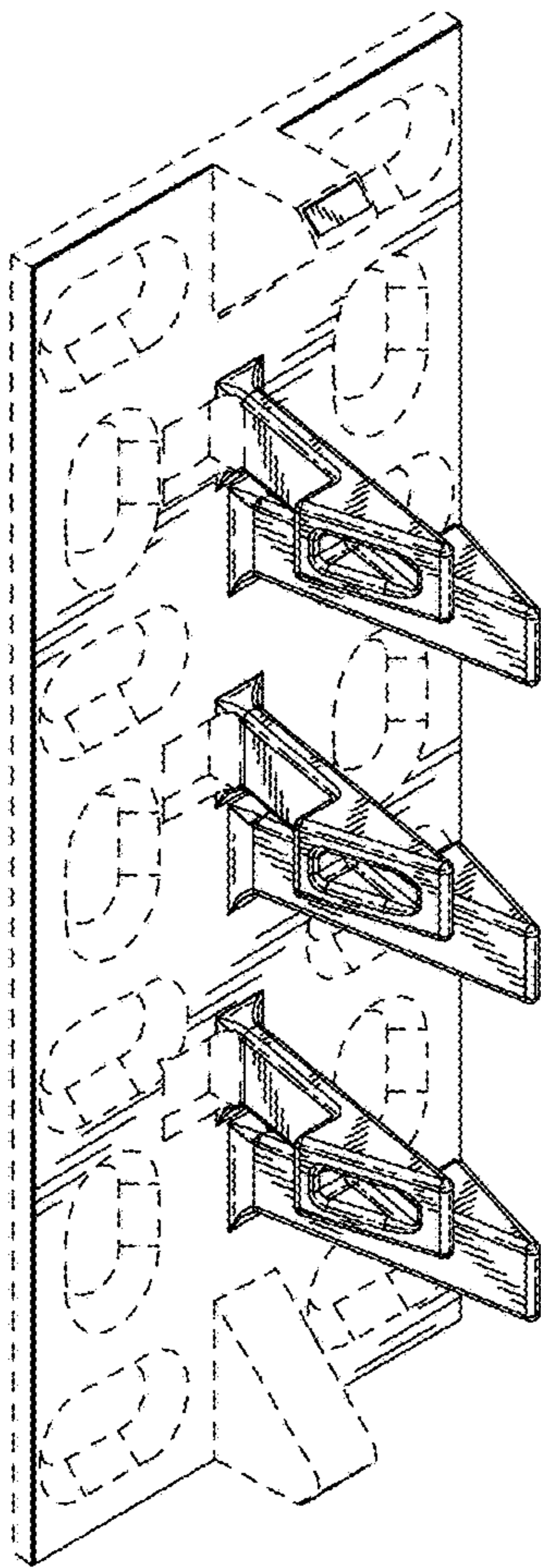


Fig. 1

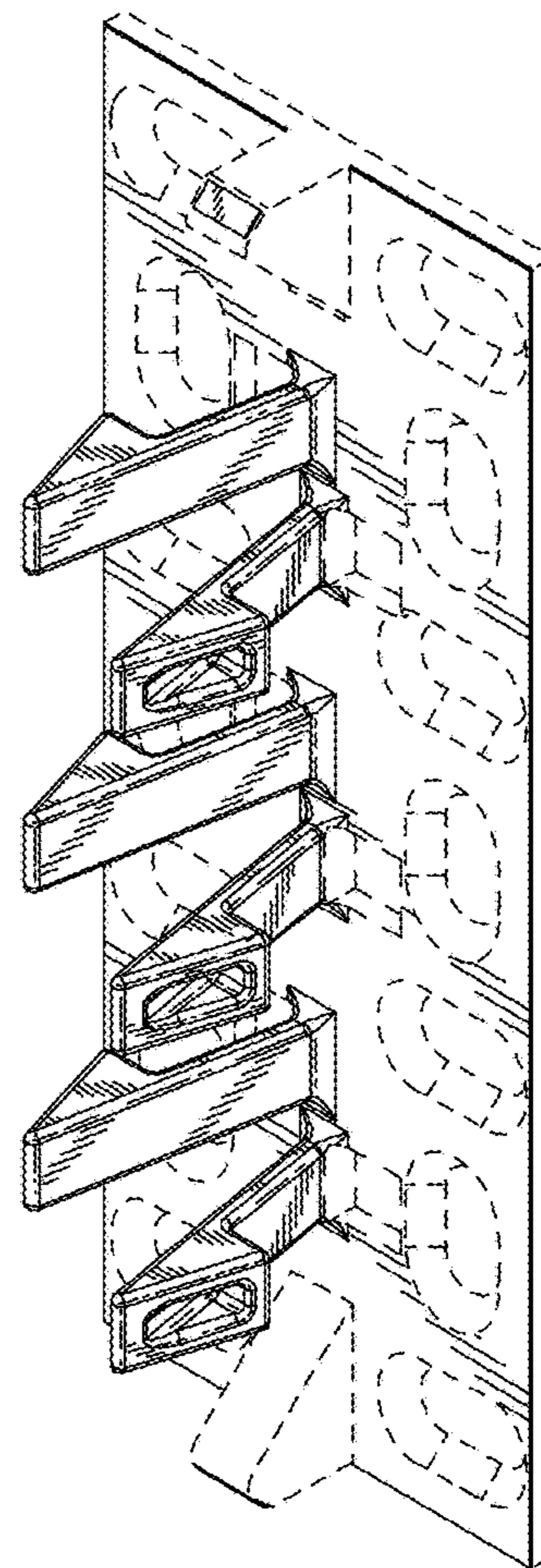


Fig. 2

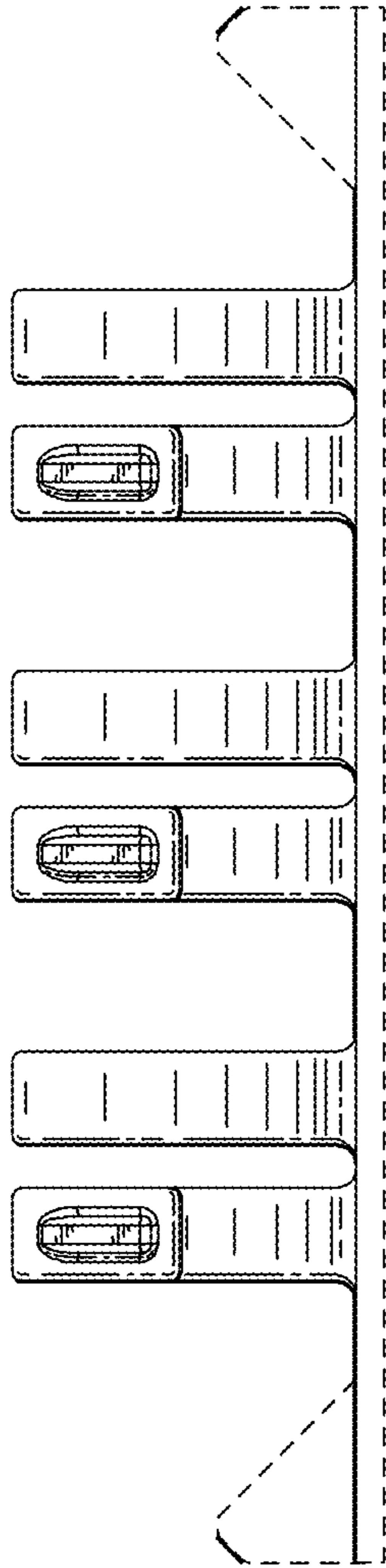


Fig. 3

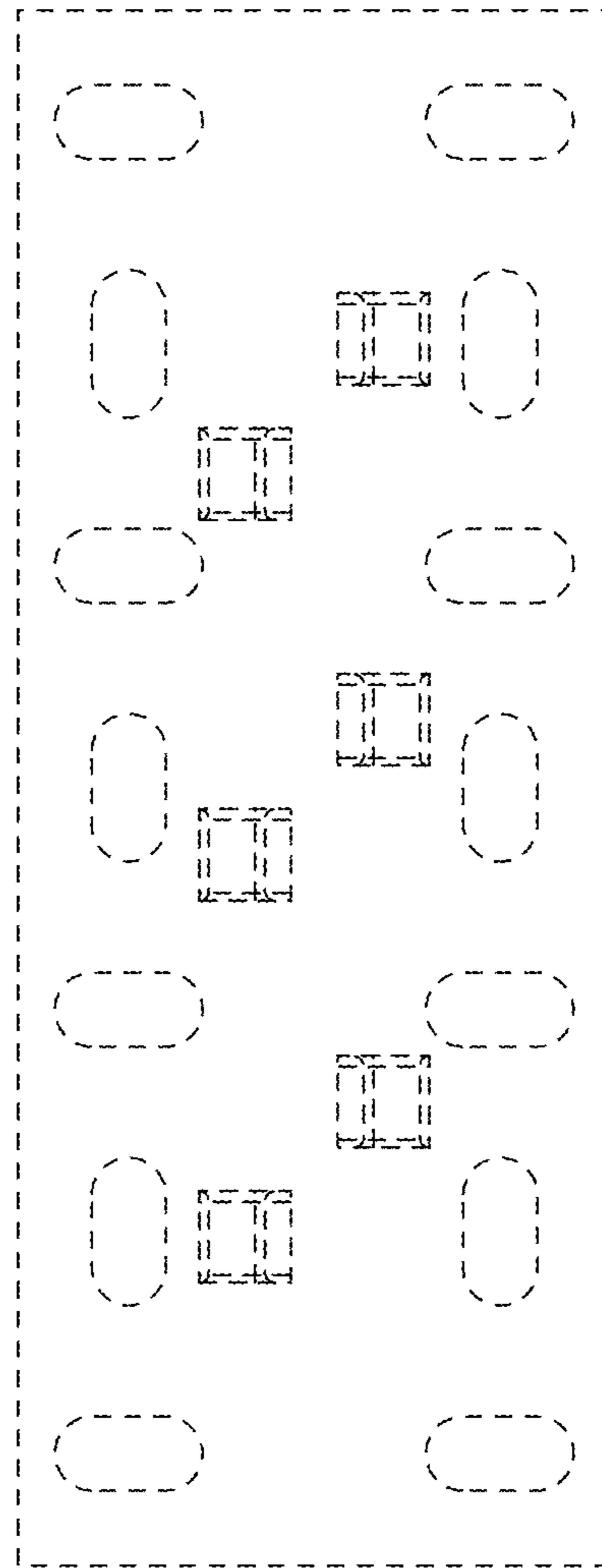


Fig. 4

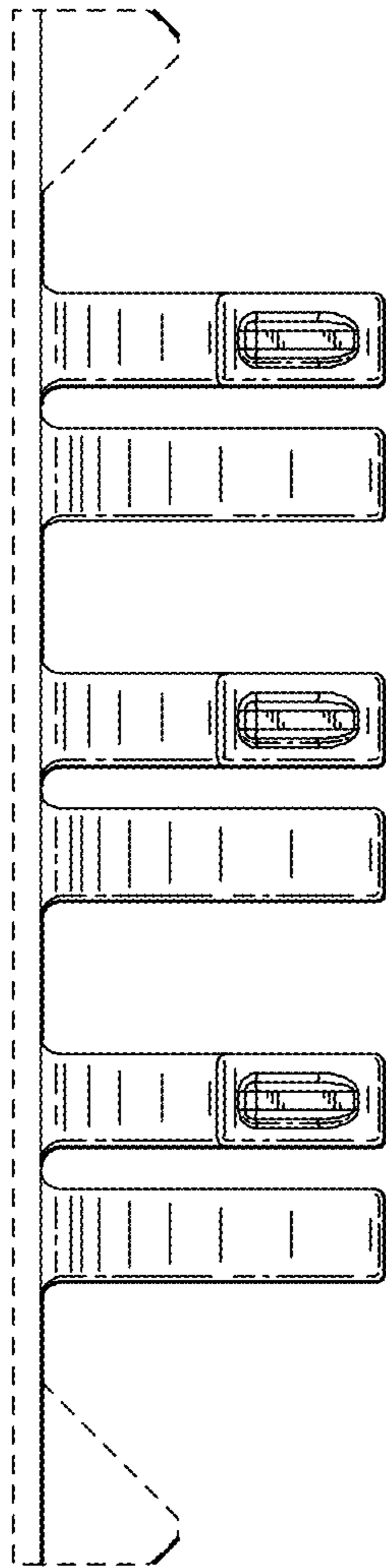


Fig. 5

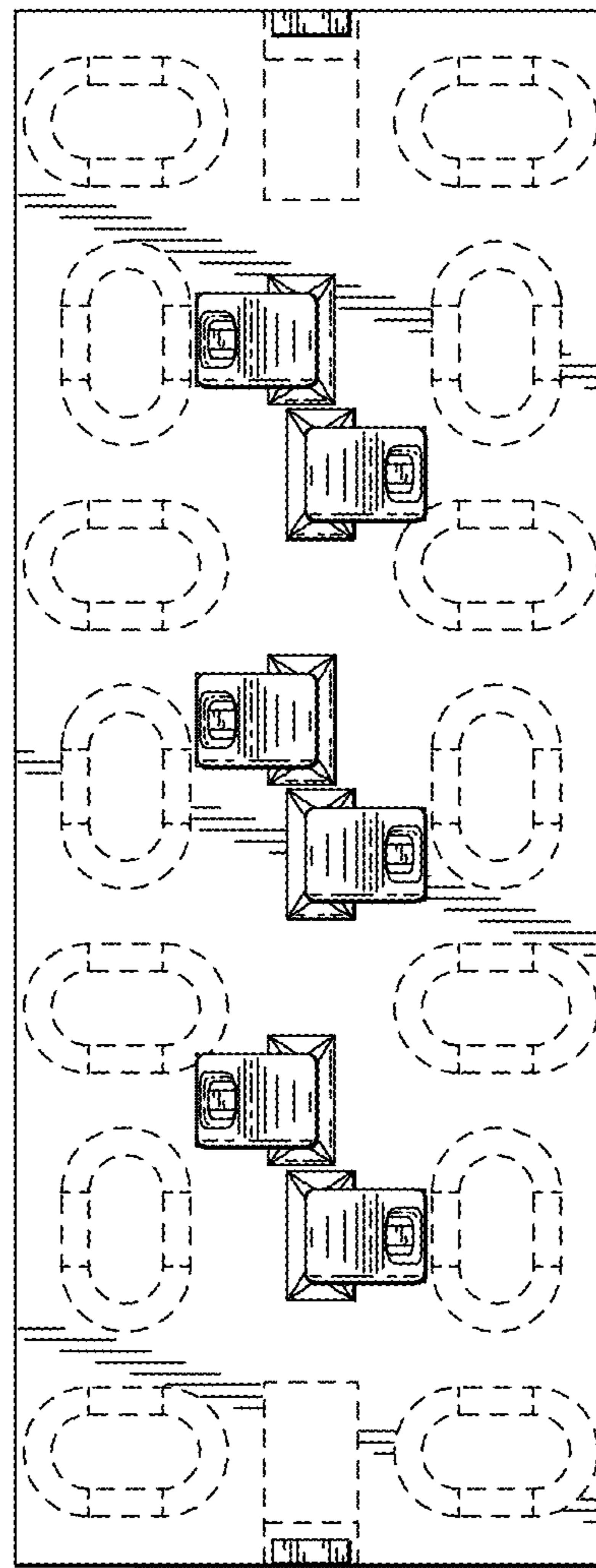


Fig. 7

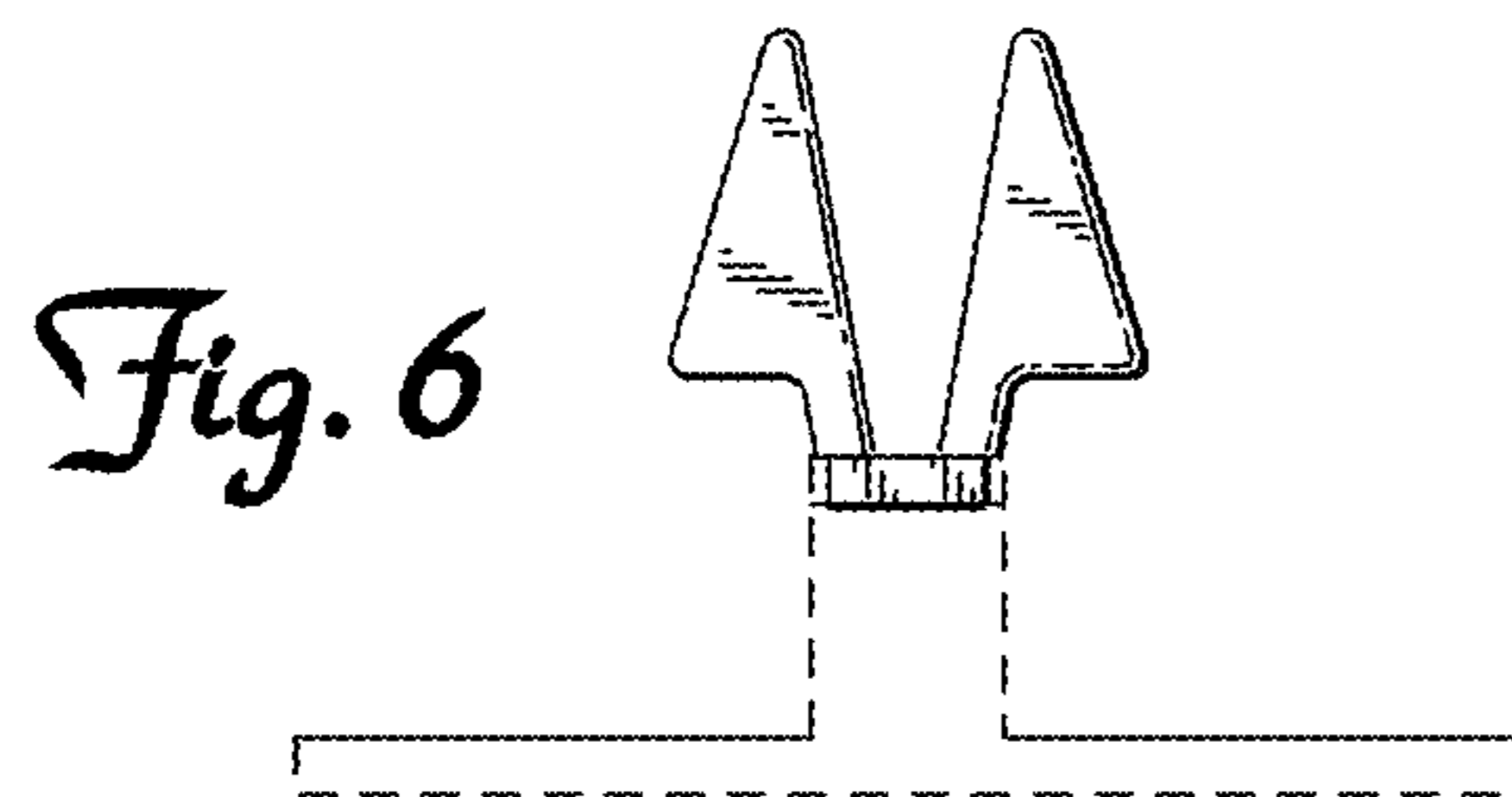


Fig. 6

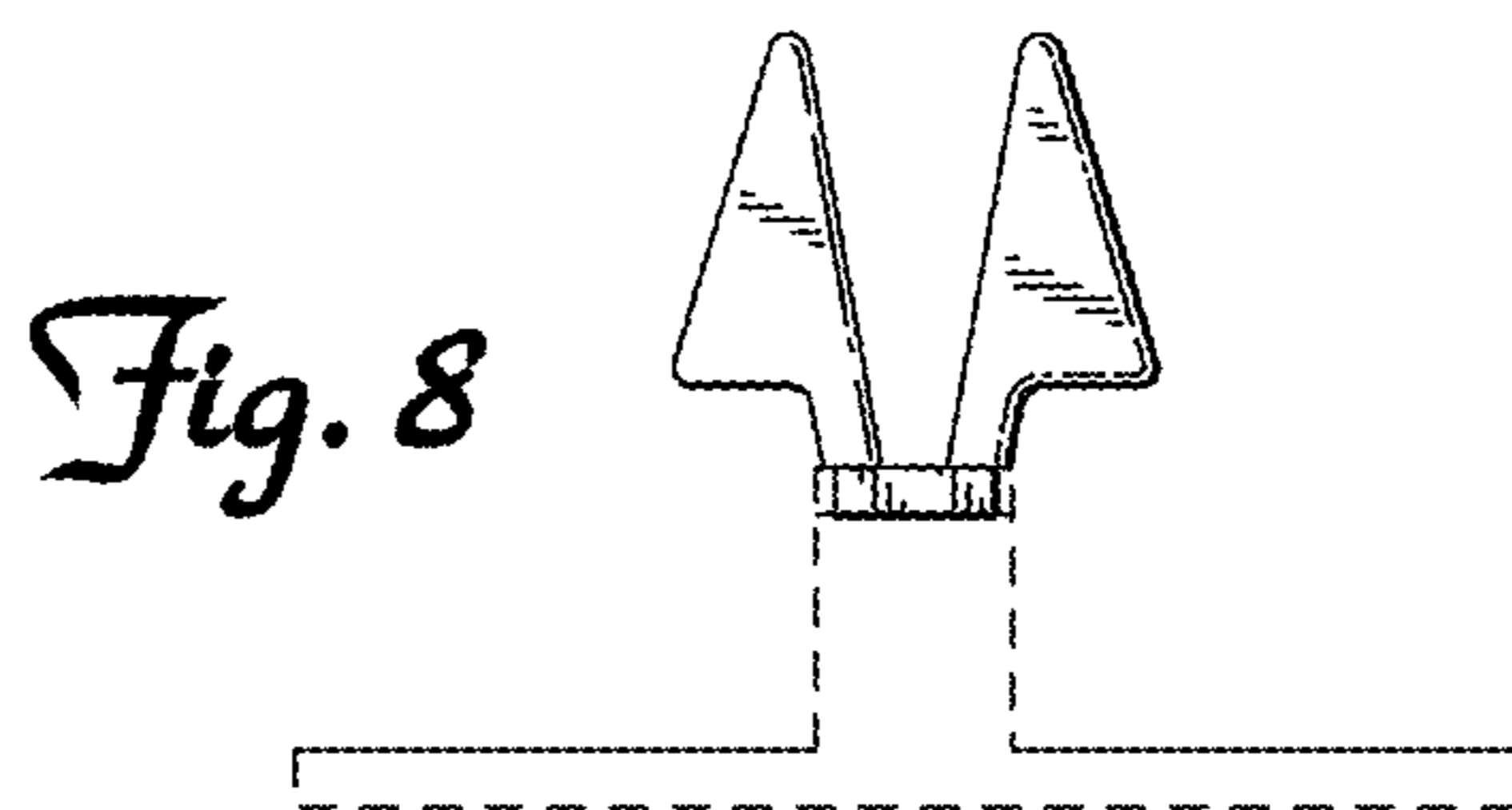


Fig. 8