



US00D814908S

(12) **United States Design Patent**
Garland

(10) **Patent No.:** **US D814,908 S**

(45) **Date of Patent:** **** Apr. 10, 2018**

(54) **ROBE HOOK**

(71) Applicant: **DELTA FAUCET COMPANY,**
Indianapolis, IN (US)

(72) Inventor: **Celine Kwok Garland,** Zionsville, IN
(US)

(73) Assignee: **DELTA FAUCET COMPANY,**
Indianapolis, IN (US)

(**) Term: **15 Years**

(21) Appl. No.: **29/595,209**

(22) Filed: **Feb. 27, 2017**

(51) **LOC (11) Cl.** **08-05**

(52) **U.S. Cl.**
USPC **D8/367**

(58) **Field of Classification Search**
USPC D8/367, 354, 349, 394, 372; D6/323,
D6/320, 324
CPC F16L 3/13; F16L 3/26; A47G 23/0225;
A47G 25/06; A47G 1/16; A47G 25/0607;
A47F 5/0846; A47F 5/02; H02G 11/003;
D06F 55/00; E04H 17/10; A47K 10/04
See application file for complete search history.

(56) **References Cited**

U.S. PATENT DOCUMENTS

D38,025 S * 5/1906 Lattin D6/323
1,691,123 A * 11/1928 Pajeau A47G 25/743
211/113

D353,492 S * 12/1994 Goodman D6/323
6,364,267 B1 * 4/2002 Pearce F16B 45/00
16/239
D470,037 S * 2/2003 Knapp D8/372
D519,359 S * 4/2006 Hoernig D8/372
D663,274 S * 7/2012 Gretz D13/155
9,593,803 B1 * 3/2017 Roddenberry

* cited by examiner

Primary Examiner — Cynthia Underwood

(74) *Attorney, Agent, or Firm* — Edgar A. Zarins; Nirav
D. Parikh

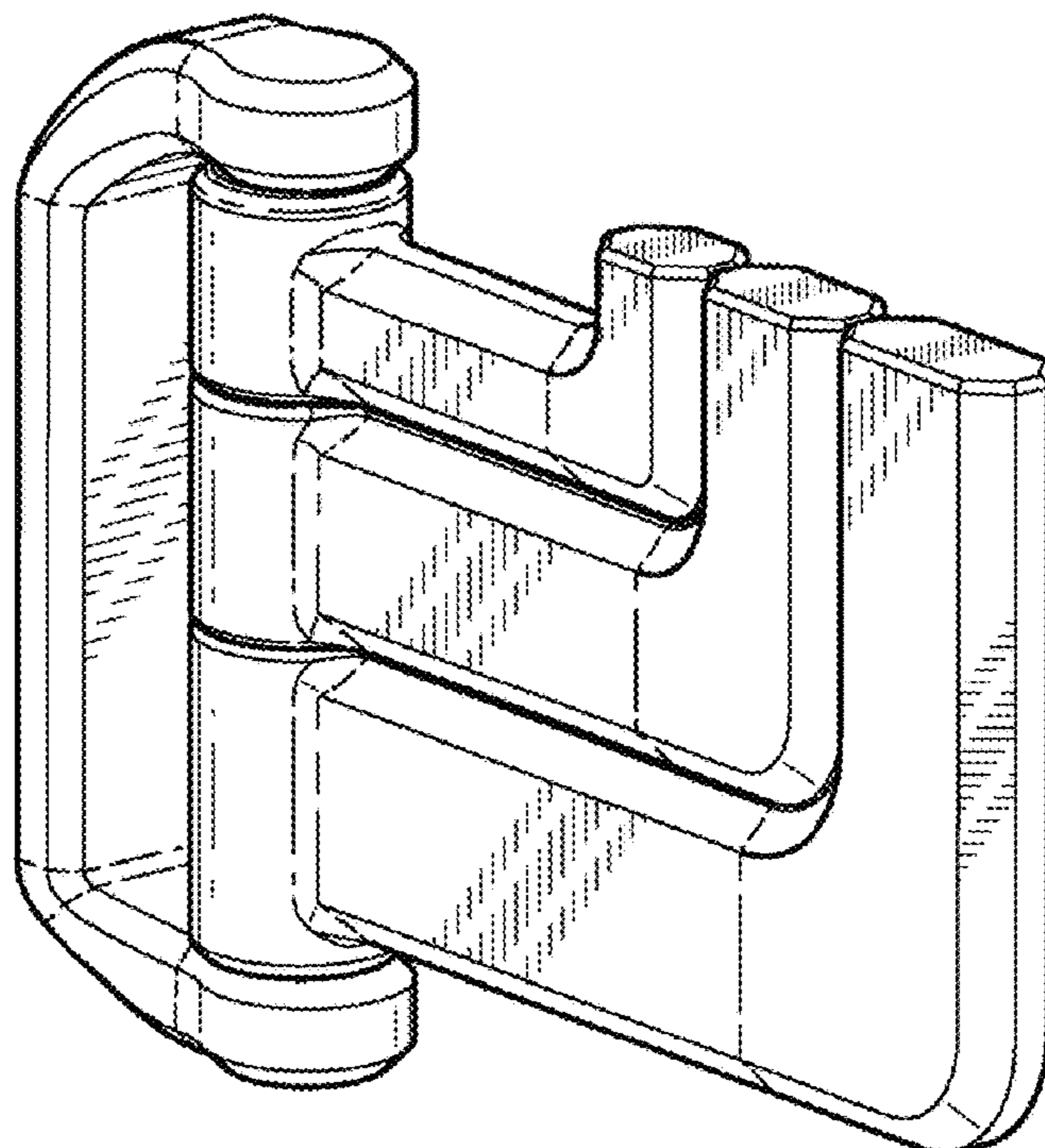
(57) **CLAIM**

The ornamental design for a robe hook, as shown and
described.

DESCRIPTION

FIG. 1 is a perspective view of a robe hook showing my new
design;
FIG. 2 is a right side view thereof, the opposite side being
a mirror image of the side shown;
FIG. 3 is a front elevational view thereof;
FIG. 4 is a top plan view thereof;
FIG. 5 is a bottom view thereof; and,
FIG. 6 is a rear view thereof.

1 Claim, 2 Drawing Sheets



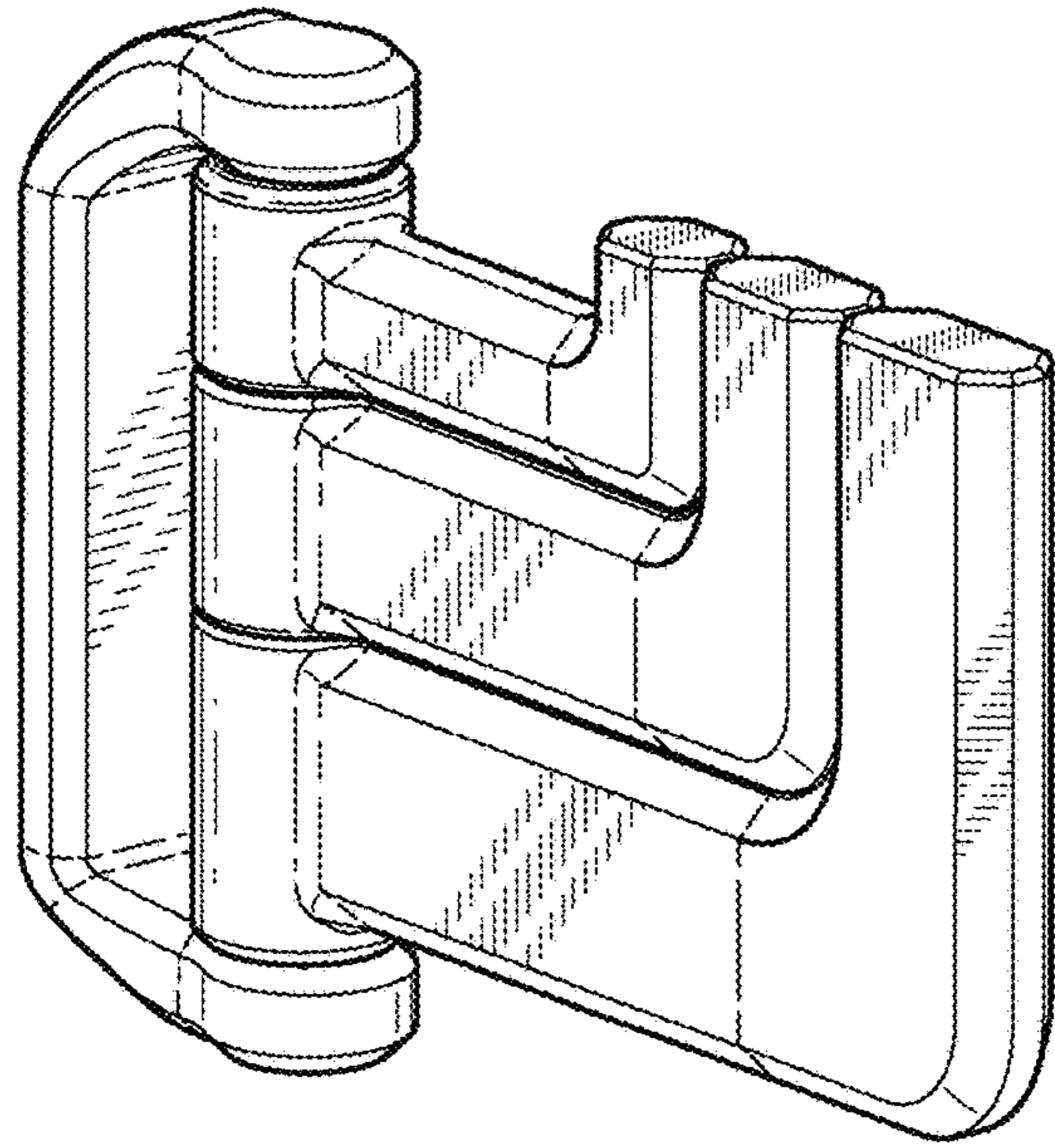


Fig-1

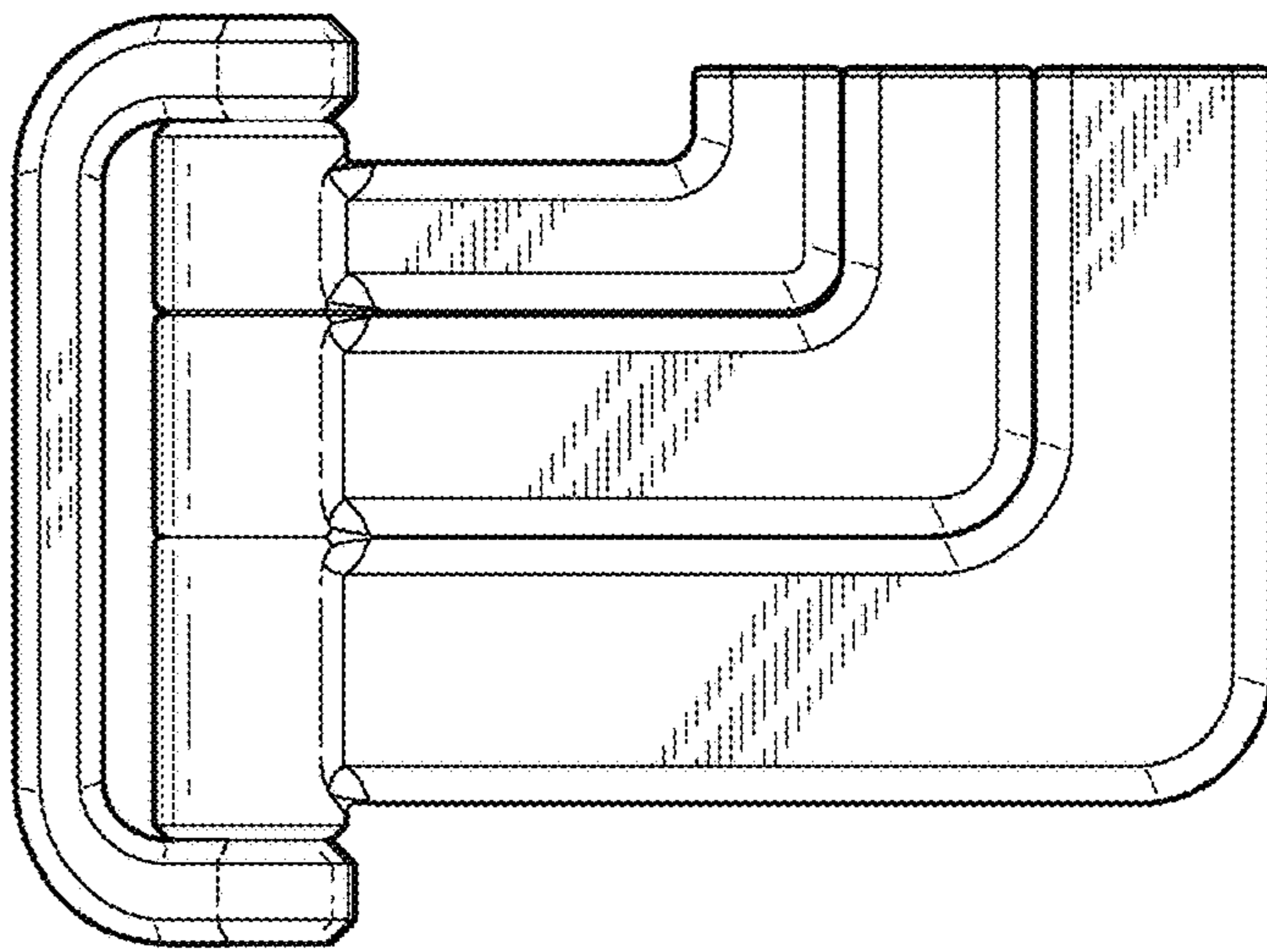


Fig-2

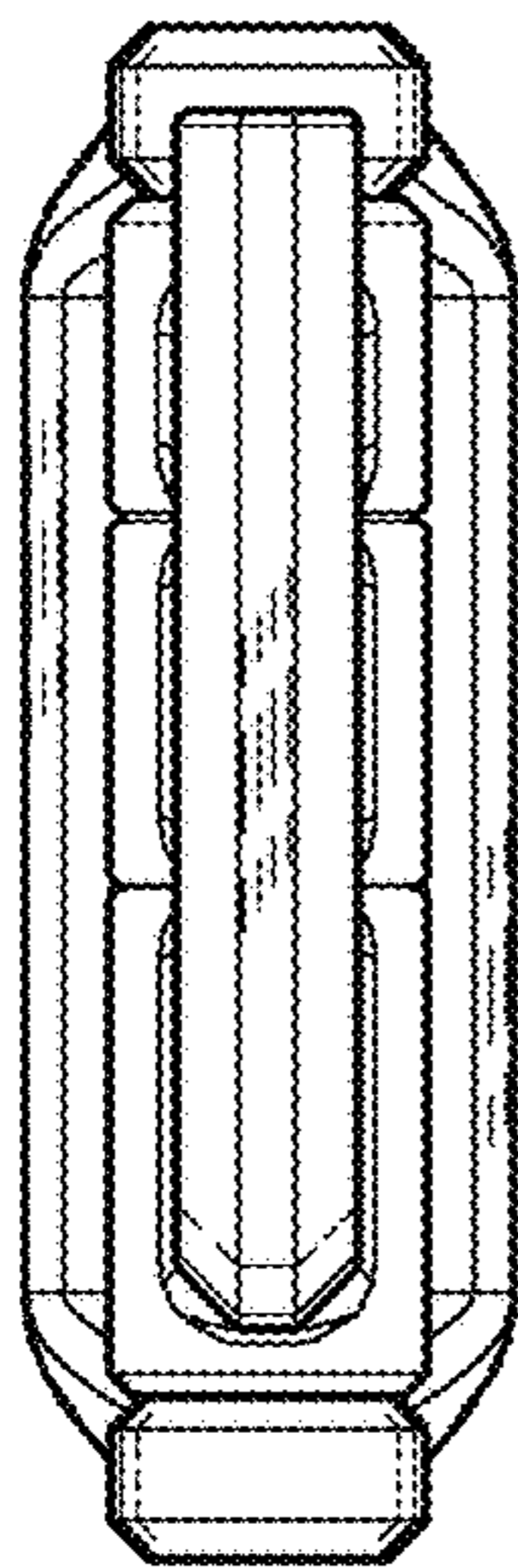


Fig-3

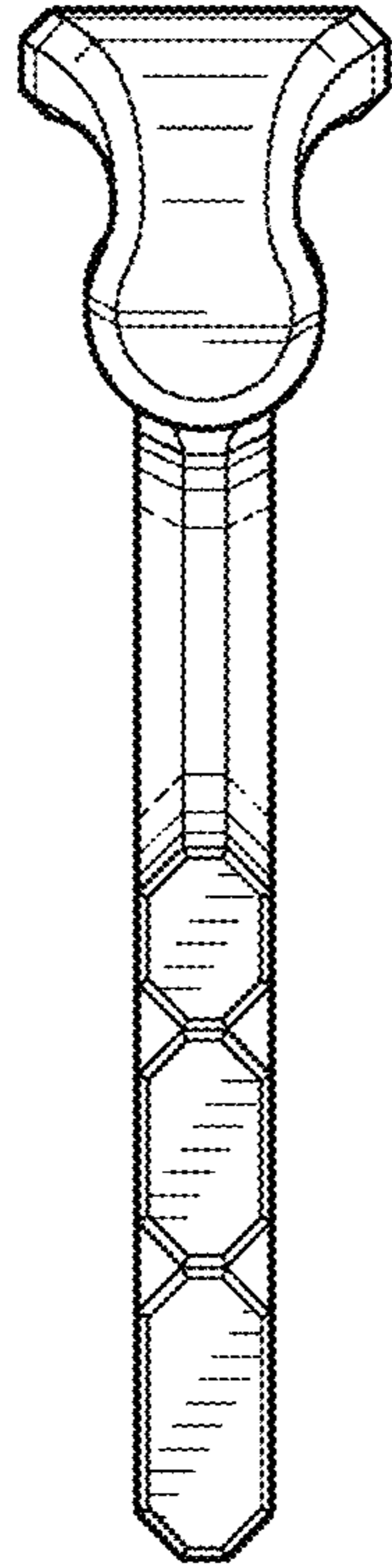


Fig-4

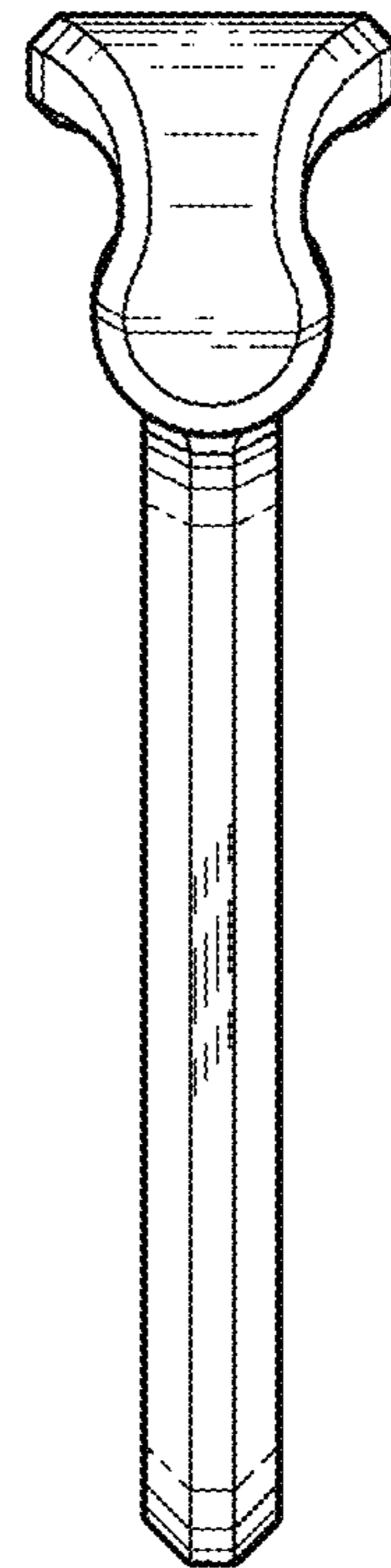


Fig-5

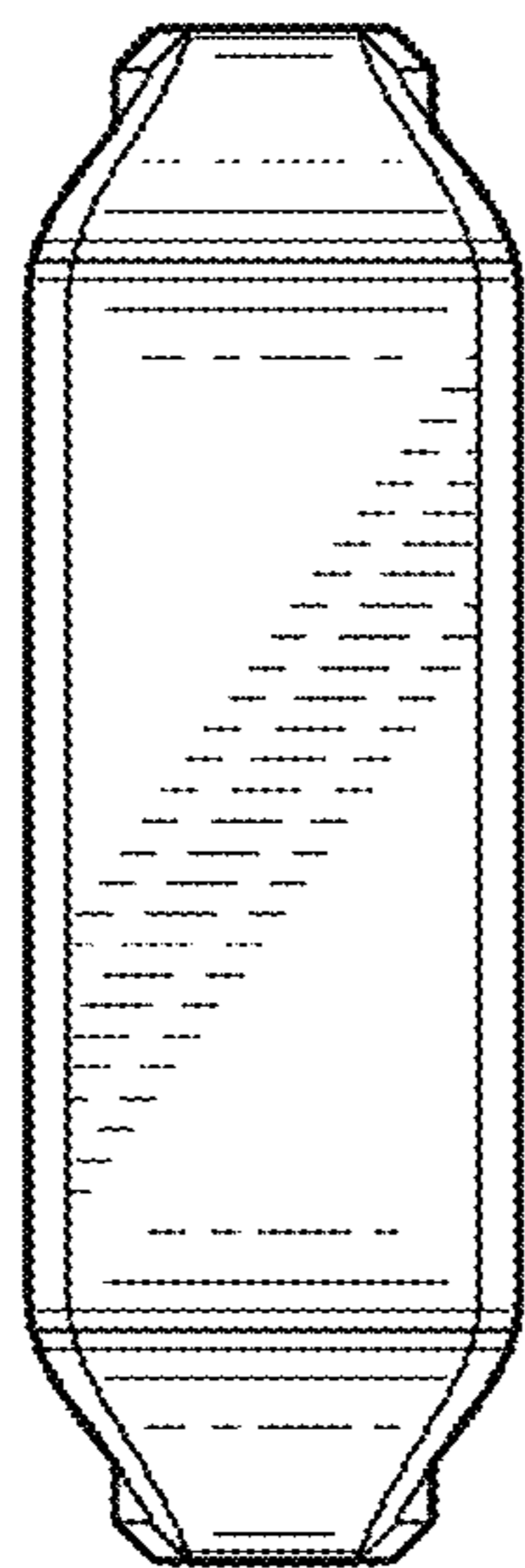


Fig-6