



US00D814907S

(12) **United States Design Patent**
Baiz et al.

(10) **Patent No.:** **US D814,907 S**

(45) **Date of Patent:** **** Apr. 10, 2018**

(54) **BULLET SHAPED WIRE SEPARATOR**

(71) Applicant: **ESR PERFORMANCE CORP,**
Miami, FL (US)

(72) Inventors: **Enrique J Baiz,** Miramar, FL (US);
Oswaldo Izquierdo, Homestead, FL
(US)

(**) Term: **15 Years**

(21) Appl. No.: **29/559,662**

(22) Filed: **Mar. 30, 2016**

(51) **LOC (11) Cl.** **09-06**

(52) **U.S. Cl.**
USPC **D8/356**

(58) **Field of Classification Search**
USPC D8/356, 354, 349
CPC B65H 57/16; E02D 5/803; B63B 21/045;
B63B 59/02; B60D 1/18; B60P 1/103;
Y10T 24/3918

See application file for complete search history.

(56) **References Cited**

U.S. PATENT DOCUMENTS

5,728,136	A *	3/1998	Thal	A61B 17/0401 606/232
D407,362	S *	3/1999	Schardt	D12/204
D416,189	S *	11/1999	Bollman	D8/382
D460,398	S *	7/2002	Berry	D12/213
D469,345	S *	1/2003	Berry	D8/382
6,540,750	B2 *	4/2003	Burkhart	A61B 17/0401 606/232
D476,286	S *	6/2003	Chung	D12/213
6,692,083	B2 *	2/2004	Latham	E21C 35/18 299/104
D581,777	S *	12/2008	Huang	D8/397

D613,594	S *	4/2010	Huang	D12/213
D613,595	S *	4/2010	Huang	D12/213
D625,990	S *	10/2010	Lin	D12/213
D637,907	S *	5/2011	Maxa	D9/452
D720,208	S *	12/2014	Jordan	D8/397
D731,300	S *	6/2015	Vargas	D8/397
D748,972	S *	2/2016	Primeau	D8/397
D762,459	S *	8/2016	Frydlewski	D8/356
D775,937	S *	1/2017	Davis	D8/356
D792,196	S *	7/2017	Nitta	D8/356
2009/0315390	A1 *	12/2009	Weld	B60B 3/008 301/37.376
2015/0251488	A1 *	9/2015	Hoff	B60B 7/16 301/37.21

* cited by examiner

Primary Examiner — Cynthia R Underwood

(74) *Attorney, Agent, or Firm* — QuickPatents, LLC;
Kevin Prince

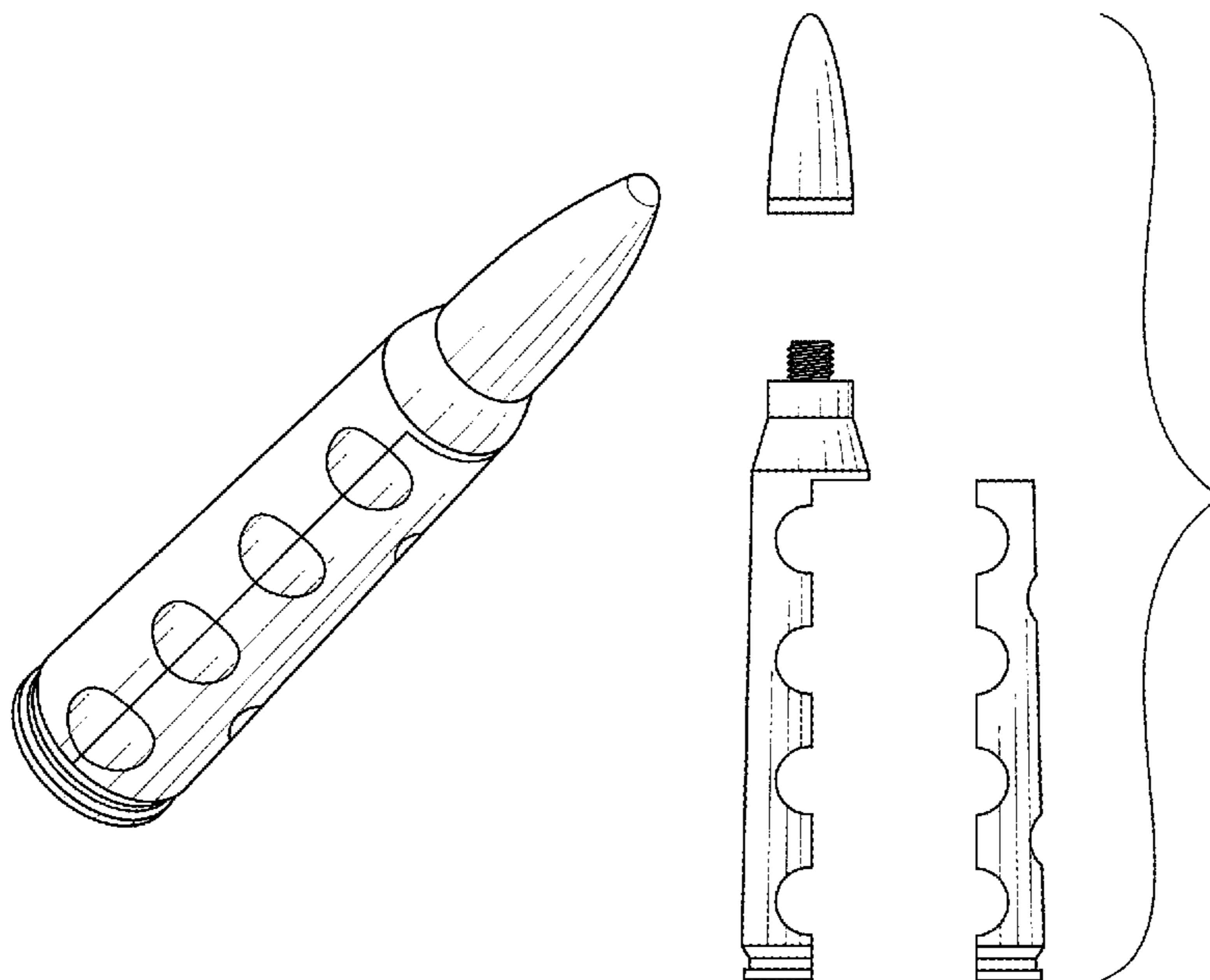
(57) **CLAIM**

The ornamental design for a bullet shaped wire separator, as shown and described.

DESCRIPTION

FIG. 1 is a front perspective view of a bullet shaped wire separator, showing our new design;
FIG. 2 is an exploded front perspective view of FIG. 1;
FIG. 3 is an alternate front perspective view thereof;
FIG. 4 is an exploded view of FIG. 3;
FIG. 5 is a rear perspective view thereof;
FIG. 6 is an exploded rear perspective view of FIG. 5;
FIG. 7 is an alternate rear perspective view thereof;
FIG. 8 is an exploded view of FIG. 7;
FIG. 9 is a front elevational view thereof, the rear elevational view being a mirror image thereof; and,
FIG. 10 is an exploded front elevational view of FIG. 9.

1 Claim, 5 Drawing Sheets



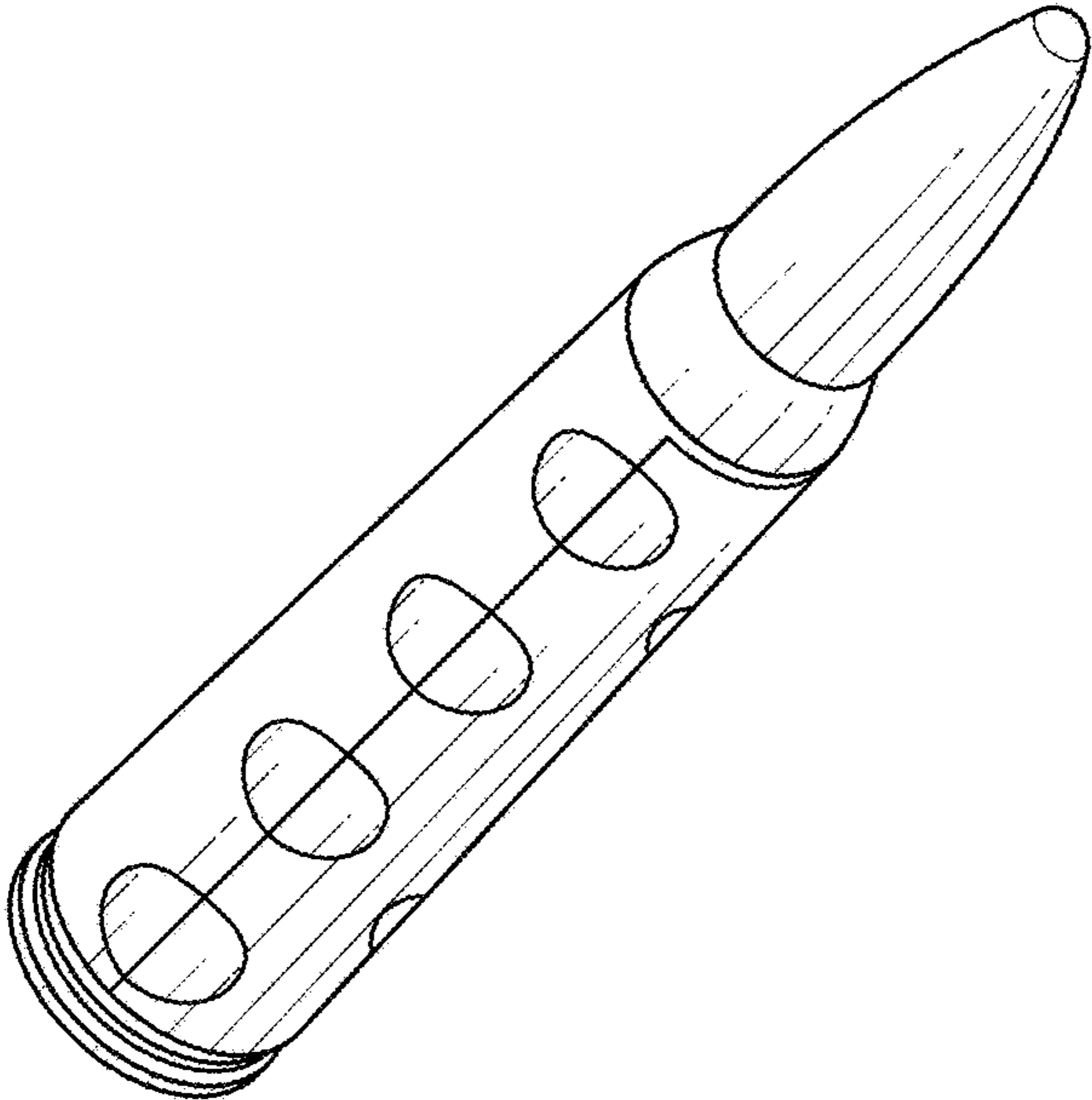


FIG. 1

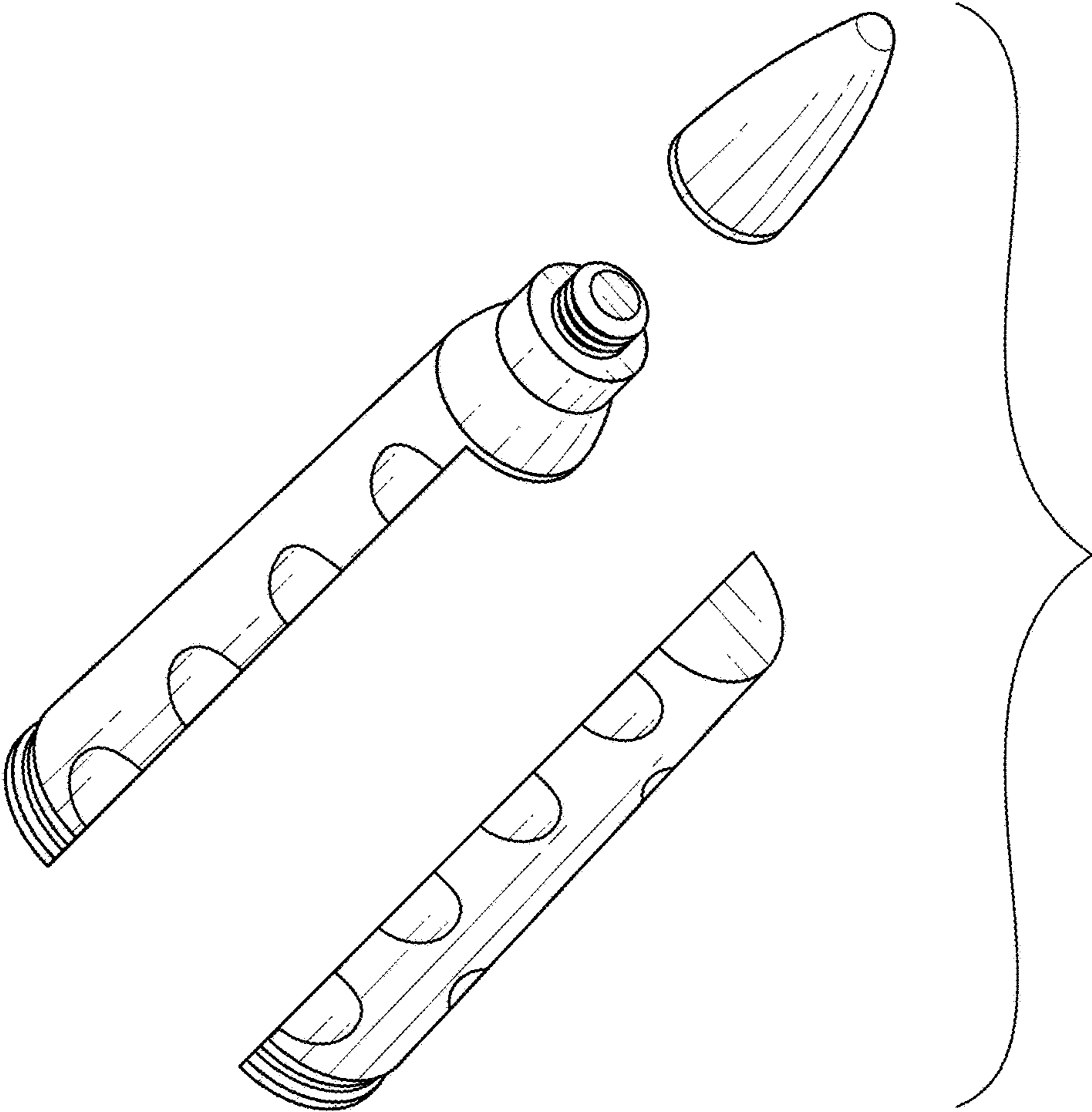


FIG. 2

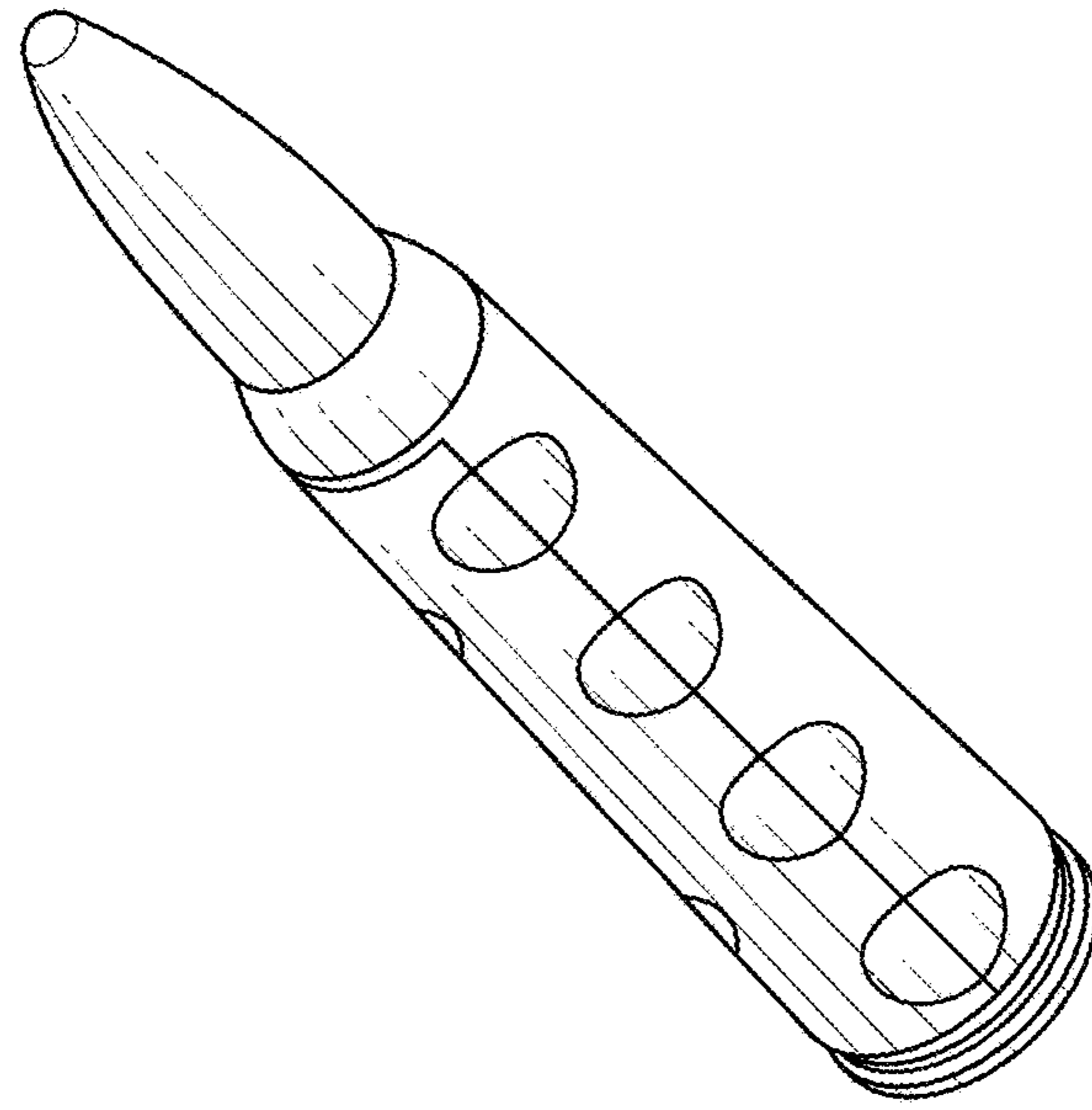


FIG. 3

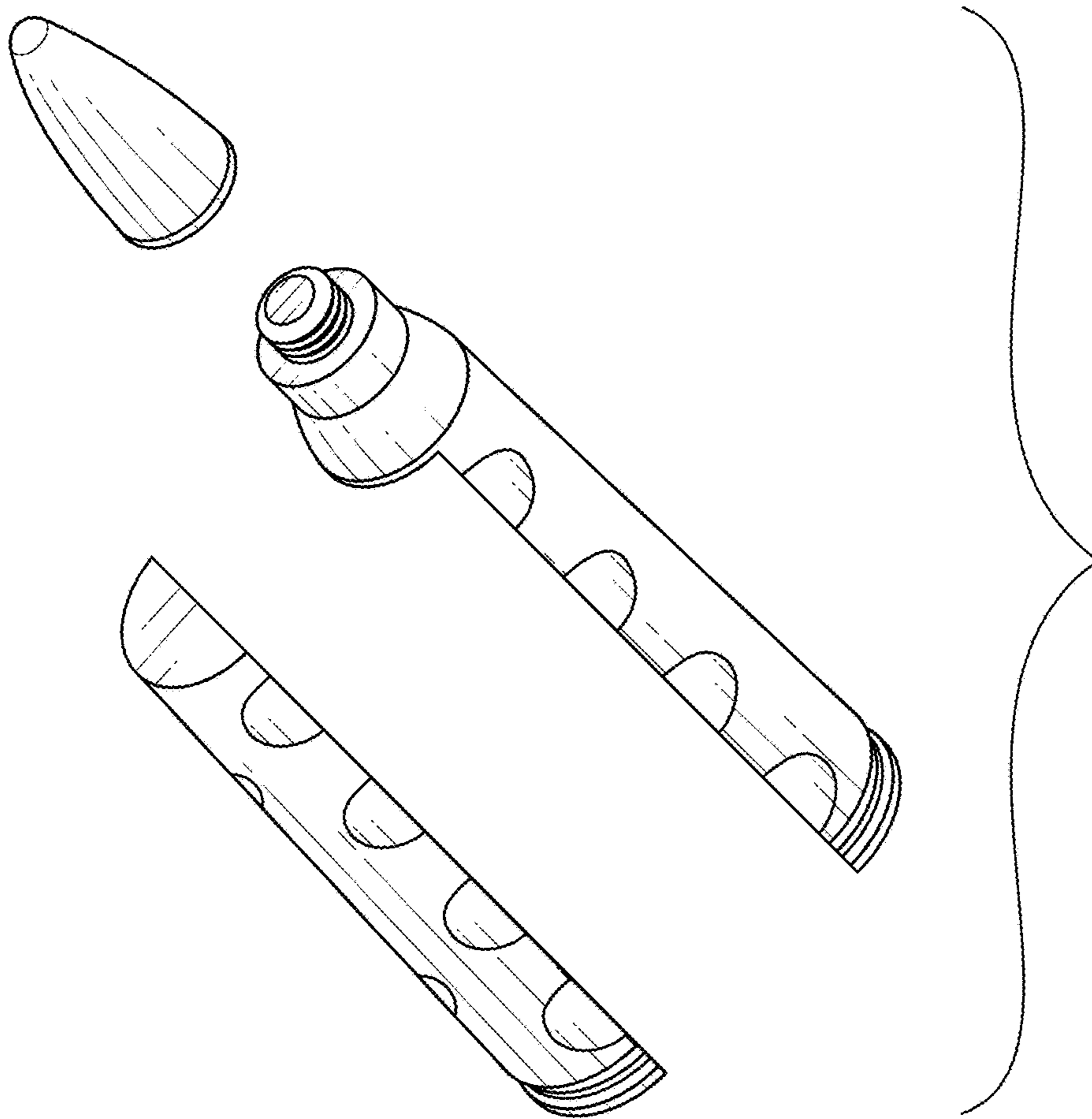


FIG. 4

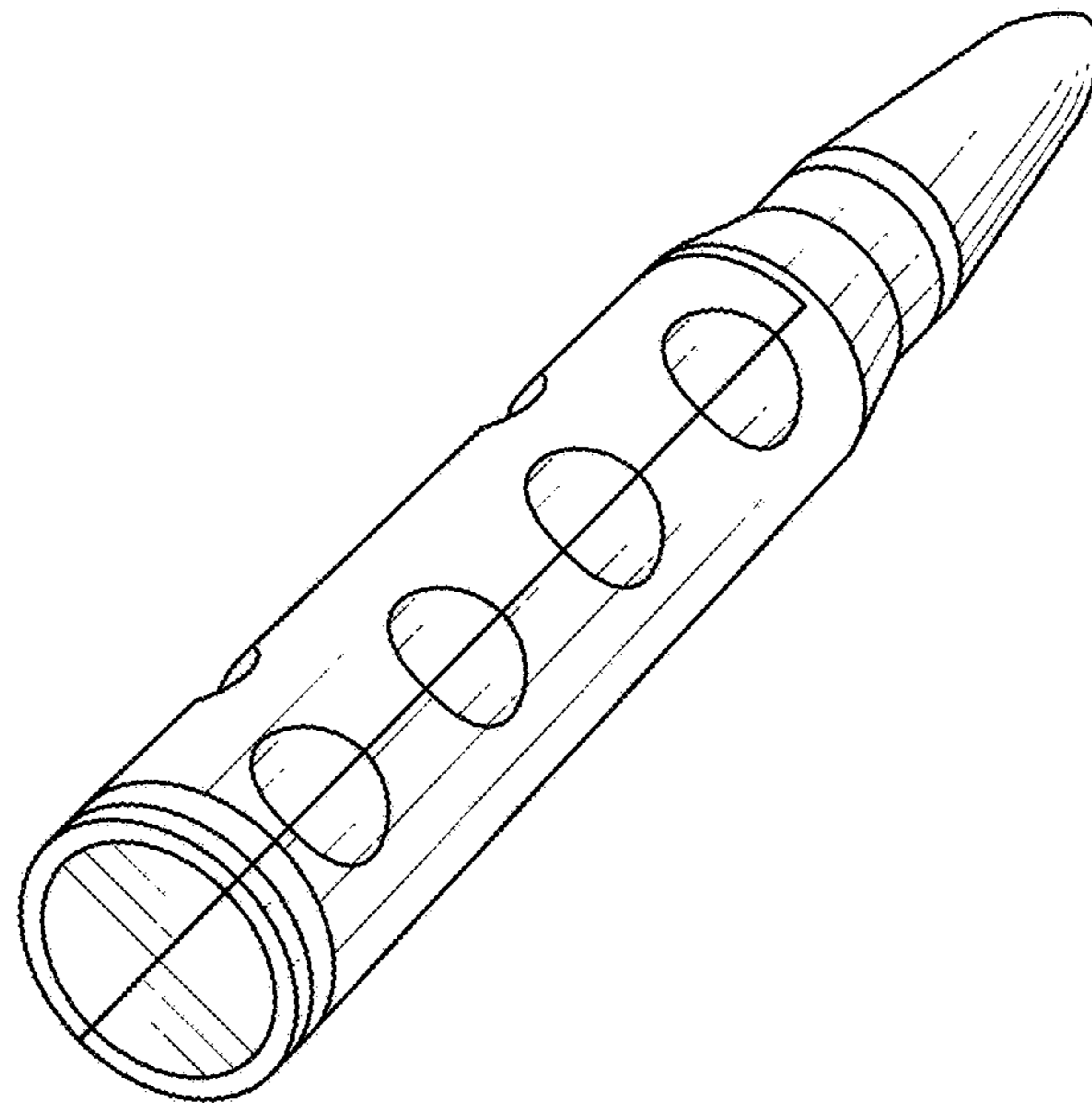


FIG. 5

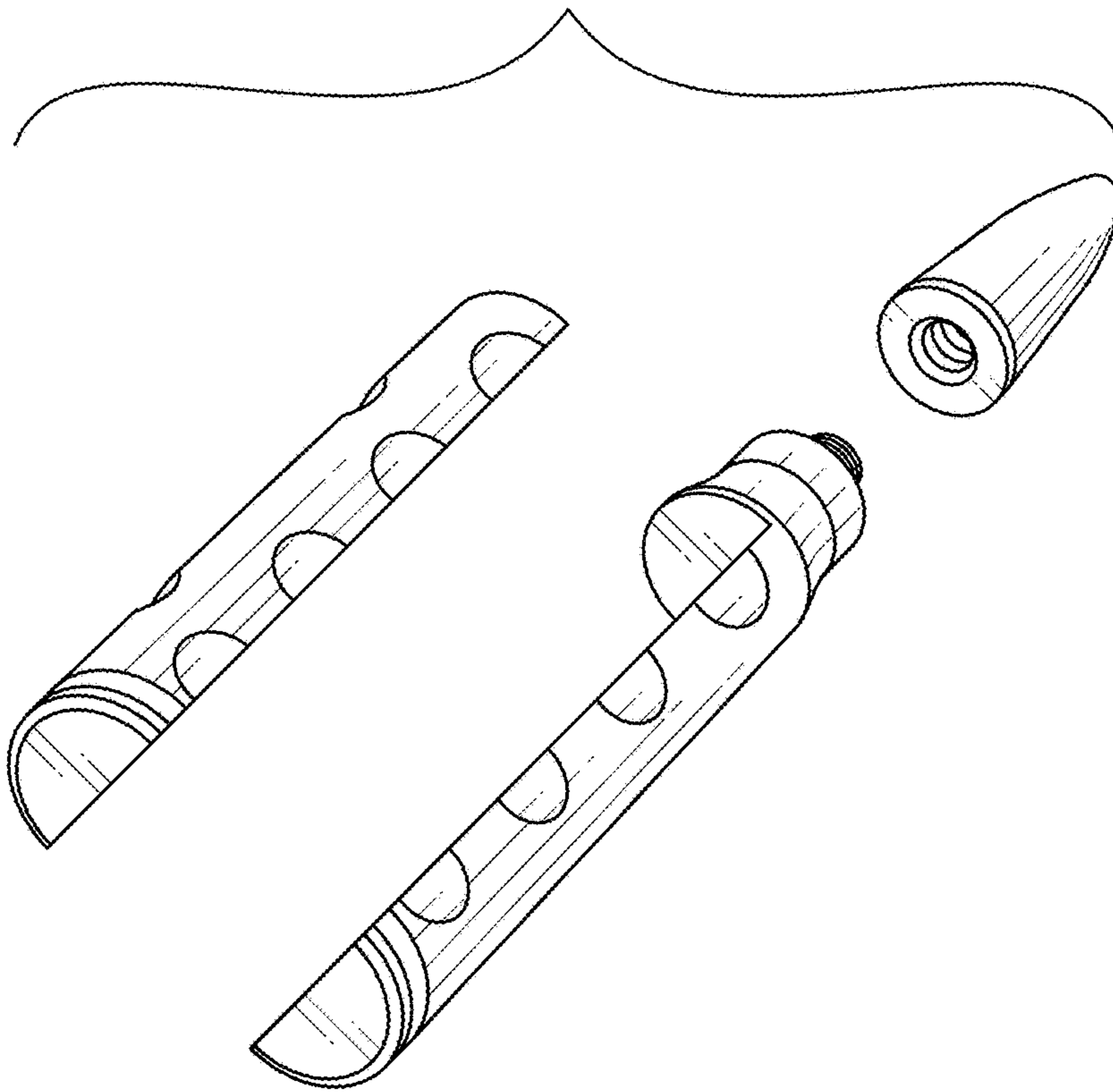


FIG. 6

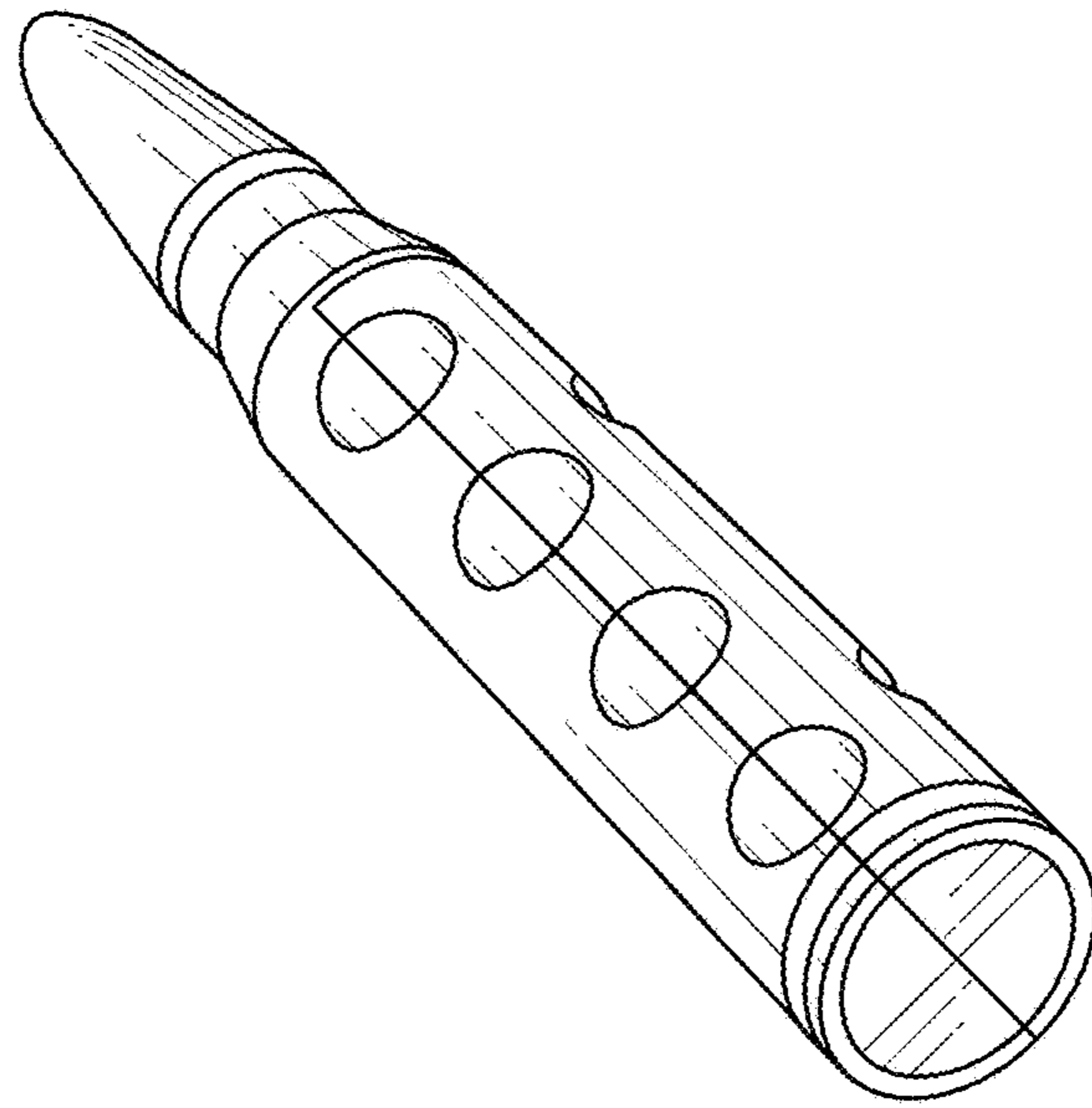


FIG. 7

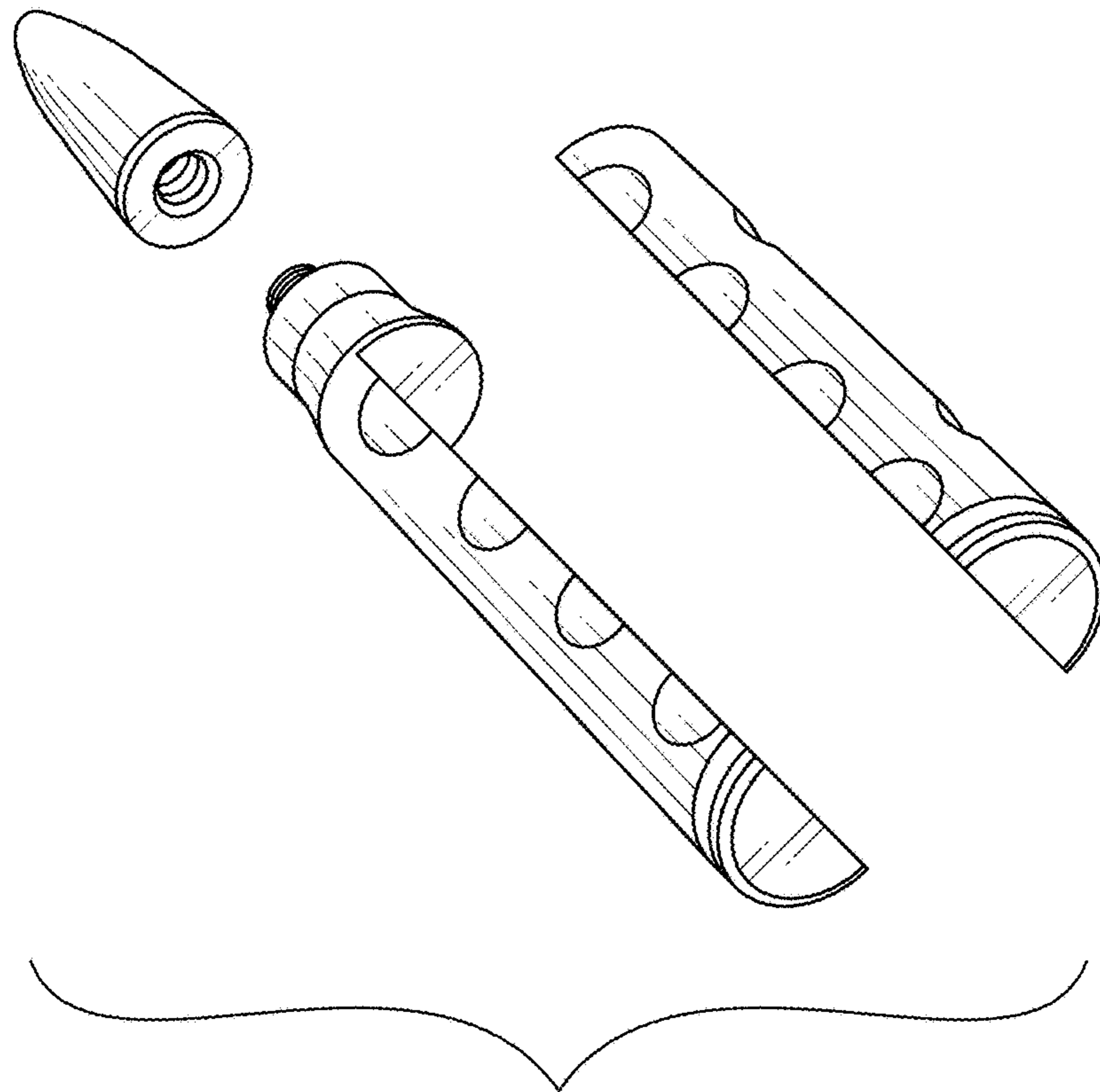


FIG. 8

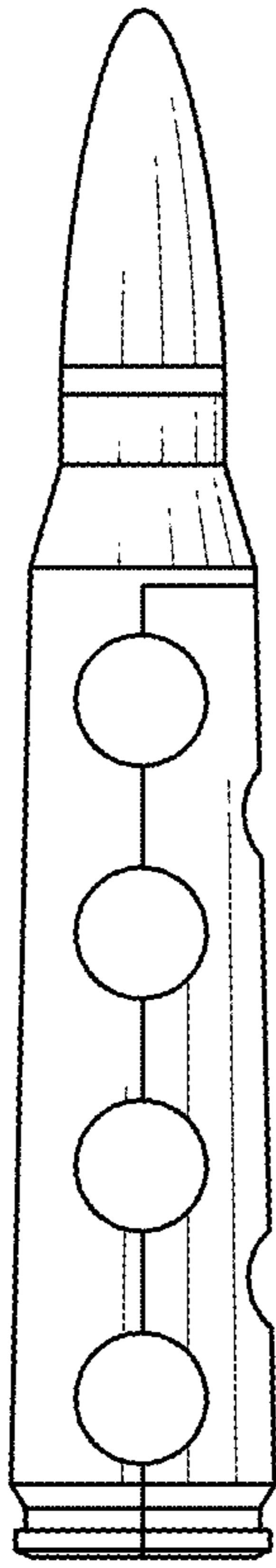


FIG. 9

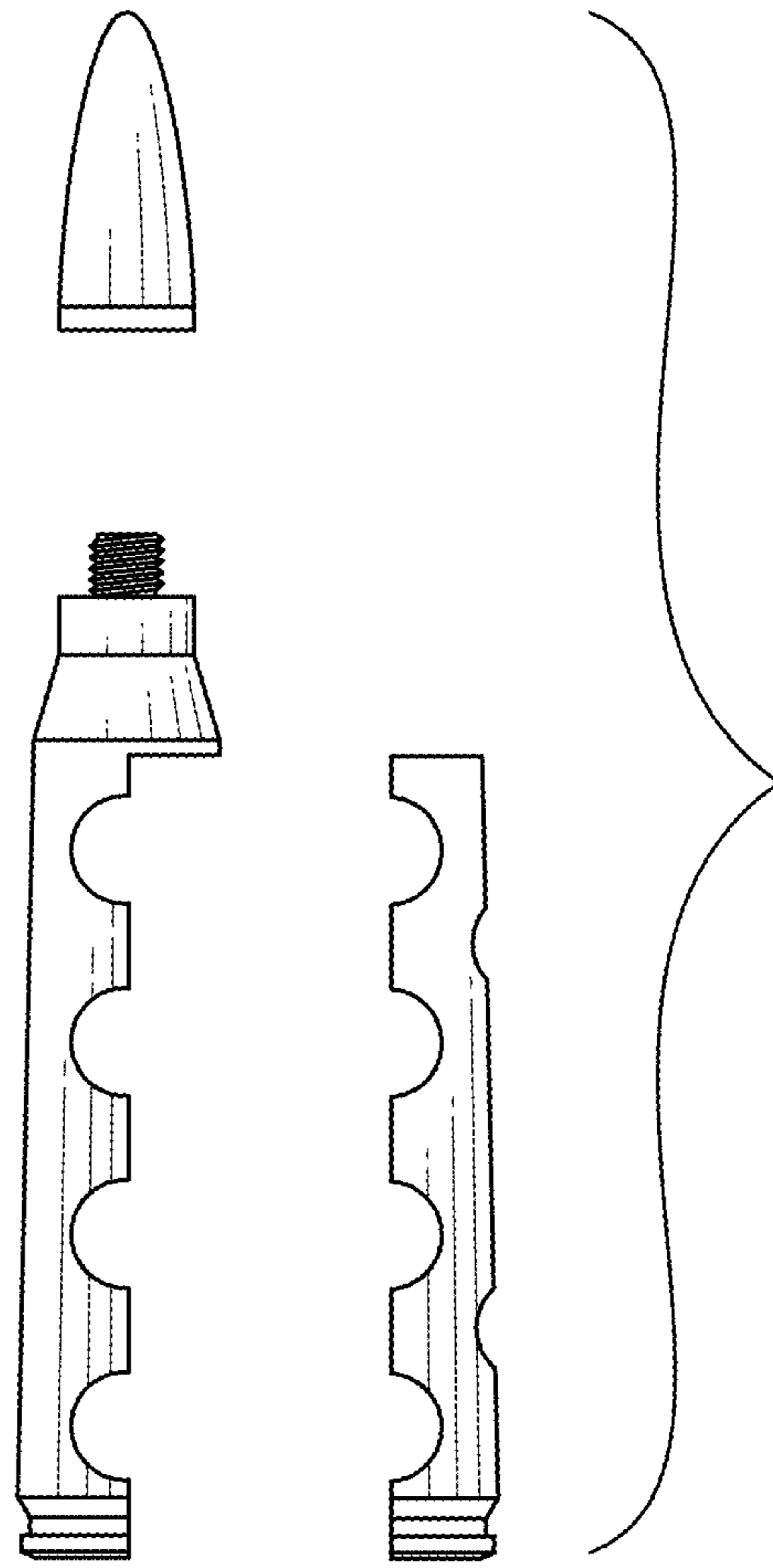


FIG. 10