



US00D814906S

(12) **United States Design Patent**
Pine

(10) **Patent No.:** **US D814,906 S**

(45) **Date of Patent:** **** Apr. 10, 2018**

- (54) **STRAP**
- (71) Applicant: **Synapco Industries Limited,**
Gracefield (NZ)
- (72) Inventor: **David Garth Pine,** Gracefield (NZ)
- (**) Term: **15 Years**
- (21) Appl. No.: **29/584,325**
- (22) Filed: **Nov. 14, 2016**
- (51) **LOC (11) Cl.** **08-05**
- (52) **U.S. Cl.**
USPC **D8/349**
- (58) **Field of Classification Search**
USPC D8/396, 342, 349, 355, 380, 395, 499;
220/908, 318, 375, 288; 292/288
CPC B65D 43/22; B65D 45/02; B65F 1/1615;
B65F 1/16; B65F 1/1646; B65F
2001/1653; B65F 2001/1669; B65F
2001/1676; Y10S 220/908; Y10T 292/23;
Y10T 292/34

See application file for complete search history.

(56) **References Cited**

U.S. PATENT DOCUMENTS

- 2,936,980 A * 5/1960 Rapata F16L 3/12
24/16 PB
- 2,998,276 A * 8/1961 Shettler B65D 45/28
220/315
- 3,124,381 A * 3/1964 Geldart B62J 7/08
292/258
- 3,291,515 A * 12/1966 Lierman B65D 45/02
220/318
- 3,363,924 A * 1/1968 Remig B65F 1/1615
220/318
- 3,980,202 A * 9/1976 Monyak B65D 45/00
220/318
- 4,009,897 A * 3/1977 Spellman B65F 1/141
220/218
- D256,438 S * 8/1980 Woods D8/394

- D257,426 S * 10/1980 D'Alo D3/327
- 4,413,851 A * 11/1983 Ritter B65F 1/1615
292/259 R
- 4,520,945 A * 6/1985 Hodge B65D 55/14
220/315
- 4,545,501 A * 10/1985 DeFord B65F 1/1615
220/318
- 4,976,371 A * 12/1990 Wise B65D 45/02
220/315
- D335,447 S * 5/1993 Boivin D10/32
- D342,668 S * 12/1993 Rose D8/382
- 5,395,343 A * 3/1995 Iscovich A61M 25/02
128/DIG. 26
- D369,076 S * 4/1996 Alexander D8/22
- D371,292 S * 7/1996 Baker D8/333
- 5,613,657 A * 3/1997 Olaiz A61J 9/06
248/102
- D424,417 S * 5/2000 Axelsson D8/394
- D424,921 S * 5/2000 Axelsson D8/394
- D426,458 S * 6/2000 Axelsson D8/394
- D440,144 S * 4/2001 Todd D8/354

(Continued)

Primary Examiner — Mark Goodwin
(74) *Attorney, Agent, or Firm* — Todd J. Langford;
Greenspoon Marder LLP

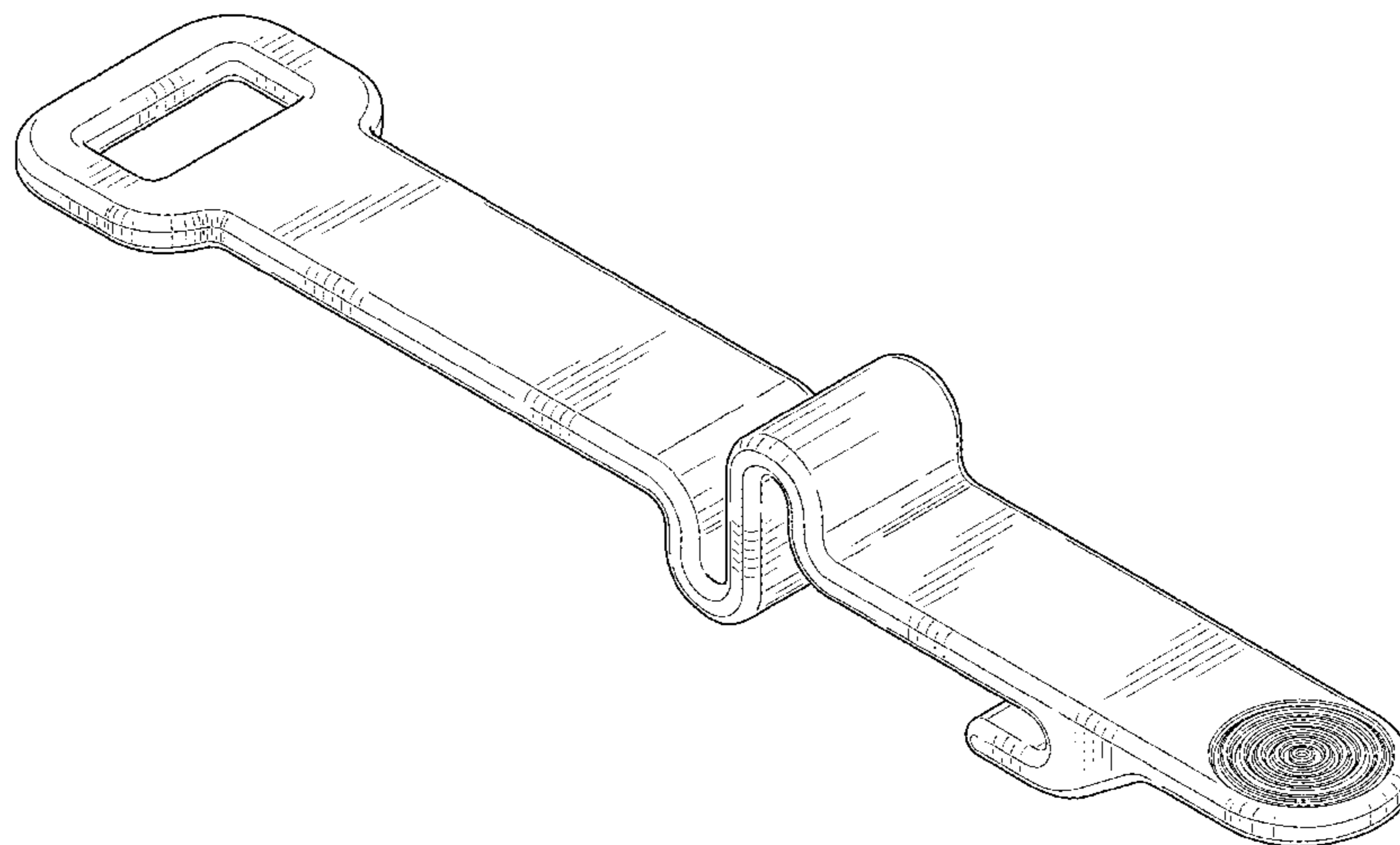
(57) **CLAIM**

The ornamental design for a strap, as shown and described.

DESCRIPTION

FIG. 1 is a perspective view of a strap showing my new design;
FIG. 2 is a right side view thereof;
FIG. 3 is a left side view thereof;
FIG. 4 is a front view thereof;
FIG. 5 is a back view thereof;
FIG. 6 is a top view thereof;
FIG. 7 is a bottom view thereof; and,
FIG. 8 is another perspective view thereof.

1 Claim, 5 Drawing Sheets



(56)

References Cited

U.S. PATENT DOCUMENTS

6,230,920 B1 * 5/2001 Porter B65F 1/1615
 220/225
 D449,136 S * 10/2001 Valiance D29/100
 6,390,522 B1 * 5/2002 Rucker B65F 1/1405
 220/315
 D489,263 S * 5/2004 Sinanian D9/455
 6,880,717 B1 * 4/2005 O'Connor B65F 1/1615
 220/315
 6,902,081 B2 * 6/2005 Walker B65F 1/1615
 220/315
 D512,910 S * 12/2005 Haslam D9/434
 D513,973 S * 1/2006 Cheung D8/394
 7,086,557 B2 * 8/2006 Miller B65F 1/16
 220/836
 7,182,215 B1 * 2/2007 Clardy B65F 1/16
 220/287
 D537,708 S * 3/2007 Leung D8/395
 D541,142 S * 4/2007 Geiger D8/383
 D549,073 S * 8/2007 Gilbert D8/330
 D565,401 S * 4/2008 Grady D8/394
 D580,257 S * 11/2008 Squyres D8/349
 D605,027 S * 12/2009 Leung D8/367
 D616,722 S * 6/2010 Shin D8/339
 D672,230 S * 12/2012 Laverack D8/396
 8,348,092 B1 * 1/2013 Lopez-Torres, Jr. .. B65F 1/1468
 220/287
 8,459,487 B2 * 6/2013 Sharma B65F 1/1615
 220/315
 D747,198 S * 1/2016 Biswas D9/434
 D798,698 S * 10/2017 Shih D8/383
 D800,539 S * 10/2017 Geiger D8/356
 2015/0175352 A1 * 6/2015 Jacobson B65F 1/16
 220/375

* cited by examiner

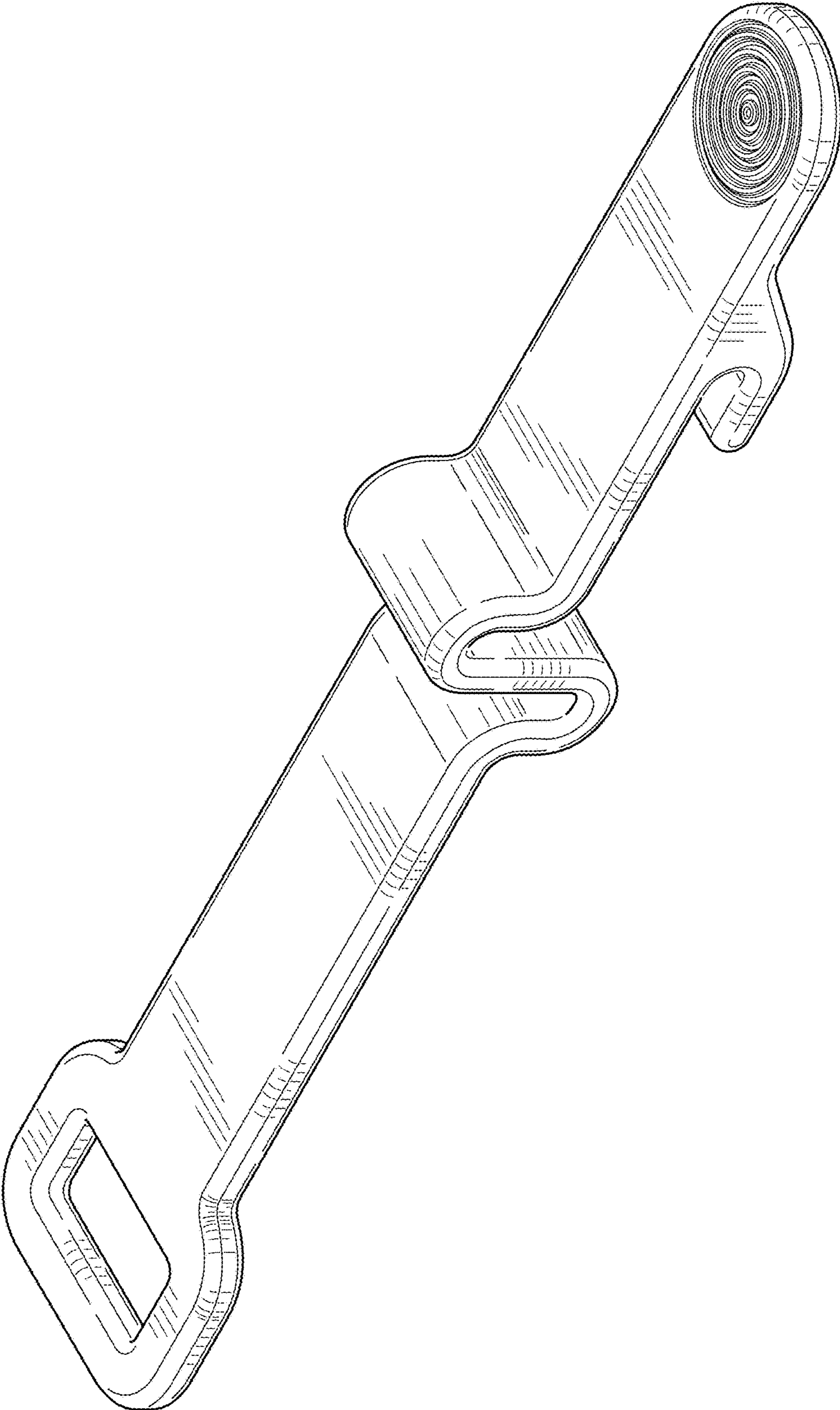


FIG. 1

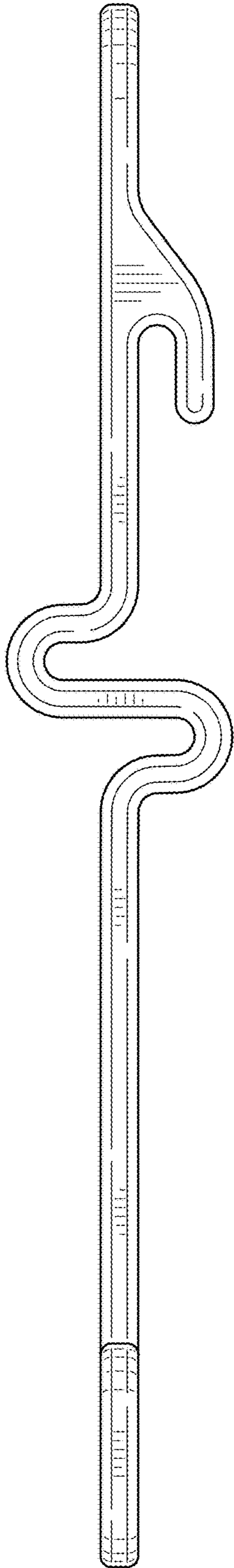


FIG. 2

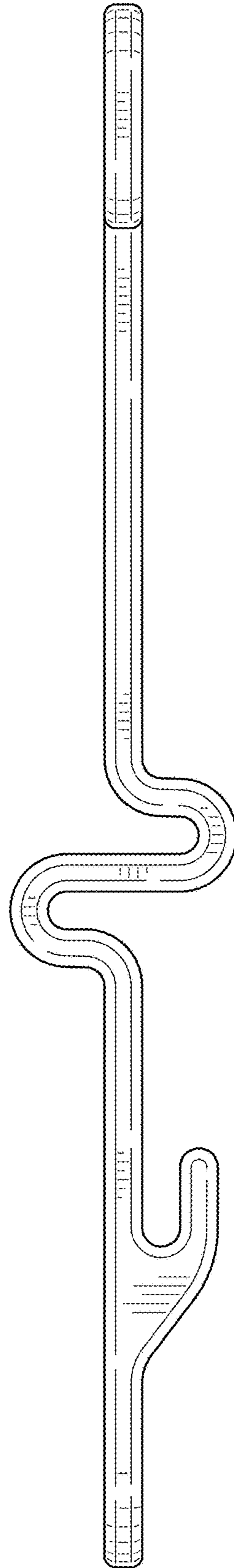


FIG. 3

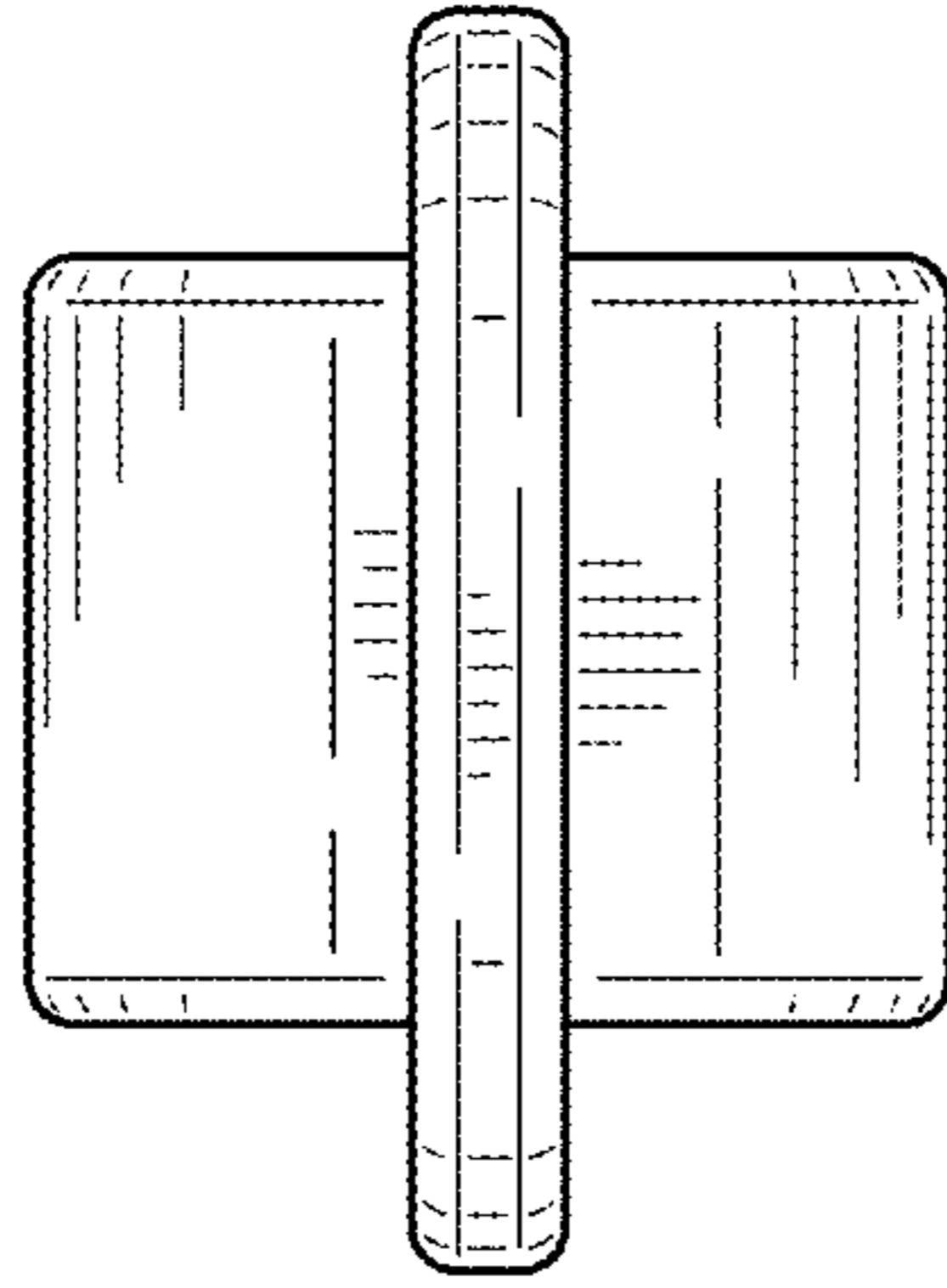


FIG. 5

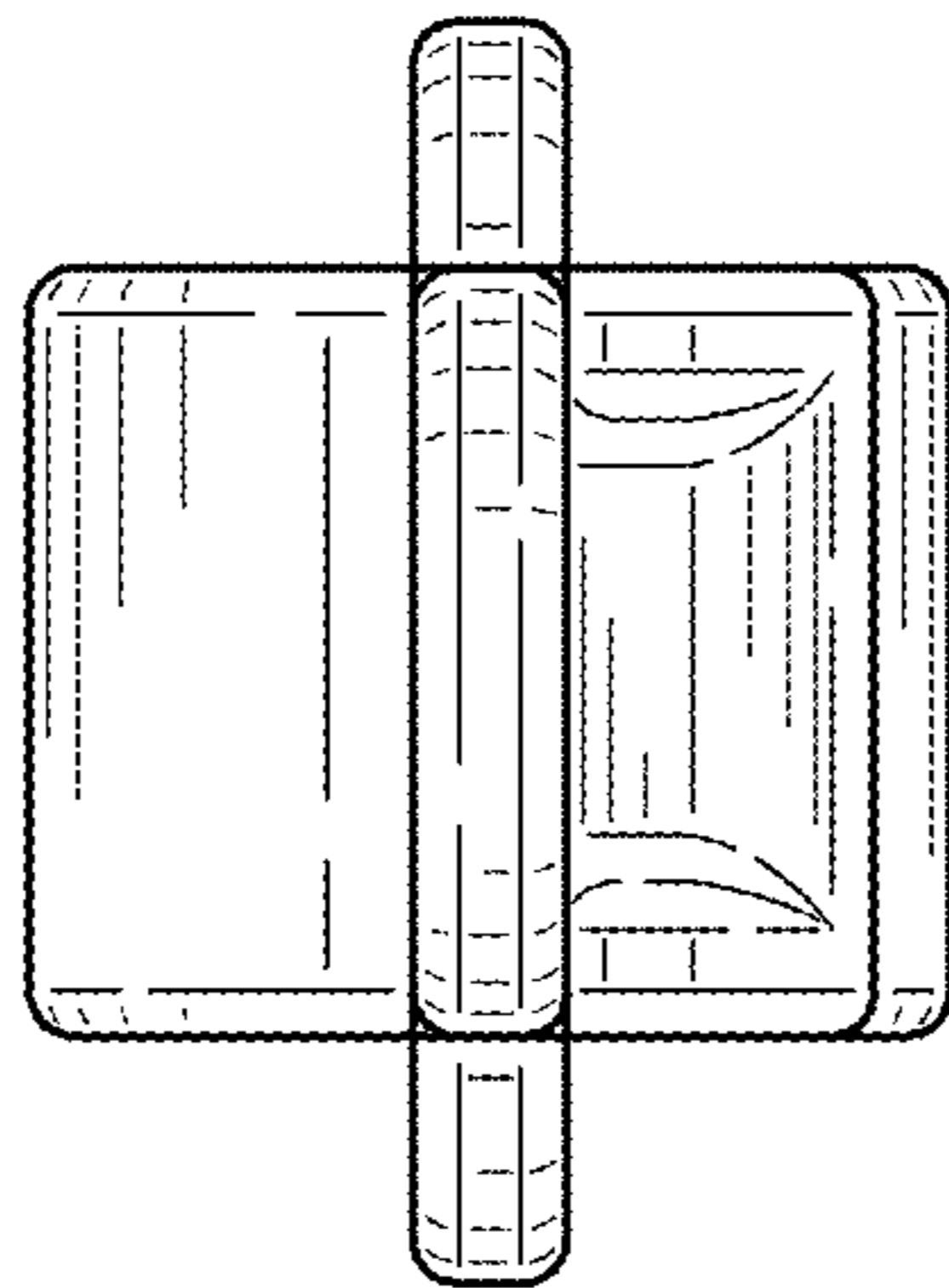


FIG. 4

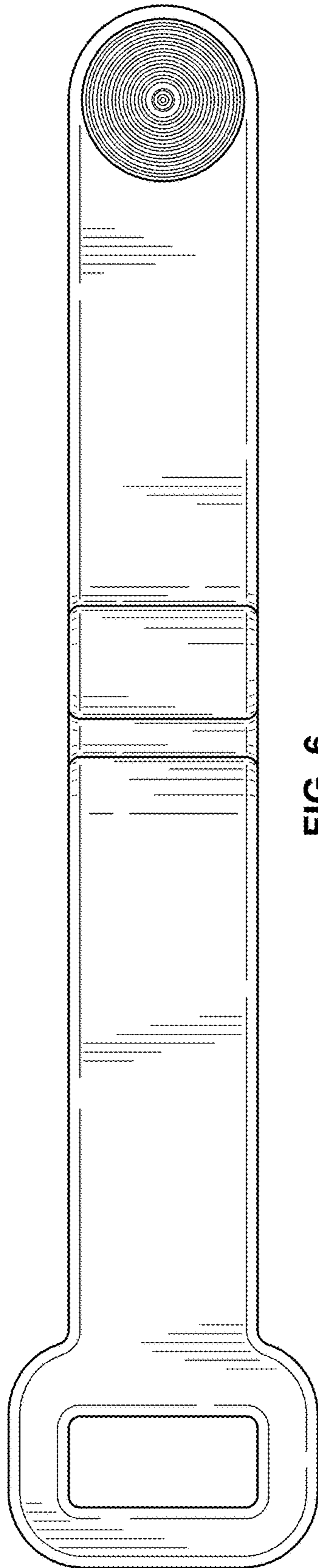


FIG. 6

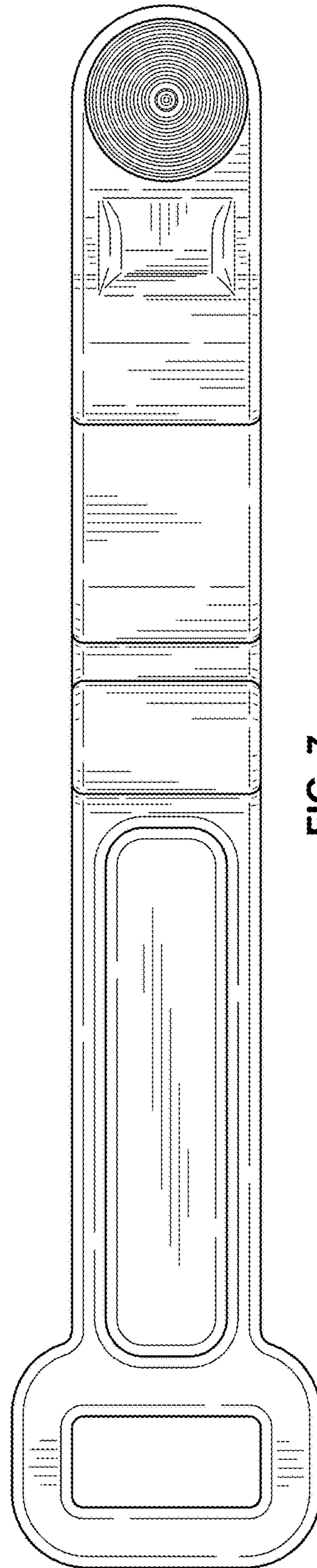


FIG. 7

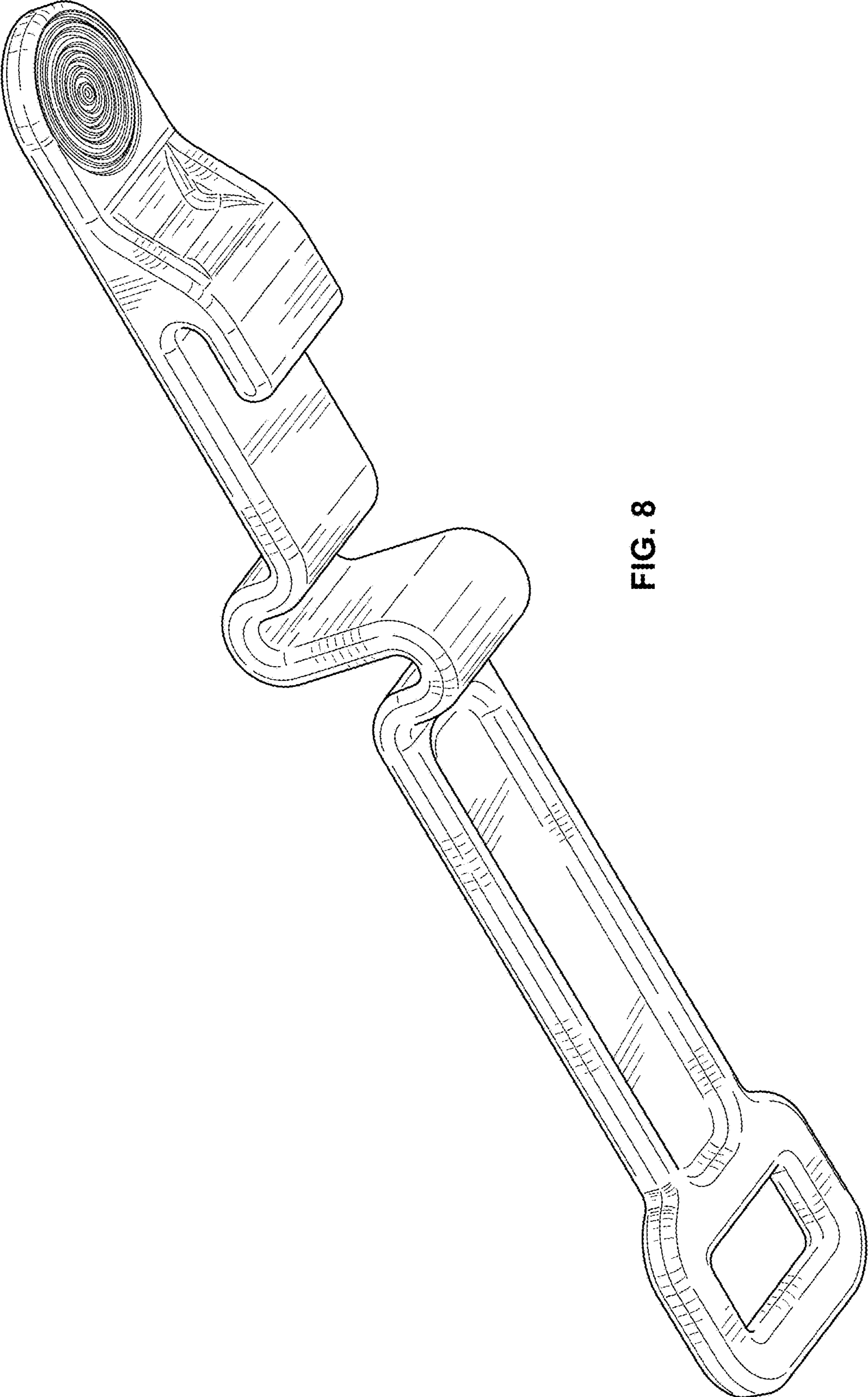


FIG. 8