



US00D814903S

(12) **United States Design Patent** (10) **Patent No.:** **US D814,903 S**
Schweiss (45) **Date of Patent:** **** Apr. 10, 2018**

(54) **HINGE**
(71) Applicant: **Michael L. Schweiss**, Fairfax, MN (US)
(72) Inventor: **Michael L. Schweiss**, Fairfax, MN (US)
(73) Assignee: **Sorrel Quarters, LLC**, Hector, MN (US)
(**) Term: **15 Years**
(21) Appl. No.: **29/620,104**
(22) Filed: **Jul. 5, 2016**
(51) **LOC (11) Cl.** **08-06**
(52) **U.S. Cl.**
USPC **D8/323**
(58) **Field of Classification Search**
USPC D8/323, 325, 336, 327; 248/301, 302; 24/132 R; D6/325; D12/223
CPC F16M 13/02; F16B 23/00; E05D 11/1014
See application file for complete search history.

7,219,711 B2 5/2007 Keller et al.
D548,051 S 8/2007 Ruppert D8/354
D568,728 S 5/2008 Zadak D8/380
D579,754 S * 11/2008 Gleason D8/323
D610,434 S 2/2010 Watts D8/349
D611,886 S 3/2010 Peschmann D12/223

(Continued)

Primary Examiner — Cynthia Underwood
(74) *Attorney, Agent, or Firm* — Richard John Bartz

(57) **CLAIM**

The ornamental design of a hinge, as shown and described.

DESCRIPTION

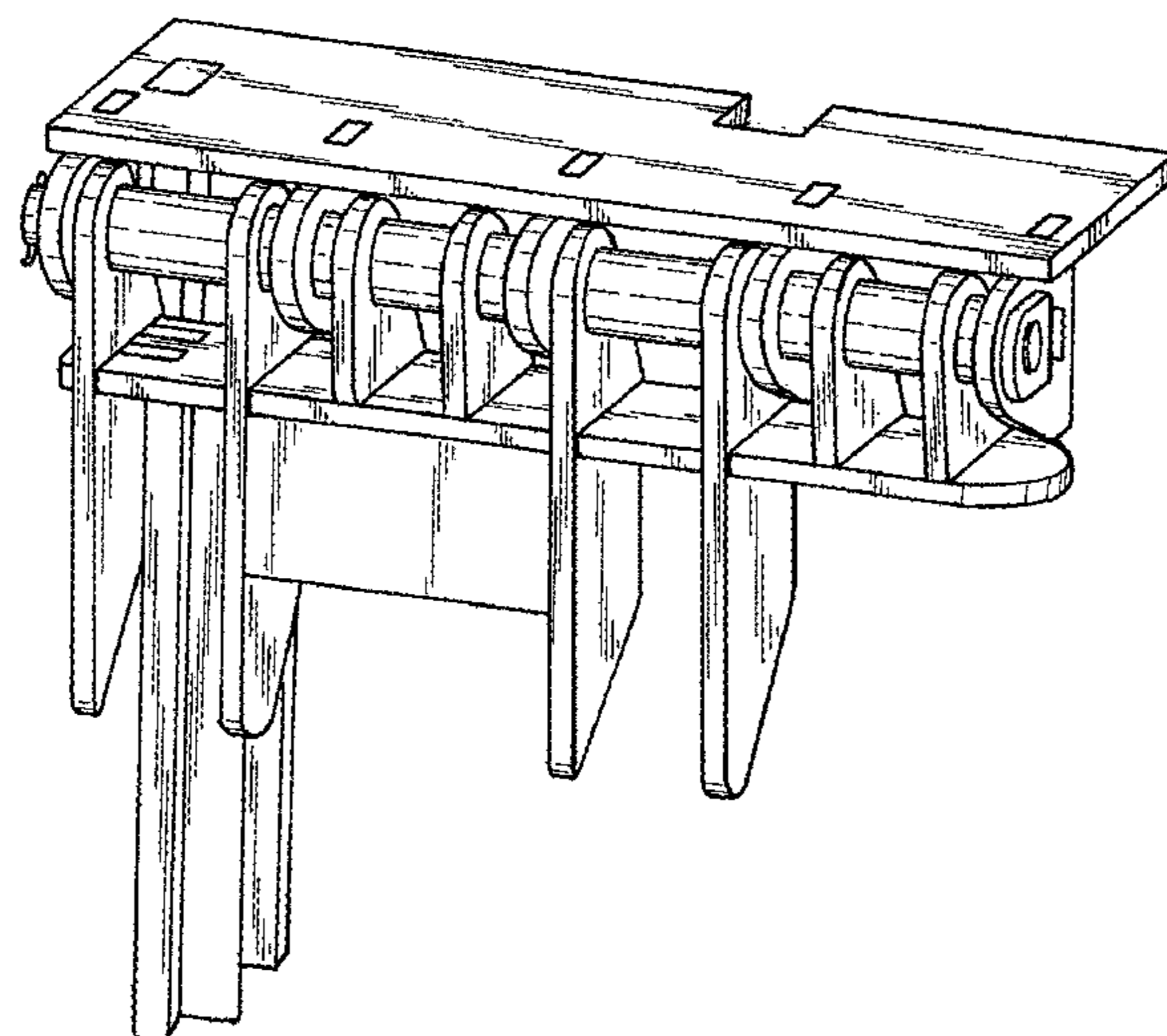
FIG. 1 is a perspective view of the hinge of my design;
FIG. 2 is a front elevational view thereof;
FIG. 3 is a rear elevational view thereof;
FIG. 4 is a top plan view thereof;
FIG. 5 is a bottom plan view thereof;
FIG. 6 is a left side elevational view thereof;
FIG. 7 is a right side elevational view thereof;
FIG. 8 is a perspective view of the upper part of the hinge of FIG. 1 shown separated from the lower part;
FIG. 9 is a front elevational view of FIG. 8;
FIG. 10 is a rear elevational view of FIG. 8;
FIG. 11 is a top plan view of FIG. 8;
FIG. 12 is a bottom plan view of FIG. 8;
FIG. 13 is a right side elevational view of FIG. 8;
FIG. 14 is a left side elevational view of FIG. 8;
FIG. 15 is a perspective view of the lower part of the hinge of FIG. 1 shown separated from the upper part;
FIG. 16 is a left side elevational view of FIG. 15;
FIG. 17 is a right side elevational view of FIG. 15;
FIG. 18 is a front elevational view of FIG. 15;
FIG. 19 is a rear elevational view of FIG. 15;
FIG. 20 is a top plan view of FIG. 15;
FIG. 21 is a bottom plan view of FIG. 15; and,
FIG. 22 is a sectional taken along line 22-22 of FIG. 20.

(56) **References Cited**

U.S. PATENT DOCUMENTS

4,295,514 A 10/1981 Johnson
4,637,446 A 1/1987 McQueen et al.
D289,605 S 5/1987 Lytle D8/381
5,343,923 A 9/1994 Keller
D383,430 S 9/1997 Jeffries D12/223
D437,282 S 2/2001 Joll D12/223
6,199,617 B1 3/2001 Schweiss
D474,958 S 5/2003 Perdue D8/349
D478,801 S 8/2003 Spruill D8/354
D500,441 S 1/2005 Senn D8/323
6,866,080 B2 3/2005 Schweiss
6,883,273 B2 4/2005 Kerkvliet
7,007,905 B2 3/2006 Roberts A47B 96/061
108/108
D523,322 S * 6/2006 Thurston D8/323

1 Claim, 13 Drawing Sheets



(56)

References Cited

U.S. PATENT DOCUMENTS

D611,887 S	3/2010	Peschmann	D12/223
D619,879 S	7/2010	McCarthy	D8/354
D631,734 S	2/2011	Fernandez	D8/380
D637,060 S	5/2011	Mitchell	D8/380
8,020,253 B1	9/2011	Finkelstein	E05D 7/0423 16/250
D658,031 S	4/2012	Mitchell	D8/323
D695,593 S	12/2013	Nunez Farfan	D8/354
D698,628 S	2/2014	Stanley	D8/367
D719,011 S	12/2014	Russo	D8/323
D728,348 S	5/2015	Munson	D8/354
D748,966 S	2/2016	Morinaga	D8/323
D749,394 S	2/2016	Morinaga	D8/323
D761,077 S *	7/2016	Schweiss	D8/323
D761,078 S *	7/2016	Schweiss	D8/323
D761,634 S *	7/2016	Schweiss	D8/323
D768,461 S *	10/2016	Mirick	D8/323
D769,695 S *	10/2016	Gleason	D8/323
D780,553 S *	3/2017	Tung	D8/323
D803,758 S *	11/2017	Giordano	D12/223
2001/0034915 A1	11/2001	Preston	B65G 69/2894 14/71.1
2002/0092102 A1	7/2002	Lounsbury	B65G 69/2894 14/71.3
2005/0044645 A1	3/2005	Gleason	B65G 69/2817 14/71.3
2009/0241293 A1	10/2009	Swerdlick	A47L 9/32 16/430
2011/0225895 A1	9/2011	Peterson	

* cited by examiner

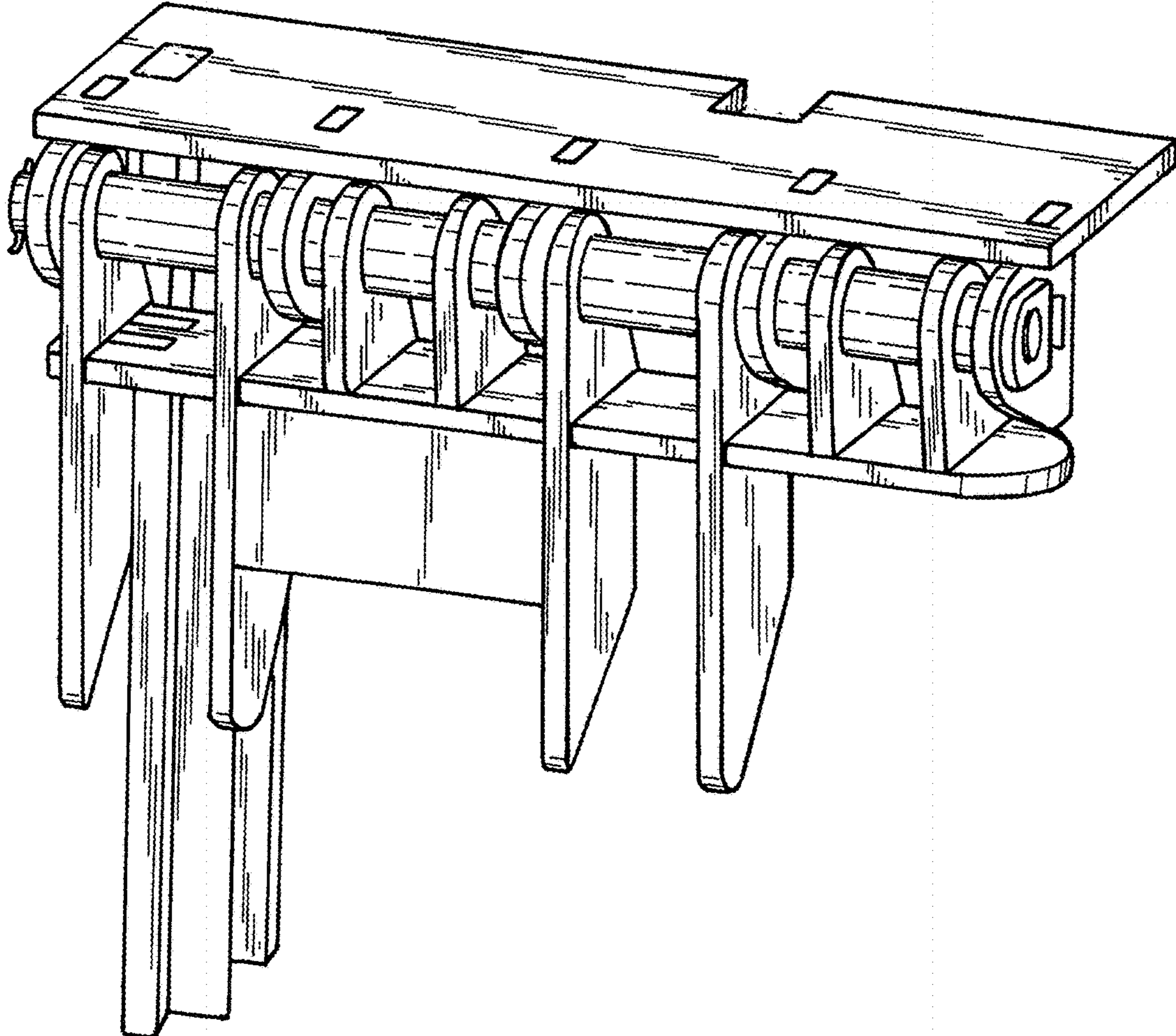


FIG.1

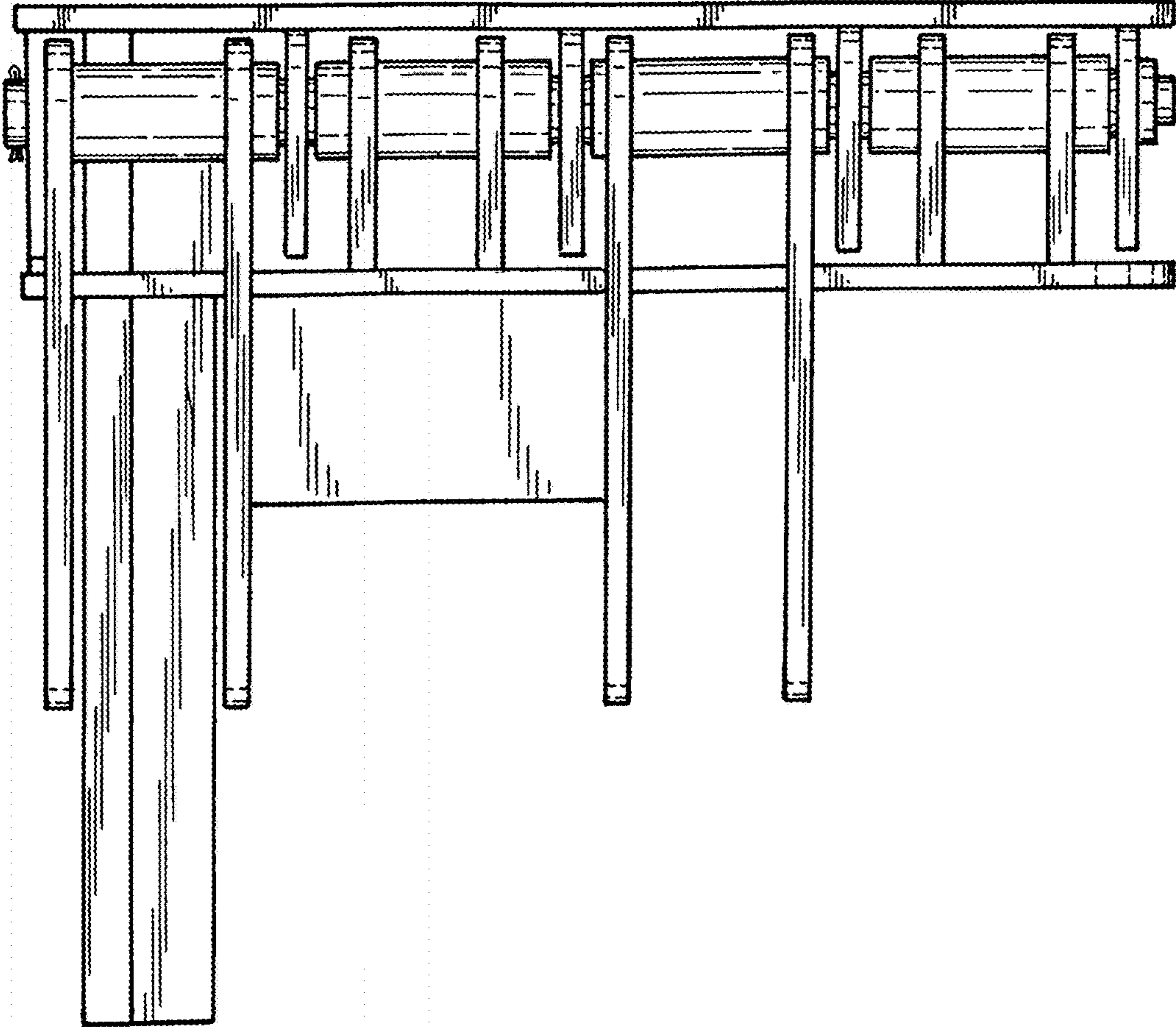


FIG.2

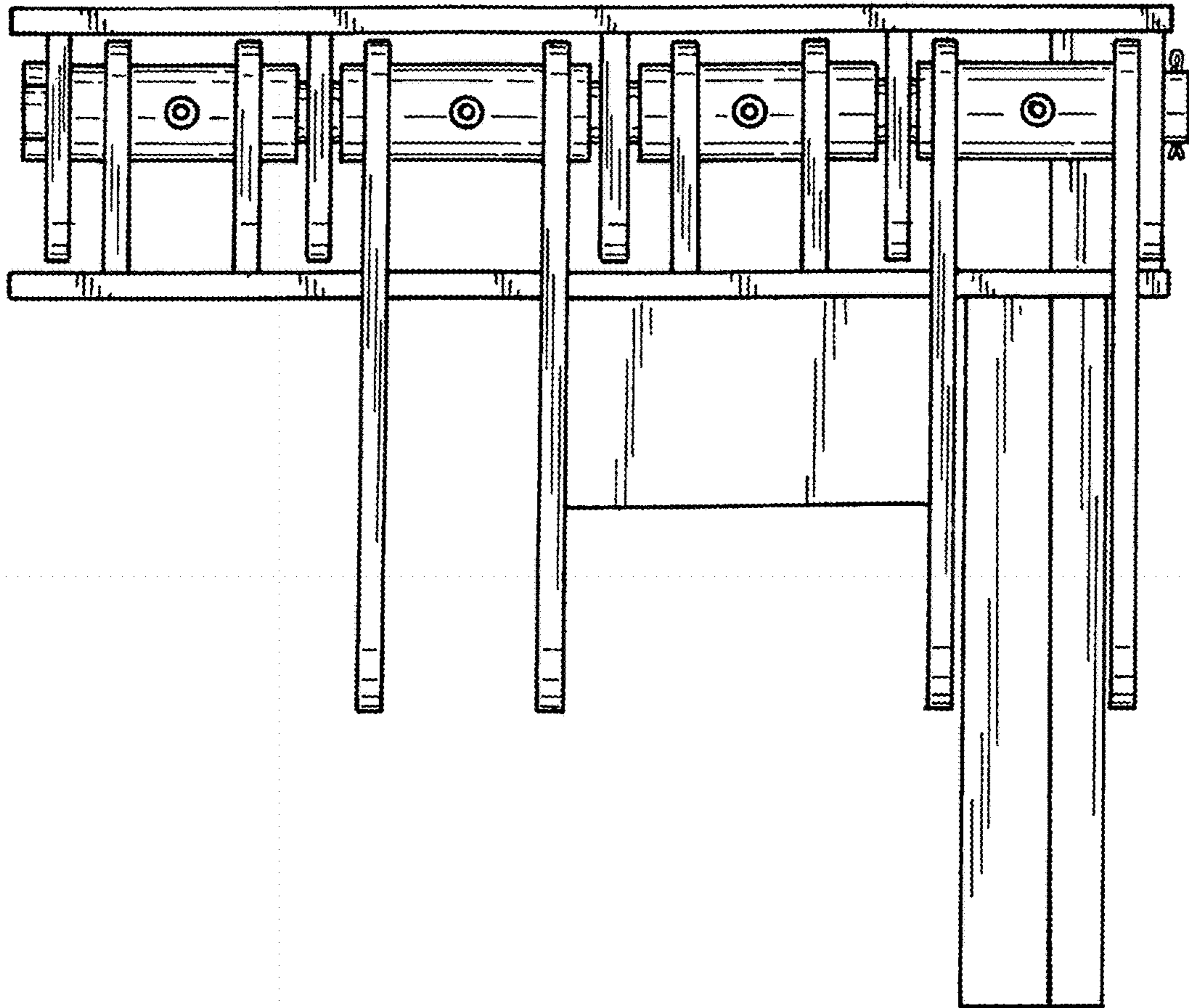


FIG.3

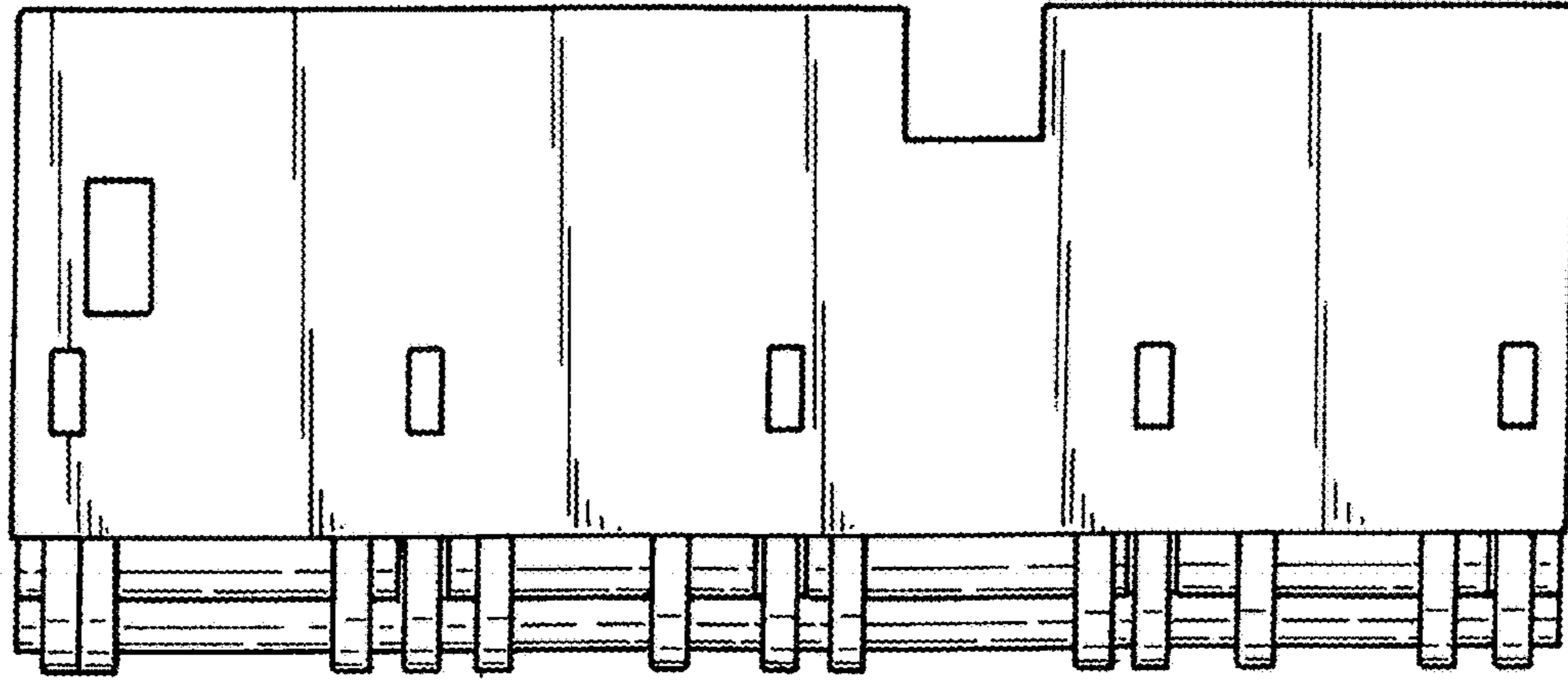


FIG. 4

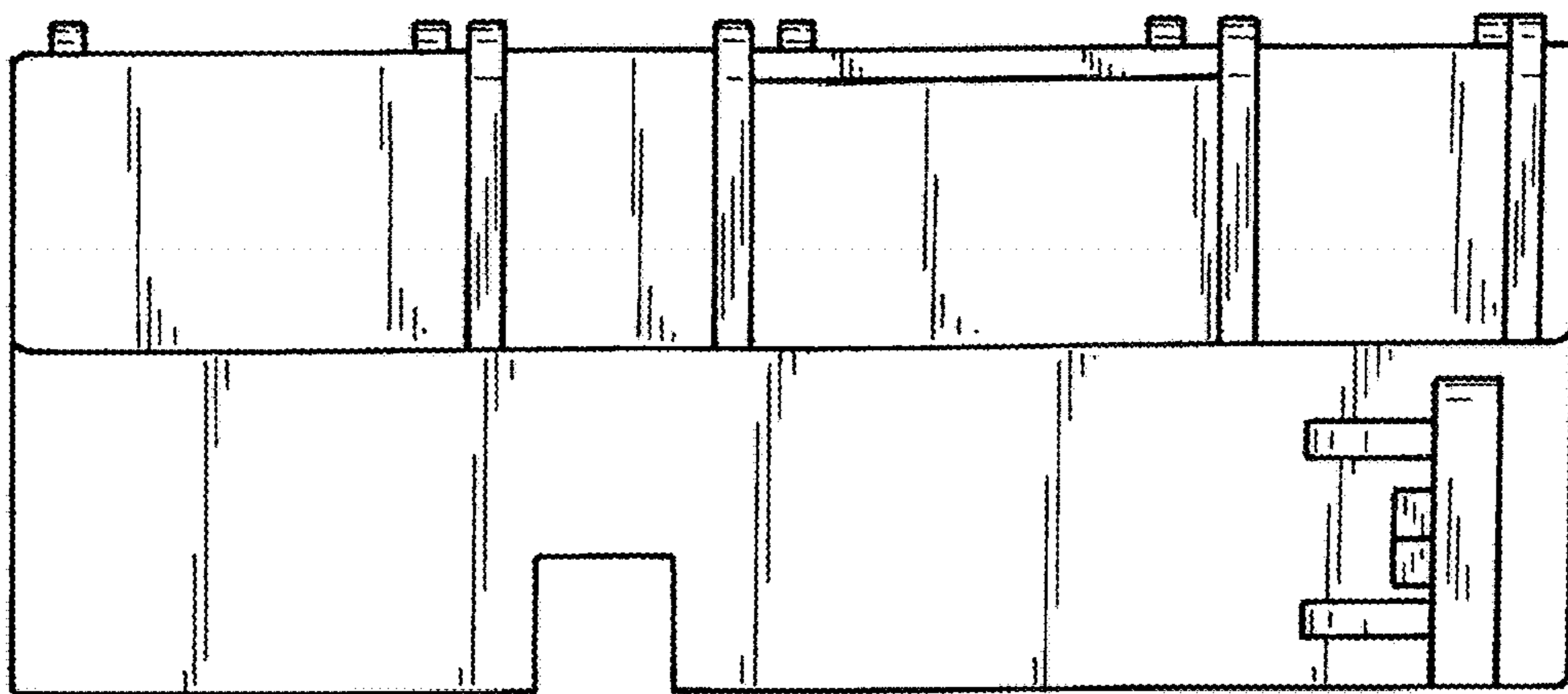


FIG. 5

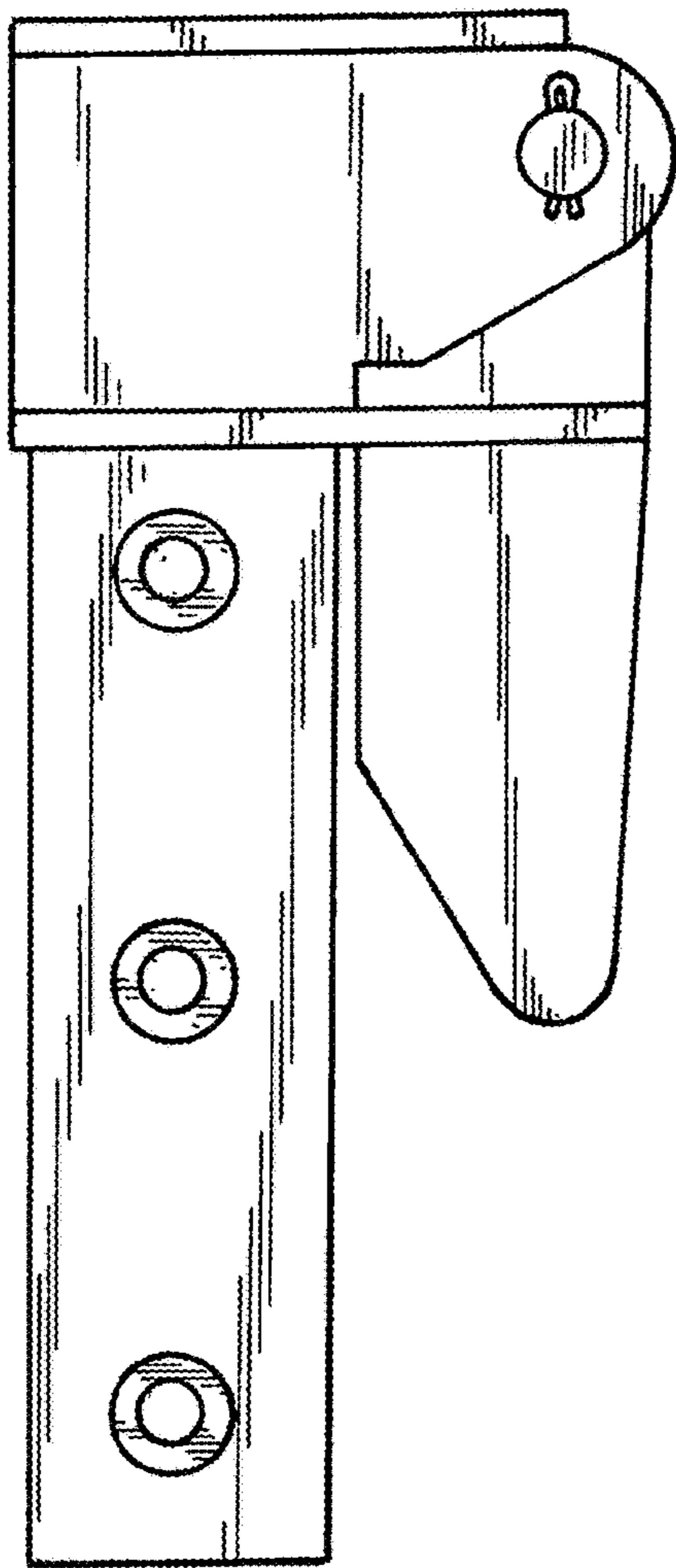


FIG. 6

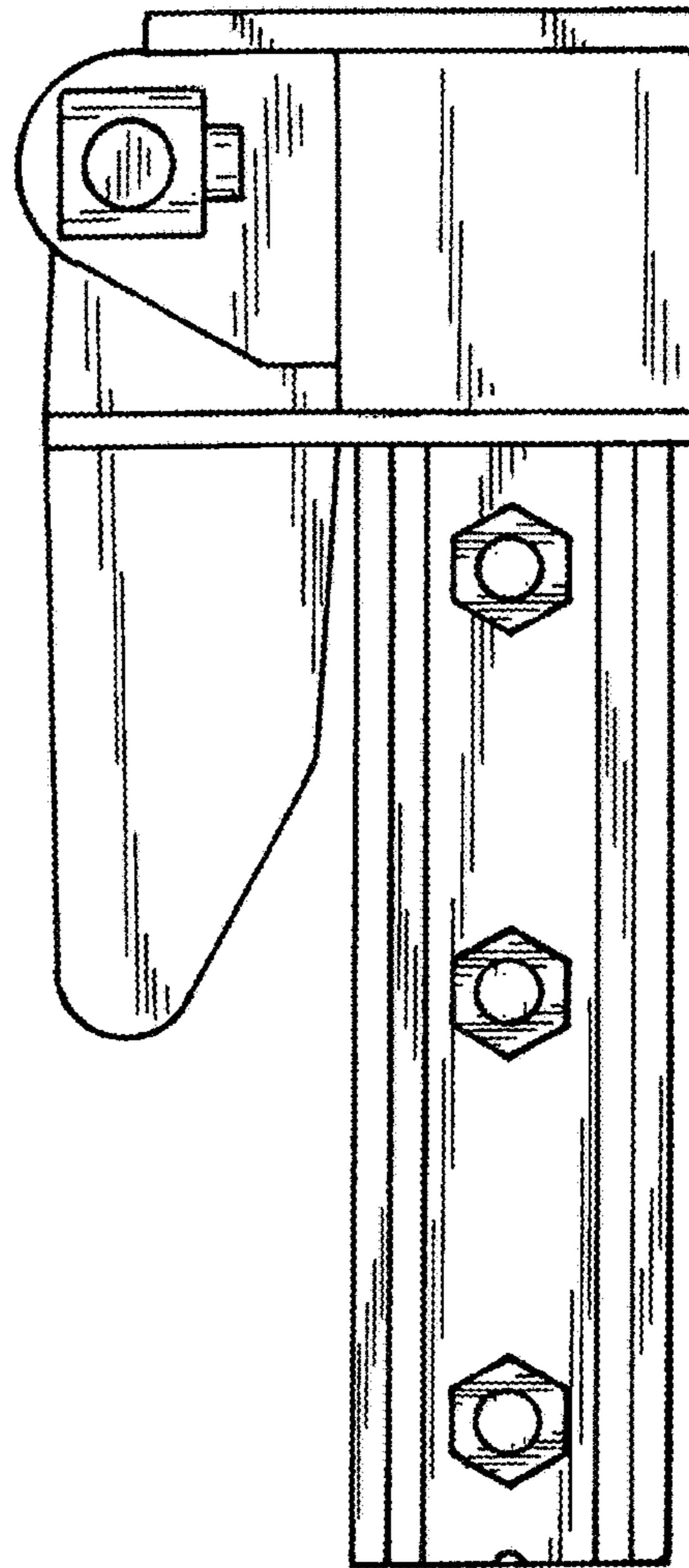


FIG. 7

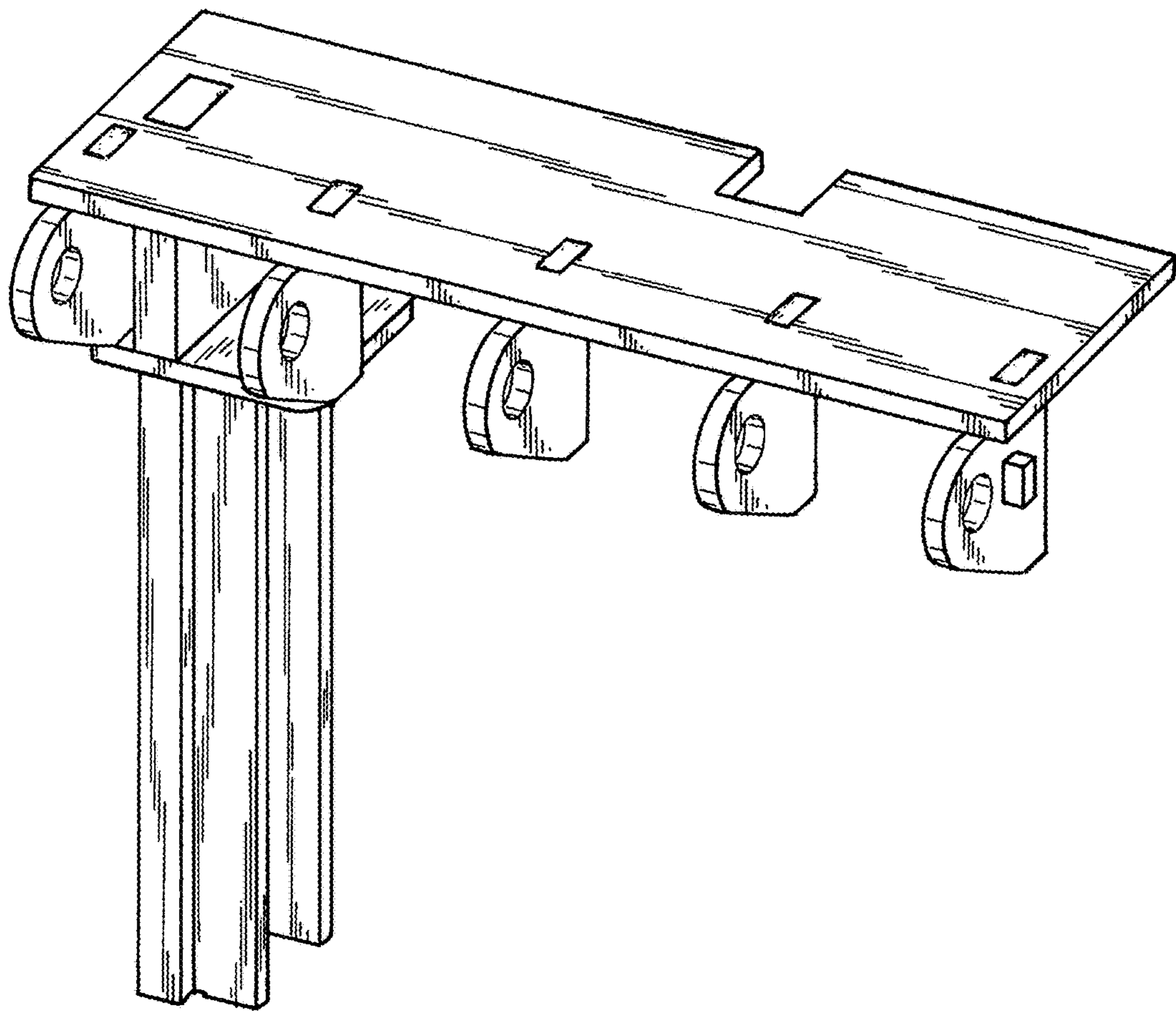


FIG.8

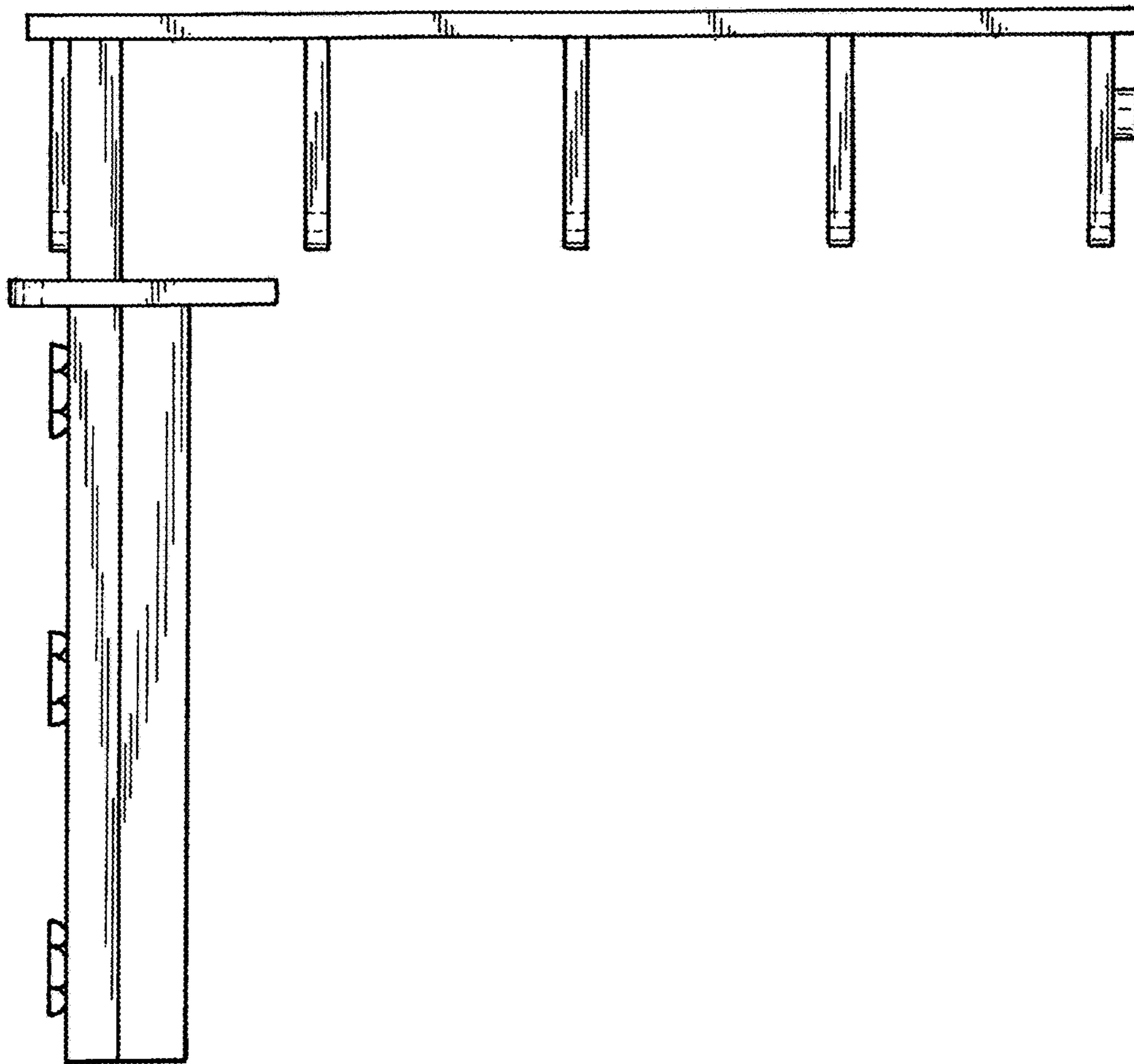


FIG.9

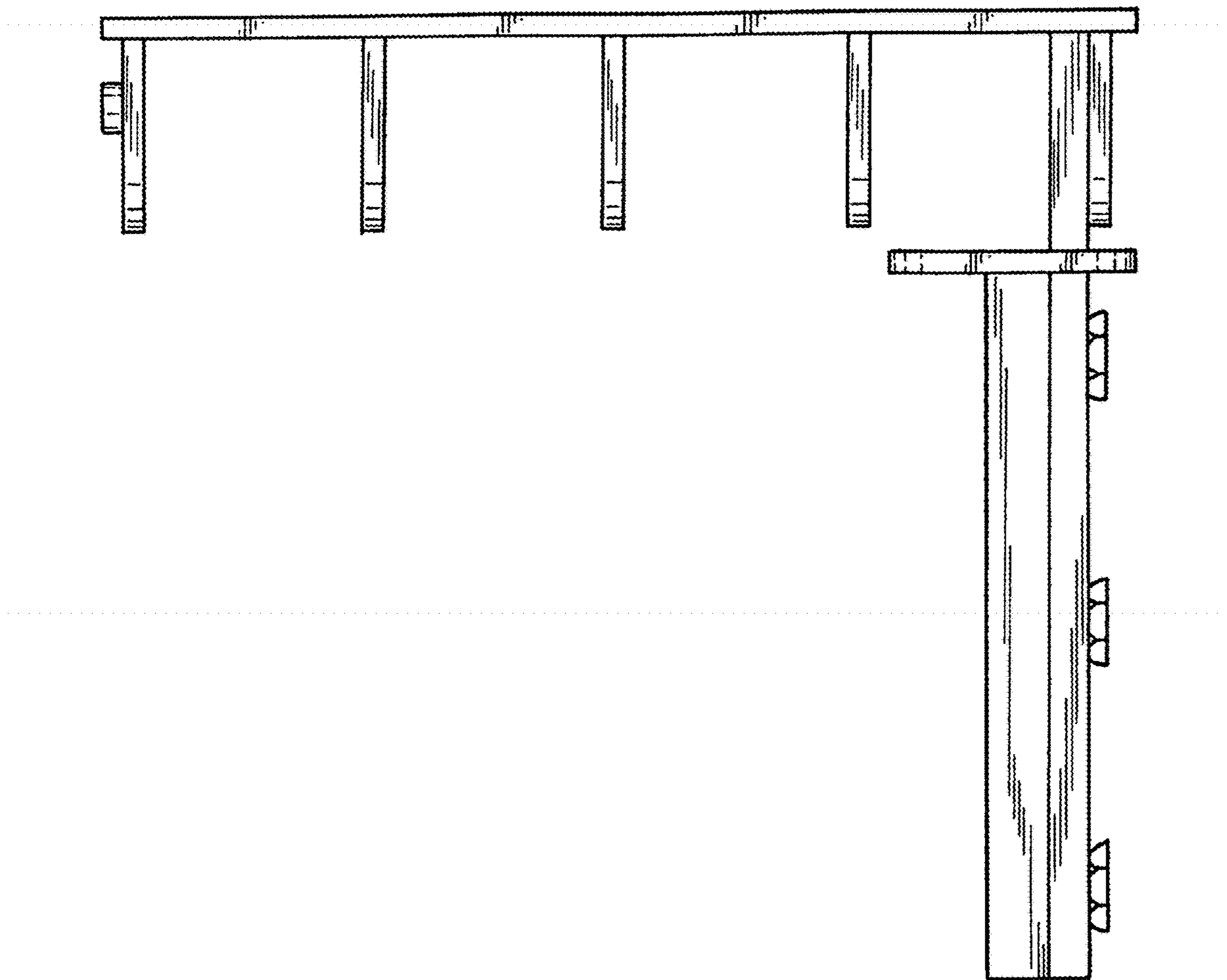


FIG.10

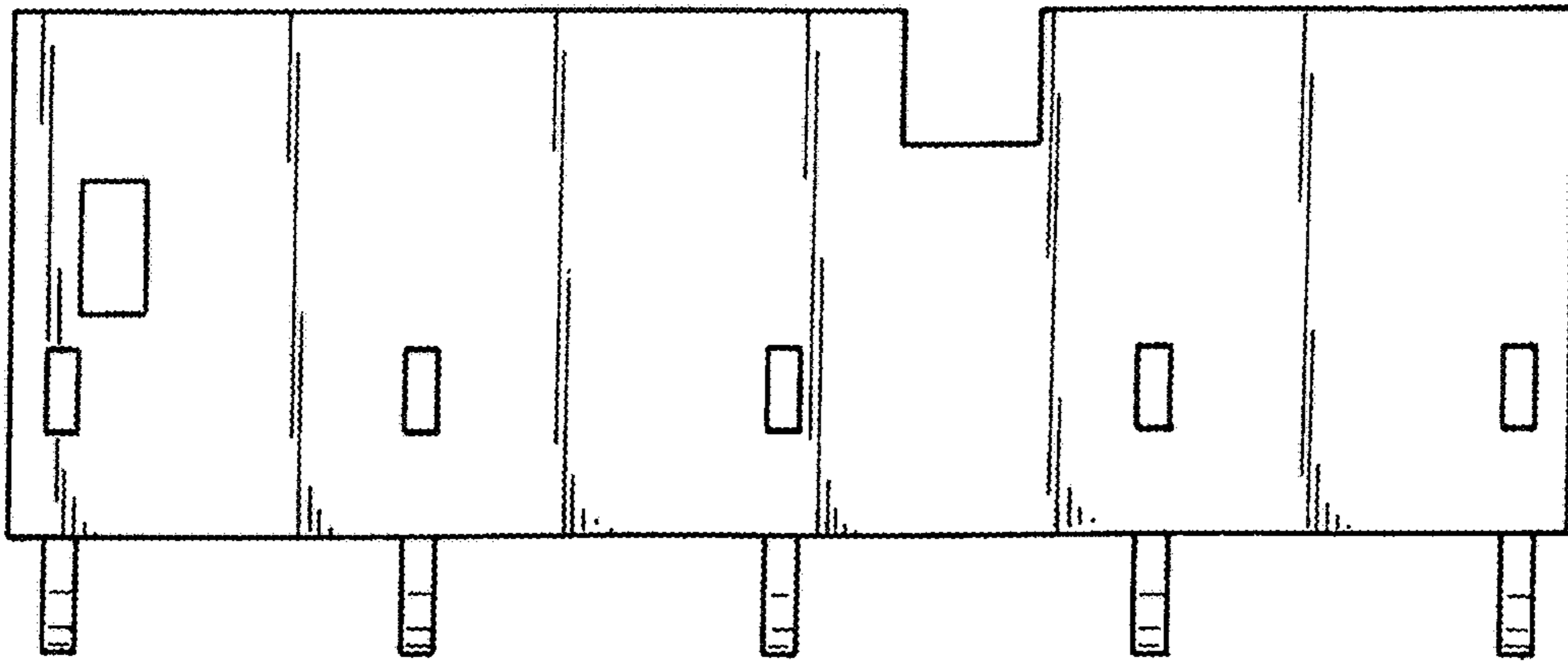


FIG.11

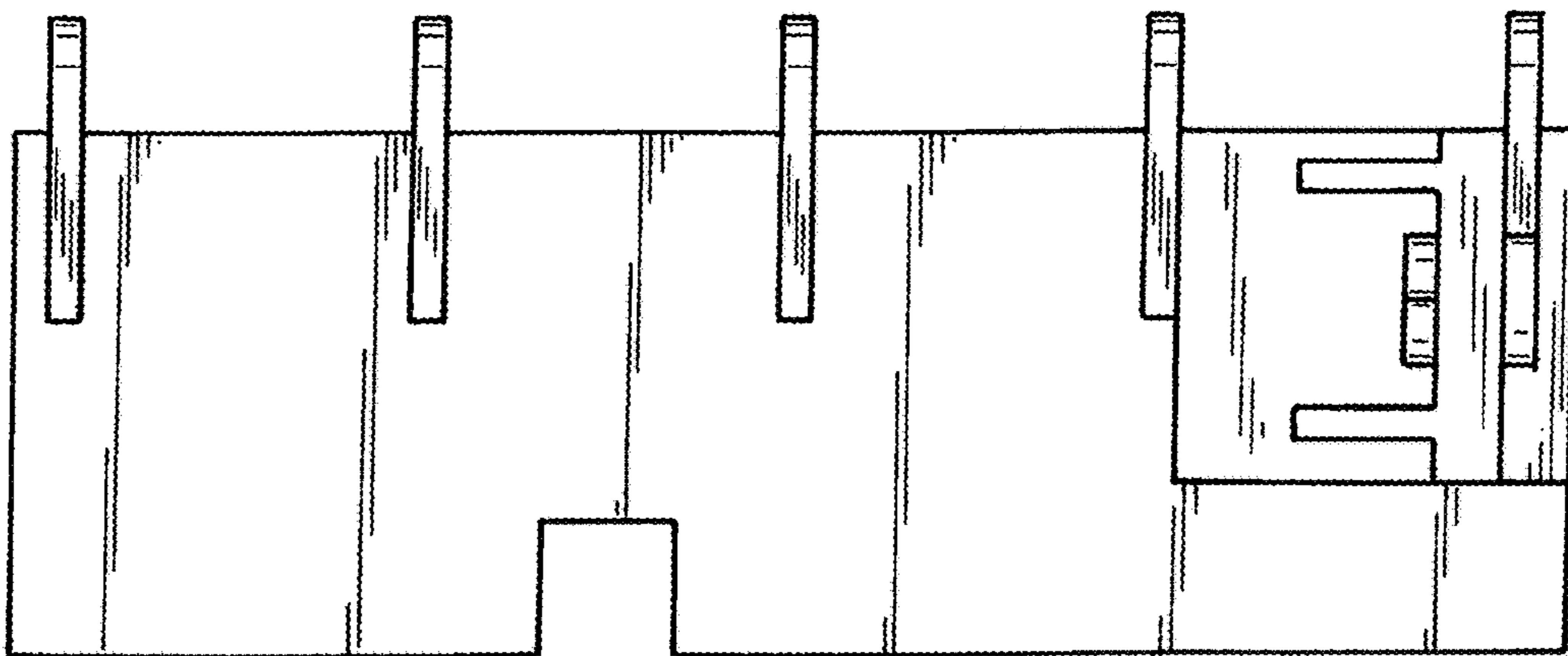


FIG.12

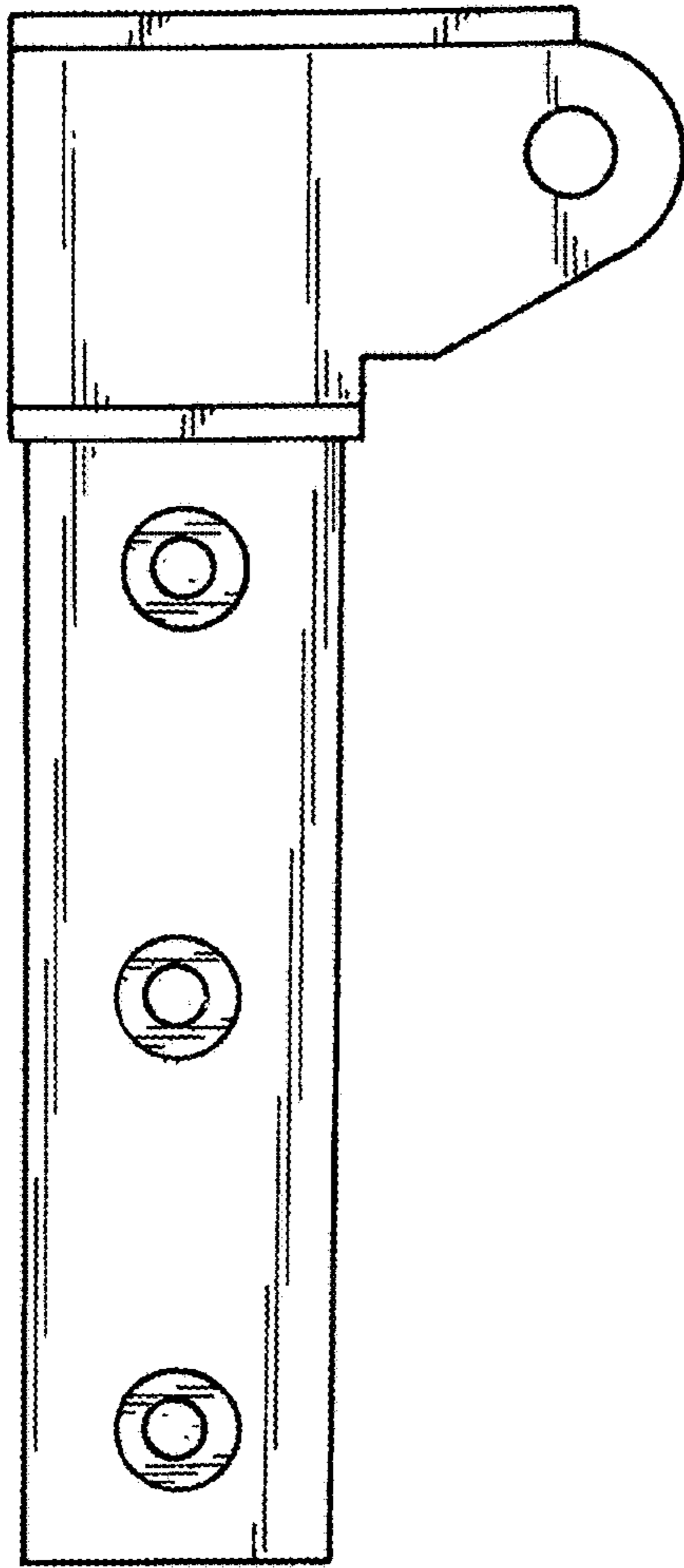


FIG. 13

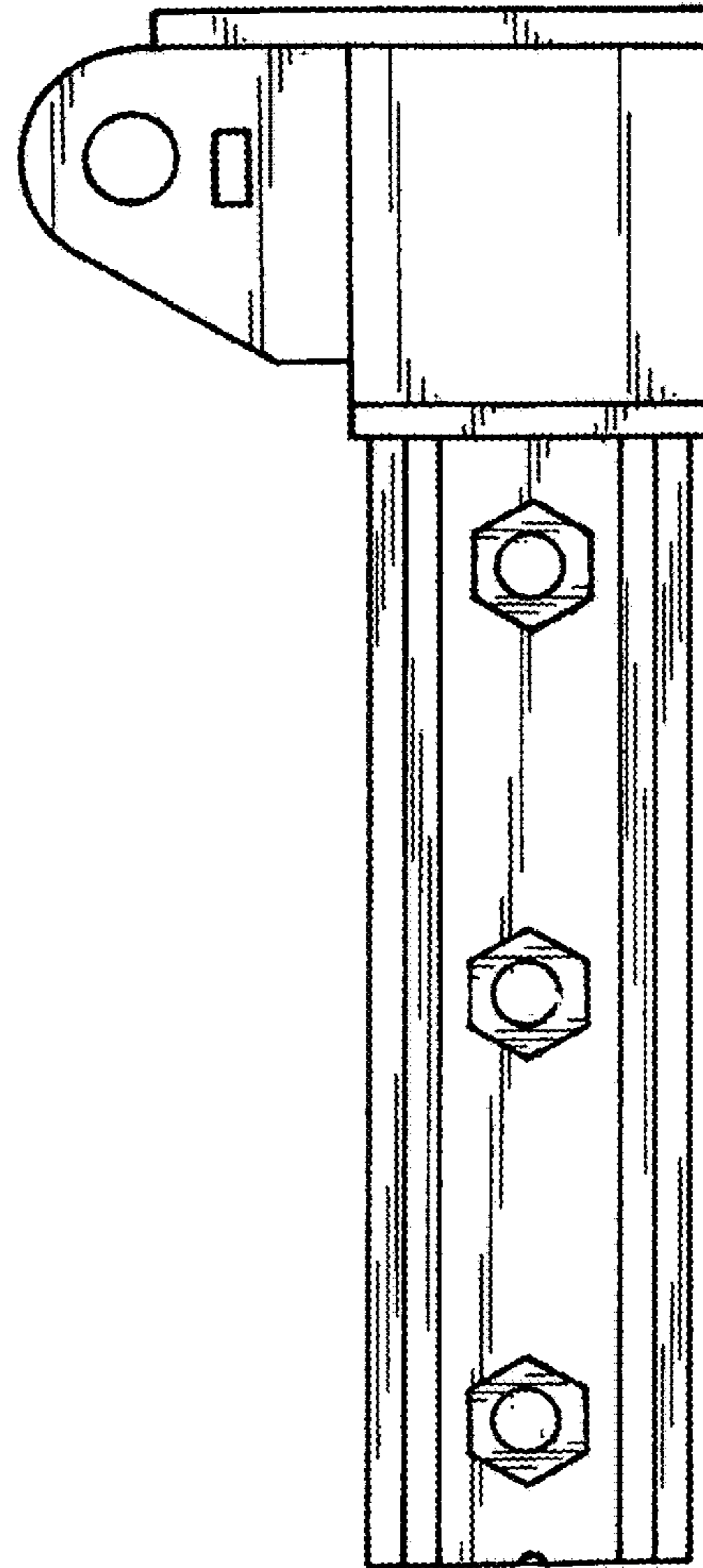


FIG. 14

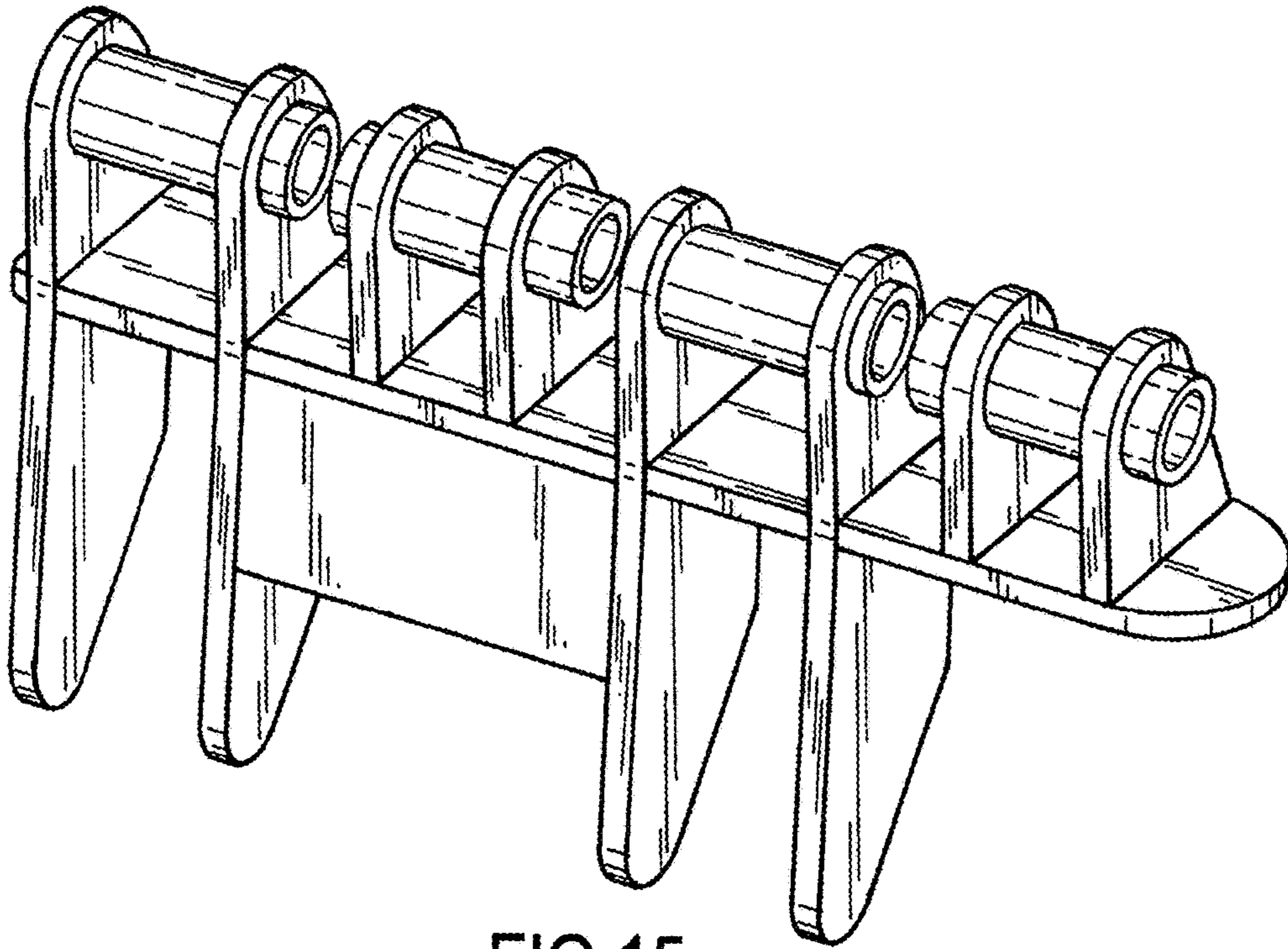


FIG. 15

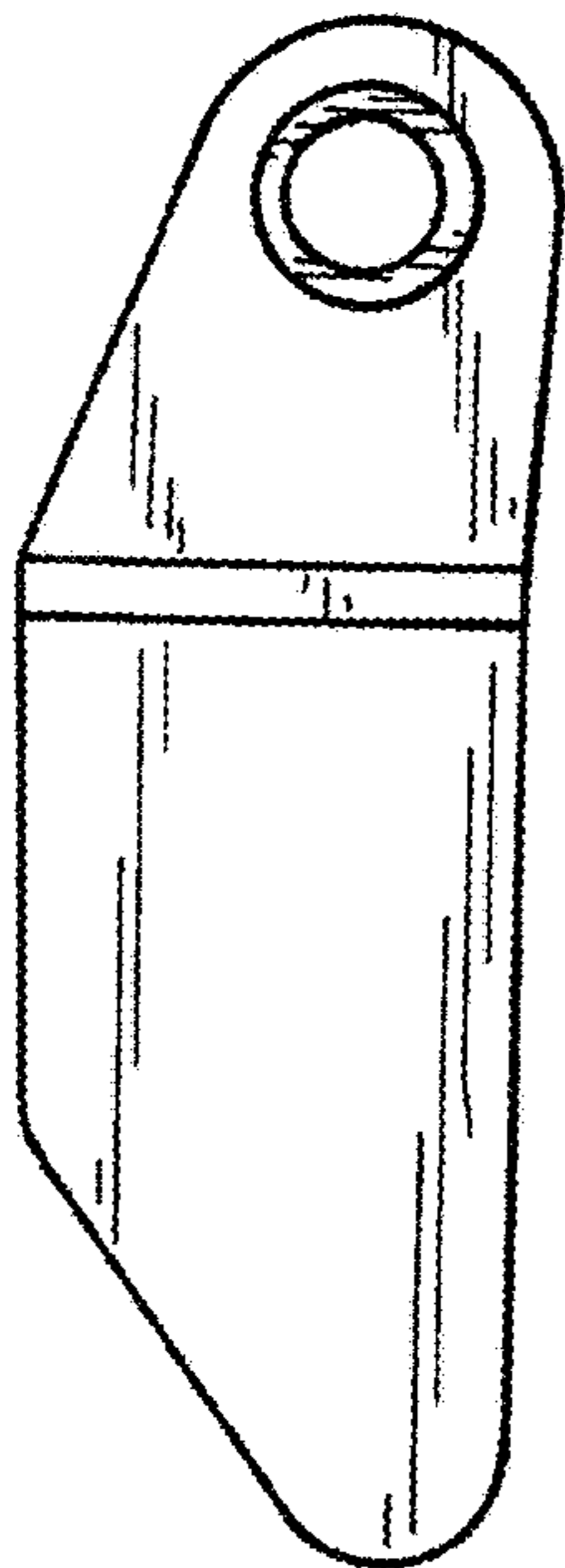


FIG. 16

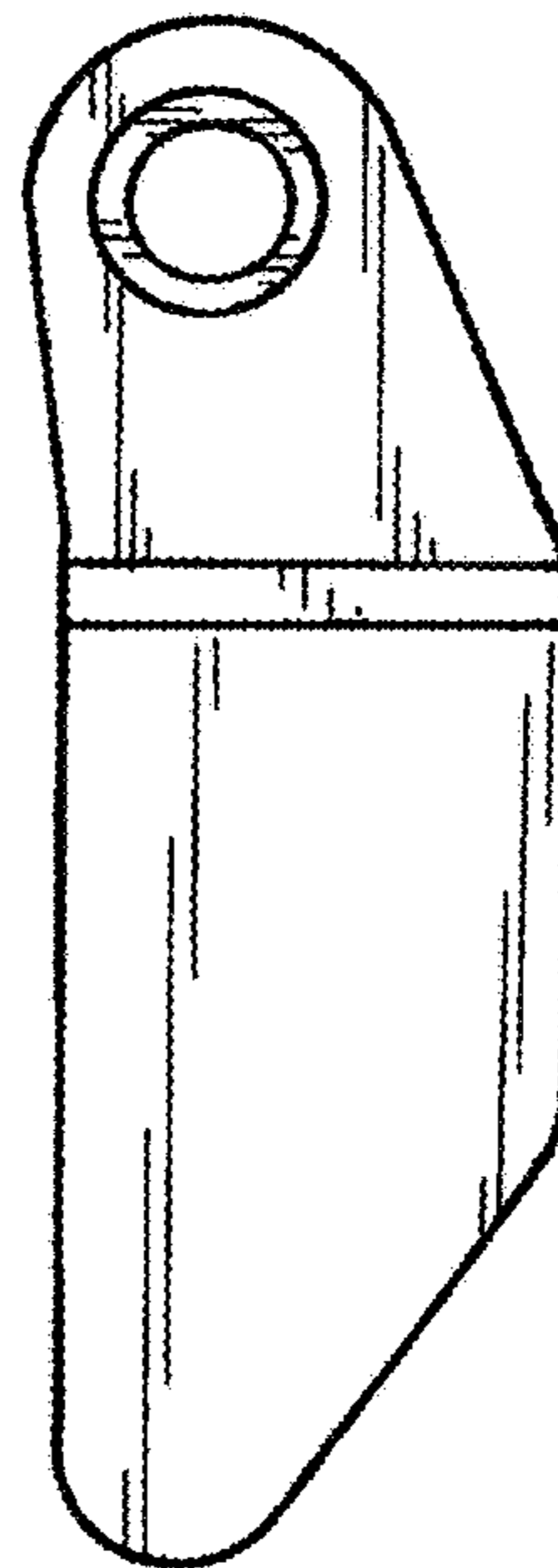


FIG. 17

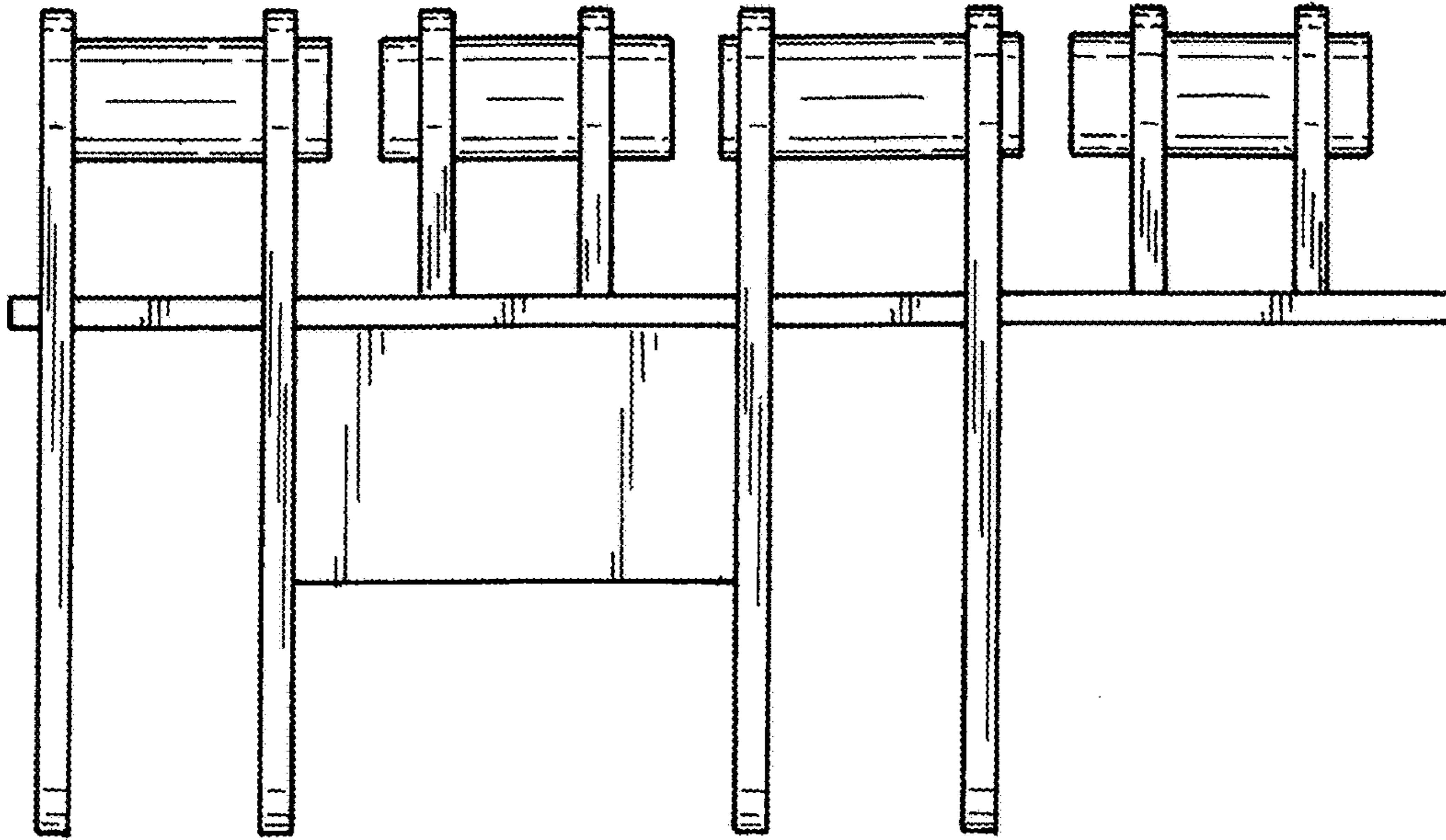


FIG. 18

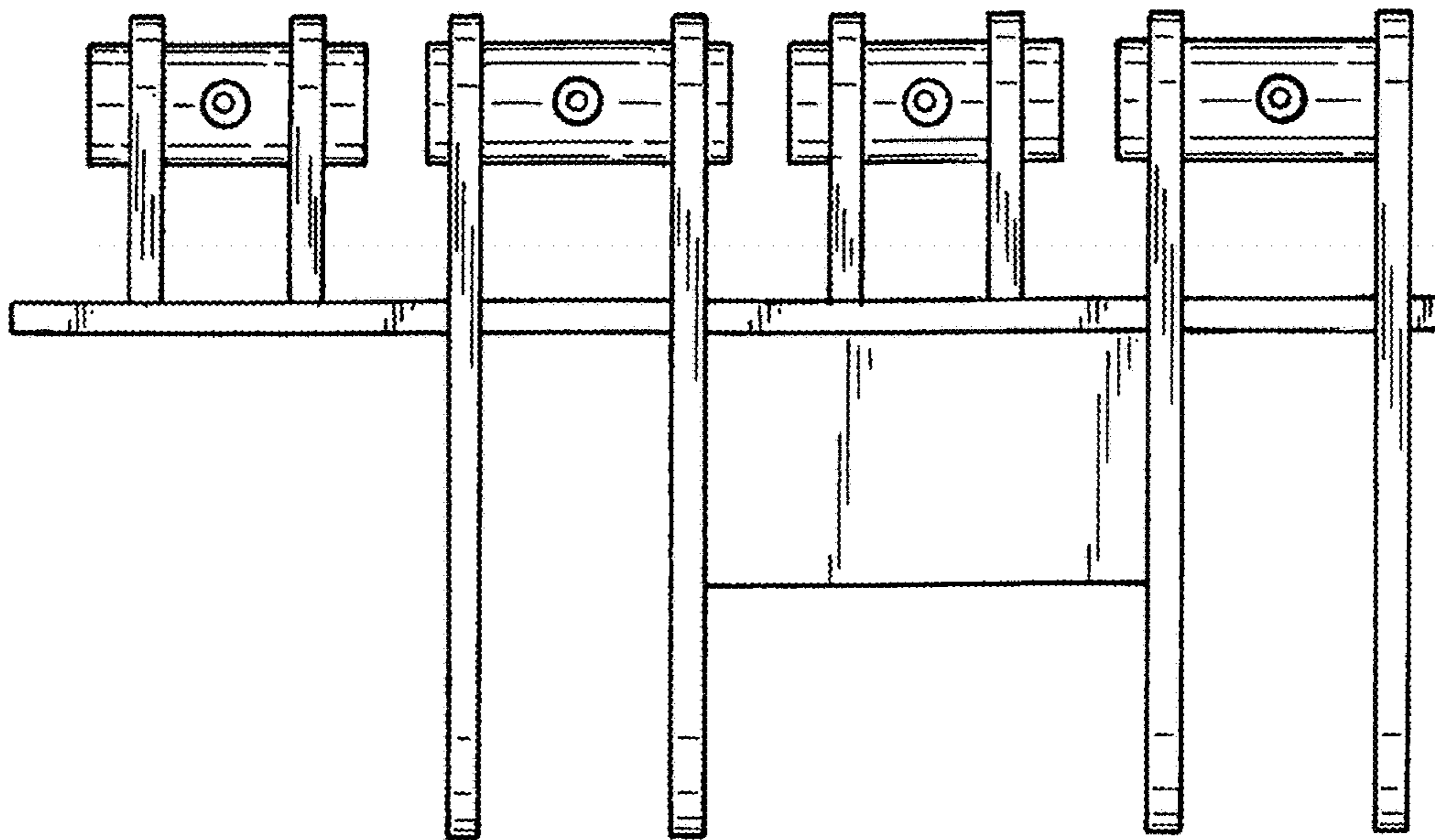


FIG. 19

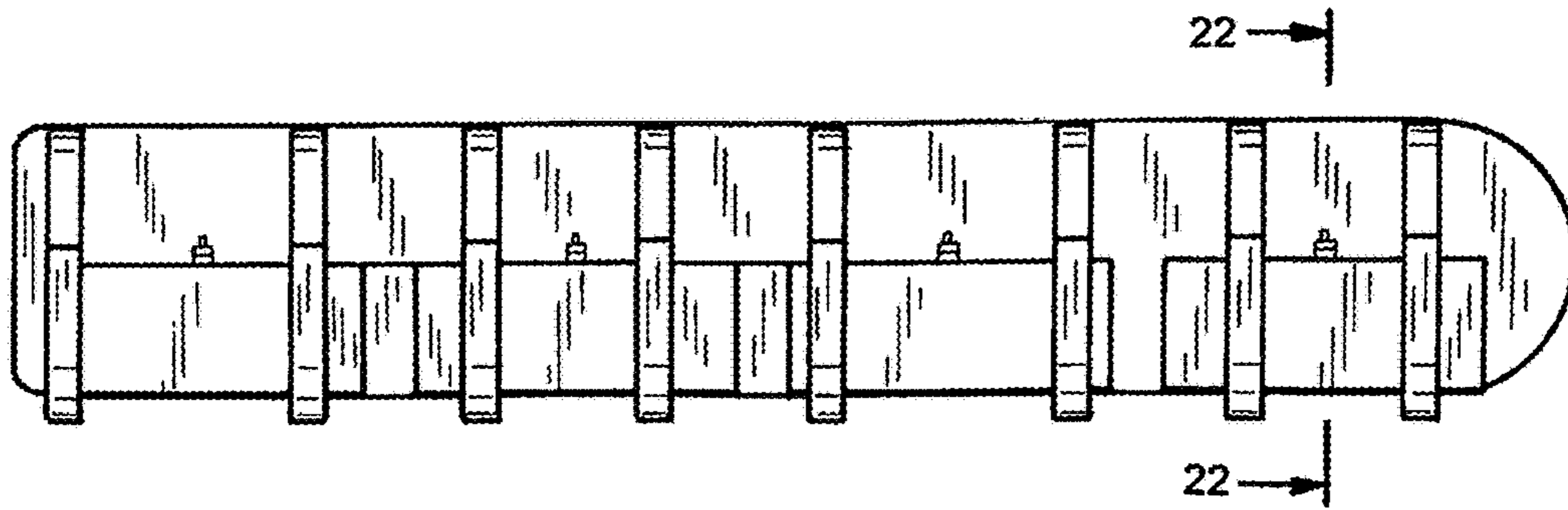


FIG.20

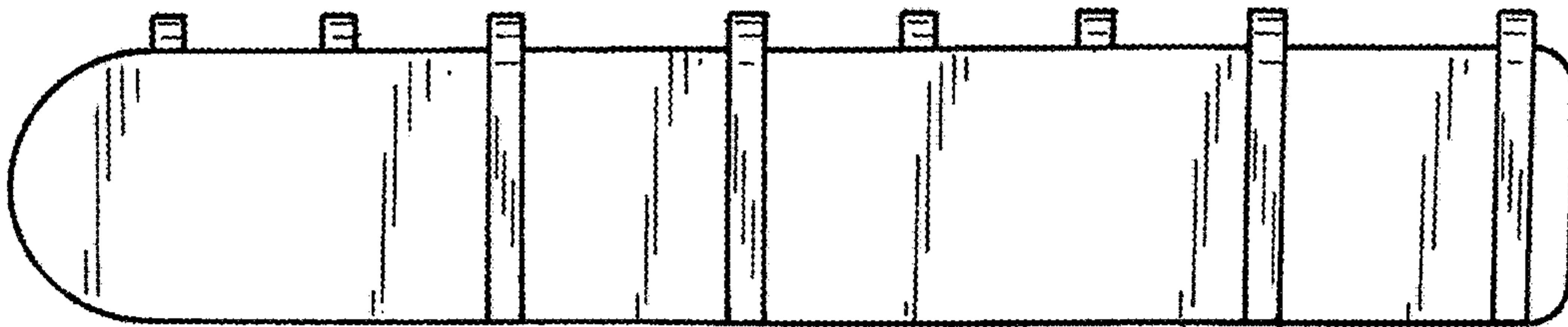


FIG.21

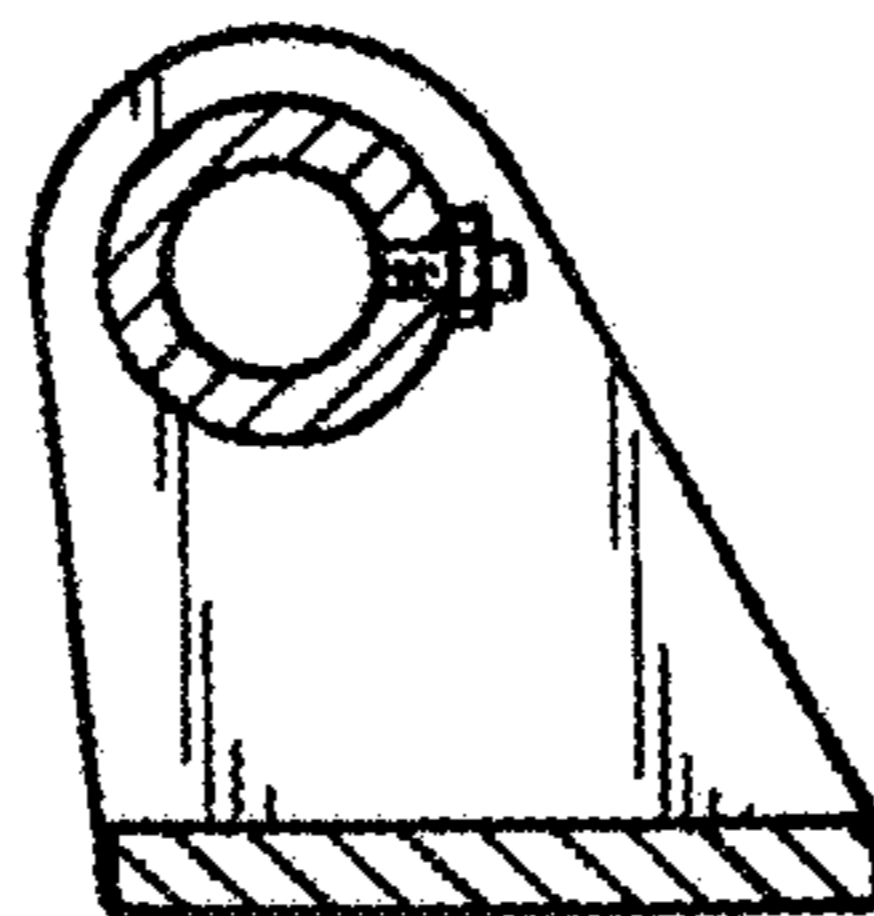


FIG.22