



US00D814902S

(12) **United States Design Patent**  
**Berenji et al.**

(10) **Patent No.:** **US D814,902 S**  
(45) **Date of Patent:** **\*\* Apr. 10, 2018**

- (54) **POCKET KNIFE**
- (71) Applicant: **Microtech Knives**, Bradford (PA)
- (72) Inventors: **Sebastijan Berenji**, Fletcher, NC (US);  
**Anthony L. Marfione**, Fletcher, NC (US)
- (73) Assignee: **Microtech Knives**, Bradford, PA (US)
- (\*\*) Term: **15 Years**
- (21) Appl. No.: **29/583,686**
- (22) Filed: **Nov. 8, 2016**
- (51) **LOC (11) Cl.** ..... **08-03**
- (52) **U.S. Cl.**  
USPC ..... **D8/99**
- (58) **Field of Classification Search**  
USPC ..... D8/98, 99, 100, 105, 107; D22/118  
CPC ..... B26B 5/001; B26B 5/003; B26B 11/00;  
B26B 1/08; B26B 1/02; B26B 1/10;  
B26B 1/04  
See application file for complete search history.

D488,045 S *	4/2004	Onion	.....	D8/99
D567,055 S *	4/2008	Renzi	.....	D8/99
D706,107 S *	6/2014	Pelton	.....	D8/99
D743,769 S *	11/2015	Glesser	.....	D8/99
D753,459 S *	4/2016	Glesser	.....	D8/99
D768,456 S *	10/2016	Cheng	.....	D8/99
D768,458 S *	10/2016	Mingyi	.....	D8/99
D769,694 S *	10/2016	Mingyi	.....	D8/99
2006/0143929 A1 *	7/2006	Lake	.....	B26B 1/044 30/155

\* cited by examiner

*Primary Examiner* — Phillip S Hyder  
(74) *Attorney, Agent, or Firm* — SteveLeBlancLLC

(57) **CLAIM**

The ornamental design for a pocket knife, as shown and described.

**DESCRIPTION**

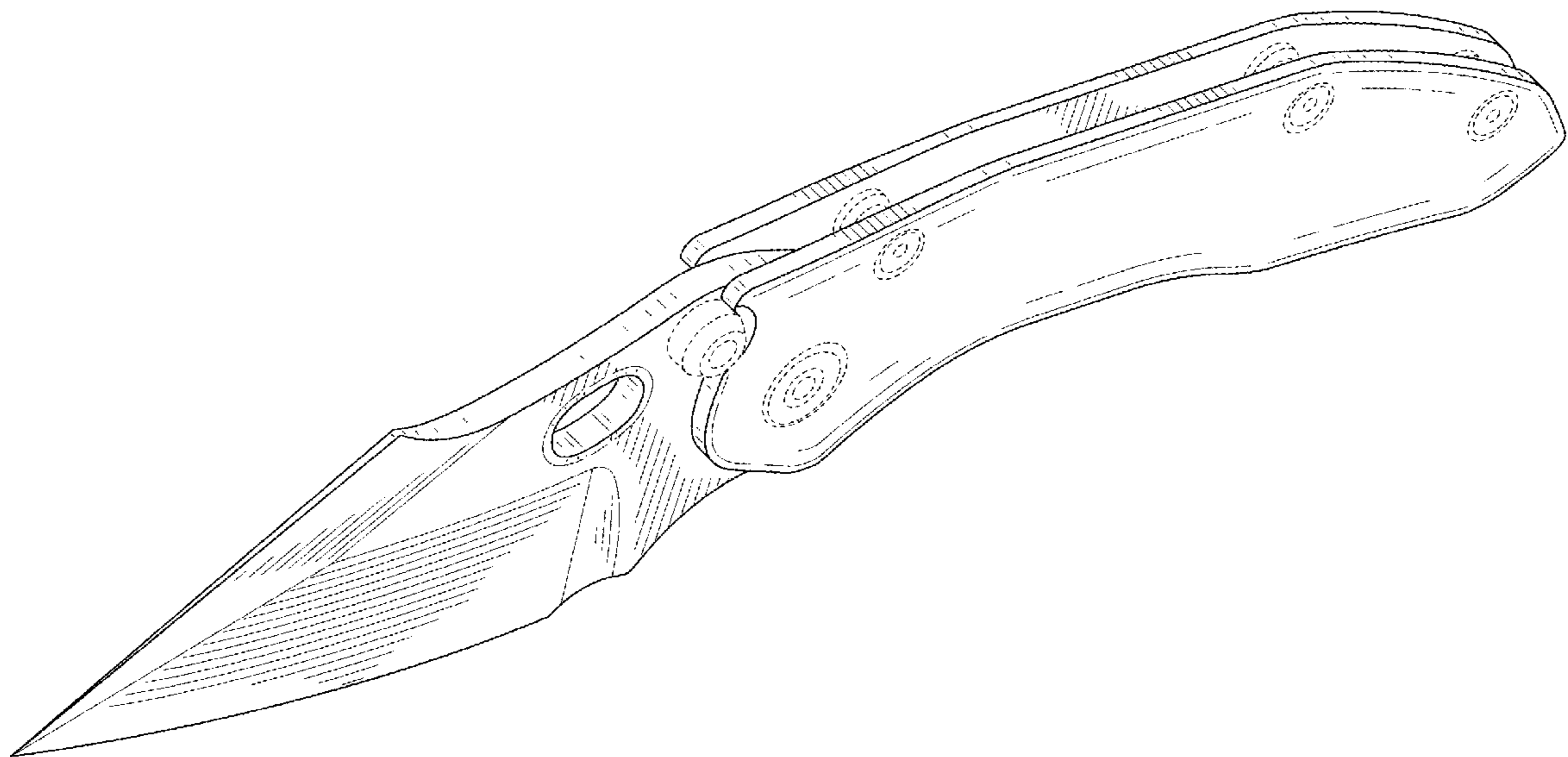
FIG. 1 is a perspective view of the pocket knife;  
FIG. 2 is a top view of the pocket knife;  
FIG. 3 is a bottom view of the pocket knife;  
FIG. 4 is a left side view of the pocket knife;  
FIG. 5 is a right side view of the pocket knife;  
FIG. 6 is a back view of the pocket knife; and,  
FIG. 7 is a front view of the pocket knife.  
The broken lines shown in FIGS. 1-7 depict portions of the folding knife in which the design is embodied that are not considered part of the claimed design.

(56) **References Cited**

U.S. PATENT DOCUMENTS

D407,002 S *	3/1999	Morton	.....	D8/99
D407,004 S *	3/1999	Hull	.....	D8/99

**1 Claim, 5 Drawing Sheets**



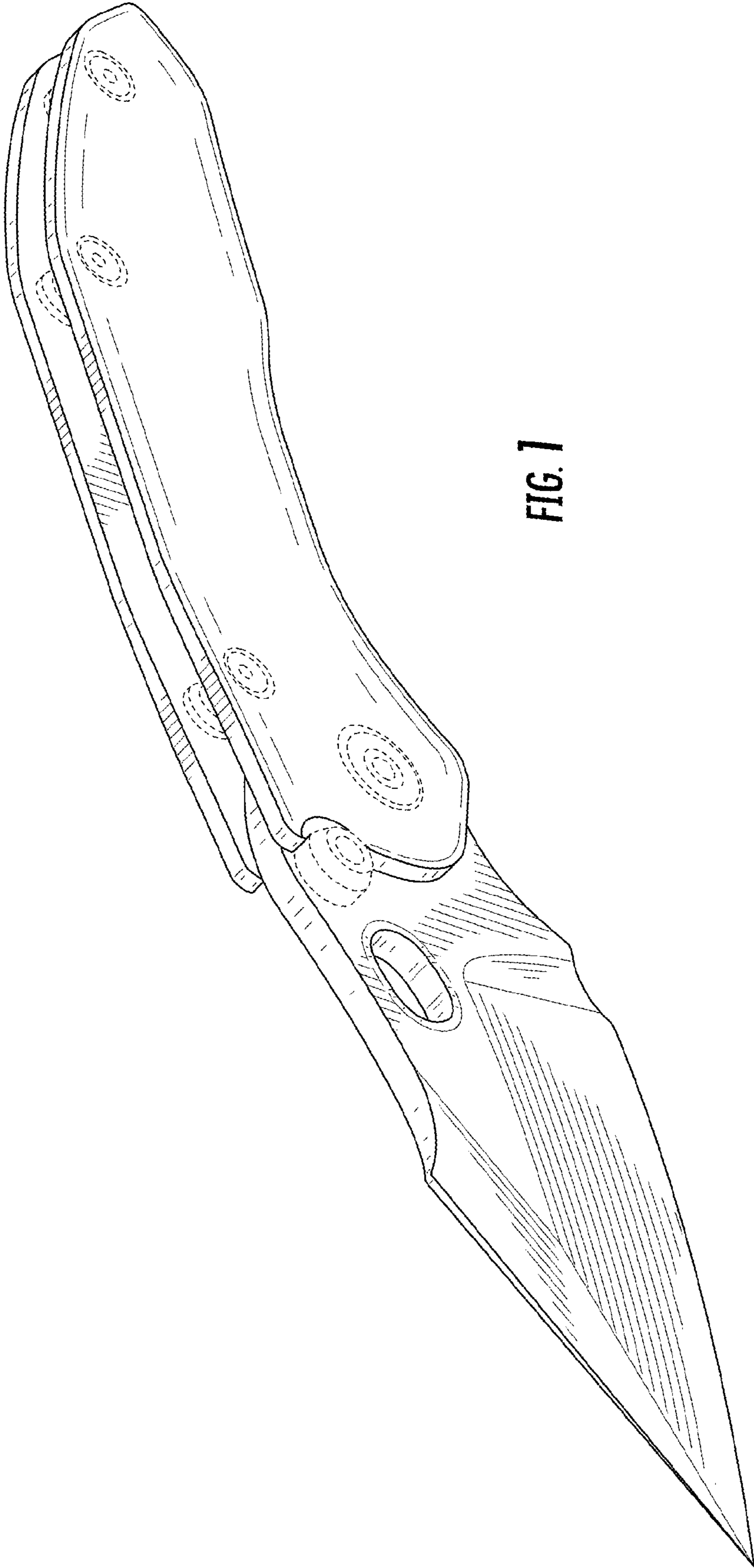
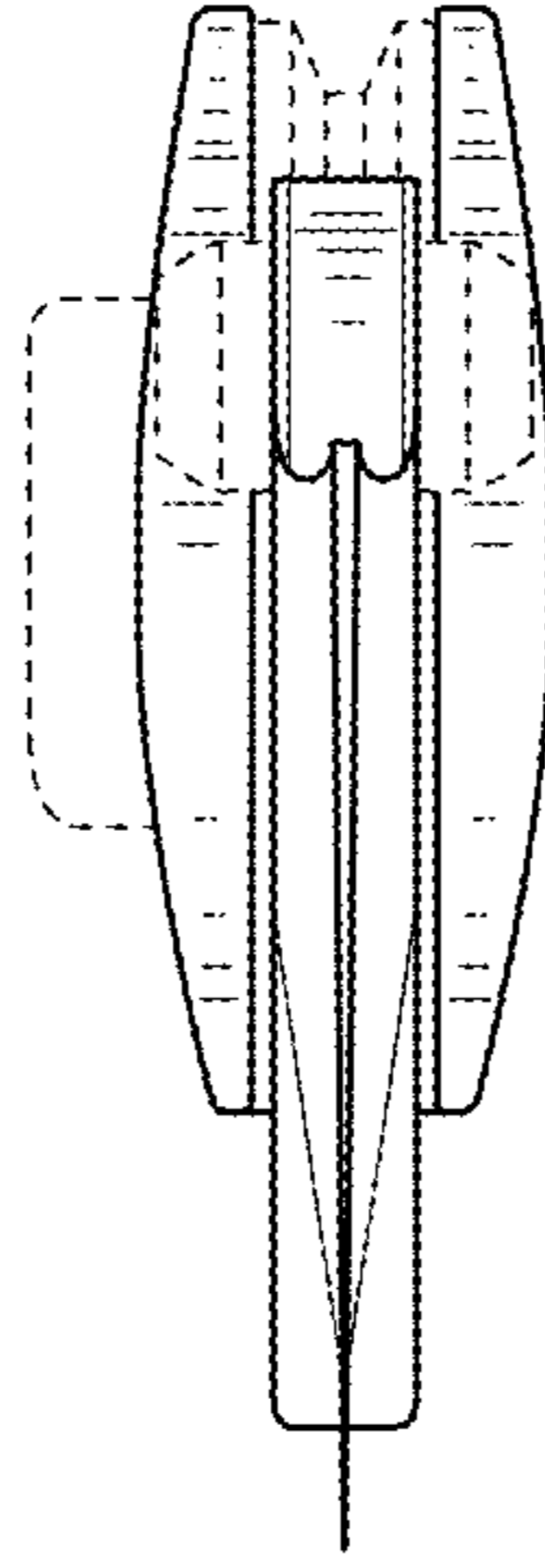
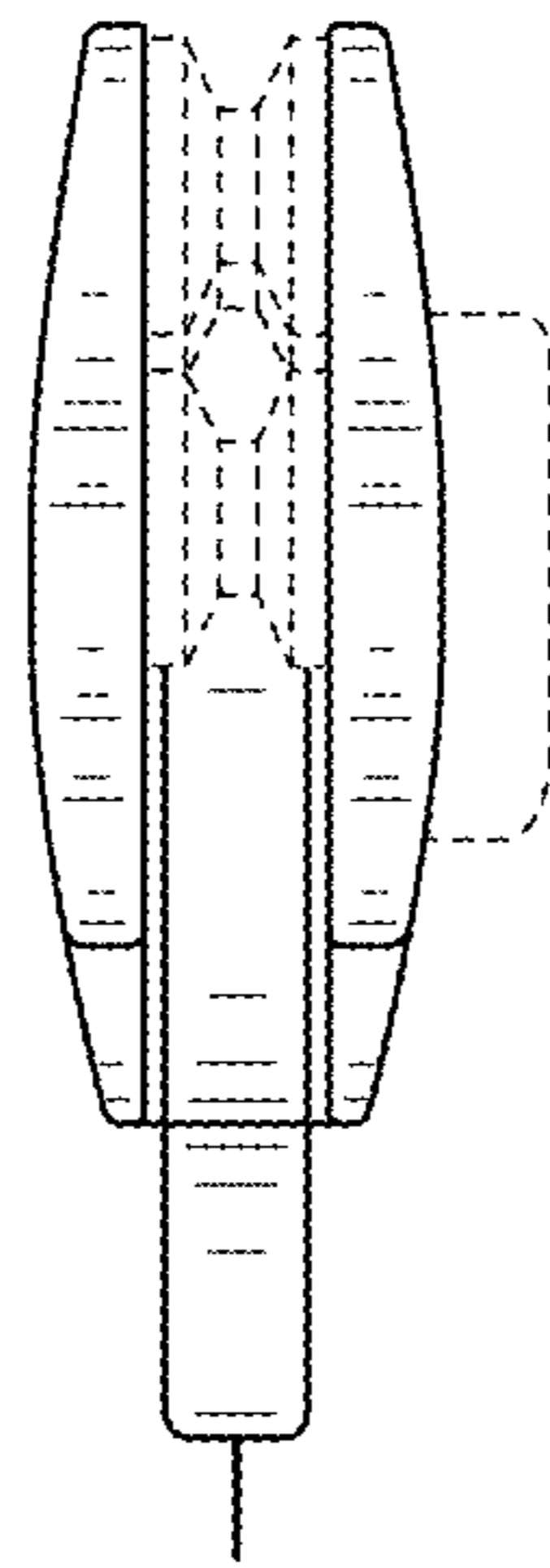


FIG. 1



**FIG. 2**



**FIG. 3**

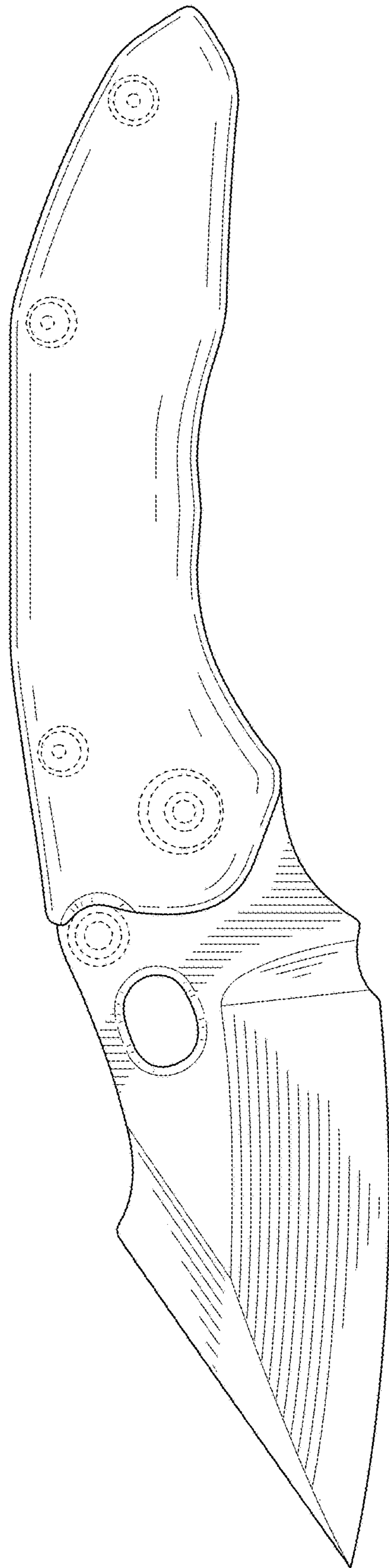


FIG. 4

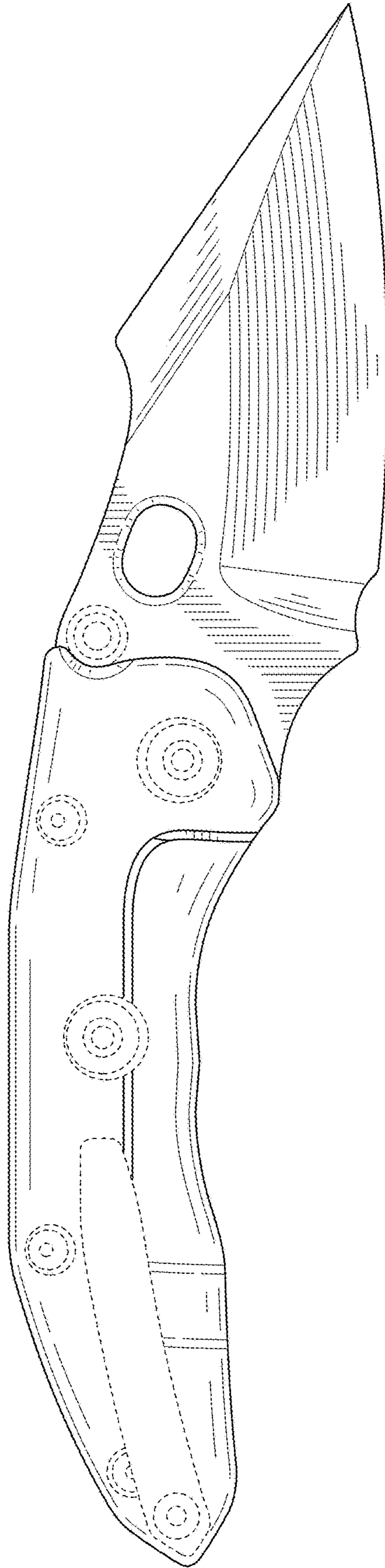


FIG. 5

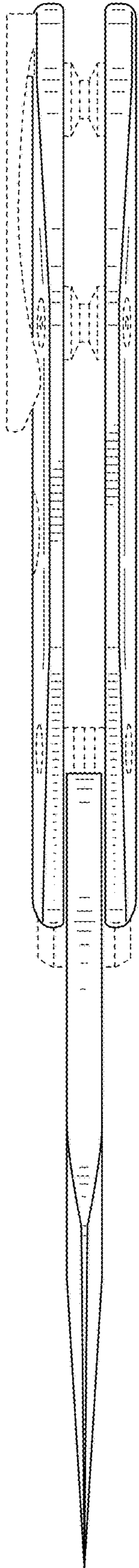


FIG. 6

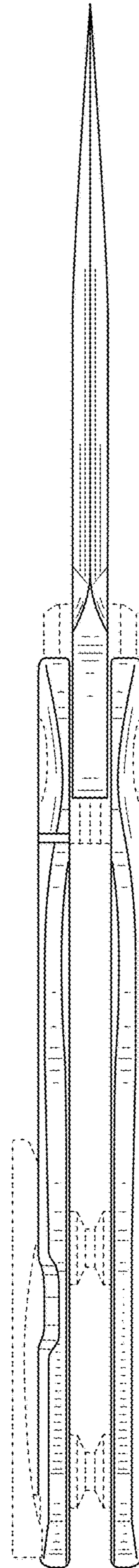


FIG. 7