

US00D814901S

(12) **United States Design Patent**  
**Anderson et al.**

(10) **Patent No.:** **US D814,901 S**  
(45) **Date of Patent:** **\*\* Apr. 10, 2018**

(54) **DRILLING GUIDE ACCESSORY**

FOREIGN PATENT DOCUMENTS

(71) Applicant: **Drilby CC**, Cape Town (ZA)

DE 2803888 8/1979

(72) Inventors: **Mark Anderson**, Western Cape (ZA);  
**Michael Anderson**, Cape Town (ZA);  
**Andrew De Jongh**, Cape Town (ZA)

OTHER PUBLICATIONS

(73) Assignee: **Drillby CC**, Cape Town (ZA)

“Drilby Dust Catcher Drill Guide 4/5/6/8/10/12MM Tork Craft.” Vermont Sales., Dec. 3, 2016 [online], [retrieved on Jan. 26, 2018]. Retrieved from the Internet <URL: [http://www.vermontsales.co.za/index.php?route=product/product&product\\_id=26637](http://www.vermontsales.co.za/index.php?route=product/product&product_id=26637)>.\* Silverline Tools, “Drill Dust Collector”, found at <http://www.silverlinetools.com/en-GB/Products/Power%20Tool%20Accessories/Masonry%20Drill%20Bits/868744>.

(\*\*) Term: **15 Years**

(21) Appl. No.: **29/591,391**

*Primary Examiner* — Darlington Ly

(22) Filed: **Jan. 19, 2017**

(74) *Attorney, Agent, or Firm* — Haugen Law Firm PLLP

(30) **Foreign Application Priority Data**

(57) **CLAIM**

Aug. 4, 2016 (ZA) ..... A2016/01101

The ornamental design for a drilling guide accessory, as shown and described.

(51) **LOC (11) Cl.** ..... **08-05**

**DESCRIPTION**

(52) **U.S. Cl.**

USPC ..... **D8/70**; D15/140; D10/64

(58) **Field of Classification Search**

USPC ..... D8/70, 71; D10/61, 64, 65; D15/132,  
D15/138, 140, 143; D24/133, 140, 147,  
D24/149

CPC ..... B23B 47/28; B23B 47/287; B23B 47/288;  
B25B 5/068; B25B 5/145

See application file for complete search history.

FIG. 1 is a top perspective view of a drilling guide accessory showing our new design in an assembled configuration; FIG. 2 is a bottom perspective view thereof in an assembled configuration; FIG. 3 is an exploded top perspective view thereof in a disassembled configuration; FIG. 4 is an exploded bottom perspective view thereof in a disassembled configuration; FIG. 5 is a front elevation view thereof in an assembled configuration; FIG. 6 is a rear elevation view thereof in an assembled configuration; FIG. 7 is a left side elevation view thereof in an assembled configuration; FIG. 8 is a right side elevation view thereof in an assembled configuration; FIG. 9 is a top plan view thereof in an assembled configuration; and, FIG. 10 is a bottom plan view thereof in an assembled configuration.

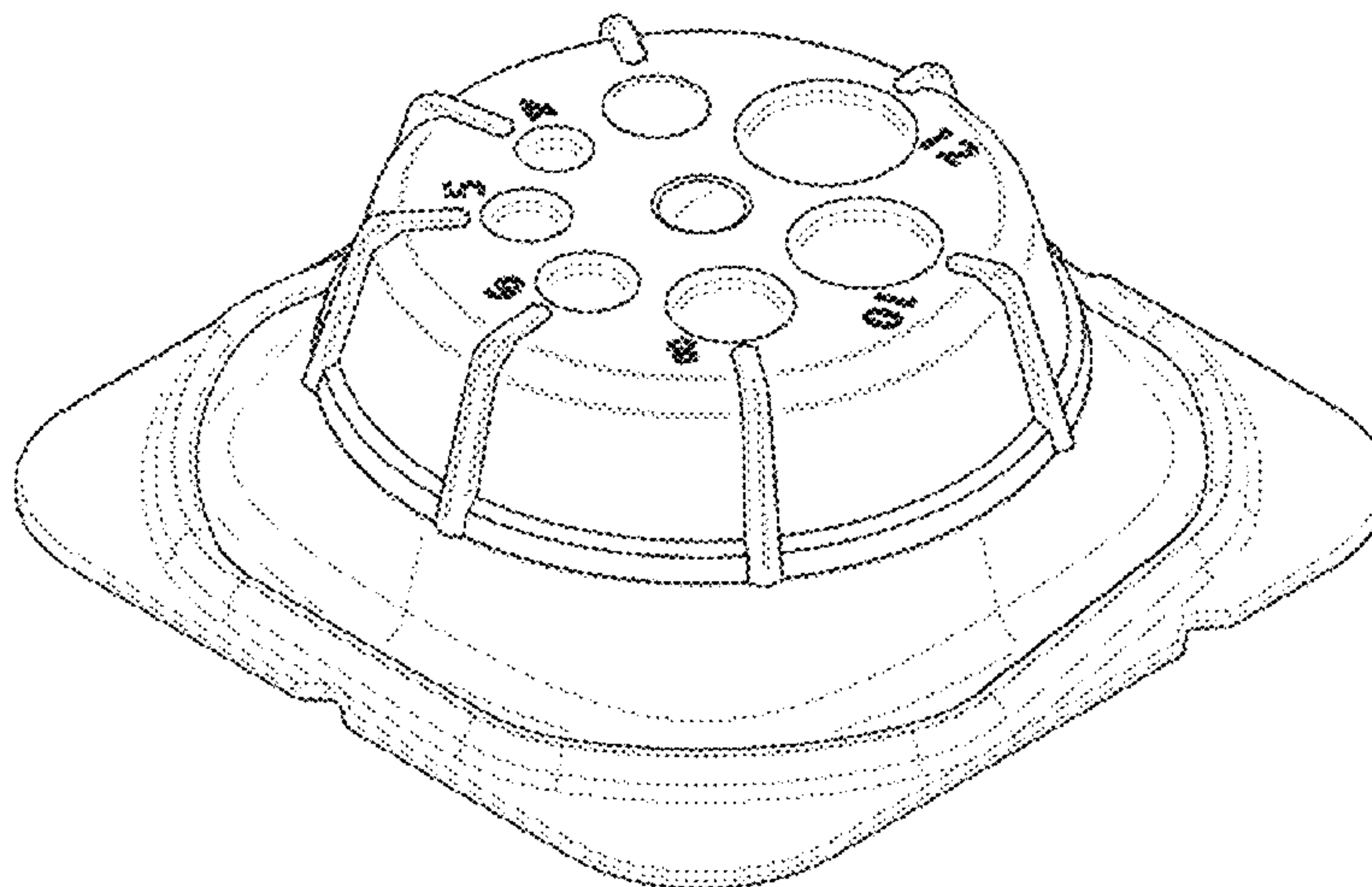
(56) **References Cited**

U.S. PATENT DOCUMENTS

- 2,932,195 A \* 4/1960 Javery ..... B23B 47/28  
269/285
- 4,005,945 A \* 2/1977 Gutman ..... B23B 47/281  
269/87.3
- 4,474,514 A \* 10/1984 Jensen ..... B23B 47/287  
408/115 B
- 4,544,307 A \* 10/1985 Miller ..... B23B 47/28  
408/115 B

(Continued)

**1 Claim, 6 Drawing Sheets**



(56)

**References Cited**

## U.S. PATENT DOCUMENTS

D291,529 S \* 8/1987 Degen ..... D8/72  
5,087,158 A \* 2/1992 Devine ..... B23B 49/026  
408/241 B  
6,116,826 A \* 9/2000 Benway ..... B23B 47/28  
144/144.1  
6,220,796 B1 \* 4/2001 Chiang ..... B23B 47/288  
408/115 R  
D533,571 S \* 12/2006 Degen ..... D15/140  
7,189,034 B1 \* 3/2007 Zeilinger ..... B23B 47/287  
408/1 R  
D546,212 S \* 7/2007 Rooney ..... D10/64  
7,448,419 B1 \* 11/2008 Sommerfeld ..... B27C 5/10  
144/136.95  
D635,001 S \* 3/2011 Adkins ..... D8/71  
D641,268 S \* 7/2011 Le Breton ..... D10/64  
D641,269 S \* 7/2011 Le Breton ..... D10/64  
D688,930 S \* 9/2013 Krohmer ..... D8/71  
D724,405 S \* 3/2015 Larson ..... D8/71  
D734,680 S \* 7/2015 Eisinger ..... D10/64  
D738,176 S \* 9/2015 Rooney ..... D10/64  
D791,625 S \* 7/2017 Jester ..... D10/74  
D804,927 S \* 12/2017 Ryan ..... D8/71  
2008/0187404 A1 \* 8/2008 Chiang ..... B23B 47/287  
408/115 R  
2008/0226406 A1 \* 9/2008 Chiang ..... B23B 47/287  
408/115 R  
2009/0311058 A1 12/2009 Fontán

\* cited by examiner

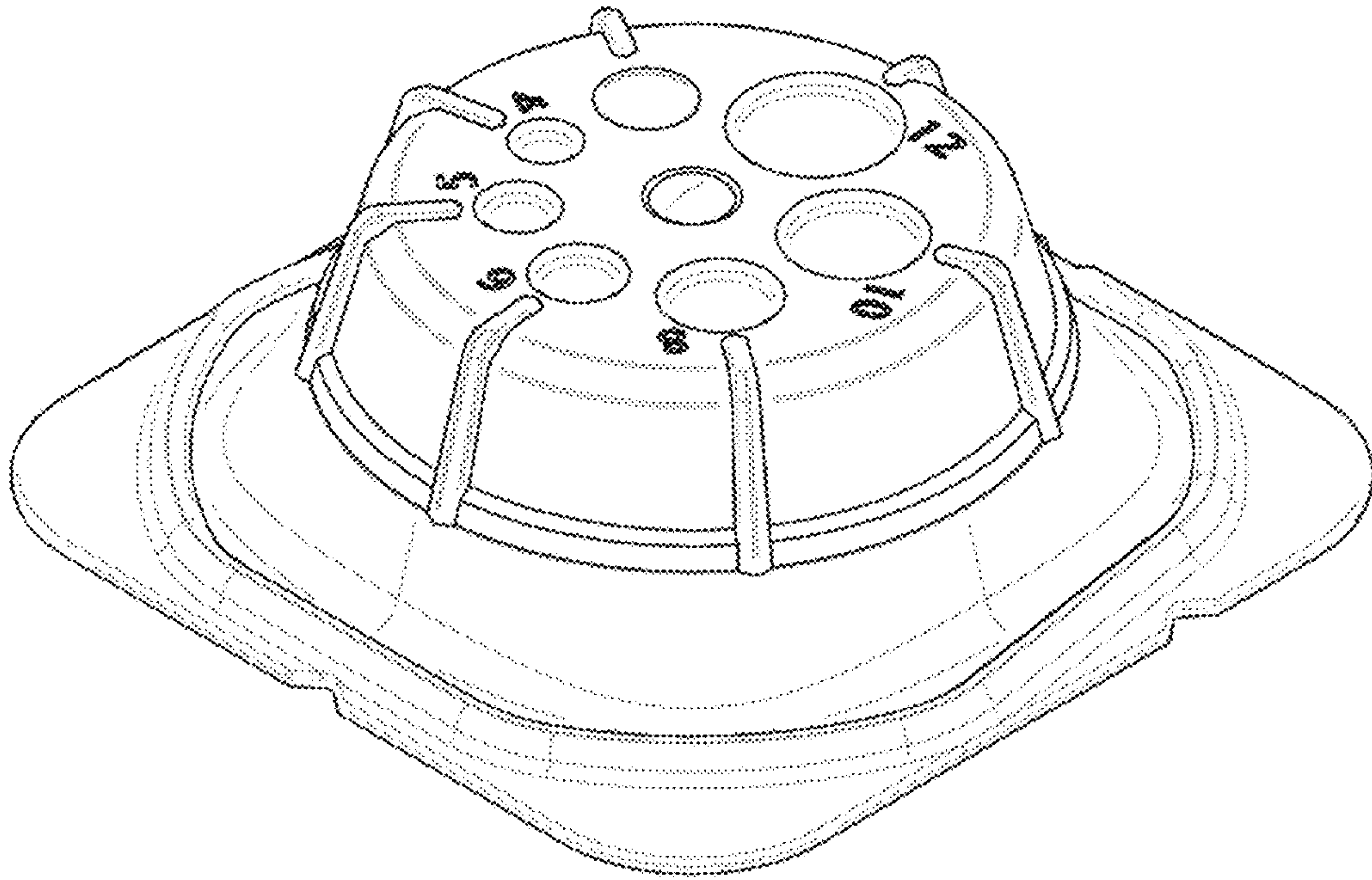


FIG. 1

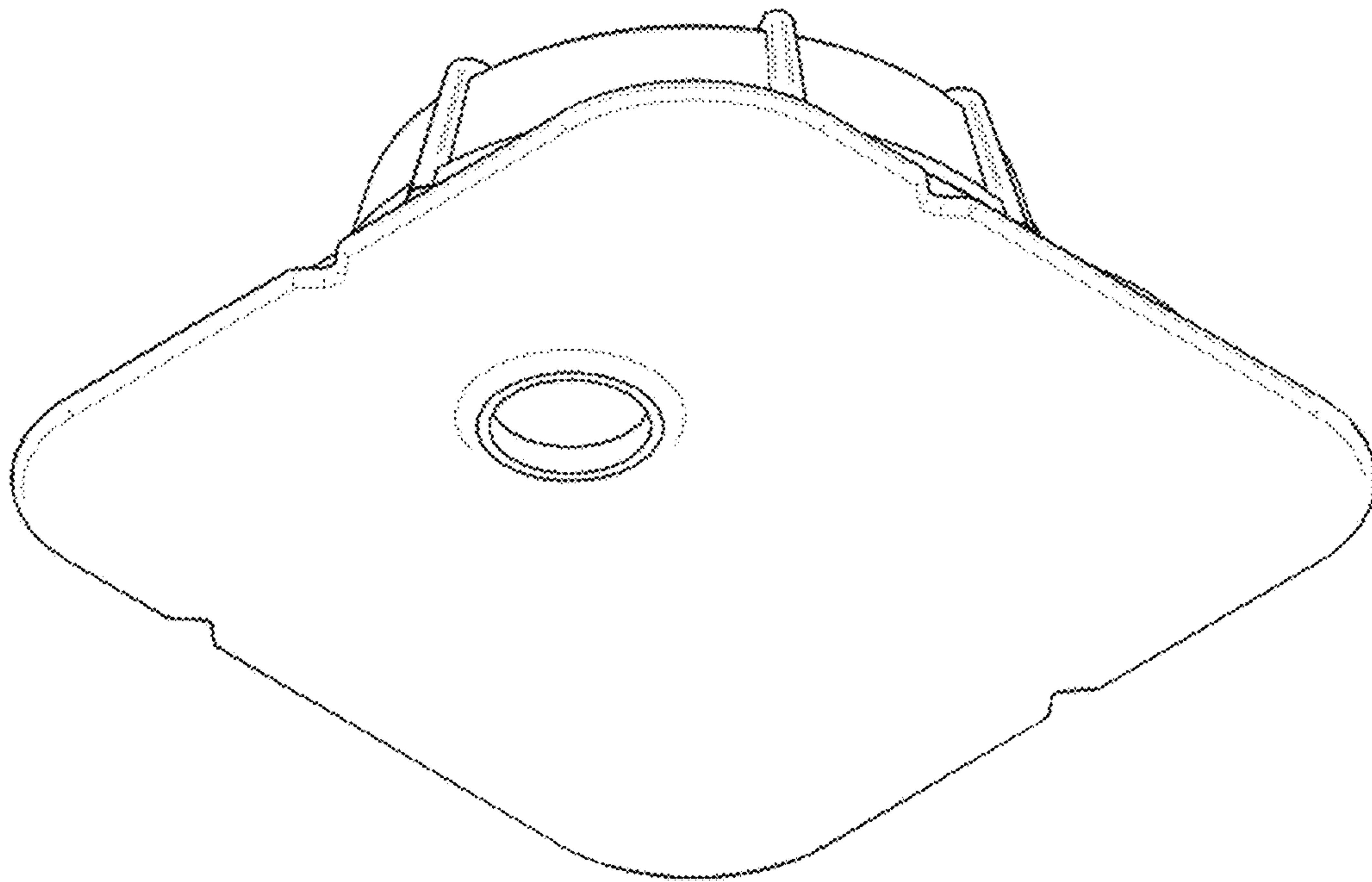


FIG. 2



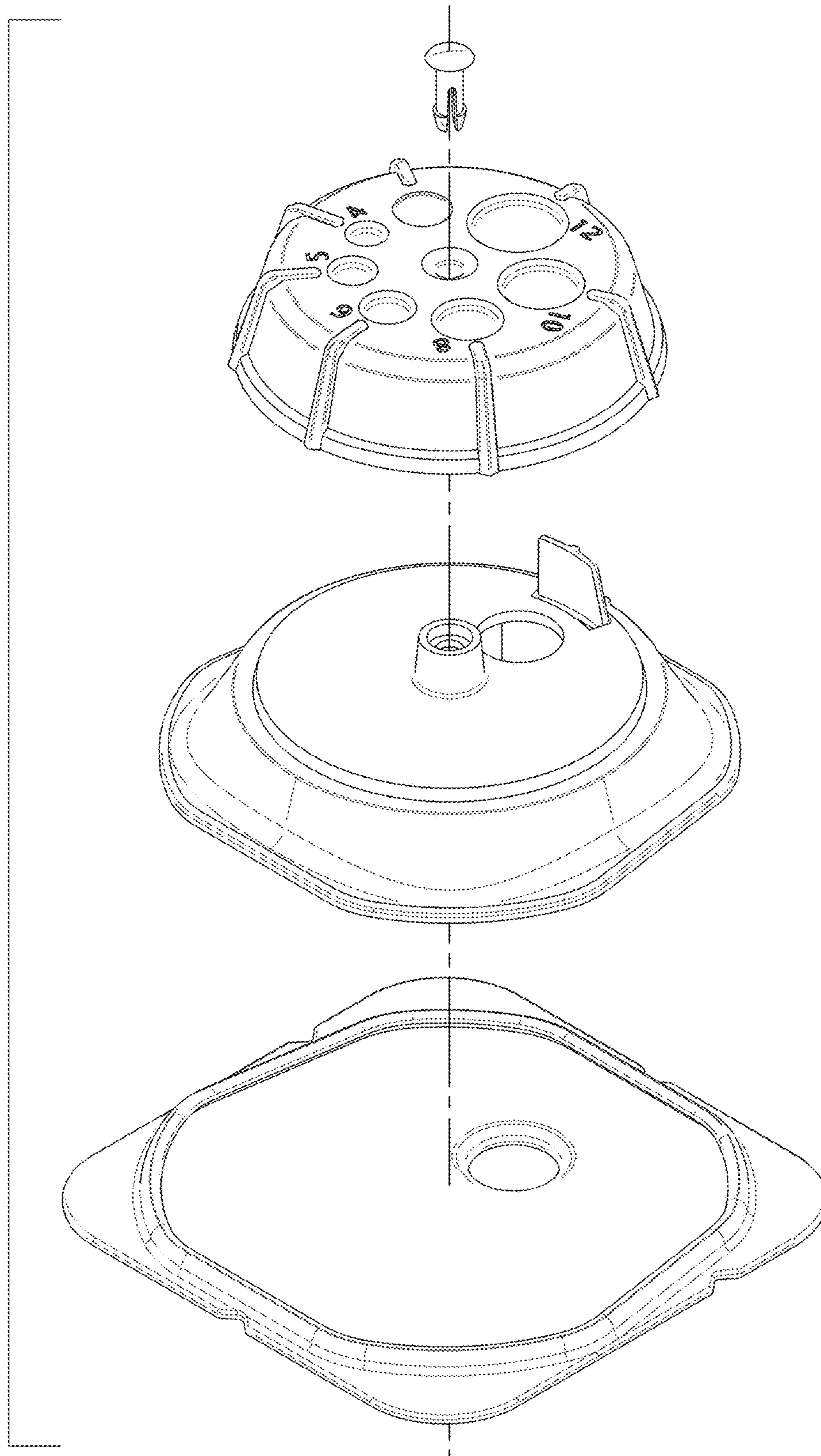


FIG. 3

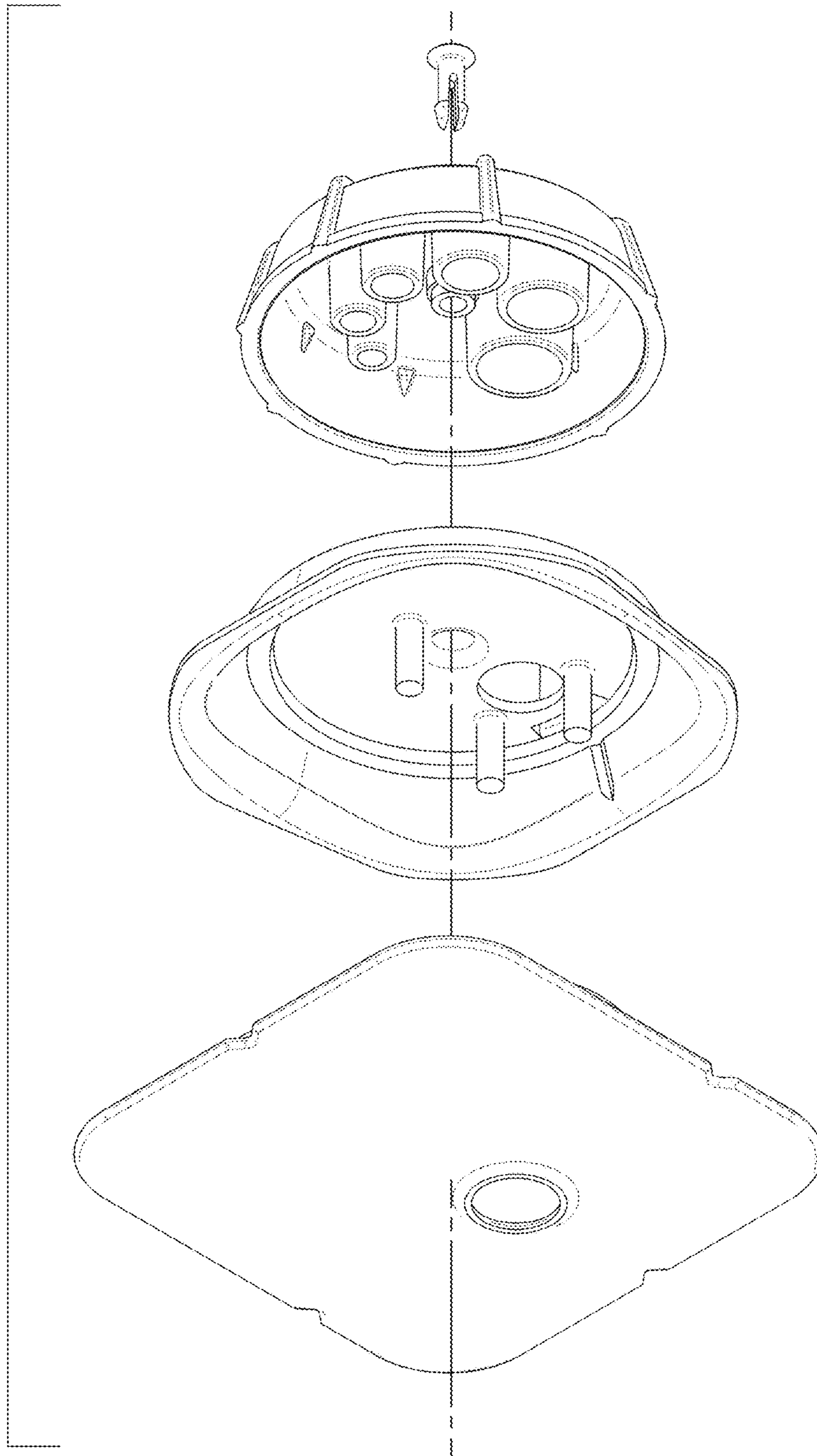


FIG. 4

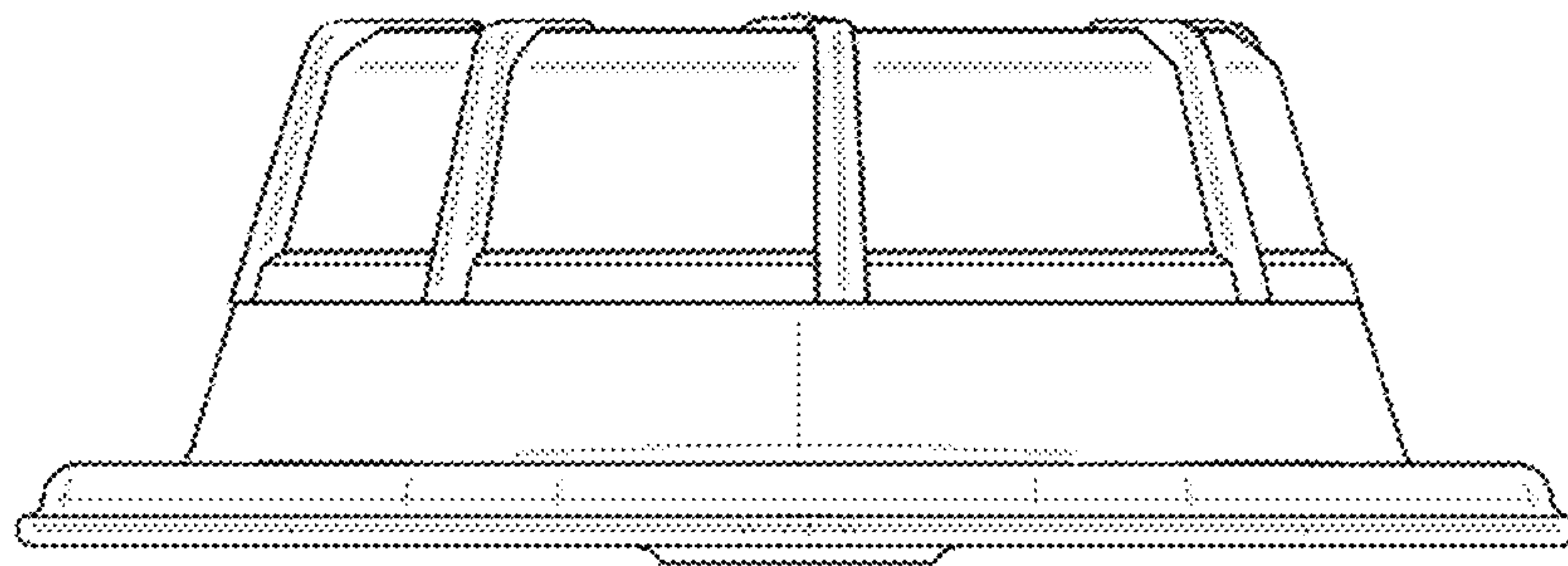


FIG. 5

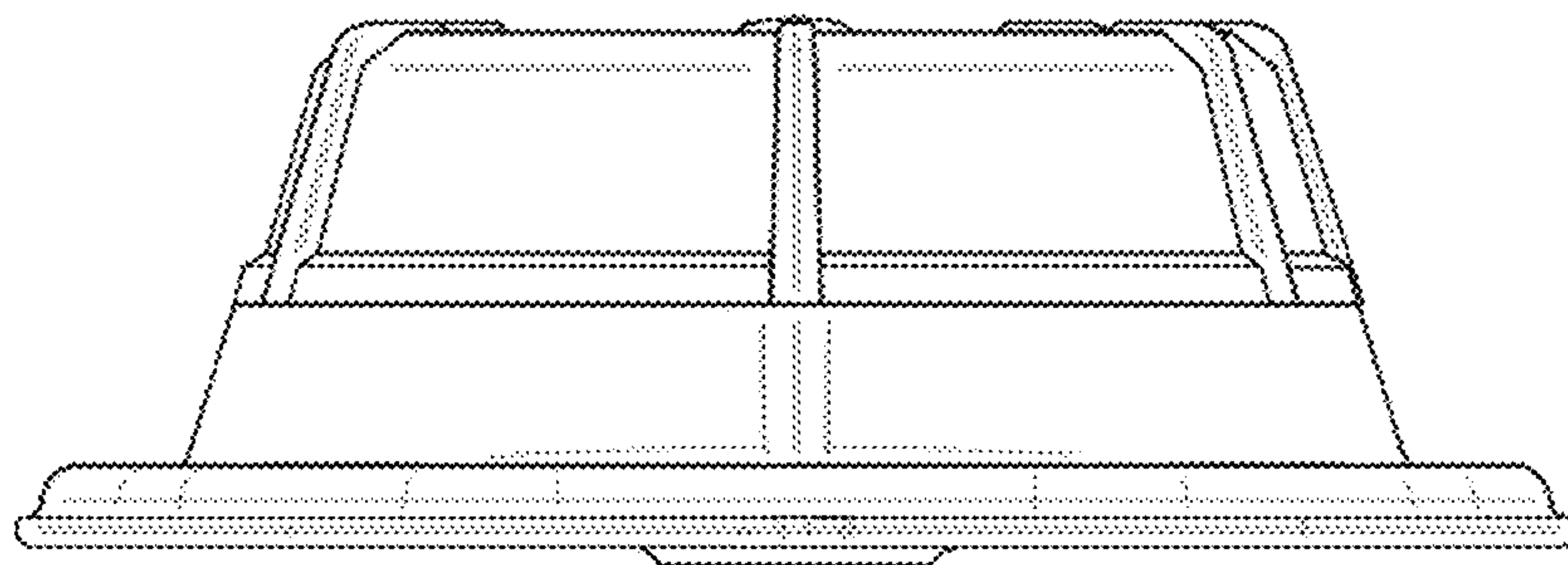


FIG. 6

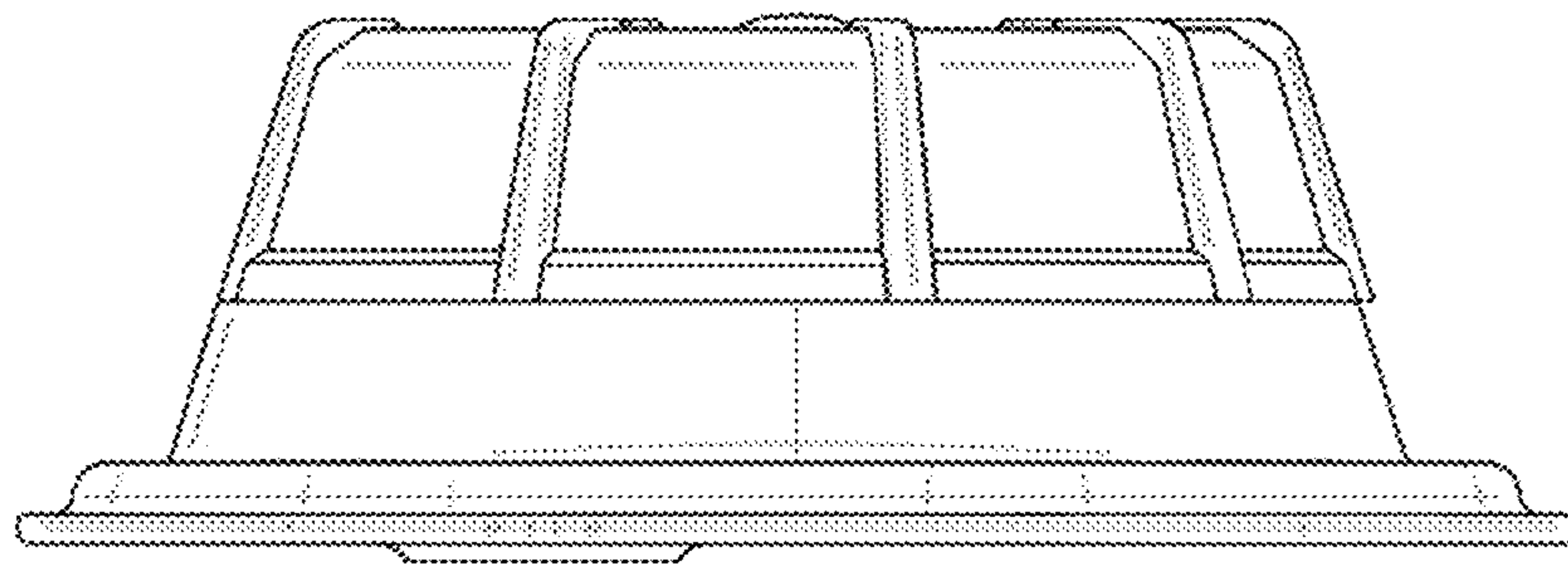


FIG. 7

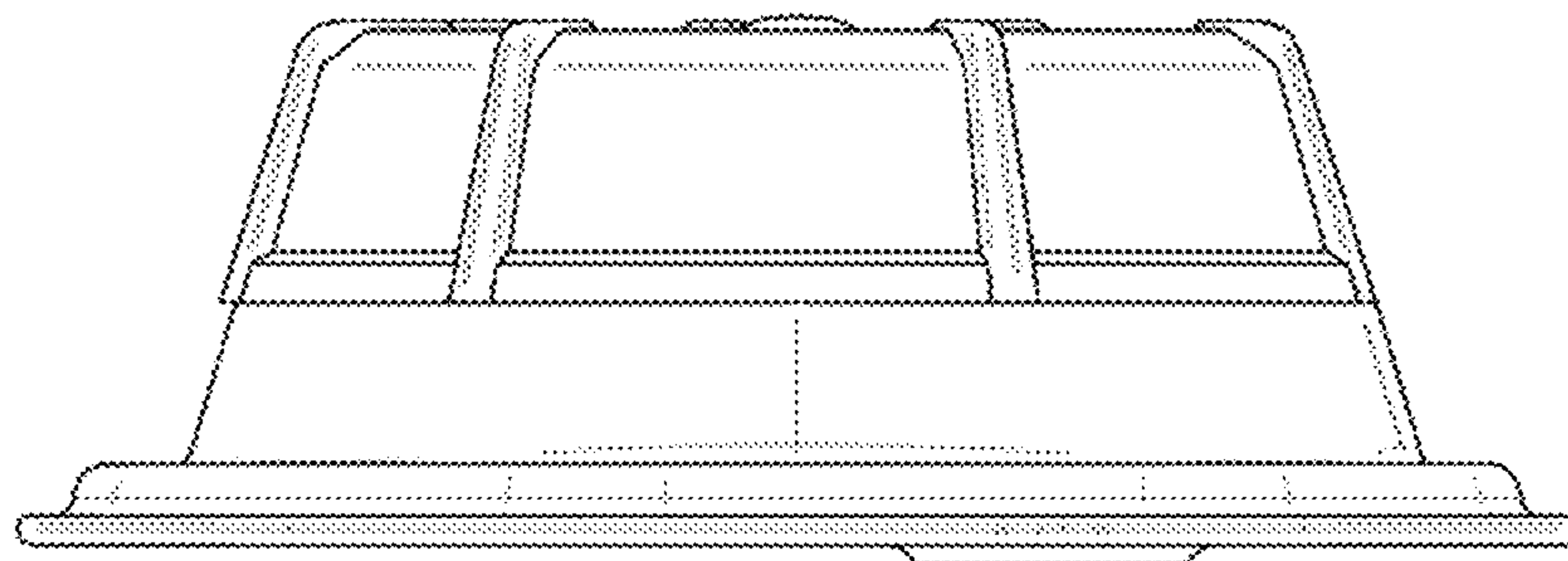


FIG. 8



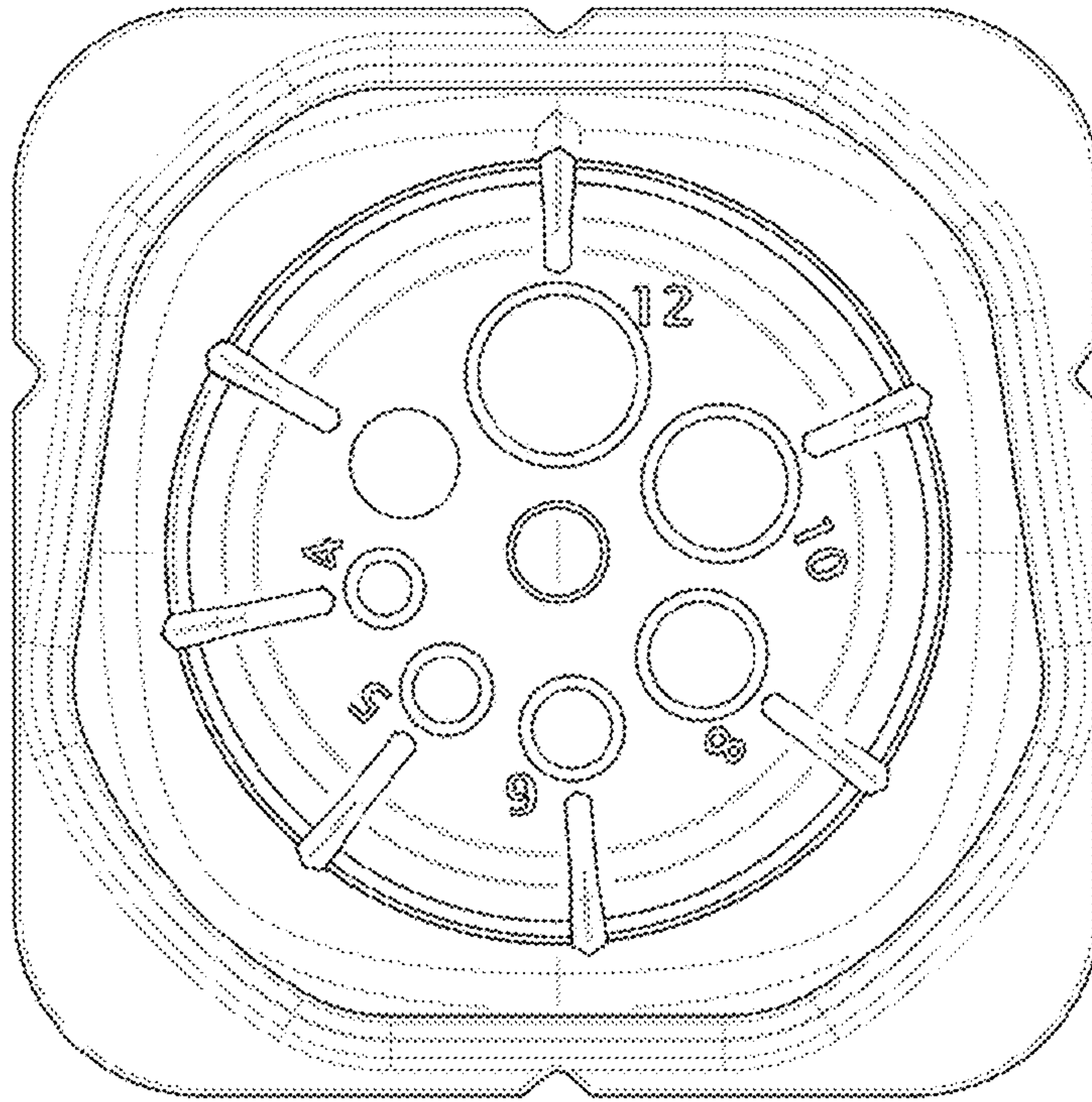


FIG. 9

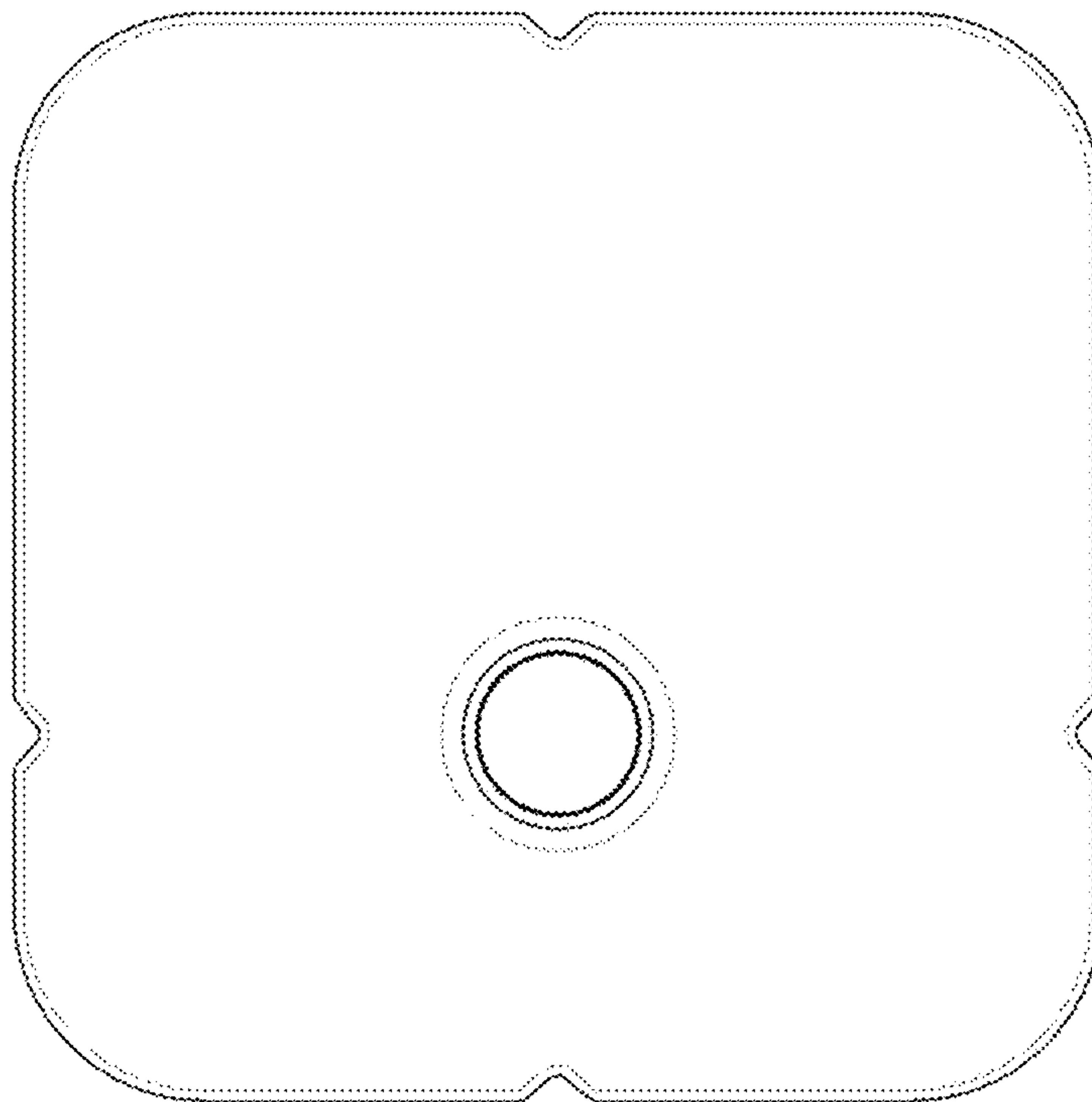


FIG. 10