



US00D814899S

(12) **United States Design Patent**  
**Suzuki et al.**

(10) **Patent No.:** **US D814,899 S**  
(45) **Date of Patent:** **\*\* Apr. 10, 2018**

(54) **PORTABLE ELECTRIC CIRCULAR SAW**

(71) Applicant: **MAKITA CORPORATION**, Anjo-shi,  
Aichi (JP)

(72) Inventors: **Wataru Suzuki**, Anjo (JP); **Sho Kume**,  
Anjo (JP); **Hiroto Inayoshi**, Anjo  
(JP)

(73) Assignee: **MAKITA CORPORATION**, Anjo-Shi  
(JP)

(\*\*) Term: **15 Years**

(21) Appl. No.: **29/598,804**

(22) Filed: **Mar. 29, 2017**

(30) **Foreign Application Priority Data**

Sep. 30, 2016 (JP) ..... 2016-021087

(51) **LOC (11) Cl.** ..... **08-03**

(52) **U.S. Cl.**  
USPC ..... **D8/66**

(58) **Field of Classification Search**  
USPC .... D8/69, 68, 67, 66, 64, 61, 70; 83/698.41,  
83/747, 166.3, 374, 373, 375, 376, 391,  
83/377, 390, 388, 389; 125/13.01;  
144/218

CPC .... B27B 9/00; B27B 9/02; B27B 5/02; B27B  
5/18; B27B 33/08; B28D 1/04; B28D  
1/045; B23D 45/00

See application file for complete search history.

(56) **References Cited**

**U.S. PATENT DOCUMENTS**

D315,854 S \* 4/1991 Kawakami ..... D8/66  
D559,645 S 1/2008 Okuda et al.  
D567,612 S \* 4/2008 Wright ..... D8/66  
D568,705 S \* 5/2008 Lopano ..... D8/66  
D579,742 S \* 11/2008 Arvidsson ..... D8/66

D596,912 S \* 7/2009 Arvidsson ..... D8/66  
D644,081 S \* 8/2011 Rettenweber ..... D8/66  
D648,998 S \* 11/2011 Sell ..... D8/66  
D663,600 S \* 7/2012 Okuda ..... D8/66  
D713,702 S \* 9/2014 Perez ..... D8/66

(Continued)

*Primary Examiner* — Austin Murphy

(74) *Attorney, Agent, or Firm* — Global IP Counselors,  
LLP

(57) **CLAIM**

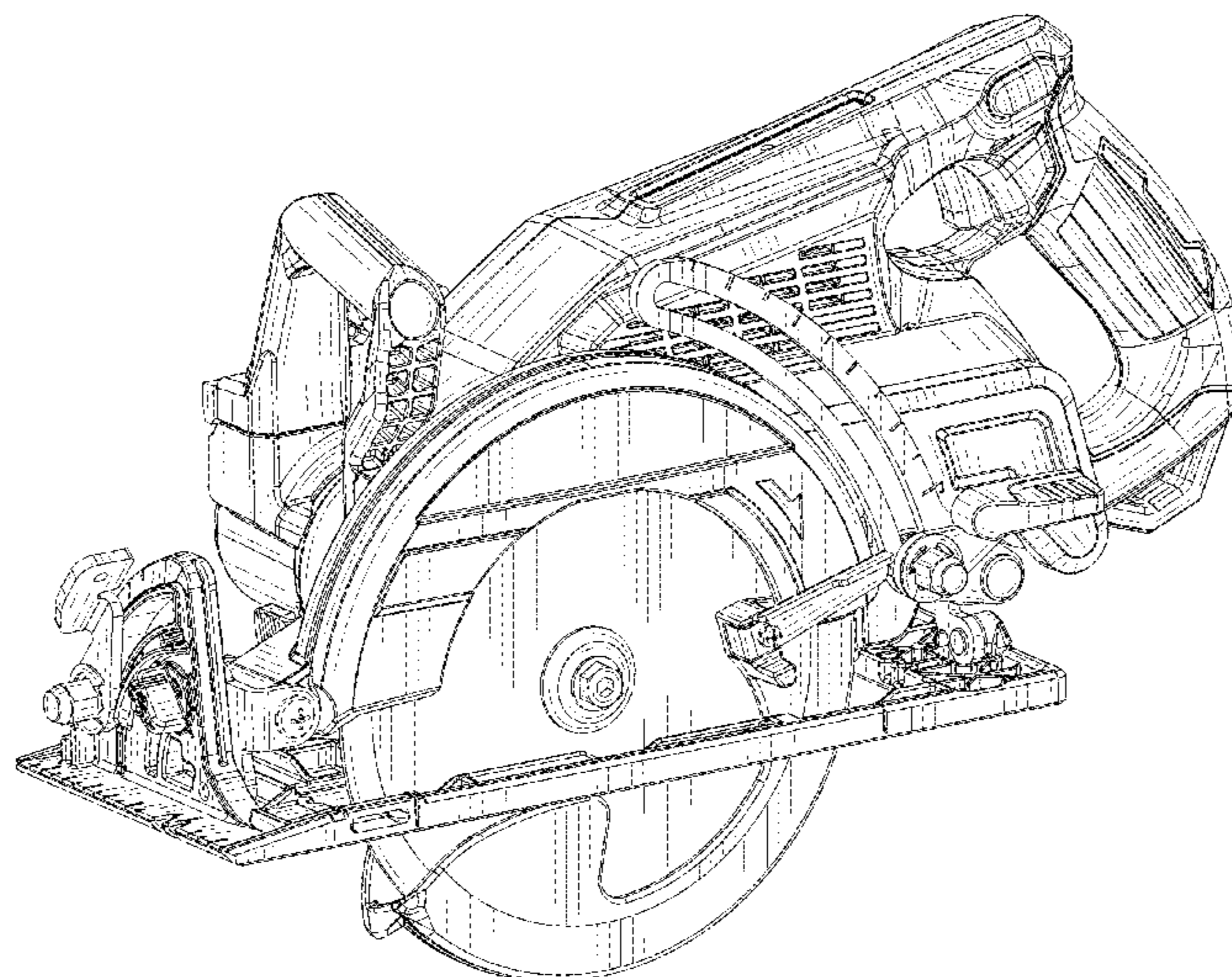
The ornamental design for a portable electric circular saw, as shown and described.

**DESCRIPTION**

FIG. 1 is a front perspective view of a portable electric circular saw in accordance with our new design; FIG. 2 is a rear perspective view of the portable electric circular saw in accordance with our new design; FIG. 3 is a front elevational view of the portable electric circular saw in accordance with our new design; FIG. 4 is a rear elevational view of the portable electric circular saw in accordance with our new design; FIG. 5 is a top plan view of the portable electric circular saw in accordance with our new design; FIG. 6 is a bottom plan view of the portable electric circular saw in accordance with our new design; FIG. 7 is a left side elevational view of the portable electric circular saw in accordance with our new design; FIG. 8 is a right side elevational view of the portable electric circular saw in accordance with our new design; and, FIG. 9 is a rear perspective view, similar to FIG. 2 of the portable electric circular saw in accordance with our new design illustrating a state in which rechargeable batteries are attached to the portable electric circular saw.

The broken line showing of environment structures in the drawings forms no part of the claimed design. The portions within the broken line form no part of the claimed design.

**1 Claim, 9 Drawing Sheets**



(56)

**References Cited**

U.S. PATENT DOCUMENTS

D731,869 S	*	6/2015	Hoggarth .....	D8/66
D743,226 S	*	11/2015	Aoki .....	D8/66
D754,509 S	*	4/2016	Lee .....	D8/66

\* cited by examiner

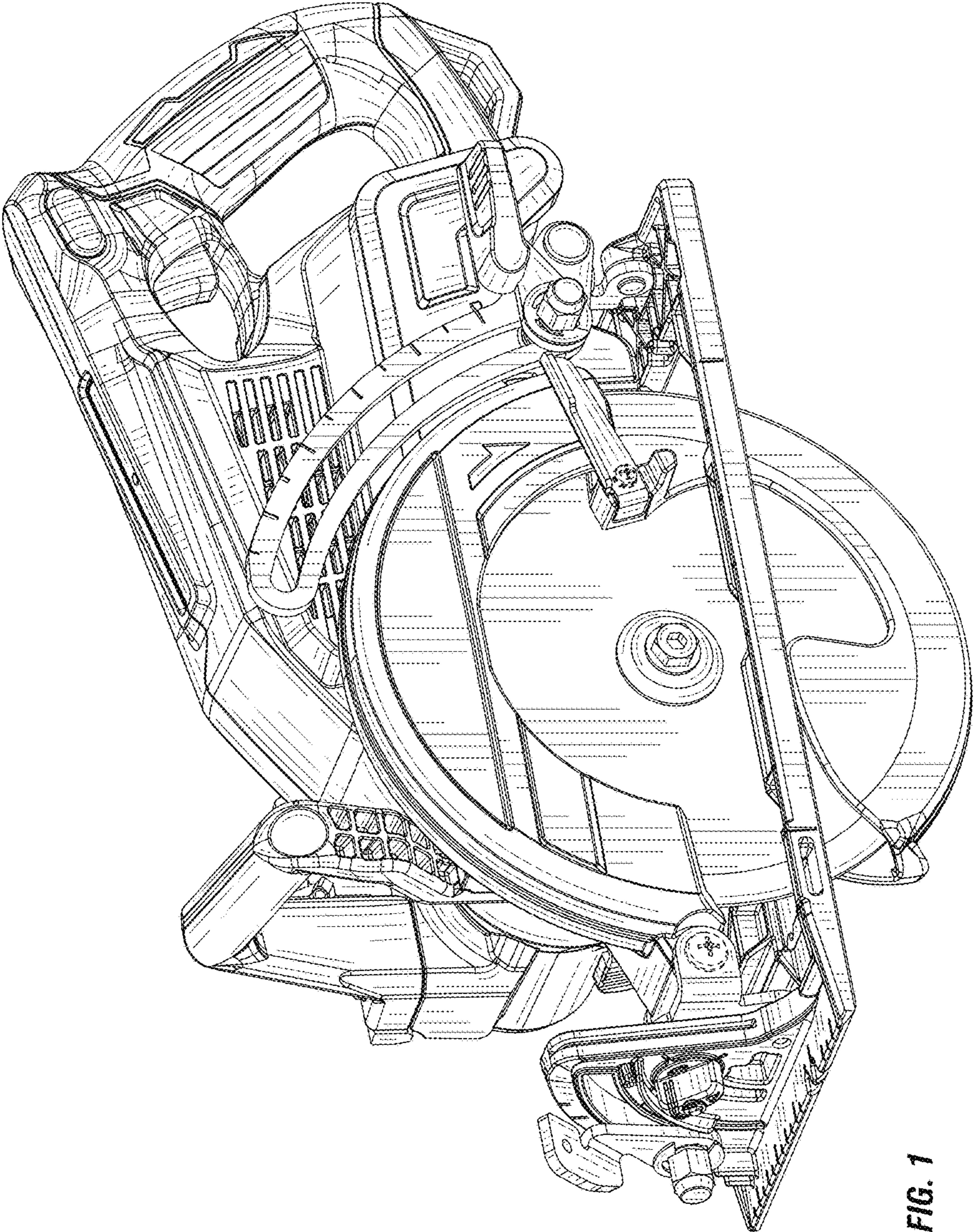


FIG. 1

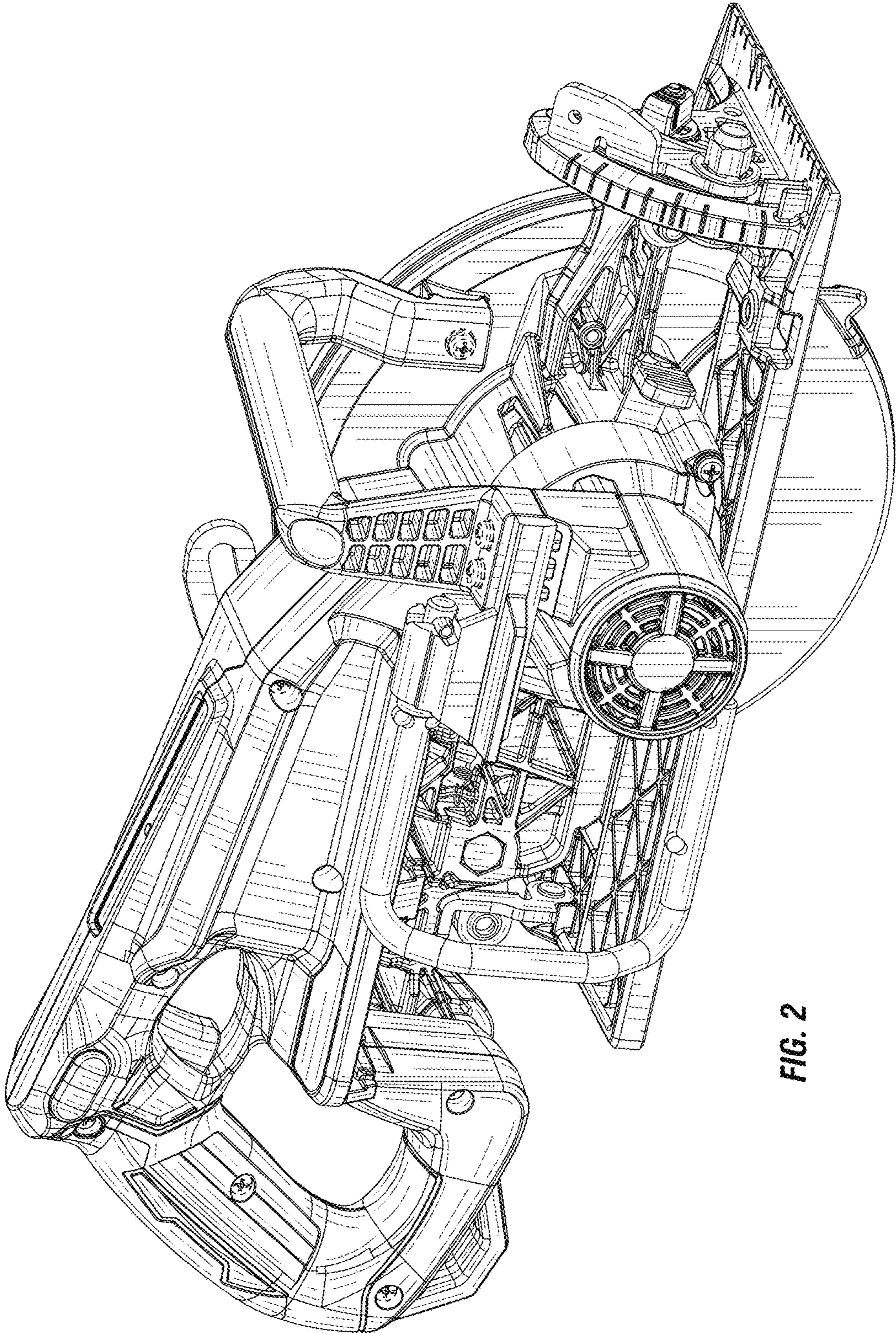


FIG. 2

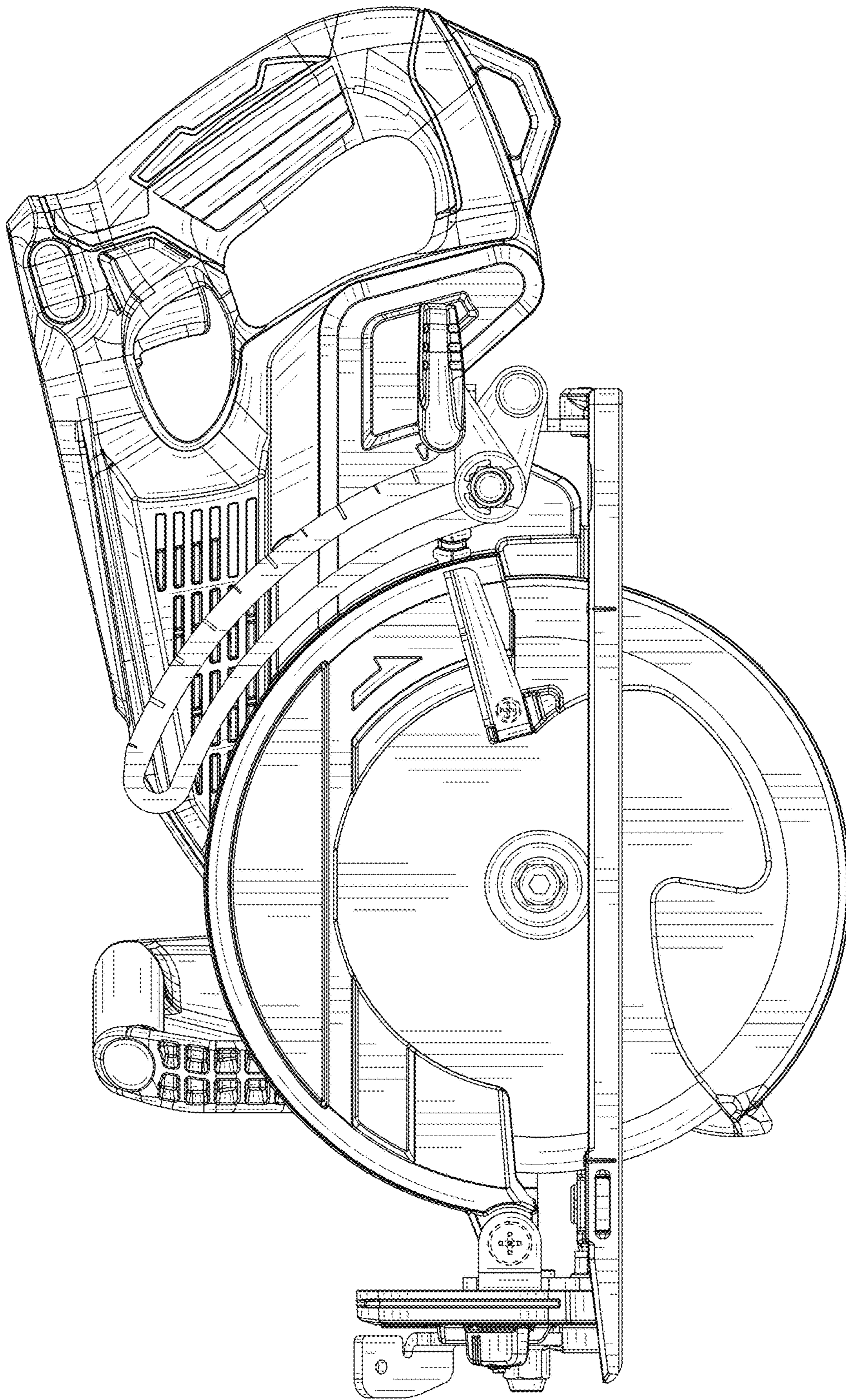


FIG. 3

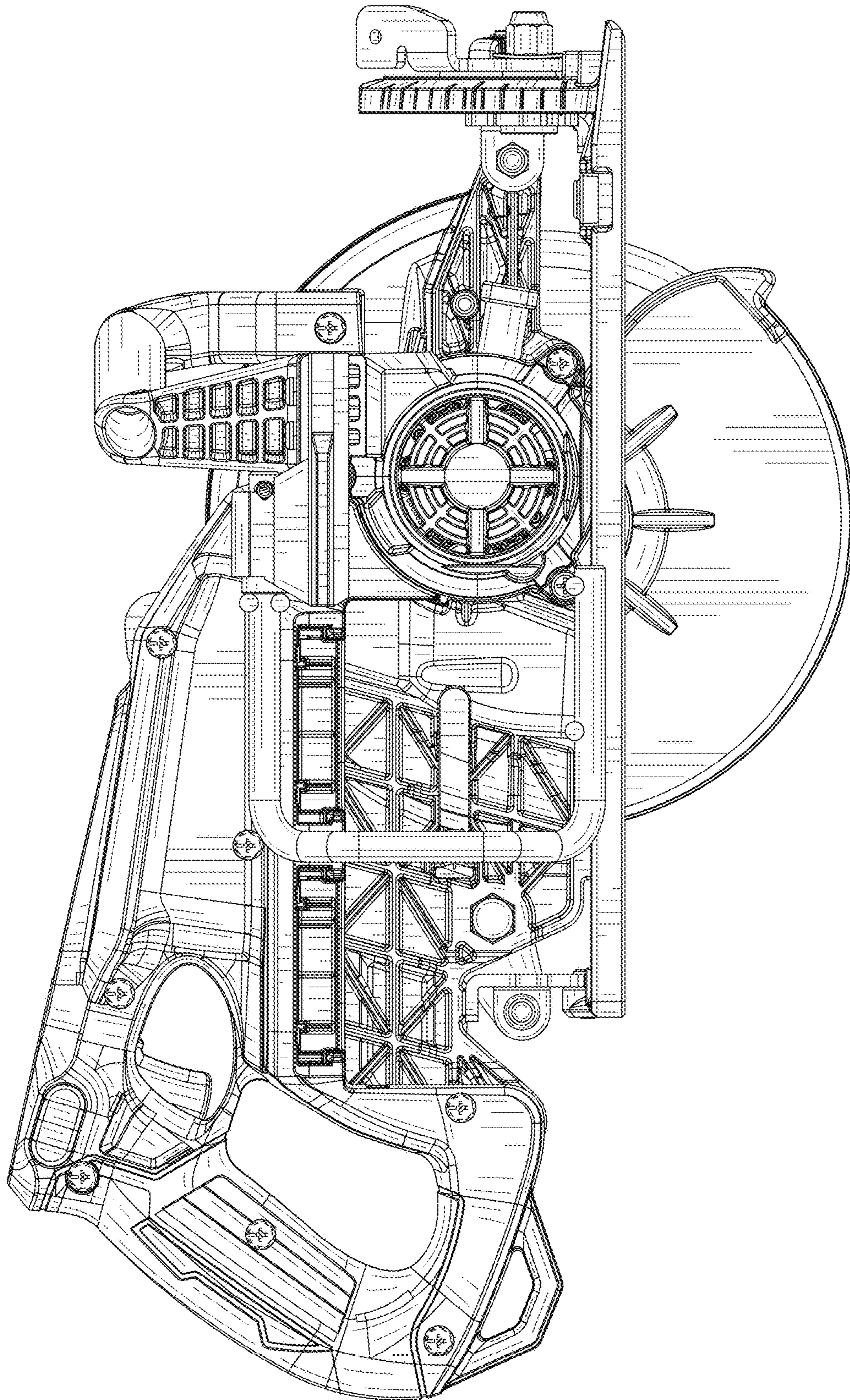


FIG. 4

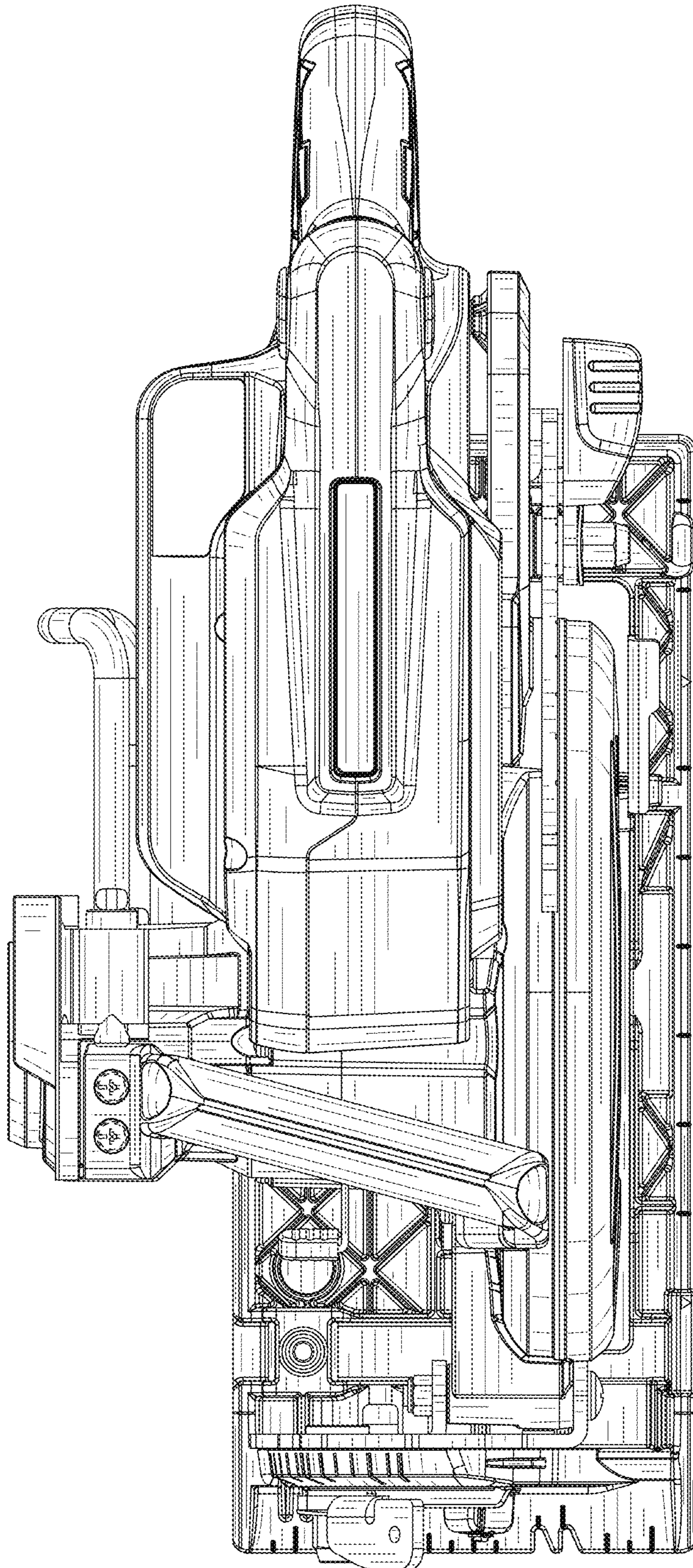


FIG. 5

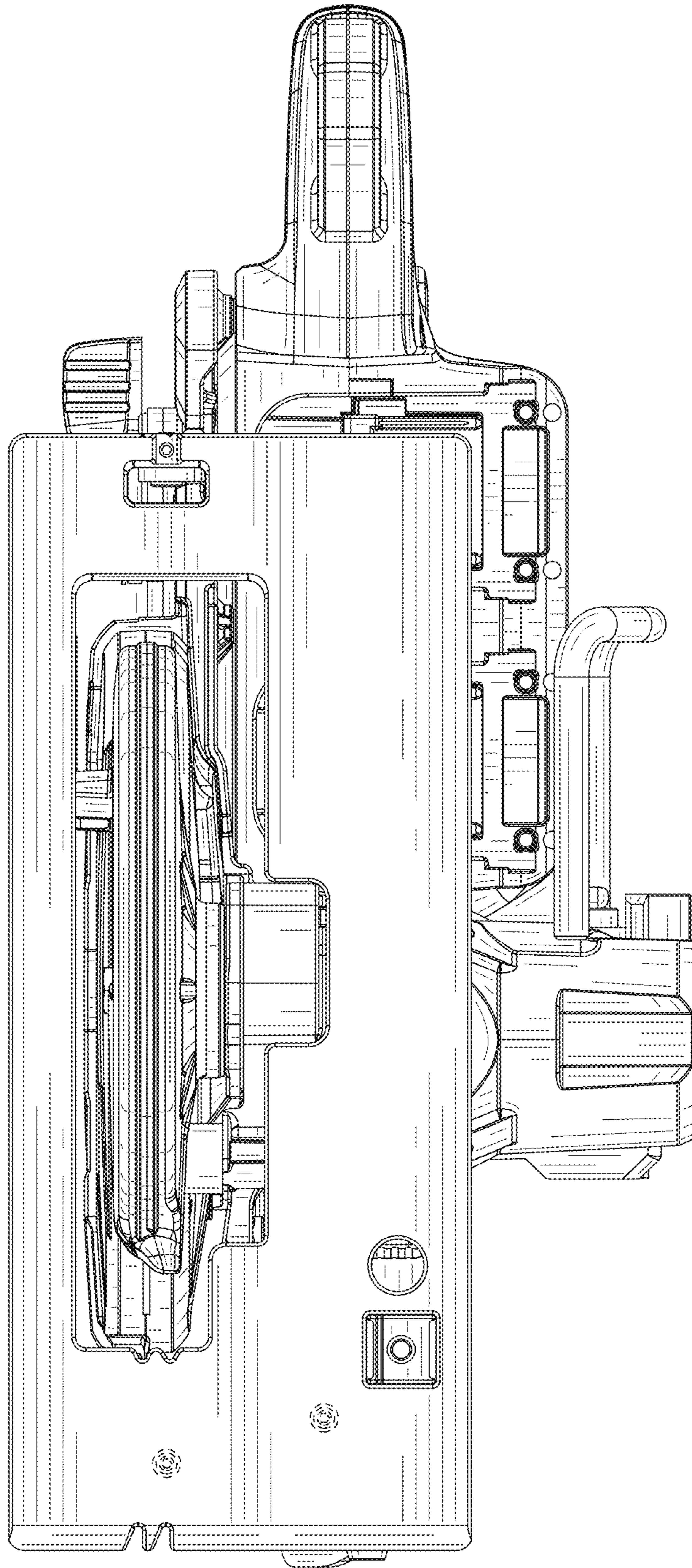


FIG. 6



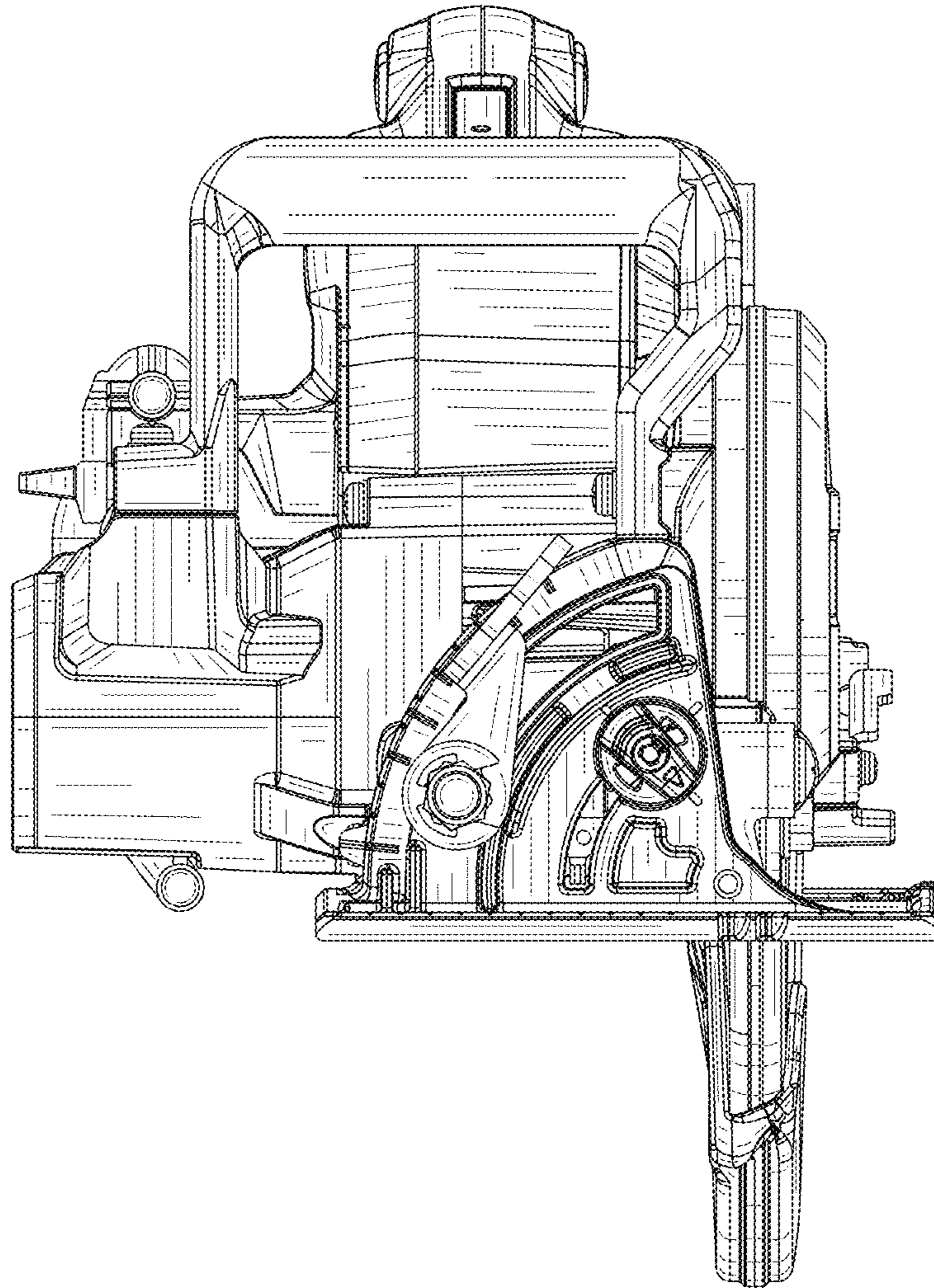
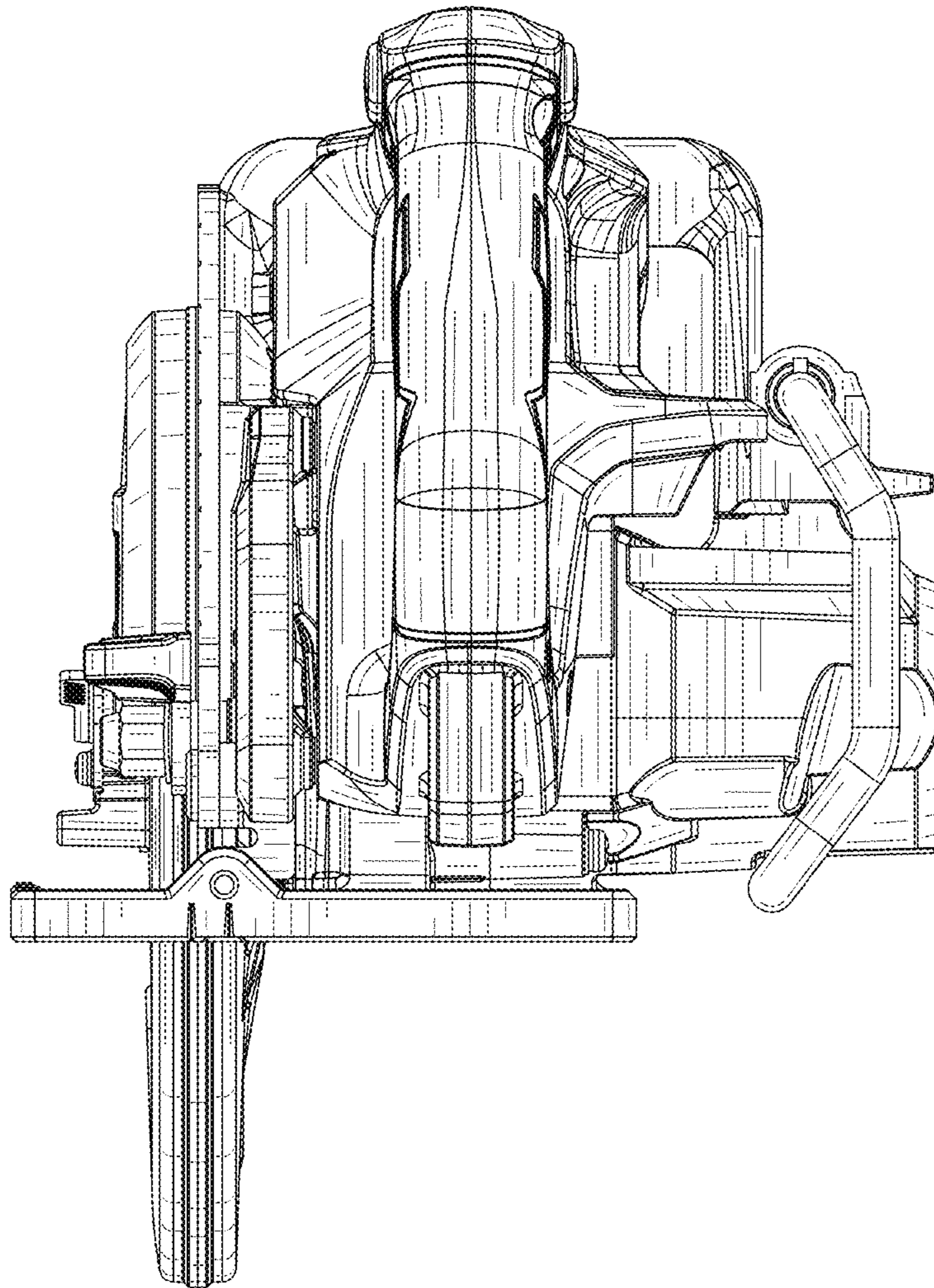


FIG. 7



**FIG. 8**

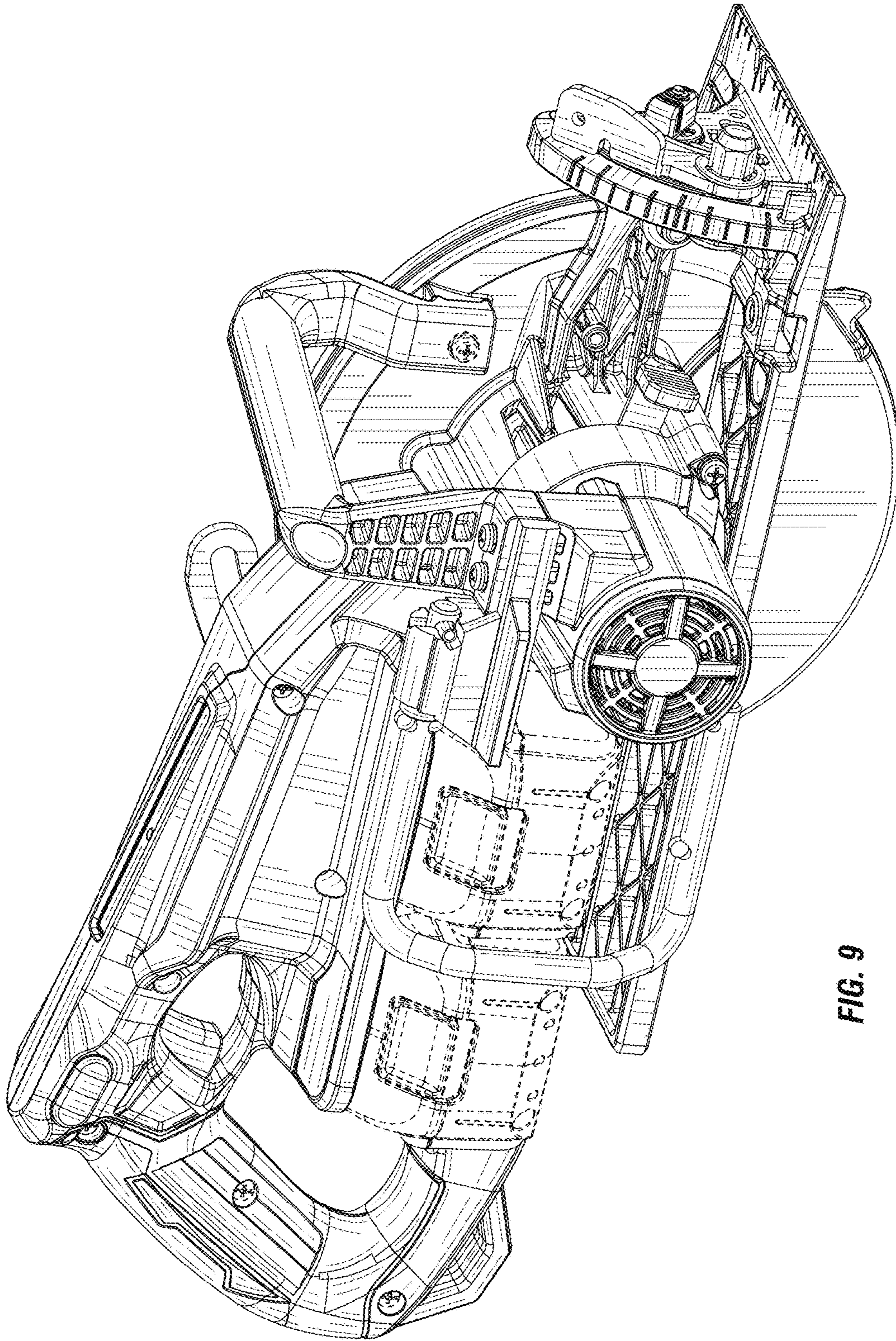


FIG. 9