



US00D814897S

(12) **United States Design Patent**
Marovic et al.

(10) **Patent No.:** **US D814,897 S**
(45) **Date of Patent:** **** Apr. 10, 2018**

(54) **STRIPPER TOOL**

(71) Applicant: **KNIPEX-Werk C. Gustav Putsch KG**,
Wuppertal (DE)

(72) Inventors: **Filip Marovic**, Wuppertal (DE); **Martin Pech**, Wuppertal (DE); **Bernd Riepe**, Wuppertal (DE); **Jan Schleiminger**, Solingen (DE)

(73) Assignee: **KNIPEX-Werk C. Gustav Putsch KG**,
Wuppertal (DE)

(**) Term: **15 Years**

(21) Appl. No.: **29/573,164**

(22) Filed: **Aug. 3, 2016**

(30) **Foreign Application Priority Data**

Feb. 4, 2016 (EM) 001445373-0002
Feb. 4, 2016 (EM) 001445373-0003

(51) **LOC (11) Cl.** **08-05**

(52) **U.S. Cl.**
USPC **D8/51**

(58) **Field of Classification Search**
USPC D8/4, 5, 14, 51-58, 98
CPC H02G 1/12; H02G 1/1202; H02G 1/1204;
H02G 1/1207; H02G 1/1209; H02G
1/1212; H02G 1/1214; H02G 1/1217;
H02G 1/1219; H02G 1/1221; H02G
1/1229
See application file for complete search history.

(56) **References Cited**

U.S. PATENT DOCUMENTS

2,120,398 A * 6/1938 Edwards H02G 1/1229
30/90.6
D481,607 S * 11/2003 Ahlgren D8/51
6,725,533 B1 * 4/2004 Losinger H01R 43/28
29/270

D491,779 S * 6/2004 Guiette, III D8/51
7,003,883 B2 * 2/2006 Tapper H02G 1/1224
30/109

D630,080 S * 1/2011 Seeds D8/105
(Continued)

Primary Examiner — Deanna L Pratt
(74) *Attorney, Agent, or Firm* — Collard & Roe, P.C.

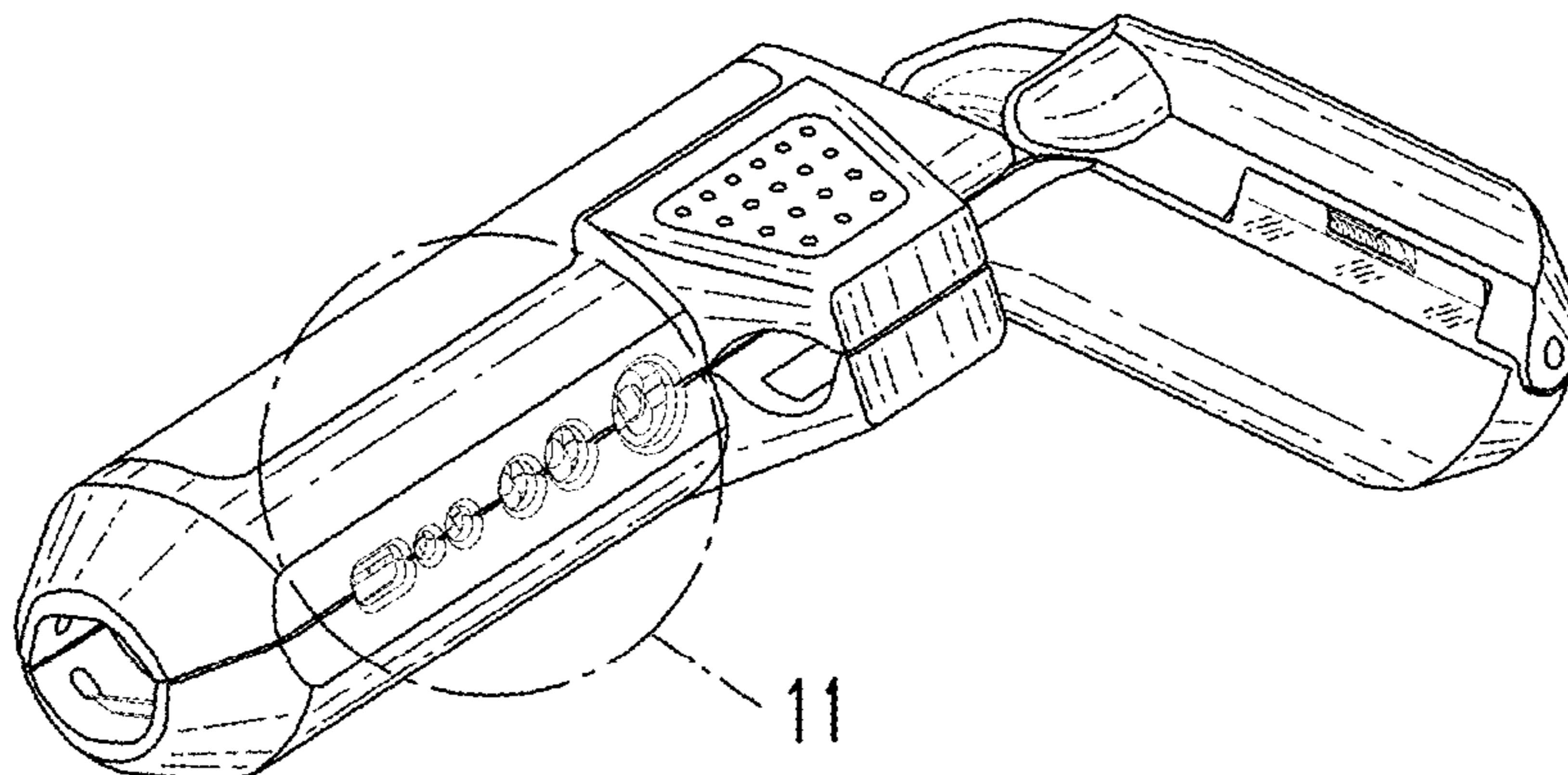
(57) **CLAIM**

The ornamental design for a stripper tool, as shown and described.

DESCRIPTION

FIG. 1 is a side view of a stripper tool, showing our new design;
FIG. 2 is an enlarged view of section 2 of FIG. 1;
FIG. 3 is a front end view of the stripper tool of FIG. 1;
FIG. 4 is a side view thereof, opposite the side view shown in FIG. 1;
FIG. 5 is a cross-sectional view thereof, along lines 5-5 of FIG. 4;
FIG. 6 is a partial cross-sectional view thereof, along line 6 of FIG. 4;
FIG. 7 is a rear view thereof;
FIG. 8 is a top view thereof;
FIG. 9 is a bottom view thereof;
FIG. 10 is a side and bottom perspective view thereof;
FIG. 11 is an enlarged view of section 11 of FIG. 10;
FIG. 12 is a side view of an alternative embodiment of a stripper tool, showing our new design;
FIG. 13 is a front view thereof;
FIG. 14 is a side view thereof, opposite the side view shown in FIG. 12;
FIG. 15 is a rear view thereof;
FIG. 16 is a top view thereof;
FIG. 17 is a bottom view thereof; and,
FIG. 18 is a side and bottom perspective view thereof.
The features shown in broken lines show environmental structure only and form no part of the claimed design.

1 Claim, 7 Drawing Sheets



(56)

References Cited

U.S. PATENT DOCUMENTS

D641,600 S * 7/2011 Fukuda D8/29.1
8,676,018 B2 * 3/2014 Barnes G02B 6/245
30/90.1
D719,006 S * 12/2014 Steiner D8/105
9,075,196 B2 * 7/2015 Homma G02B 6/245
D745,905 S * 12/2015 Jin D15/144
D771,460 S * 11/2016 Steiner D8/55
D796,926 S * 9/2017 Zhao D8/51

* cited by examiner

Fig. 1

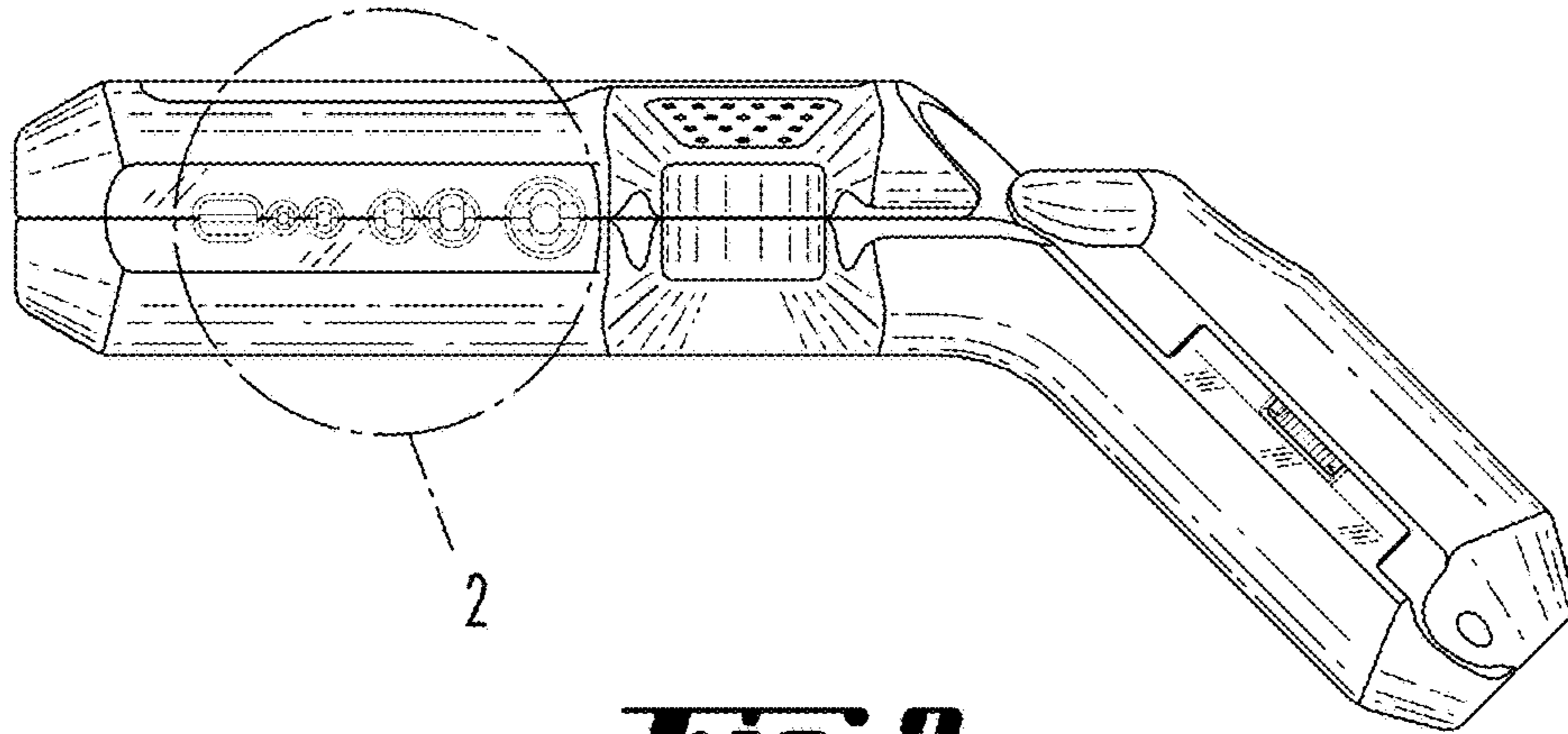


Fig. 2

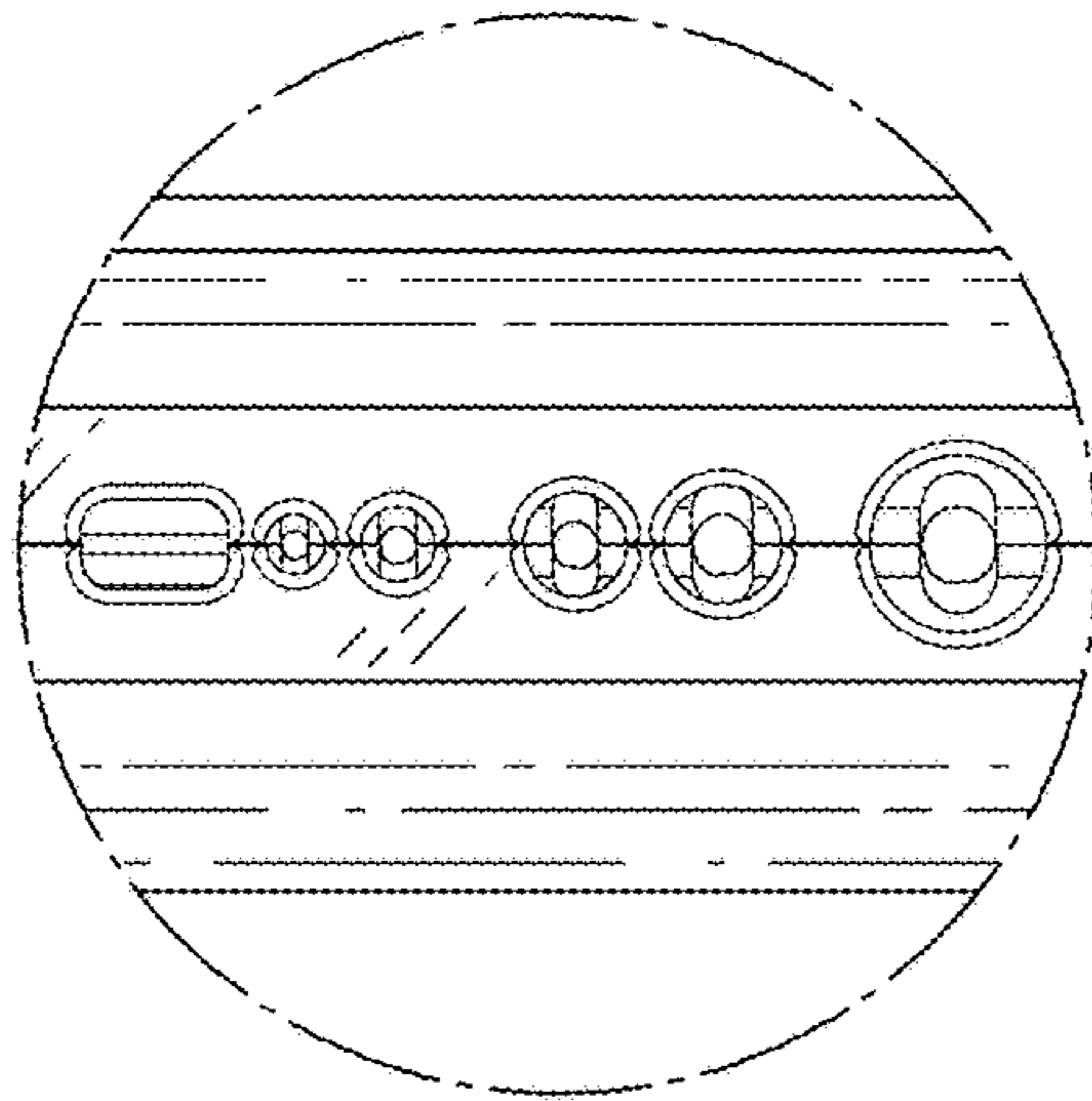


Fig. 3

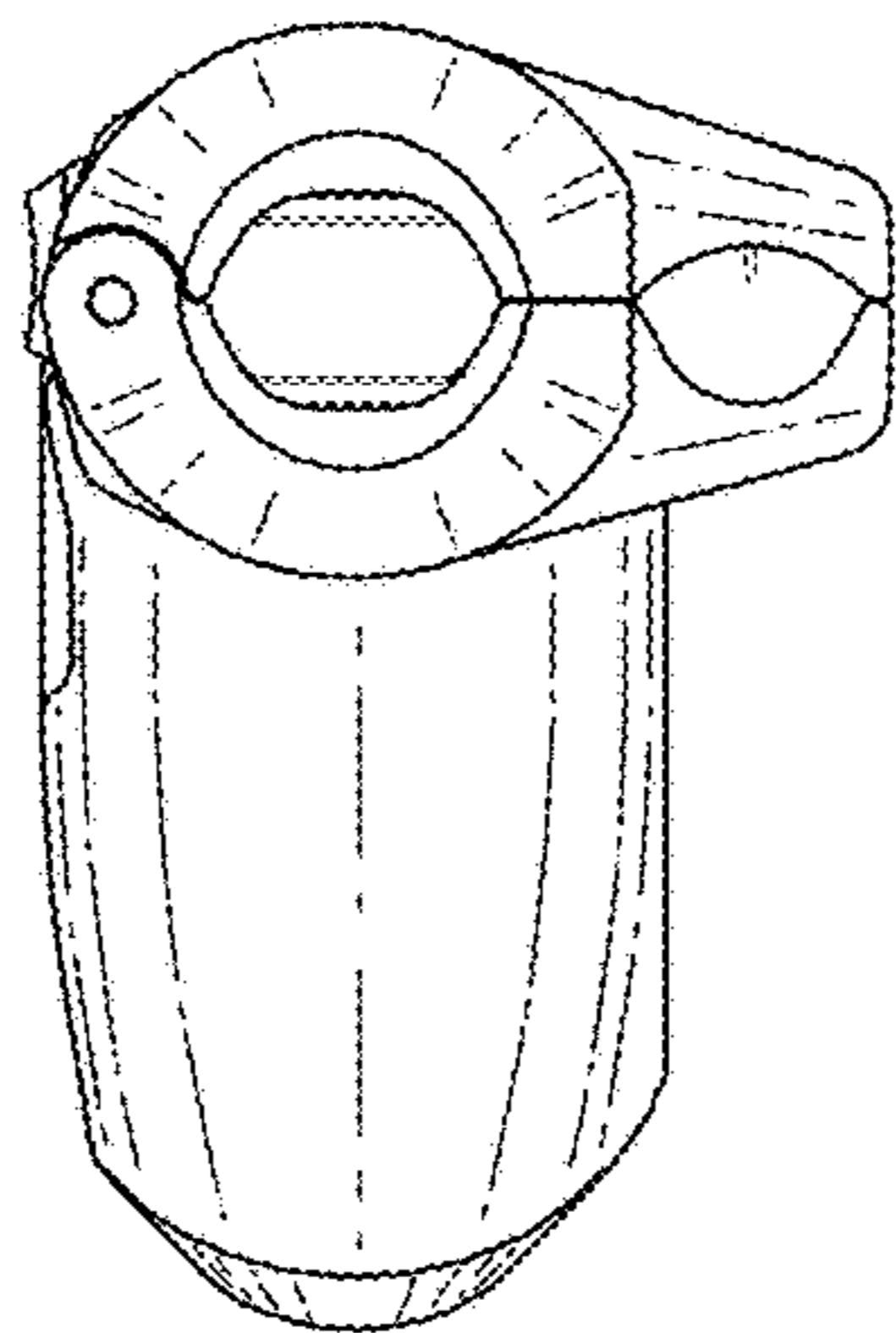


Fig. 4

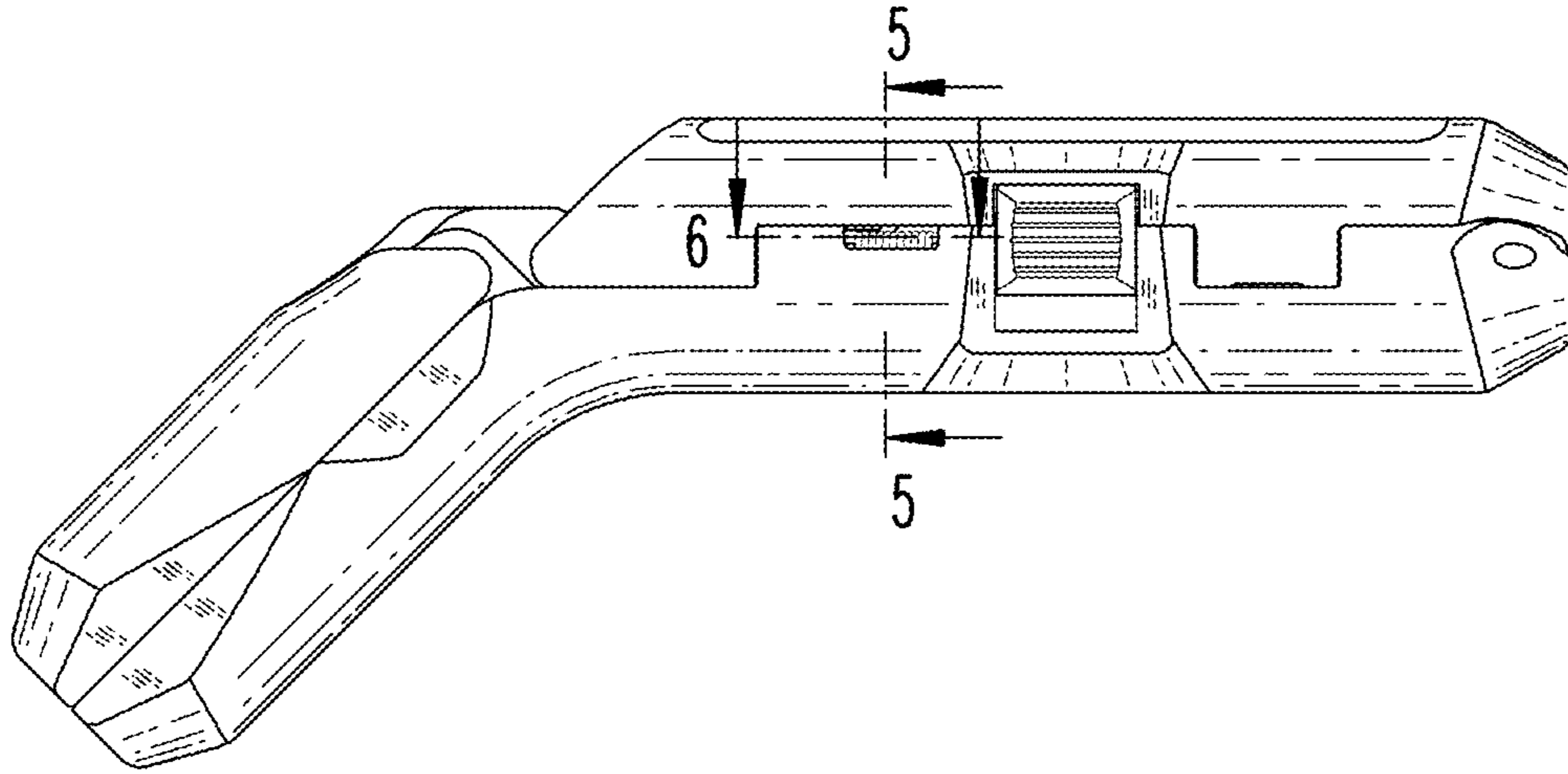


Fig. 5

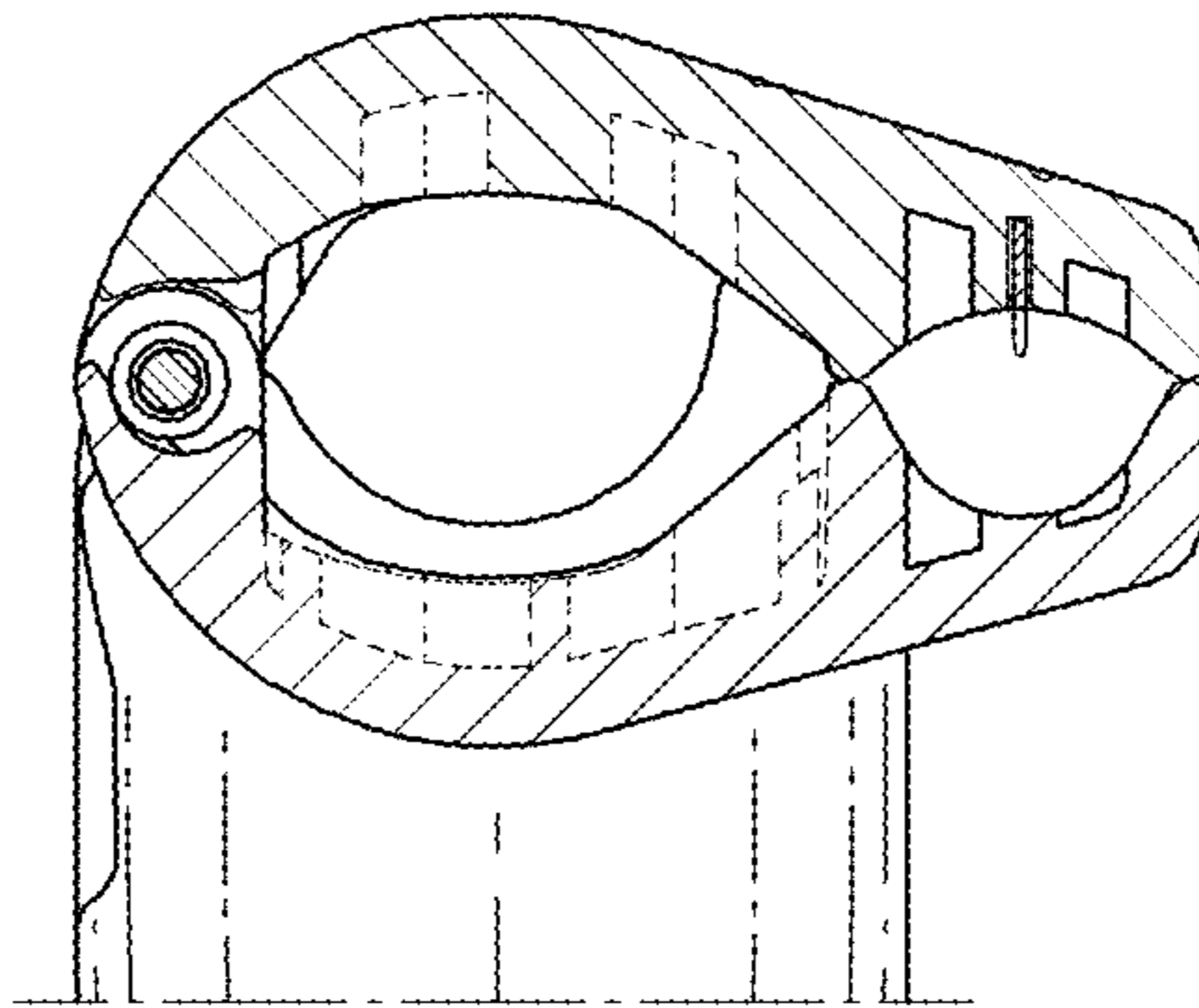


Fig. 6

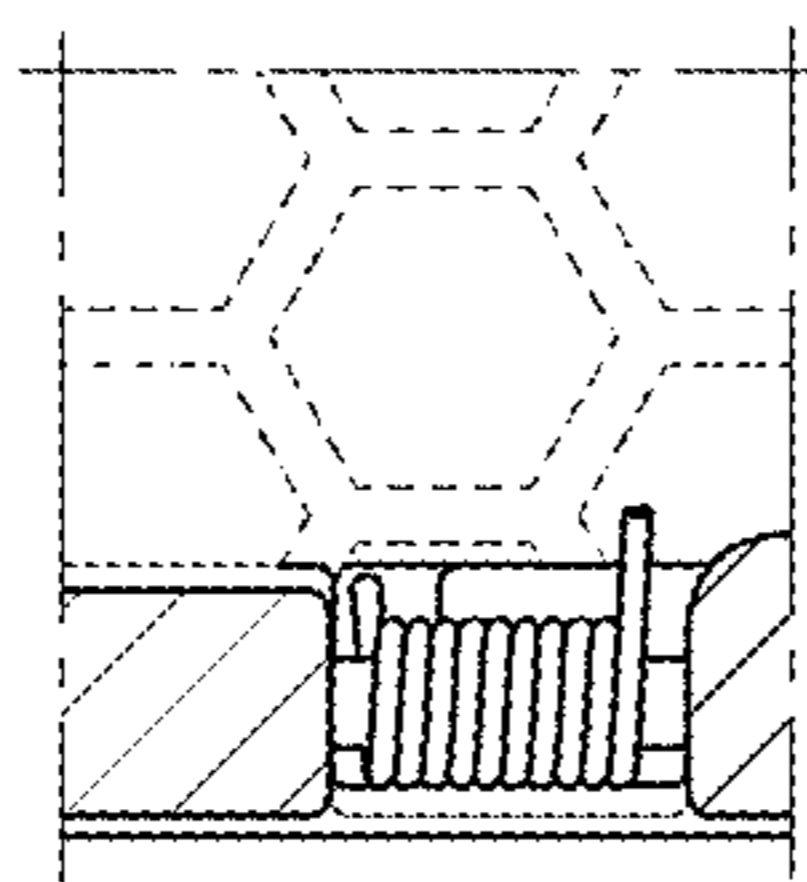


Fig. 7

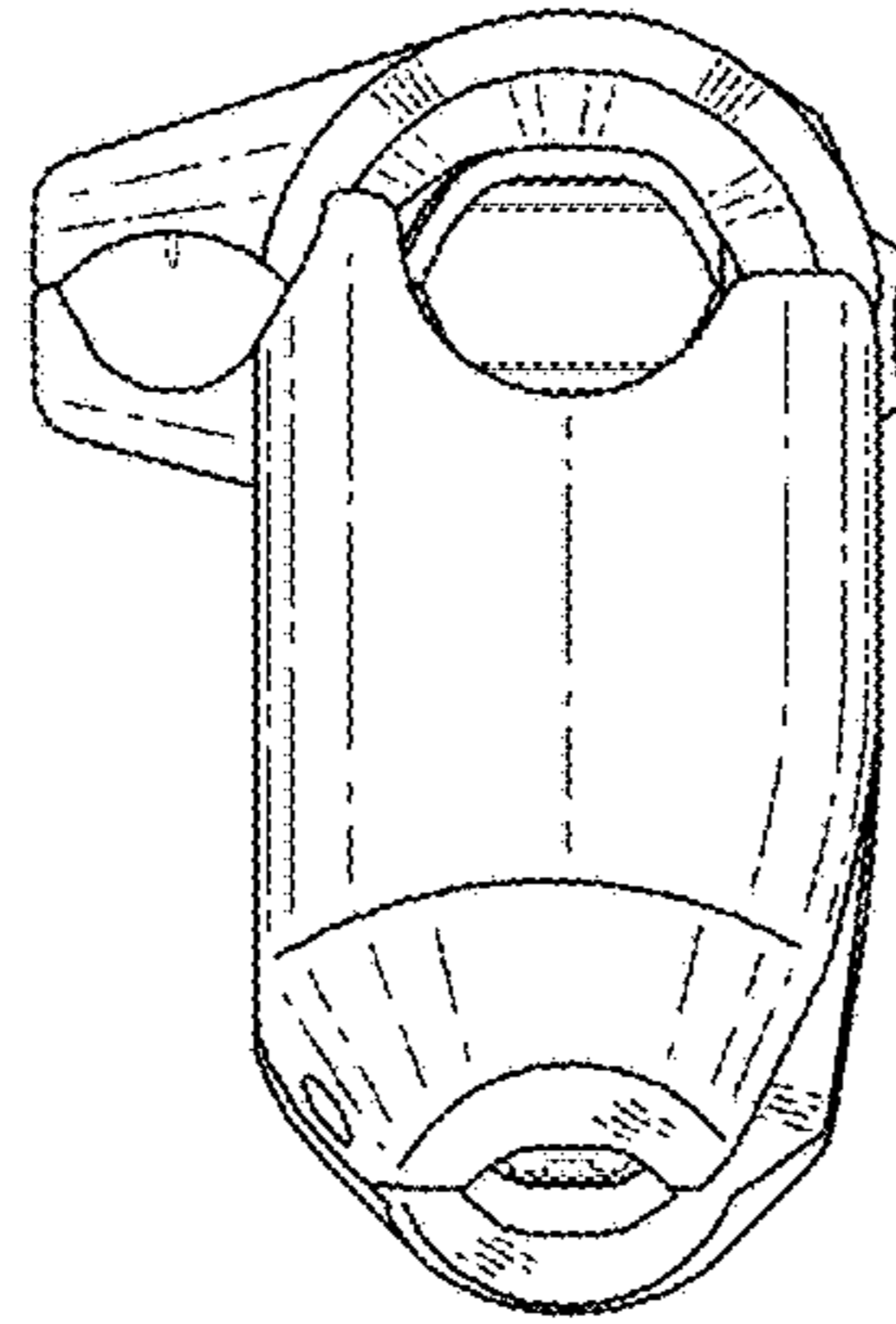


Fig. 8

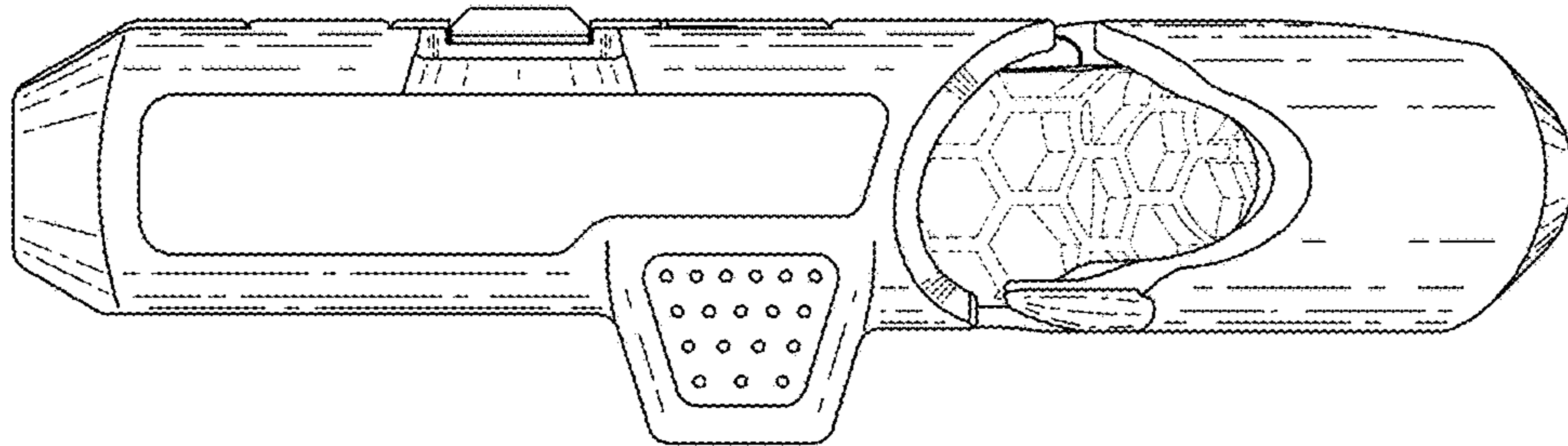


Fig. 9

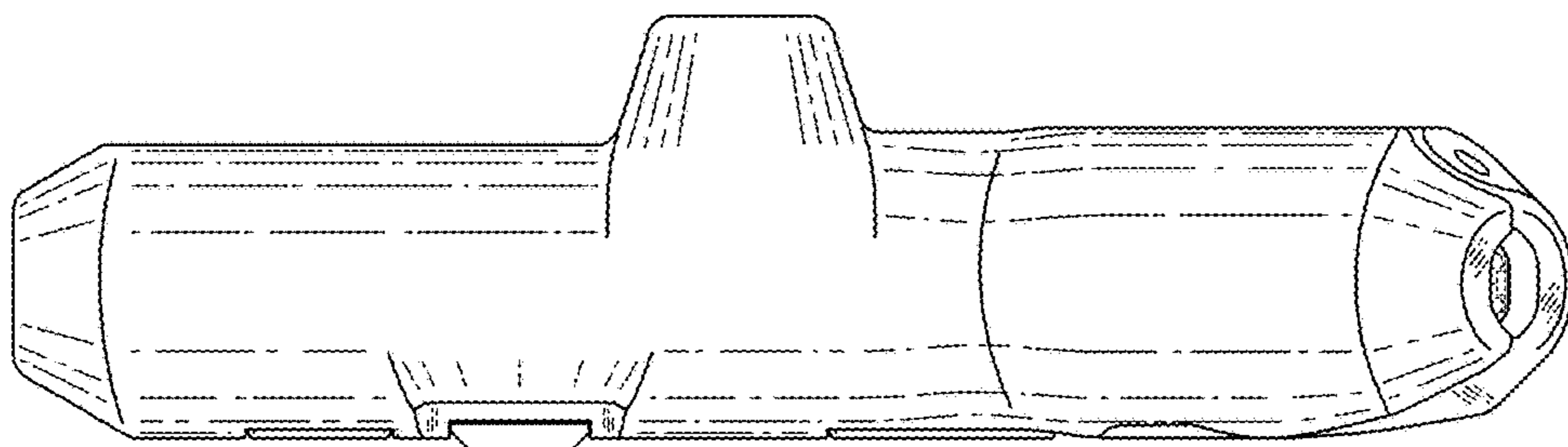


Fig. 10

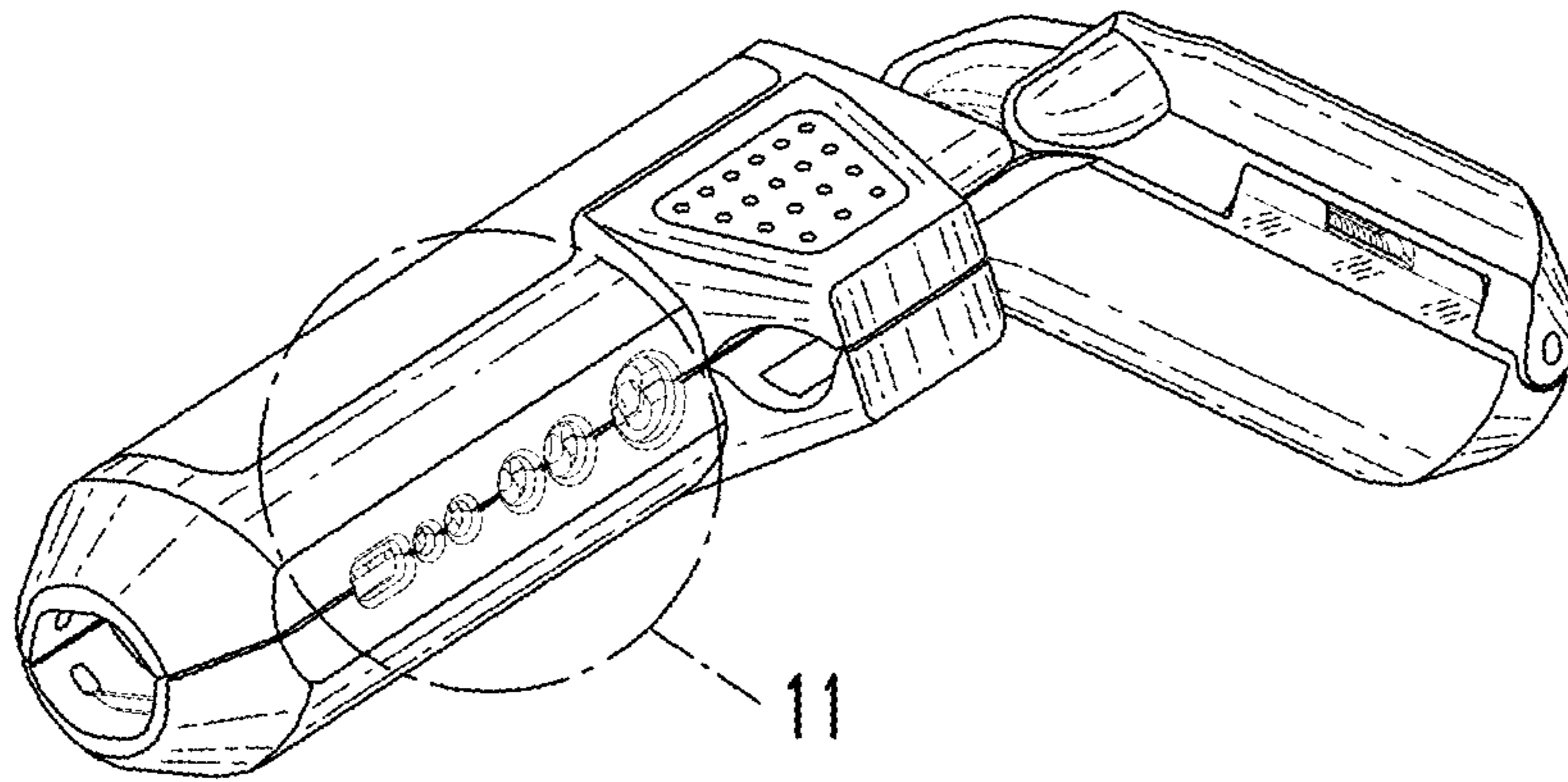


Fig. 11

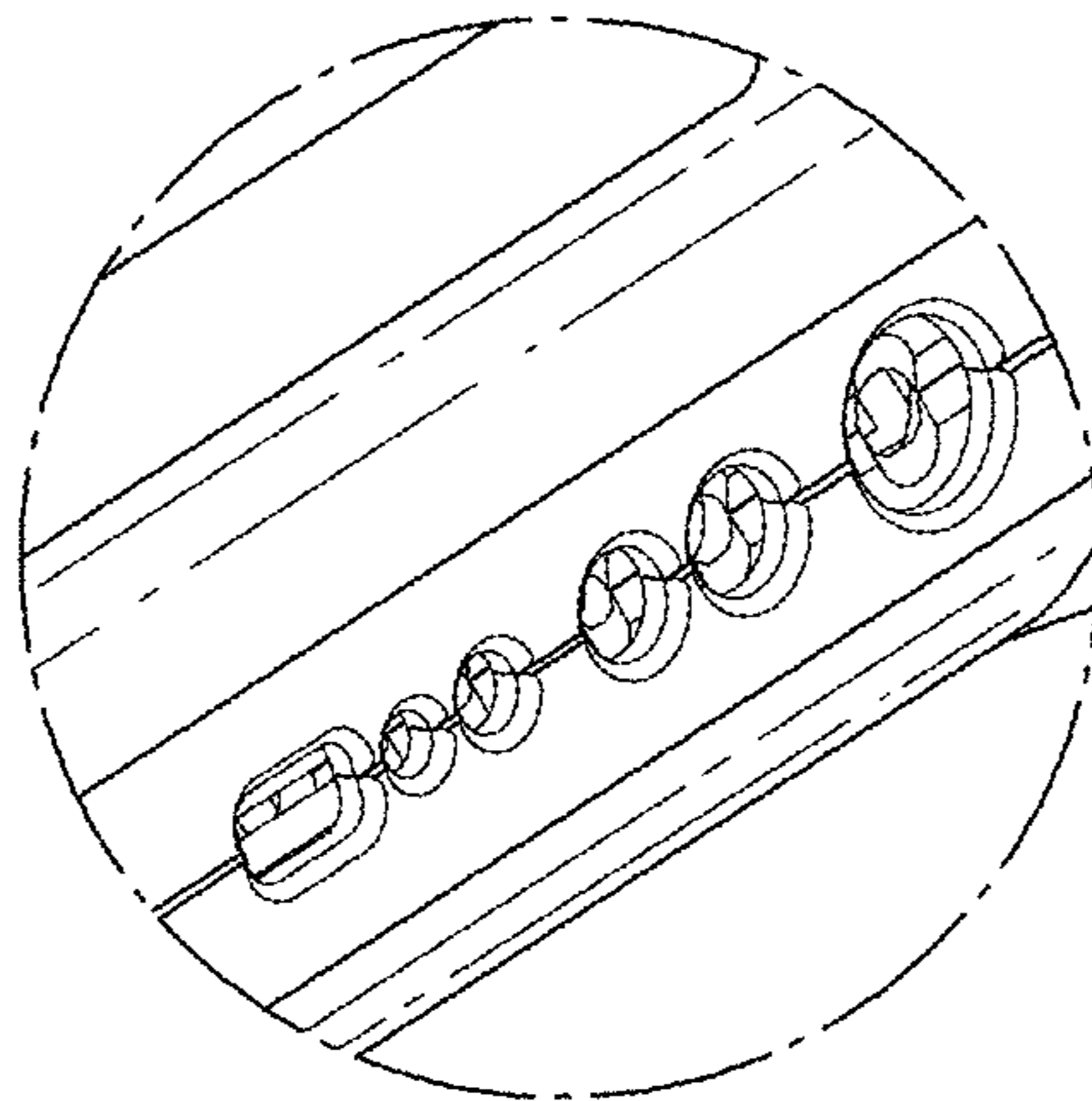


Fig. 12

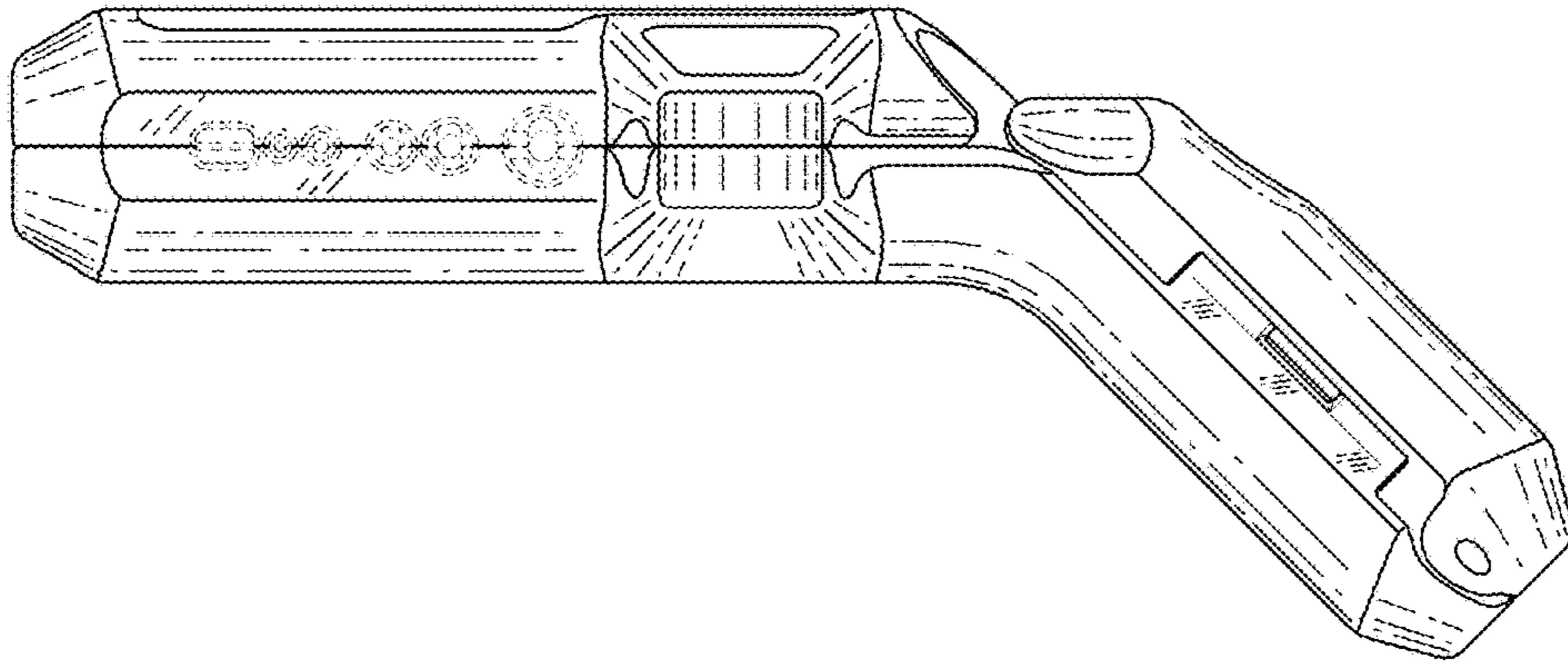


Fig. 13

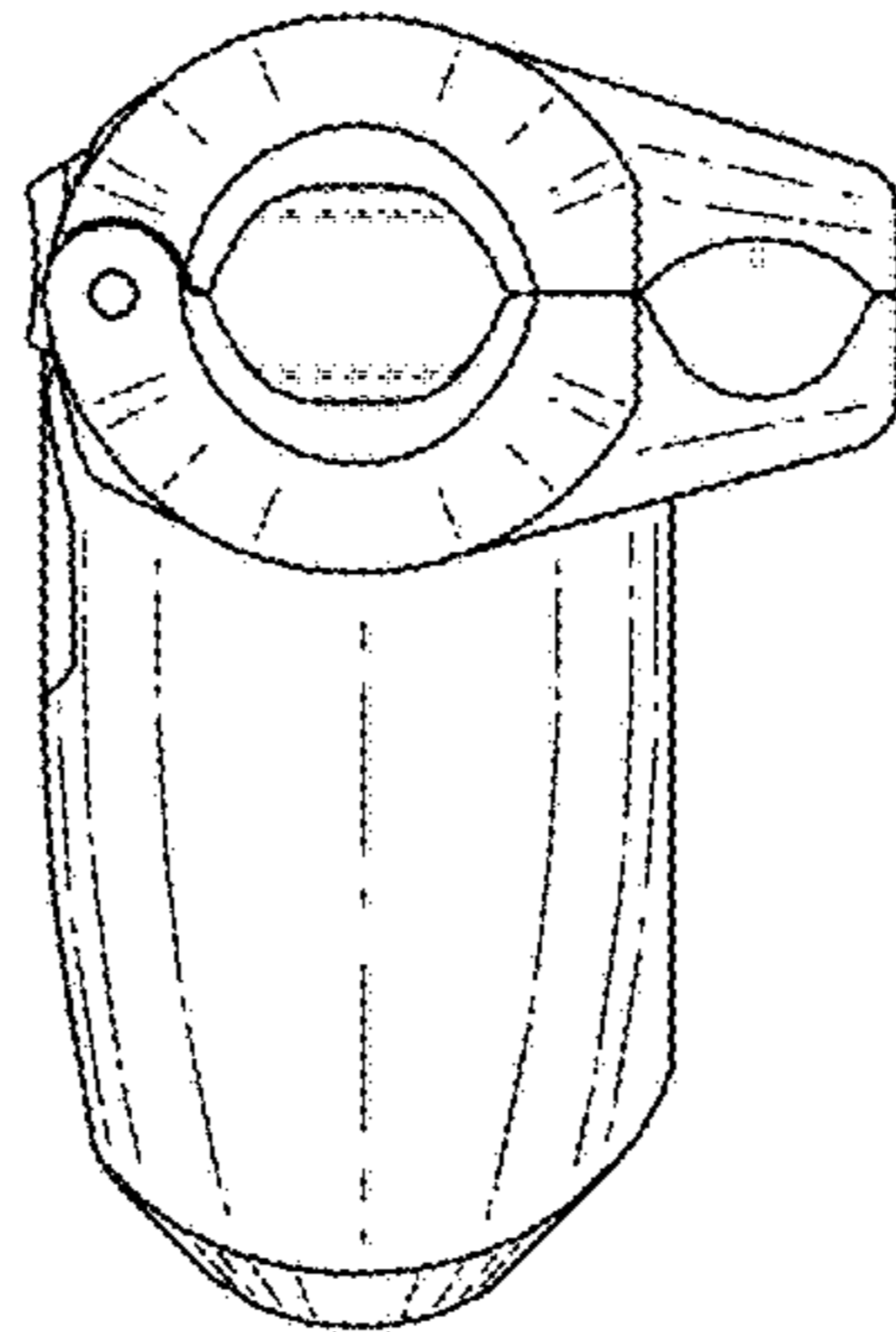


Fig. 14

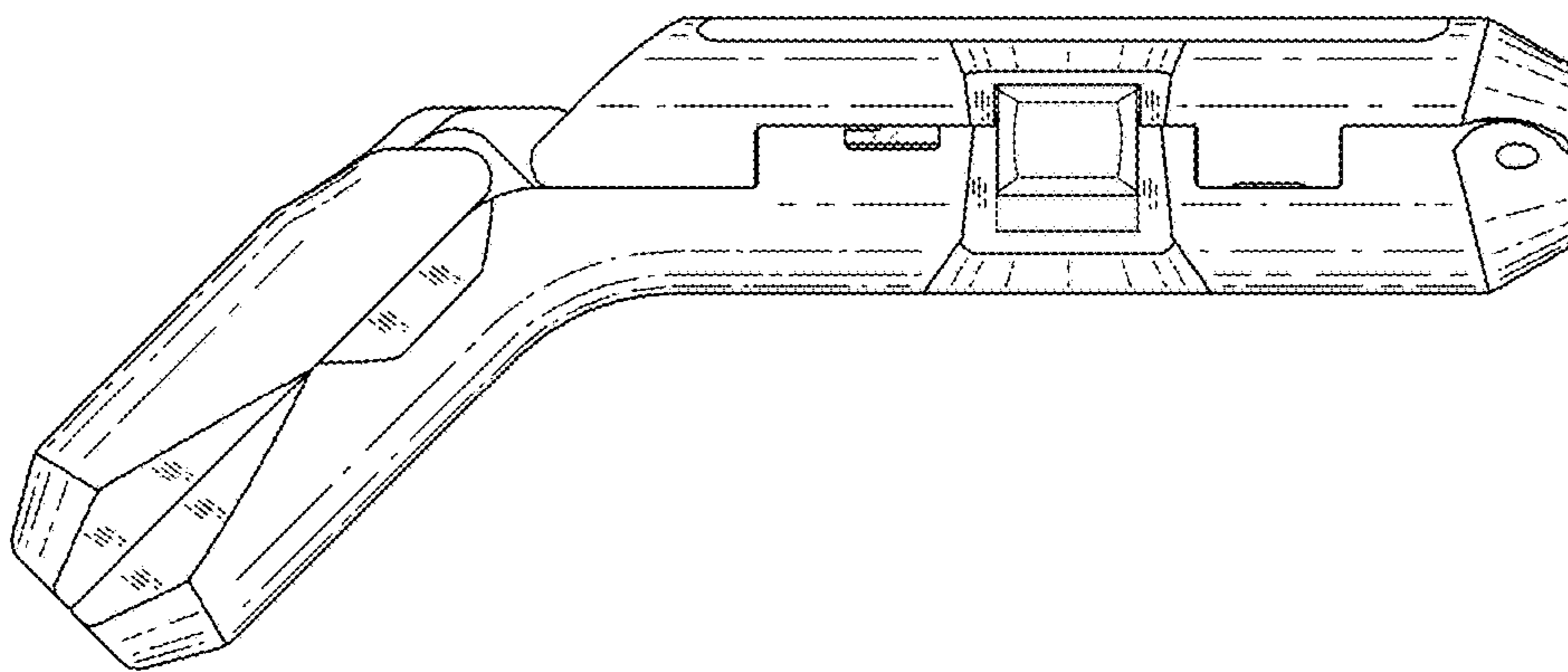


Fig. 15

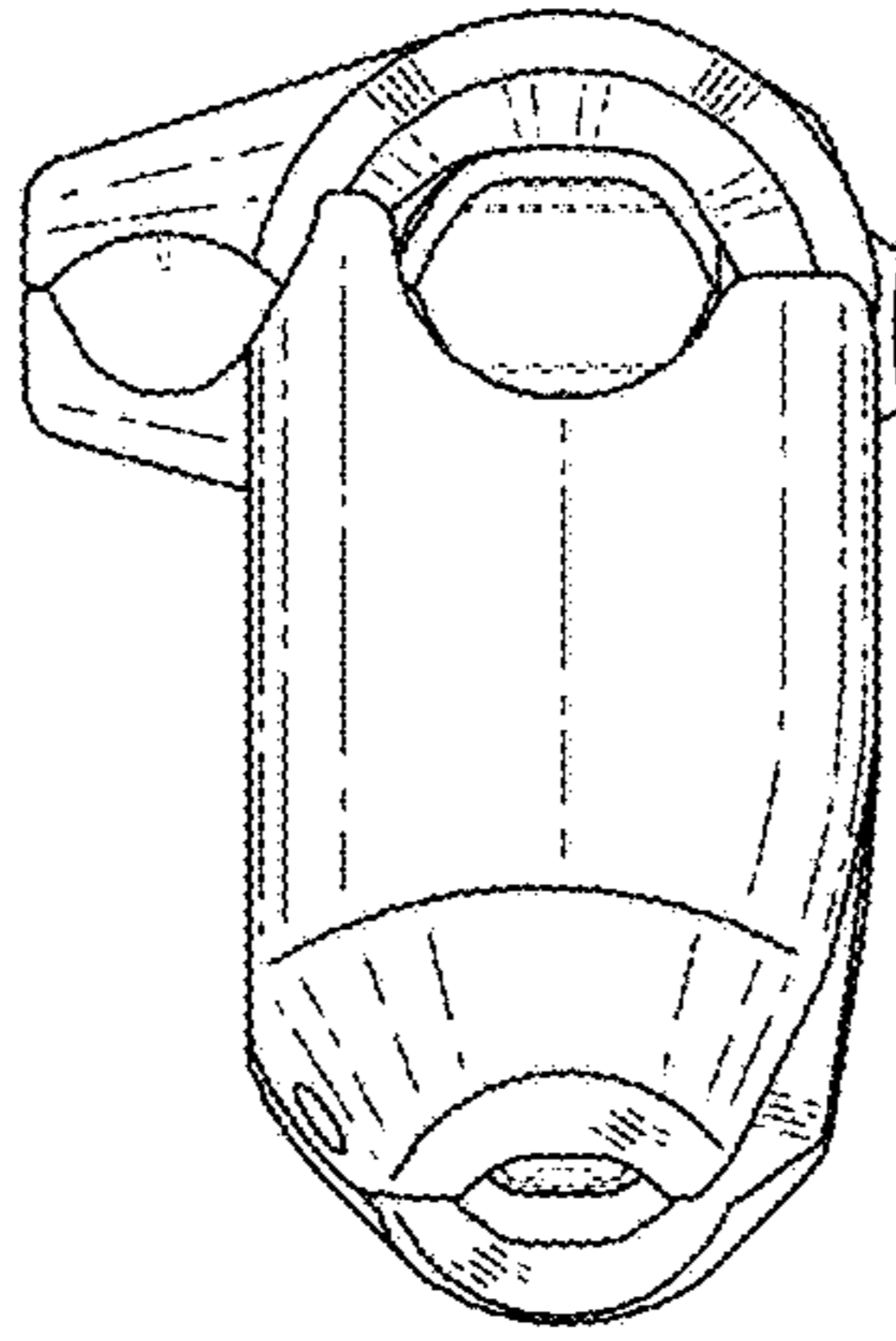


Fig. 16

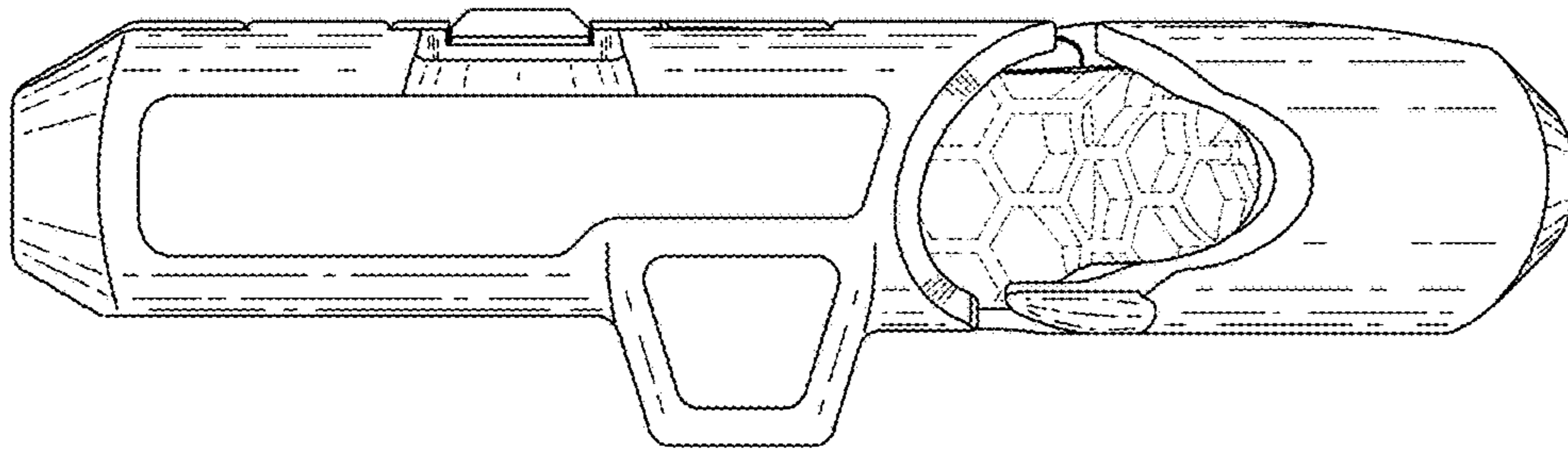


Fig. 17

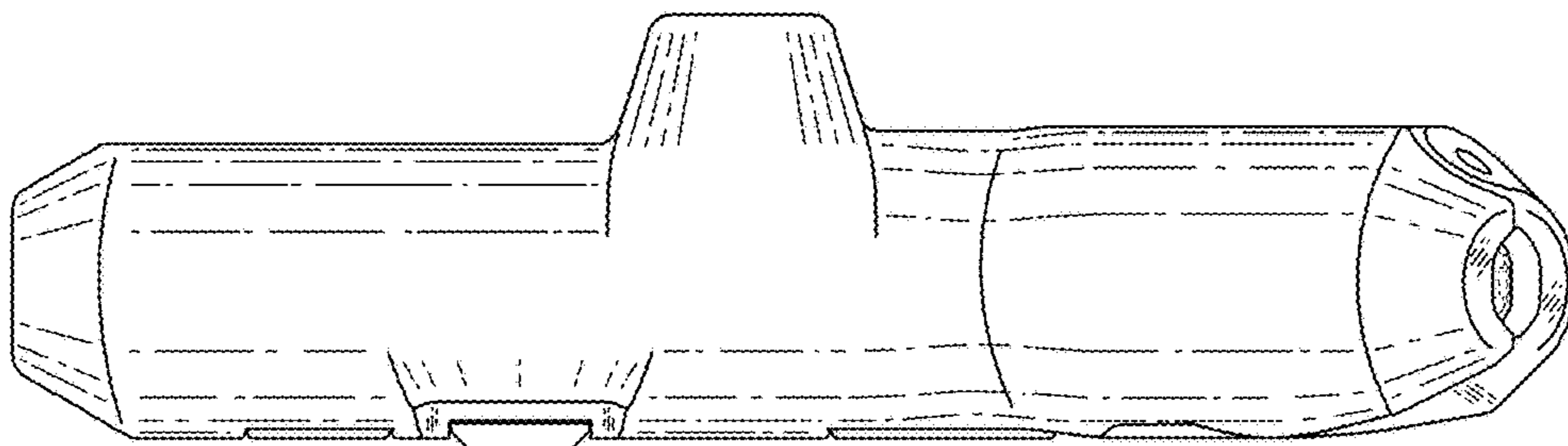


Fig. 18

