



US00D814895S

(12) **United States Design Patent**
Malaspino

(10) **Patent No.:** **US D814,895 S**
(45) **Date of Patent:** **** Apr. 10, 2018**

(54) **ROBOT BOTTLE OPENER**

- (71) Applicant: **True Fabrications, Inc.**, Seattle, WA (US)
- (72) Inventor: **Erin Marie Malaspino**, Seattle, WA (US)
- (73) Assignee: **True Fabrications, Inc.**, Seattle, WA (US)
- (**) Term: **15 Years**
- (21) Appl. No.: **29/544,703**
- (22) Filed: **Nov. 5, 2015**
- (51) **LOC (11) Cl.** **07-99**
- (52) **U.S. Cl.**
USPC **D8/40; D8/33; D8/42**
- (58) **Field of Classification Search**
USPC D8/16, 17, 18, 33, 40, 42, 43, 88, 300, D8/307, 312, 313, 321, 338, 400, 499; D7/691
CPC B67B 7/14; B67B 7/16; B67B 7/44; B67B 7/18; B67B 2007/166; B67B 7/0441; B67B 7/0447; B67B 7/066; B67B 7/0405; B67B 7/0417; B67B 7/162; B67B 7/00; B67B 7/04; B67B 7/0411; B67B 7/0423; B67B 7/06; B67B 7/182; B67B 7/385; A47G 23/0241; B26B 11/00; G10K 3/00; A44C 5/0007; B25F 1/006; B25F 1/00; B25F 1/003; B25F 5/021; Y10T 24/44564; Y10T 29/49822; B25B 23/1427
See application file for complete search history.

(56) **References Cited**

U.S. PATENT DOCUMENTS

- 1,753,026 A * 4/1930 Rosati B67B 7/0441 81/3.37
- D98,968 S * 3/1936 Smythe D8/42
- D228,613 S * 10/1973 Ghidini 81/3.45

(Continued)

OTHER PUBLICATIONS

BottleBot™ Winged Corkscrew by TrueZoo, posted unknown, [retrieved Jul. 24, 2017]. Retrieved from Internet, <URL: http://www.truefabrications.com/Bottlebot-Winged-Corkscrew >.*

(Continued)

Primary Examiner — Barbara Fox
Assistant Examiner — Kristin E Reed

(74) *Attorney, Agent, or Firm* — Vicky Kaur Bajwa

(57) **CLAIM**

The ornamental design for a robot bottle opener, as shown and described.

DESCRIPTION

FIG. 1 is a top perspective view of a first embodiment of a robot bottle opener in a first embodiment, showing my new design;

FIG. 2 is a front elevation view of the robot bottle opener of FIG. 1, the rear being a mirror image thereof;

FIG. 3 is a right side elevation view of the robot bottle opener of FIG. 1, the left being a mirror image thereof;

FIG. 4 is a top view of the robot bottle opener of FIG. 1;

FIG. 5 is a bottom view of the robot bottle opener of FIG. 1;

FIG. 6 is a top perspective view of a second embodiment of the robot bottle opener in a second embodiment;

FIG. 7 is a front elevation view of the robot bottle opener of FIG. 6, the rear being a mirror image thereof;

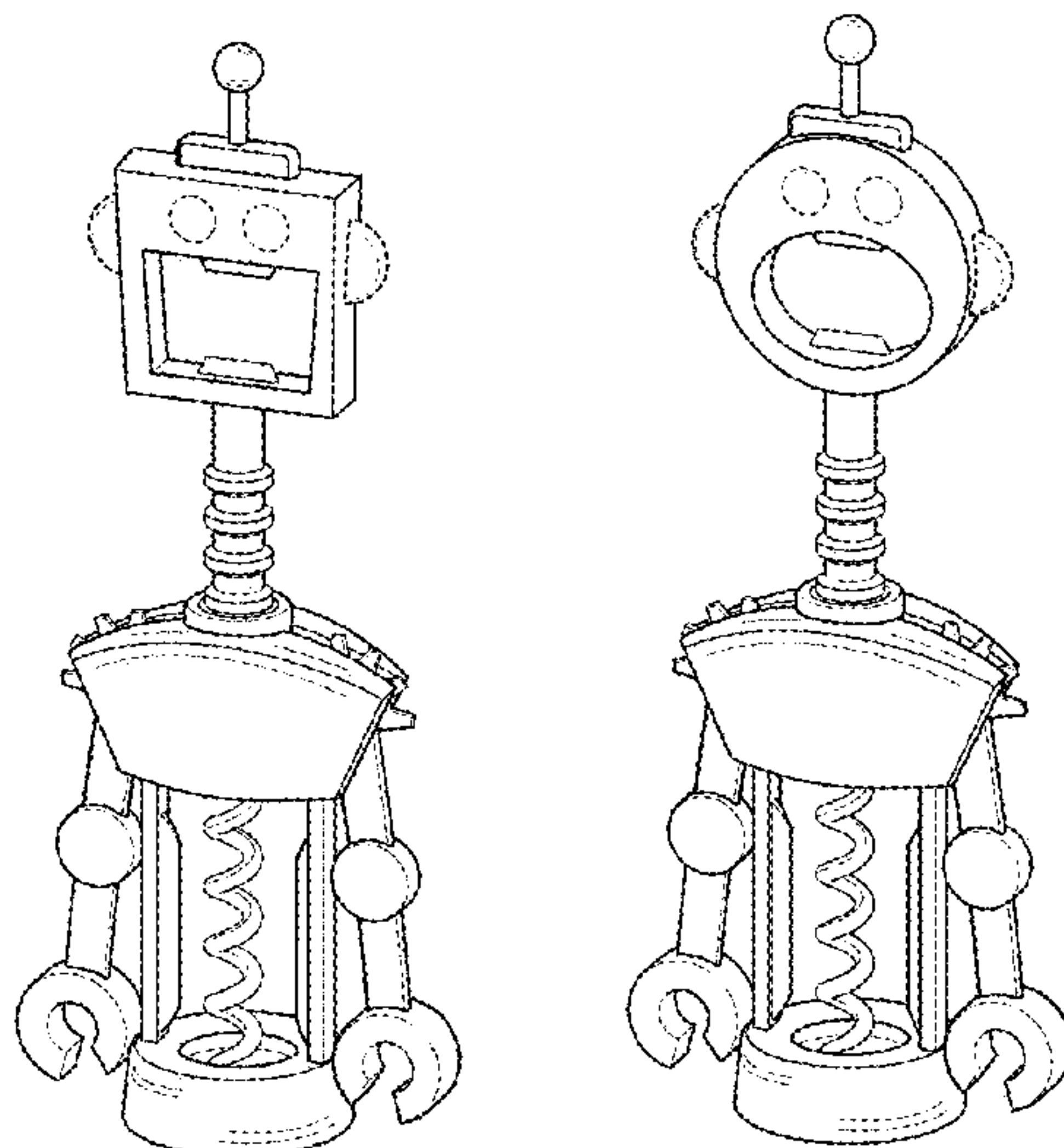
FIG. 8 is a right side elevation view of the robot bottle opener of FIG. 6, the left being a mirror image thereof;

FIG. 9 is a top view of the robot bottle opener of FIG. 6; and,

FIG. 10 is a bottom view of the robot bottle opener of FIG. 6.

The broken lines shown in the drawings depict portions of the robot bottle opener that form no part of the claimed design.

1 Claim, 6 Drawing Sheets



(56)

References Cited

U.S. PATENT DOCUMENTS

4,063,473 A * 12/1977 Bozzo B67B 7/0441
 29/434
 4,097,980 A * 7/1978 Bozzo B67B 7/0441
 29/434
 D274,974 S * 8/1984 Colombo D8/38
 D339,041 S * 9/1993 Tanfoglio D8/42
 D430,469 S * 9/2000 Thuma D8/39
 D454,473 S * 3/2002 Sum D8/42
 D582,231 S * 12/2008 Caroca D8/42
 D621,675 S * 8/2010 Molina D8/38
 D719,803 S * 12/2014 Agarwal D8/42
 2006/0266161 A1 * 11/2006 Mulcaire B67B 7/0441
 81/3.45

OTHER PUBLICATIONS

BottleBot(TM) Winged Corkscrew by TrueZoo, posted Oct. 13, 2015, [retrieved Jul. 24, 2017]. Retrieved from Internet, <URL: <https://www.amazon.com/BottleBot-TM-Winged-Corkscrew-TrueZoo/dp/B016MDEBGM> >.*
 Kikkerland Robot Corkscrew, posted Nov. 1, 2010, [retrieved Jul. 24, 2017]. Retrieved from Internet, <URL: <https://www.amazon.com/Kikkerland-CS11-Robot-Corkscrew/dp/B00487DRT2> >.*
 Kikkerland Day of the Dead Corkscrew, posted Jan. 31, 2012, [retrieved Jul. 24, 2017]. Retrieved from Internet, <URL: <https://www.amazon.com/exec/obidos/ASIN/B0074134YK/20160005-20> >.*

* cited by examiner

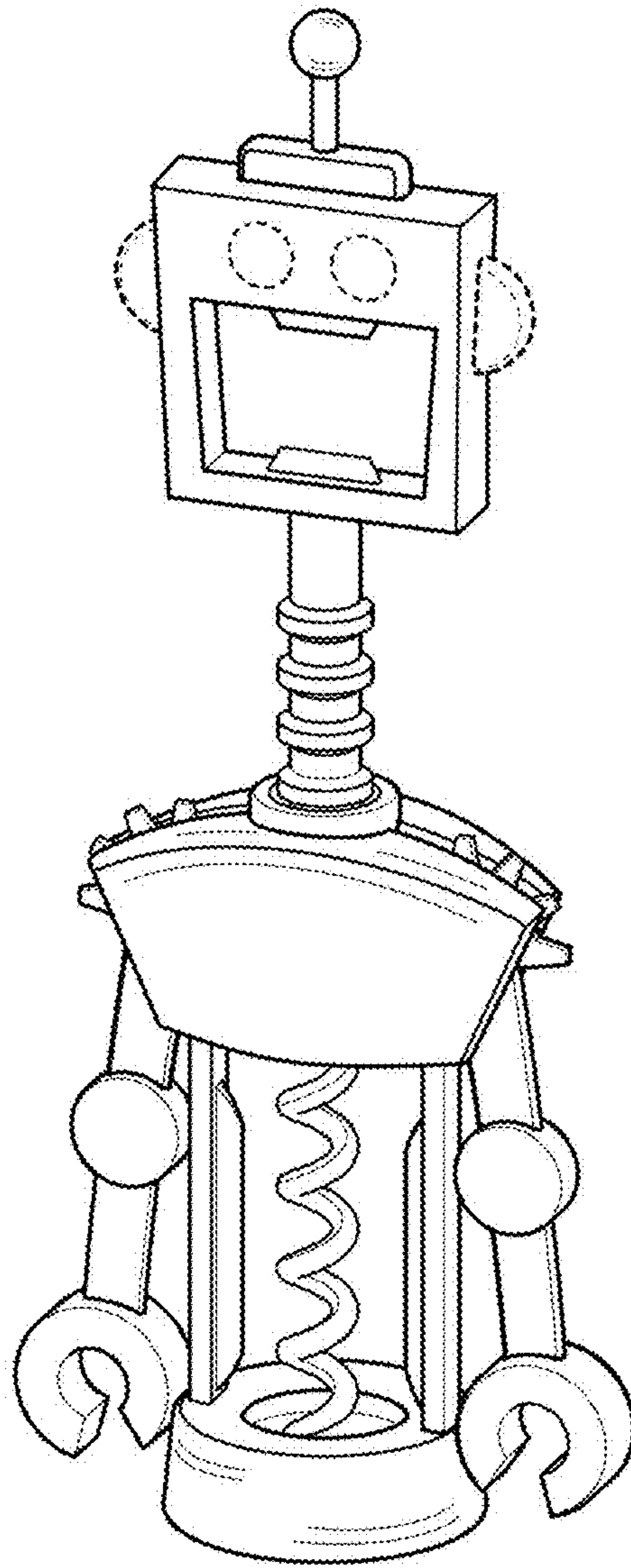


FIG. 1

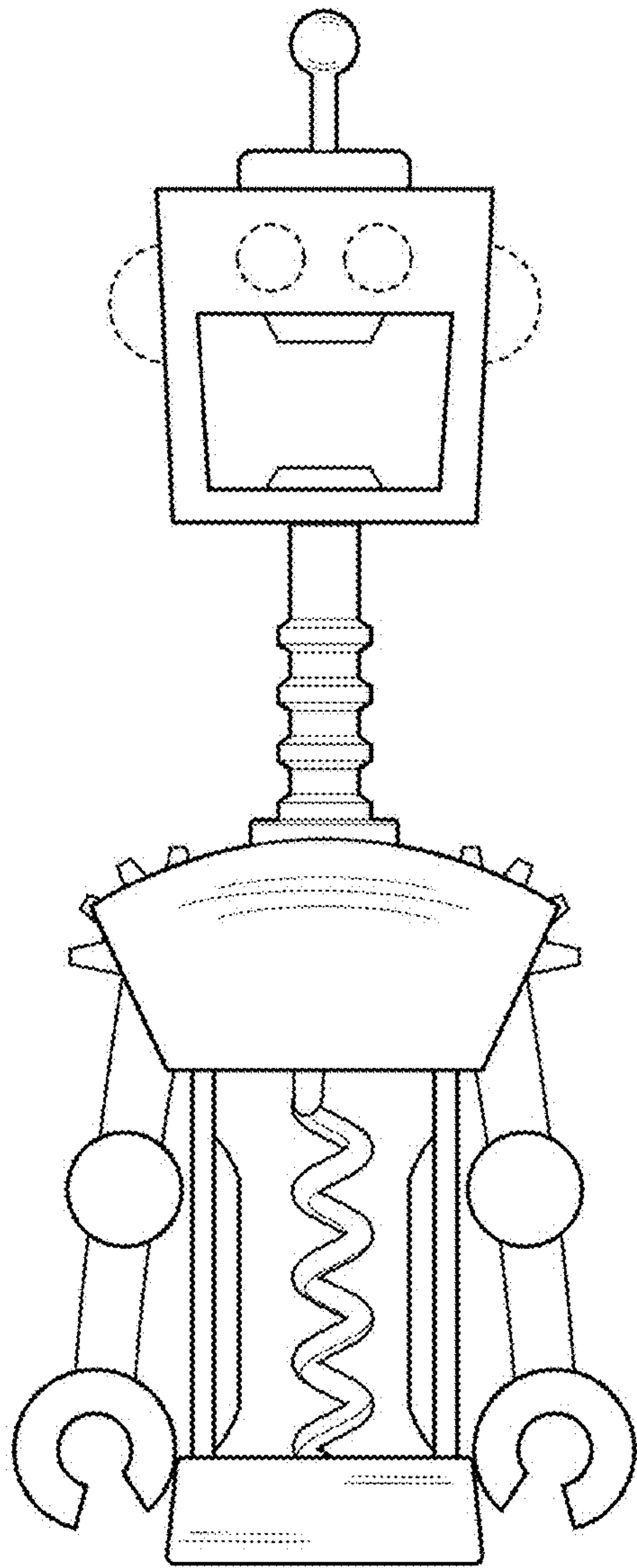


FIG. 2

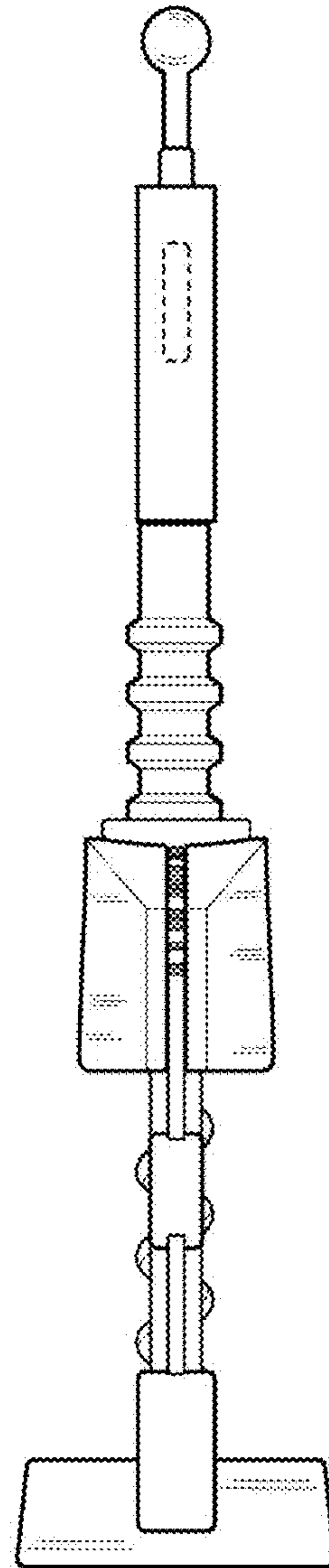


FIG. 3

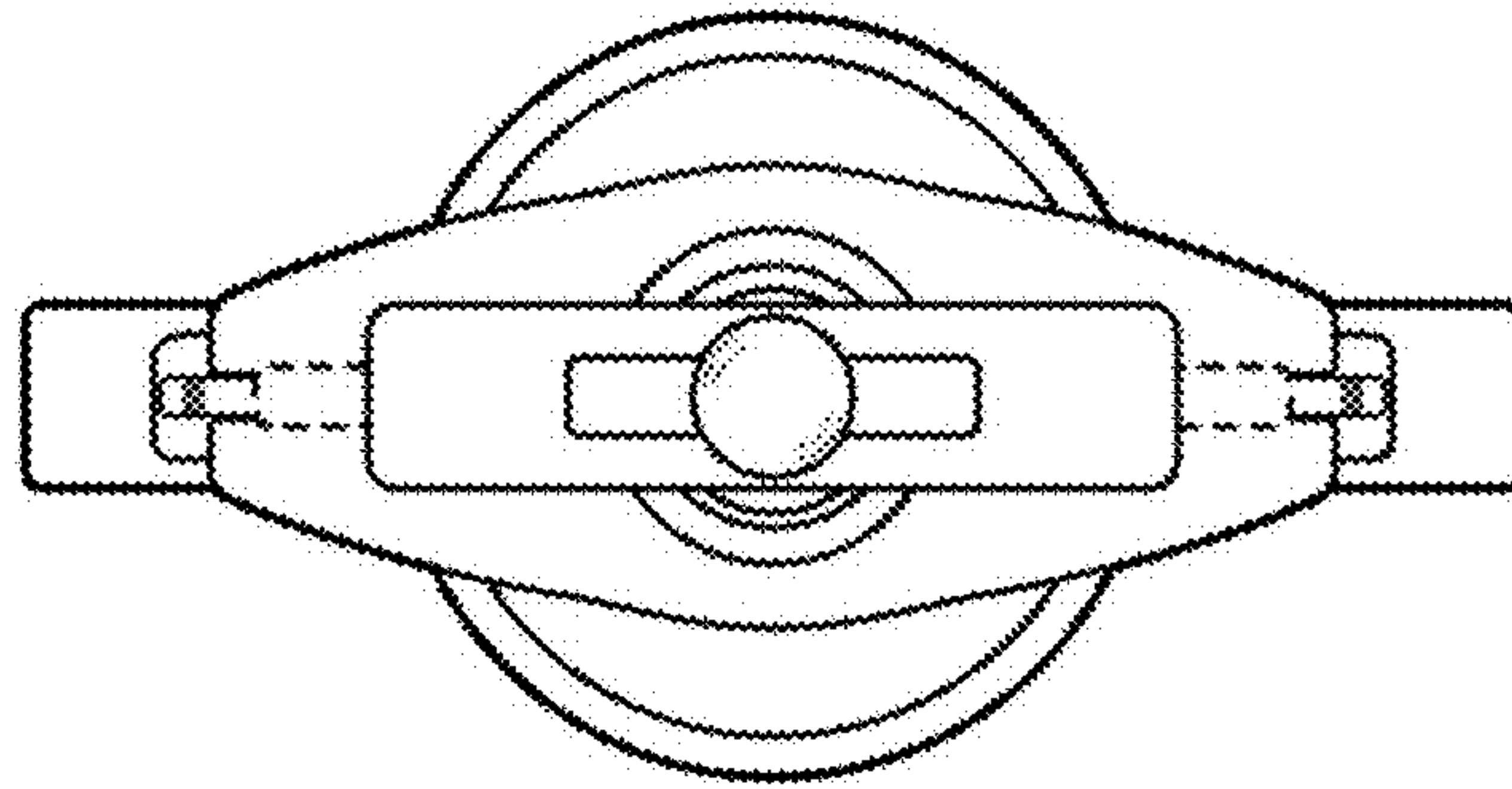


FIG. 4

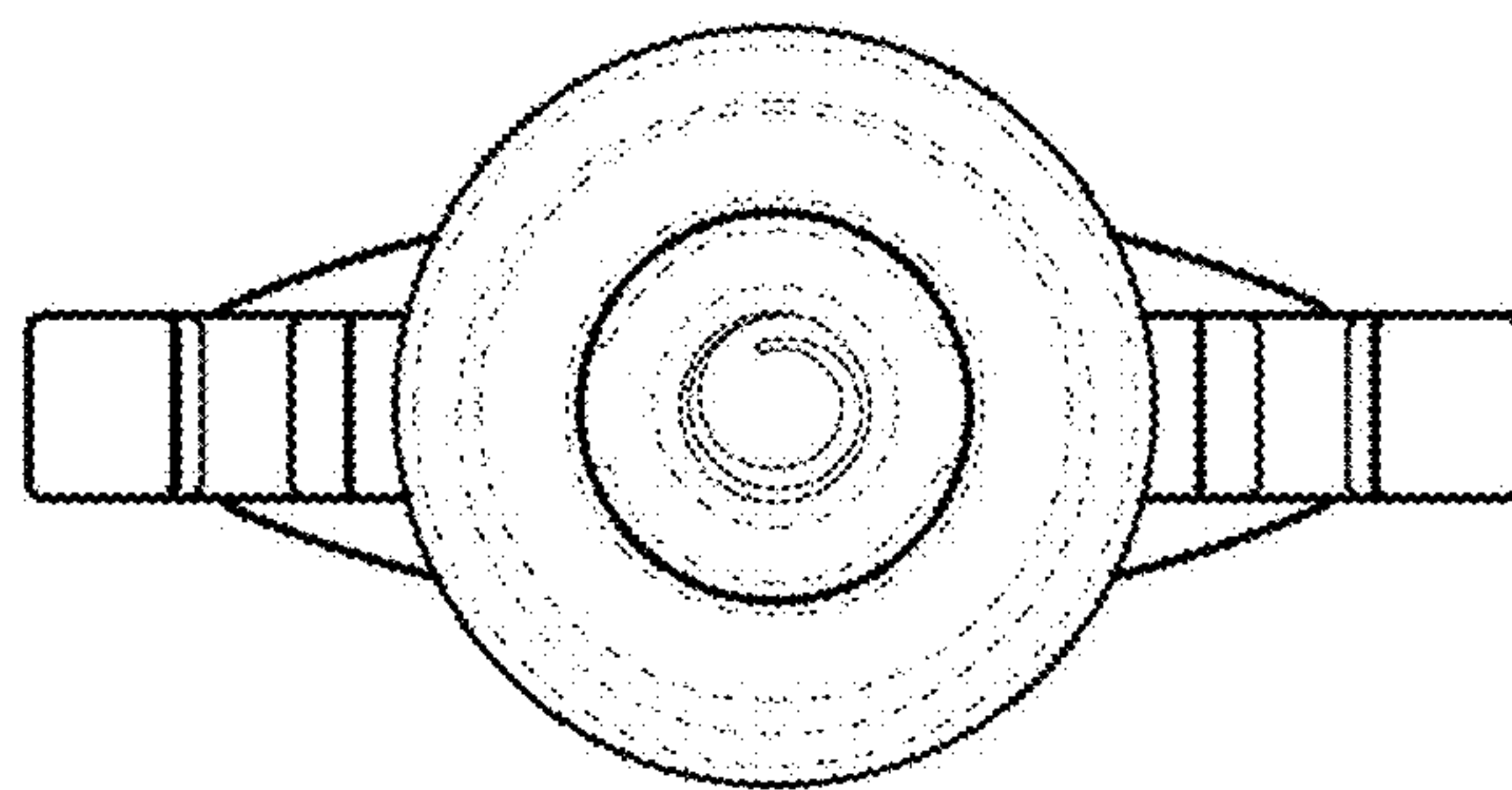


FIG. 5

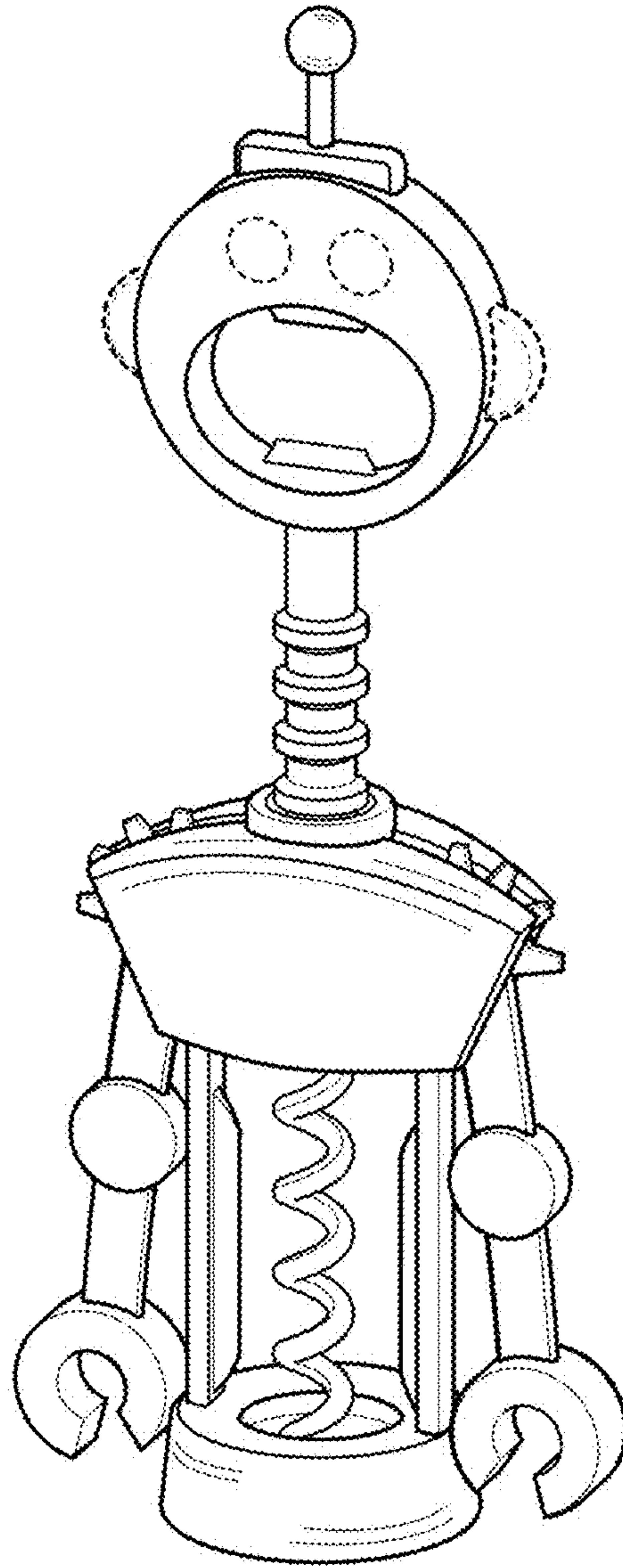


FIG. 6

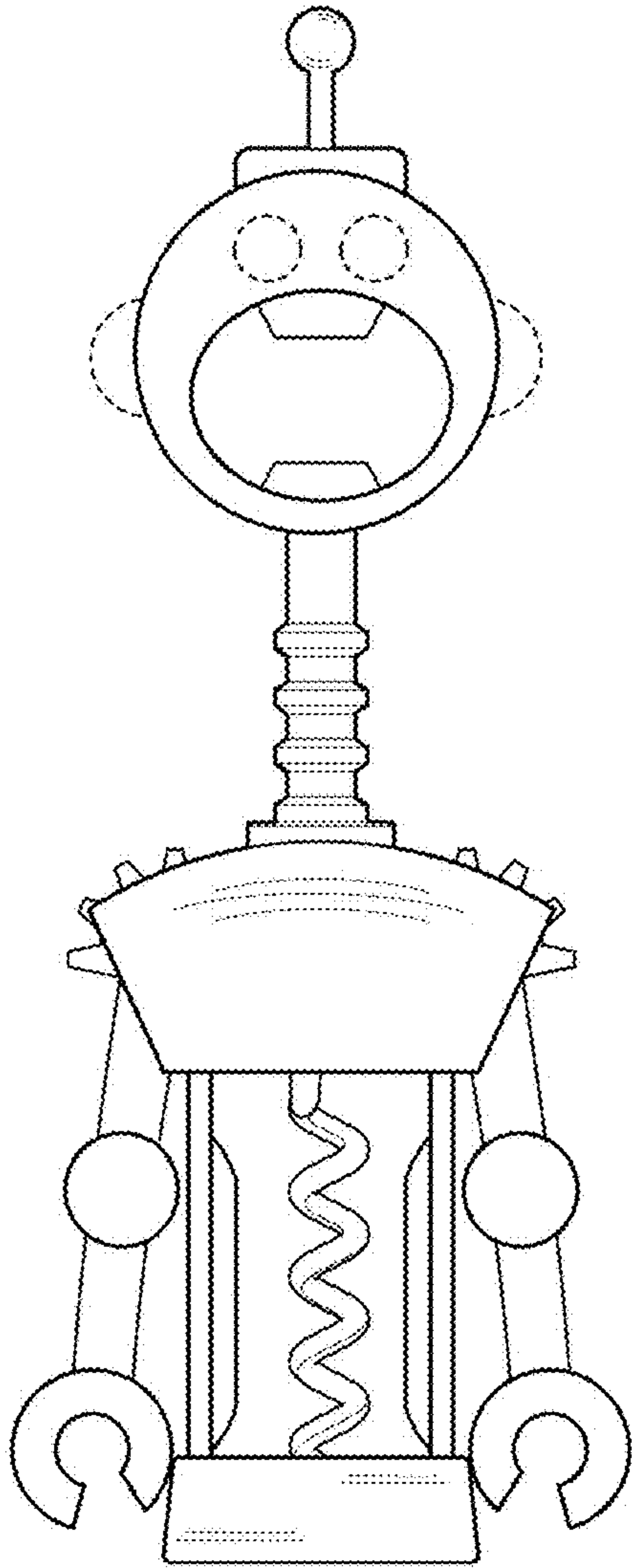


FIG. 7

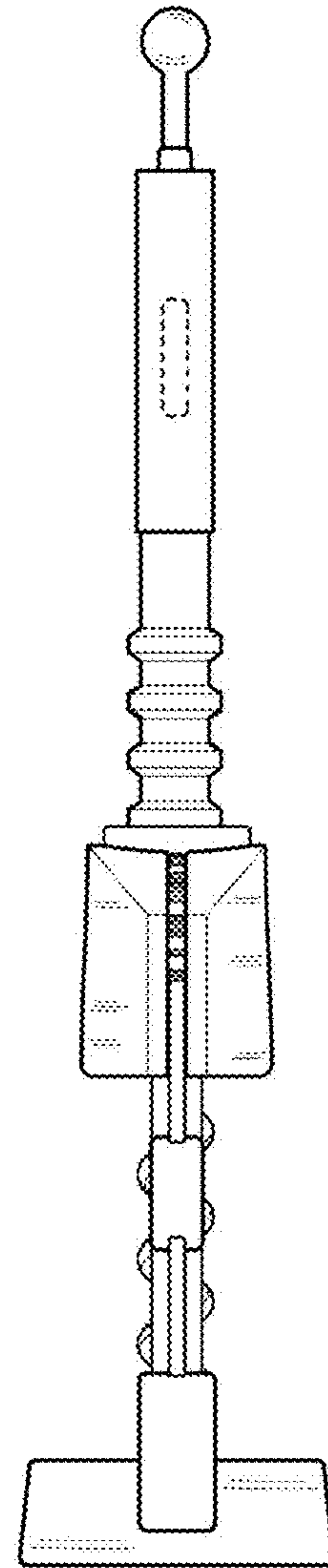


FIG. 8

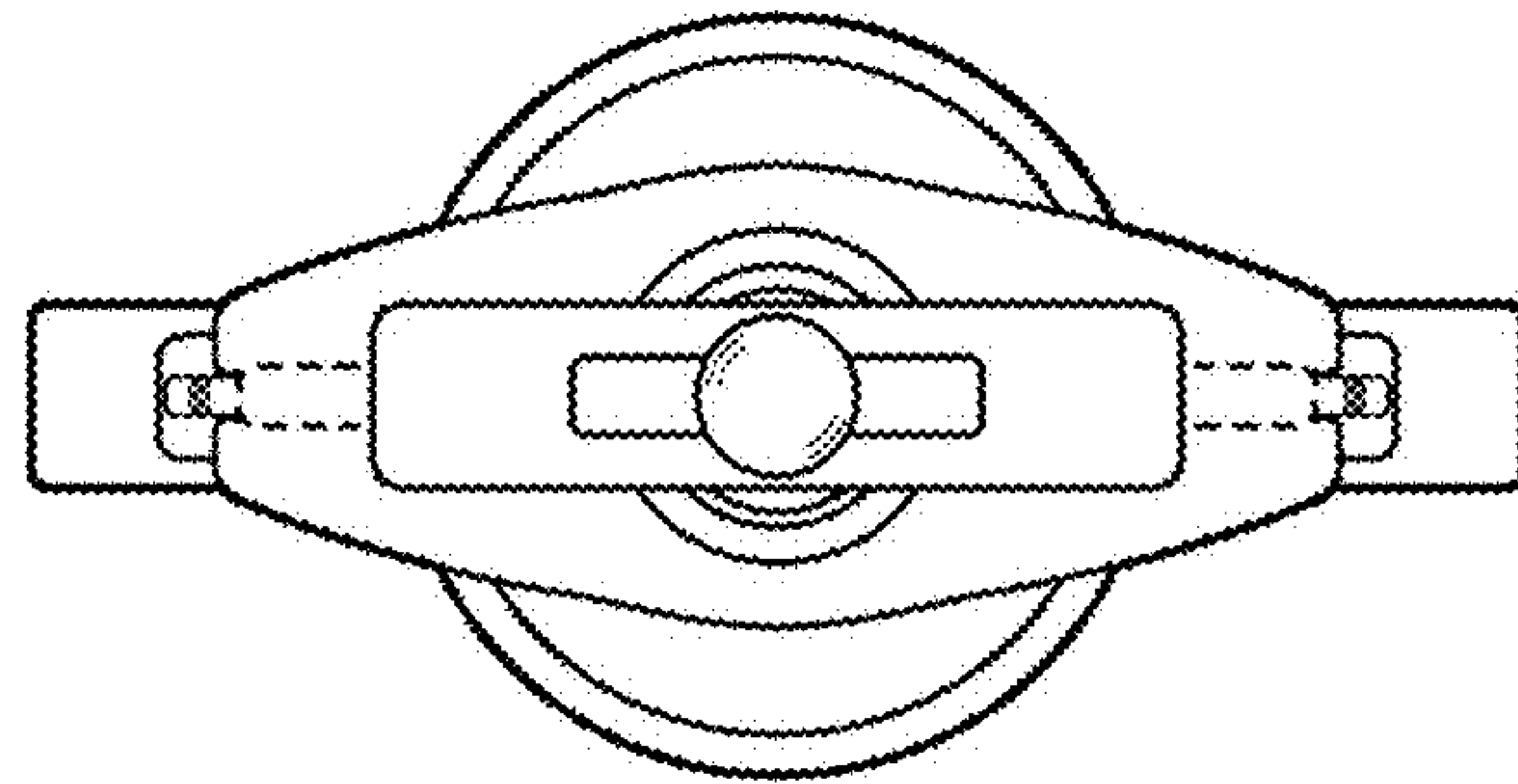


FIG. 9

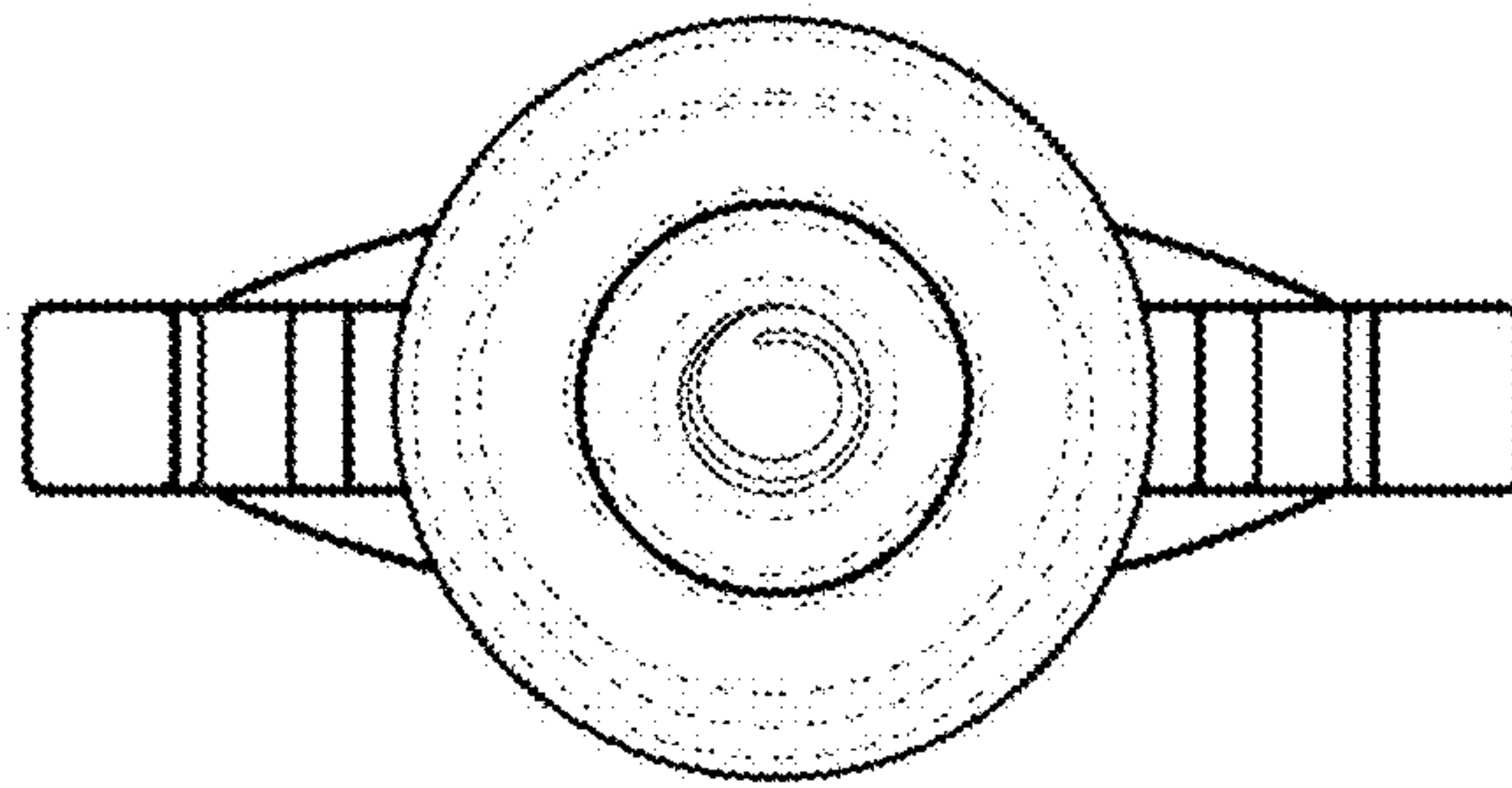


FIG. 10