

US00D814894S

(12) **United States Design Patent** (10) **Patent No.:** **US D814,894 S**
Alliss (45) **Date of Patent:** **** Apr. 10, 2018**

(54) **STRING TRIMMER HEAD**
(71) Applicant: **George E. Alliss**, Fairmont, NC (US)
(72) Inventor: **George E. Alliss**, Fairmont, NC (US)
(**) Term: **15 Years**
(21) Appl. No.: **29/557,560**
(22) Filed: **Mar. 10, 2016**
(51) **LOC (11) Cl.** **08-01**
(52) **U.S. Cl.**
USPC **D8/8**
(58) **Field of Classification Search**
USPC D8/1, 7, 8, 9, 383, 499; D15/1, 17
CPC A01D 34/01; A01D 34/412; A01D 34/416;
A01D 34/015; A01D 34/4161; A01D
34/4165; A01D 34/4166; A01D 34/4167;
A01D 34/84; A01G 3/062; B25F 5/02
See application file for complete search history.

D598,255 S 8/2009 Alliss
D675,655 S 2/2013 Leach
D712,215 S 9/2014 Tajik et al.
D715,608 S 10/2014 Cigarini
D727,695 S 4/2015 Tinius
D759,445 S * 6/2016 Tinius D15/17
D763,640 S 8/2016 Cigarini et al.
D769,086 S 10/2016 Alliss
D769,087 S 10/2016 Alliss
D769,088 S 10/2016 Alliss
D776,997 S 1/2017 Tinius
D796,293 S 9/2017 Alliss
2003/0052218 A1 3/2003 Knizner
2008/0052917 A1 3/2008 Proulx
2009/0172955 A1* 7/2009 Morris A01D 34/4163
30/276

(Continued)

Primary Examiner — Sandra S Snapp
Assistant Examiner — Ieisha N Price
(74) *Attorney, Agent, or Firm* — Sand & Sebolt

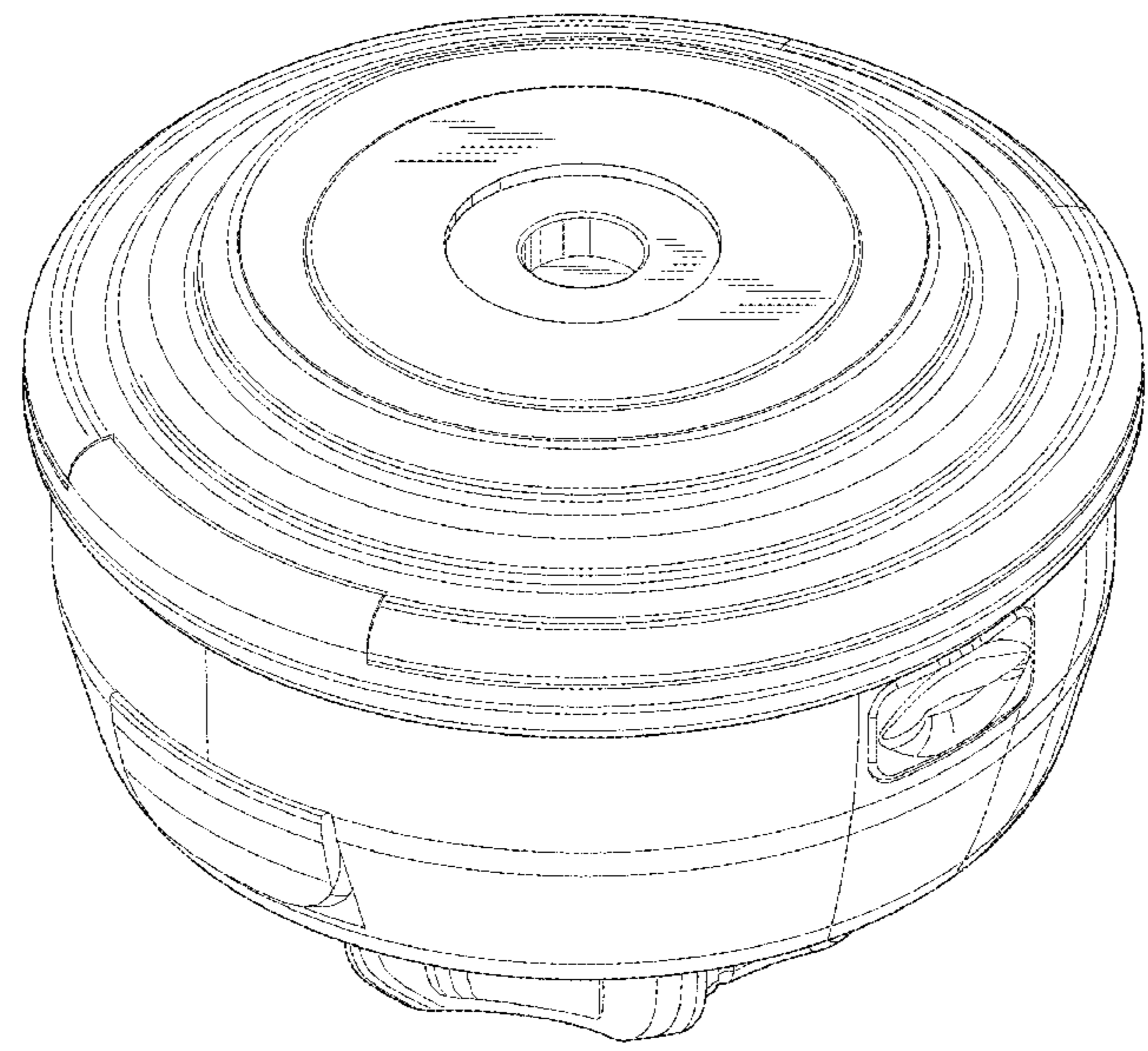
(57) **CLAIM**
The ornamental designs for a string trimmer head, as shown and described.

(56) **References Cited**
U.S. PATENT DOCUMENTS
2,797,592 A 7/1957 Marrapese
D252,208 S 6/1979 Ooya
D254,173 S 2/1980 Proulx
4,550,498 A 11/1985 Oliver
D284,263 S 6/1986 Resan
D284,266 S 6/1986 Resan
D302,779 S 8/1989 Baba
D346,727 S 5/1994 Eriksson
D347,773 S 6/1994 Nash
D460,904 S 7/2002 Riley et al.
D465,975 S 11/2002 Iacona
D472,947 S 4/2003 Wu
D479,961 S 9/2003 Iacona
D482,581 S 11/2003 Nystrom
D482,941 S * 12/2003 Nystrom D8/8
D516,407 S 3/2006 Grutzke et al.
D589,776 S 4/2009 Camp

DESCRIPTION

FIG. 1 is a right, top side perspective view of a string trimmer head.
FIG. 2 is a top plan view of the string trimmer head of FIG. 1.
FIG. 3 is a front view of the string trimmer head of FIG. 1. The back view being the same as the front view.
FIG. 4 is a right elevation view of the string trimmer head of FIG. 1. The left elevation view being the same as the right elevation view; and,
FIG. 5 is a bottom plan view of the string trimmer head of FIG. 1.
The broken lines in the drawings illustrate portions of the string trimmer head and form no part of the claimed design.

1 Claim, 5 Drawing Sheets



(56)

References Cited

U.S. PATENT DOCUMENTS

2009/0260237 A1 10/2009 Alliss
2009/0282687 A1 11/2009 Arnetoli
2011/0000091 A1 1/2011 Proulx
2011/0302793 A1 12/2011 Alliss
2012/0066913 A1 3/2012 Alliss et al.
2014/0215835 A1 8/2014 Racov et al.
2015/0150191 A1 6/2015 Alliss
2015/0223395 A1* 8/2015 Pellenc A01D 34/4161
30/276
2015/0327436 A1 11/2015 Skinner et al.
2015/0342116 A1* 12/2015 Sprungman A01D 34/4163
30/276
2016/0143219 A1* 5/2016 Yuan A01D 34/4165
30/276
2016/0278288 A1* 9/2016 Yamaoka A01D 34/81
2017/0238461 A1 8/2017 Cabrera et al.

* cited by examiner

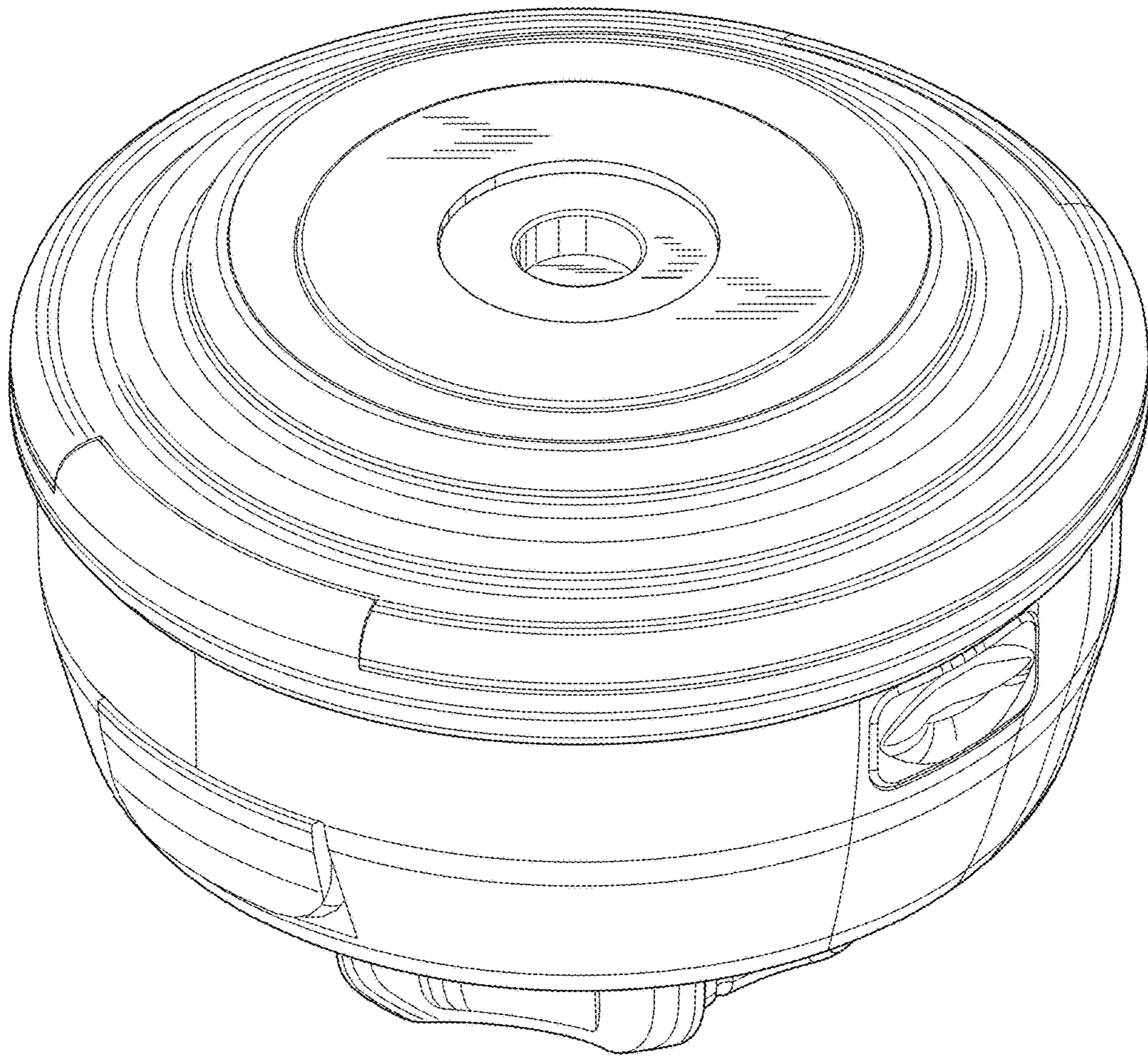


FIG.1

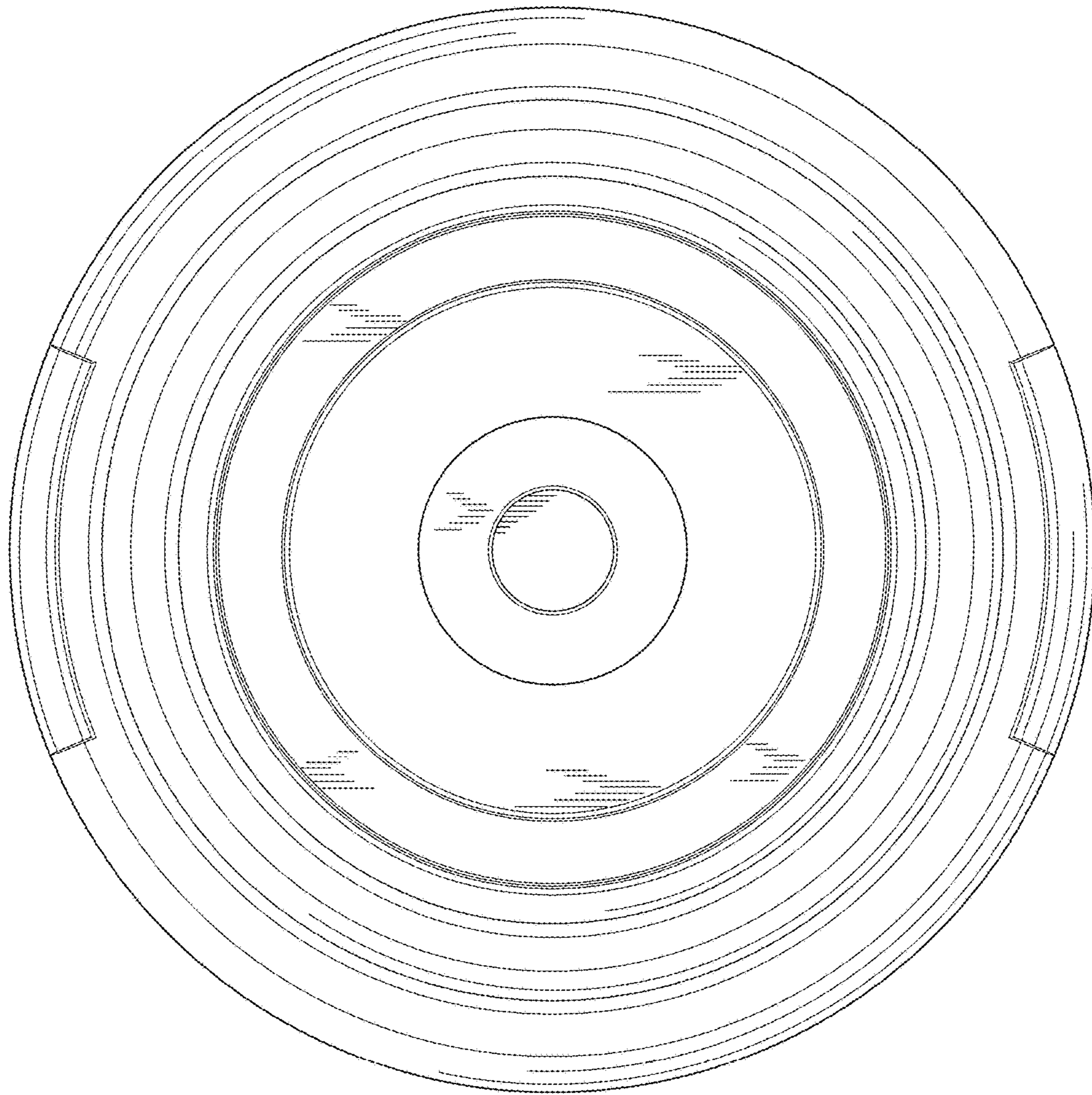


FIG. 2

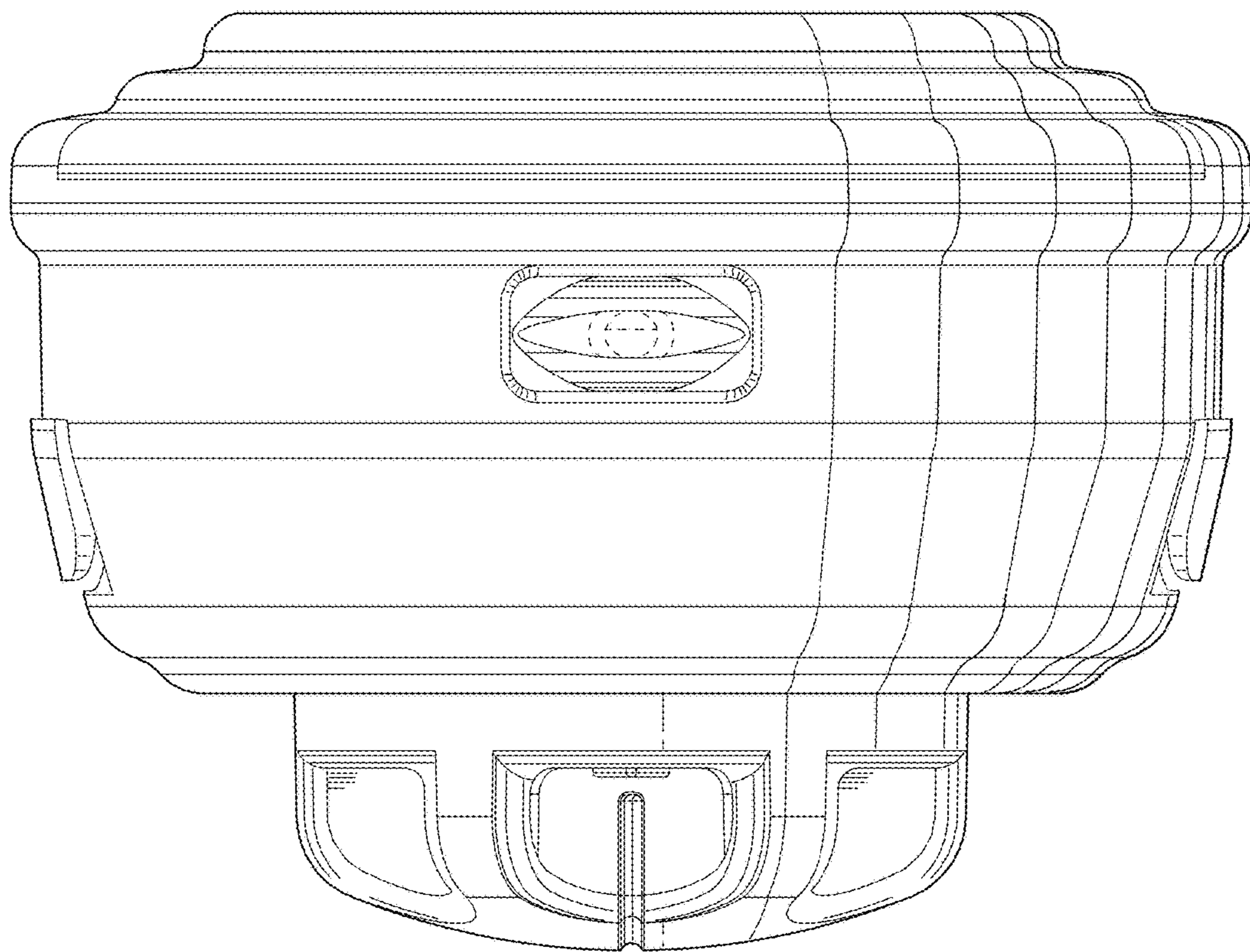


FIG.3

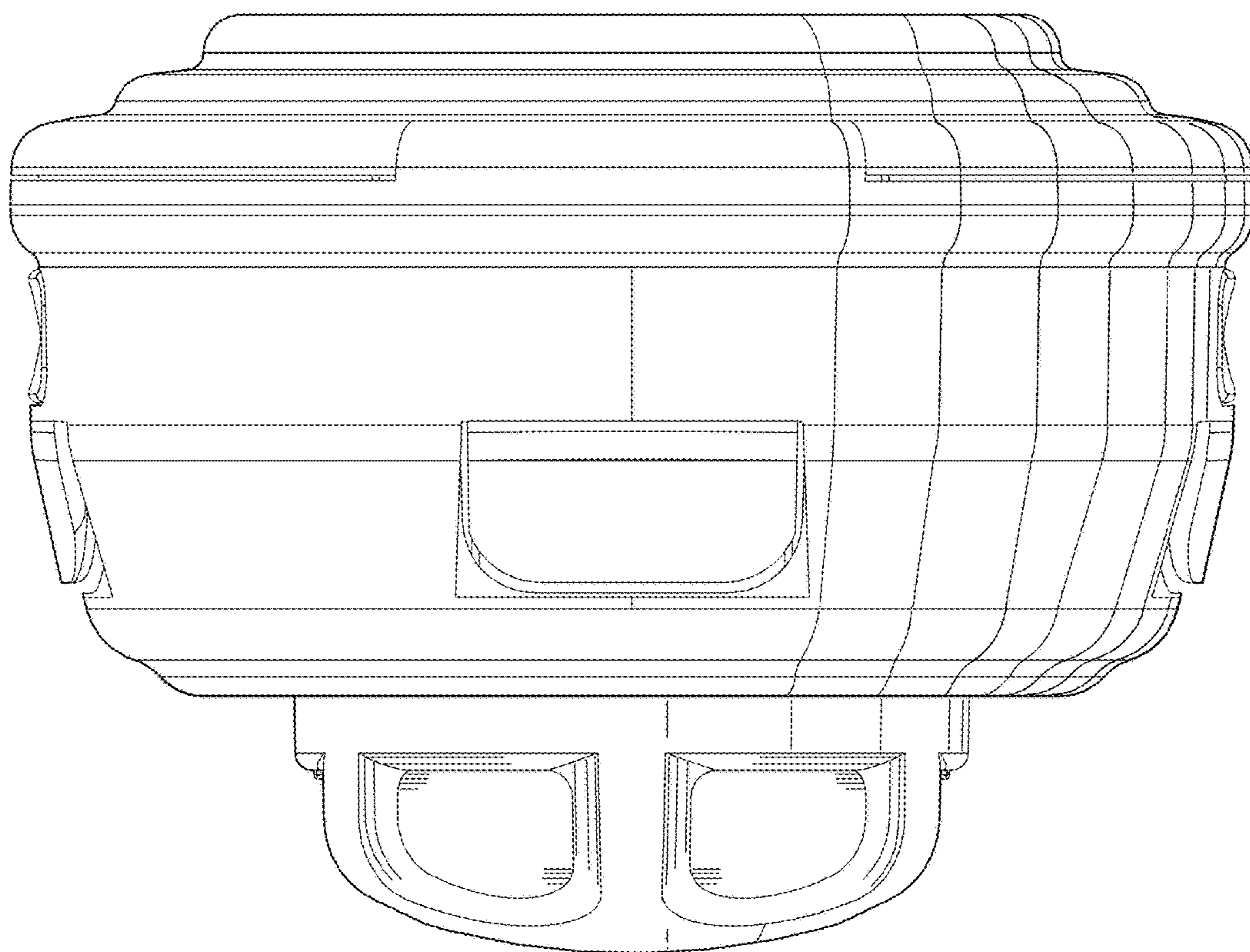


FIG.4

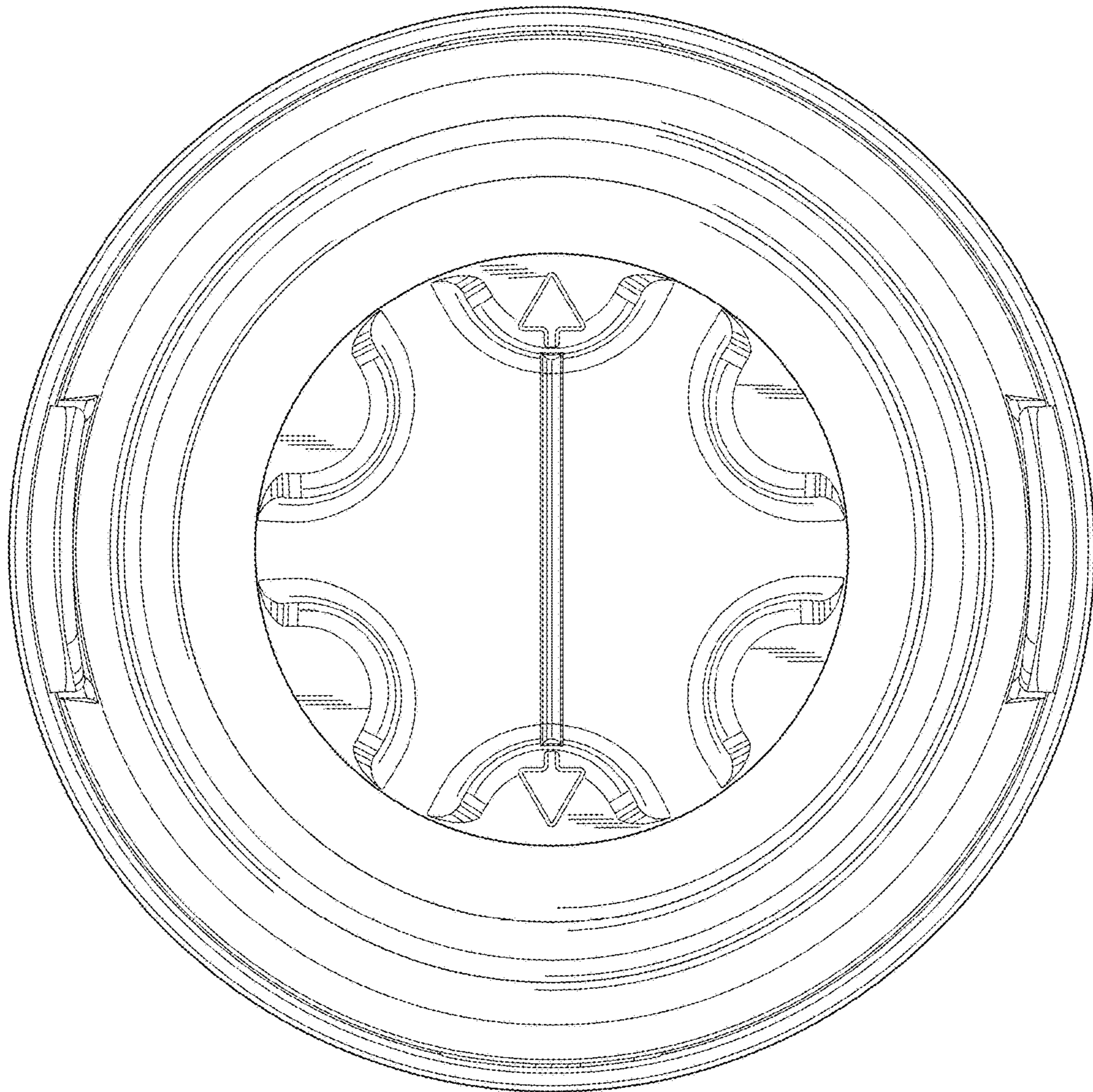


FIG.5