



US00D814892S

(12) **United States Design Patent**
Joder

(10) **Patent No.:** **US D814,892 S**
(45) **Date of Patent:** **** Apr. 10, 2018**

(54) **LOCKING MECHANISM**
(71) Applicant: **KUHN RIKON AG**, Rikon Im Tösstal (CH)
(72) Inventor: **Fabian Joder**, Zürich (CH)
(**) Term: **15 Years**
(21) Appl. No.: **35/502,309**
(22) Filed: **Jul. 19, 2016**

(80) **Hague Agreement Data**

Int. Filing Date: **Jul. 19, 2016**
Int. Reg. No.: **DM/092098**
Int. Reg. Date: **Jul. 19, 2016**
Int. Reg. Pub. Date: **Jan. 20, 2017**

(51) **LOC (11) Cl.** **07-06**
(52) **U.S. Cl.**
USPC **D7/686**
(58) **Field of Classification Search**
USPC D7/686
CPC A47G 21/103; A47G 21/106; A47G 21/02;
A47G 21/10; A47J 43/283
See application file for complete search history.

(56) **References Cited**

U.S. PATENT DOCUMENTS

2,111,195 A 3/1938 Skau
4,275,646 A 6/1981 Barna
4,314,724 A 2/1982 Barna
5,123,689 A * 6/1992 Fields A47J 43/283
294/26.5

D392,849 S 3/1998 Zeller
D459,954 S 7/2002 Wang
D490,684 S 6/2004 Settele
6,869,117 B1 * 3/2005 Blum A47G 21/10
294/106
D689,748 S * 9/2013 Schoeman D7/686
8,714,606 B2 * 5/2014 Schoeman A47G 21/10
294/106
D763,635 S * 8/2016 Frank D7/686
D787,898 S * 5/2017 Roberts D7/686
9,687,112 B2 * 6/2017 Aghamalian A47J 43/283

* cited by examiner

Primary Examiner — Michael A. Pratt

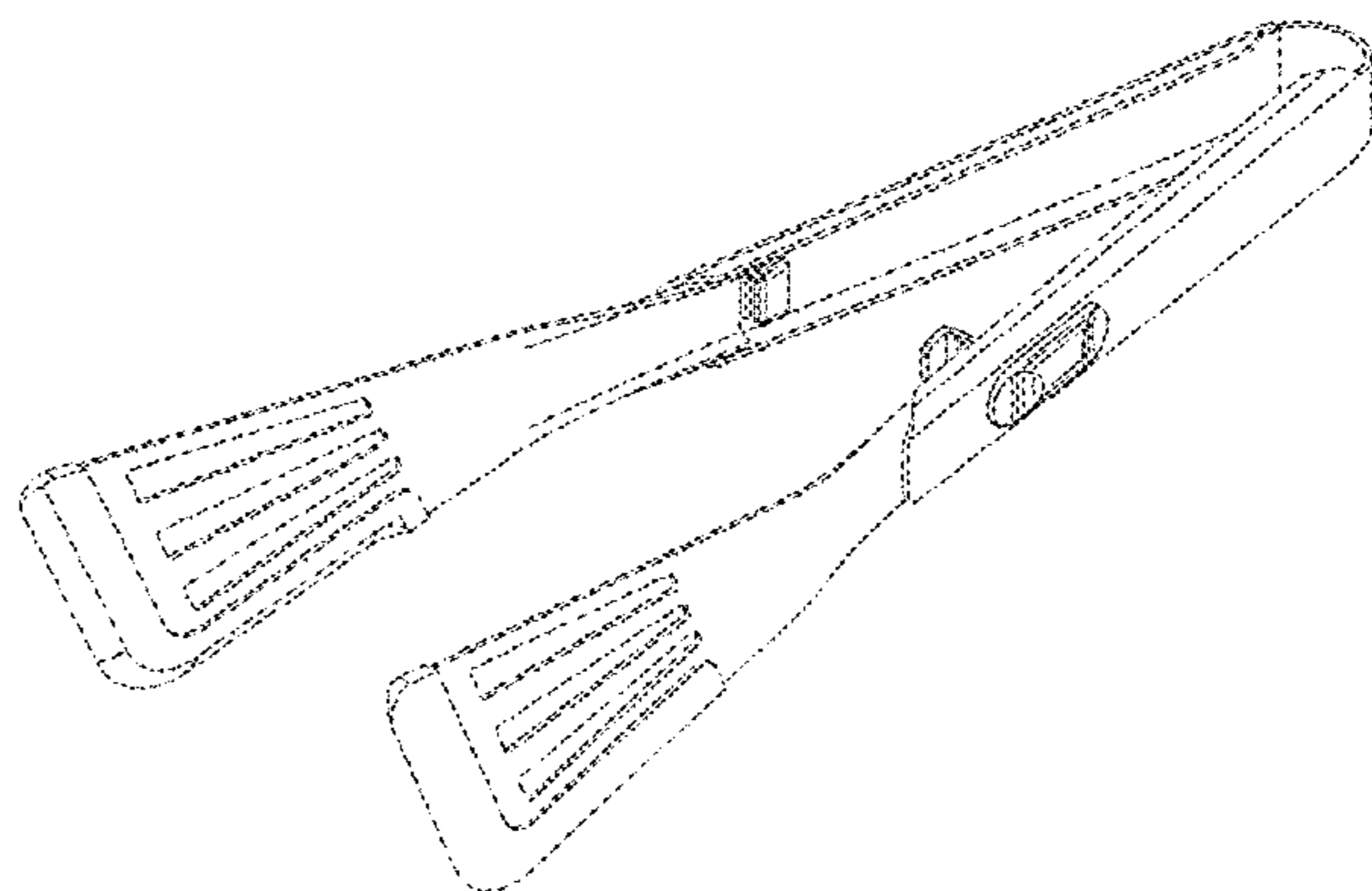
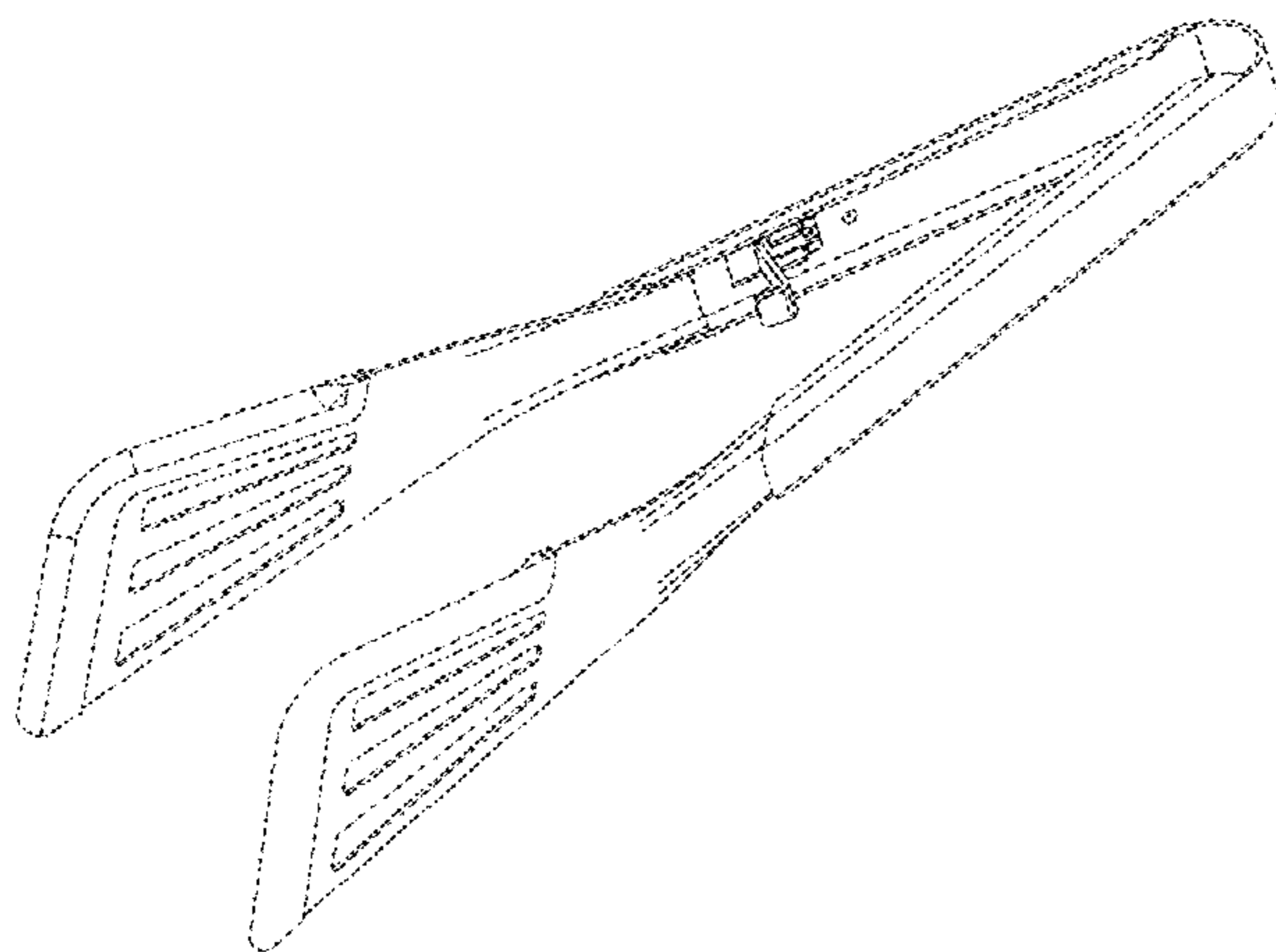
(57) **CLAIM**

The ornamental design for a locking mechanism, as shown and described.

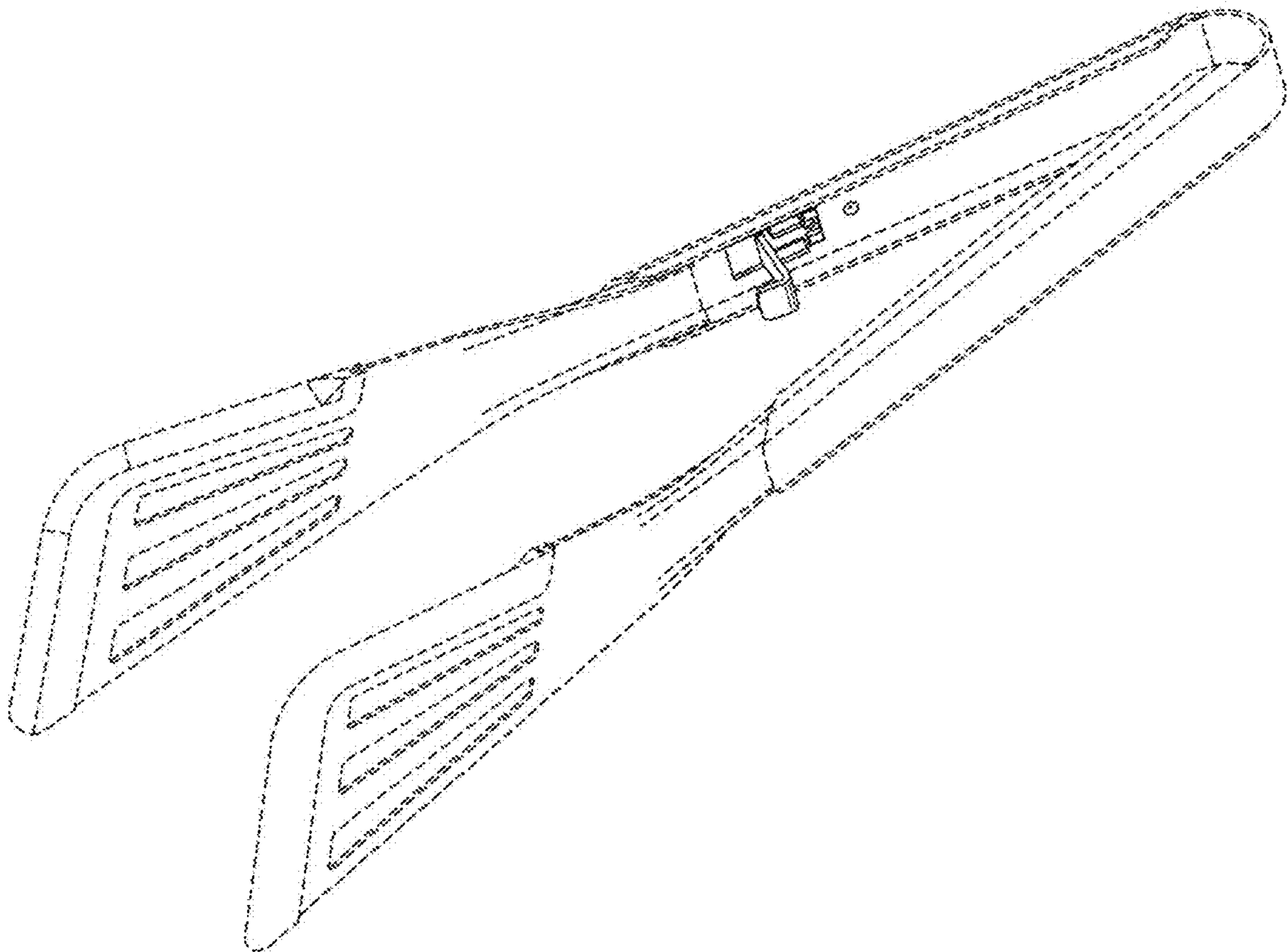
DESCRIPTION

1. Locking mechanism
1.1 : Perspective
1.2 : Perspective
1.3 : Right
1.4 : Left
1.5 : Top
1.6 : Bottom
1.7 : Back
1.8 : Front
1.9 : Perspective view in closed configuration
1.10 : Side view in closed configuration
The parts shown in broken lines depict the environment of the new design and do not form part of the claimed design.

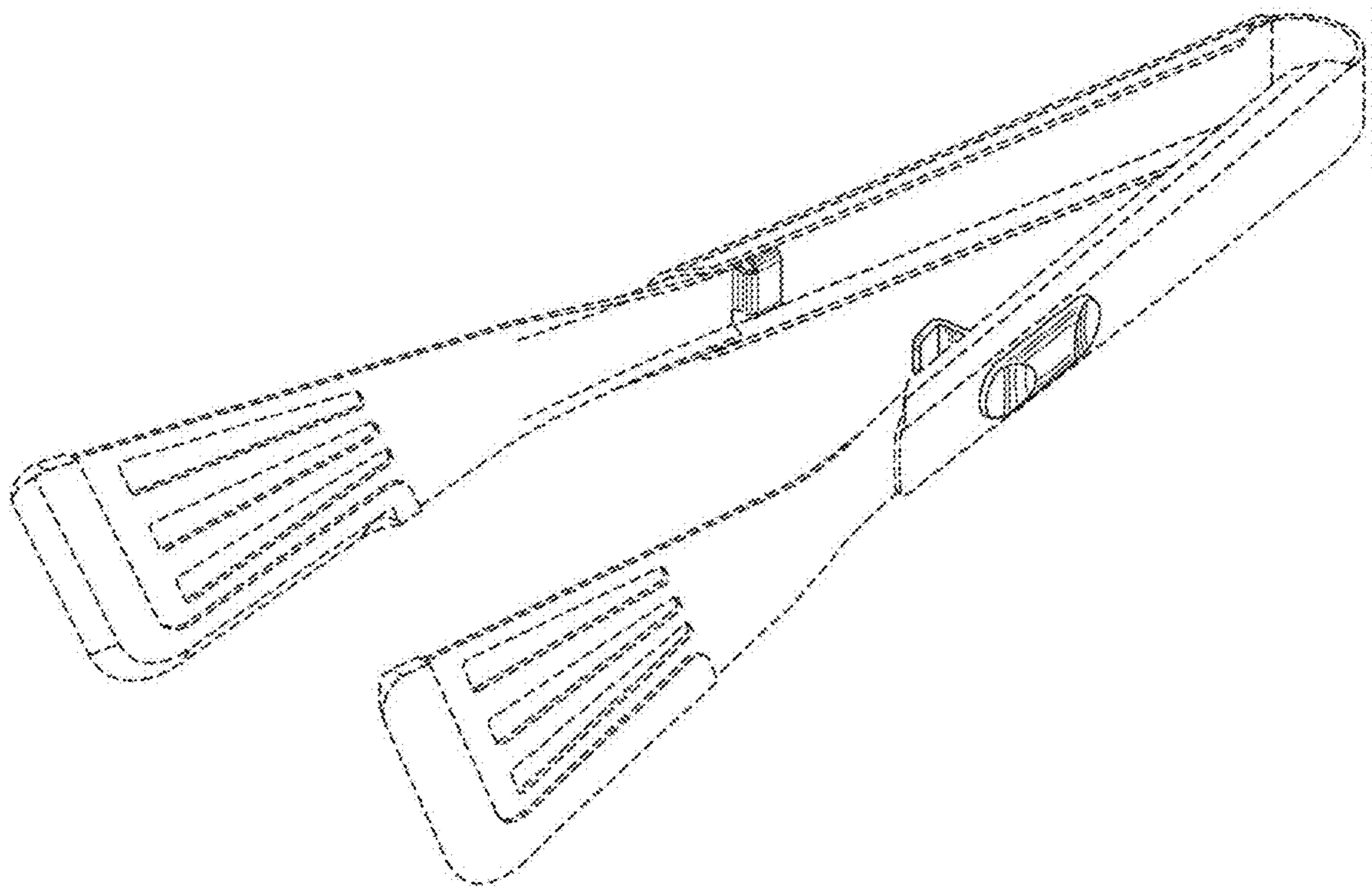
1 Claim, 10 Drawing Sheets

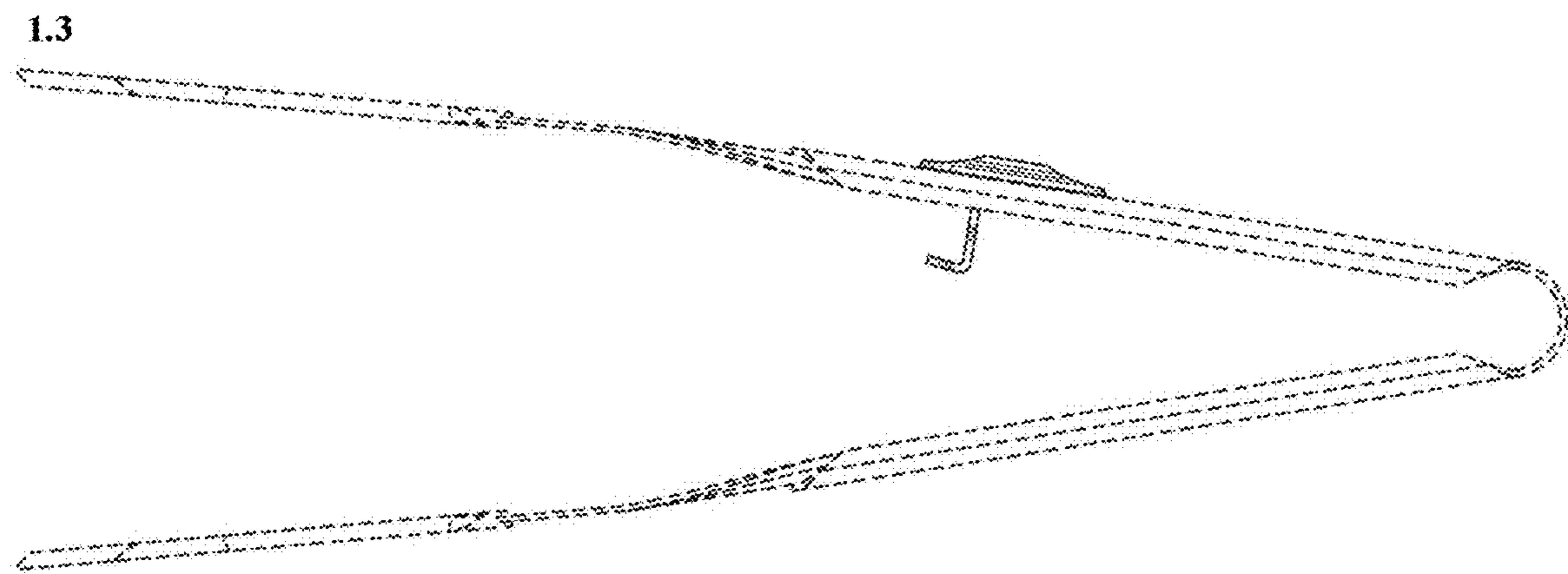


1.1

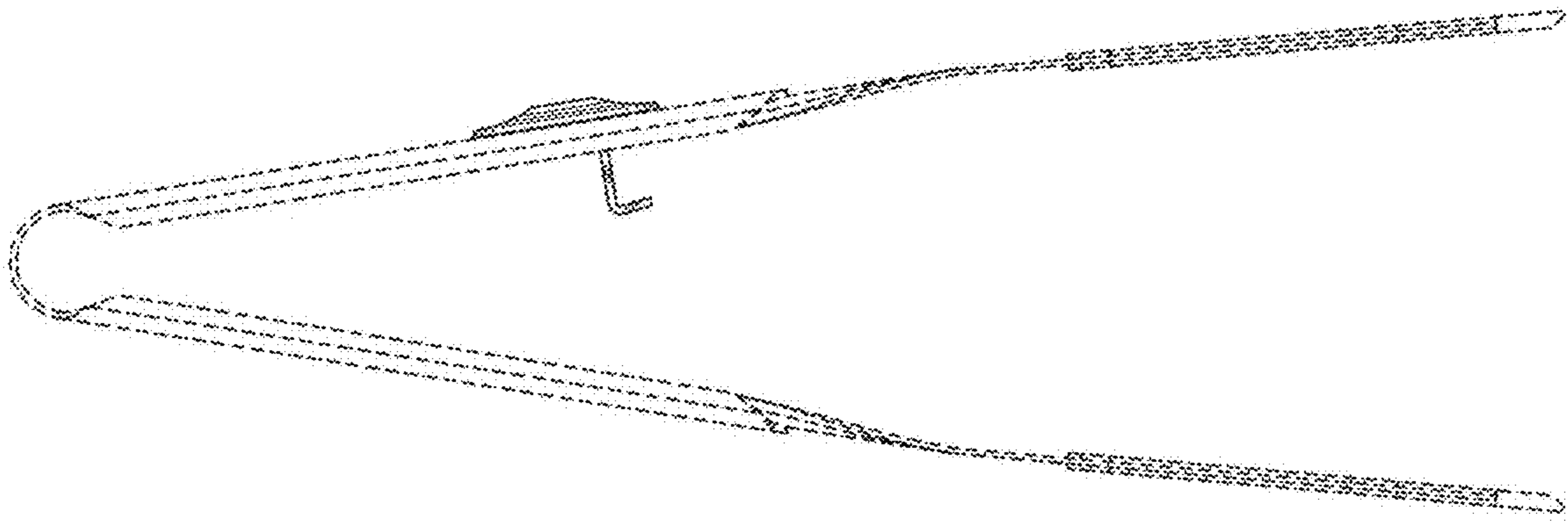


1.2

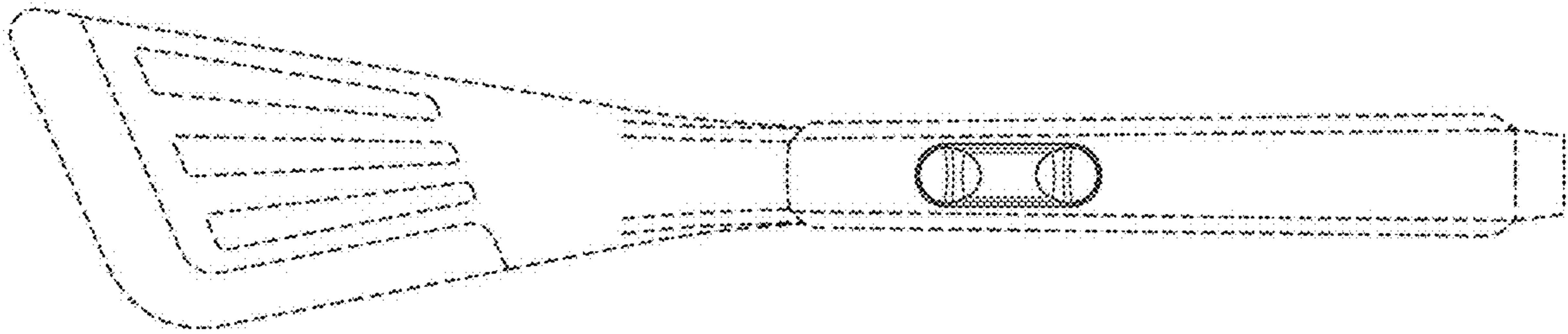




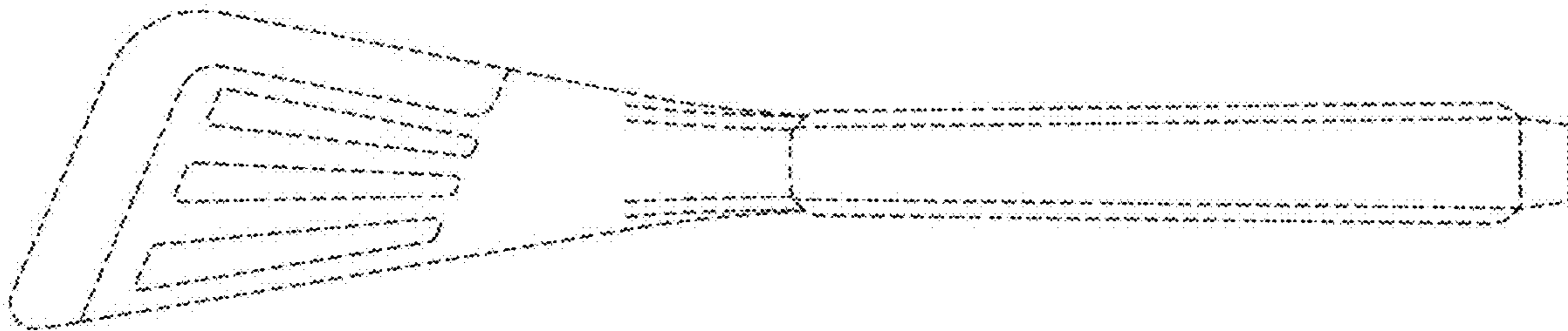
1.4



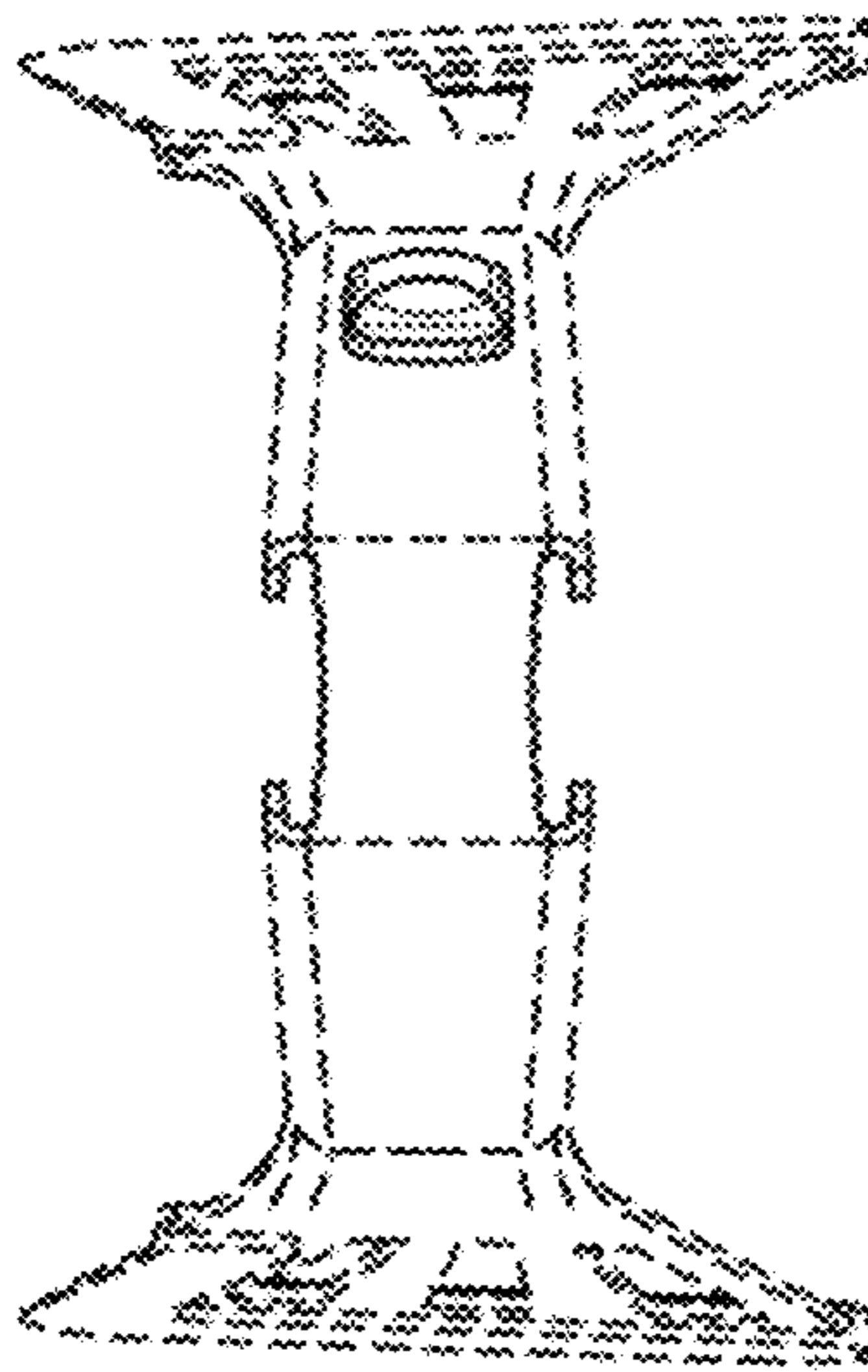
1.5



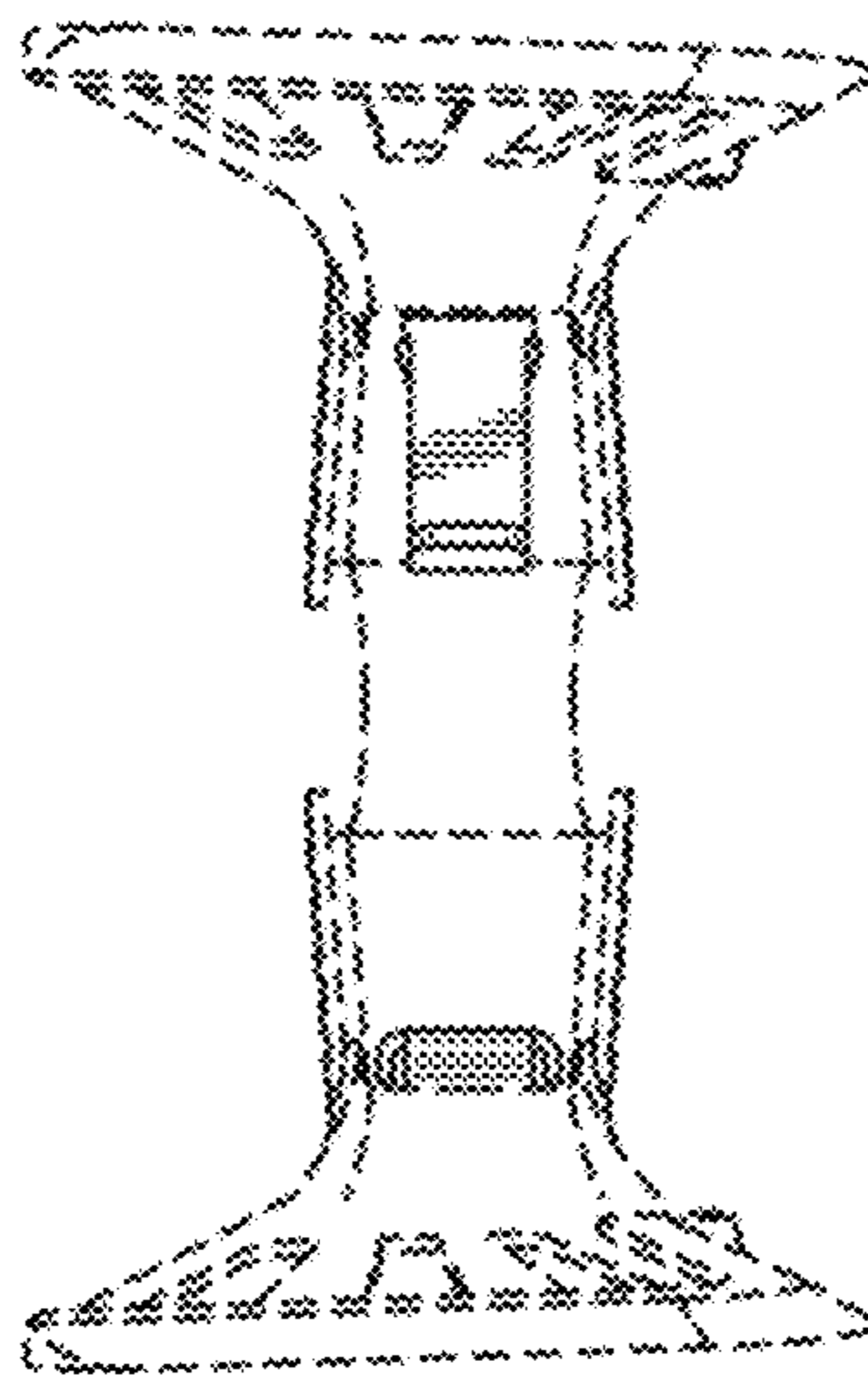
1.6



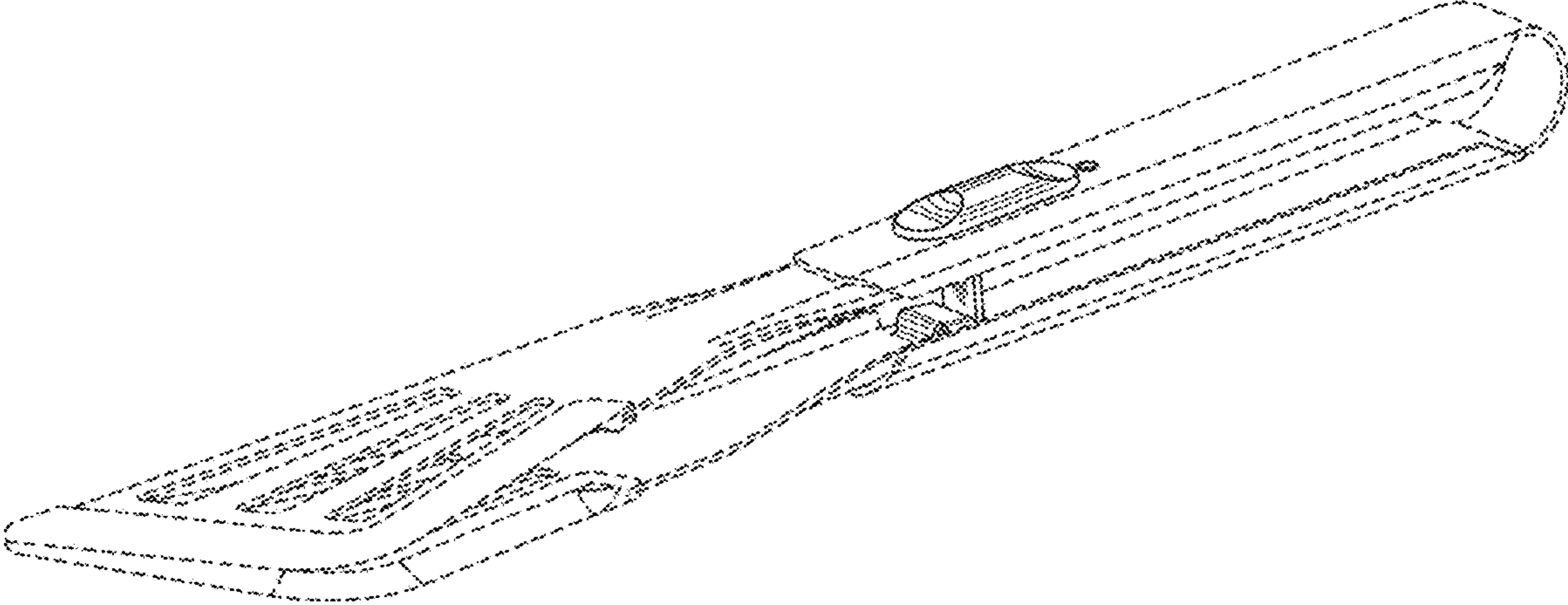
1.7



1.8



1.9



1.10

