



US00D814891S

(12) **United States Design Patent** (10) **Patent No.:** **US D814,891 S**
Gonzalez et al. (45) **Date of Patent:** **** Apr. 10, 2018**

(54) **FOOD TONGS HANDLE**

Primary Examiner — Terry A Wallace

(71) Applicant: **All-Clad Metalcrafters LLC**,
Canonsburg, PA (US)

(74) *Attorney, Agent, or Firm* — The Webb Law Firm

(72) Inventors: **Carlos Gonzalez**, Sunnyside, NY (US);
Mauricio Issa, Rego Park, NY (US);
Marisol Rodriguez, Brooklyn, NY
(US); **Anthony J. Baxter**, Upper
Montclair, NJ (US)

(57) **CLAIM**

The ornamental design for a food tongs handle, as shown and described.

(73) Assignee: **All-Clad Metalcrafters LLC**,
Canonsburg, PA (US)

DESCRIPTION

(**) Term: **15 Years**

FIG. 1 is an upper perspective view of a food tongs handle showing our new design according to a first embodiment of the invention;

(21) Appl. No.: **29/586,643**

FIG. 2 is a top view thereof;

(22) Filed: **Dec. 6, 2016**

FIG. 3 is a bottom view thereof;

(51) **LOC (11) Cl.** **07-06**

FIG. 4 is a right side elevation view thereof;

(52) **U.S. Cl.**
USPC **D7/686**

FIG. 5 is a left side elevation view thereof;

(58) **Field of Classification Search**
USPC D7/368, 669–671, 680–696, 393, 395
CPC A47J 43/283; A47J 43/288; A47G 21/10;
A47G 21/00; A47G 21/02; A47G 21/06;
A47G 21/103; A47G 21/106
See application file for complete search history.

FIG. 6 is a front elevation view thereof;

FIG. 7 is a rear elevation view thereof;

FIG. 8 is an upper perspective view of a food tongs handle showing our new design according to a second embodiment of the invention;

FIG. 9 is a top view thereof;

FIG. 10 is an upper perspective view of a food tongs handle showing our new design according to a third embodiment of the invention; and,

FIG. 11 is a top view thereof.

The broken line showings in FIGS. 1-11 are for the purpose of illustrating environmental structure and form no part of the claimed design.

The dashed-dotted line showings of FIGS. 1-9 illustrate a boundary between the claimed design and environmental features.

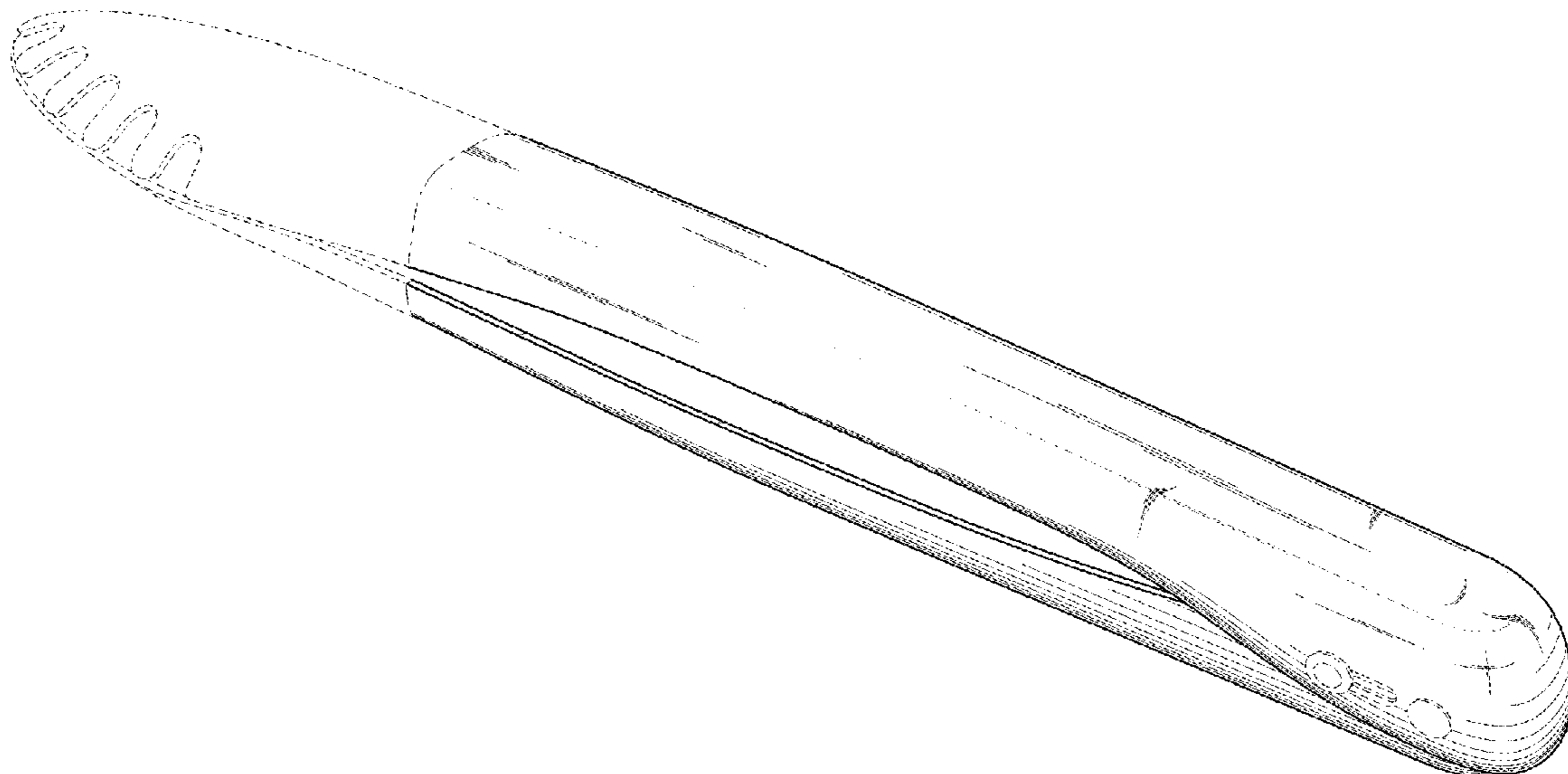
(56) **References Cited**

U.S. PATENT DOCUMENTS

D406,734 S * 3/1999 Doherty D7/686
D533,035 S * 12/2006 Bodum D7/686
D664,816 S * 8/2012 Difante D7/686

* cited by examiner

1 Claim, 6 Drawing Sheets



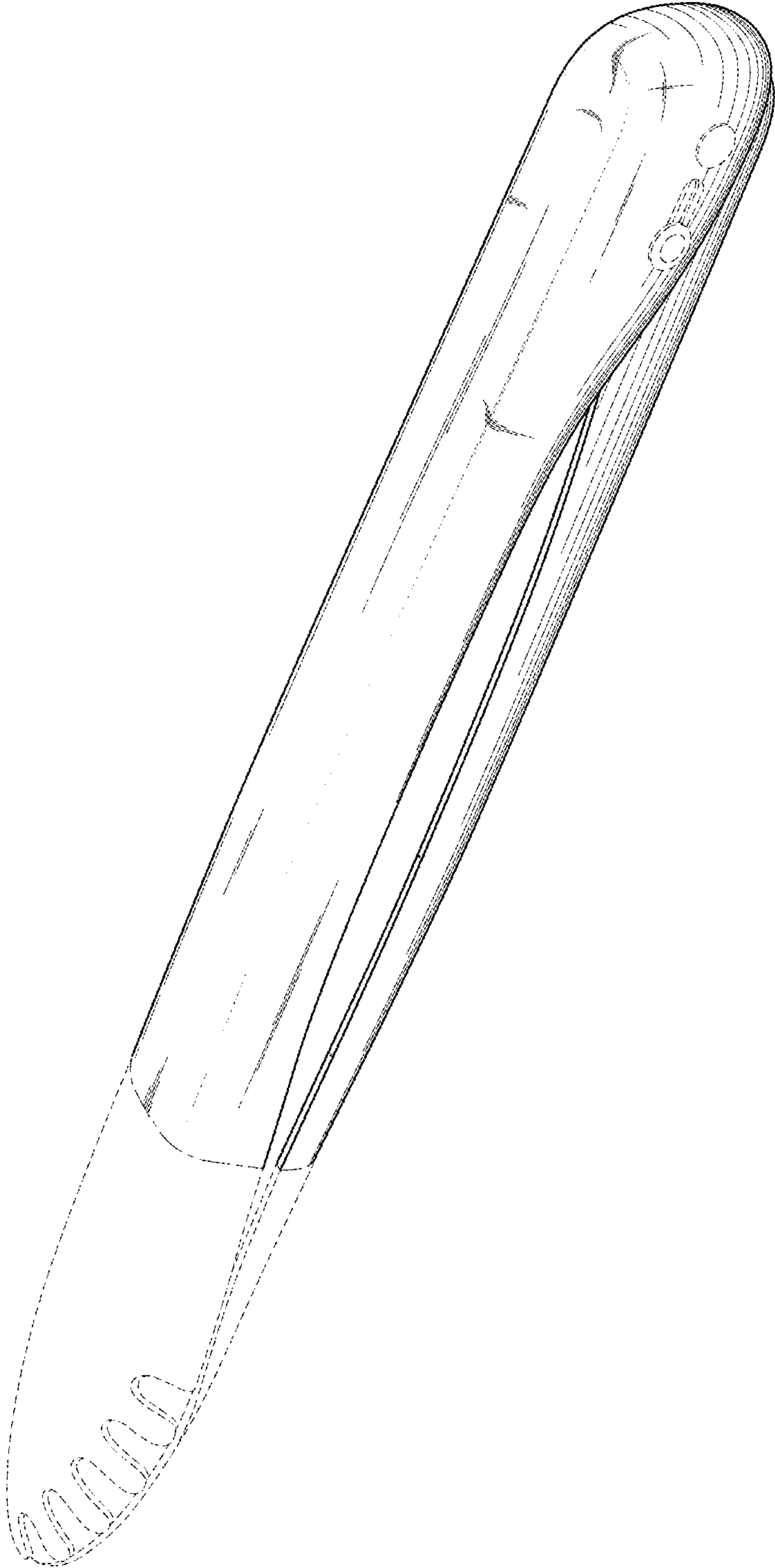


FIG. 1

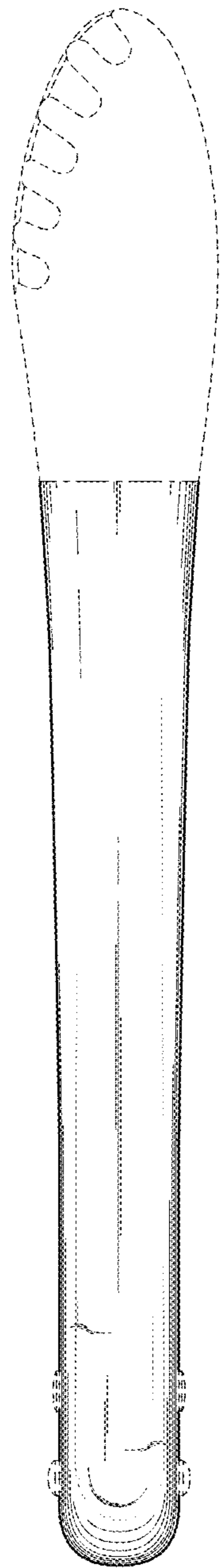


FIG. 2

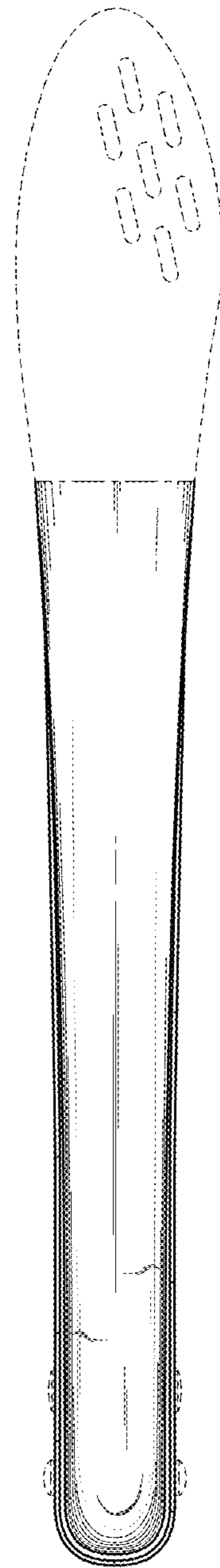


FIG. 3

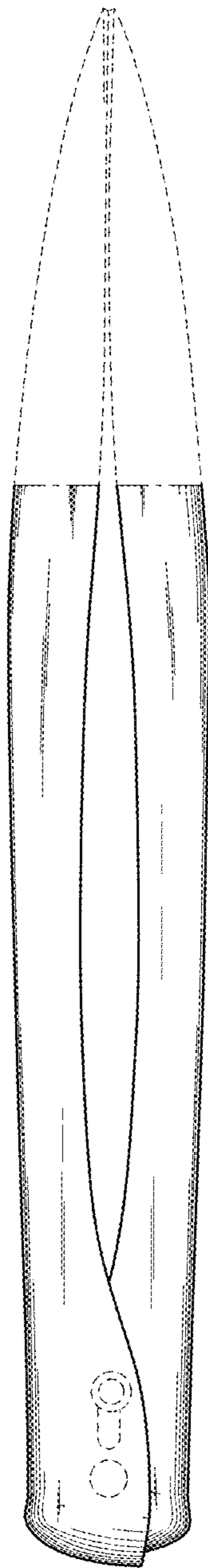


FIG. 4

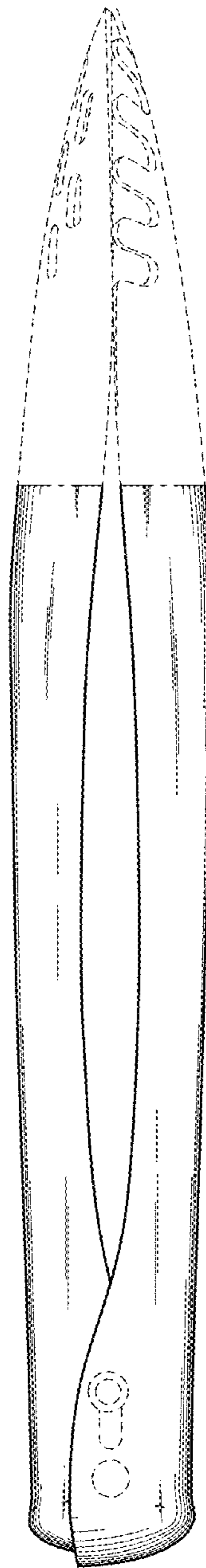


FIG. 5

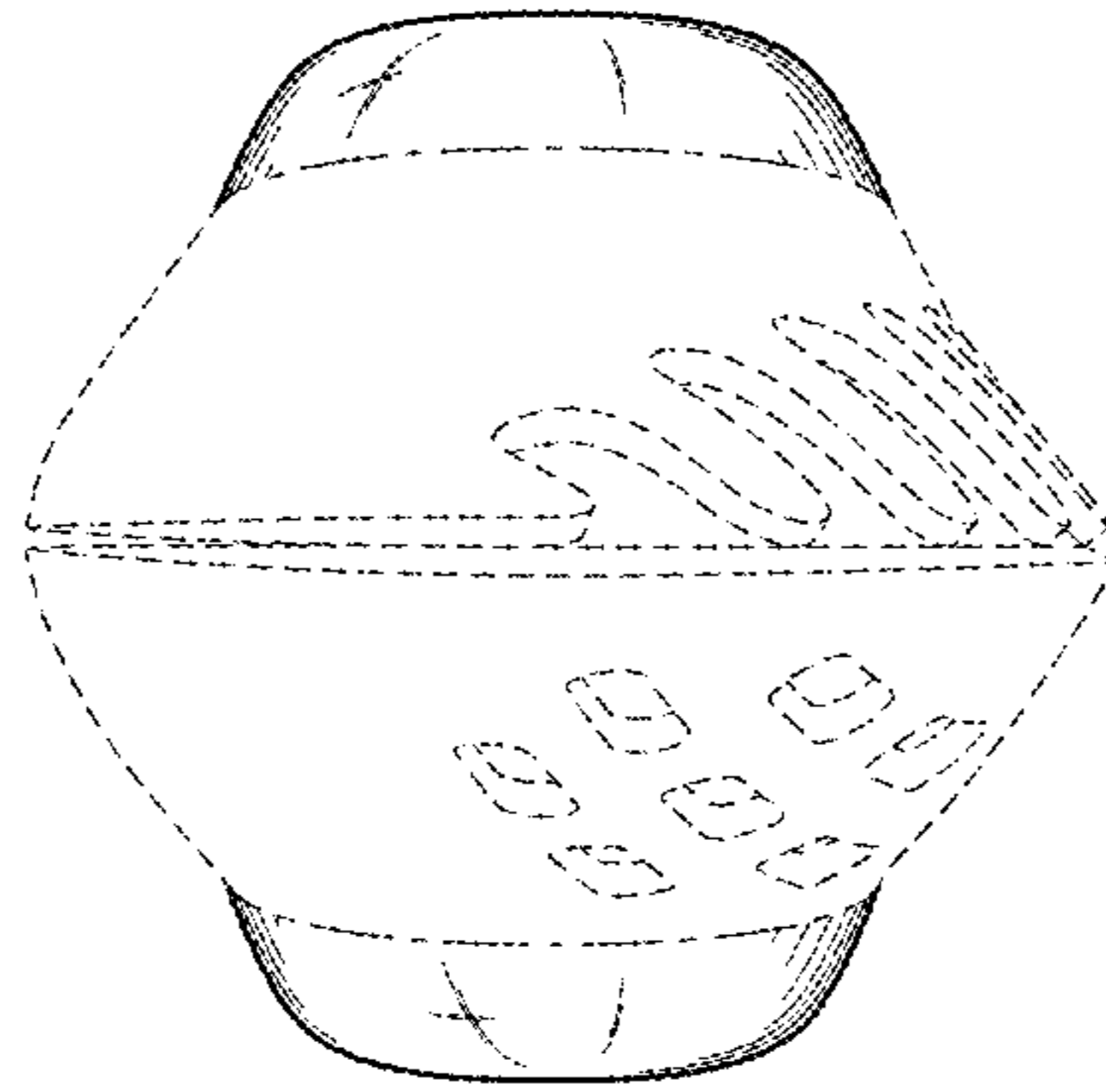


FIG. 6

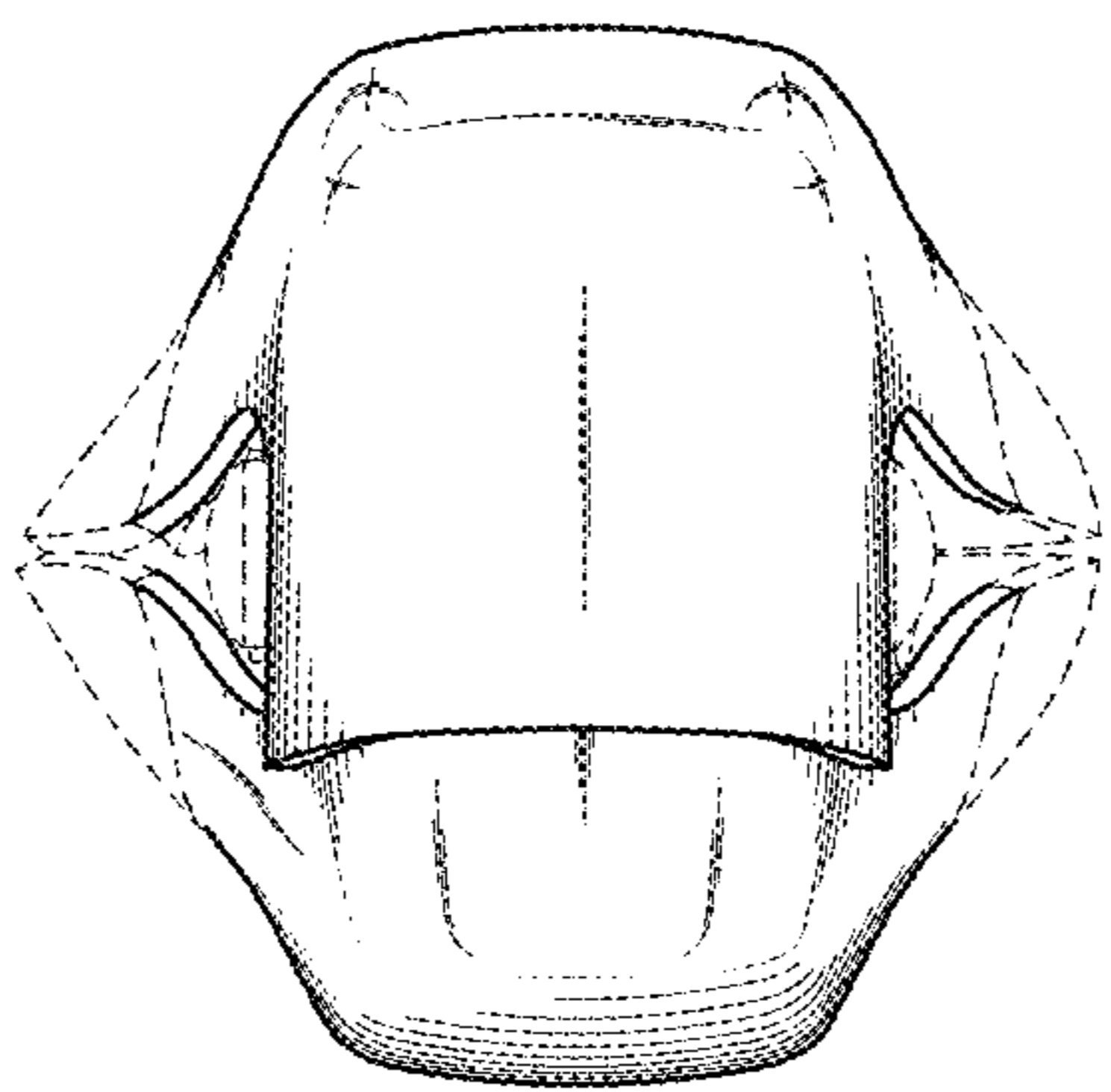


FIG. 7

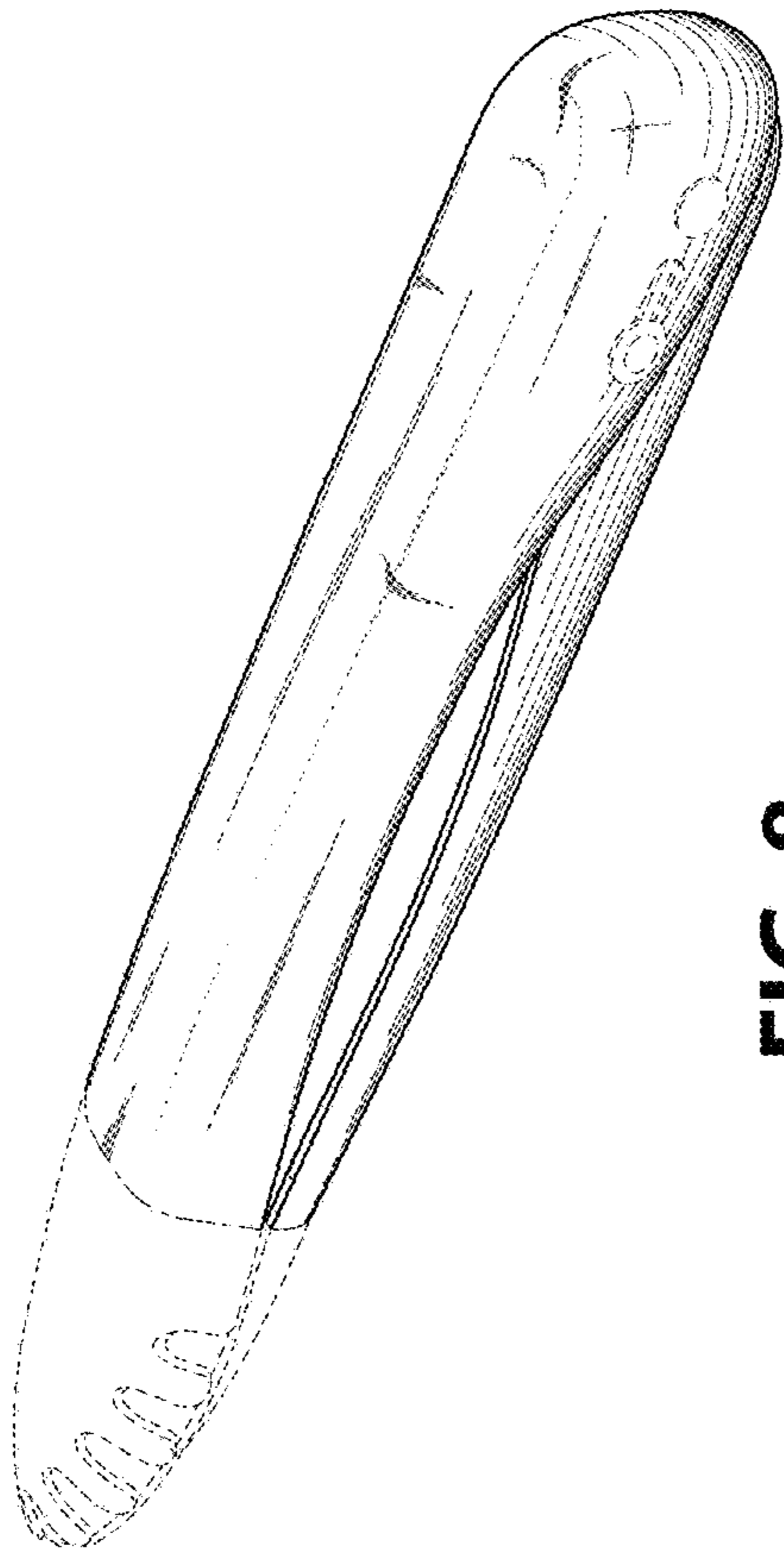


FIG. 8

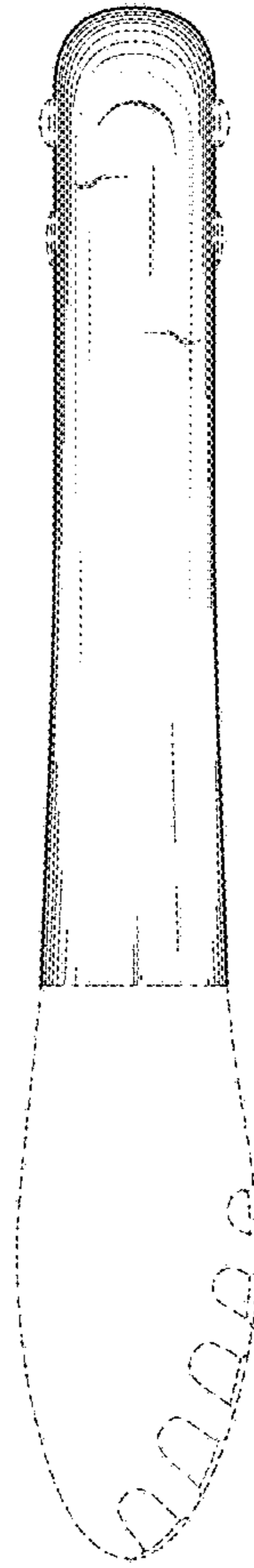


FIG. 9

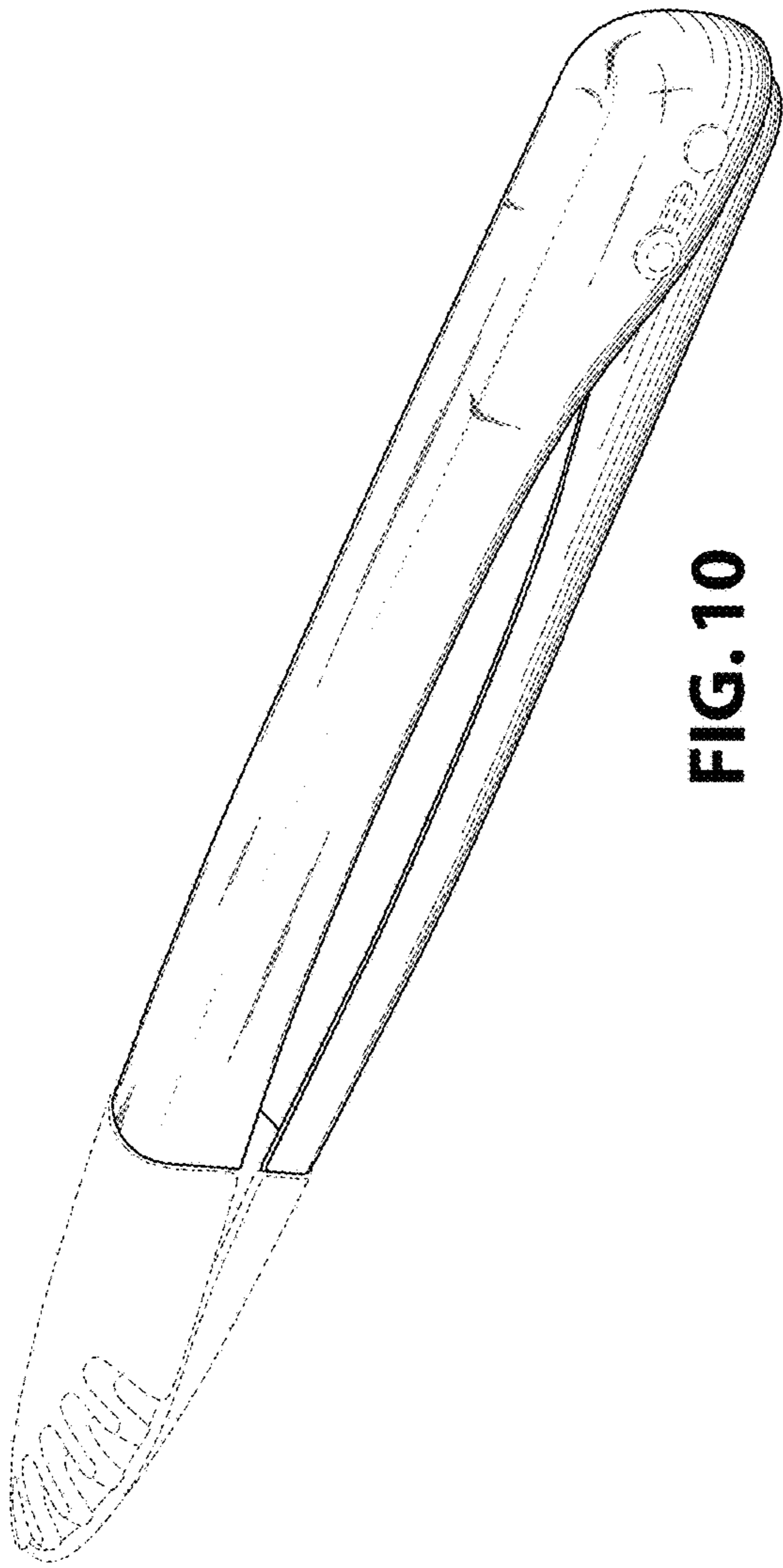


FIG. 10

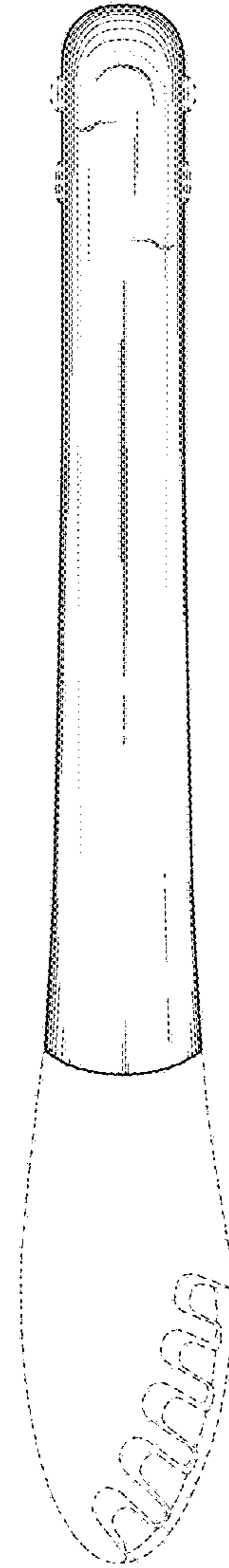


FIG. 11