



US00D814890S

(12) **United States Design Patent**  
**Schultz**

(10) **Patent No.:** **US D814,890 S**  
(45) **Date of Patent:** **\*\* Apr. 10, 2018**

(54) **ROTATABLE GRILLING UTENSIL**

(71) Applicant: **Keith A. Schultz**, Leechburg, PA (US)

(72) Inventor: **Keith A. Schultz**, Leechburg, PA (US)

(\*\*) Term: **15 Years**

(21) Appl. No.: **29/594,823**

(22) Filed: **Feb. 22, 2017**

(51) **LOC (11) Cl.** ..... **07-04**

(52) **U.S. Cl.**  
USPC ..... **D7/683**

(58) **Field of Classification Search**  
None  
See application file for complete search history.

(56) **References Cited**

U.S. PATENT DOCUMENTS

2,191,226	A *	2/1940	Clem	.....	A47J 37/0694
					294/50
3,745,910	A *	7/1973	Delamater	.....	A47J 37/0694
					99/419
4,517,885	A *	5/1985	Thompson	.....	A47J 37/0694
					99/421 HV
5,117,558	A *	6/1992	Hull	.....	A47J 43/18
					30/323
5,355,778	A *	10/1994	Mayfield	.....	A47J 43/18
					220/485
D496,835	S *	10/2004	Scott	.....	D7/683
2010/0282096	A1 *	11/2010	Fletcher	.....	A47J 33/00
					99/421 A

\* cited by examiner

*Primary Examiner* — Terry A Wallace

(74) *Attorney, Agent, or Firm* — Gary P. Topolosky

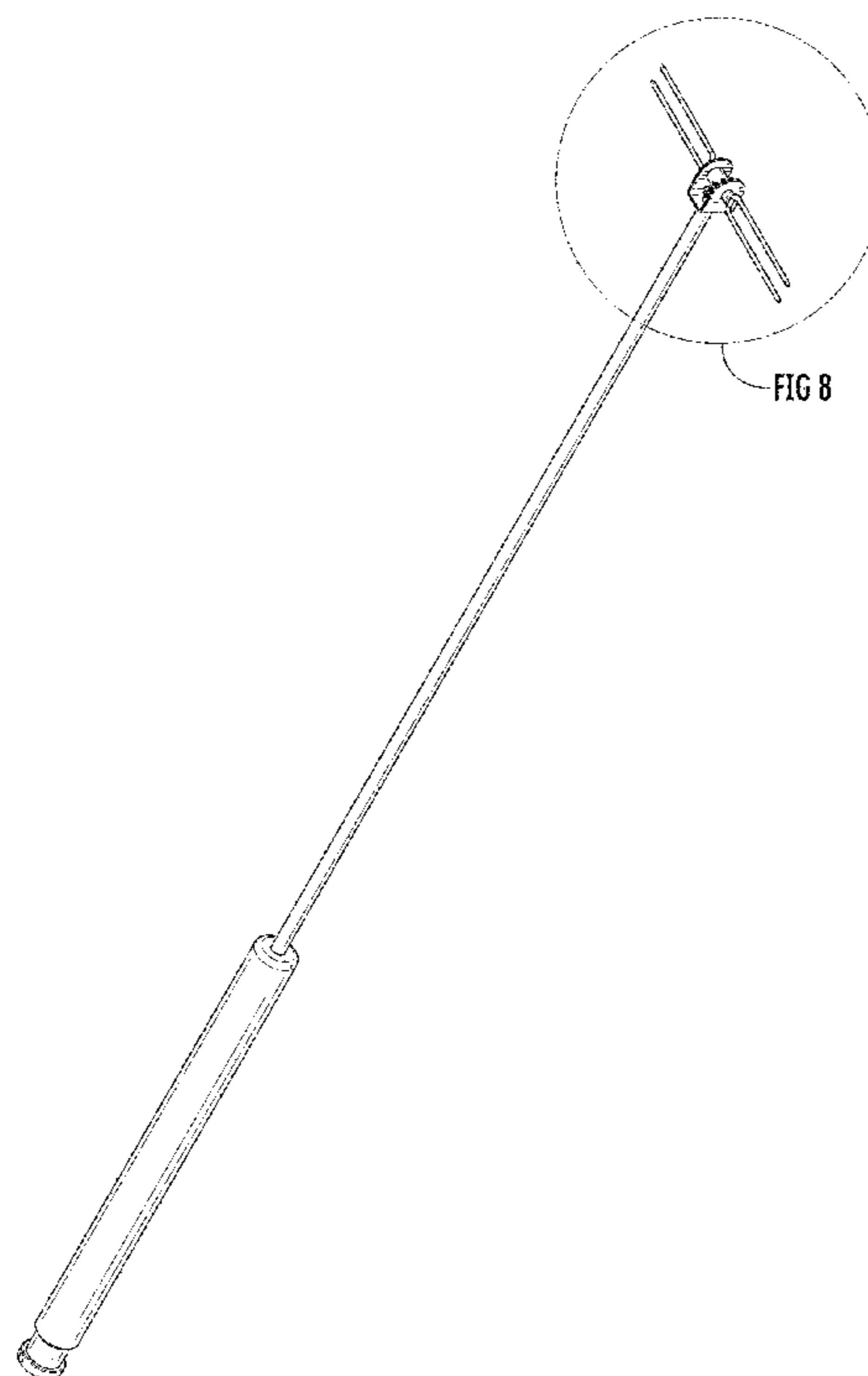
(57) **CLAIM**

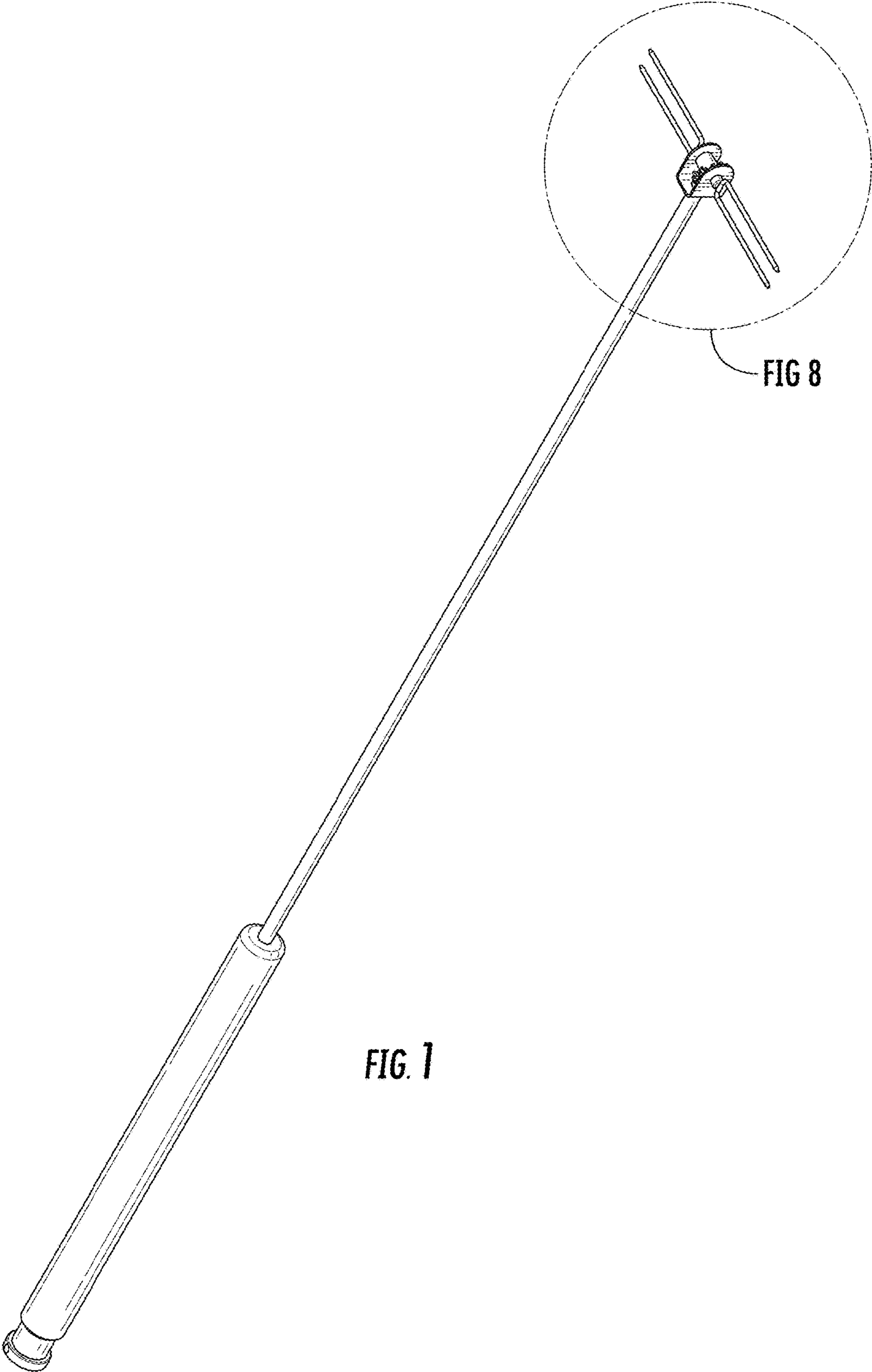
The ornamental design for the rotatable grilling utensil, as shown and described.

**DESCRIPTION**

FIG. 1 is a left upper perspective view of the rotatable grilling utensil of this invention showing my new design; FIG. 2 is a top plan view of the rotatable grilling utensil from FIG. 1; FIG. 3 is a bottom plan view of the same rotatable grilling utensil design, or opposite view from that shown in FIG. 2; FIG. 4 is a left side view of the same rotatable grilling utensil design; FIG. 5 is a right side view of the same rotatable grilling utensil design, or opposite view from that shown in FIG. 4; FIG. 6 is a top axial view of the same rotatable grilling utensil design; FIG. 7 is a bottom axial view of the same rotatable grilling utensil design; and, FIG. 8 is an enlarged close up, perspective of the circled area from FIG. 1 emphasizing the rotatable head with opposed fork tines per the grilling utensil design of this invention.

**1 Claim, 5 Drawing Sheets**





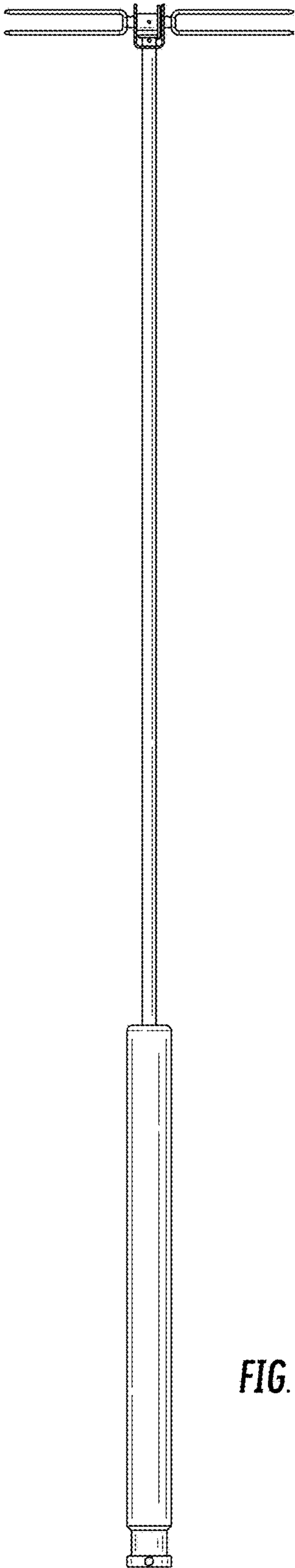


FIG. 2

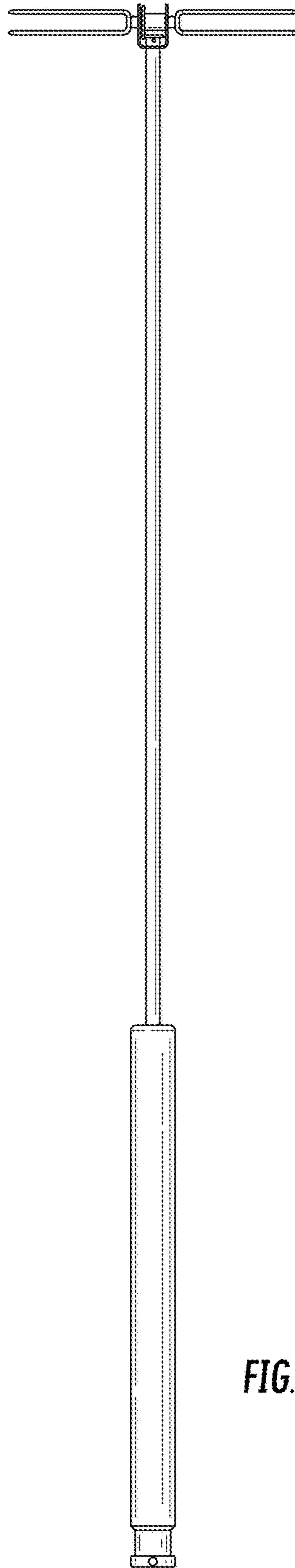


FIG. 3

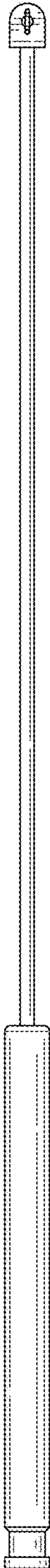


FIG. 4

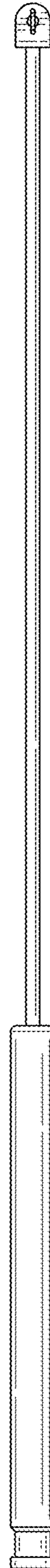
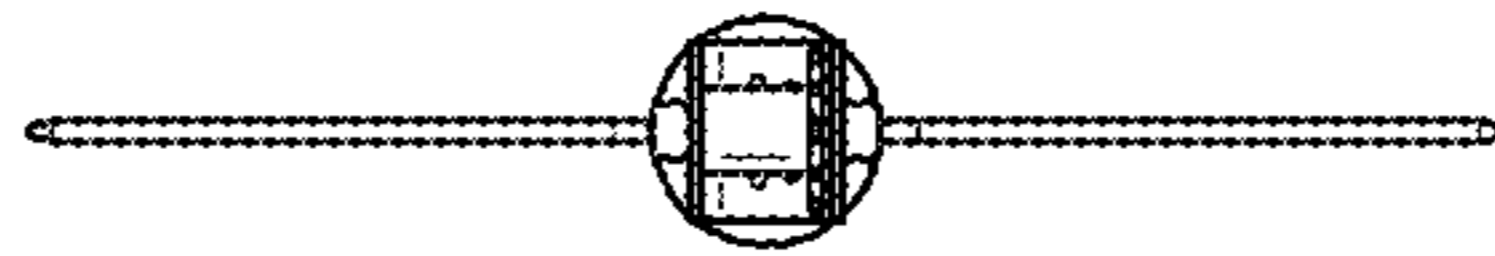
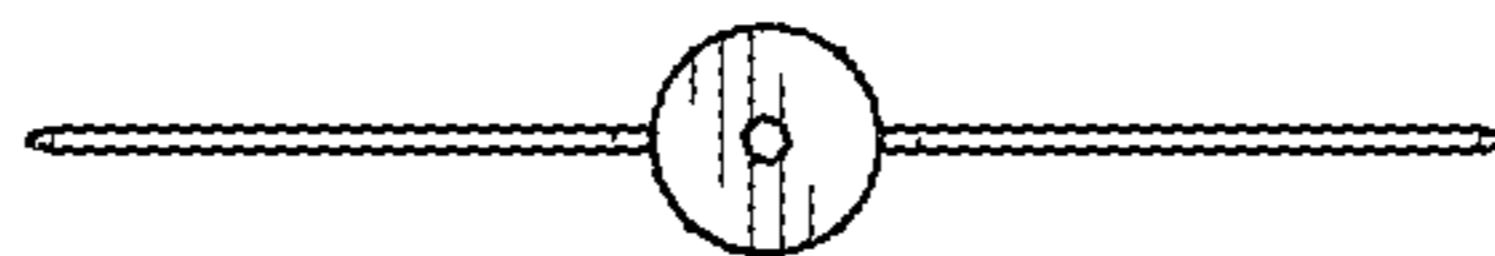


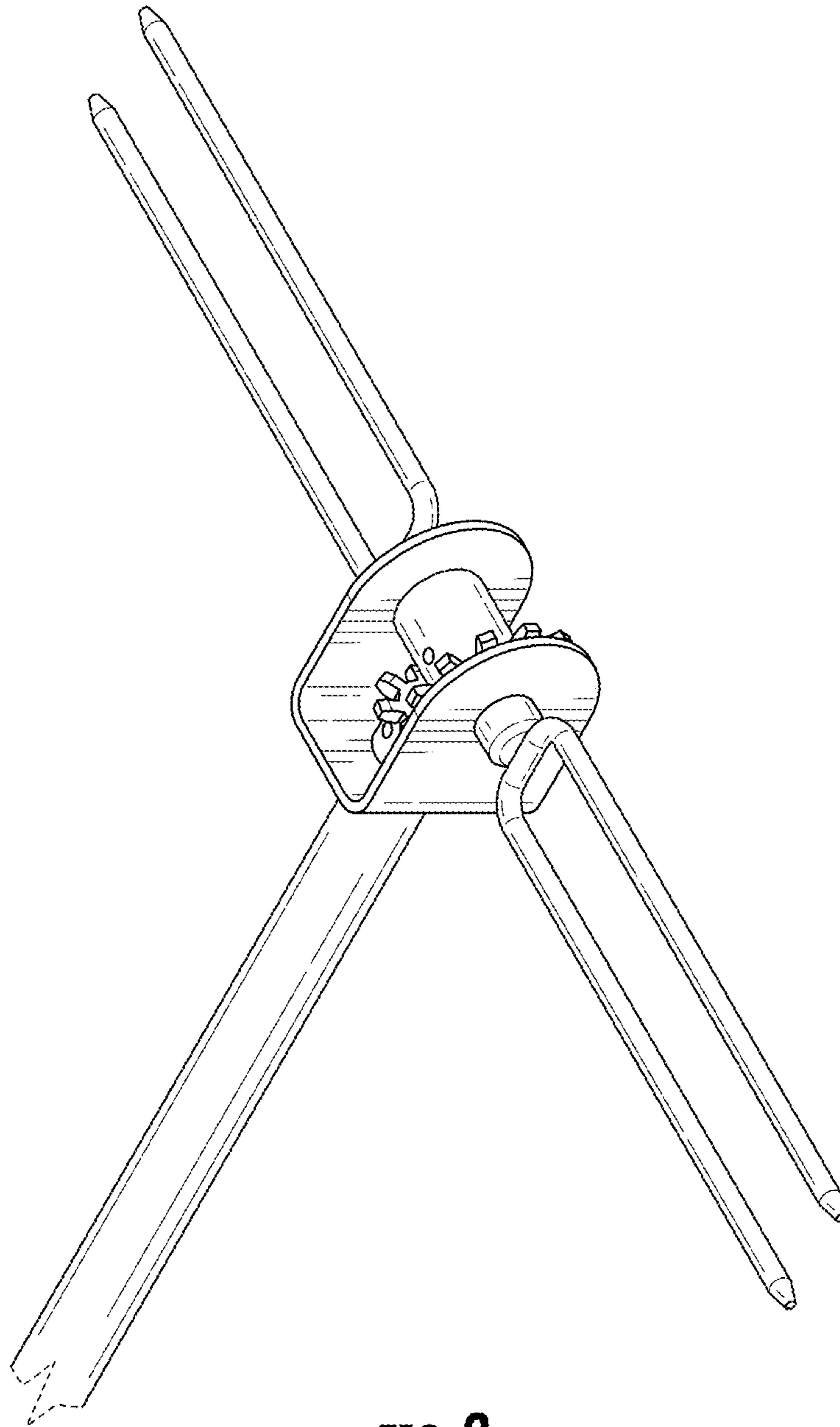
FIG. 5



**FIG. 6**



**FIG. 7**



**FIG. 8**