



US00D814889S

(12) **United States Design Patent**
Carabelos

(10) **Patent No.:** **US D814,889 S**
(45) **Date of Patent:** **** Apr. 10, 2018**

(54) **HERB GRINDER**

- (71) Applicant: **Elevated Mechanics, LLC**, Thornton, CO (US)
- (72) Inventor: **Jeff Carabelos**, Thornton, CO (US)
- (73) Assignee: **Elevated Mechanics, LLC**, Thornton, CO (US)
- (**) Term: **15 Years**
- (21) Appl. No.: **29/620,567**
- (22) Filed: **Jul. 5, 2016**

Related U.S. Application Data

- (63) Continuation-in-part of application No. 14/688,805, filed on Apr. 16, 2015.
- (51) **LOC (11) Cl.** **07-04**
- (52) **U.S. Cl.**
USPC **D7/679; D27/195**
- (58) **Field of Classification Search**
USPC ... D7/300.1, 372-374, 381, 383, 384, 401.1, D7/590-600, 679; D8/33, 34, 98, 99, D8/102, 104-106; D9/500, 503, 504, D9/516, 549, 556, 559, 574, 575; D27/102, 110, 126, 127, 129, 172, 175, D27/184, 186, 194, 195; D99/1
CPC .. A47J 42/00; A47J 42/04; A47J 42/14; A47J 42/18; A47J 42/24; A47J 42/34; A47J 42/42; A47J 42/46; A47J 43/06; A47J 43/25; A47J 43/255; A24C 5/40
See application file for complete search history.

(56) **References Cited**

U.S. PATENT DOCUMENTS

- D37,581 S * 10/1905 Ellis D27/110
 - D111,073 S * 8/1938 Fischer D8/99
- (Continued)

OTHER PUBLICATIONS

Elevated Mechanics. Introducing the omni by elevated mechanics. 2017 [earliest online date], [site visited Sep. 21, 2017 and Oct. 6, 2017]. Available from Internet, <URL:https://www.elevatedmechanics.com/>. (Year: 2017).*

(Continued)

Primary Examiner — Robert M. Spear
Assistant Examiner — Darcey E Heflin
 (74) *Attorney, Agent, or Firm* — Marsh Fischmann & Breyfogle LLP

(57) **CLAIM**

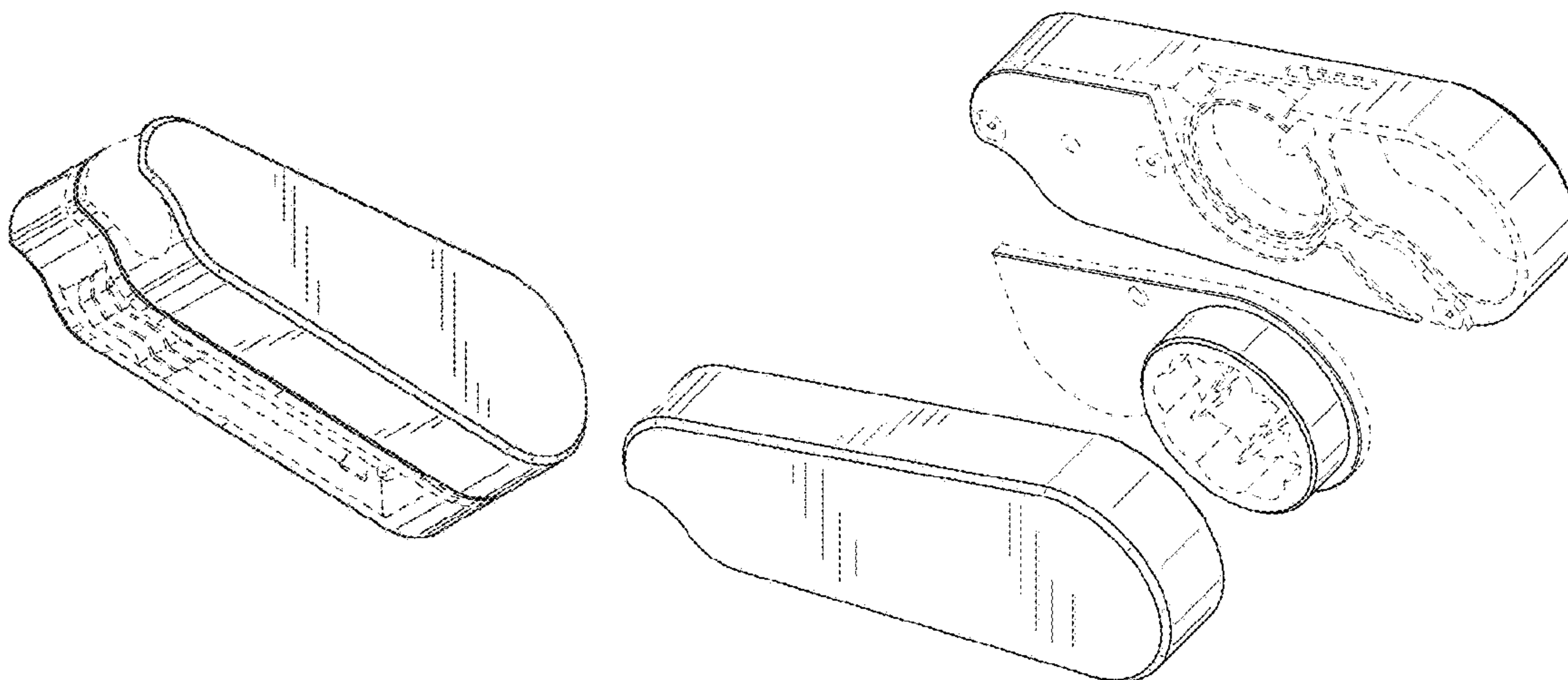
The ornamental design for an herb grinder, as shown and described.

DESCRIPTION

FIG. 1 is a front-bottom-left perspective view of an herb grinder;
 FIG. 2 is a front view of the herb grinder of FIG. 1;
 FIG. 3 is a rear view of the herb grinder of FIG. 1;
 FIG. 4 is a right view of the herb grinder of FIG. 1;
 FIG. 5 is a left view of the herb grinder of FIG. 1;
 FIG. 6 is a top view of the herb grinder of FIG. 1;
 FIG. 7 is a bottom view of the herb grinder of FIG. 1;
 FIG. 8 is a front-bottom-left perspective view of the herb grinder of FIG. 1 with the tools extended;
 FIG. 9 is a front-bottom-left perspective view of the herb grinder of FIG. 1 with the halves separated;
 FIG. 10 is a rear-top-left perspective view of the herb grinder of FIG. 1 with the halves separated; and
 FIG. 11 is a right-front-top perspective view of the herb grinder of FIG. 1 with the halves rotated with respect to each other in an alternate configuration; and
 FIG. 12 is a front-top-right perspective exploded view of the herb grinder of FIG. 1.

The claim is limited to the shaded surfaces only.
 The broken lines in the drawing indicate environmental structure and form no part of the design to be patented.

1 Claim, 9 Drawing Sheets



(56)

References Cited

U.S. PATENT DOCUMENTS

D166,900	S	*	6/1952	Arden	30/155
D175,363	S	*	8/1955	Polincovsky	D8/99
D220,999	S	*	6/1971	Poulin	27/2
D234,746	S	*	4/1975	Sloane	D8/98
D249,325	S	*	9/1978	Rollband	D8/99
D290,333	S	*	6/1987	Pashley	D8/107
D319,378	S	*	8/1991	Wilcox	D8/107
D321,120	S	*	10/1991	Huang	D8/98
D355,107	S	*	2/1995	Yoshimoto	D8/99
D413,499	S	*	9/1999	Anderson	D8/105
D428,789	S	*	8/2000	McHenry	D8/99
D446,436	S	*	8/2001	Christianson	D10/104.1
D602,328	S	*	10/2009	Medhurst	D8/105
D610,893	S	*	3/2010	Mudrick	D8/105
D611,320	S	*	3/2010	Jeandupeux	D8/105
D701,741	S	*	4/2014	Gringer	D8/99
D731,280	S	*	6/2015	Dahlberg	D8/99
D732,367	S	*	6/2015	Parker	D8/99
2016/0095473	A1	*	4/2016	Perucca	A47J 42/14 241/100

OTHER PUBLICATIONS

Youtube. Elevated mechanics—The Omni by Elevated Mechanics. Jul. 29, 2017 [earliest online date], [site visited Sep. 21, 2017]. Available from Internet, <URL:https://www.youtube.com/watch?v=ynkC7ODVONA>. (Year: 2017).*

Wordpress. Sublime Gadgets—The Omni 2.0—8-in-1 Deluxe Smoking Tool. Aug. 4, 2016 [earliest online date], [site visited Sep. 21, 2017]. Available from Internet, <URL:https://sublimegadgets.wordpress.com/2016/08/04/sublime-gadgets-the-omni-2-0-8-in-1-deluxe-smoking-tool/>. (Year: 2016).*

* cited by examiner

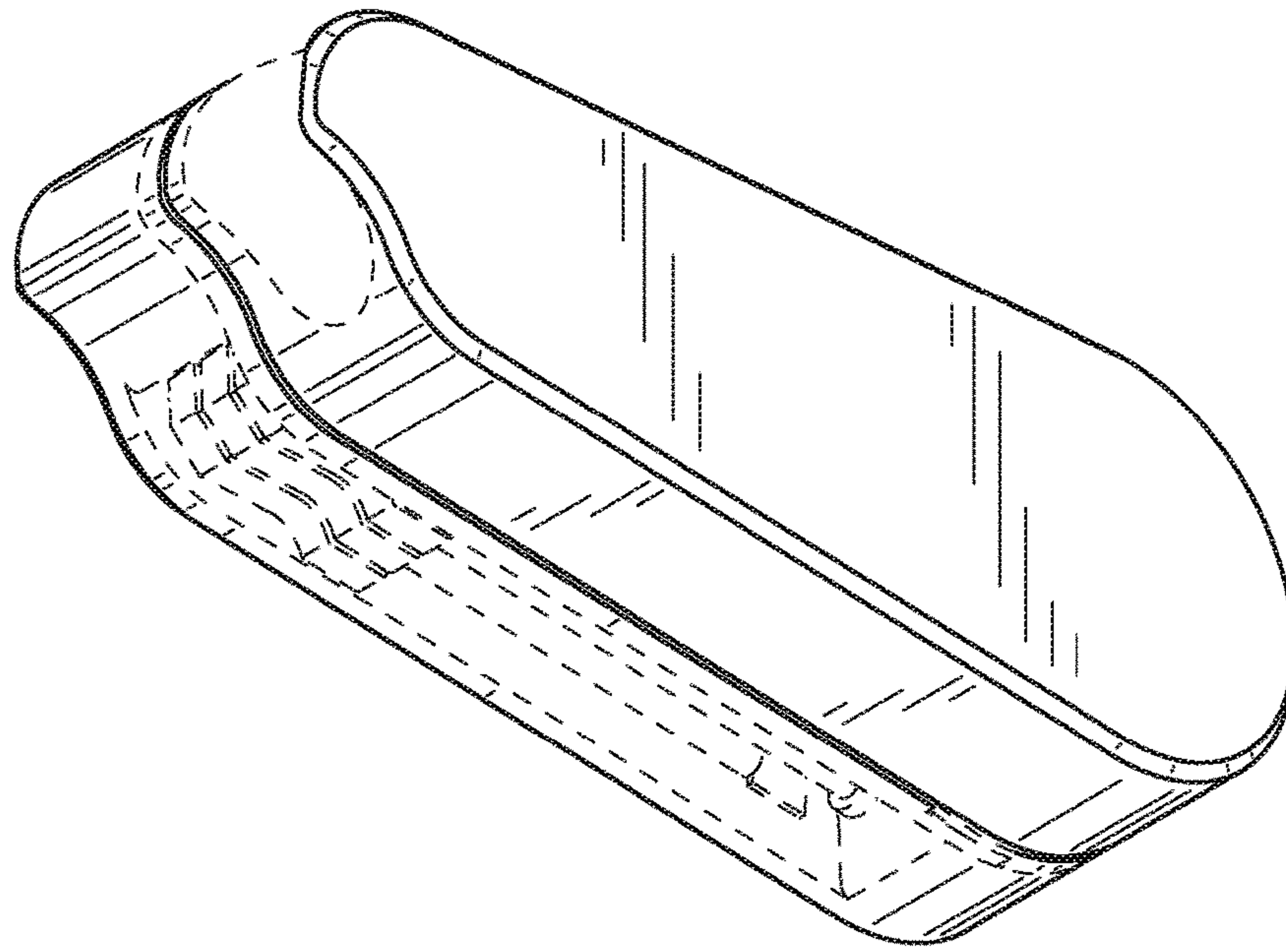


FIG. 1

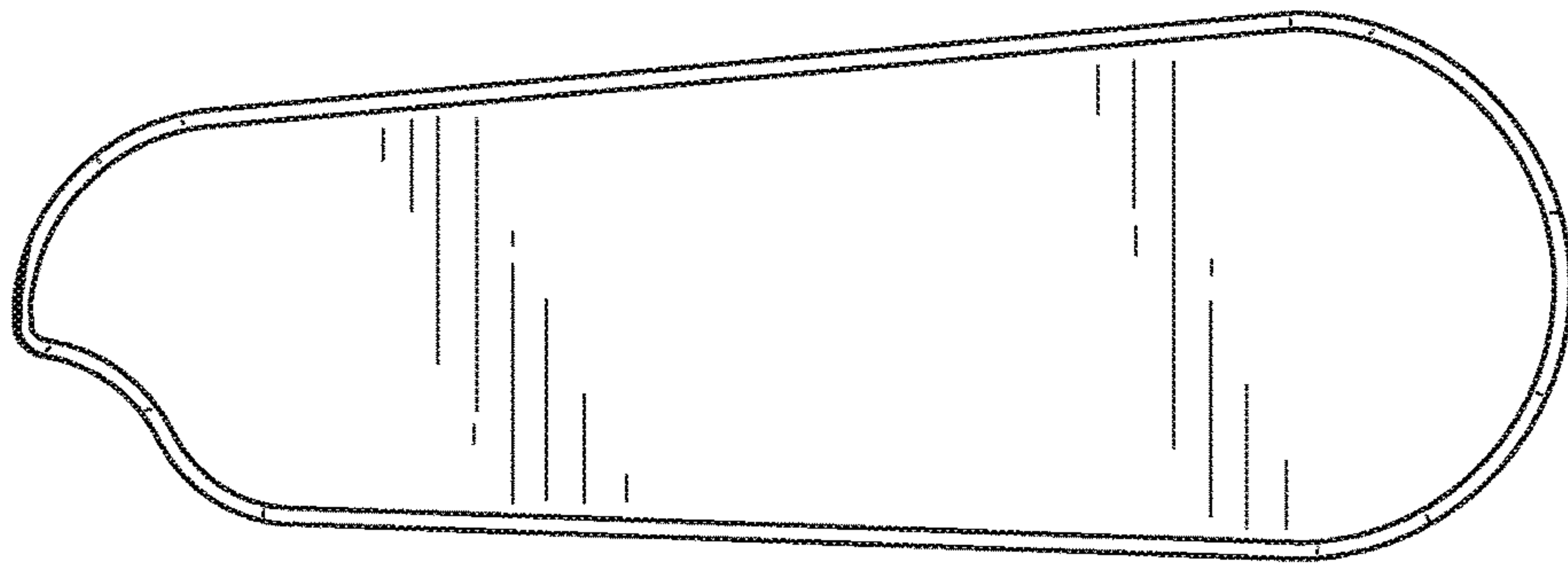


FIG. 2

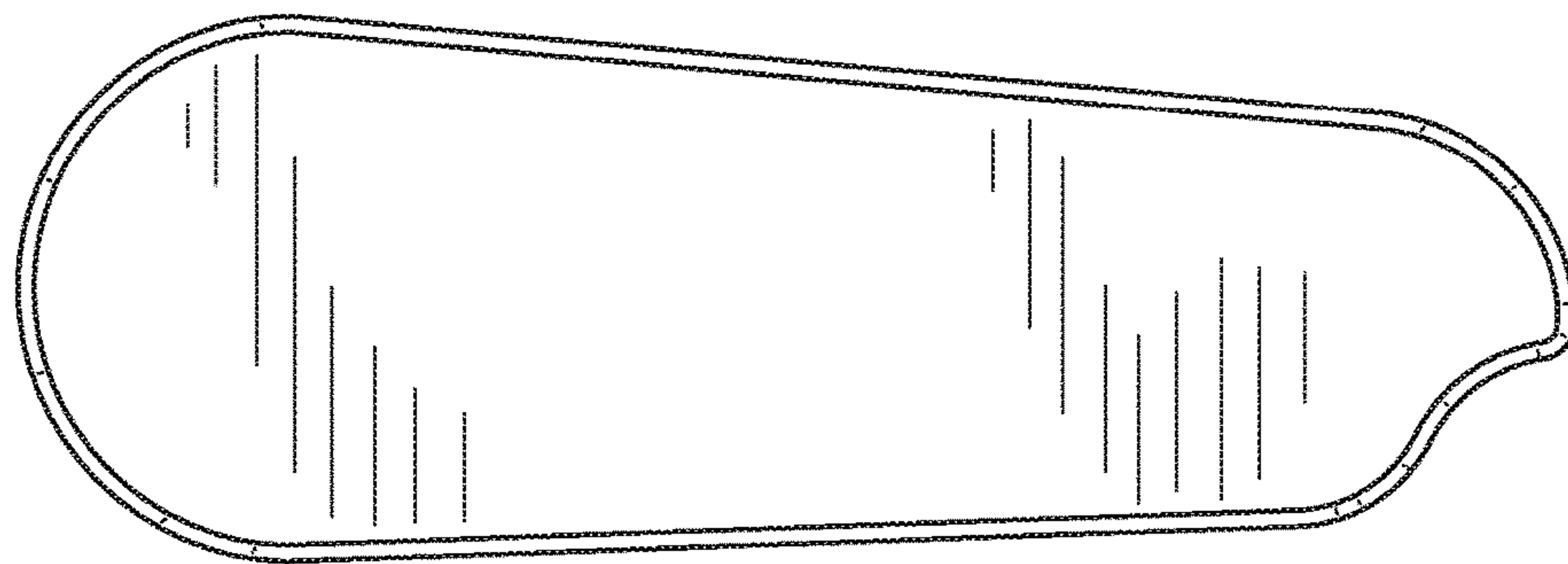


FIG. 3

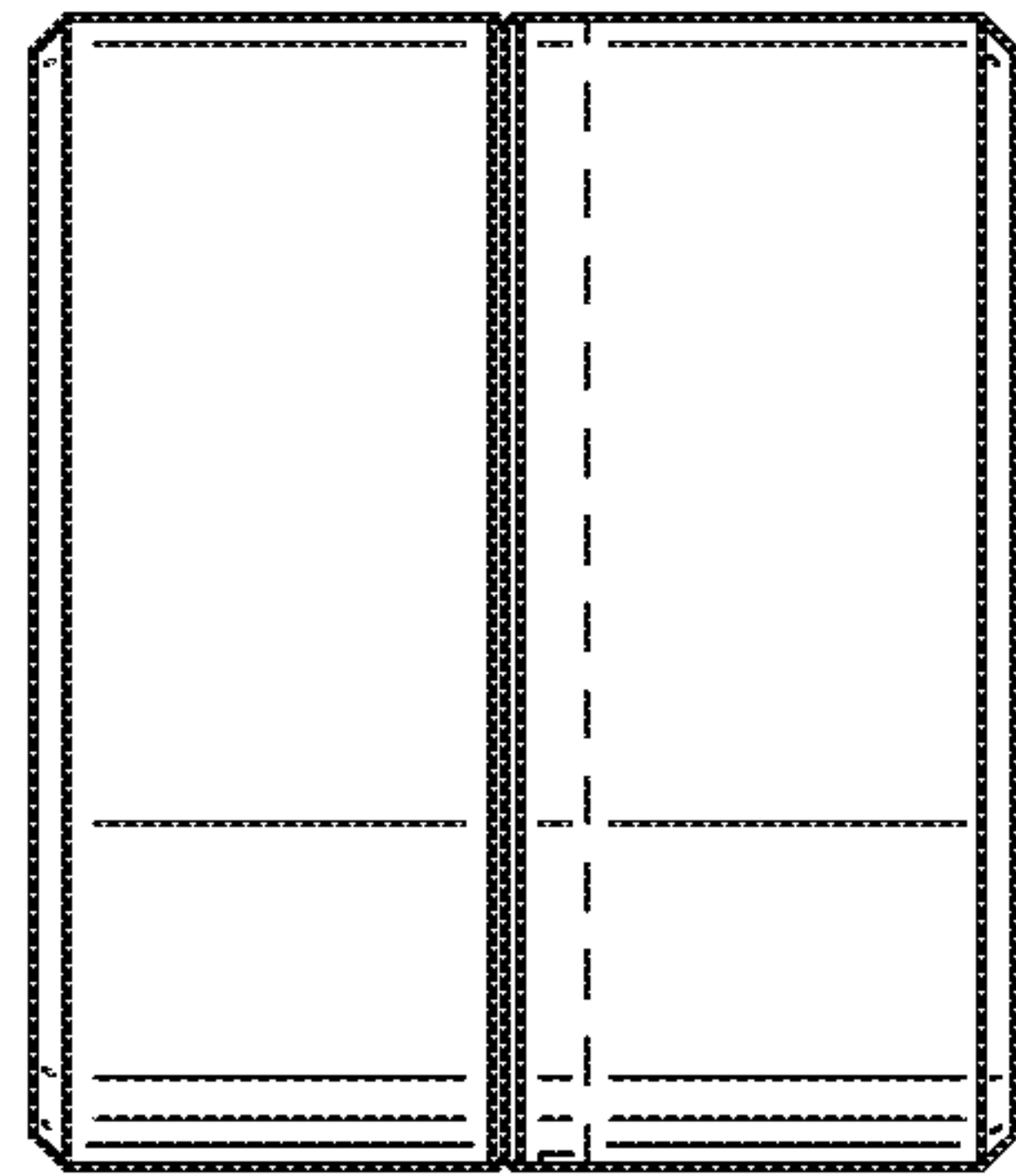


FIG. 4

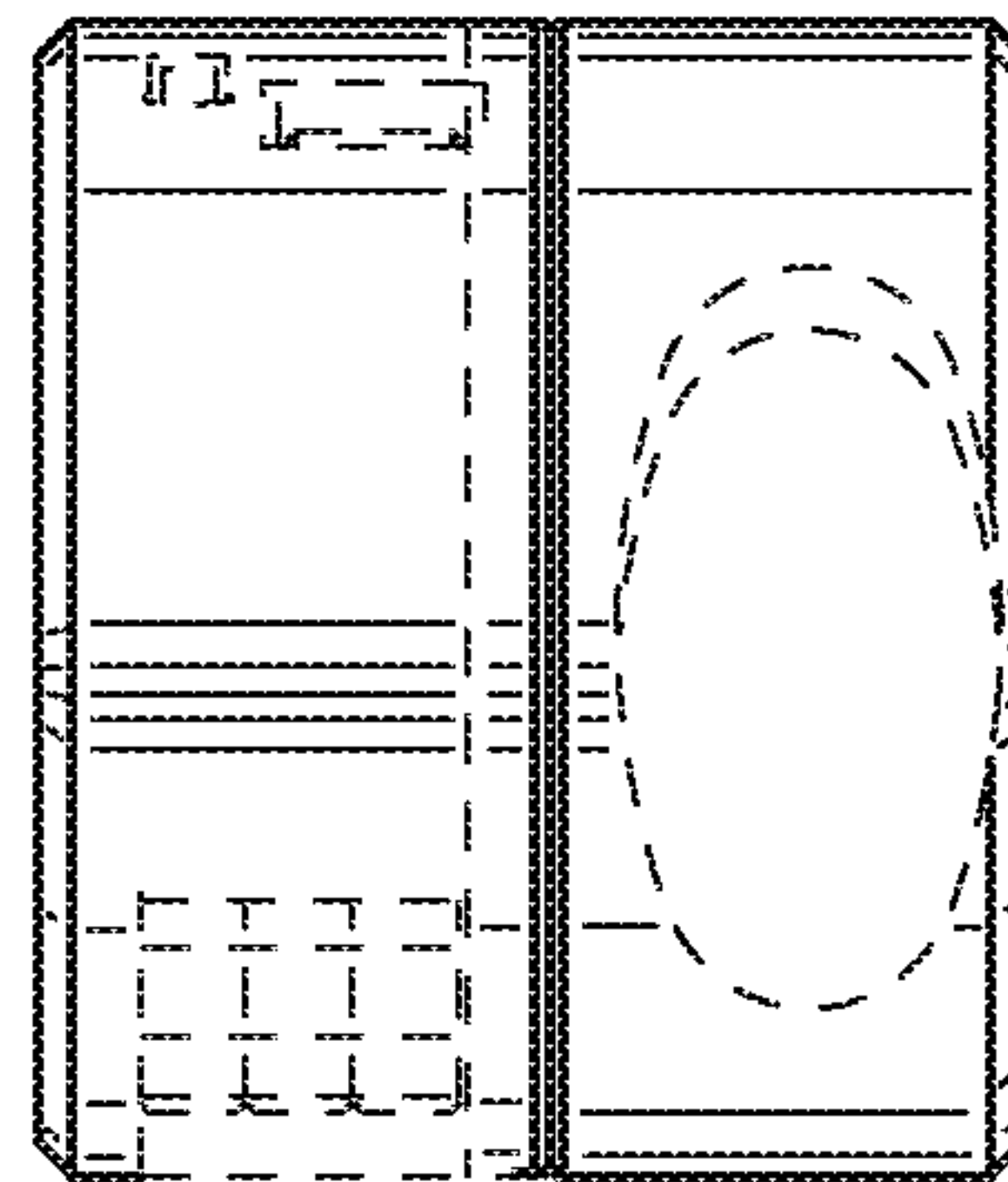


FIG. 5

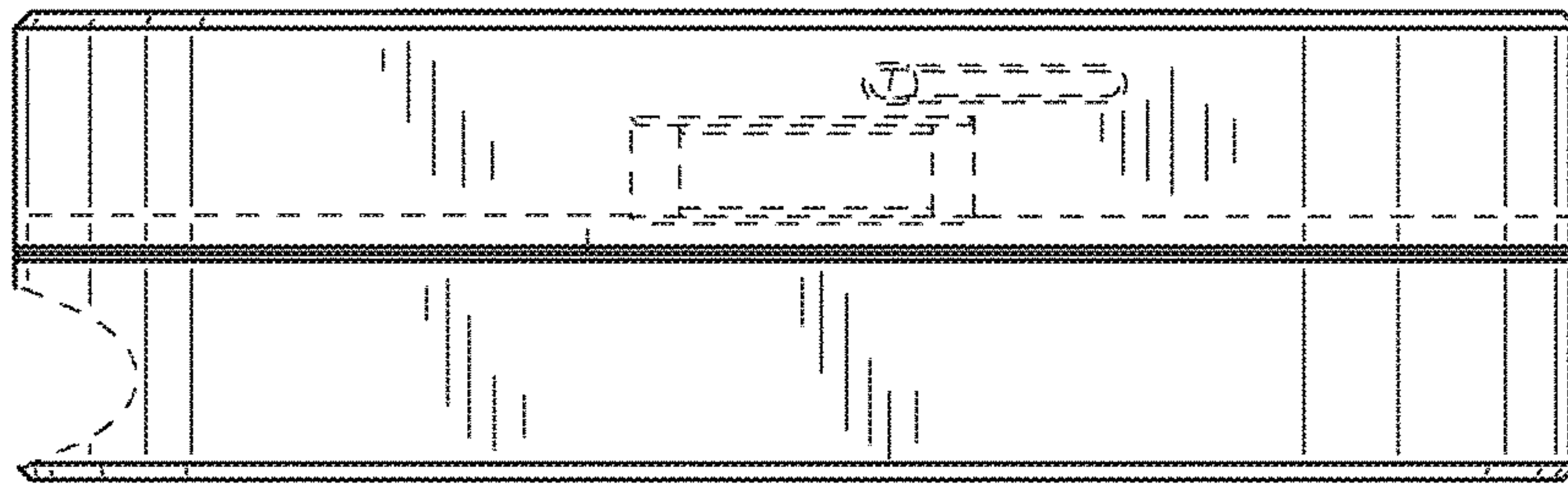


FIG. 6

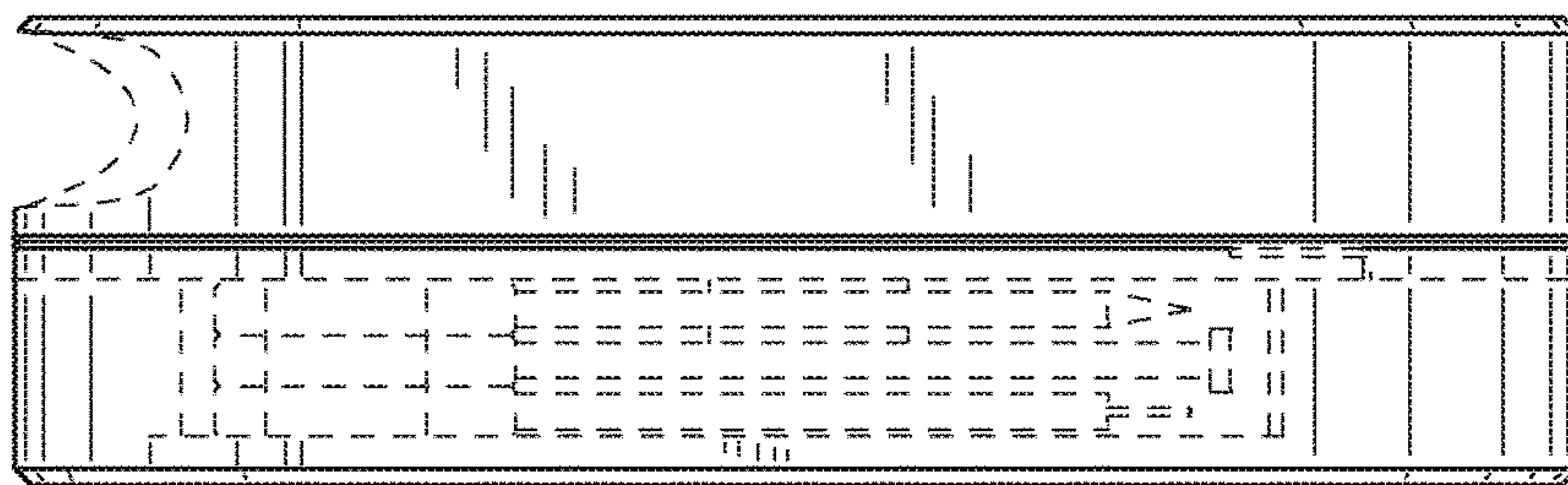


FIG. 7

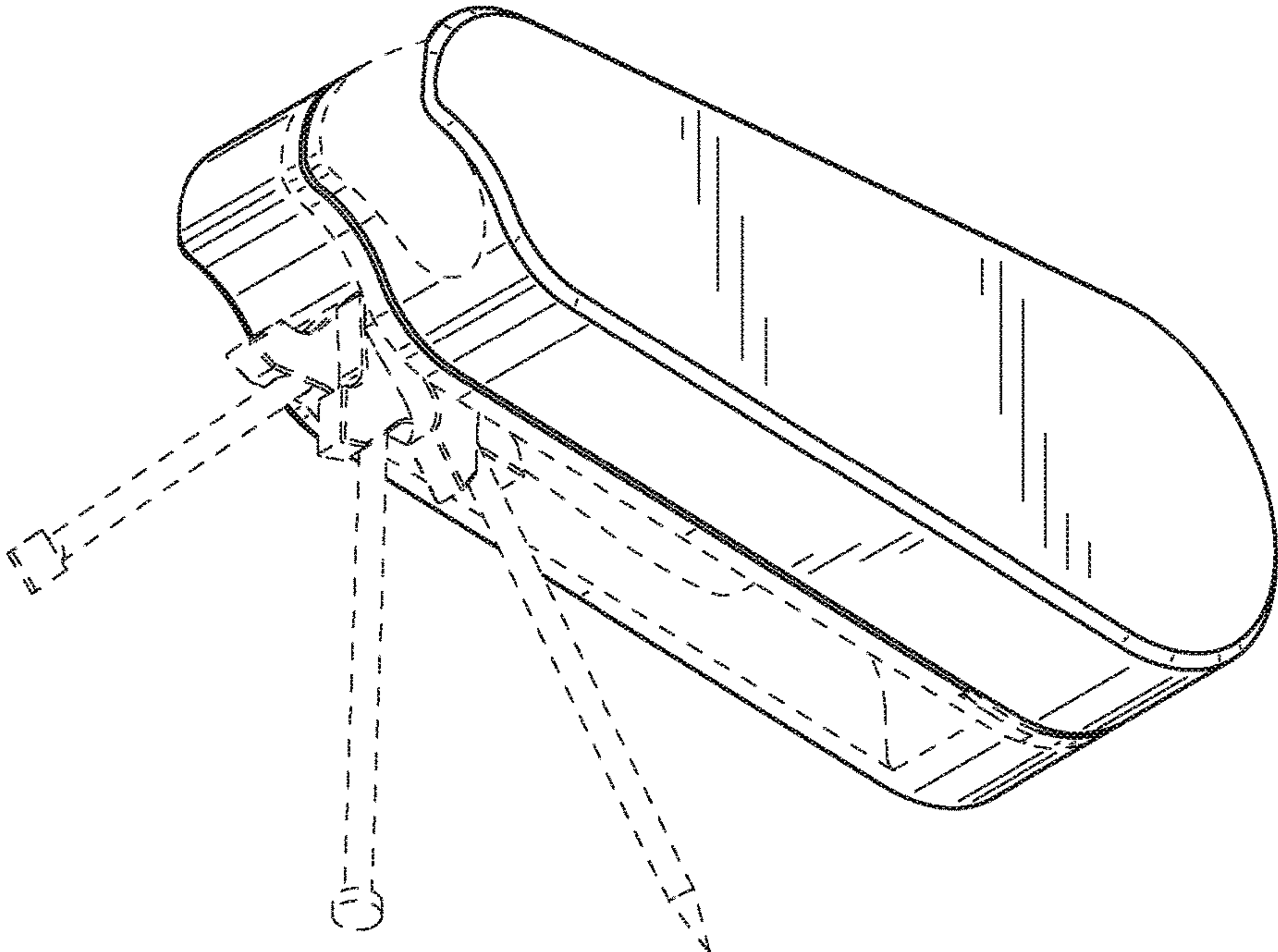


FIG.8

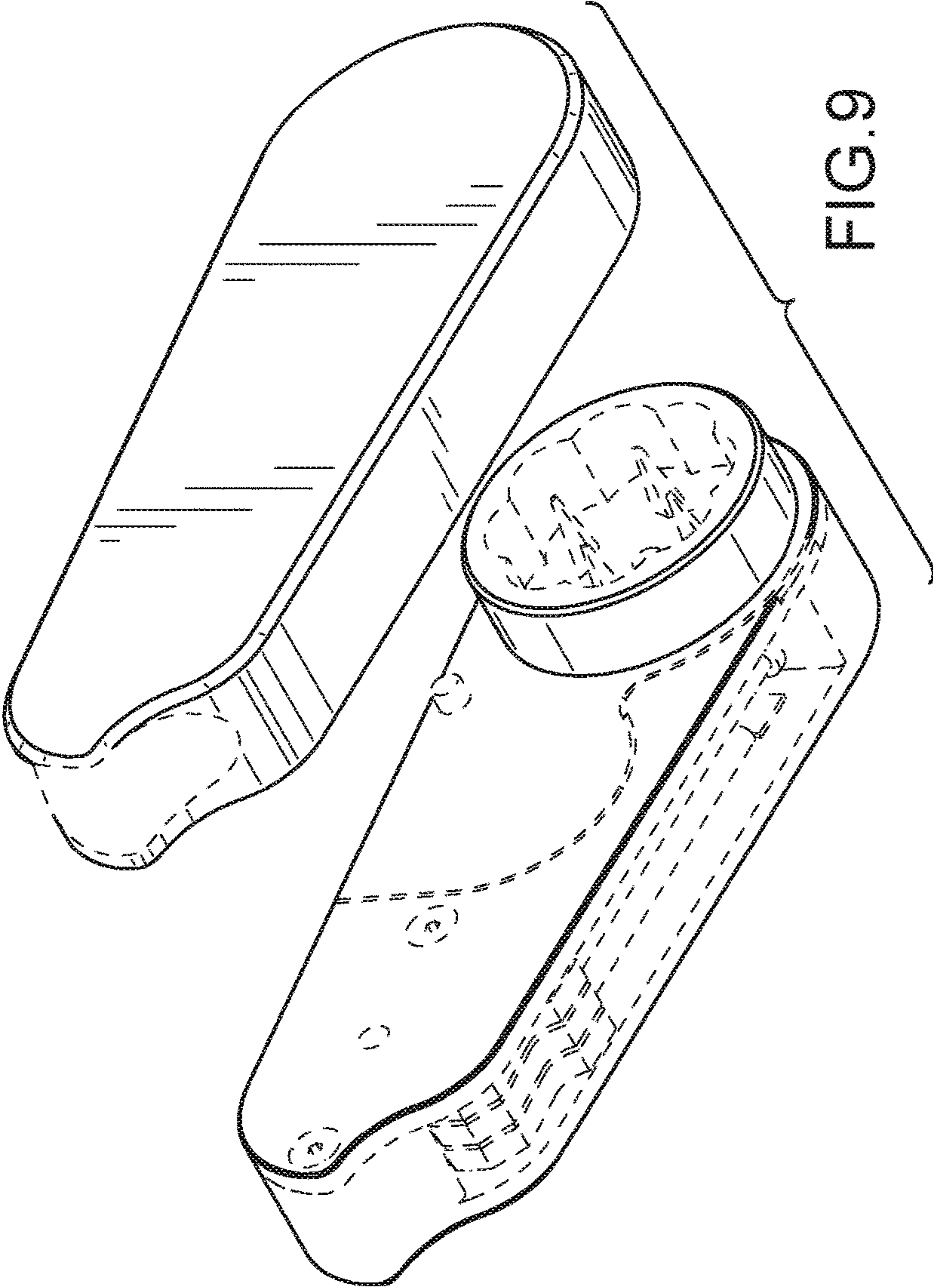
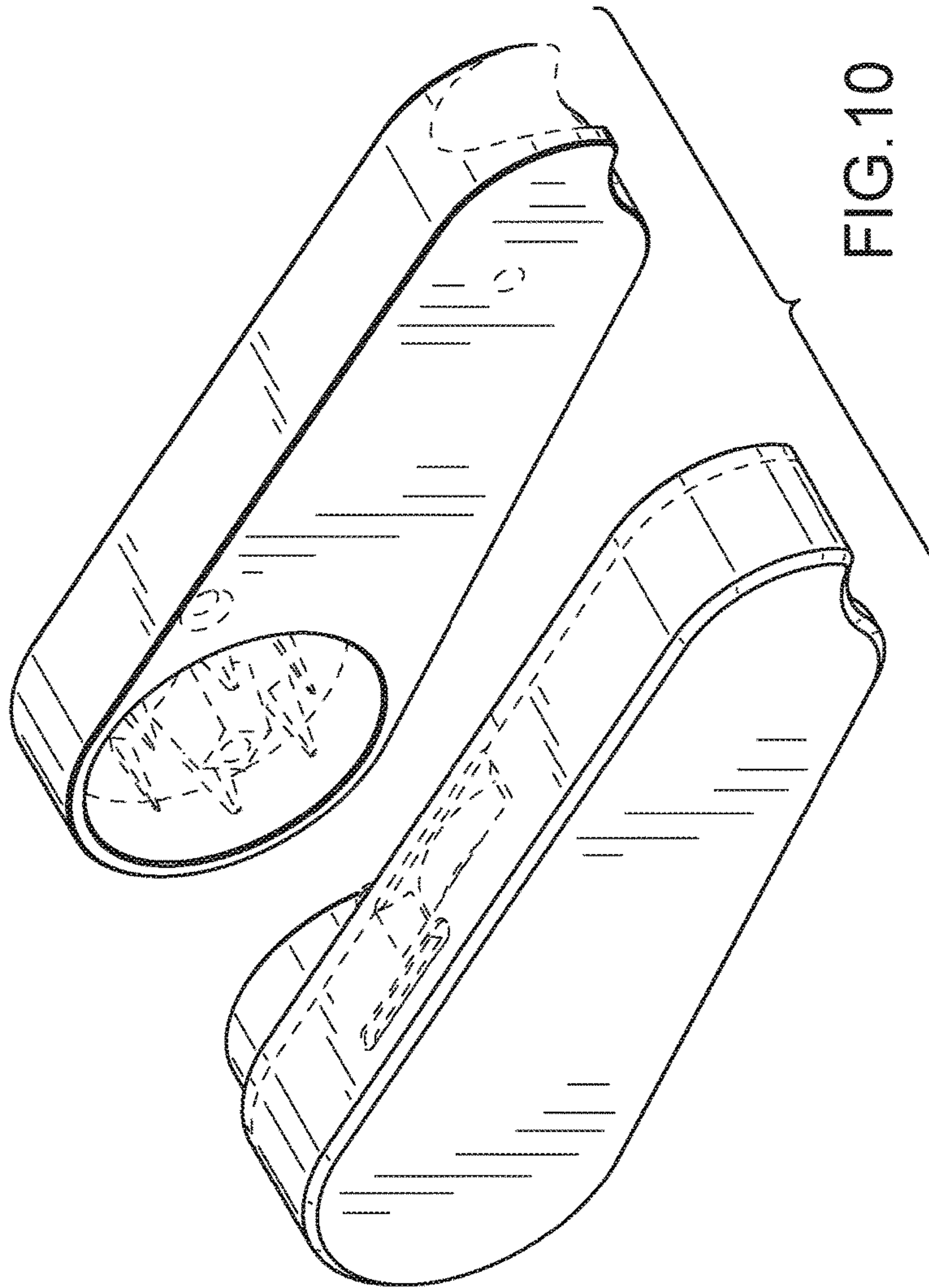


FIG. 9



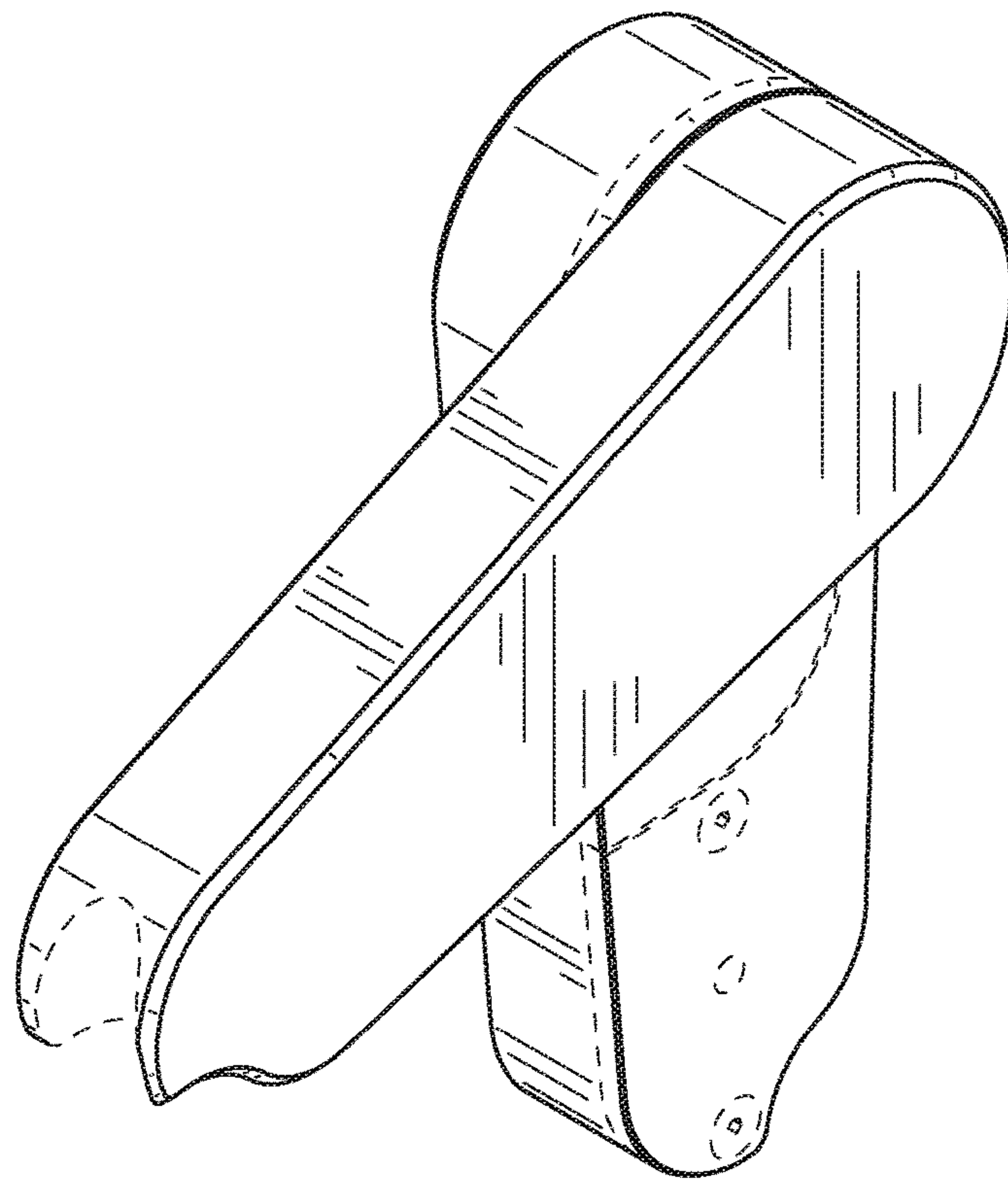


FIG.11

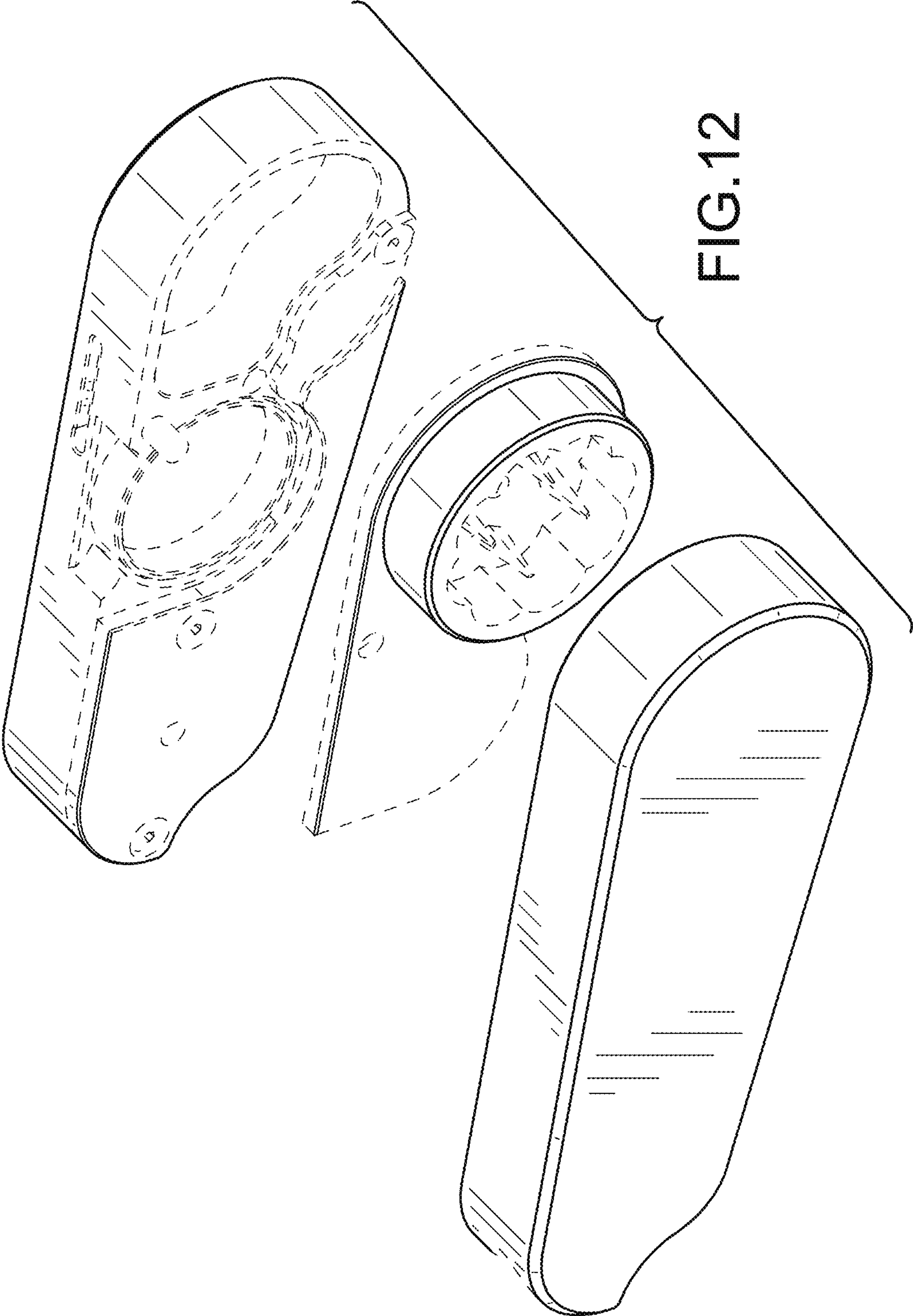


FIG.12

UNITED STATES PATENT AND TRADEMARK OFFICE
CERTIFICATE OF CORRECTION

PATENT NO. : D814,889 S
APPLICATION NO. : 29/620567
DATED : April 10, 2018
INVENTOR(S) : Carabelos

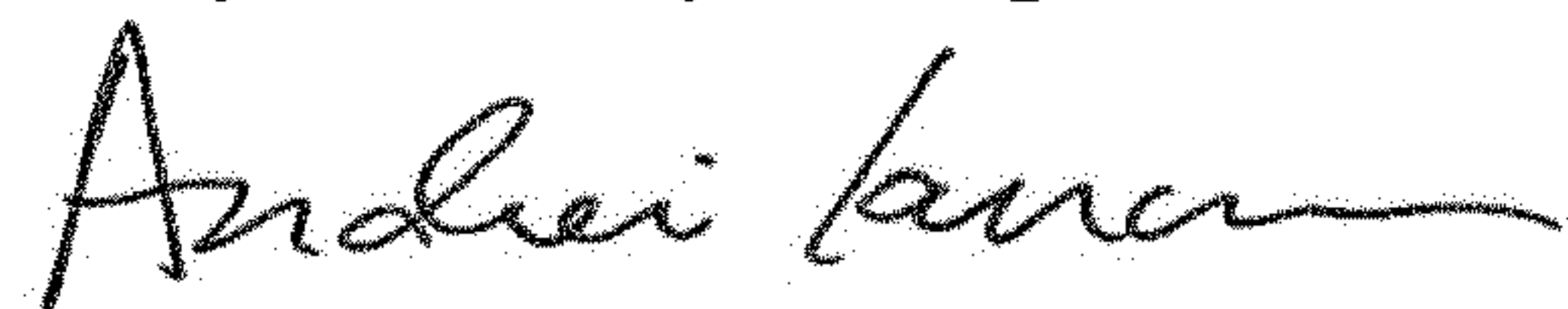
Page 1 of 1

It is certified that error appears in the above-identified patent and that said Letters Patent is hereby corrected as shown below:

On the Title Page

Item (63) Related U.S. Application, insert new paragraph:
--Provisional application No. 61/981,035, filed on April 17, 2014.--

Signed and Sealed this
Twenty-fifth Day of September, 2018



Andrei Iancu
Director of the United States Patent and Trademark Office