



US00D814888S

(12) **United States Design Patent** (10) **Patent No.:** **US D814,888 S**  
**Davies** (45) **Date of Patent:** **\*\* Apr. 10, 2018**

(54) **FOOD GRATER**  
(71) Applicant: **DKB HOUSEHOLD UK LIMITED**,  
Hampshire (GB)  
(72) Inventor: **Ben Davies**, Lyndhurst (GB)  
(73) Assignee: **DKB Household UK Limited**,  
Hampshire (GB)  
(\*\*) Term: **15 Years**  
(21) Appl. No.: **29/572,757**  
(22) Filed: **Jul. 29, 2016**  
(30) **Foreign Application Priority Data**  
Feb. 1, 2016 (EM) ..... 002968008-0001  
(51) **LOC (11) Cl.** ..... **31-00**  
(52) **U.S. Cl.**  
USPC ..... **D7/678**  
(58) **Field of Classification Search**  
USPC ..... D7/371, 372, 376, 381, 393, 408, 649,  
D7/650, 665, 666, 668, 669, 673,  
D7/678-680, 682, 688, 692-696; D28/59  
CPC .. A47J 19/04; A47J 17/02; A47J 17/04; A47J  
43/00; A47J 43/25; A47J 43/255; B26D  
1/30; B26D 7/18  
See application file for complete search history.

D548,549 S \* 8/2007 Curtin ..... D7/678  
D568,118 S \* 5/2008 Chalfant ..... D7/678  
D593,817 S \* 6/2009 Eide ..... D7/678  
D717,021 S \* 11/2014 Dahlquist ..... D2/869  
D719,319 S \* 12/2014 Dahlquist ..... D2/869  
D742,184 S \* 11/2015 Roberts ..... D7/678  
9,204,760 B2 \* 12/2015 Lee ..... A47J 43/25

**OTHER PUBLICATIONS**

Zyliss. Zyliss Tilt n Grate Box Cheese Grater. Jun. 6, 2016 [earliest online date], [site visited 06/28/17]. Available from Internet, <URL:https://www.zyliss.com/shop/new-products/zyliss-tilt-n-grate-box-cheese-grater/>.\*

\* cited by examiner

*Primary Examiner* — Robert M. Spear  
*Assistant Examiner* — Darcey E Heflin  
(74) *Attorney, Agent, or Firm* — Dorsey & Whitney LLP

(57) **CLAIM**

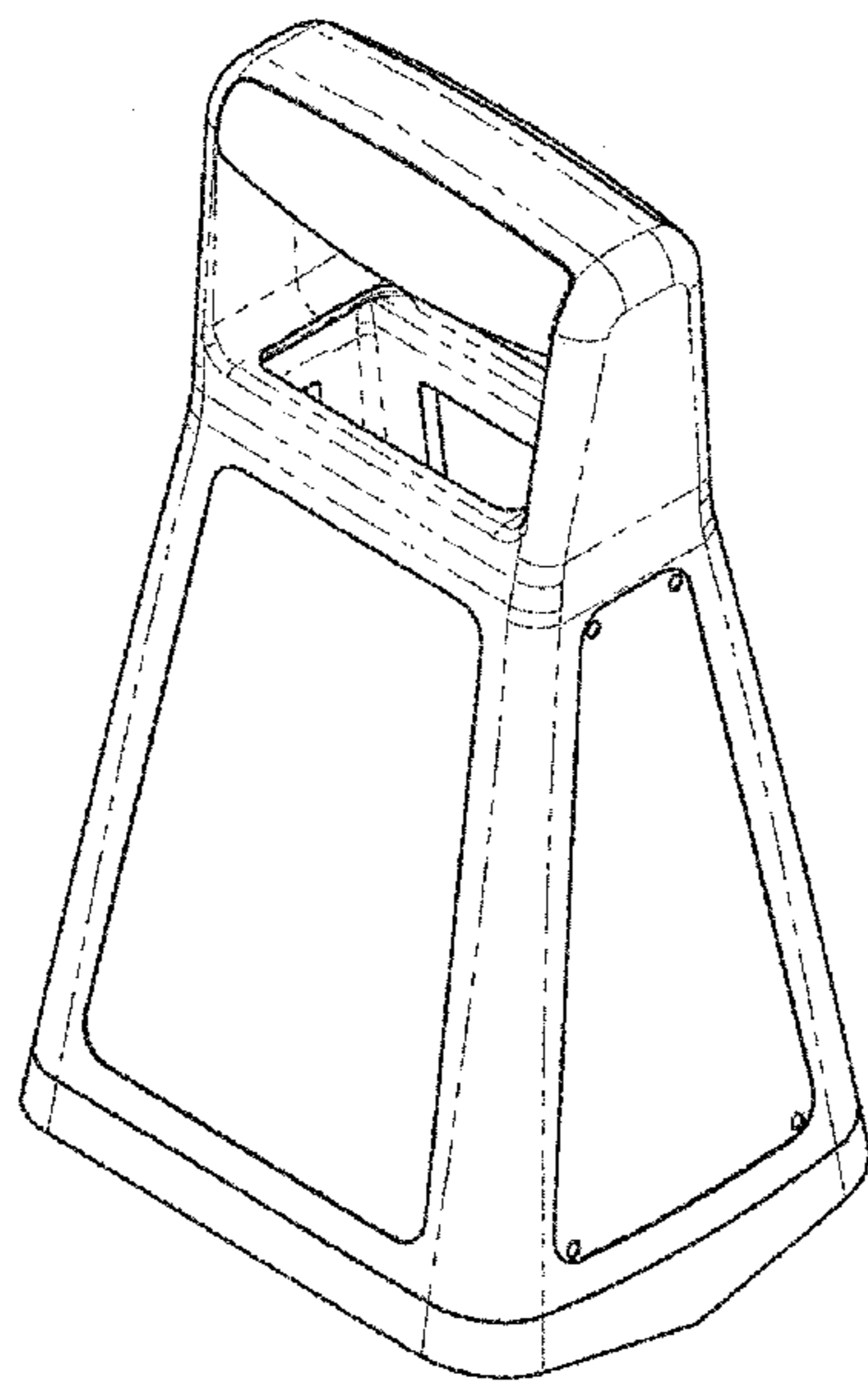
The ornamental design for a food grater, as shown and described.

**DESCRIPTION**

FIG. 1 is an isometric view of a food grater in accordance with the present design;  
FIG. 2 is a top plan view thereof;  
FIG. 3 is a bottom plan view thereof;  
FIG. 4 is a front elevation view thereof, the rear elevation view thereof is a mirror image of the front elevation view; and,  
FIG. 5 is a right side elevation view thereof, the left side elevation view thereof is a mirror image of the right side elevation view.  
In the drawings, the broken lines showing portions of a food grater depict environment and form no part of the claim.

**1 Claim, 5 Drawing Sheets**

(56) **References Cited**  
U.S. PATENT DOCUMENTS  
D149,259 S \* 4/1948 Daniels ..... D7/678  
D227,534 S \* 7/1973 Hutzler ..... D7/678  
D259,759 S \* 7/1981 Williams ..... D7/678  
D315,077 S \* 3/1991 Campbell ..... D7/678  
D415,336 S \* 10/1999 Feix ..... D2/869  
D473,110 S \* 4/2003 Witthoft ..... D7/678



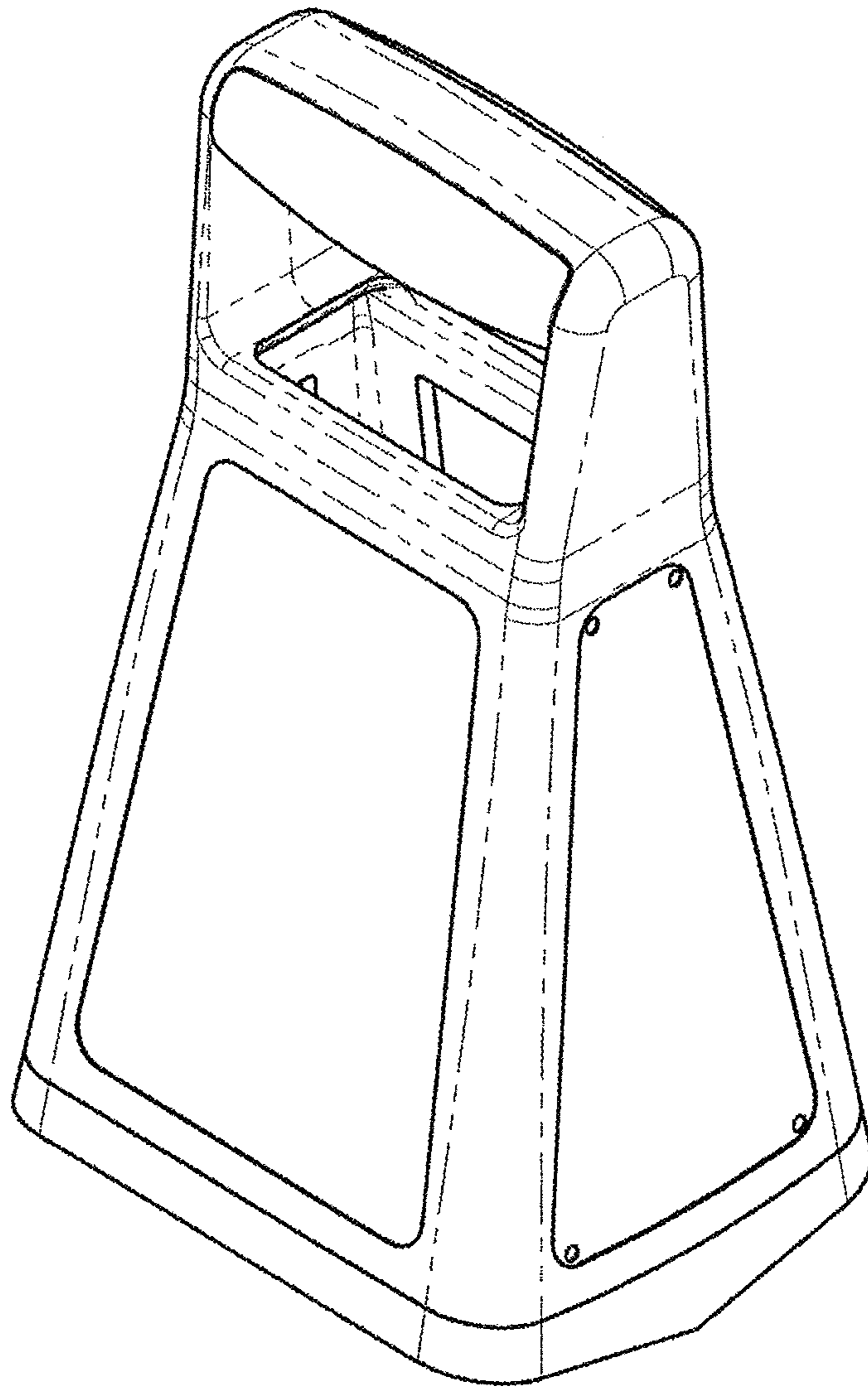


FIG. 1

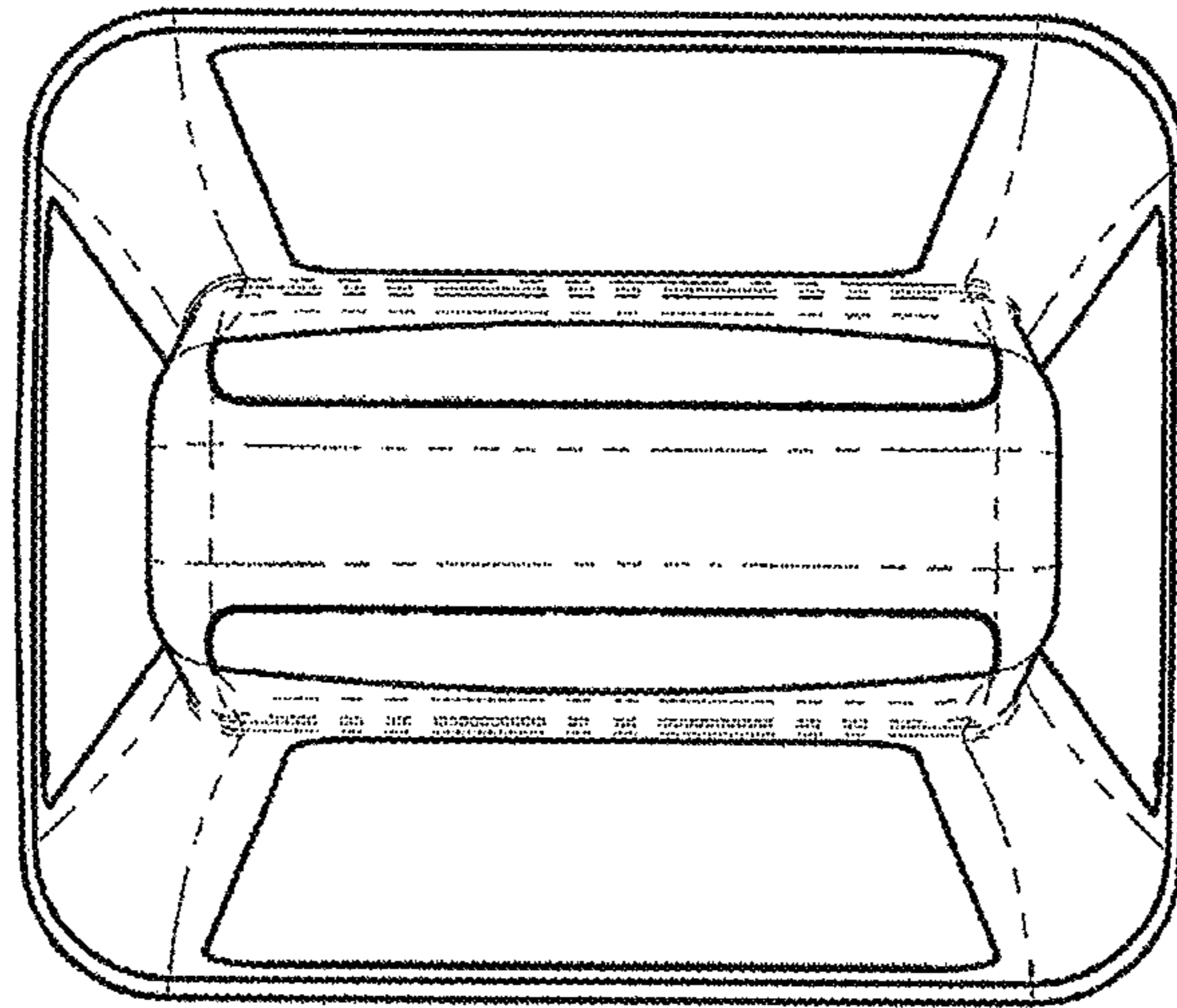


FIG. 2

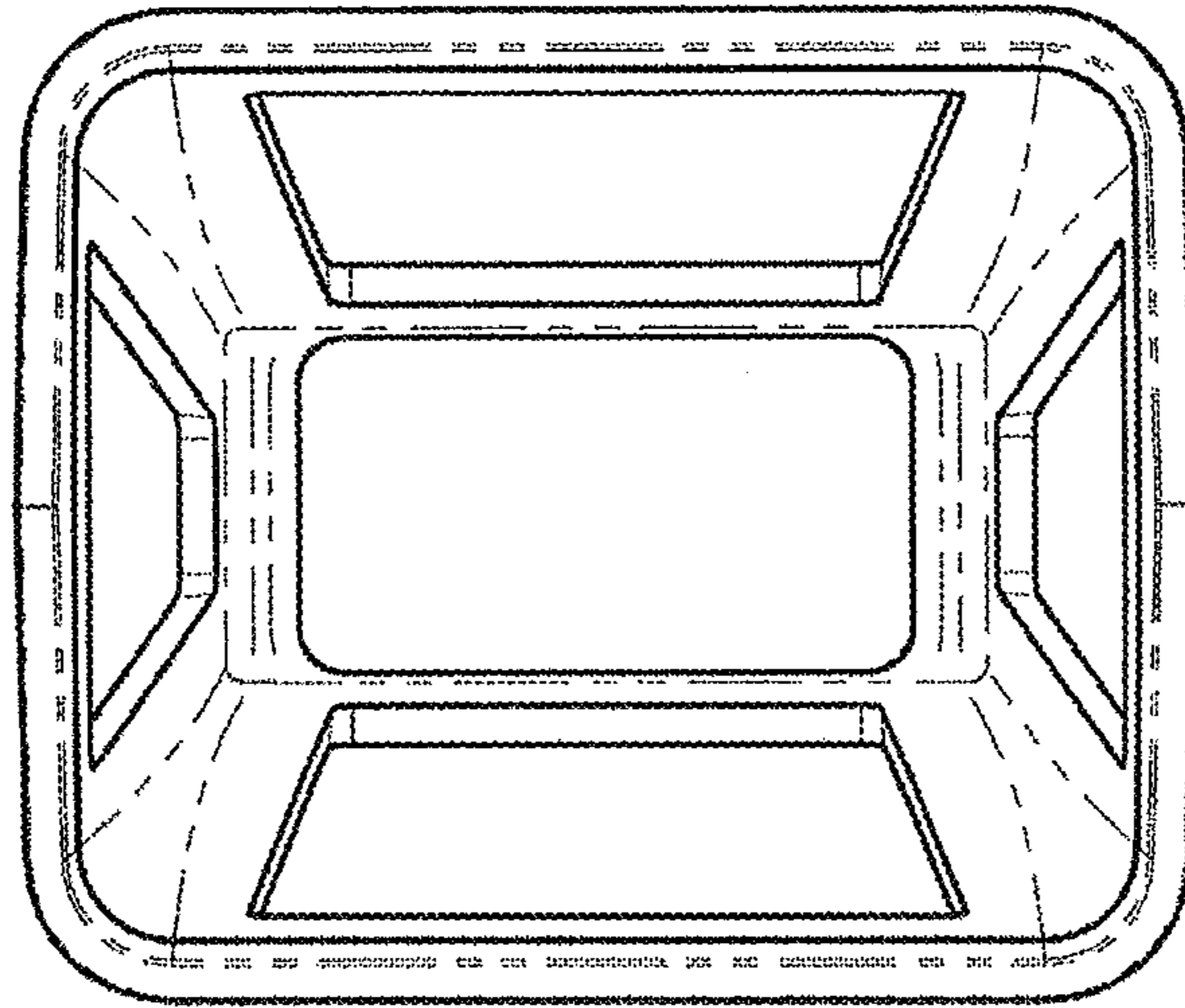


FIG. 3

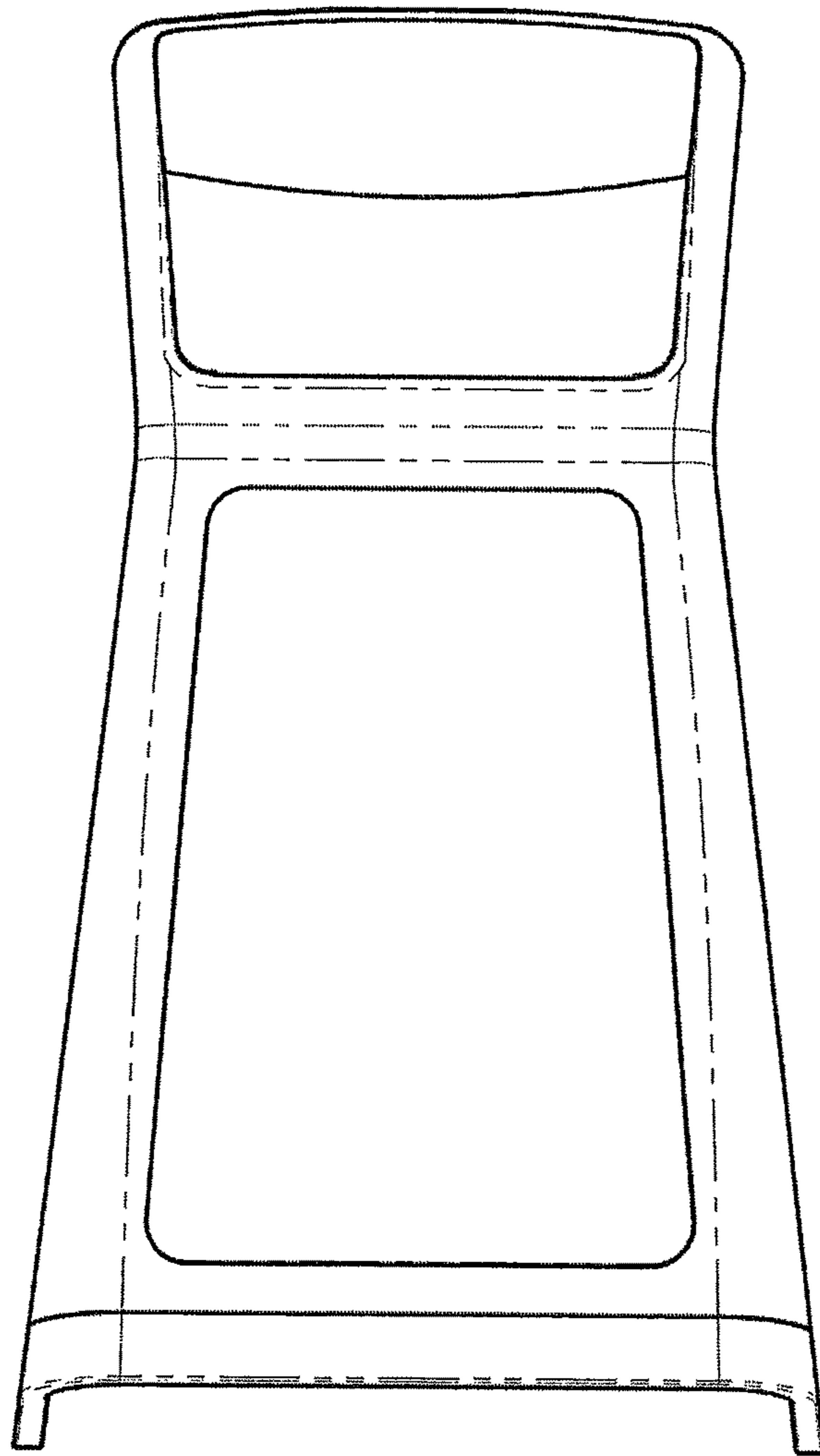


FIG. 4

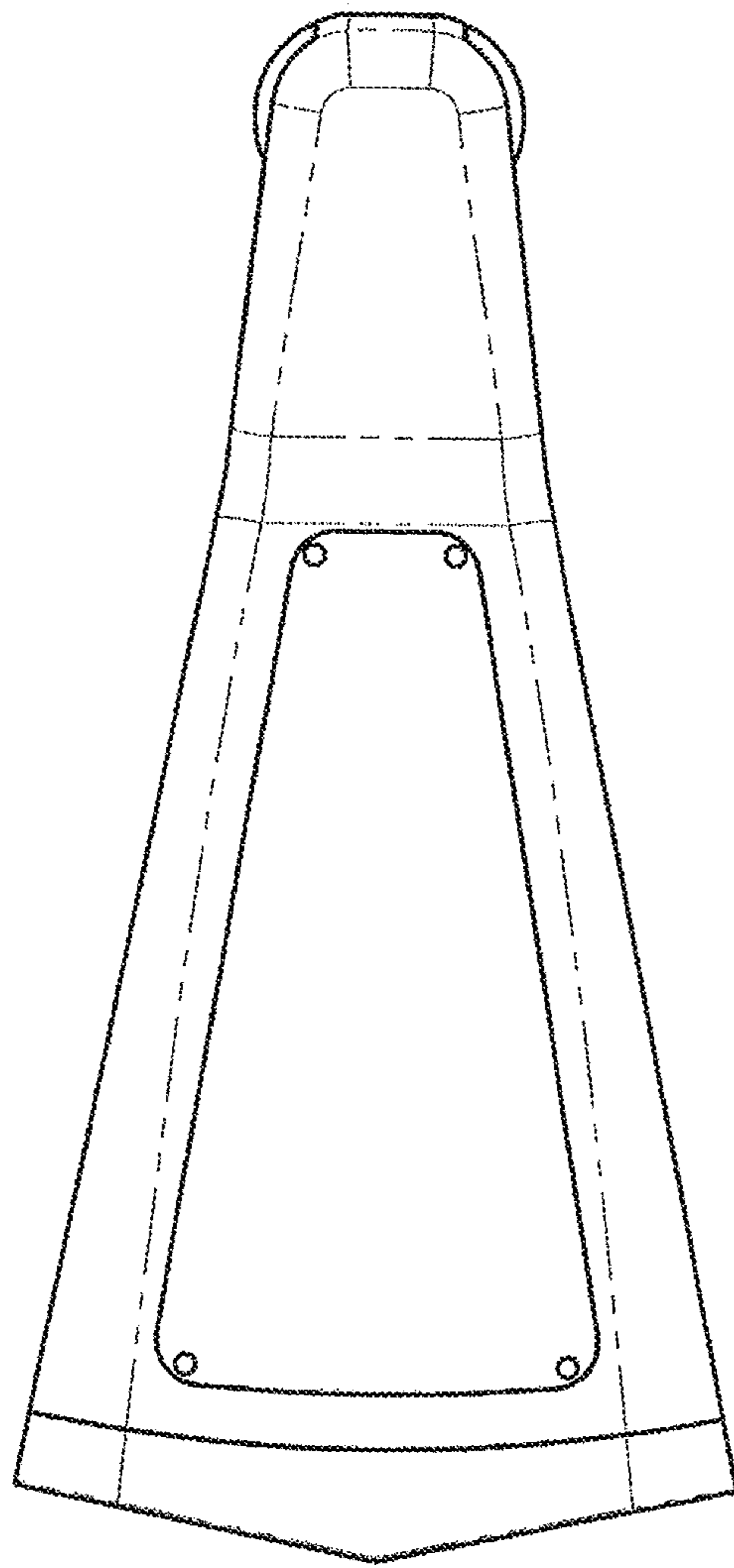


FIG. 5