



US00D814887S

(12) **United States Design Patent**
Schultz

(10) **Patent No.:** **US D814,887 S**

(45) **Date of Patent:** **** Apr. 10, 2018**

(54) **WAFFLE CUTTER**

(71) Applicant: **Brian Schultz**, Richland, MI (US)

(72) Inventor: **Brian Schultz**, Richland, MI (US)

(**) Term: **15 Years**

(21) Appl. No.: **29/590,791**

(22) Filed: **Jan. 13, 2017**

(51) **LOC (11) Cl.** **07-04**

(52) **U.S. Cl.**
USPC **D7/673**

(58) **Field of Classification Search**
USPC D7/672-677, 354, 693-696, 678
CPC .. A47J 43/00; A47J 43/25; A47J 25/00; A47J
43/20; B26D 2210/02; B26D 1/143;
B26D 3/283; B26D 3/26; B26D 3/185;
B26D 2003/288; B26D 2003/286; B26D
2003/285; B26D 2003/287

See application file for complete search history.

(56) **References Cited**

U.S. PATENT DOCUMENTS

D154,071 S * 6/1949 Smith 30/312
D634,590 S * 3/2011 Ferguson D7/673
D690,170 S * 9/2013 Harris D7/673
D770,869 S * 11/2016 Stahl D7/672
D776,496 S * 1/2017 Mirchandani D7/672

D782,885 S * 4/2017 Harris D7/673
2006/0272162 A1* 12/2006 Atwater B26D 3/185
30/303
2009/0205514 A1* 8/2009 Cheng A47J 25/00
99/565

* cited by examiner

Primary Examiner — Susan Bennett Hattan

Assistant Examiner — Brett Miller

(74) *Attorney, Agent, or Firm* — Miller Canfield Paddock
and Stone; Mark L Maki

(57) **CLAIM**

An ornamental design for a waffle cutter, as shown and
described herein.

DESCRIPTION

FIG. 1 is a front perspective view as taken from the upper
right of a waffle cutter of the present invention showing my
new design;

FIG. 2 is a front perspective view thereof as taken from the
bottom right;

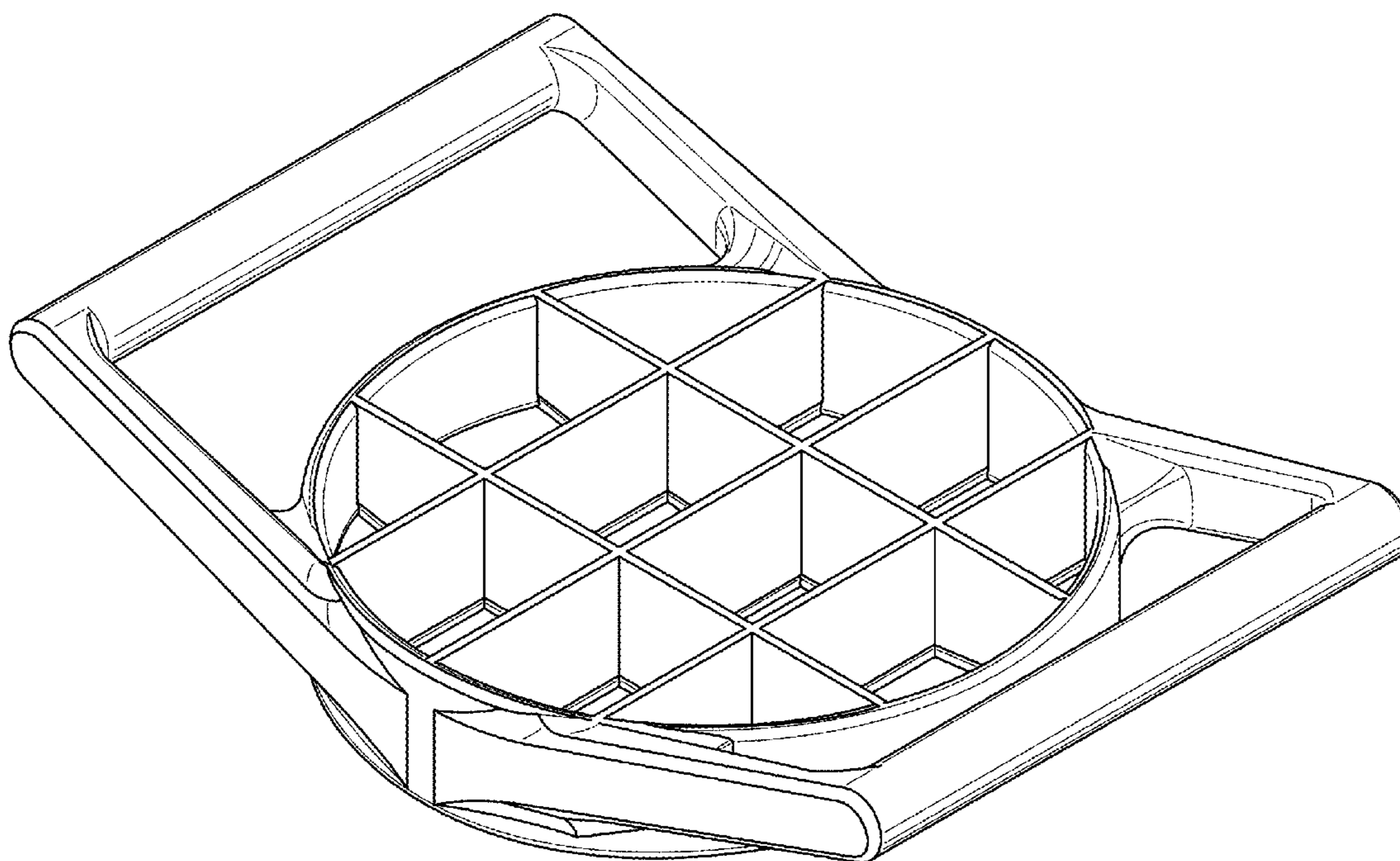
FIG. 3 is a front elevational view thereof, the rear elevational
view being a mirror image thereof;

FIG. 4 is a left side elevational view, the right side being a
mirror image thereof;

FIG. 5 is a top plan view thereof; and,

FIG. 6 is a bottom plan view thereof.

1 Claim, 6 Drawing Sheets



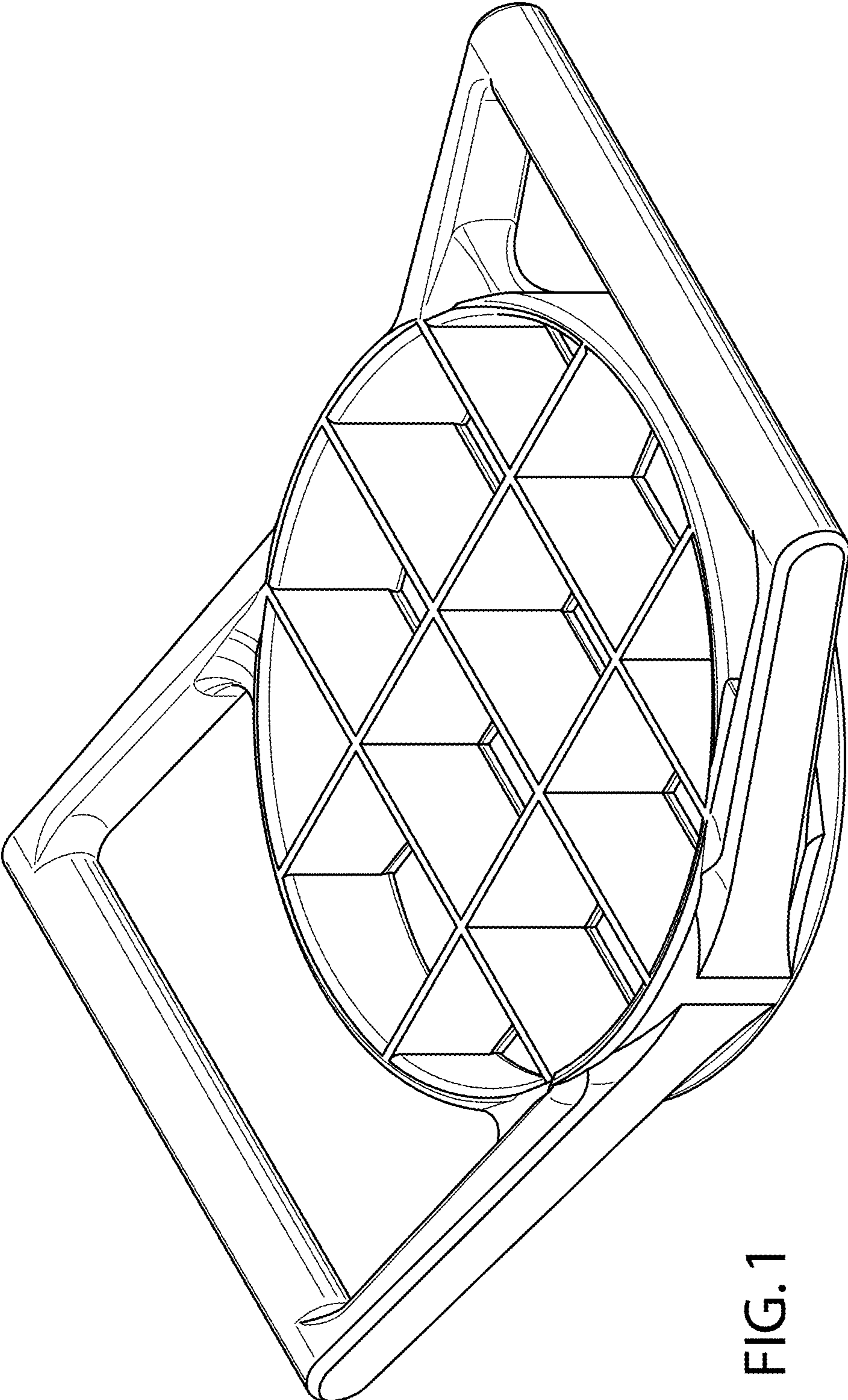


FIG. 1

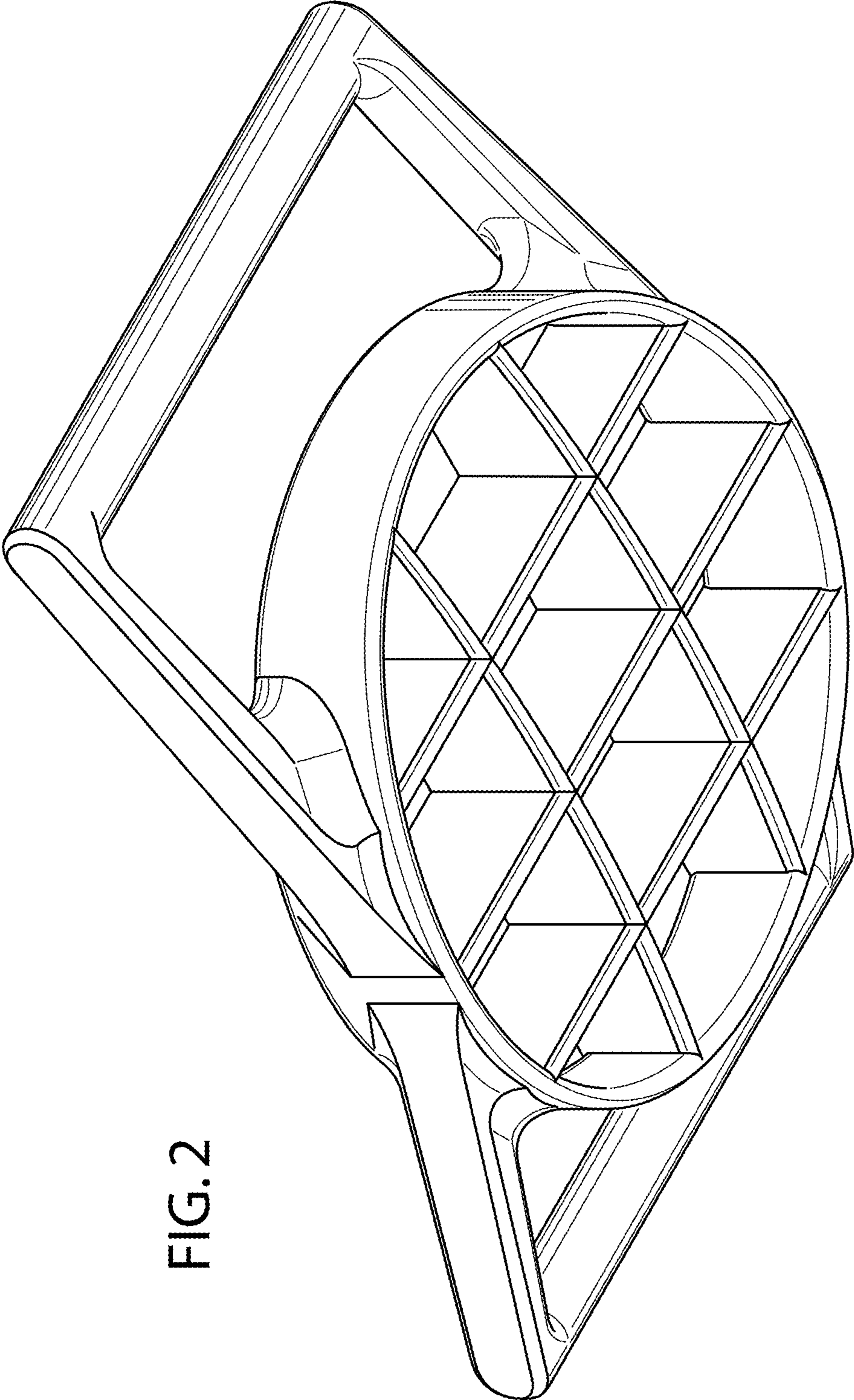


FIG. 2

FIG. 3

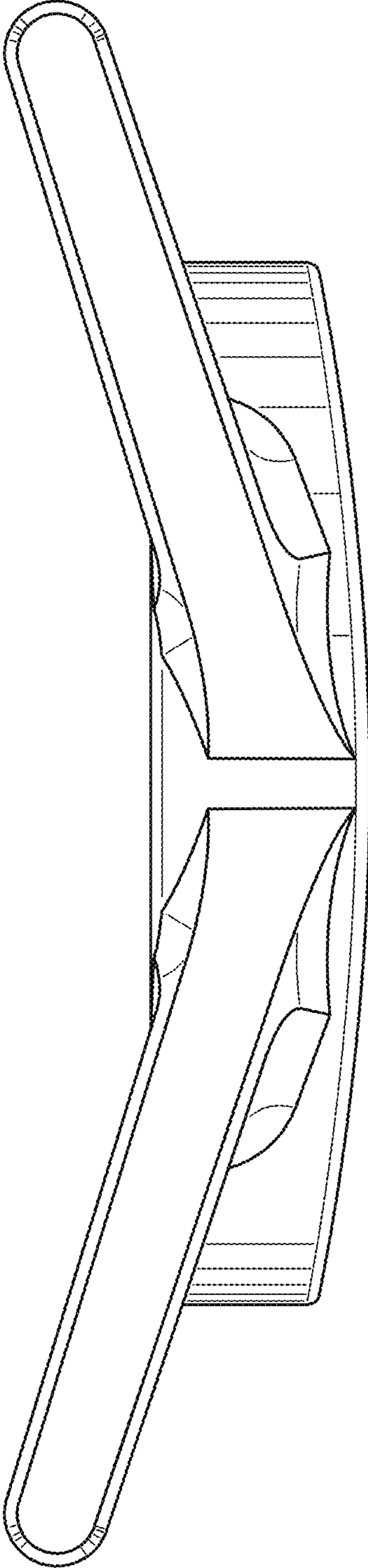


FIG. 4

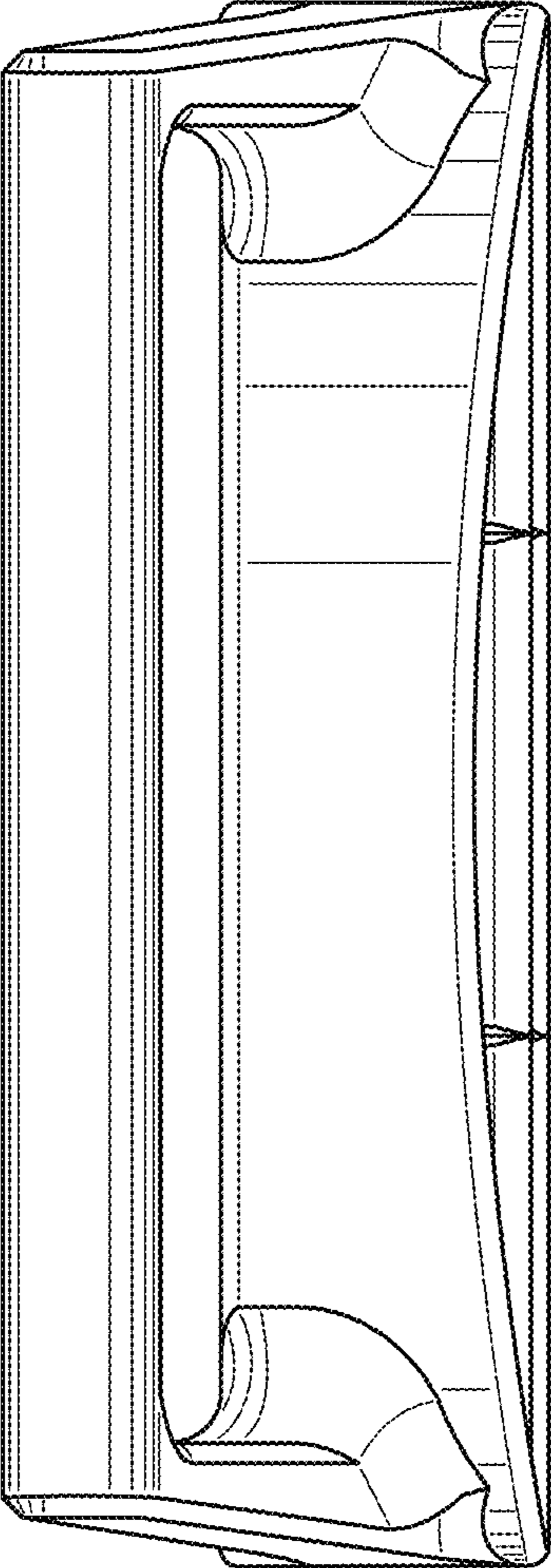


FIG. 5

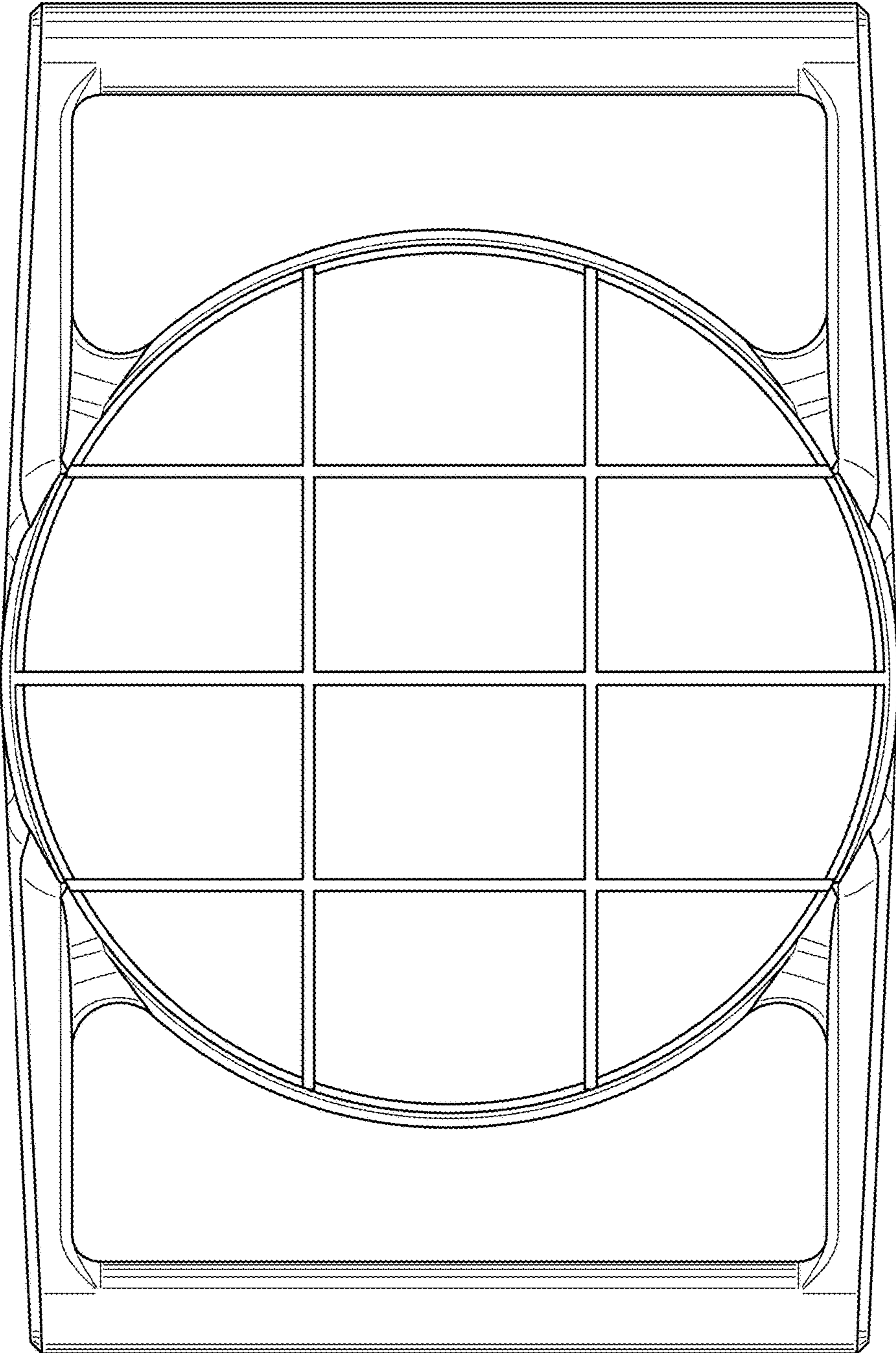


FIG. 6

