



US00D814885S

(12) **United States Design Patent**
Casey et al.

(10) **Patent No.:** **US D814,885 S**
(45) **Date of Patent:** **** Apr. 10, 2018**

(54) **HOLDER FOR SERVING/CATERING TRAYS AND TINS**

(71) Applicant: **Sugar Beets, LLC**, Westlake Village, CA (US)

(72) Inventors: **Jane Casey**, Westlake Village, CA (US); **Charlene Yeager**, Chatsworth, CA (US)

(73) Assignee: **Sugar Beets, LLC**, Westlake Village, CA (US)

(**) Term: **15 Years**

(21) Appl. No.: **29/595,091**

(22) Filed: **Feb. 24, 2017**

(51) **LOC (11) Cl.** **09-07**

(52) **U.S. Cl.**
USPC **D7/629**

(58) **Field of Classification Search**

USPC D7/629, 630, 601, 602, 538-542, 612, D7/608, 300, 312, 316, 323, 353, 900, D7/387, 368, 388, 397, 402, 403, 412, D7/500, 550.1, 552.1, 552.2, 553.1, D7/553.2, 553.3, 554.4, 555; D9/424-433, 445, 500, 501, 503, 504, D9/516, 549, 575, 415-419, 737, 761, D9/760, 759, 756, 479, 478, 420, 421
CPC B65D 85/50; B65D 85/505; B65D 85/52; B65D 43/02; B65D 1/26; B65D 43/0206; B65D 43/0214; A47J 47/01; A47J 42/14; A47J 42/34; A47J 42/50; A47J 47/02; A47J 47/08; A47J 47/10

See application file for complete search history.

(56) **References Cited**

U.S. PATENT DOCUMENTS

2,695,645 A * 11/1954 Tupper A47J 47/02
220/797
2,780,385 A * 2/1957 Tupper A47J 47/02
220/797

3,447,714 A * 6/1969 Elliot B65D 43/0212
206/1.5
3,589,554 A * 6/1971 Smith B65D 25/02
206/514
3,799,386 A * 3/1974 Madalin B65D 25/2897
206/564
D238,148 S * 12/1975 Dilot D7/629
D241,599 S * 9/1976 Croyle et al. D7/629
D246,289 S * 11/1977 Boucher D7/542
D276,794 S * 12/1984 Urion D9/420
D284,254 S * 6/1986 Carlson D3/302

(Continued)

Primary Examiner — Shannon Morgan

(74) *Attorney, Agent, or Firm* — Kelly & Kelley, LLP

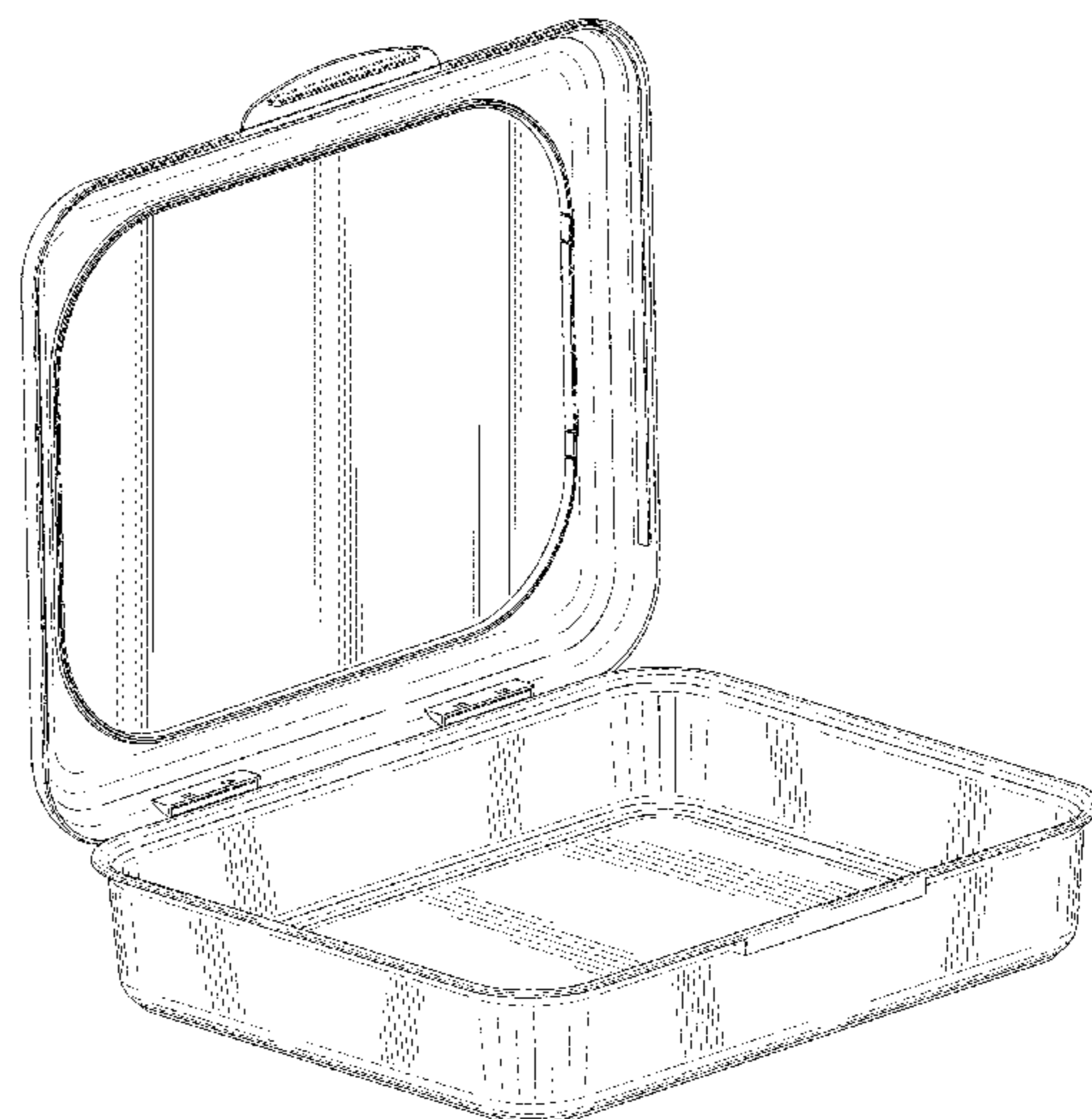
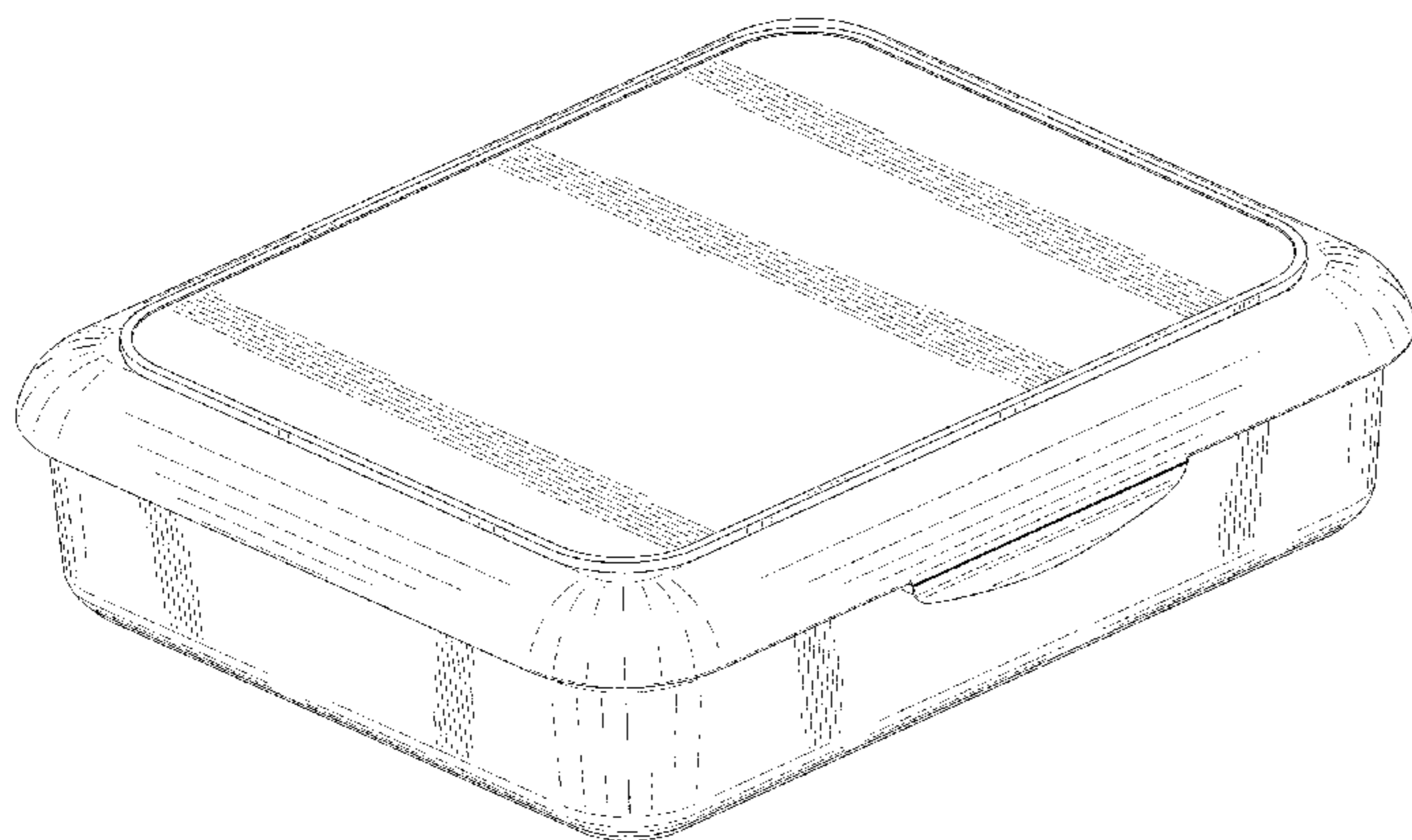
(57) **CLAIM**

The ornamental design for a holder for serving/catering trays and tins, as shown and described.

DESCRIPTION

FIG. 1 is a top, front and left-side perspective view of a holder for serving/catering trays and tins showing the new design;
FIG. 2 is a bottom, rear and right-side perspective view thereof;
FIG. 3 is a top plan view thereof;
FIG. 4 is a bottom plan view thereof;
FIG. 5 is a front elevational view thereof;
FIG. 6 is a rear elevational view thereof;
FIG. 7 is a right-side elevational view thereof; the left-side elevational view being an identical mirror image thereof; and,
FIG. 8 is a perspective view of FIG. 1 shown with the lid in an open position thereof.
The broken lines in FIG. 4 depict portions of the holder for serving/catering trays and tins that form no part of the claimed design.

1 Claim, 7 Drawing Sheets



(56)

References Cited

U.S. PATENT DOCUMENTS

4,700,842 A * 10/1987 Grusin B65D 21/0223
206/508
4,976,370 A * 12/1990 Cassel B65D 1/22
220/792
D314,307 S * 2/1991 Bush D7/356
D319,165 S * 8/1991 Gecchelin D7/542
D328,030 S * 7/1992 Dumbrell D3/302
D357,161 S * 4/1995 Booten D7/538
D363,669 S * 10/1995 Pennoyer, Jr. D3/292
D367,211 S * 2/1996 Cautereels D3/294
D408,222 S * 4/1999 Carter D7/541
D412,786 S * 8/1999 Killinger D3/273
D449,165 S * 10/2001 van der Hulst D3/294
D472,773 S * 4/2003 Samartgis D7/629
D472,774 S * 4/2003 Pelstring D7/629
D539,100 S * 3/2007 Zhao D7/629
D612,094 S * 3/2010 Bellamah D27/189
7,954,664 B2 * 6/2011 Cronin A45C 11/00
220/282
D666,878 S * 9/2012 Siegel D7/629
D670,569 S * 11/2012 Siegel D7/629
D733,314 S * 6/2015 Lui D24/227
D733,503 S * 7/2015 Bagley D7/629
D741,703 S * 10/2015 Janson D9/424
9,445,631 B1 * 9/2016 Patel A24F 23/00
2013/0306636 A1 * 11/2013 Wulf B65D 43/0212
220/259.1
2015/0217901 A1 * 8/2015 Bagley B65D 21/086
220/8
2016/0249768 A1 * 9/2016 Casey A47G 19/08
220/574

* cited by examiner

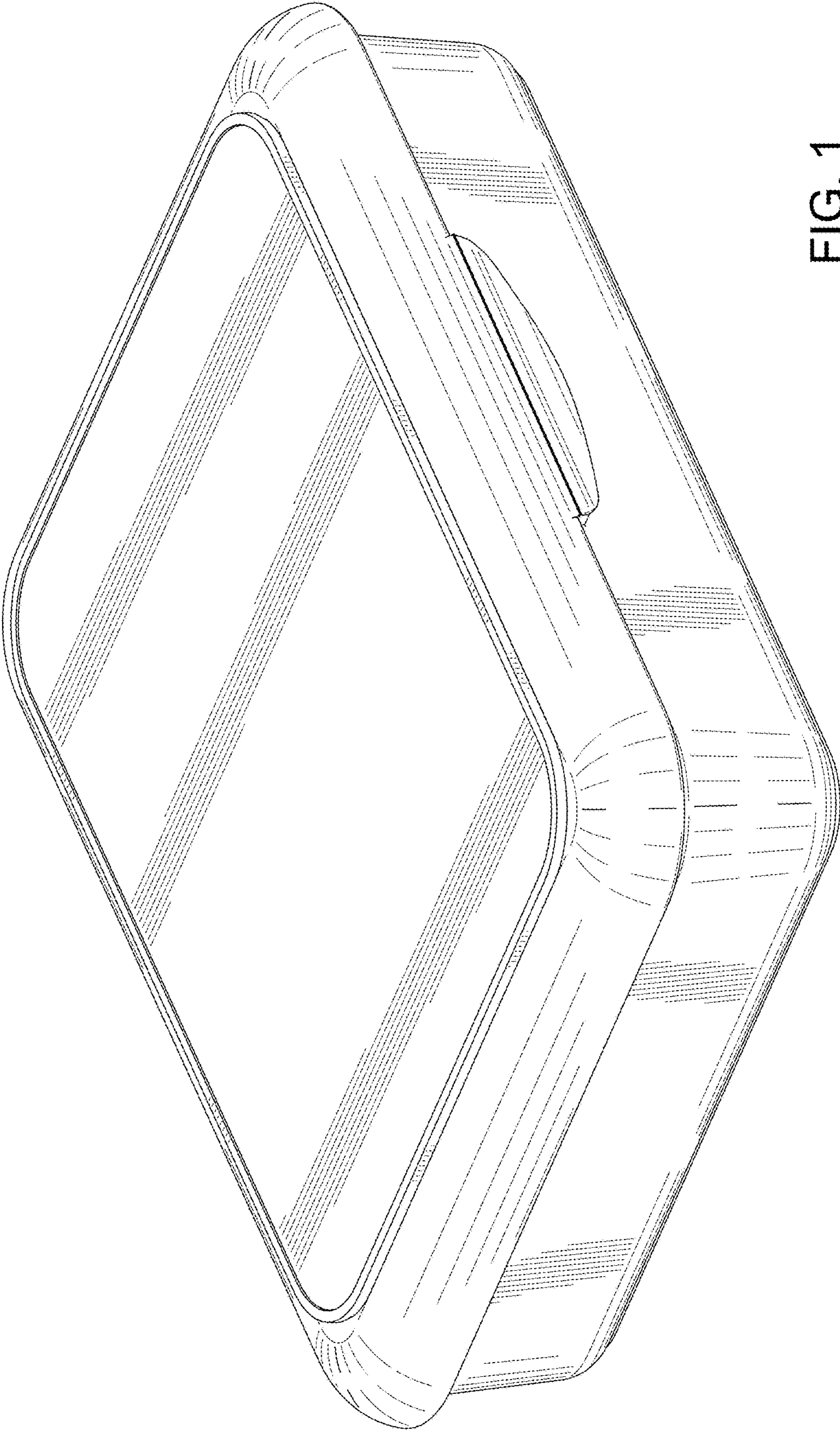


FIG. 1

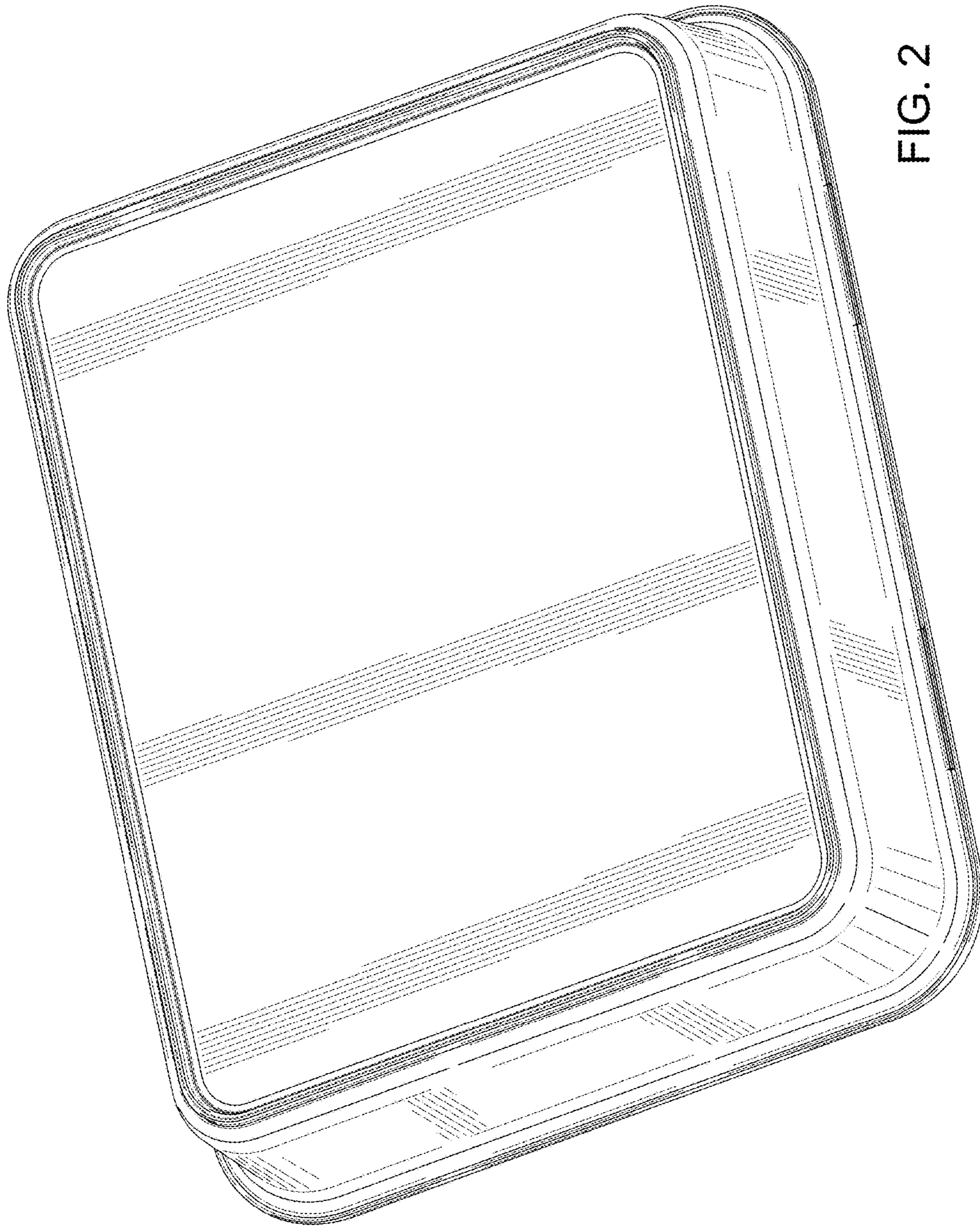


FIG. 2

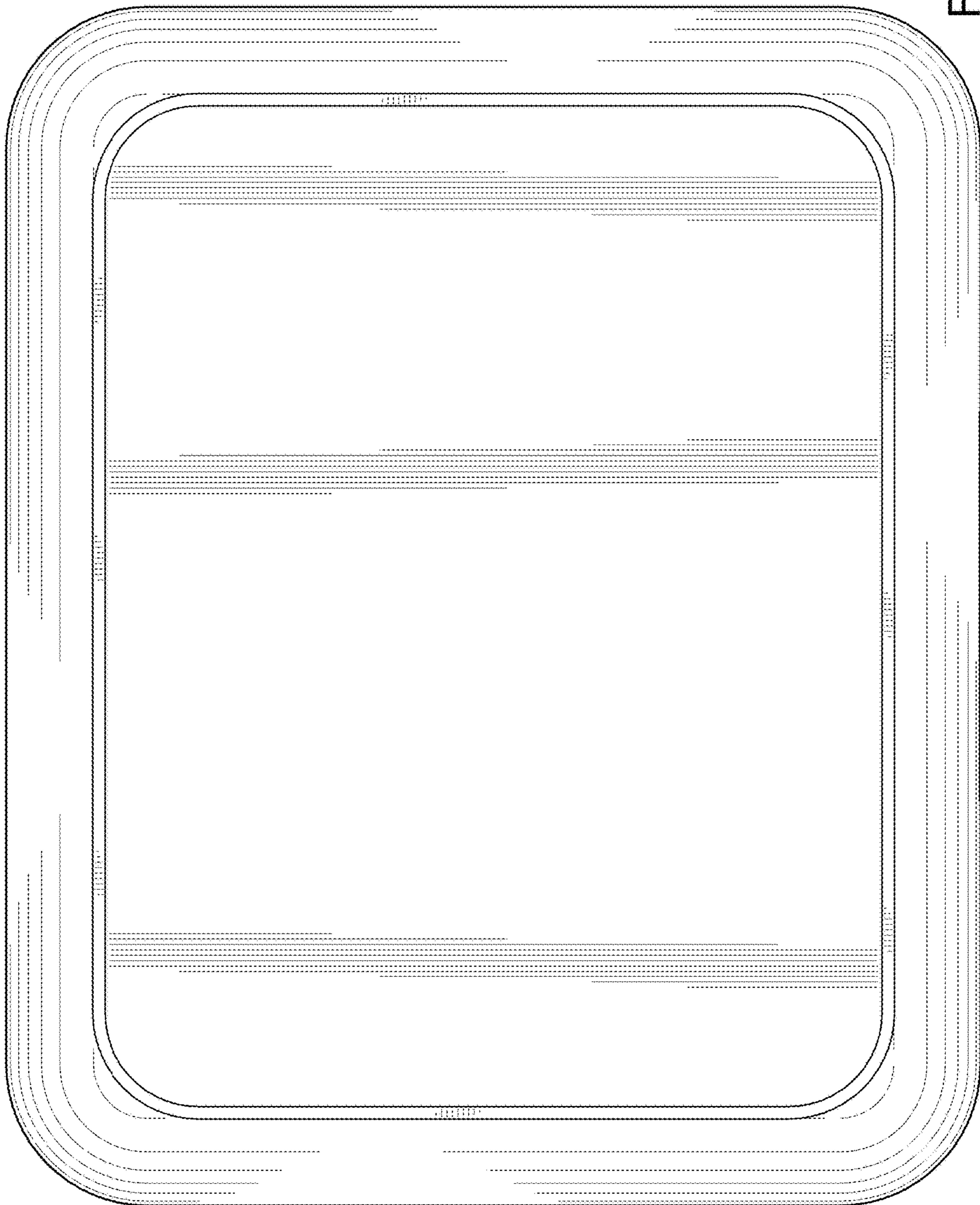


FIG. 3

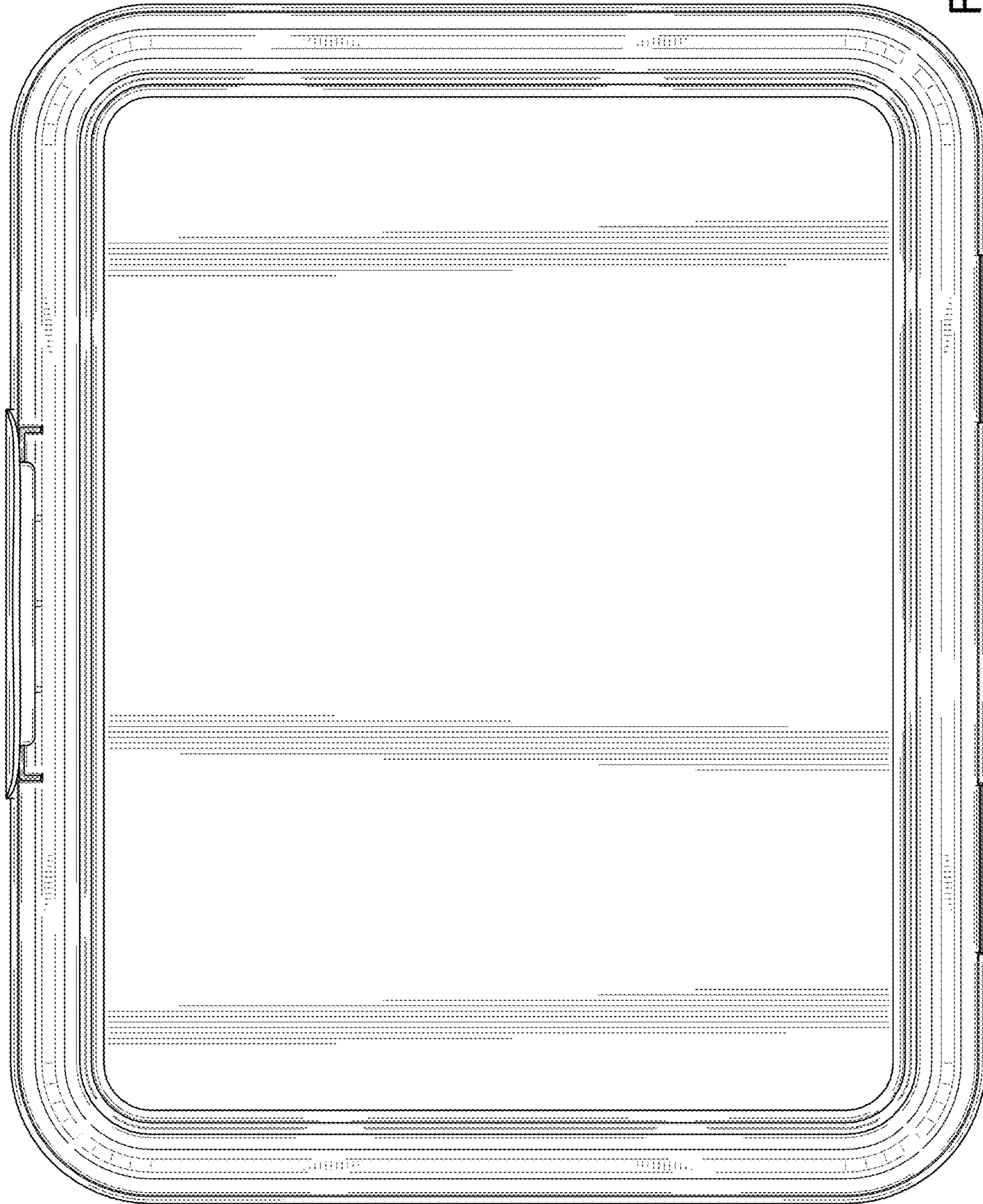


FIG. 4

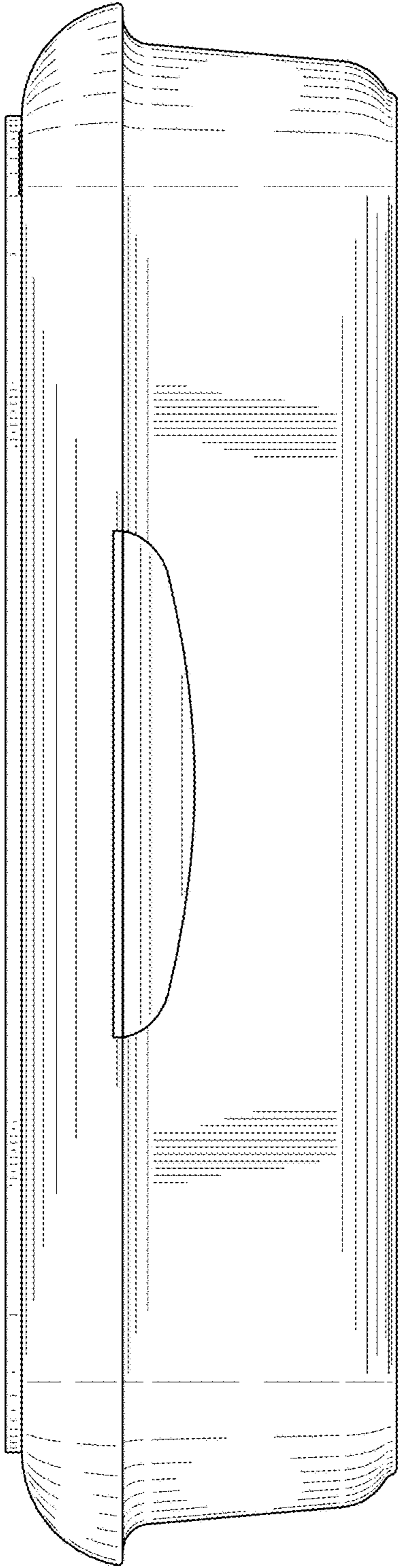


FIG. 5

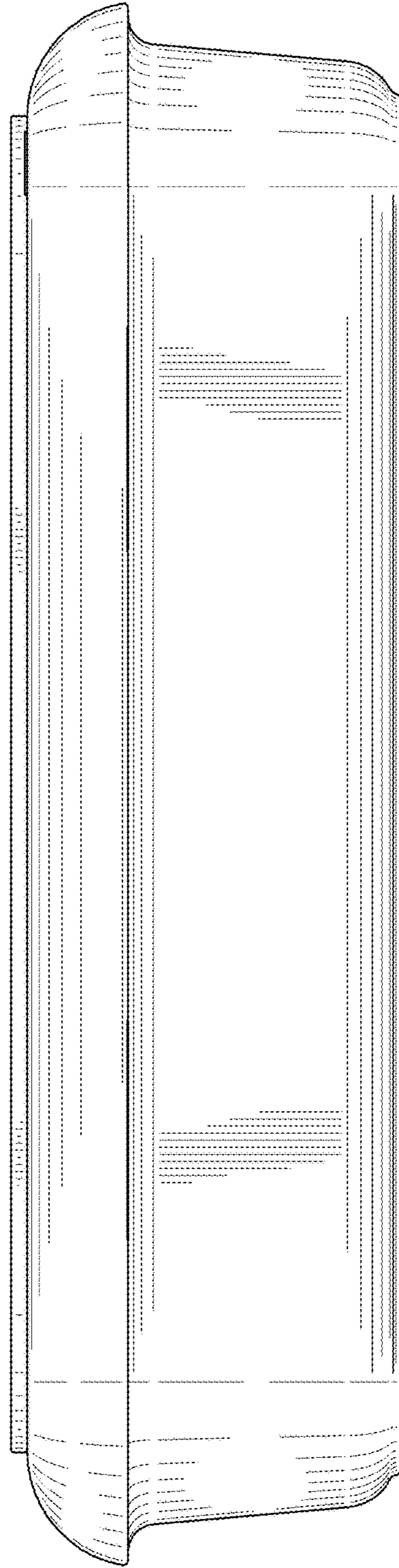


FIG. 6

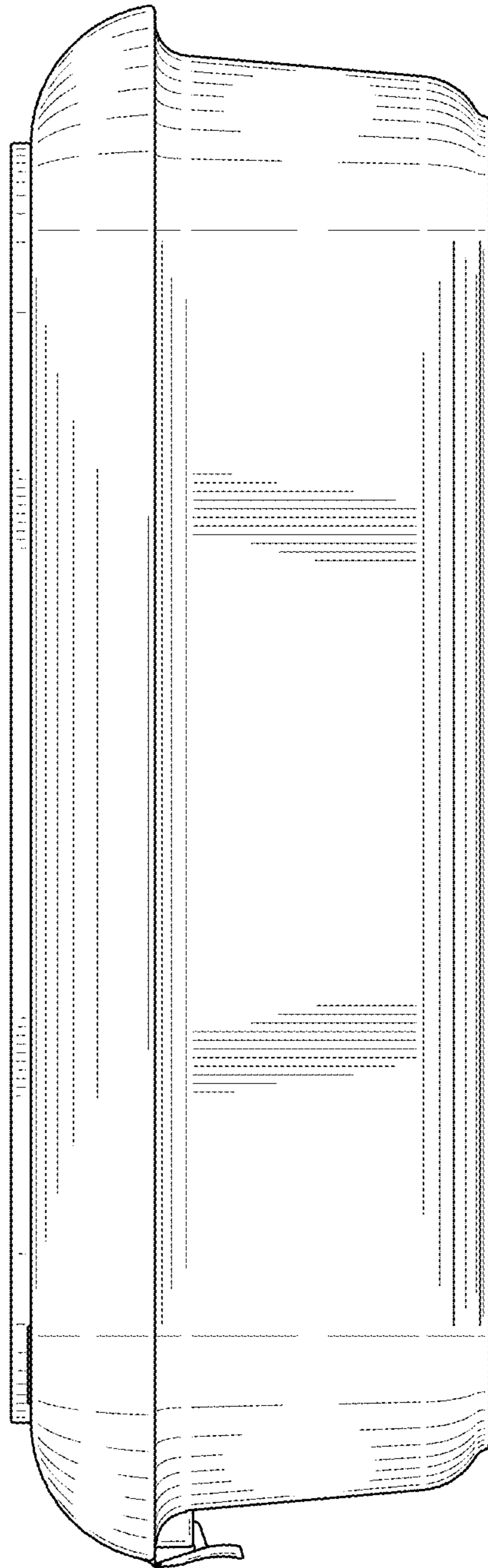


FIG. 7



FIG. 8