



US00D814873S

(12) **United States Design Patent** (10) **Patent No.:** **US D814,873 S**
Roberts (45) **Date of Patent:** **** Apr. 10, 2018**

(54) **NOVELTY CONFECTIONERY DISPENSER**
 (71) Applicant: **Candyrific, LLC**, Louisville, KY (US)
 (72) Inventor: **Paul A. Roberts**, St. Louis, MO (US)
 (73) Assignee: **Candyrific, LLC**, Louisville, KY (US)
 (**) Term: **15 Years**
 (21) Appl. No.: **29/557,491**
 (22) Filed: **Mar. 9, 2016**
 (51) **LOC (11) Cl.** **07-07**
 (52) **U.S. Cl.**
 USPC **D7/589**
 (58) **Field of Classification Search**
 USPC D7/589, 590, 591, 592, 593, 594, 595,
 D7/596, 597, 599, 600.1, 601, 602, 605,
 D7/608, 612, 613, 614, 615, 619.1, 619.2,
 D7/621, 622, 623, 625, 709, 710, 628,
 D7/629, 640, 641; D9/600, 601, 614,
 D9/623, 624, 625, 628, 715, 716, 719,
 D9/730, 737, 738, 743, 744, 761, 500,
 D9/503, 516, 517, 519, 549, 558, 559,
 D9/574
 CPC B65H 1/08; B65D 1/26; B65D 43/0206;
 B65D 43/0214; B65D 43/00; B65D 1/00;
 B65D 1/22; B65D 1/32; B65D 1/14;
 B65D 1/24; B65D 1/34; B65D 3/00;
 B65D 3/02; B65D 5/00; B65D 5/0085;
 B65D 5/009; B65D 5/18; B65D 7/00;
 B65D 7/02; B65D 11/00; B65D 11/02;
 B65D 11/10; B65D 39/00; B65D 25/38;
 B65D 11/20; B65D 77/065; B65D
 2209/00; B65D 2/08; B65D 75/527;
 B65D 75/5883; B65D 75/566; B65D
 43/163; B65D 43/00231; B65D 51/24;
 B65D 33/16; B65D 33/1666; A47J 47/02;
 A47J 47/08; A47J 47/10; A47G 19/00;
 A47G 19/32; A47G 23/00
 See application file for complete search history.

(56) **References Cited**
 U.S. PATENT DOCUMENTS
 2,656,074 A * 10/1953 Vivolo A47G 19/24
 222/173
 D182,708 S * 5/1958 Bramming D7/608
 3,245,565 A * 4/1966 Zeppenfeld A47J 41/02
 215/12.1
 3,567,085 A * 3/1971 Flores A61J 1/03
 206/204
 D230,954 S * 3/1974 Gregorietti D9/504
 D231,616 S * 5/1974 Hiltobrant et al. D24/224
 D245,750 S * 9/1977 Maclean D7/591
 D261,105 S * 10/1981 Schwartz D9/504
 D262,438 S * 12/1981 Sears D9/503
 4,346,815 A * 8/1982 Raymor B65D 1/46
 215/321
 D272,223 S * 1/1984 Daenen D7/629
 D278,599 S * 4/1985 Lane D9/529

(Continued)

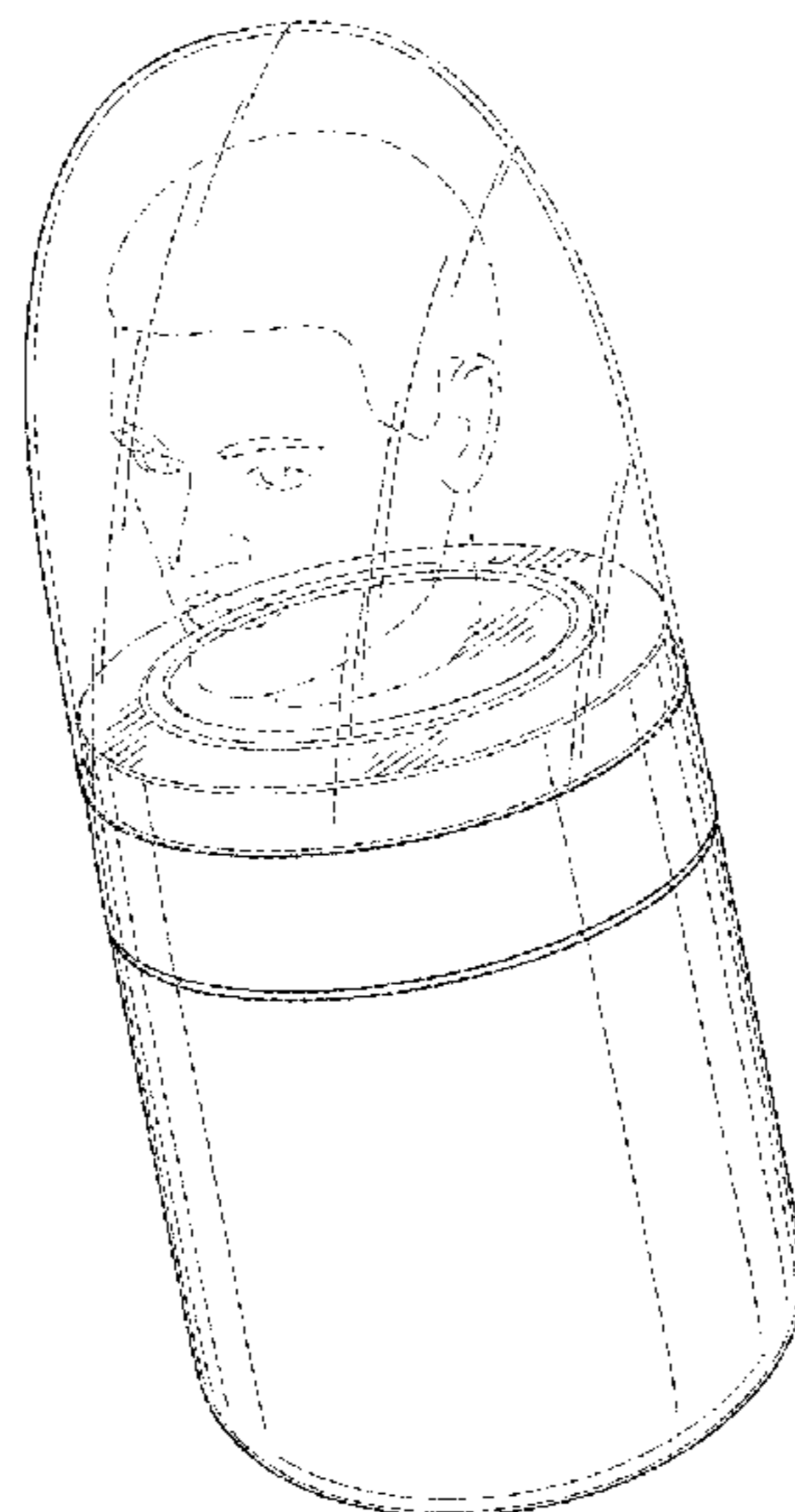
Primary Examiner — Shannon W Morgan
 (74) *Attorney, Agent, or Firm* — Stites & Harbison,
 PLLC; David W. Nagle, Jr.; James R. Hayne

(57) **CLAIM**
 The ornamental design for a novelty confectionery dispenser, as shown and described.

DESCRIPTION

FIG. 1 is a front elevational view of a novelty confectionery dispenser showing the new design;
 FIG. 2 is a rear elevational view thereof;
 FIG. 3 is a left side elevational view thereof;
 FIG. 4 is a right side elevational view thereof;
 FIG. 5 is a top plan view thereof;
 FIG. 6 is a bottom plan view thereof; and,
 FIG. 7 is a top, front perspective view thereof.
 The broken lines in the figures depict portions of the novelty confectionery dispenser that form no part of the claimed design.

1 Claim, 4 Drawing Sheets



(56)

References Cited

U.S. PATENT DOCUMENTS

D284,252 S * 6/1986 Lichtenvort D7/597
 D346,958 S * 5/1994 Olson D32/35
 D349,047 S * 7/1994 Buchet D9/503
 D365,020 S * 12/1995 Dinand D9/503
 D365,500 S * 12/1995 Hansen D7/597
 D371,304 S * 7/1996 Onneweer D7/511
 D375,679 S * 11/1996 Russell D20/7
 D387,662 S * 12/1997 Bright D9/414
 D388,320 S * 12/1997 Lamb D9/435
 D388,329 S * 12/1997 Bright D9/414
 D390,755 S * 2/1998 Hotton D7/608
 D416,491 S * 11/1999 Gobe D28/76
 D422,455 S * 4/2000 Kato D7/608
 D431,969 S * 10/2000 Hurlbut D7/608
 D437,234 S * 2/2001 Schick D9/558
 D437,528 S * 2/2001 Kitamura D7/608
 D452,439 S * 12/2001 Bezek D9/502
 D488,675 S * 4/2004 Moore D7/608
 D497,778 S * 11/2004 Rich D7/608

D500,952 S * 1/2005 Moore D9/504
 D507,723 S * 7/2005 Bodum D7/510
 D517,869 S * 3/2006 Graves D7/300.1
 D533,032 S * 12/2006 Liu D7/608
 D539,265 S * 3/2007 Tompkins D14/189
 D566,451 S * 4/2008 Wang D7/300.1
 H2217 H * 6/2008 Smay D9/503
 D575,583 S * 8/2008 Morgan D7/509
 D587,533 S * 3/2009 Carreno D7/608
 D593,372 S * 6/2009 Carreno D7/608
 D593,414 S * 6/2009 Hunter D9/503
 D594,332 S * 6/2009 Nerubay D9/501
 D623,480 S * 9/2010 Moran D7/608
 D626,415 S * 11/2010 Kolano D9/503
 D641,631 S * 7/2011 Kawahara D7/510
 D660,655 S * 5/2012 Wahl D7/608
 D661,192 S * 6/2012 Hwang D9/504
 D675,485 S * 2/2013 Frank D7/629
 D702,092 S * 4/2014 Mettler D7/608
 D782,253 S * 3/2017 Boroski D7/608
 D798,151 S * 9/2017 Vivas D9/451

* cited by examiner

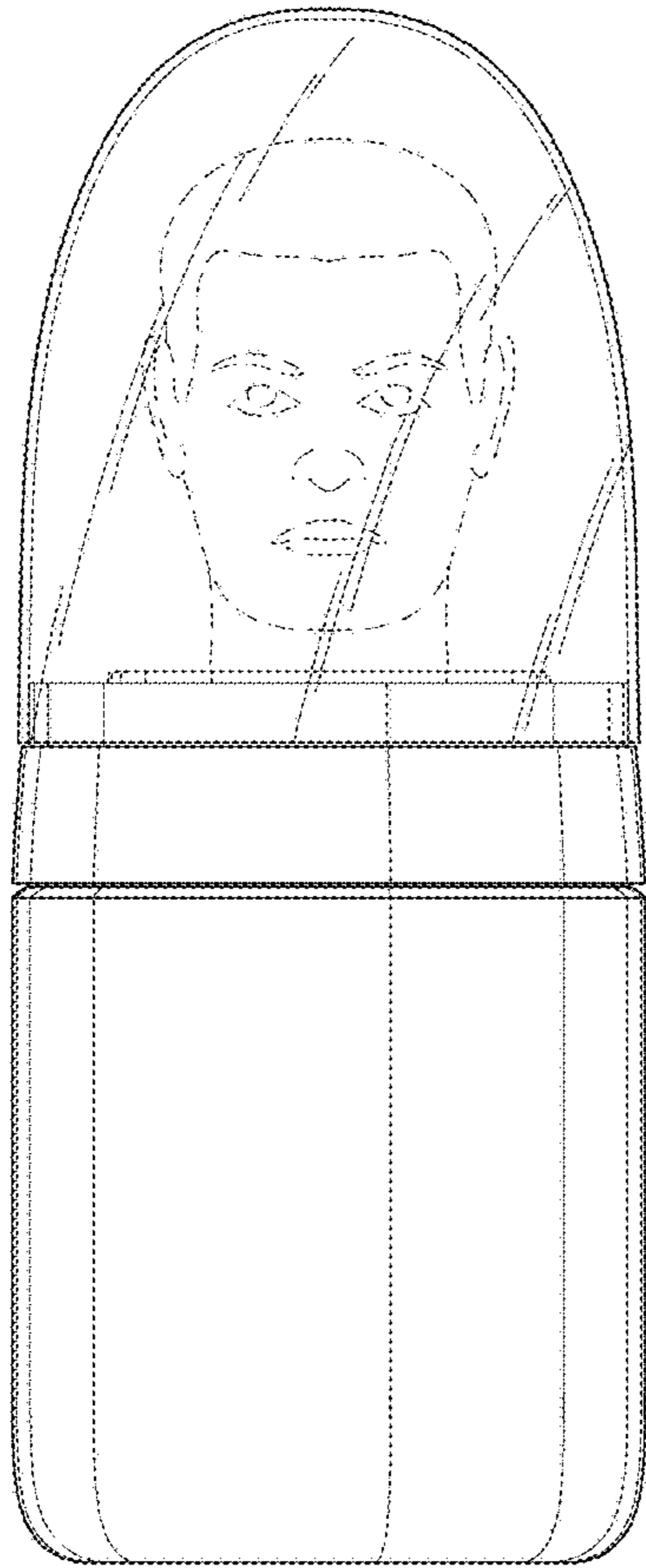


FIG. 1

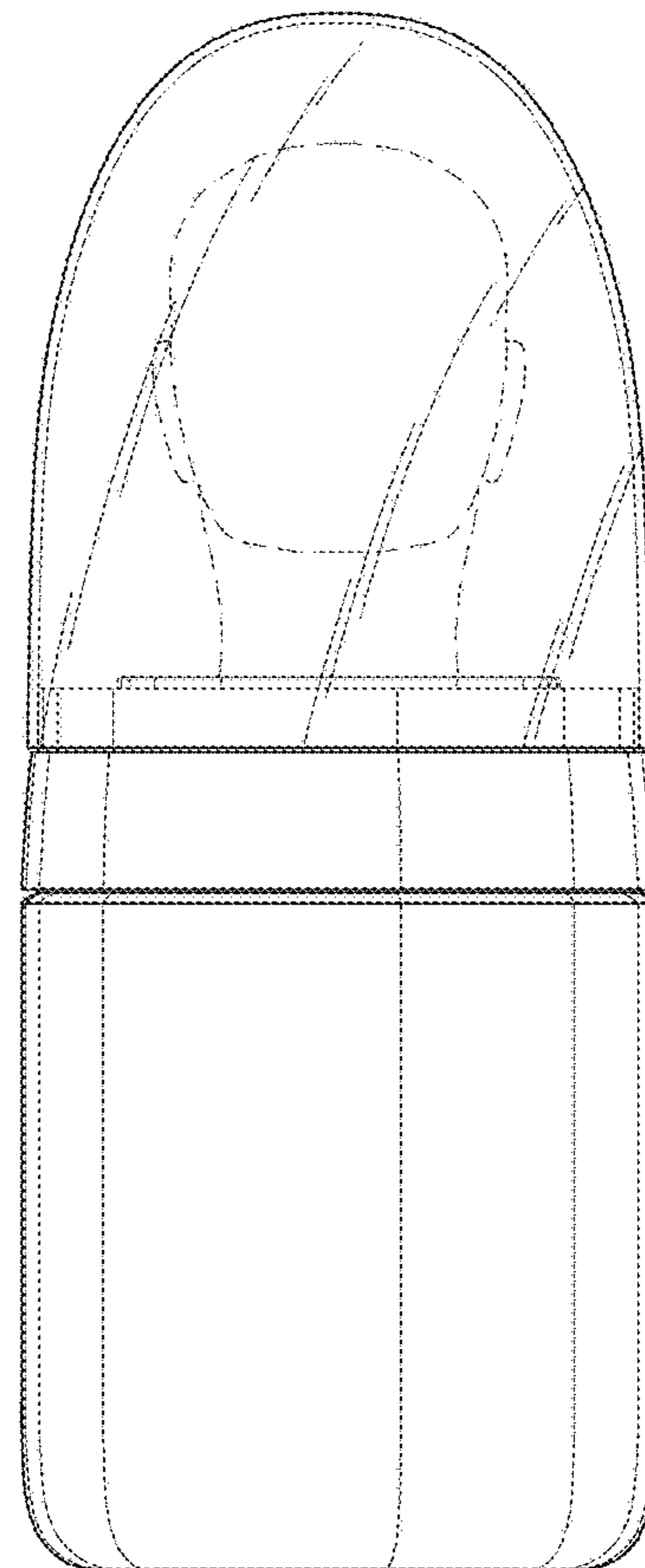


FIG. 2

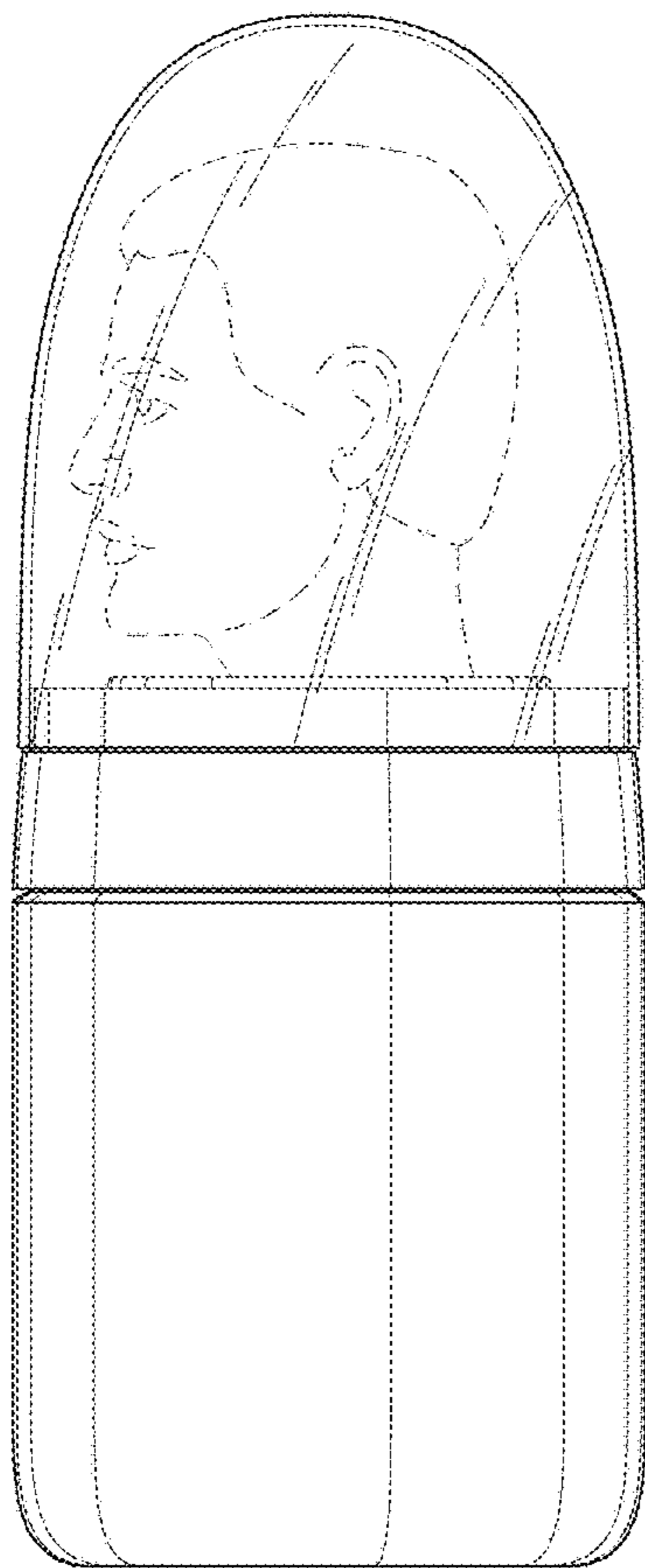


FIG. 3

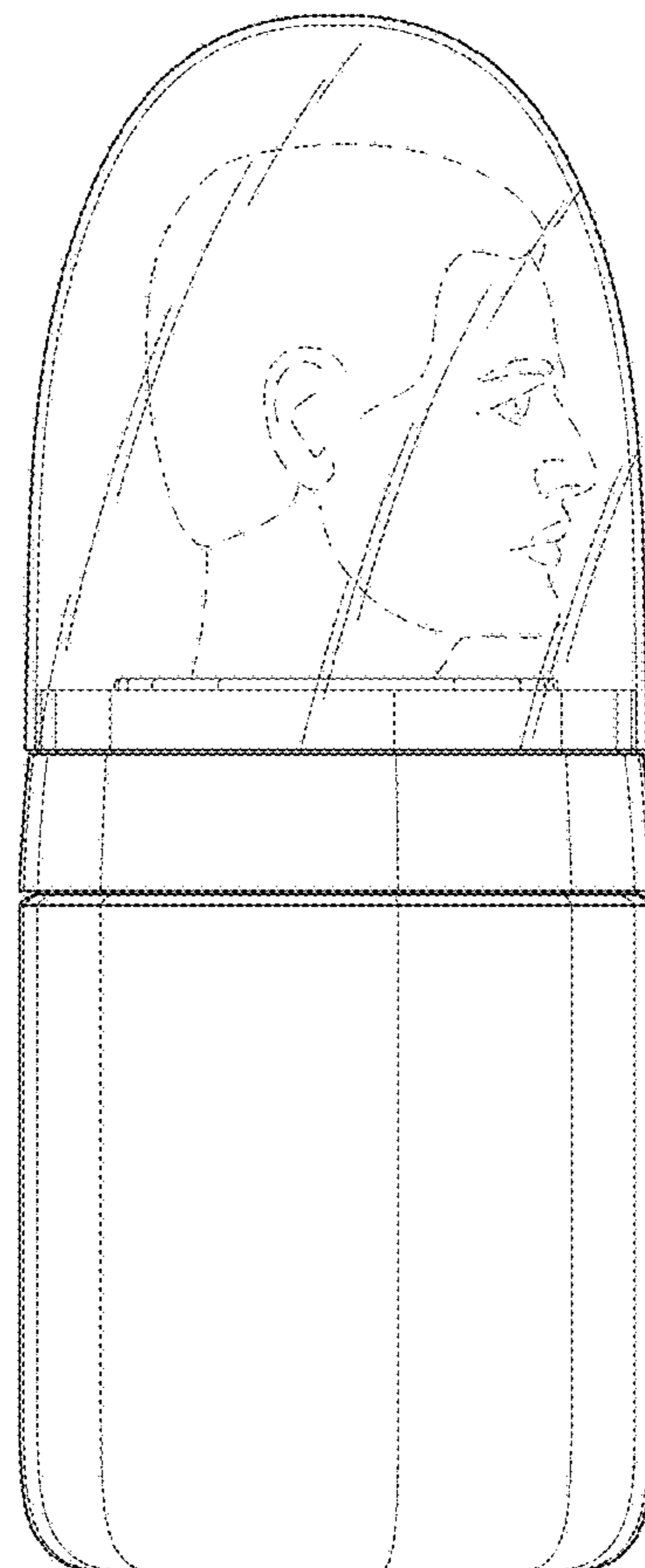


FIG. 4

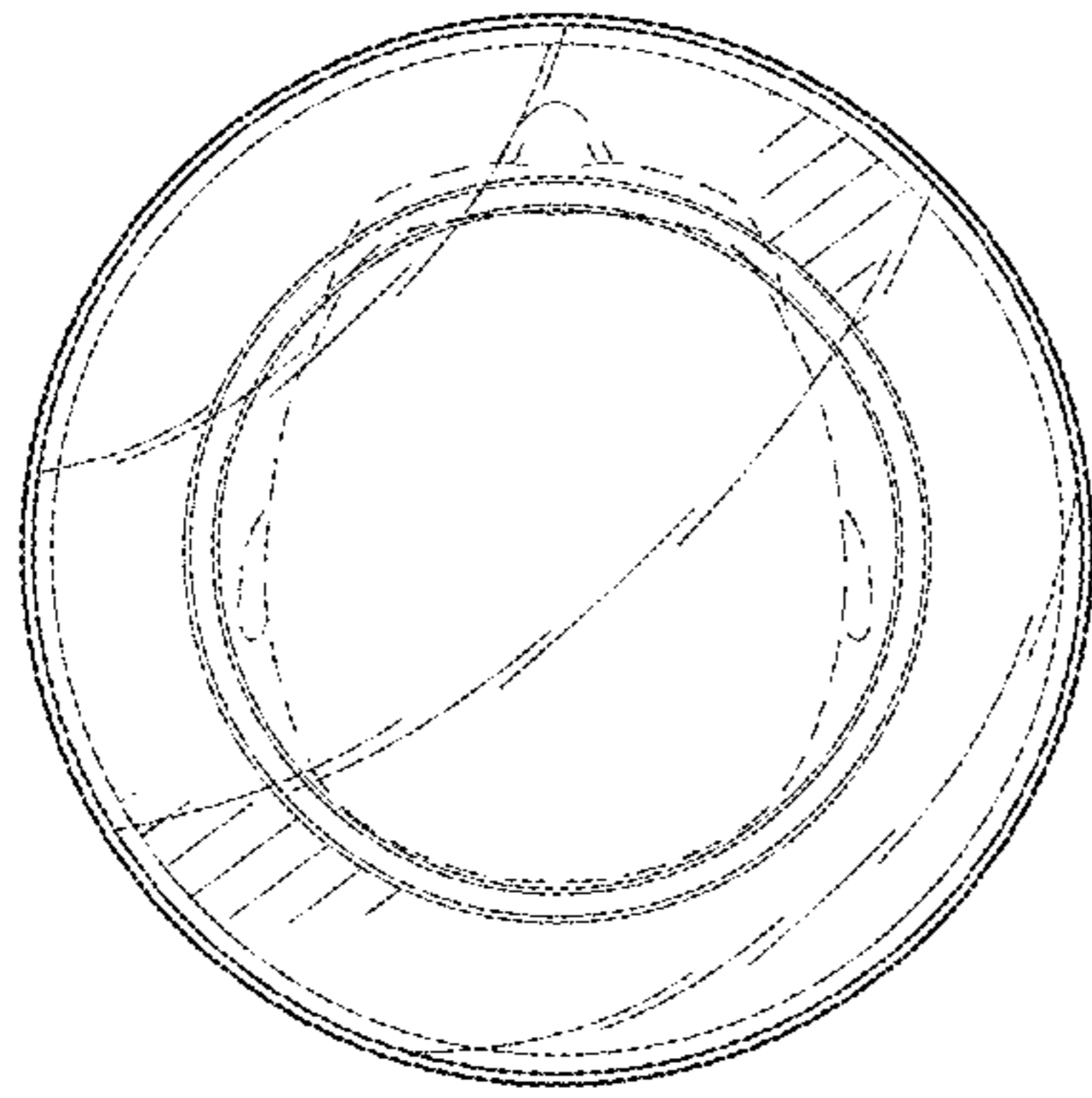


FIG. 5

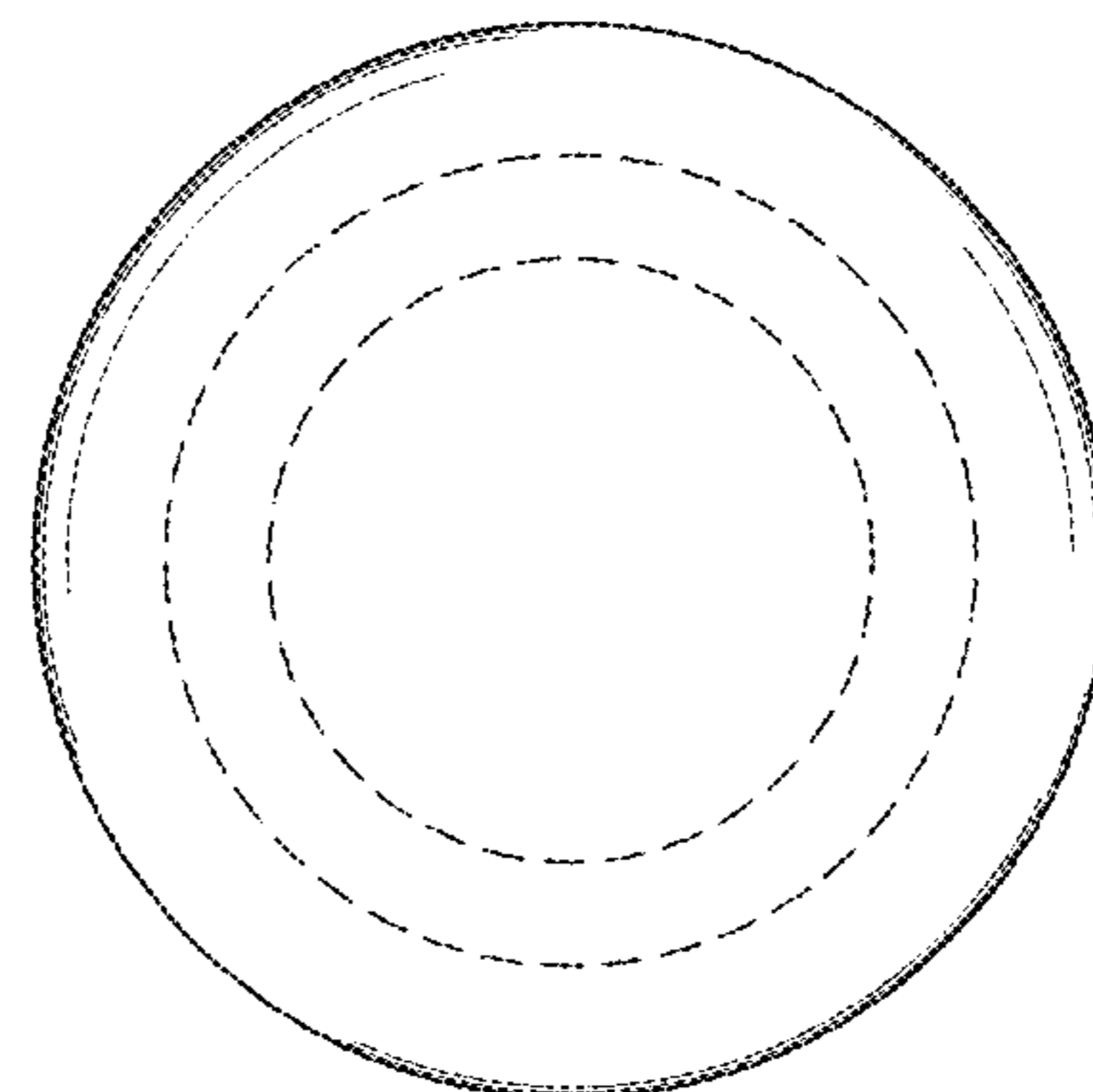


FIG. 6

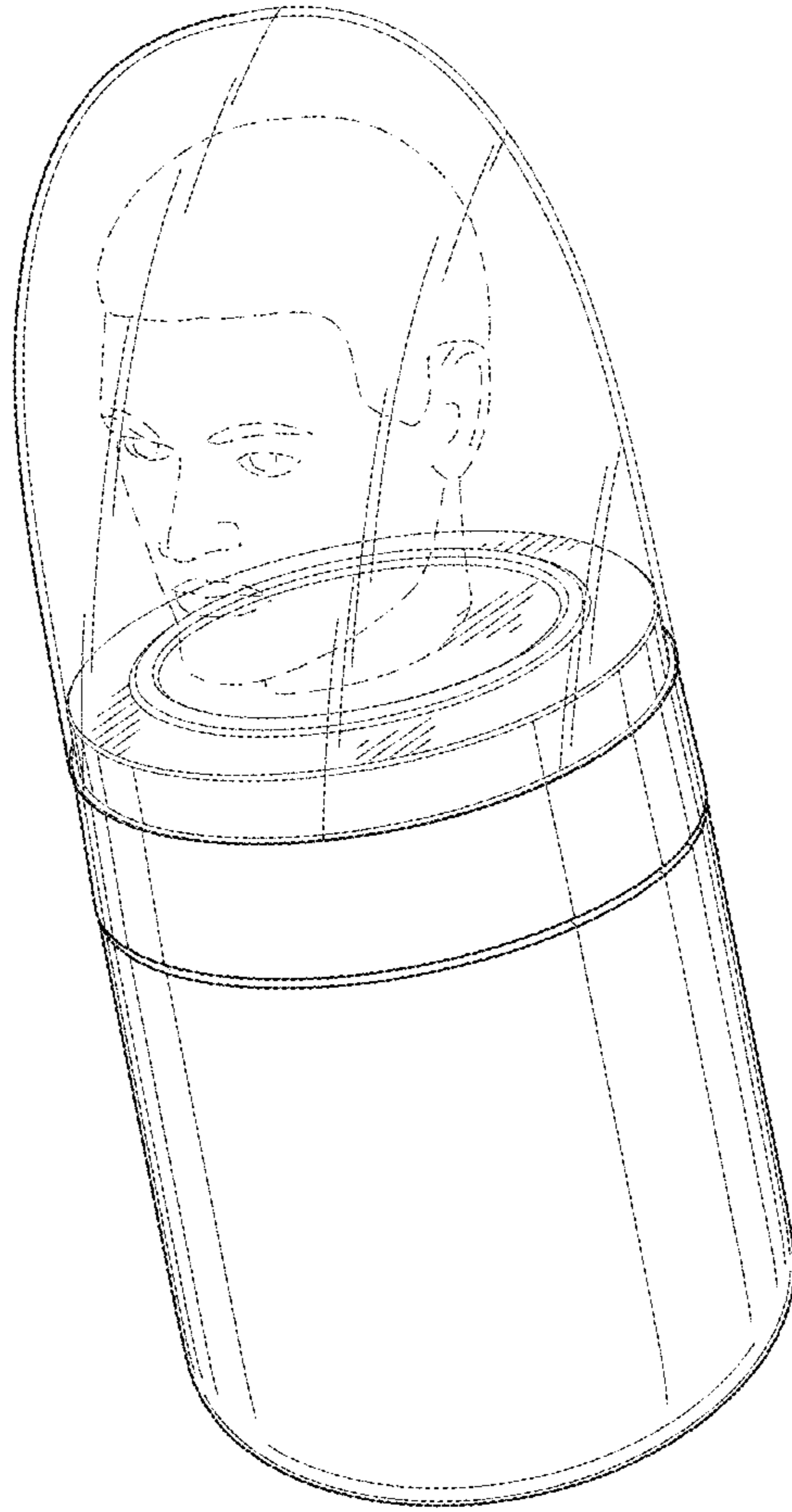


FIG. 7