



US00D814870S

(12) **United States Design Patent**  
**Spivey et al.**

(10) **Patent No.:** **US D814,870 S**  
(45) **Date of Patent:** **\*\* Apr. 10, 2018**

- (54) **TUMBLER WITH HANDLE**
- (71) Applicant: **Base Brands, LLC**, Atlanta, GA (US)
- (72) Inventors: **Patrick Spivey**, Atlanta, GA (US);  
**Kenneth Kreaflle**, Atlanta, GA (US)
- (73) Assignee: **Base Brands, LLC**, Atlanta, GA (US)
- (\*\*) Term: **15 Years**
- (21) Appl. No.: **29/575,821**
- (22) Filed: **Aug. 29, 2016**
- (51) **LOC (11) Cl.** ..... **07-01**
- (52) **U.S. Cl.**  
USPC ..... **D7/533**
- (58) **Field of Classification Search**  
USPC ..... D7/505, 507-511, 523, 531-536, 504,  
D7/515, 625, 622, 300.1; D9/504, 778;  
220/713  
CPC ..... A47G 19/22  
See application file for complete search history.

- D596,500 S 7/2009 Diss
- D600,071 S \* 9/2009 Carreno ..... D7/509
- D600,073 S \* 9/2009 Carreno ..... D7/509
- D625,951 S 10/2010 Baek
- D688,092 S 8/2013 Arnold
- D691,416 S 10/2013 Eyal
- D696,940 S 1/2014 Hale
- D698,244 S 1/2014 Lin
- D699,516 S 2/2014 Kim
- D713,686 S \* 9/2014 Eyal ..... D7/509
- D714,644 S 10/2014 Wagner
- D715,100 S 10/2014 Eyal
- D719,023 S 12/2014 Hu

(Continued)

(56) **References Cited**  
U.S. PATENT DOCUMENTS

- 2,304,214 A 12/1942 Straub
- 4,040,549 A 8/1977 Sadler
- D295,831 S 5/1988 Urion
- 5,294,014 A 3/1994 Wyatt
- 5,653,124 A 8/1997 Weber
- D386,948 S \* 12/1997 Wissinger ..... D7/511
- D398,187 S \* 9/1998 Parker ..... D7/510
- 6,098,834 A \* 8/2000 Hatsumoto ..... B65D 47/249  
220/212.5
- D481,591 S \* 11/2003 Lin ..... D7/510
- D493,068 S \* 7/2004 Slater ..... D7/510
- D539,609 S \* 4/2007 Ying ..... D7/510
- D565,901 S \* 4/2008 Edelstein ..... D7/510
- D577,548 S \* 9/2008 Homma ..... D7/533
- D584,106 S 1/2009 Wong
- D589,747 S 4/2009 Wong
- D591,103 S 4/2009 Wong

OTHER PUBLICATIONS

Reduce Everyday. Core Mug 12 oz. Aug. 19, 2014 [earliest online date], [site visited May 19, 2017]. Available from Internet, <URL:https://reduceeveryday.com/products/core-mug-12oz>.

*Primary Examiner* — Daniel D Bui  
*Assistant Examiner* — Andrew Kerr  
(74) *Attorney, Agent, or Firm* — Park, Vaughan, Fleming & Dowler LLP

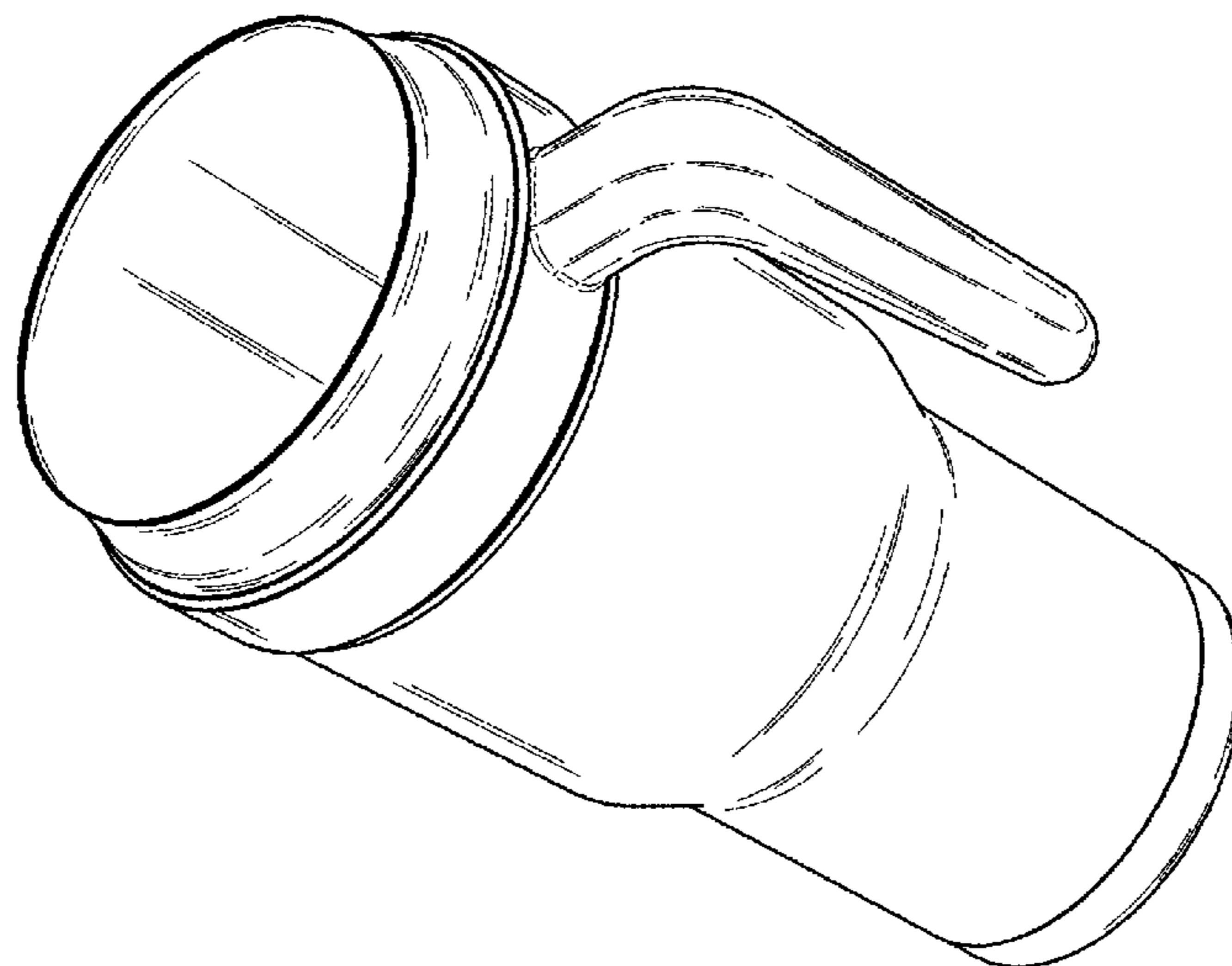
(57) **CLAIM**

The ornamental designs for a tumbler with handle, as shown and described.

**DESCRIPTION**

FIG. 1 is a top perspective view of a tumbler with handle, showing my new design;  
FIG. 2 is a bottom perspective view thereof;  
FIG. 3 is a front elevation view thereof;  
FIG. 4 is a back elevation view thereof;  
FIG. 5 is a top plan view thereof;  
FIG. 6 is a bottom plan view thereof;  
FIG. 7 is a left side elevation view thereof; and,  
FIG. 8 is a right side elevation view thereof.

**1 Claim, 3 Drawing Sheets**



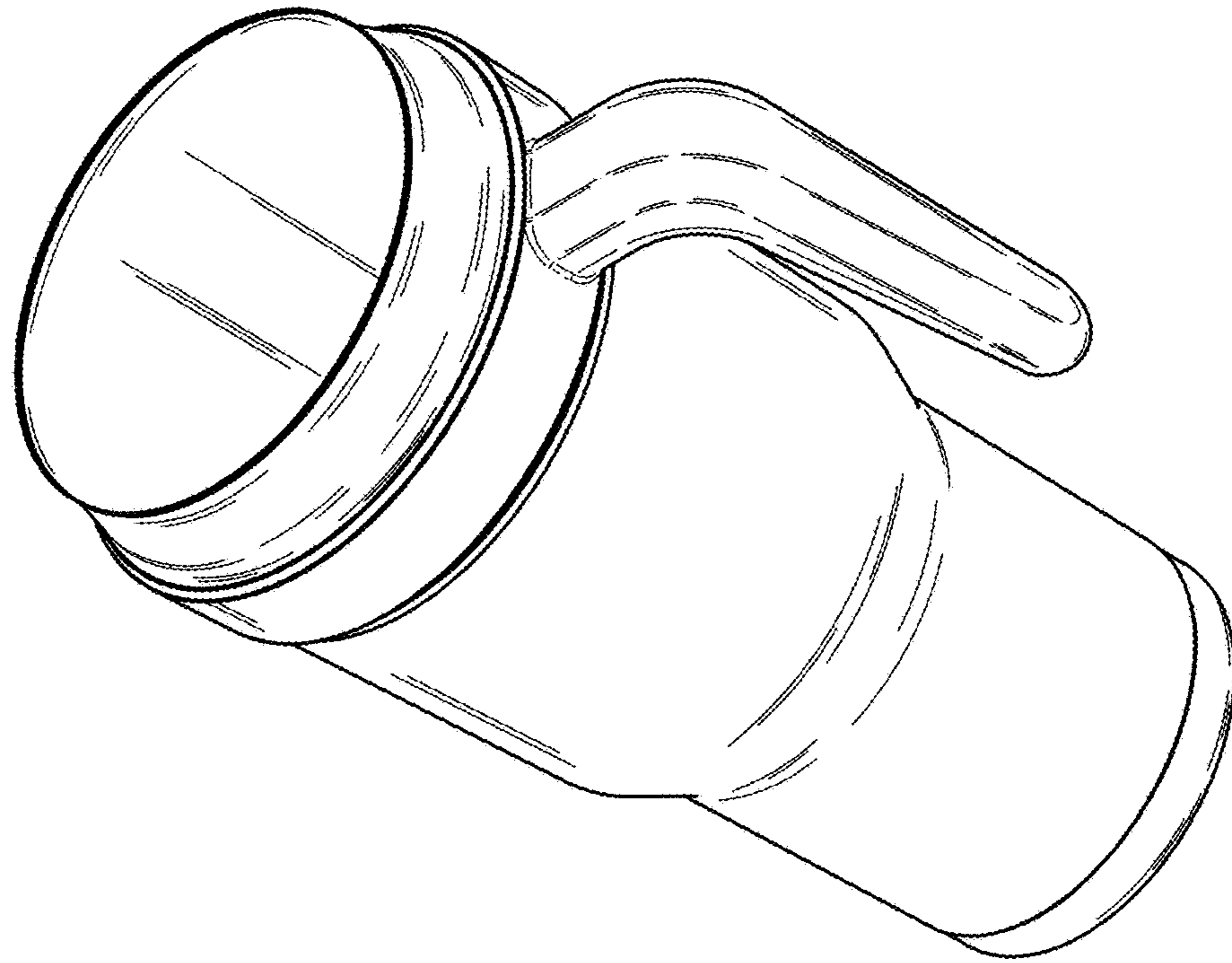
(56)

**References Cited**

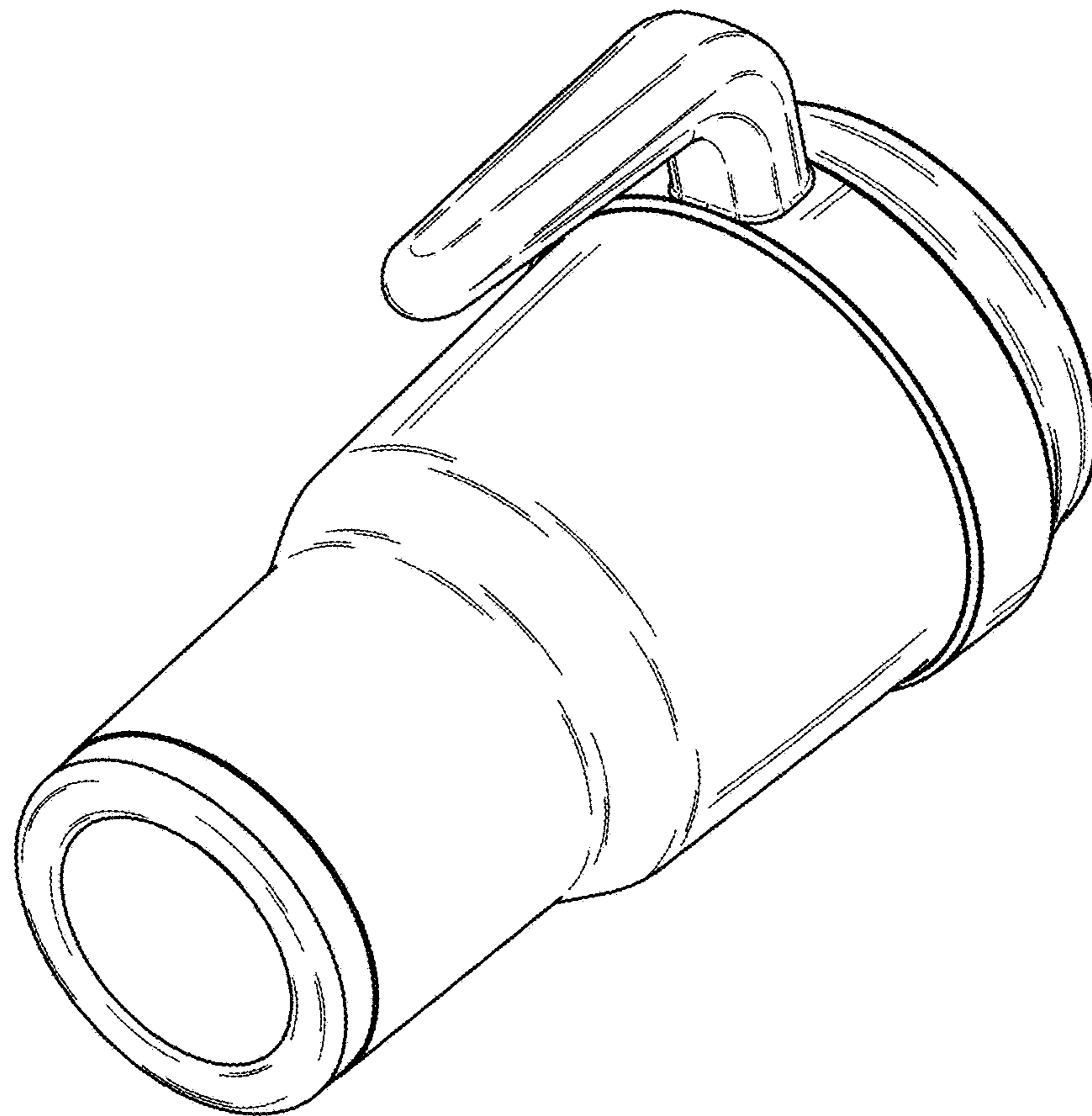
U.S. PATENT DOCUMENTS

8,899,440	B2	12/2014	Arnold
D721,535	S	1/2015	Chapman
D724,894	S	3/2015	Brosius
D731,251	S	6/2015	Lane
D747,199	S	1/2016	Phillips
D747,649	S	1/2016	Phillips
D751,338	S	3/2016	Seiders
D751,339	S	3/2016	Seiders
D751,340	S	3/2016	Seiders
D751,341	S	3/2016	Seiders
D753,442	S	4/2016	Weernink
D774,826	S	12/2016	Boroski
D776,564	S	1/2017	Seth-Andersson
D787,939	S	5/2017	Lam
D790,624	S	6/2017	Matsushita
D798,110	S	6/2017	Valenti
D802,365	S	11/2017	Yao
D803,064	S	11/2017	Marina
2010/0200602	A1	8/2010	Chan

\* cited by examiner



**FIG. 1**



**FIG. 2**

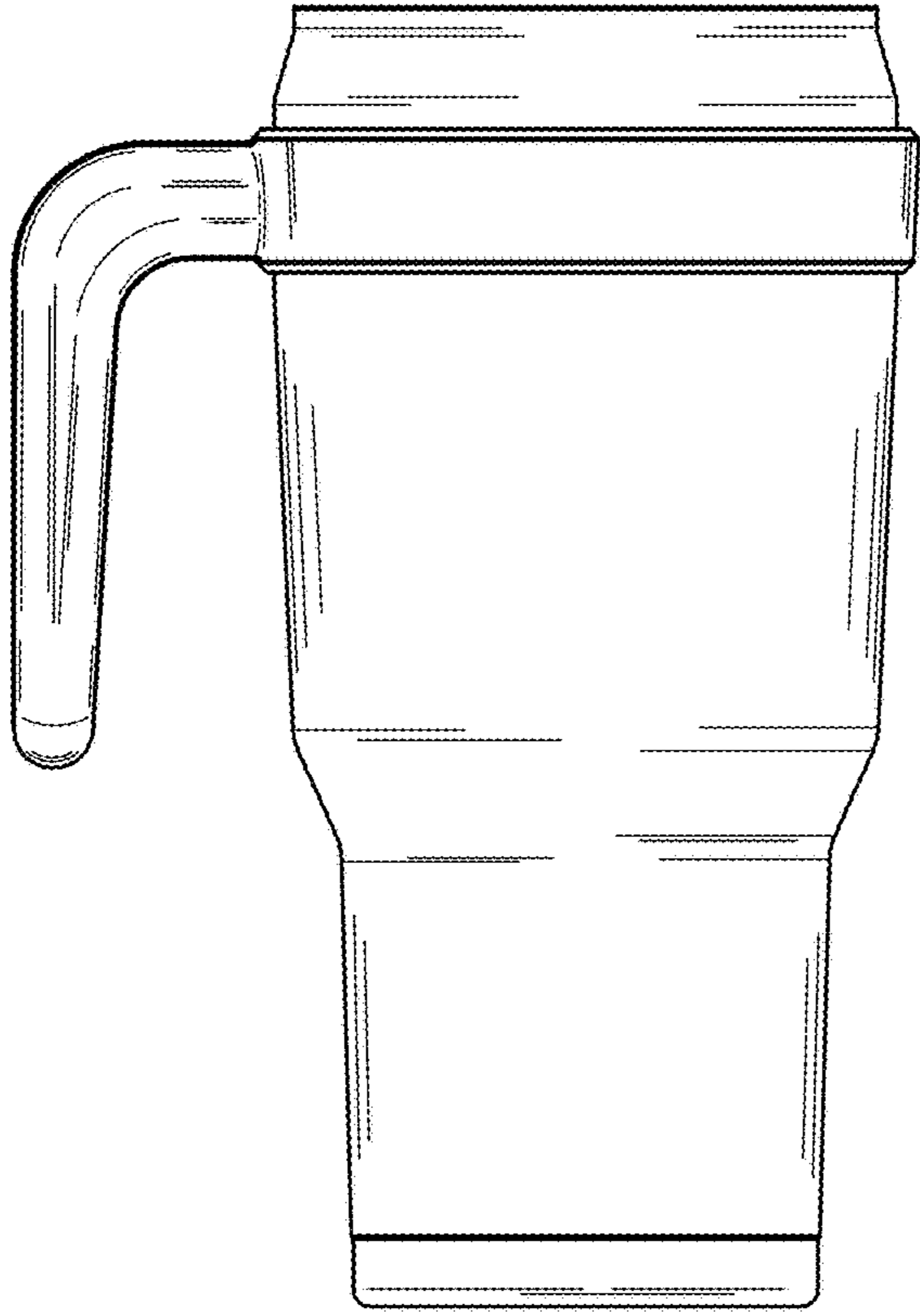


FIG. 3

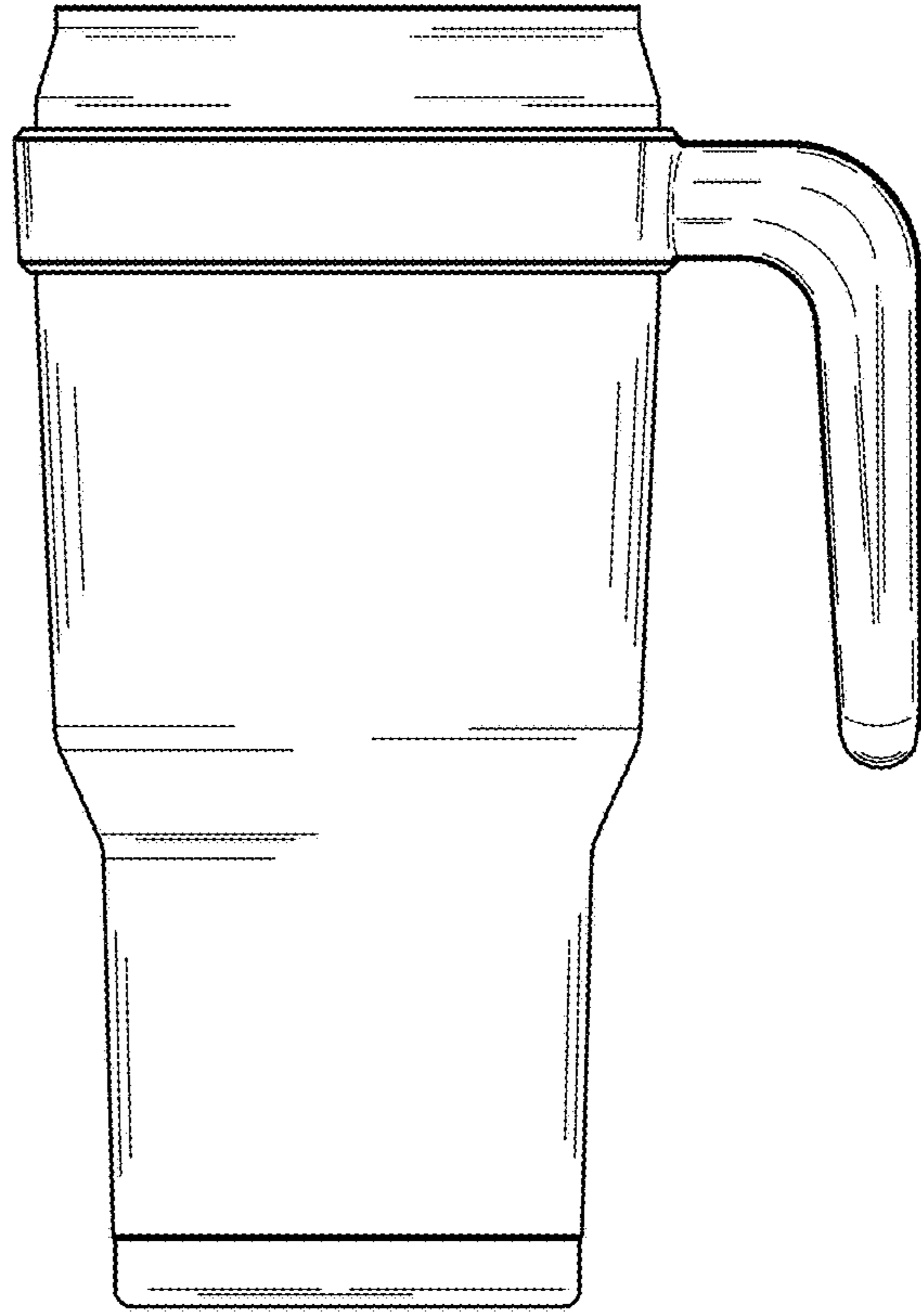


FIG. 4

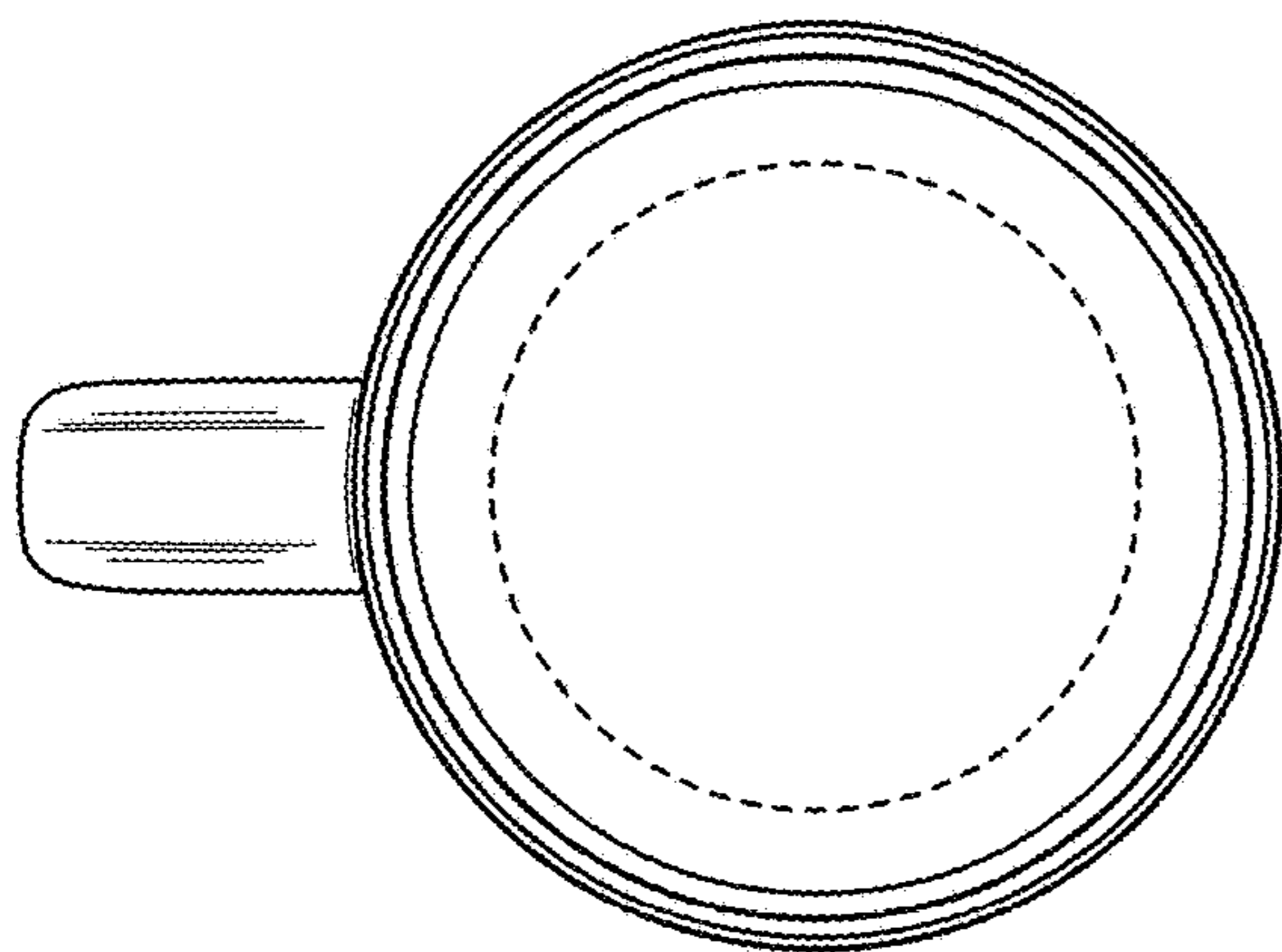


FIG. 5

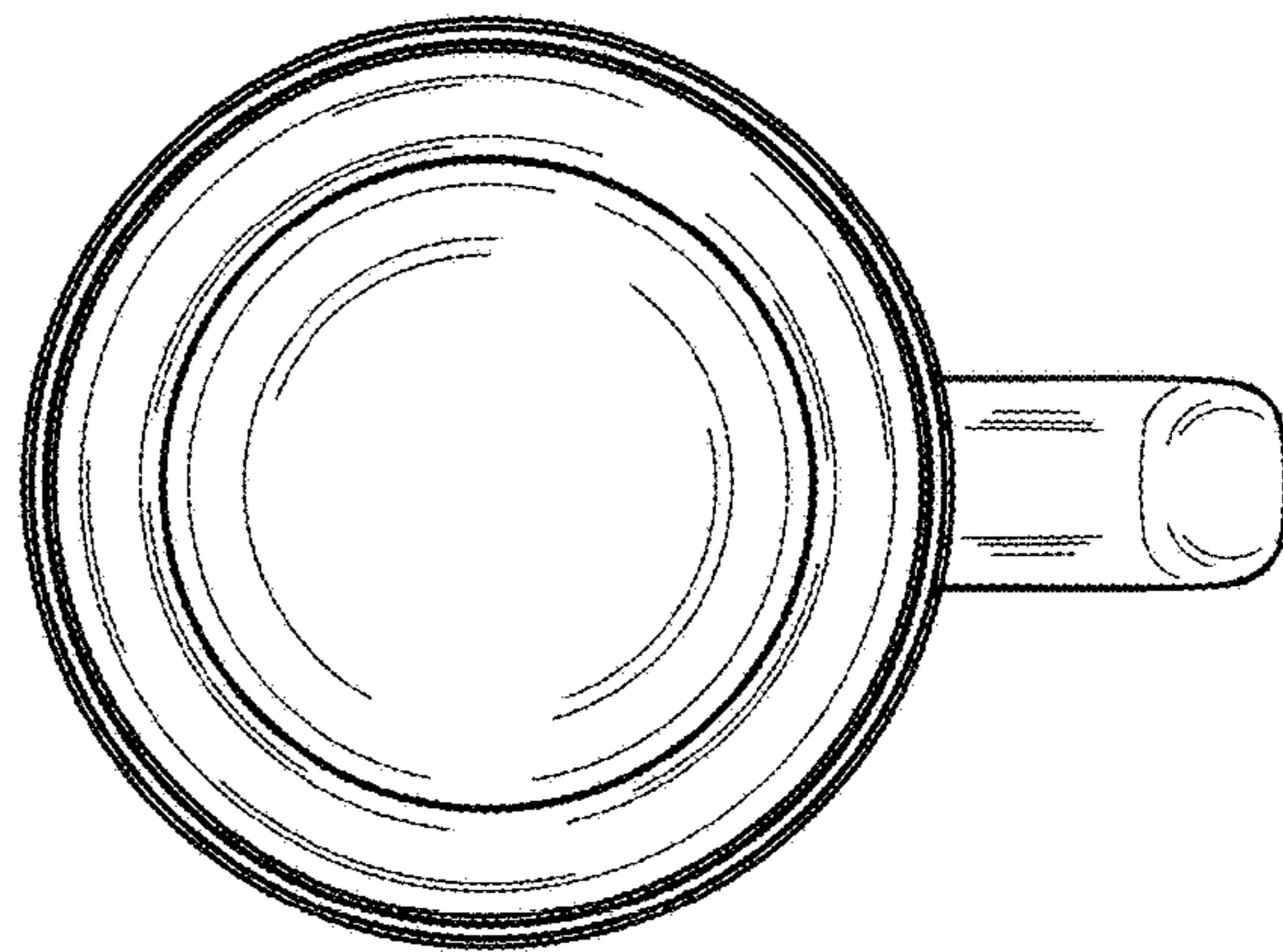
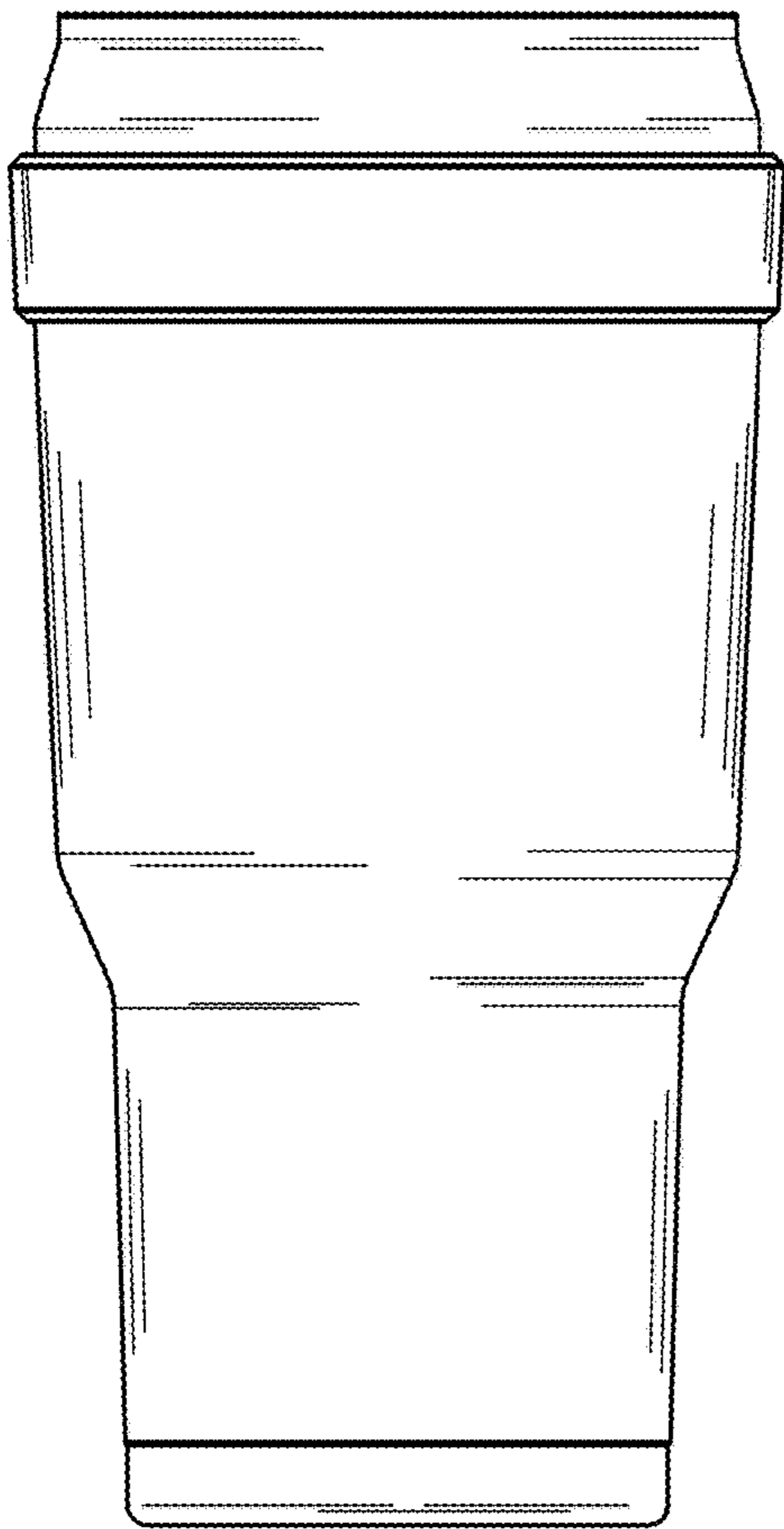
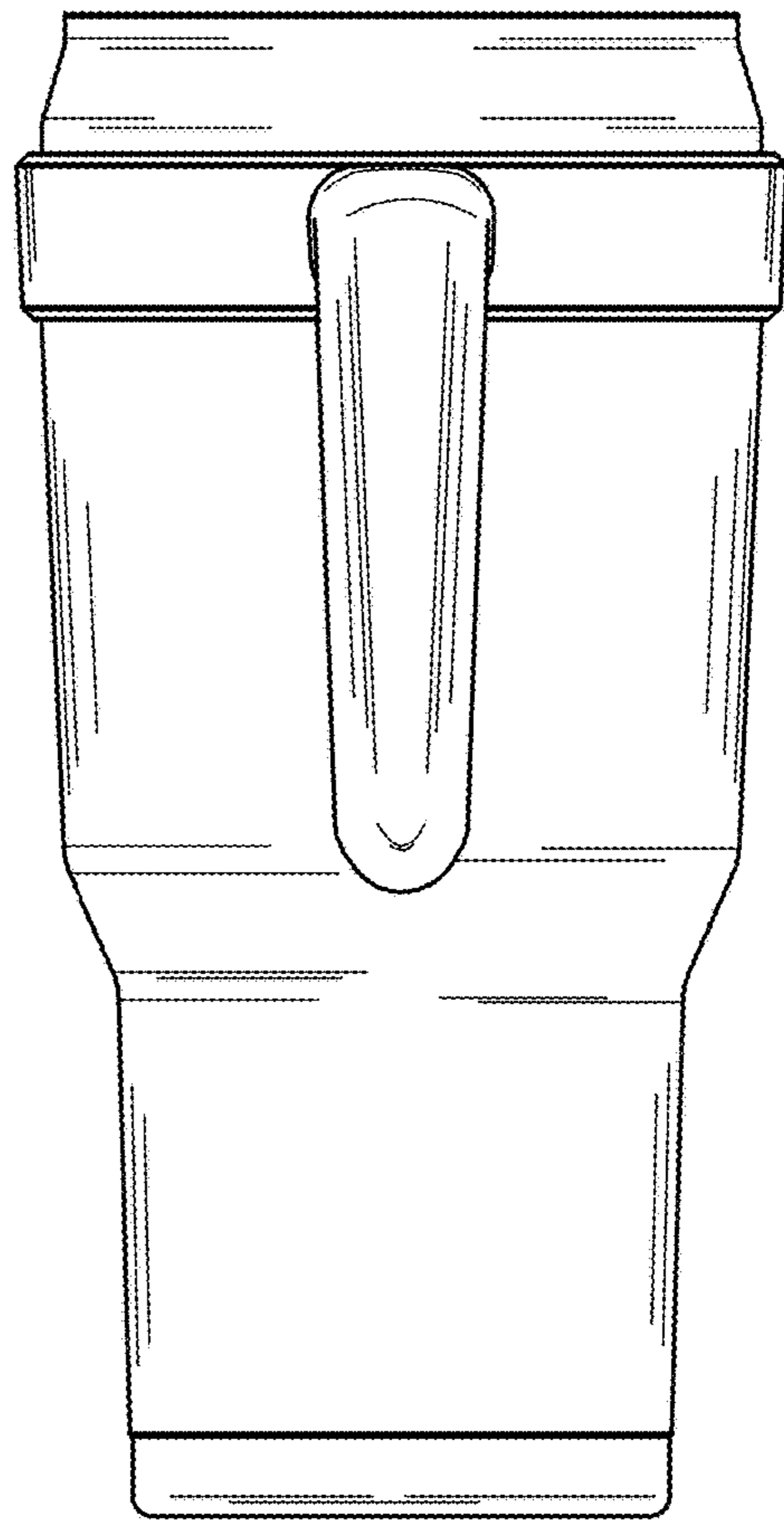


FIG. 6





*FIG. 7*



*FIG. 8*