



US00D814867S

(12) **United States Design Patent**
Steel et al.

(10) **Patent No.:** **US D814,867 S**
(45) **Date of Patent:** **** Apr. 10, 2018**

- (54) **MUG**
- (71) Applicants: **Jeffrey Steel**, Hoboken, NJ (US);
Jillian Walbroel, Woodland Park, NJ (US)
- (72) Inventors: **Jeffrey Steel**, Hoboken, NJ (US);
Jillian Walbroel, Woodland Park, NJ (US)
- (73) Assignee: **Cotapaxi Custom Design and Manufacturing LLC**, Carlstadt, NJ (US)
- (**) Term: **15 Years**
- (21) Appl. No.: **29/579,923**
- (22) Filed: **Oct. 4, 2016**
- (51) **LOC (11) Cl.** **07-01**
- (52) **U.S. Cl.**
USPC **D7/515; D7/510; D7/302; D9/680; D29/128**
- (58) **Field of Classification Search**
USPC **D7/300.1, 510, 511, 598, 599, 600, 608, D7/515, 302; 169/71; D9/680; D22/112; 102/486; D29/125, 126, 128; 220/713, 715**
CPC **A47G 19/22; A47G 21/18; A62C 13/003; A62C 13/66; F42B 12/24**
See application file for complete search history.

D328,832 S *	8/1992	Lai	D7/300.1
D461,117 S *	8/2002	Cheng	D22/112
D472,800 S *	4/2003	Levanen	D22/112
7,322,296 B2 *	1/2008	Ellis	F42B 27/08 102/482
D616,718 S *	6/2010	van der Lande	D3/210
D660,177 S *	5/2012	Ferenc	D22/112
D662,425 S *	6/2012	Barratt	D22/112
D683,235 S *	5/2013	Albert	D22/112
D698,601 S *	2/2014	Harris	D7/510
8,757,282 B2 *	6/2014	Rousseau	A62C 13/003 169/30
D708,071 S *	7/2014	Auth	D9/680
8,820,423 B2 *	9/2014	Rousseau	A62C 13/66 169/71
D722,888 S *	2/2015	Newcomer	D9/680
D752,989 S *	4/2016	Shawishian	D9/680
D760,007 S *	6/2016	Barratt	D29/126
D767,407 S *	9/2016	Newcomer	D9/680

* cited by examiner

Primary Examiner — Marianne Pandozzi

(74) *Attorney, Agent, or Firm* — Steven E. Shapiro

(57) **CLAIM**

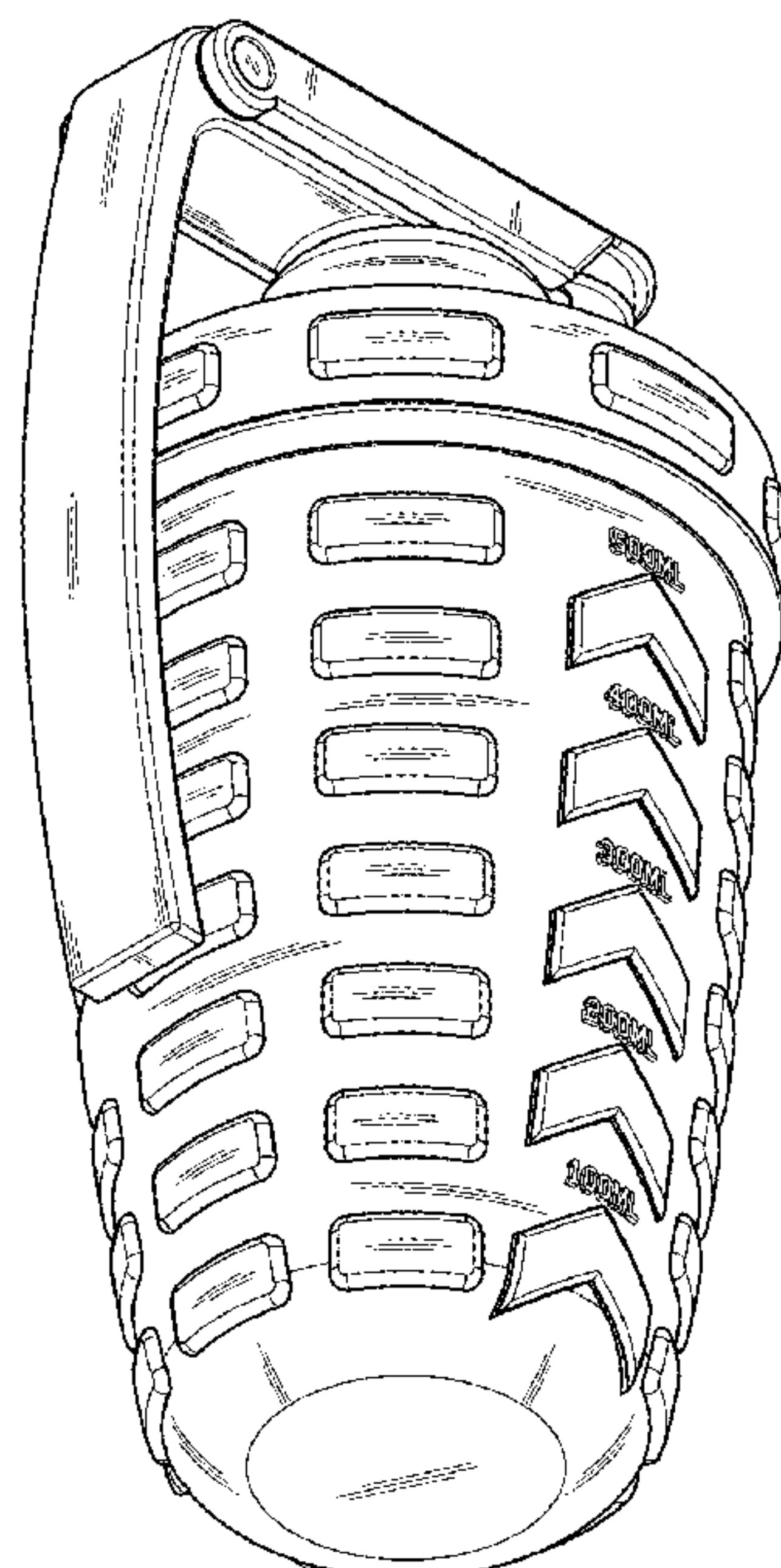
The ornamental design for a mug, as shown and described.

DESCRIPTION

FIG. 1 is a front perspective view of a mug;
 FIG. 2 is a rear perspective view of the mug;
 FIG. 3 is a front view of the mug;
 FIG. 4 is a rear view of the mug;
 FIG. 5 is a left side view of the mug;
 FIG. 6 is a right side view of the mug;
 FIG. 7 is a top view of the mug; and,
 FIG. 8 is a bottom view of the mug.

1 Claim, 8 Drawing Sheets

- (56) **References Cited**
U.S. PATENT DOCUMENTS
2,023,158 A * 12/1935 Williams F42B 12/24
102/482
4,328,755 A * 5/1982 Frost F42B 12/20
102/486



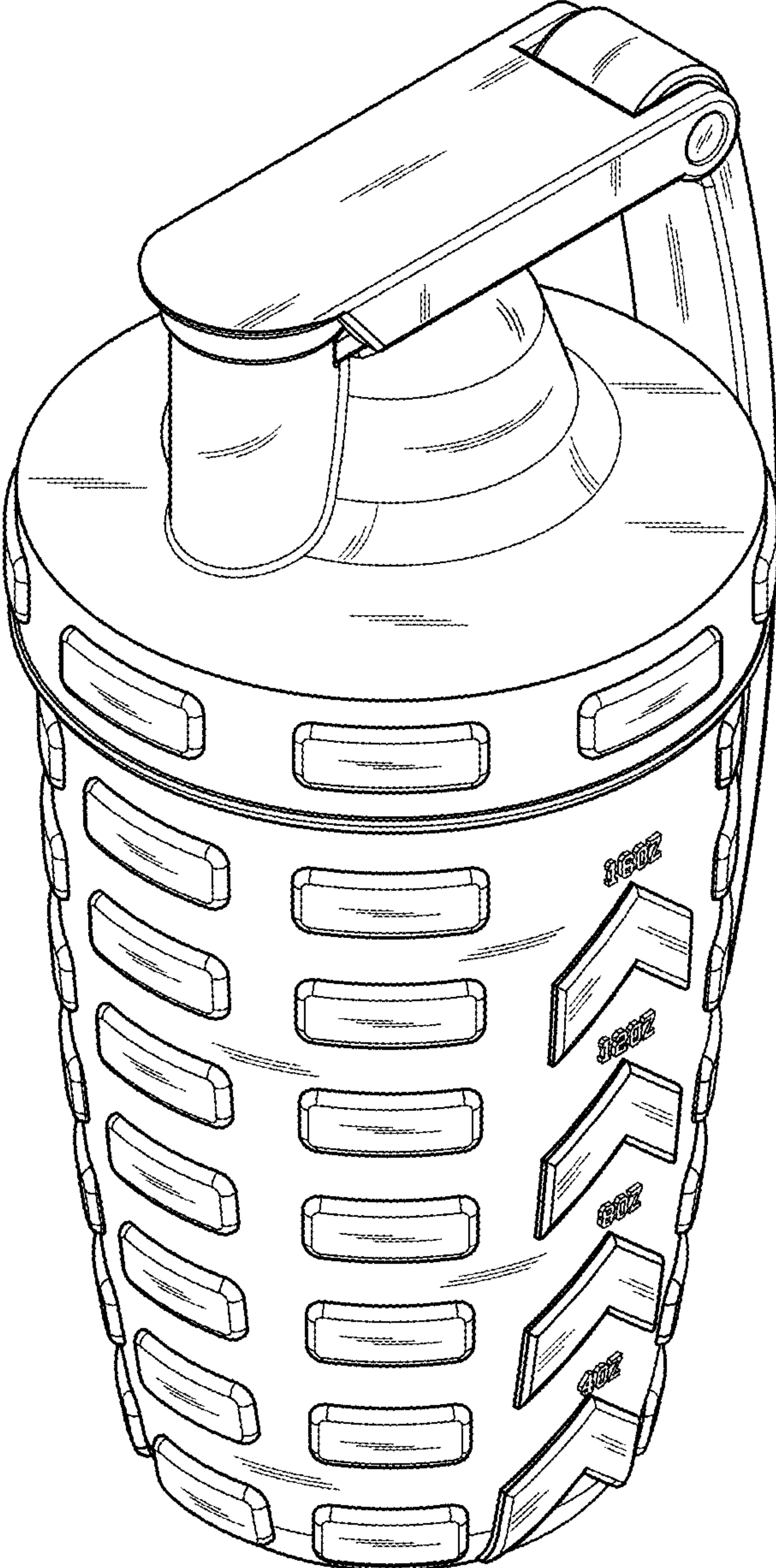


FIG. 1

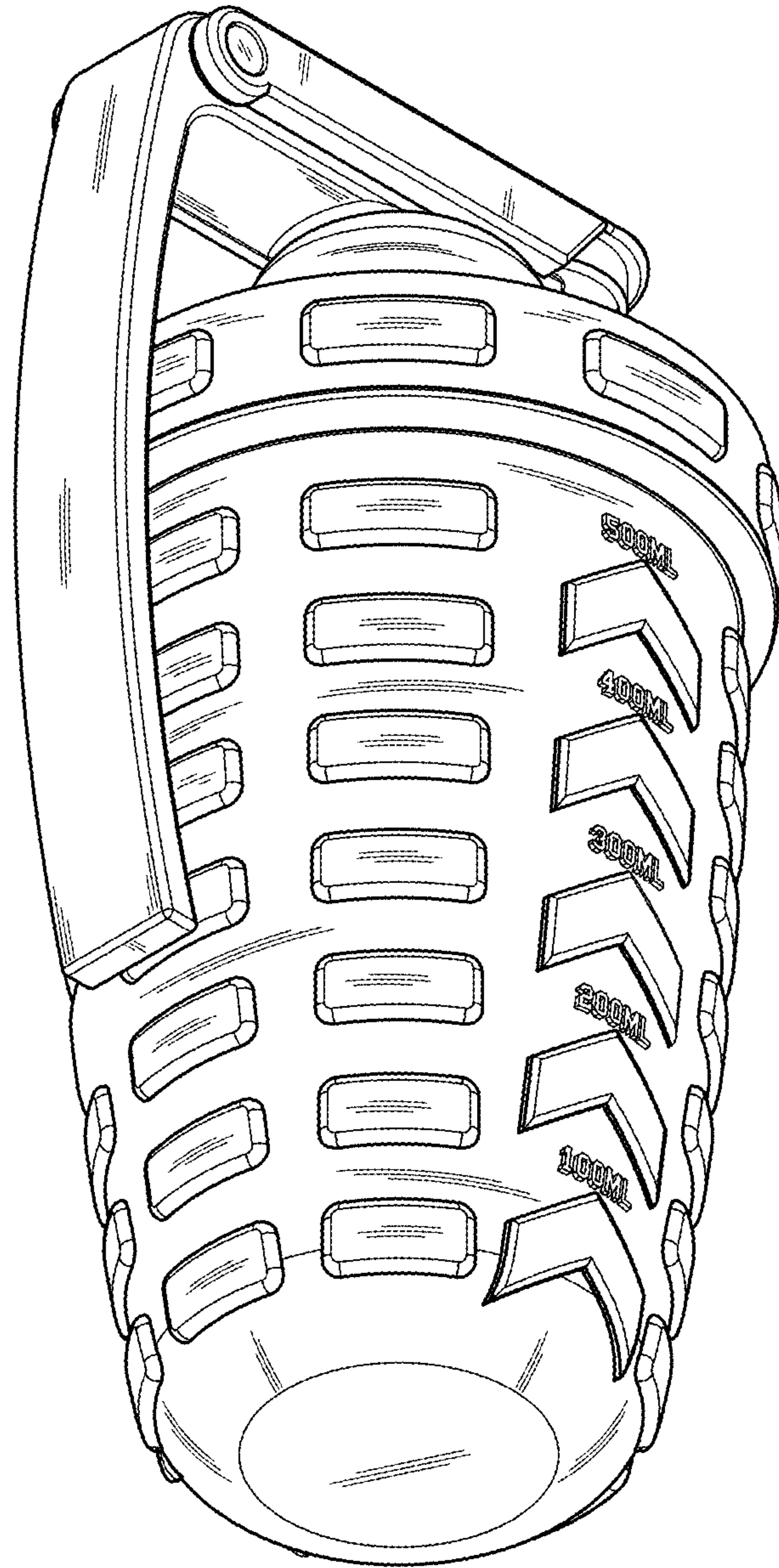


FIG. 2

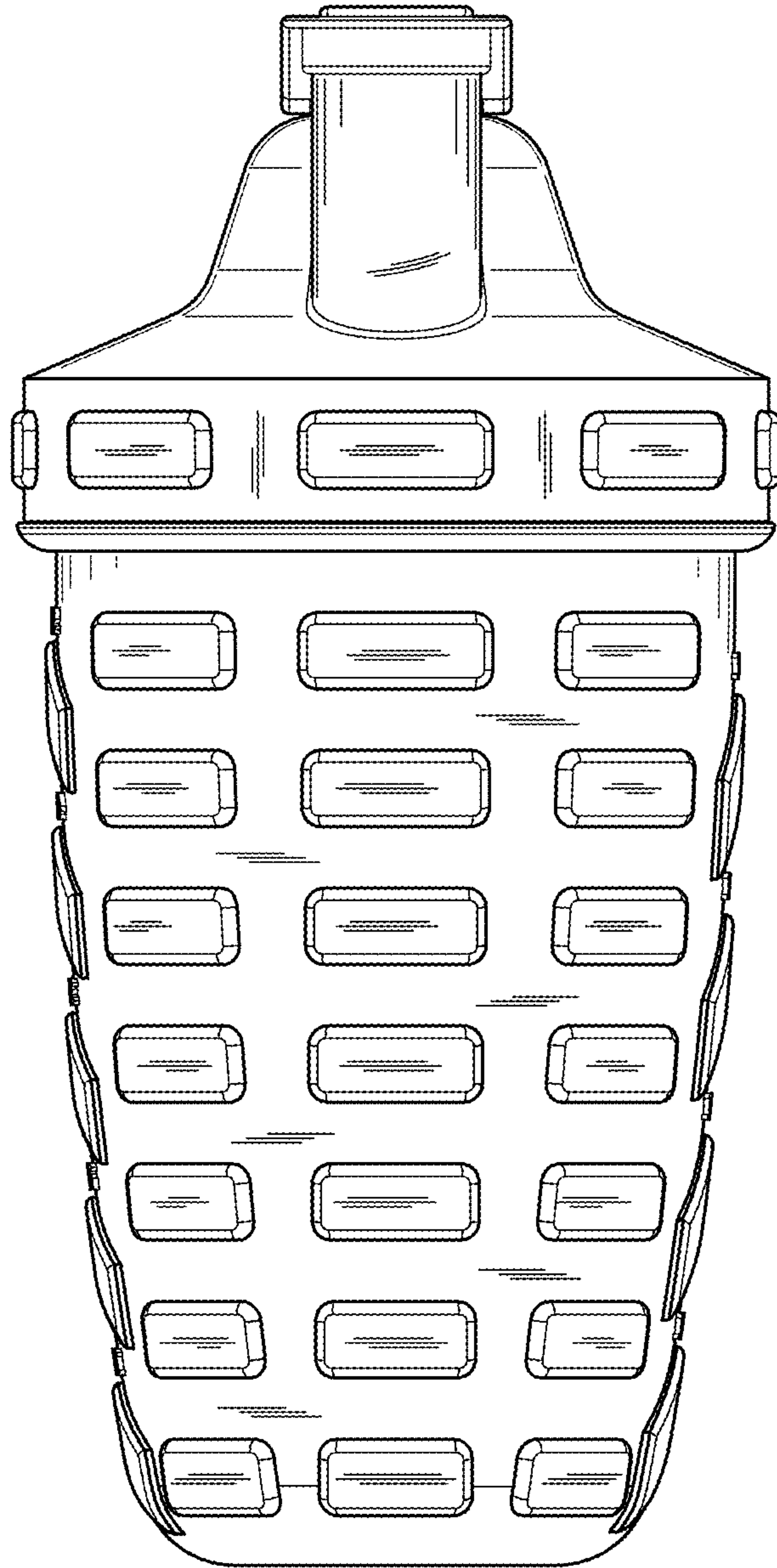


FIG. 3

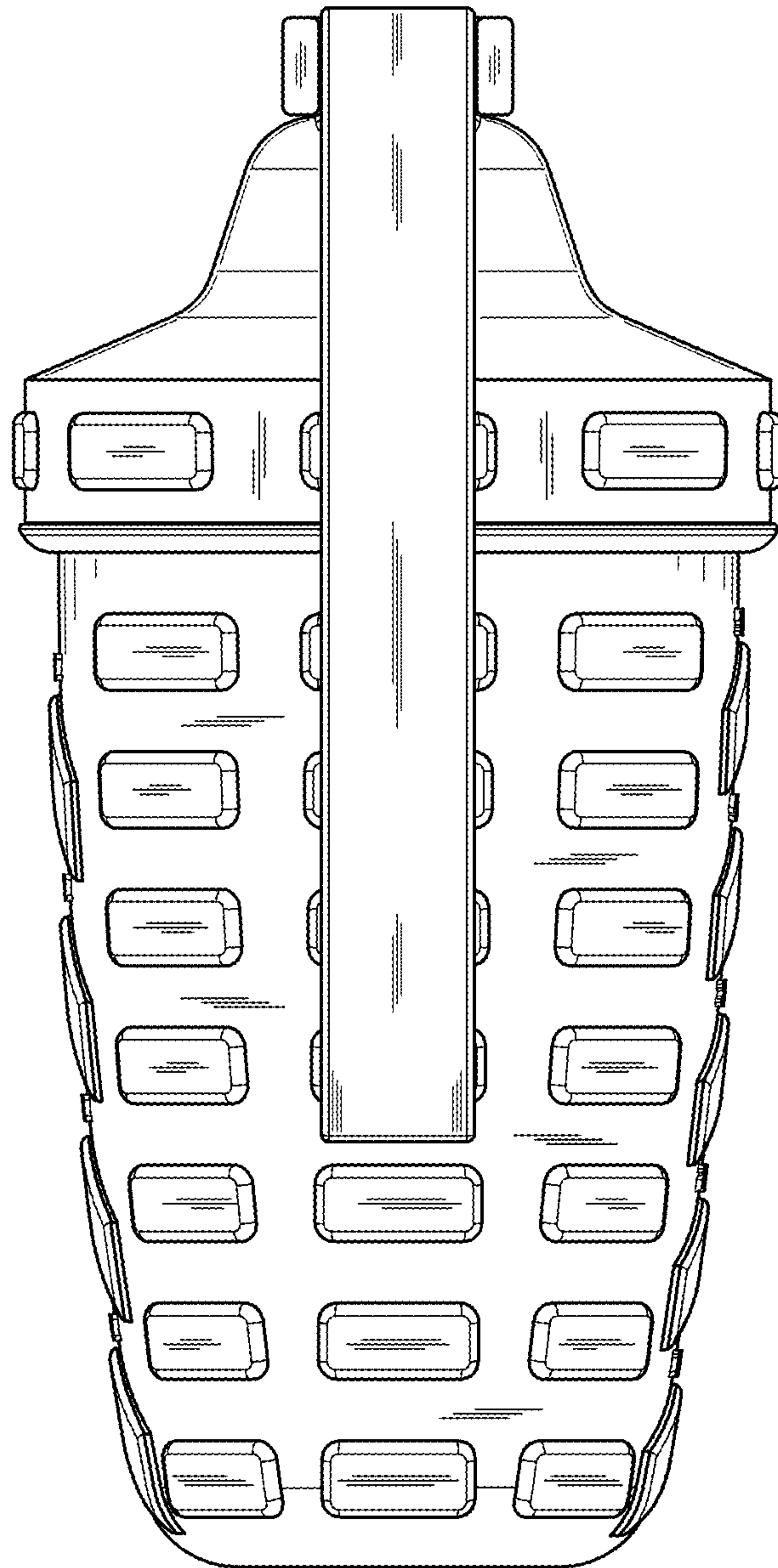


FIG. 4

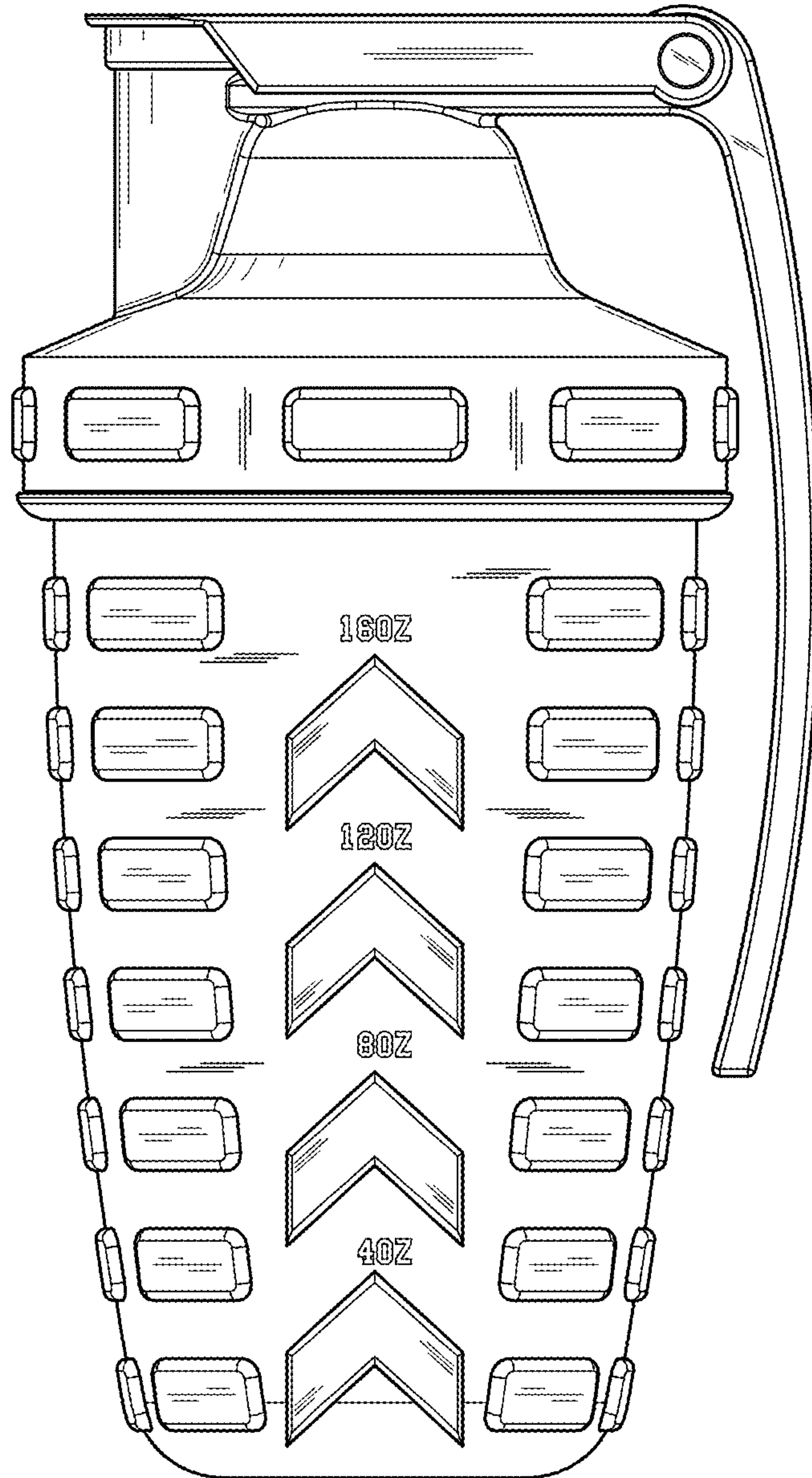


FIG. 6

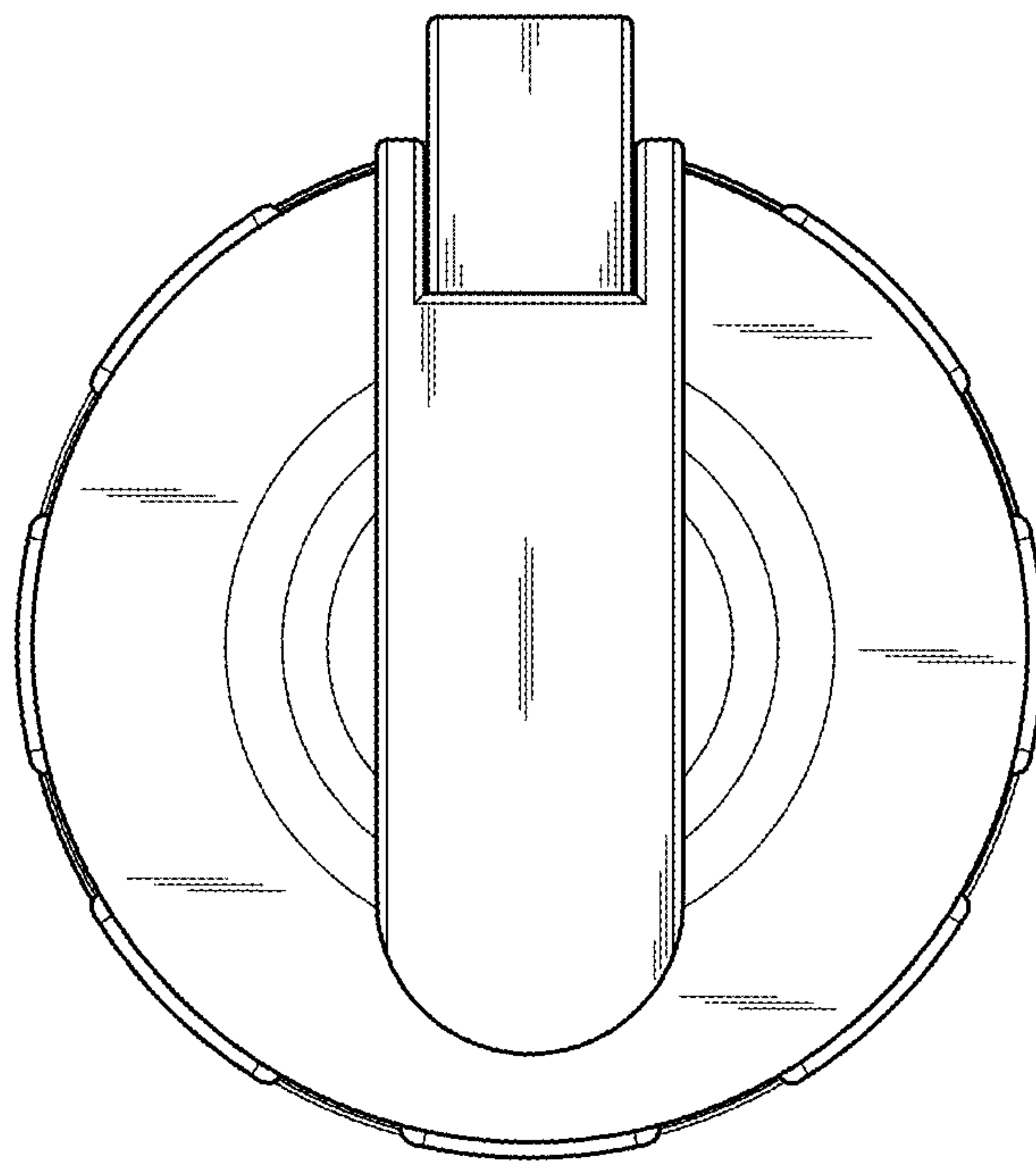


FIG. 7

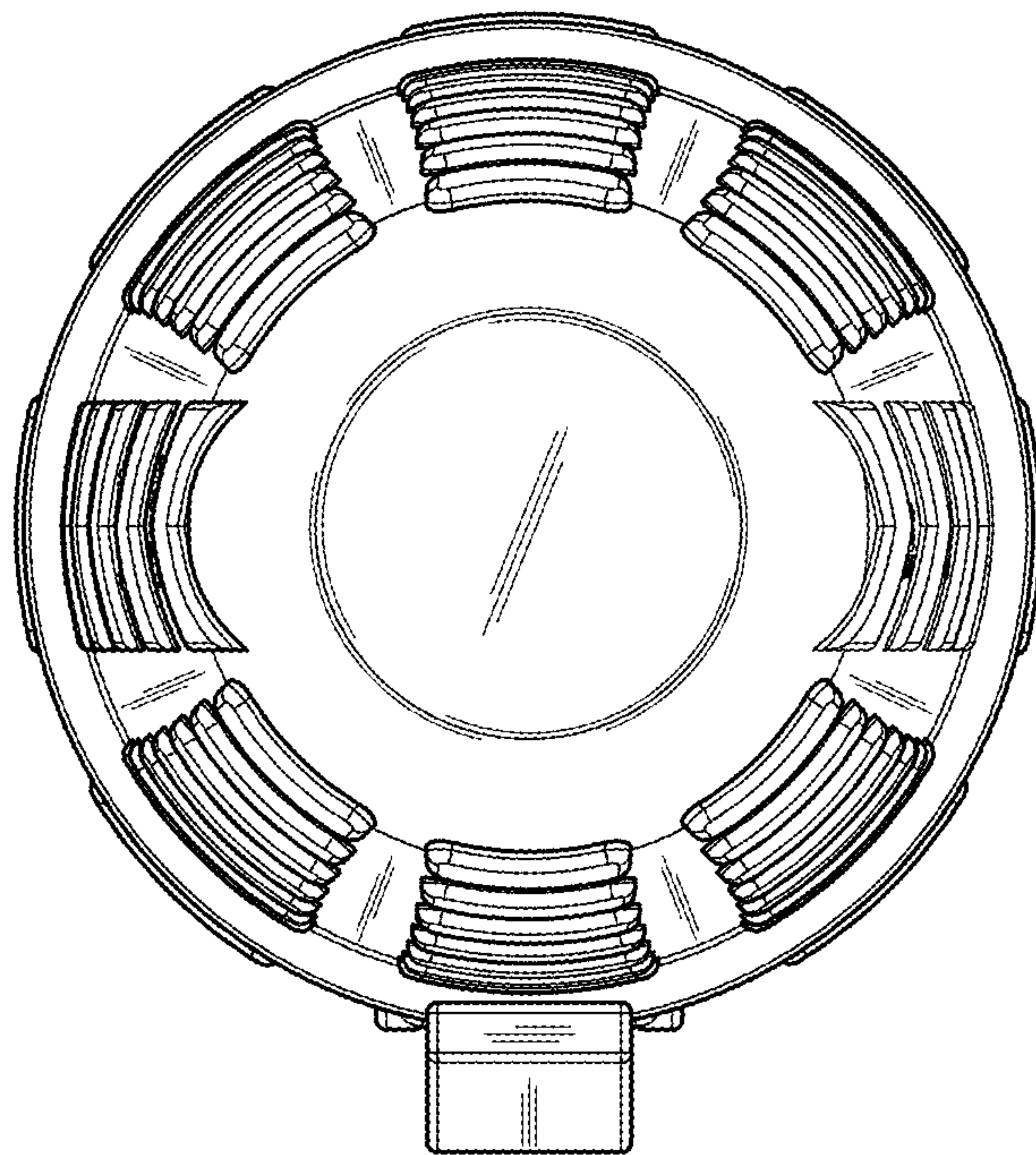


FIG. 8