



US00D814866S

(12) **United States Design Patent** (10) **Patent No.:** **US D814,866 S**
Rocheford et al. (45) **Date of Patent:** **** Apr. 10, 2018**

(54) **BREWING DEVICE**

(71) Applicants: **Evan Rocheford**, Indianapolis, IN
(US); **Mason Schoolcraft**, Chicago, IL
(US)

(72) Inventors: **Evan Rocheford**, Indianapolis, IN
(US); **Mason Schoolcraft**, Chicago, IL
(US)

(73) Assignee: **SIMPLE LIFE CYCLE LLC**,
Lafayette, IN (US)

(**) Term: **15 Years**

(21) Appl. No.: **29/584,365**

(22) Filed: **Nov. 14, 2016**

(51) **LOC (11) Cl.** **07-01**

(52) **U.S. Cl.**
USPC **D7/511**

(58) **Field of Classification Search**
USPC D7/300, 302, 312, 316-318
CPC A47G 19/14; A47G 19/22
See application file for complete search history.

(56) **References Cited**

U.S. PATENT DOCUMENTS

| | | | | |
|--------------|---------|------------|-------|--------|
| D337,691 S * | 7/1993 | Raunkjaer | | D7/316 |
| D384,539 S * | 10/1997 | Joergensen | | D7/316 |
| D567,006 S * | 4/2008 | Bodum | | D7/317 |
| D654,756 S * | 2/2012 | Bodum | | D7/317 |
| D677,103 S * | 3/2013 | Melzer | | D7/317 |
| D681,388 S * | 5/2013 | Bodum | | D7/317 |

| | | | | |
|-------------------|--------|------------|-------|----------------------|
| D699,502 S * | 2/2014 | Hoyord | | D7/319 |
| D777,500 S * | 1/2017 | Lee | | D7/317 |
| D779,259 S * | 2/2017 | De' Longhi | | D7/317 |
| 2010/0192780 A1 * | 8/2010 | Bodum | | A47J 31/20 99/297 |

OTHER PUBLICATIONS

“Wide-Mouth Lids,” downloaded from <https://jarjackets.com/collections> on Oct. 27, 2016, 1 page.

* cited by examiner

Primary Examiner — Daniel D Bui

Assistant Examiner — Andrew Kerr

(74) *Attorney, Agent, or Firm* — Barnes & Thornburg LLP

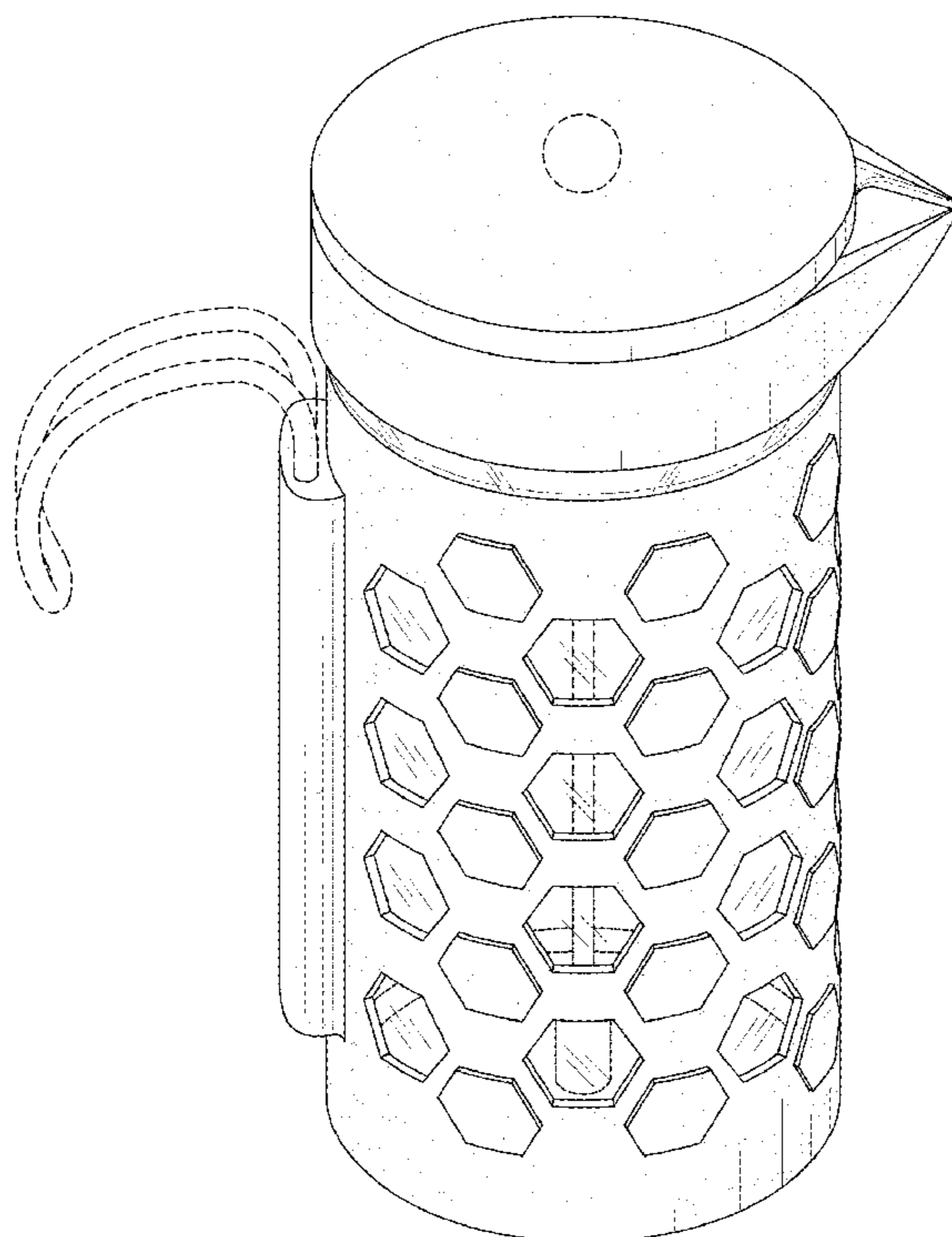
(57) **CLAIM**

We claim the ornamental design for a brewing device, as shown and described.

DESCRIPTION

FIG. 1 is a front perspective view of a brewing device showing my new design;
FIG. 2 is a front elevation view thereof;
FIG. 3 is a left side elevation view thereof, a right side elevation view being a mirror image thereof;
FIG. 4 is a rear elevation view thereof
FIG. 5 is a top plan view thereof; and,
FIG. 6 is a bottom plan view thereof.
The features shown in broken lines depict environmental subject matter only and form no part of the claimed design. The stippling in FIGS. 1 to 6 shows a contrast in appearance and is not limited to any particular color.

1 Claim, 5 Drawing Sheets



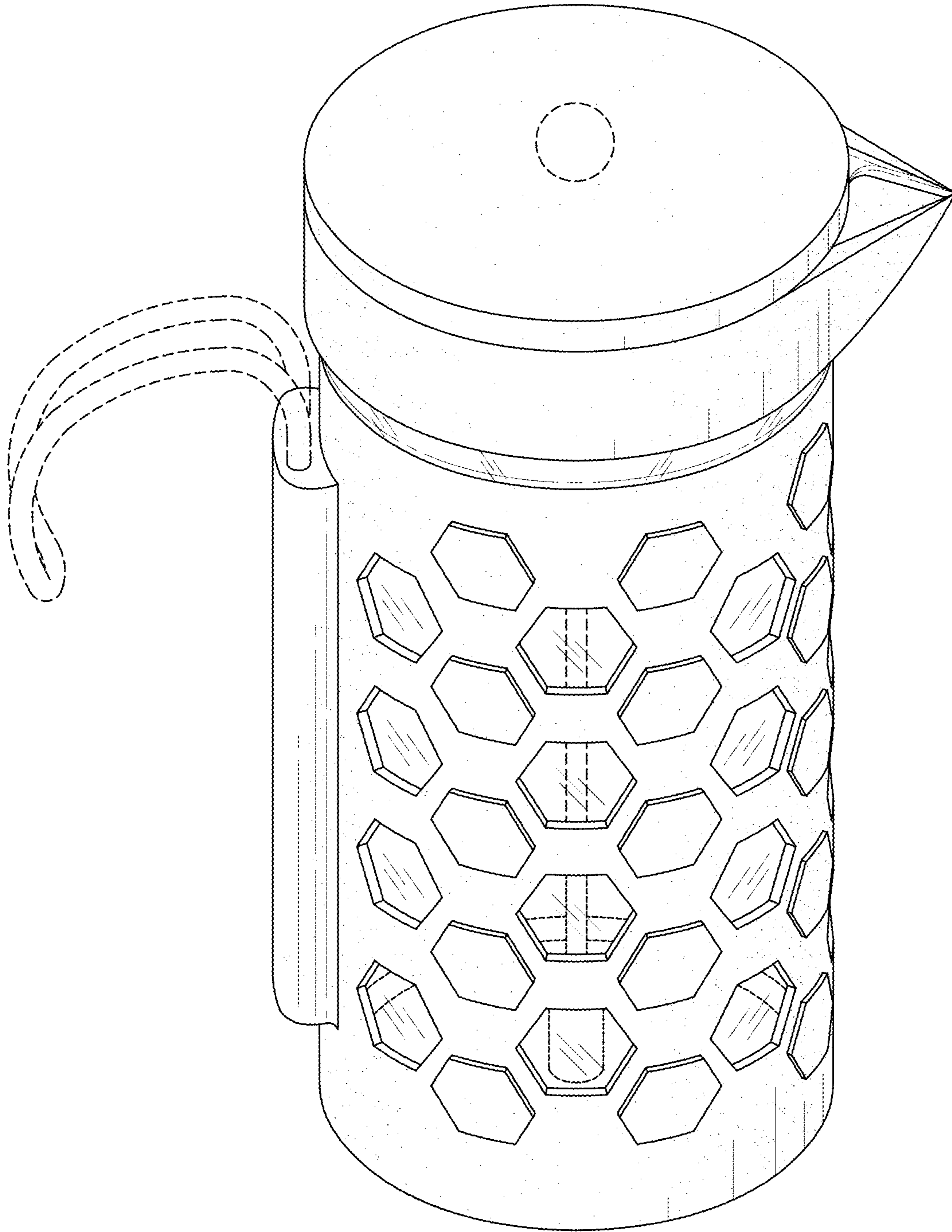


Fig. 1

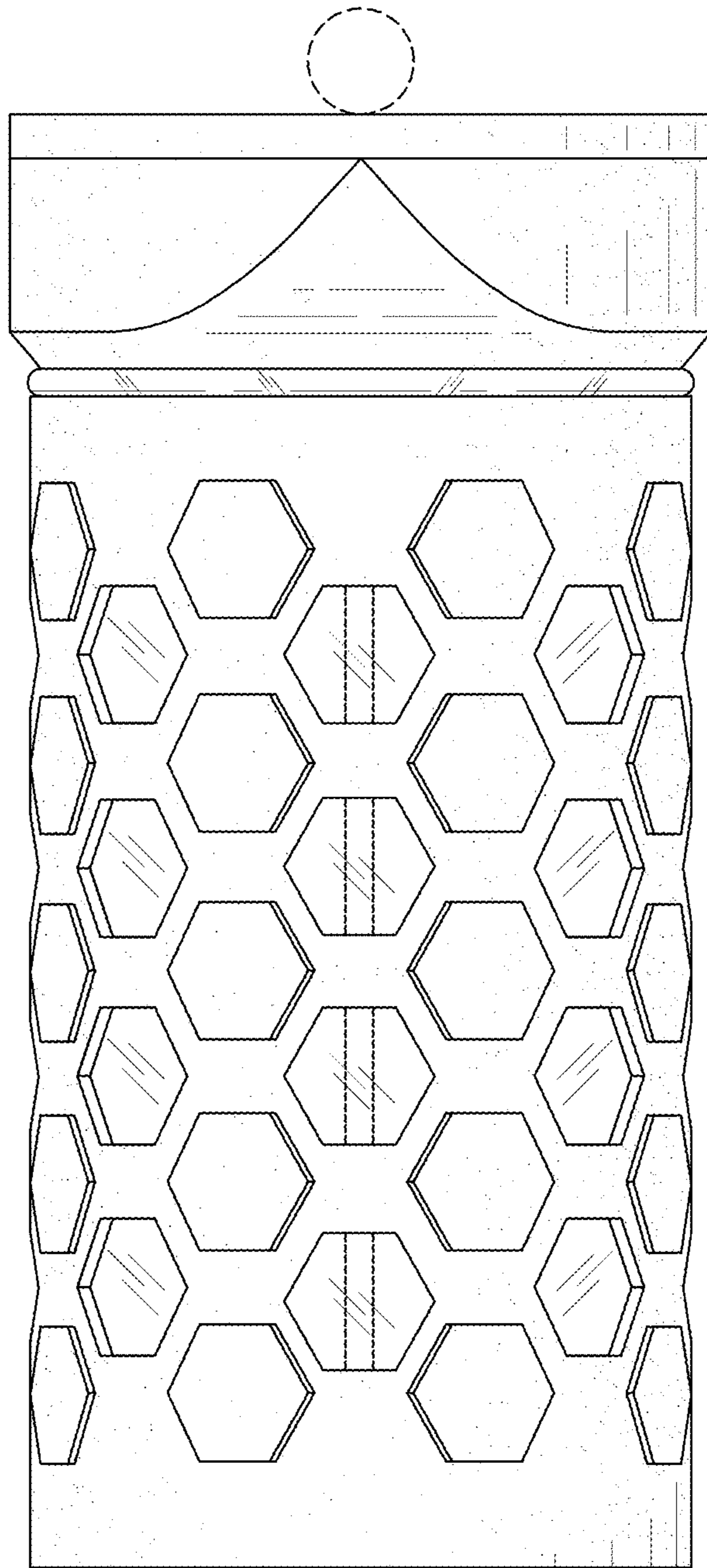


Fig. 2

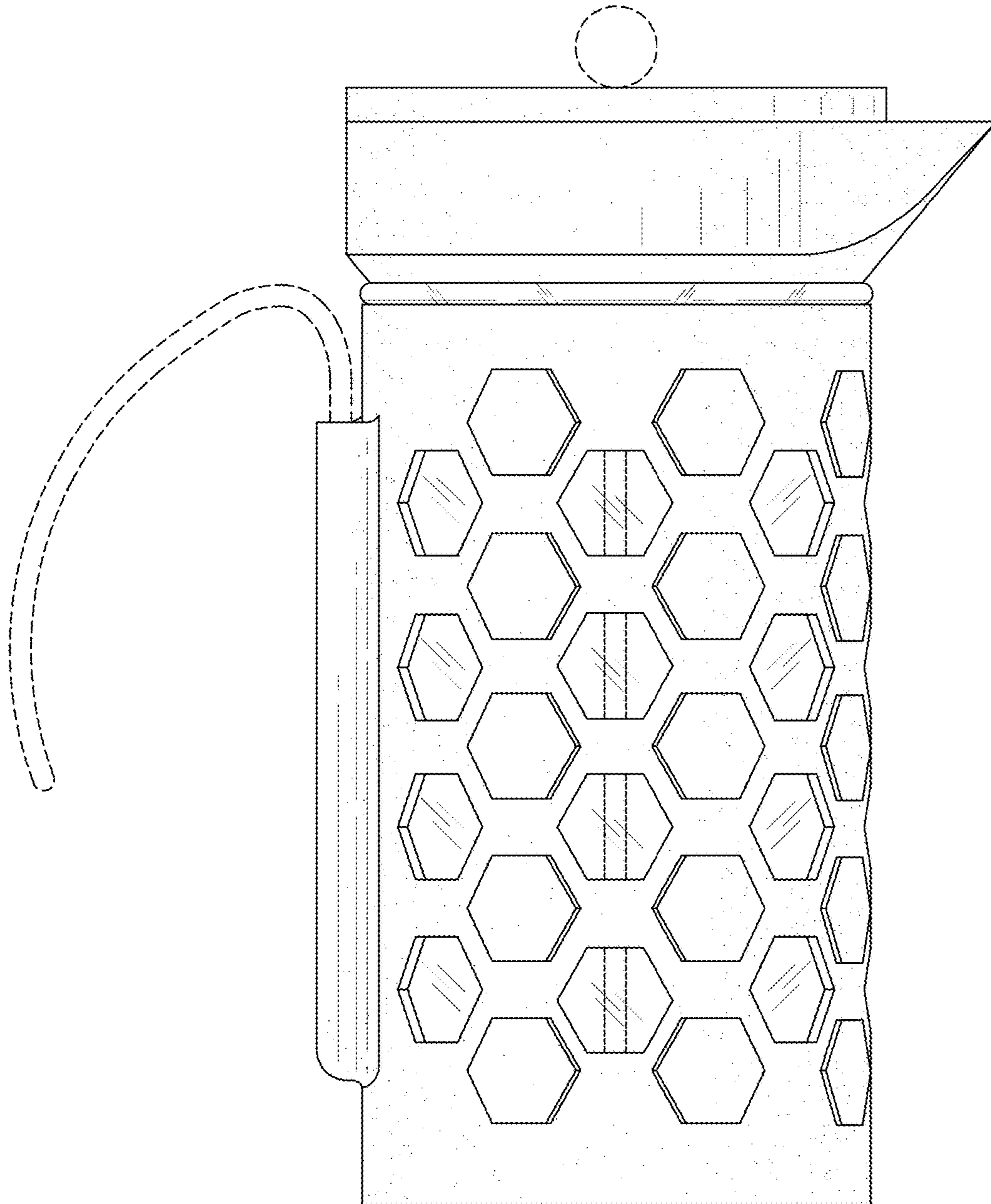


Fig. 3

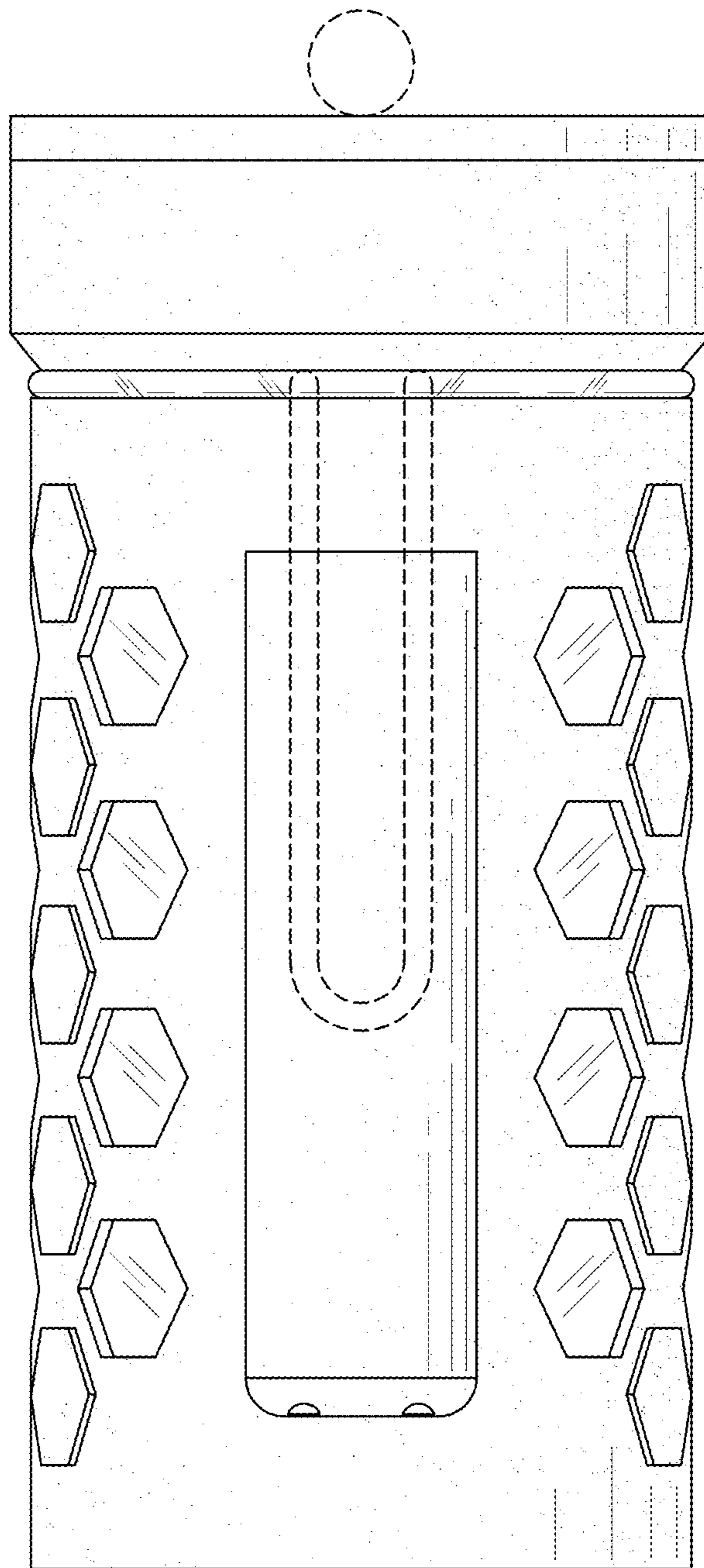


Fig. 4

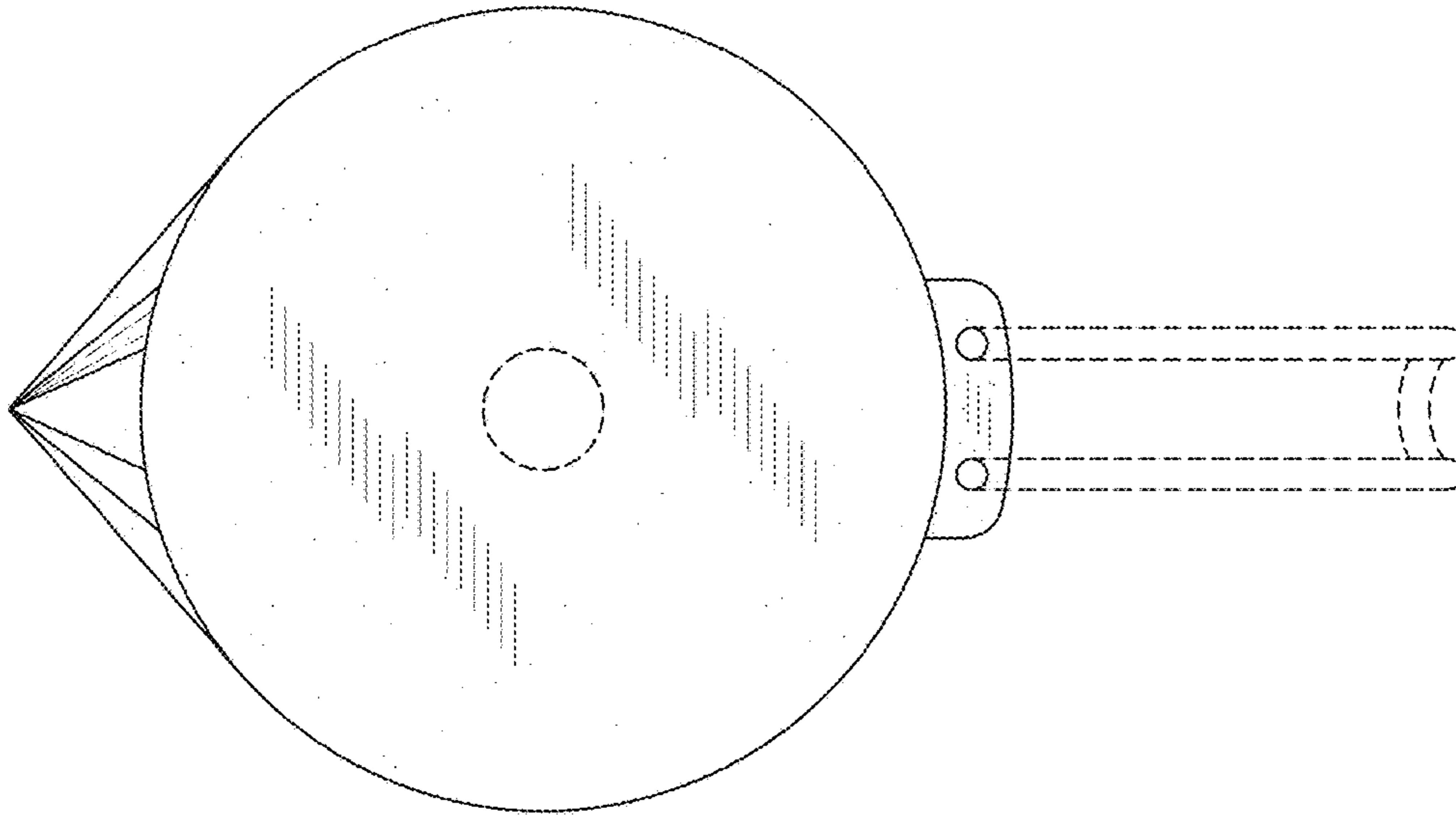


Fig. 5

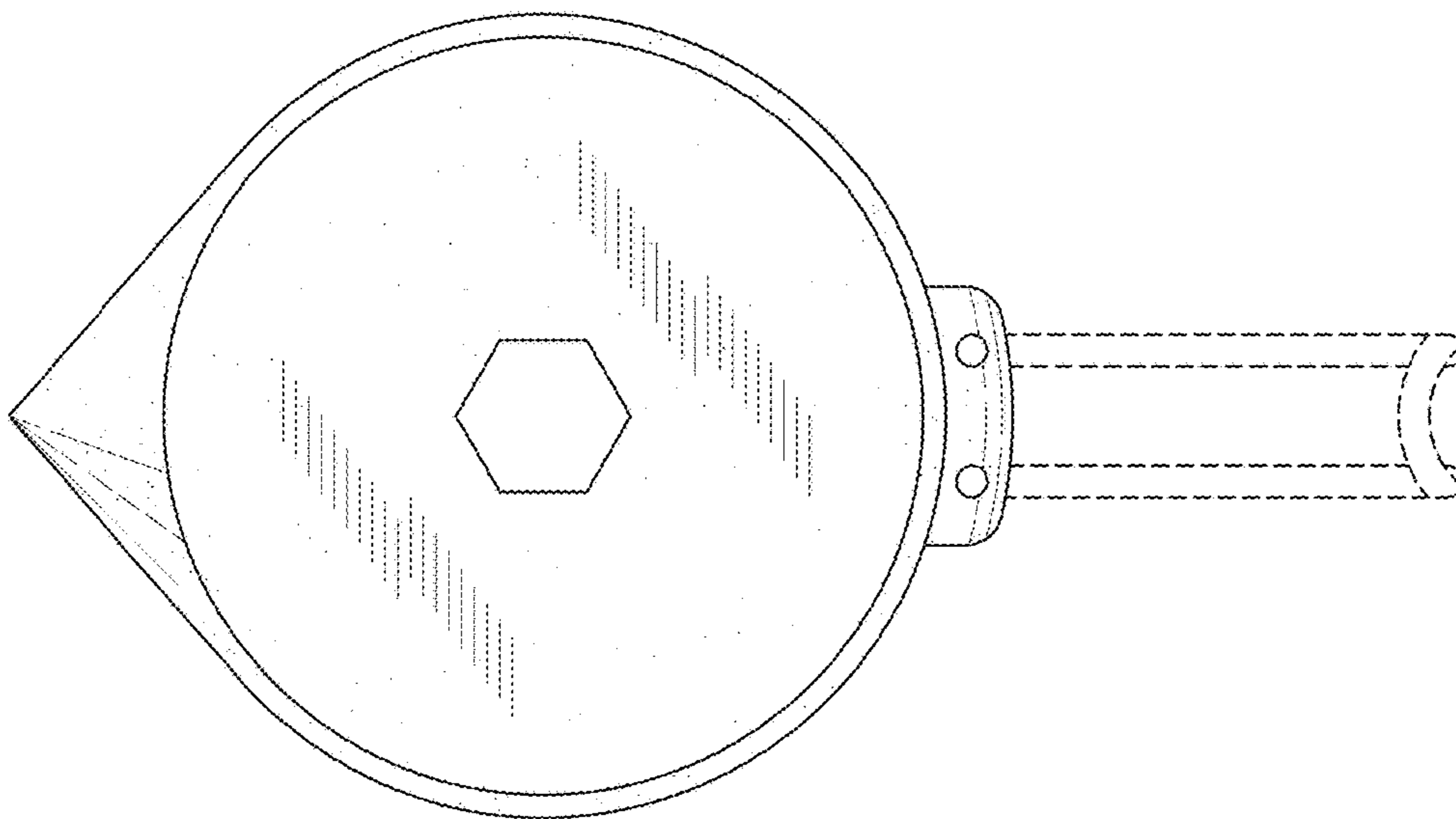


Fig. 6