



US00D814864S

(12) **United States Design Patent** (10) **Patent No.:** **US D814,864 S**
Austin, III (45) **Date of Patent:** **** Apr. 10, 2018**

(54) **HANDHELD LIGHTER**
(71) Applicant: **Frank E Austin, III**, Redlands, CA (US)
(72) Inventor: **Frank E Austin, III**, Redlands, CA (US)
(**) Term: **15 Years**
(21) Appl. No.: **29/567,877**
(22) Filed: **Jun. 13, 2016**
(51) **LOC (11) Cl.** **07-99**
(52) **U.S. Cl.**
USPC **D7/416**
(58) **Field of Classification Search**
USPC D27/141-147, 154-159, 161, 186, 189,
D27/192, 193; D7/416
CPC ... F23Q 2/00; F23Q 2/16; F23Q 2/164; F23Q
2/167
See application file for complete search history.

D618,058 S * 6/2010 Tao D7/416
D618,507 S * 6/2010 Galimand D7/416
D649,401 S * 11/2011 Yu D7/416
D665,226 S * 8/2012 Luo D7/416
D686,879 S * 7/2013 Ichikawa D7/416
D759,298 S * 6/2016 Ichikawa D27/141
2008/0213712 A1* 9/2008 Huang F23Q 2/164
431/153

* cited by examiner

Primary Examiner — Sheryl Lane
Assistant Examiner — Jennifer Campbell
(74) *Attorney, Agent, or Firm* — Knobbe, Martens, Olson & Bear, LLP

(57) **CLAIM**
The ornamental design for a handheld lighter, as shown and described.

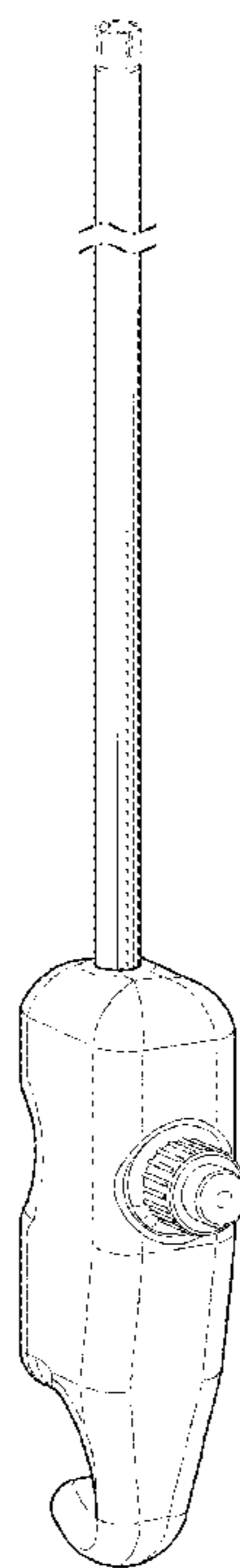
DESCRIPTION

FIG. 1 is a front perspective view of the handheld lighter of the present design;
FIG. 2 is a left side elevational view thereof;
FIG. 3 is a right side elevational view thereof;
FIG. 4 is a front elevational view thereof;
FIG. 5 is a rear elevational view thereof;
FIG. 6 is a top plan view thereof;
FIG. 7 is a bottom plan view thereof; and,
FIG. 8 is a perspective view thereof.

Broken lines illustrate portions of the article that form no part of the claimed design. The article is shown with a symbolic break in its length, represented by dash-dot break lines. The appearance of any portion of the article between the dash-dot break lines forms no part of the claimed design.

1 Claim, 7 Drawing Sheets

(56) **References Cited**
U.S. PATENT DOCUMENTS
D348,119 S * 6/1994 Maruyama D27/157
D473,103 S * 4/2003 Sung D7/416
D482,932 S * 12/2003 Sher D7/416
D491,017 S * 6/2004 Wang D7/416
D523,286 S * 6/2006 Darnell D7/416
D554,430 S * 11/2007 Yang D7/416
D564,839 S * 3/2008 Wang D7/416
D565,899 S * 4/2008 Wang D7/416
D566,466 S * 4/2008 Aronson, II D7/416
D569,687 S * 5/2008 Darnell D7/416



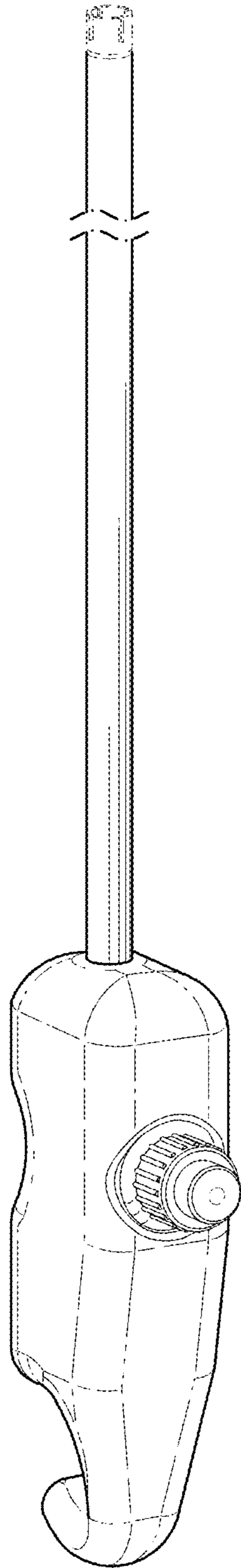


FIG. 1

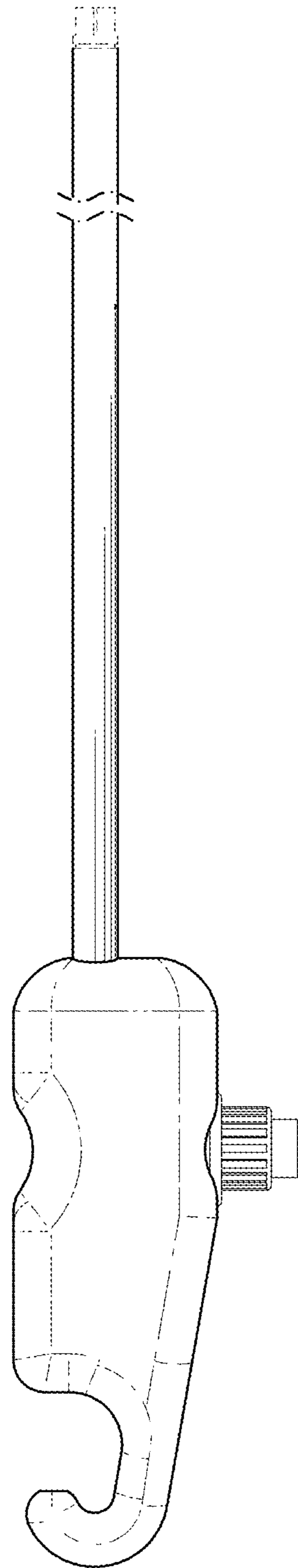


FIG. 2

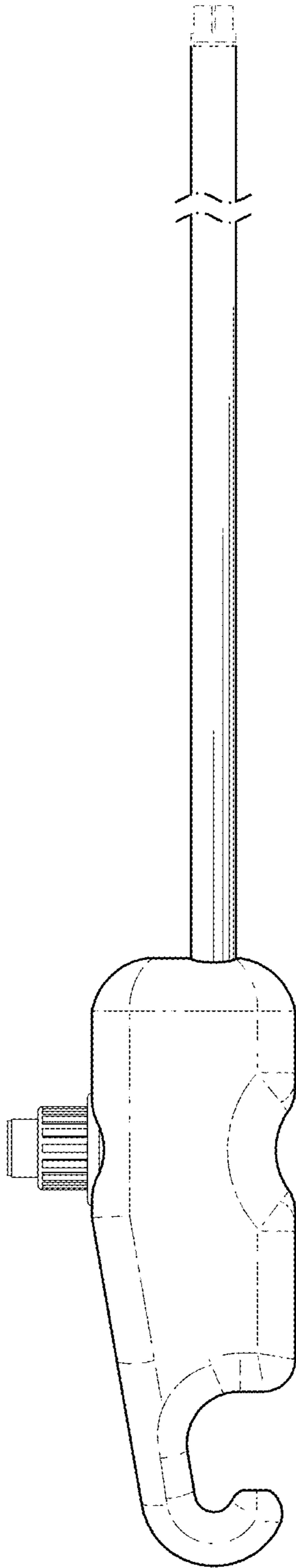


FIG. 3

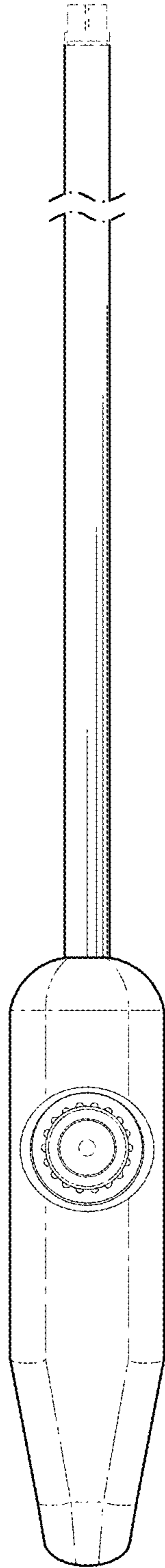


FIG. 4

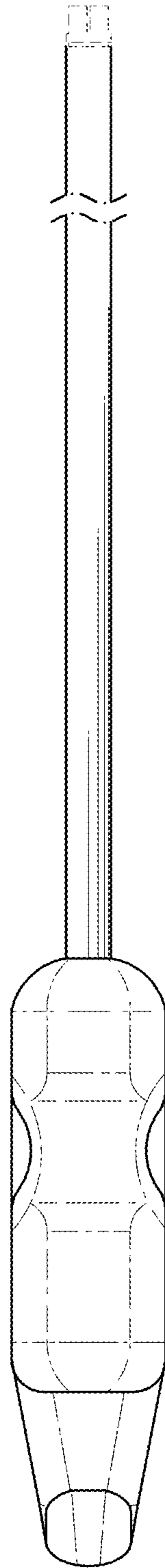


FIG. 5

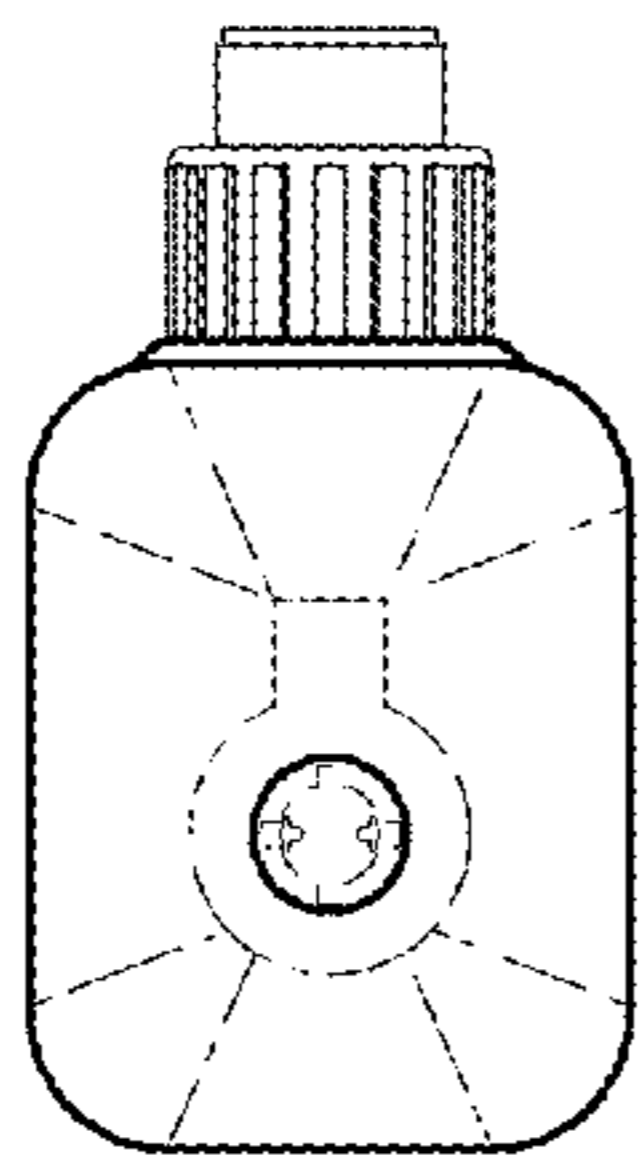


FIG. 6

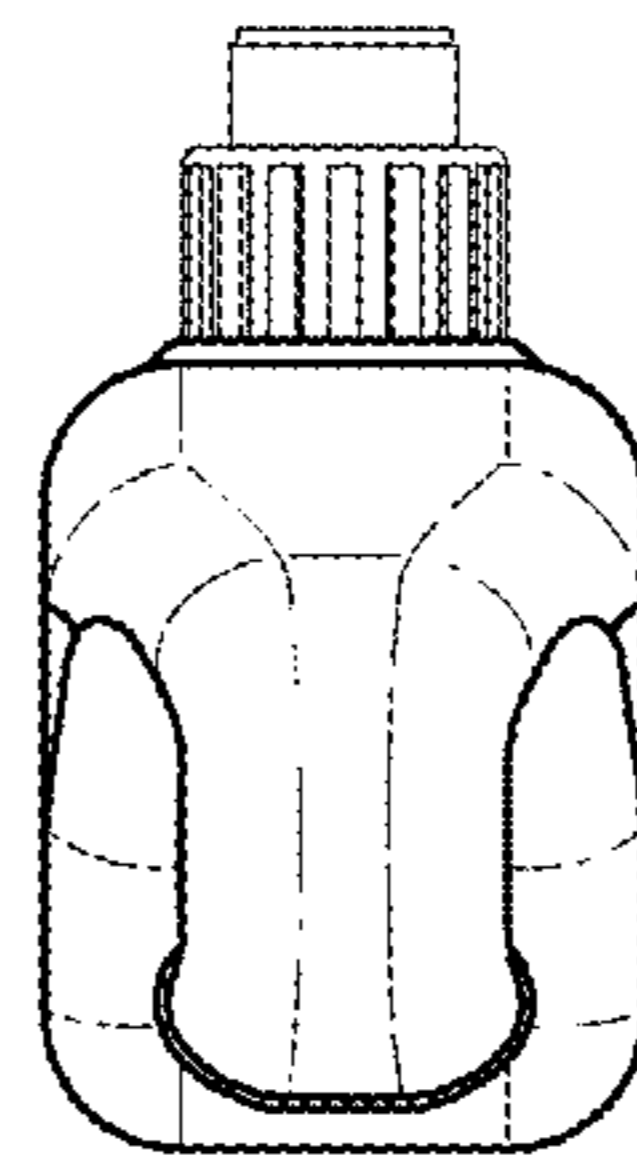


FIG. 7

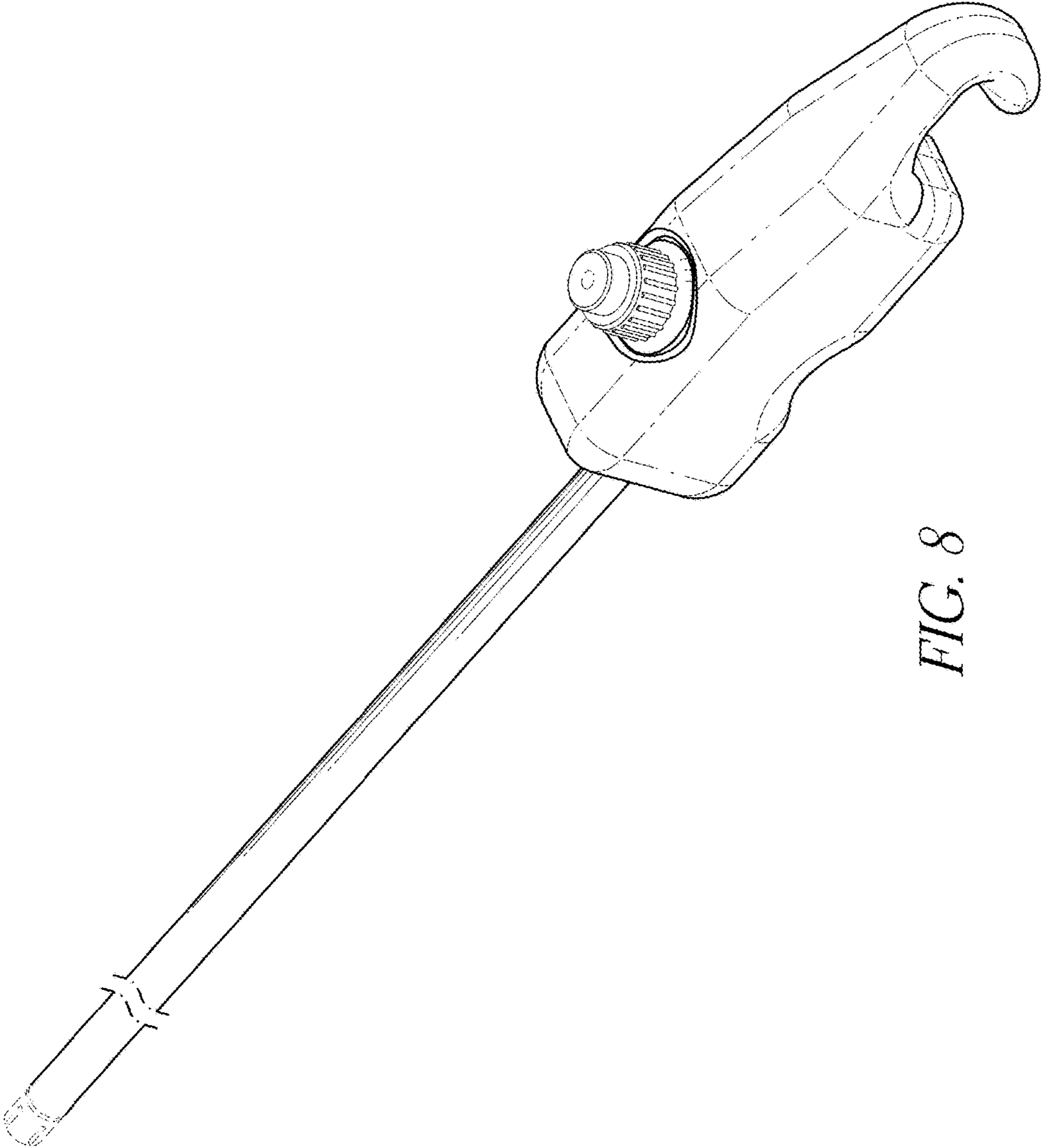


FIG. 8