



US00D814861S

(12) **United States Design Patent** (10) **Patent No.:** **US D814,861 S**
Bond et al. (45) **Date of Patent:** **** Apr. 10, 2018**

(54) **BADGE FOR ELECTRIC APPLIANCES**
(71) Applicant: **Nostalgia Products LLC**, Green Bay, WI (US)
(72) Inventors: **Gregg Bond**, Beverly Hills, CA (US); **Edward E. Boughton, III**, Ventura, CA (US)
(73) Assignee: **NOSTALGIA PRODUCTS LLC**, Green Bay, WI (US)

D645,292 S * 9/2011 Bond D7/325
D665,632 S * 8/2012 Kim D7/665
D682,004 S * 5/2013 Kauer D7/325
D682,629 S * 5/2013 Bachmann D7/665
D683,579 S * 6/2013 Black D7/387
D684,827 S * 6/2013 Kim D7/665
D710,659 S * 8/2014 Marquez D7/665
9,220,373 B2 * 12/2015 Hensel A47J 19/02
D760,552 S * 7/2016 Kim D7/665
2013/0255511 A1 * 10/2013 Steiner A47J 19/02
99/513
2015/0257419 A1 * 9/2015 Mastroianni A23L 7/183
99/323.11

(**) Term: **15 Years**

* cited by examiner

(21) Appl. No.: **29/564,107**

Primary Examiner — Marianne Pandozzi

(22) Filed: **May 10, 2016**

(74) *Attorney, Agent, or Firm* — Womble Bond Dickinson (US) LLP

(51) **LOC (11) Cl.** **07-99**

(52) **U.S. Cl.**

USPC **D7/397**; D7/387; D7/325

(58) **Field of Classification Search**

USPC D7/397, 387, 403, 305-311, 665, 325; 99/323.11

CPC A23L 1/1812; B07B 13/02; A23J 19/02

See application file for complete search history.

(57) **CLAIM**

The ornamental design for badge for electric appliances, as shown and described.

DESCRIPTION

FIG. 1 is a front, right side perspective view of our badge for electric appliances.

FIG. 2 is a front elevation view thereof.

FIG. 3 is a rear elevation view thereof.

FIG. 4 is a left side elevation view thereof.

FIG. 5 is a right side elevation view thereof.

FIG. 6 is a top plan view thereof; and,

FIG. 7 is a bottom plan view thereof.

All portions of the drawings shown in dashed lines are for illustrative purposes only and form no part of the claimed design.

(56) **References Cited**

U.S. PATENT DOCUMENTS

D249,441 S * 9/1978 Fukumoto D7/665
D260,649 S * 9/1981 Wondergem D7/325
D279,448 S * 7/1985 Spoeth, Jr. D7/325
D343,097 S * 1/1994 Cesari D7/665
D395,803 S * 7/1998 Lallemant D7/665
6,412,404 B1 * 7/2002 Hsu A47J 19/027
366/314
D470,368 S * 2/2003 Kim D7/665
D540,127 S * 4/2007 Ye D7/665

1 Claim, 3 Drawing Sheets

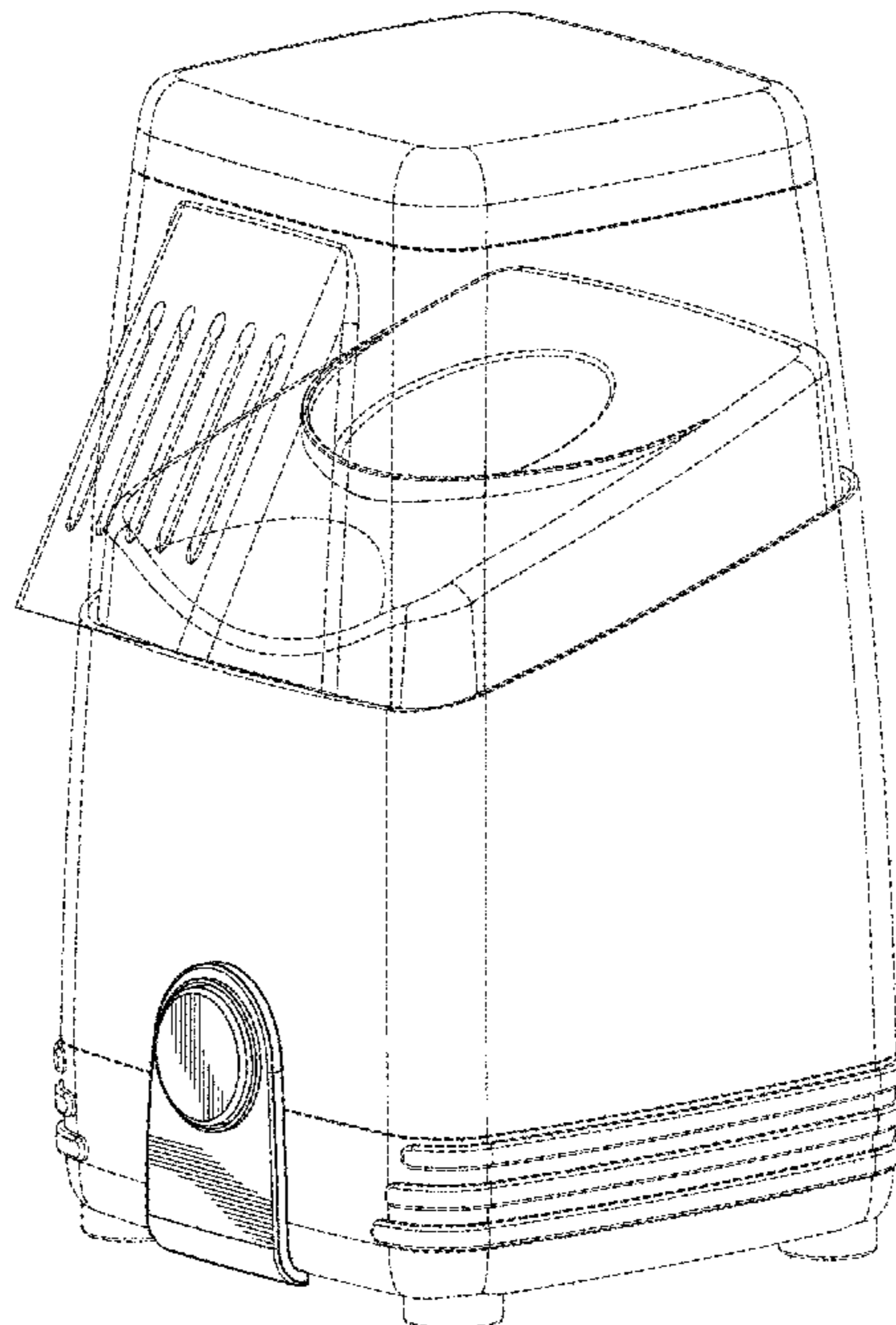
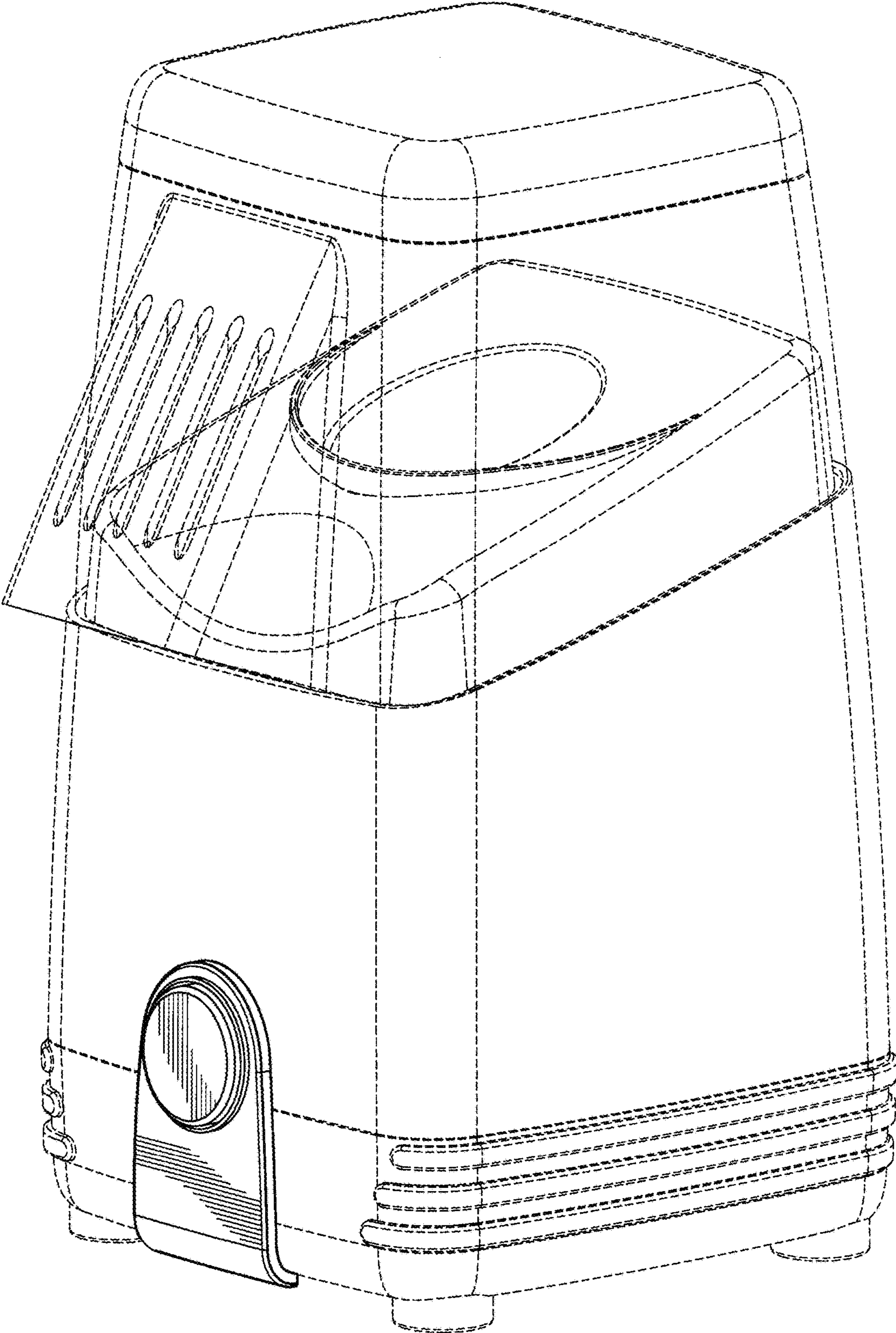


FIG. 1



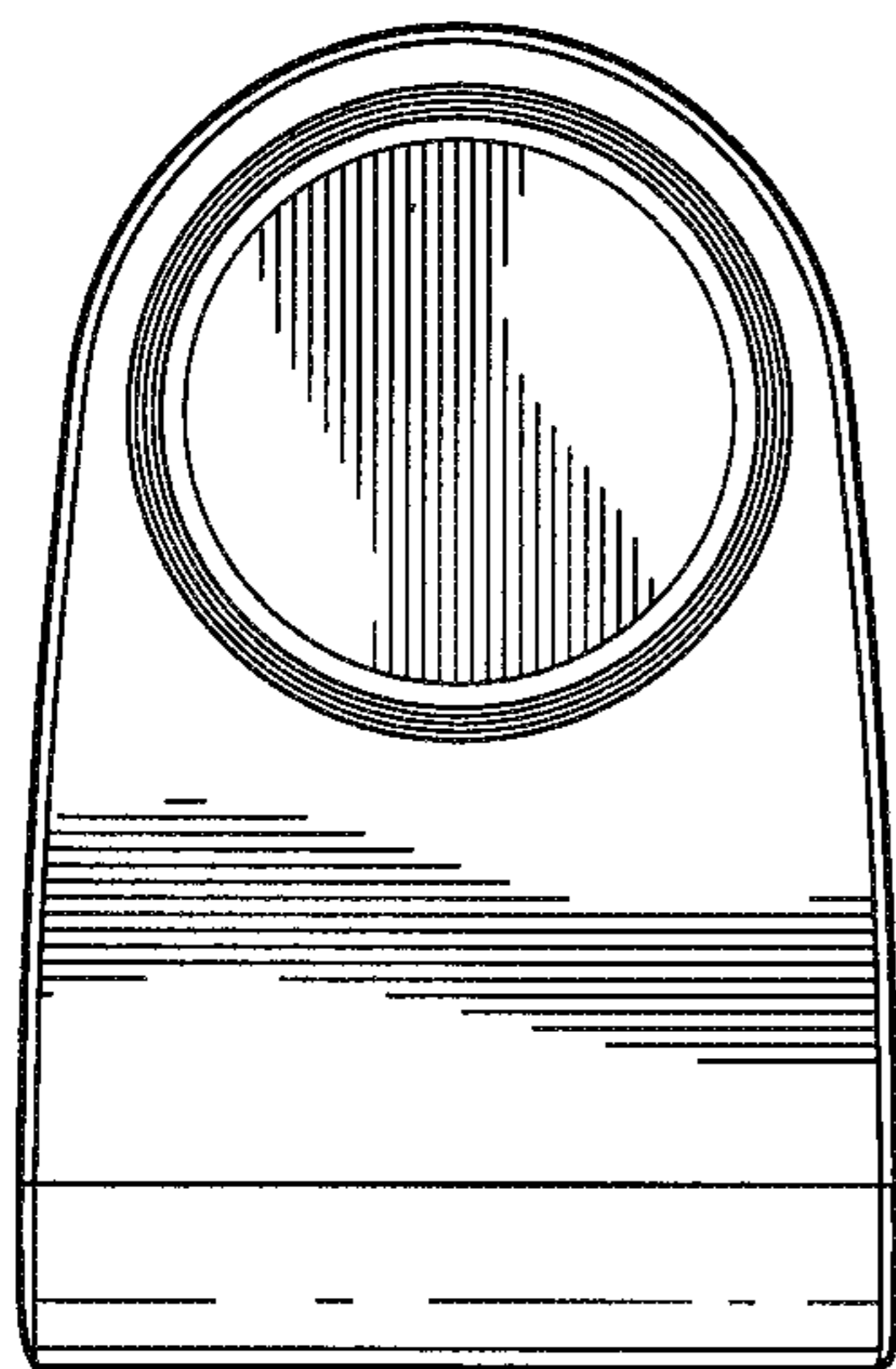


FIG. 2

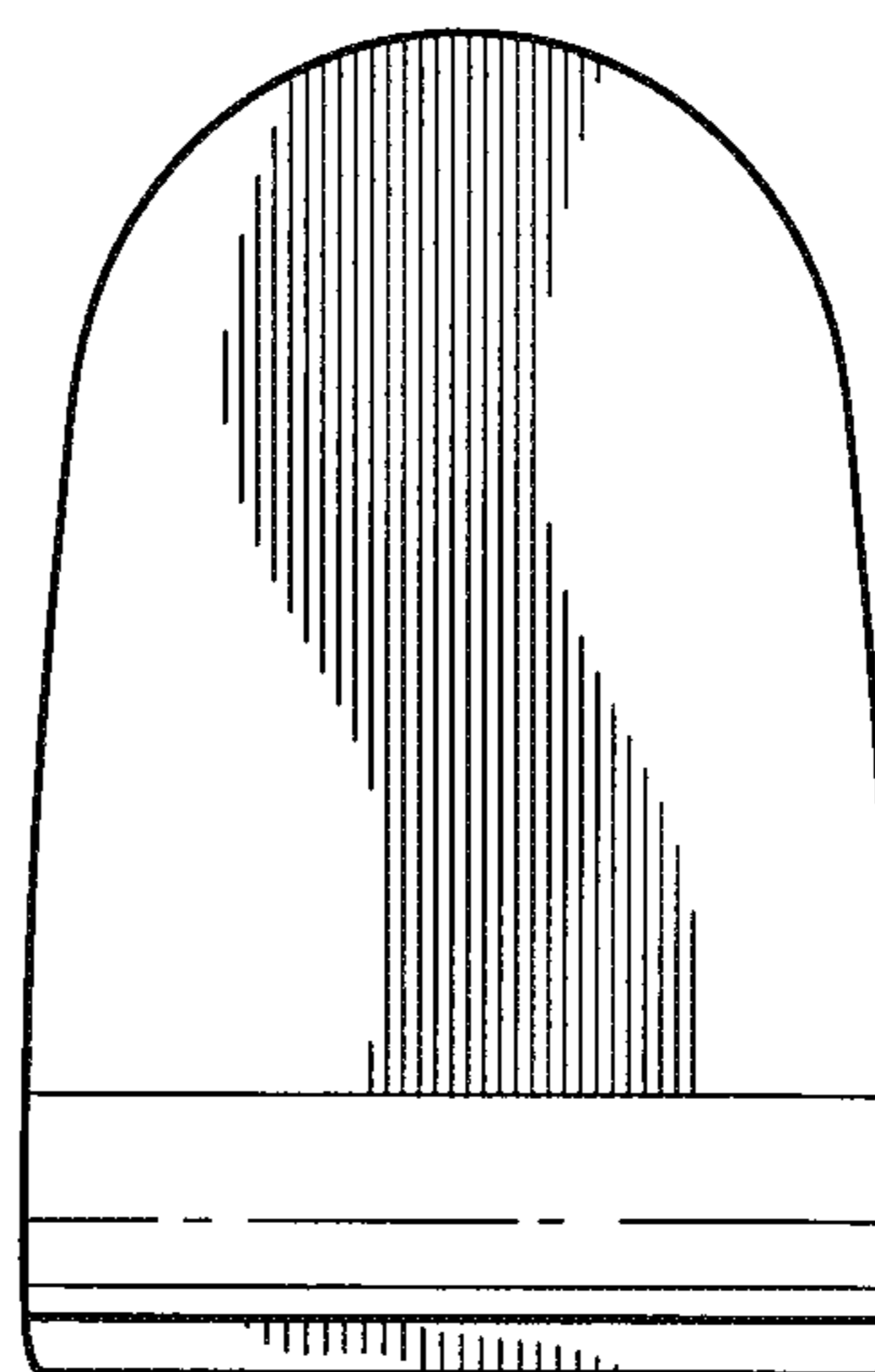


FIG. 3

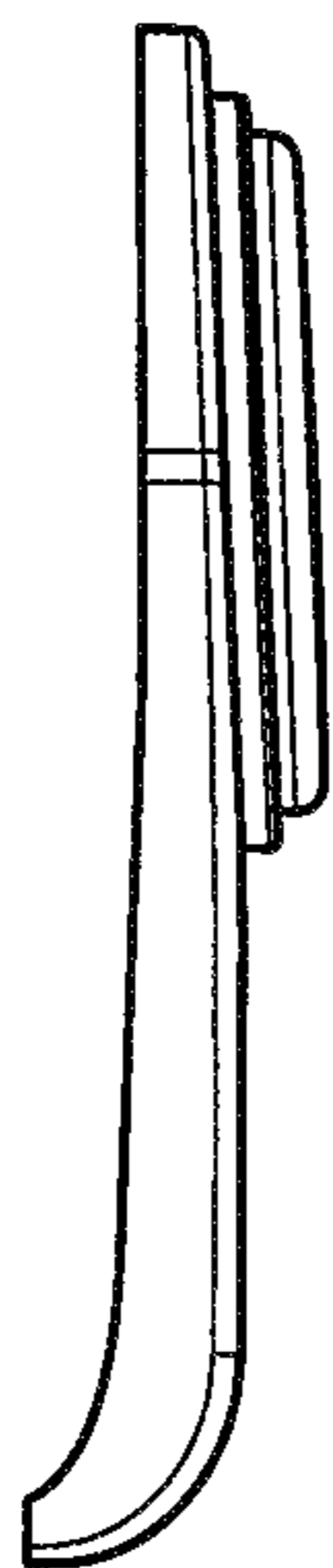


FIG. 4

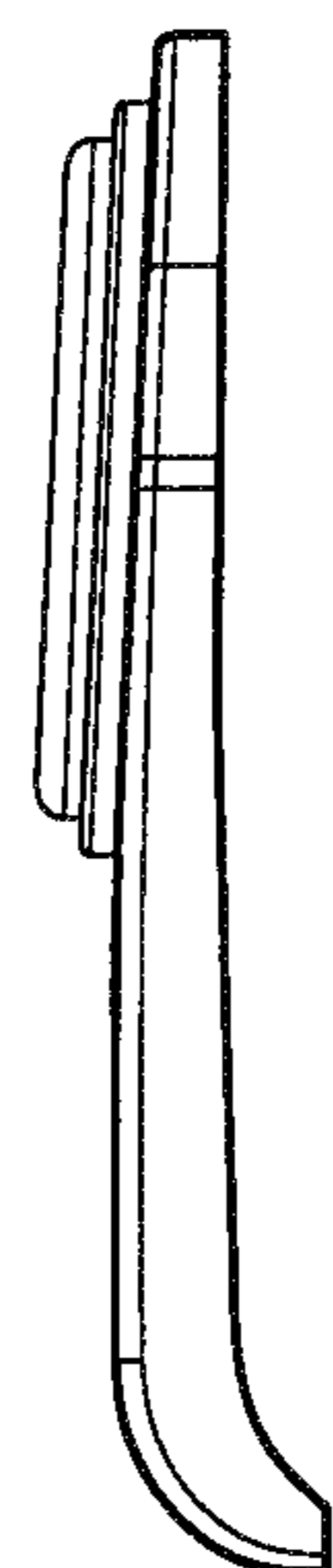


FIG. 5

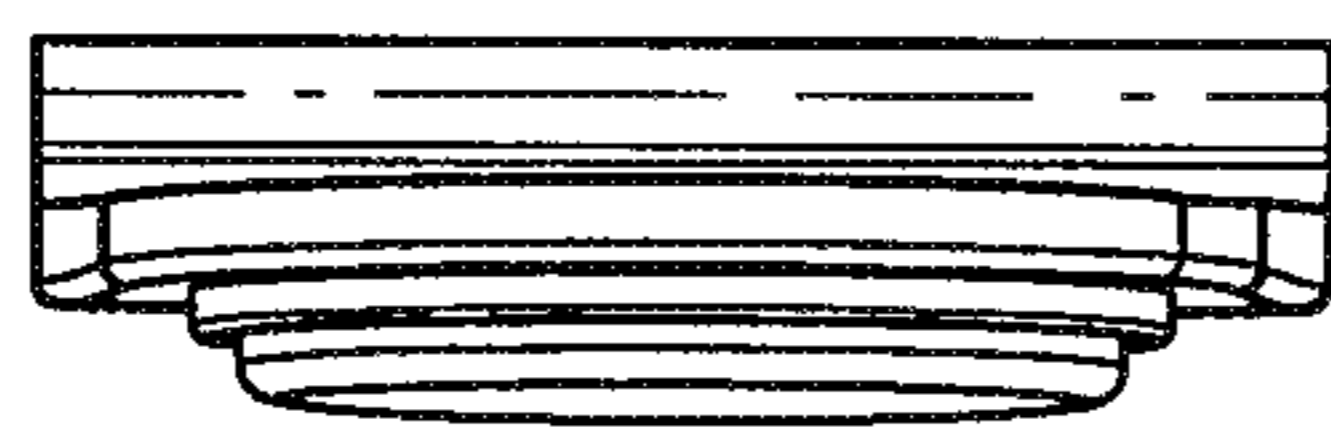


FIG. 6

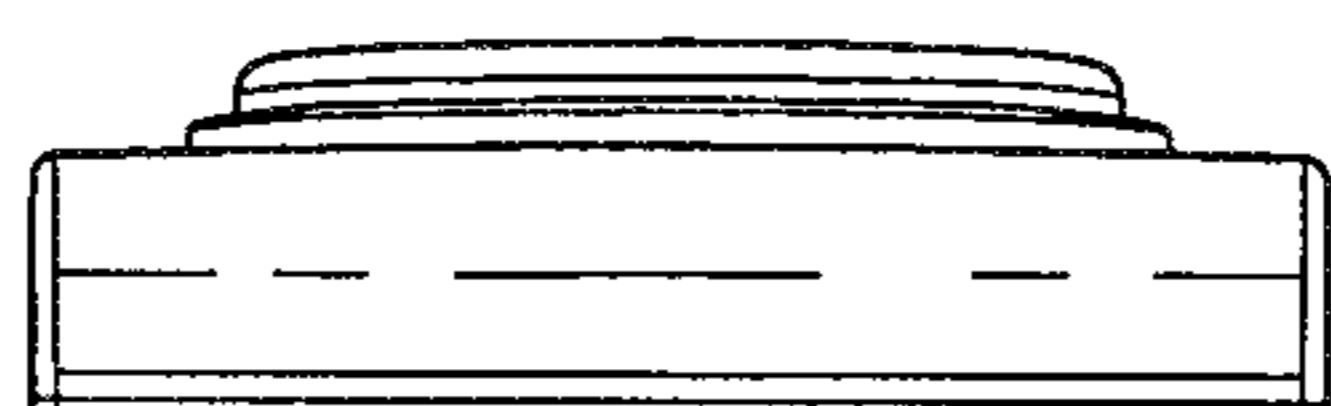


FIG. 7