



US00D814859S

(12) **United States Design Patent** (10) **Patent No.:** **US D814,859 S**
Kastner et al. (45) **Date of Patent:** **** Apr. 10, 2018**

- (54) **COOKWARE HANDLE**
- (71) Applicant: **Meyer Intellectual Properties Limited**,
Kowloon (CN)
- (72) Inventors: **Martin Kastner**, Chicago, IL (US);
Christoph Milz, Vallejo, CA (US)
- (73) Assignee: **Meyer Intellectual Properties Limited**,
Kowloon (HK)
- (**) Term: **15 Years**
- (21) Appl. No.: **29/576,029**
- (22) Filed: **Aug. 31, 2016**

| | | | |
|--------------|---------|--------------|--------------|
| D274,402 S | 6/1984 | Ziskind | |
| D368,828 S | 4/1996 | Thurlow | |
| D370,826 S | 6/1996 | Thurlow | |
| D418,009 S | 12/1999 | Banc | |
| D431,149 S | 9/2000 | Cooke et al. | |
| D431,411 S | 10/2000 | Chang | |
| D438,754 S | 3/2001 | Mendelson | |
| 6,419,107 B1 | 7/2002 | Cheng | |
| D479,432 S | 9/2003 | Barker | |
| D488,670 S | 4/2004 | Chan | |
| D496,555 S * | 9/2004 | Rommelfanger | D7/360 |
| D543,772 S | 6/2007 | Roussard | |
| D548,518 S * | 8/2007 | Rae | D7/394 |
| D550,030 S | 9/2007 | Peterson | |

(Continued)

Related U.S. Application Data

- (63) Continuation of application No. 29/556,562, filed on
Mar. 1, 2016.
- (51) **LOC (11) Cl.** **07-02**
- (52) **U.S. Cl.**
USPC **D7/394**
- (58) **Field of Classification Search**
USPC D7/354-361, 393-395, 401.2, 664;
D8/107, 300, 303, 307, 313, 321;
D4/138, 129
CPC A47J 45/06; A47J 45/061; A47J 45/62;
A47J 45/08; A47J 45/085; A47J 45/071;
A47J 45/072; B65D 25/2802; B65D
25/2882; B65D 25/2885; B65D 25/2888;
B65D 25/2894; Y10S 220/912
See application file for complete search history.

References Cited

U.S. PATENT DOCUMENTS

| | | |
|-------------|---------|----------------|
| 1,773,506 A | 8/1930 | Torndahl |
| D147,950 S | 11/1947 | Blazey |
| D263,441 S | 3/1982 | Johnson et al. |
| D273,755 S | 5/1984 | Thurlow |

OTHER PUBLICATIONS

Japanese Office Action dated Jun. 27, 2017 issued in connection with Japanese Design Application No. 2016-018858.

(Continued)

Primary Examiner — Cynthia M Chin
(74) *Attorney, Agent, or Firm* — Akerman LLP

CLAIM

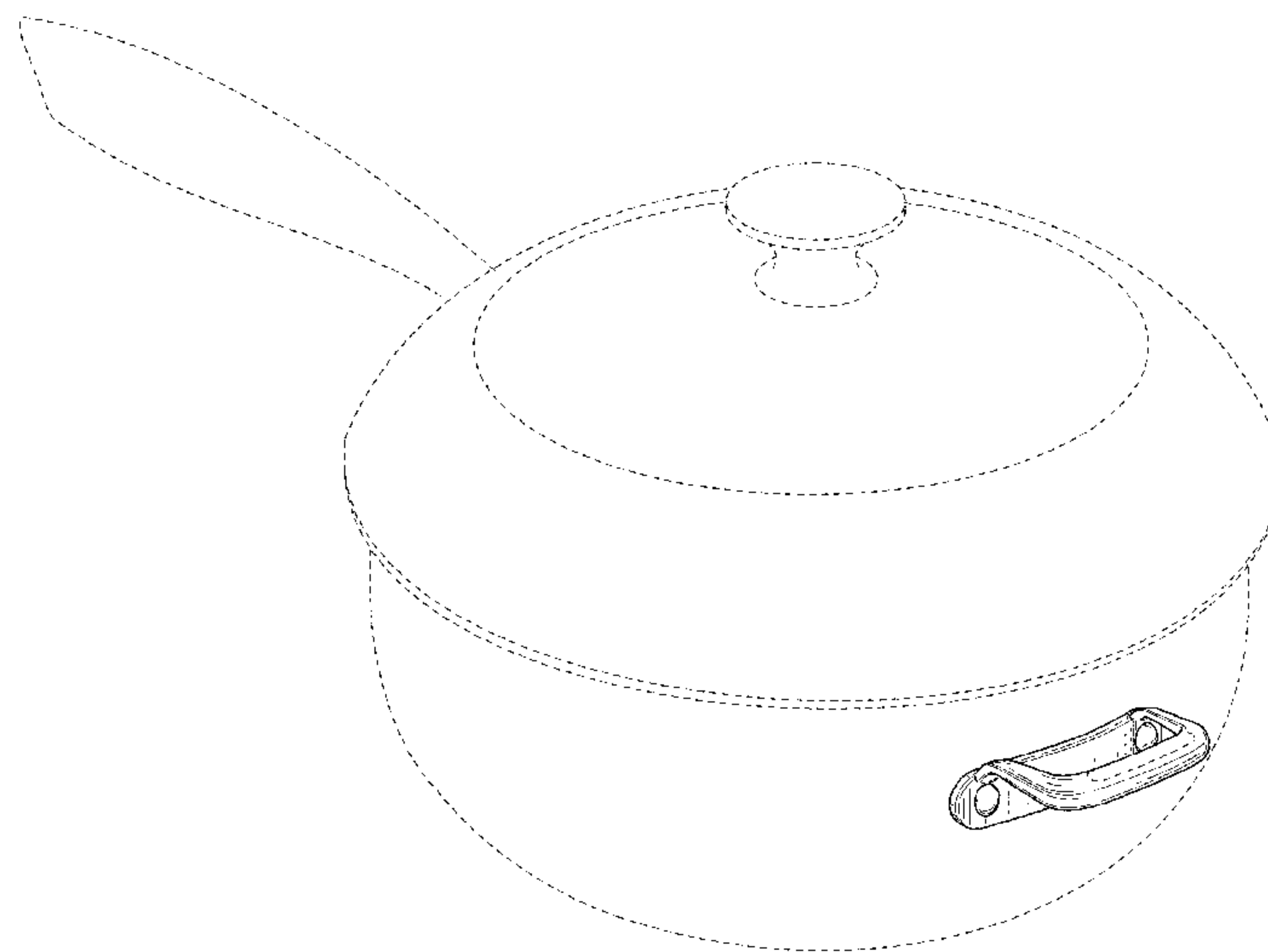
The ornamental design for a cookware handle, as shown and described.

DESCRIPTION

FIG. 1 is a perspective view of the “cookware handle,” showing my new design;
FIG. 2 is a front view thereof;
FIG. 3 is a right side view thereof;
FIG. 4 is a left side view thereof;
FIG. 5 is a top view thereof; and,
FIG. 6 is a bottom view thereof.

The broken lines represent the environment in which the article resides and portions of the handle that form no part of the claimed design. None of the broken lines form a part of the claimed design.

1 Claim, 6 Drawing Sheets



(56)

References Cited

U.S. PATENT DOCUMENTS

| | | | | |
|--------------|-----|---------|---------------------|--------|
| D555,421 | S | 11/2007 | Thurlow et al. | |
| D557,062 | S | 12/2007 | Henry | |
| D575,578 | S | 8/2008 | Ball | |
| D576,446 | S * | 9/2008 | Rae | D7/394 |
| D579,714 | S | 11/2008 | Cheng et al. | |
| D584,105 | S * | 1/2009 | Moulin Robson | D7/394 |
| D592,450 | S * | 5/2009 | Rae | D7/394 |
| D592,902 | S | 5/2009 | Currie | |
| D598,702 | S | 8/2009 | Hoekstra | |
| D612,193 | S | 3/2010 | Darling | |
| D614,908 | S | 5/2010 | Berge | |
| D614,909 | S | 5/2010 | Lavy | |
| D622,541 | S * | 8/2010 | Josancy | D7/394 |
| D625,950 | S | 10/2010 | Regnart | |
| D642,015 | S * | 7/2011 | Rae | D7/394 |
| D658,436 | S * | 5/2012 | Rae | D7/394 |
| D663,576 | S * | 7/2012 | McEldowney | D7/394 |
| D666,272 | S | 8/2012 | Shi et al. | |
| D685,222 | S * | 7/2013 | Dang | D7/354 |
| D693,634 | S * | 11/2013 | Lee | D7/394 |
| D693,635 | S * | 11/2013 | Lee | D7/394 |
| D728,998 | S * | 5/2015 | Barberi | D7/394 |
| D757,488 | S | 5/2016 | McConnell et al. | |
| D761,613 | S | 7/2016 | Moon et al. | |
| D763,618 | S | 8/2016 | Feng et al. | |
| 2001/0042753 | A1 | 11/2001 | Park | |
| 2004/0200851 | A1 | 10/2004 | Wooderson | |
| 2011/0260023 | A1 | 10/2011 | Braun | |
| 2012/0055347 | A1 | 3/2012 | Kim | |
| 2015/0196157 | A1 | 7/2015 | Swisth | |

OTHER PUBLICATIONS

Nonstick Jumbo Cooker / Sauté Pan Grey 11 inches—Deep Frying Pan Cookware with Glass Lid, posted at Amazon.com, posted on

Mar. 31, 2015, site visited Feb. 8, 2017, <https://www.amazon.com/Nonstick-Jumbo-Cooker-Sau%C3%A9-inches/dp/BOOVGZ9XVA/ref=sr_1_1?ie=UTF8&qid=1486570885&sr=8-1&keywords=deep+frying+pan+with+lid>.
 Stainless Steel Saucier Pan, posted at LeCreuset.com, posted on Dec. 18, 2016, site visited Feb. 8, 2017, <<http://www.lecreuset.com/stainless-steel-saucier-pans>>.
 Revere® Copper Confidence Core™ 2-qt Stainless Steel Sauce Pot w/ Lid, posted at Revereware.com, no posting date given, © 2017, site visited Feb. 8, 2017, <<http://www.revereware.com/copper-confidence-core%E2%08%A2-2-qt-stainless-steel-sauce-pot-w%2F-lid/1123142.html>>.
 The Kitchen Craft Difference, posted at Kitchencraftcookware.com, no posting date given, © 2017, <<http://www.kitchencraftcookware.com/about-us/>>.
 Frieling USA Black Cube Hybrid Stainless/Nonstick Cookware Tempered Glass Lid, 8-Inch Diameter, posted at Amazon.com, posted on Sep. 24, 2015, site visited Feb. 8, 2017, <https://www.amazon.com/Frieling-Stainless-Nonstick-Cookware-Tempered/dp/B015XX9FF4/ref=sr_1_7?ie=UTF8&qid=1486571221&sr=8-7&keywords=glass+and+metal+pan+lid>.
 Visual kitchen pot lid tempered glass cover large non-stick saucepan skillet stainless steel, posted at Aliexpress.com, no posting date given, © 2010-2016, site visited Feb. 8, 2017, <https://www.aliexpress.com/store/product/Visual-kitchen-pot-lid-tempered-glass-cover-large-non-stick-saucepan-skillet-stainless-steel-wok-lid/1726173_32453754257.html>.
 10-piece Stainless Steel Cookware Set with Glass Lids, posted at Houzz.com, no posting date given, © 2017, <<http://www.houzz.com/photos/5834412/10-piece-Stainless-Steel-Cookware-Set-with-Glass-Lids-contemporary-cookware-sets>>.
 Visions® 2.25L Casserole, 2.5L Saucepan / Stewpot Glass Lid, posted at Corningware.com, posted on Mar. 3, 2016, site visited Feb. 8, 2017, <<http://www.corningware.com/2.251-casserole,-2.51-saucepan-%2F-stewpot-glass-lid/1122299.html>>.

* cited by examiner

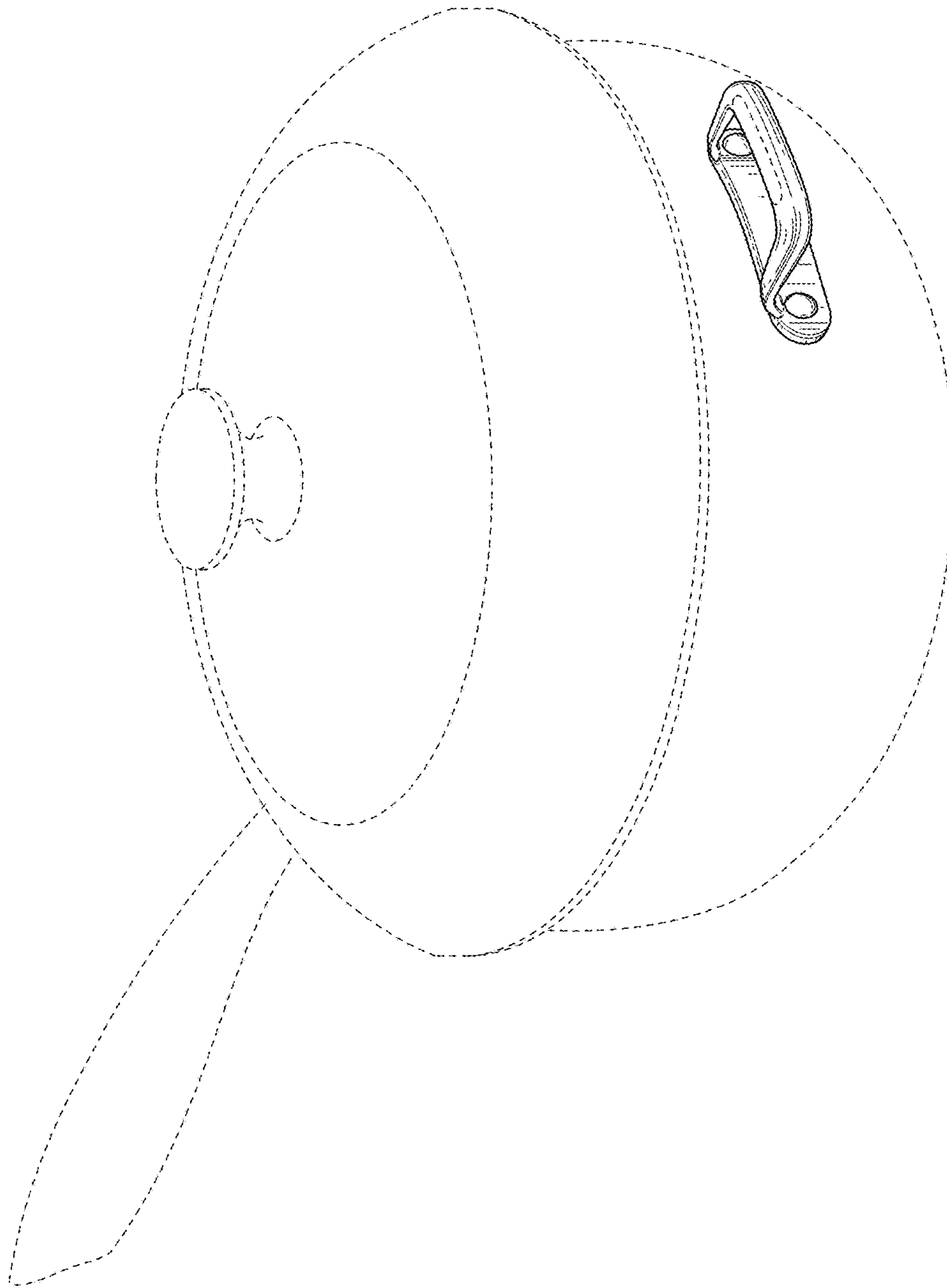


FIG. 1

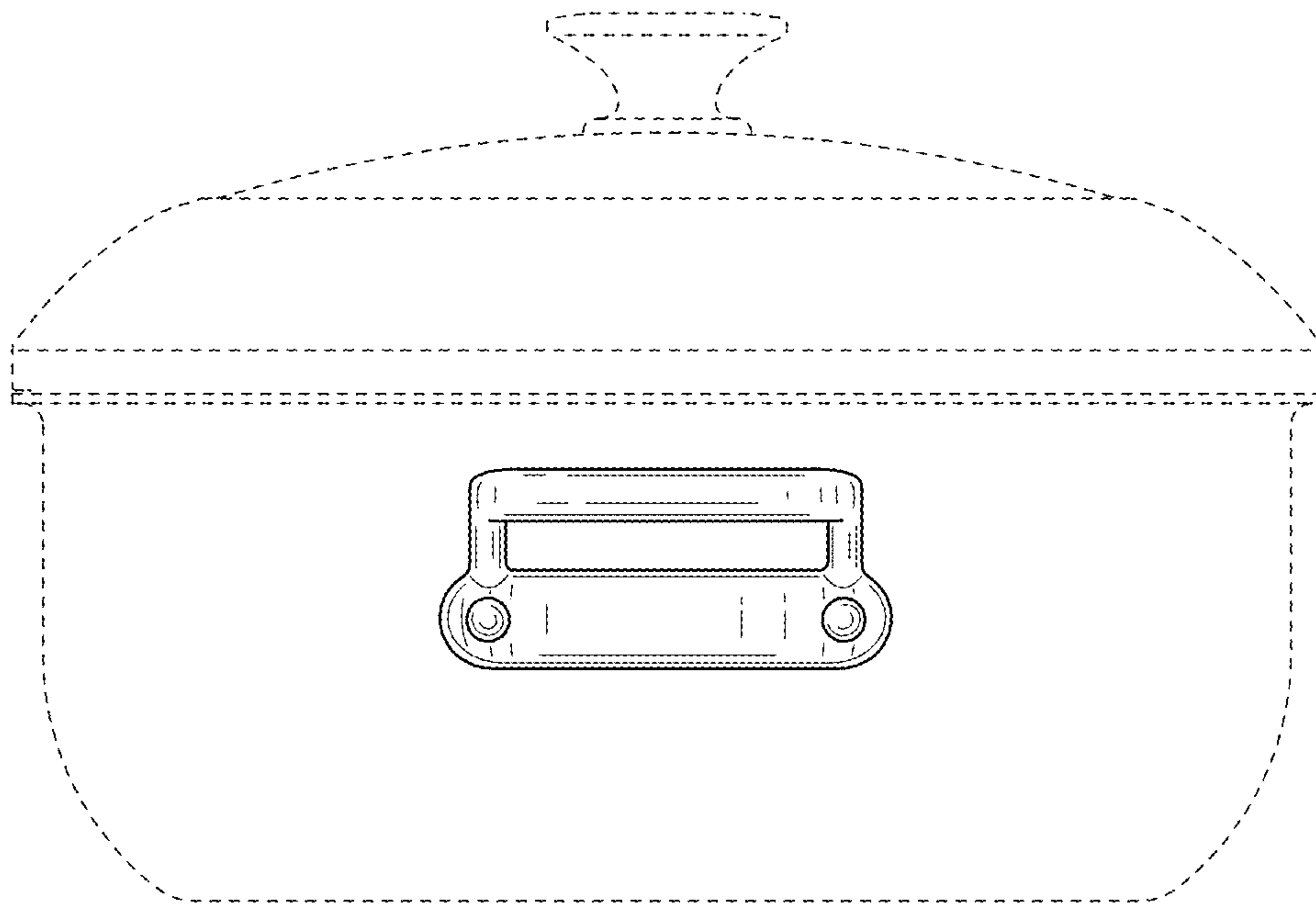


FIG. 2

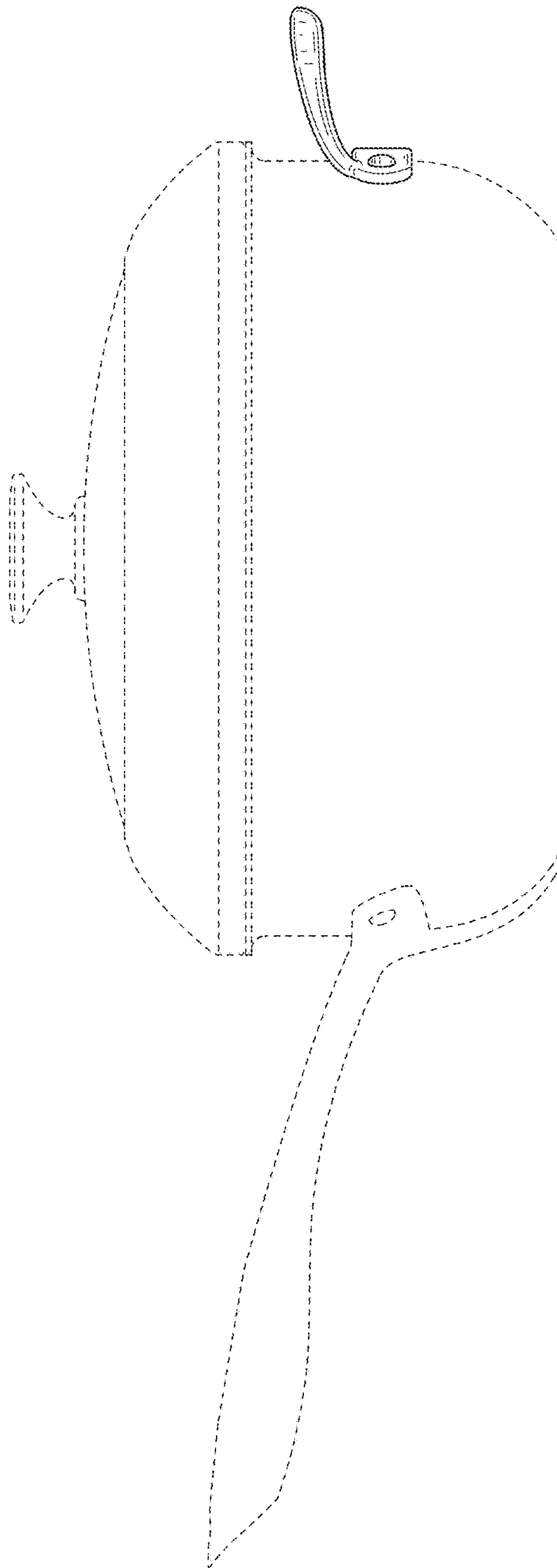


FIG. 3

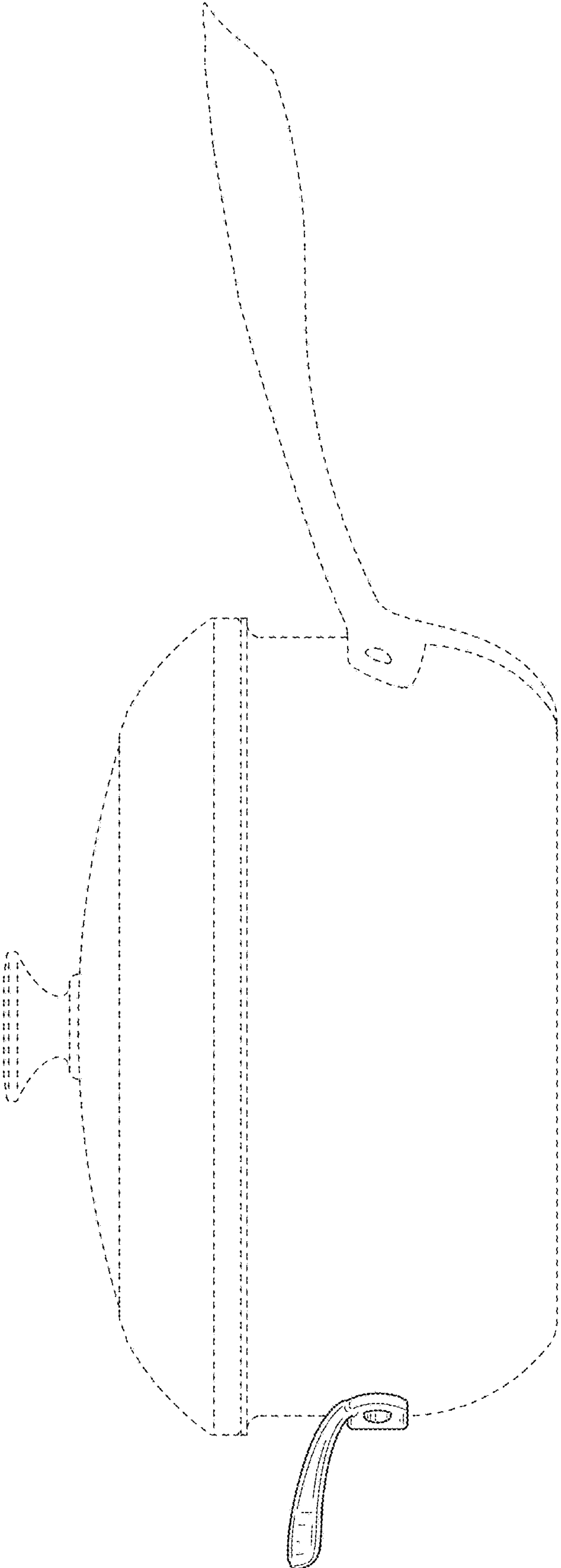


FIG. 4

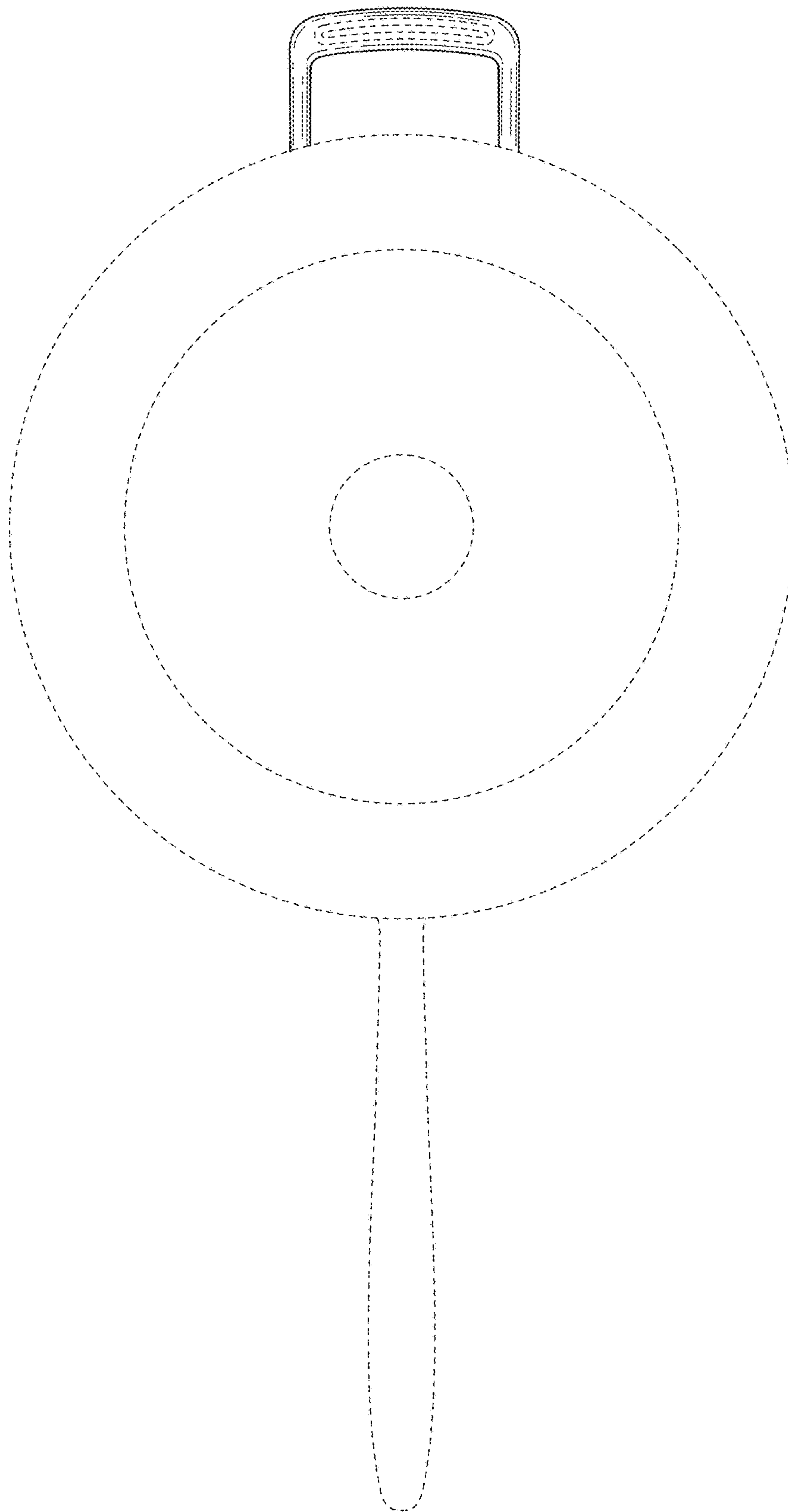


FIG. 5

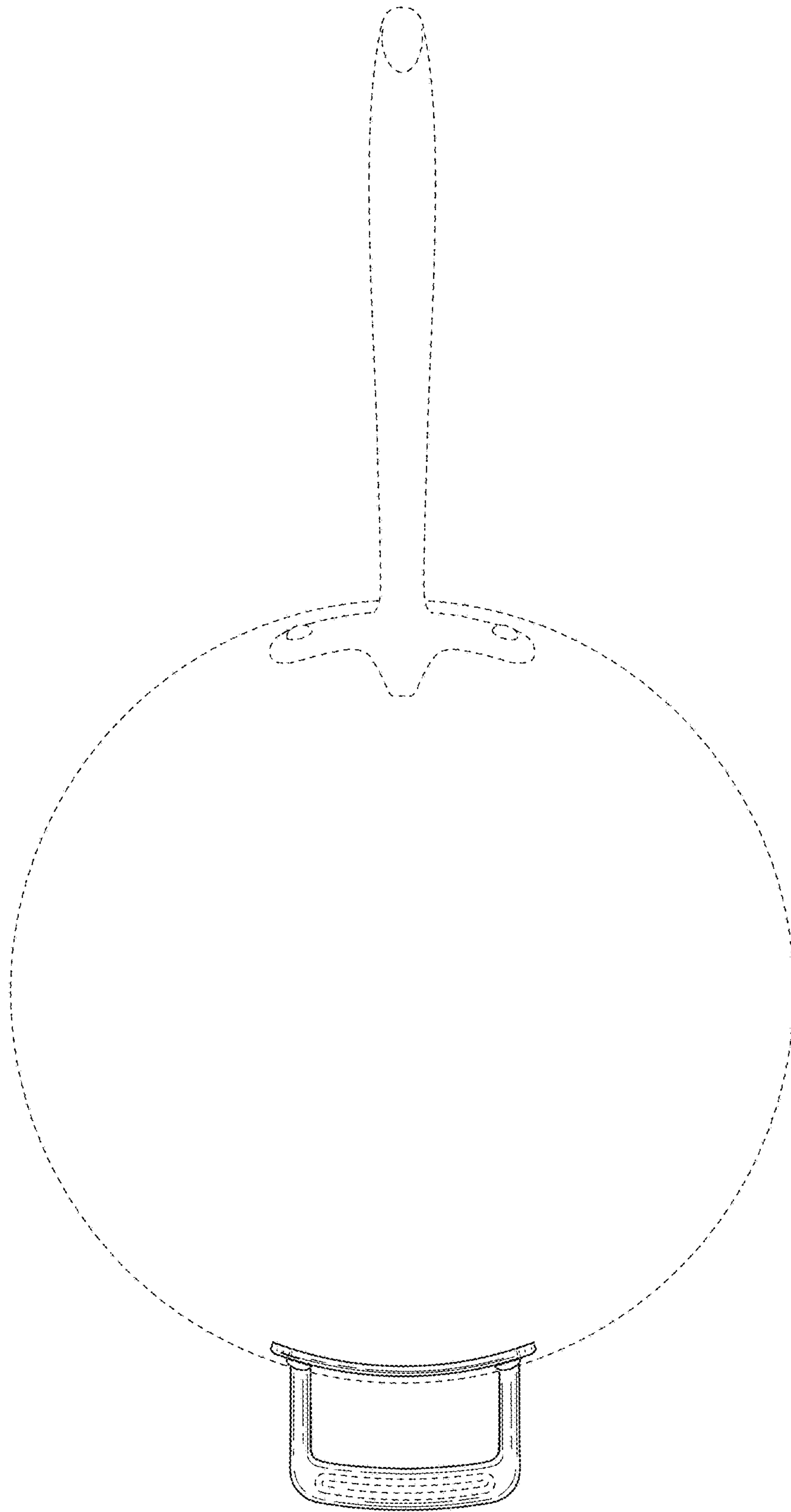


FIG. 6