



US00D814857S

(12) **United States Design Patent**
Rolfson et al.

(10) **Patent No.:** **US D814,857 S**
(45) **Date of Patent:** **** Apr. 10, 2018**

(54) **CAP**
(71) Applicant: **Earthwell, Inc.**, Portland, OR (US)
(72) Inventors: **Scott Rolfson**, Portland, OR (US);
Christopher Leiter, Happy Valley, OR (US)
(73) Assignee: **Earthwell, Inc.**, Portland, OR (US)
(**) Term: **15 Years**
(21) Appl. No.: **29/590,485**

D363,666 S * 10/1995 Goto D7/900
D375,050 S * 10/1996 Chahed D9/553
D500,428 S * 1/2005 Ward D7/392.1
D552,926 S * 10/2007 Yelland D7/392.1
D614,497 S * 4/2010 Pola D9/443
D636,269 S * 4/2011 Arnell D9/516
D644,060 S * 8/2011 Komeiji D7/392.1
D647,753 S * 11/2011 Lin D7/392.1
D653,123 S * 1/2012 Ziegler D9/773
D655,570 S * 3/2012 Meehan D7/510
D655,967 S * 3/2012 Bodum D7/392.1
D691,416 S * 10/2013 Eyal D7/396.2
D692,756 S * 11/2013 McClellan D9/447
D761,618 S * 7/2016 Lapsker D7/392.1
D771,990 S * 11/2016 Horowitz D7/300.1
D797,555 S * 9/2017 Carlson D9/436

(Continued)

(22) Filed: **Jan. 10, 2017**
(51) **LOC (11) Cl.** **07-99**
(52) **U.S. Cl.**
USPC **D7/392.1**; D7/396.2; D9/449
(58) **Field of Classification Search**
USPC D9/428, 429, 434, 435, 442, 443,
D9/445-450, 453-456, 499, 682, 684,
D9/685, 726; D7/387, 388, 392, 392.1,
D7/393, 396.2, 396.3, 396.4, 401.1, 408,
D7/504, 507, 509-511, 538, 900;
D3/202, 203.2, 318; D28/91.1
CPC .. A61J 1/00; A61J 1/1412; B65D 1/00; B65D
1/02; B65D 1/10; B65D 1/46; B65D
2585/56; B65D 2585/545; B65D 41/00;
B65D 41/38; B65D 41/56; B65D 41/62;
B65D 47/00; B65D 47/06; B65D 47/08;
B65D 2543/00046; B65D 2543/00092;
B65D 2543/00296; B65D 5/46; B65D
2251/00

See application file for complete search history.

(56) **References Cited**

U.S. PATENT DOCUMENTS

D155,134 S * 9/1949 Dykstra D9/555
D259,097 S * 5/1981 Kretz D7/598

Primary Examiner — Michael A. Pratt
Assistant Examiner — Wendy Arminio
(74) *Attorney, Agent, or Firm* — Berkeley Law &
Technology Group, LLP

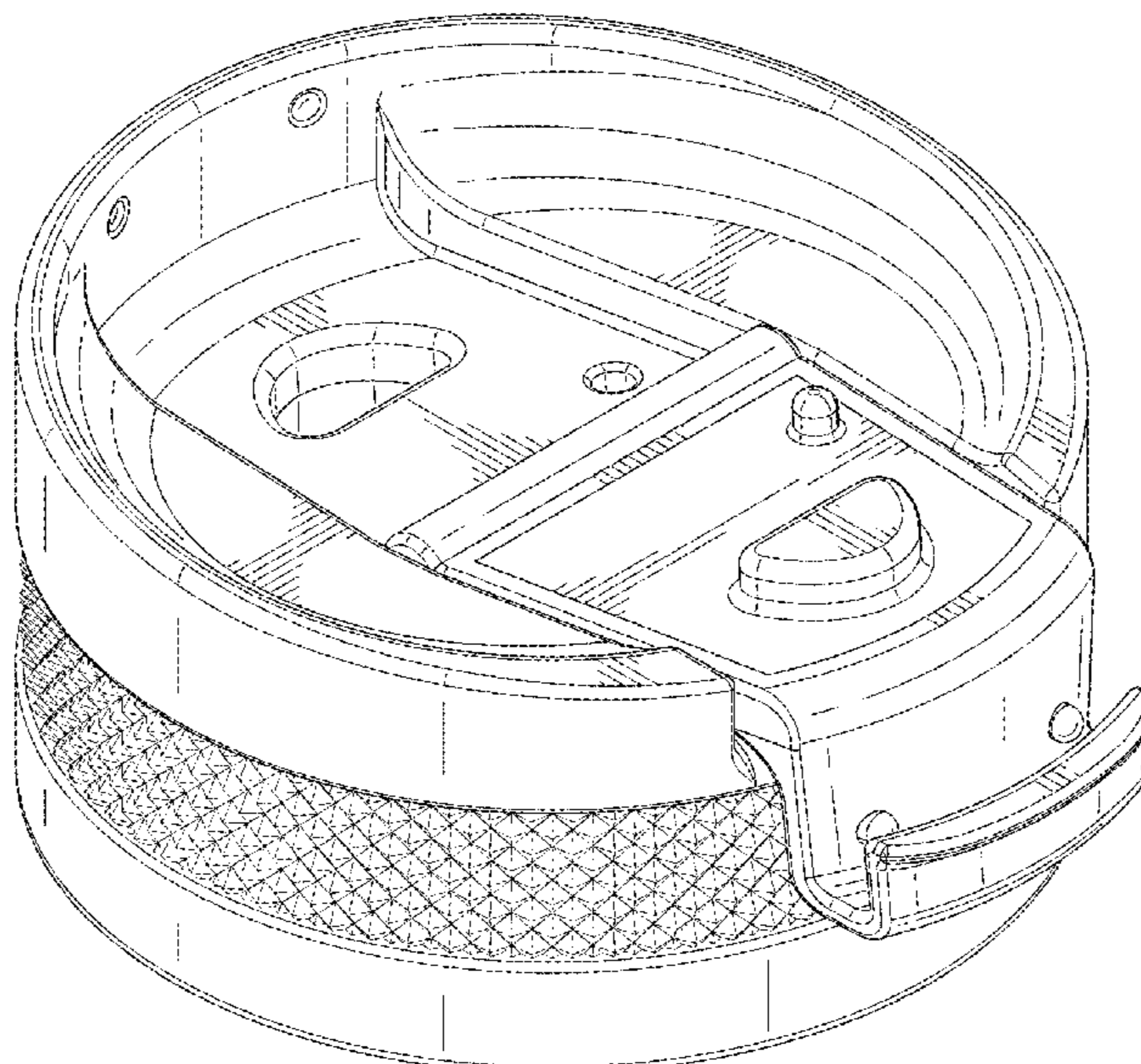
(57) **CLAIM**

The ornamental design for a cap, as shown and described.

DESCRIPTION

FIG. 1 is a top and front perspective view of a cap showing our new design;
FIG. 2 is a front elevational view of FIG. 1;
FIG. 3 is a back elevational view of FIG. 1;
FIG. 4 is a right side elevational view of FIG. 1;
FIG. 5 is a left side elevational view of FIG. 1;
FIG. 6 is a top plan view of FIG. 1;
FIG. 7 is a bottom plan view of FIG. 1;
FIG. 8 is a bottom perspective view of FIG. 1; and,
FIG. 9 is an isometric view of the cap shown in a position of use on an unclaimed cup drawn in broken lines.
The broken lines in FIG. 9 represent environmental subject matter and form no part of the claimed design.

1 Claim, 7 Drawing Sheets



(56)

References Cited

U.S. PATENT DOCUMENTS

2012/0125931 A1* 5/2012 Roth A47G 19/22
220/254.3

* cited by examiner

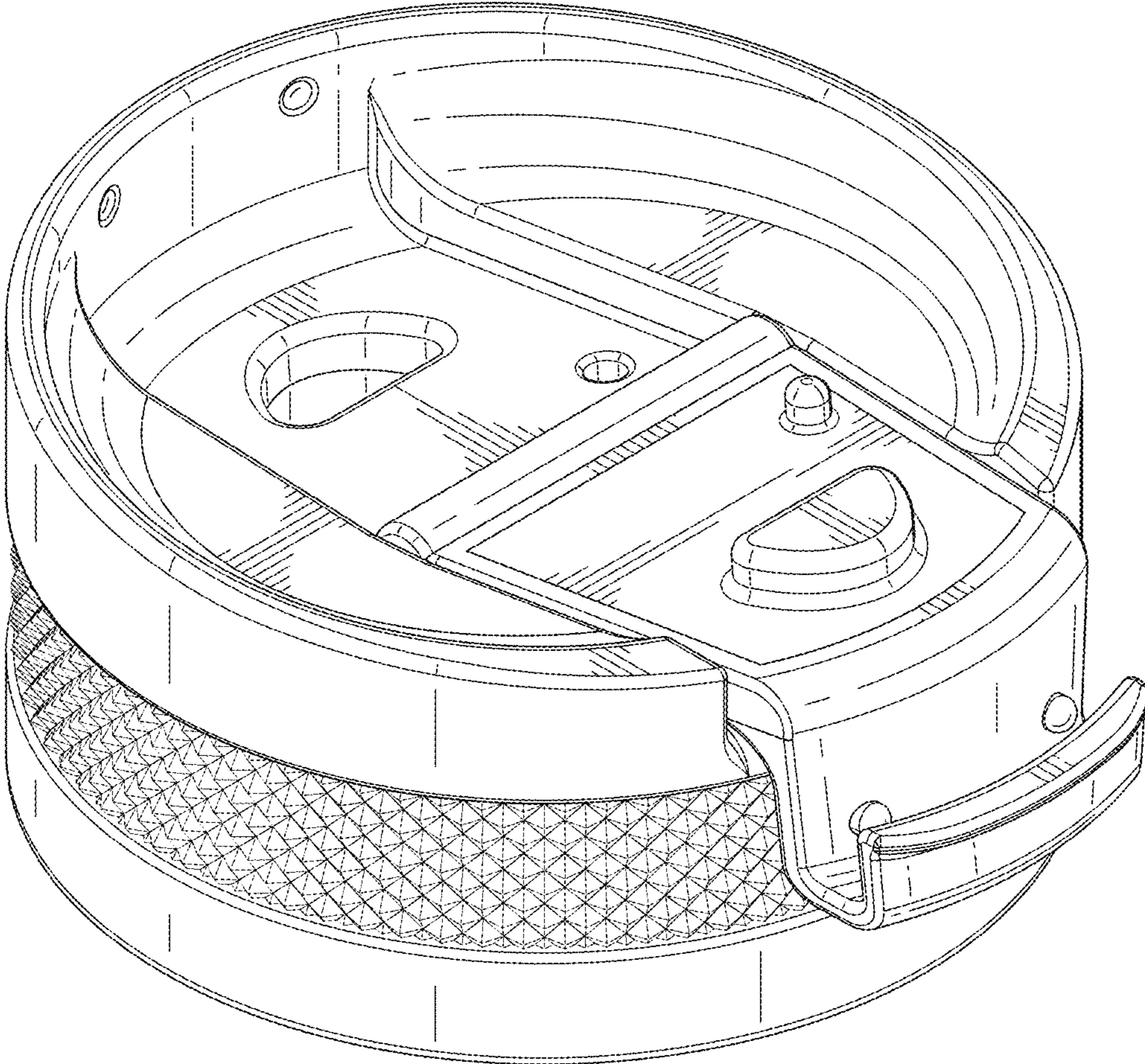


FIG. 1

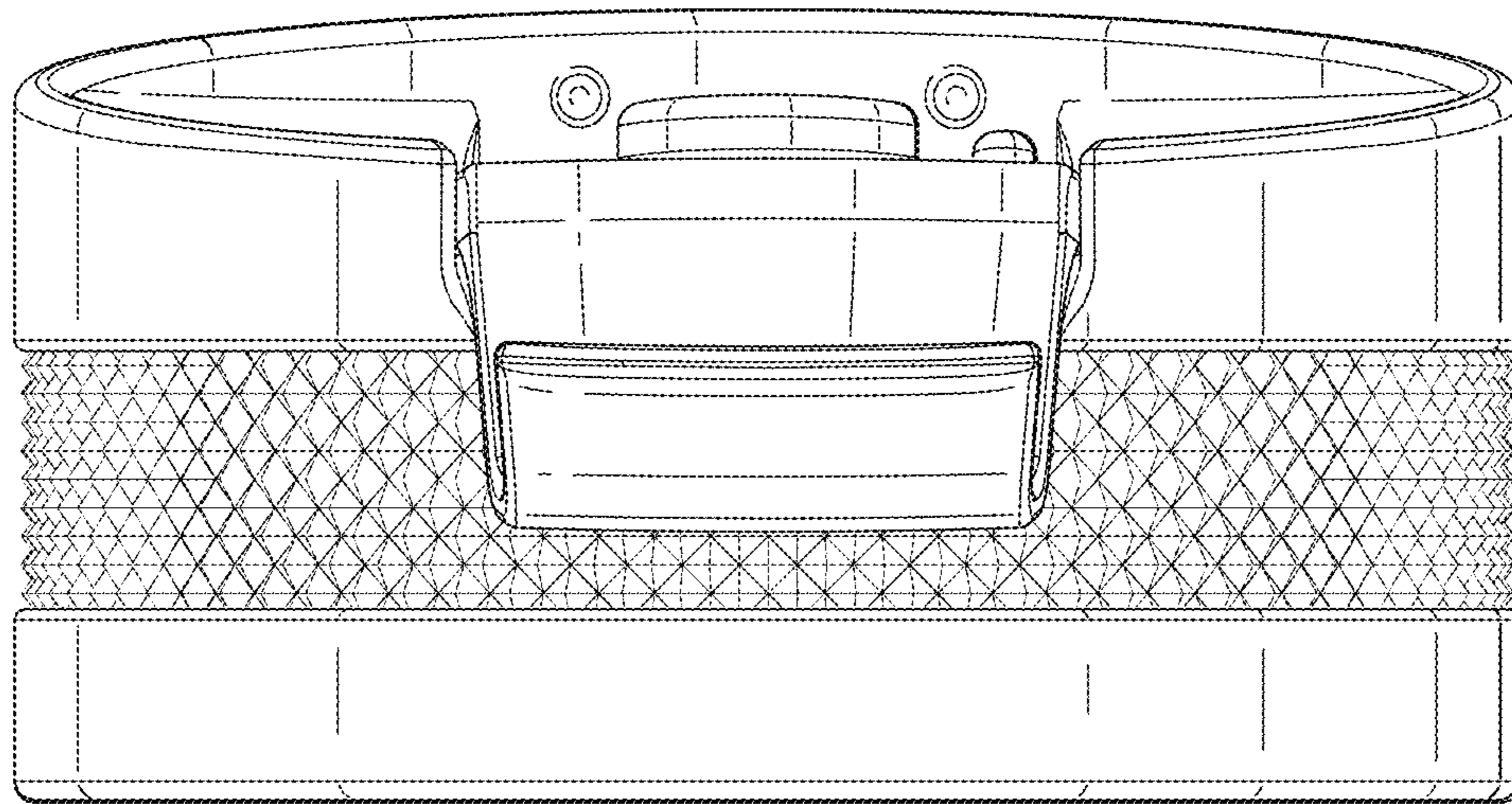


FIG. 2

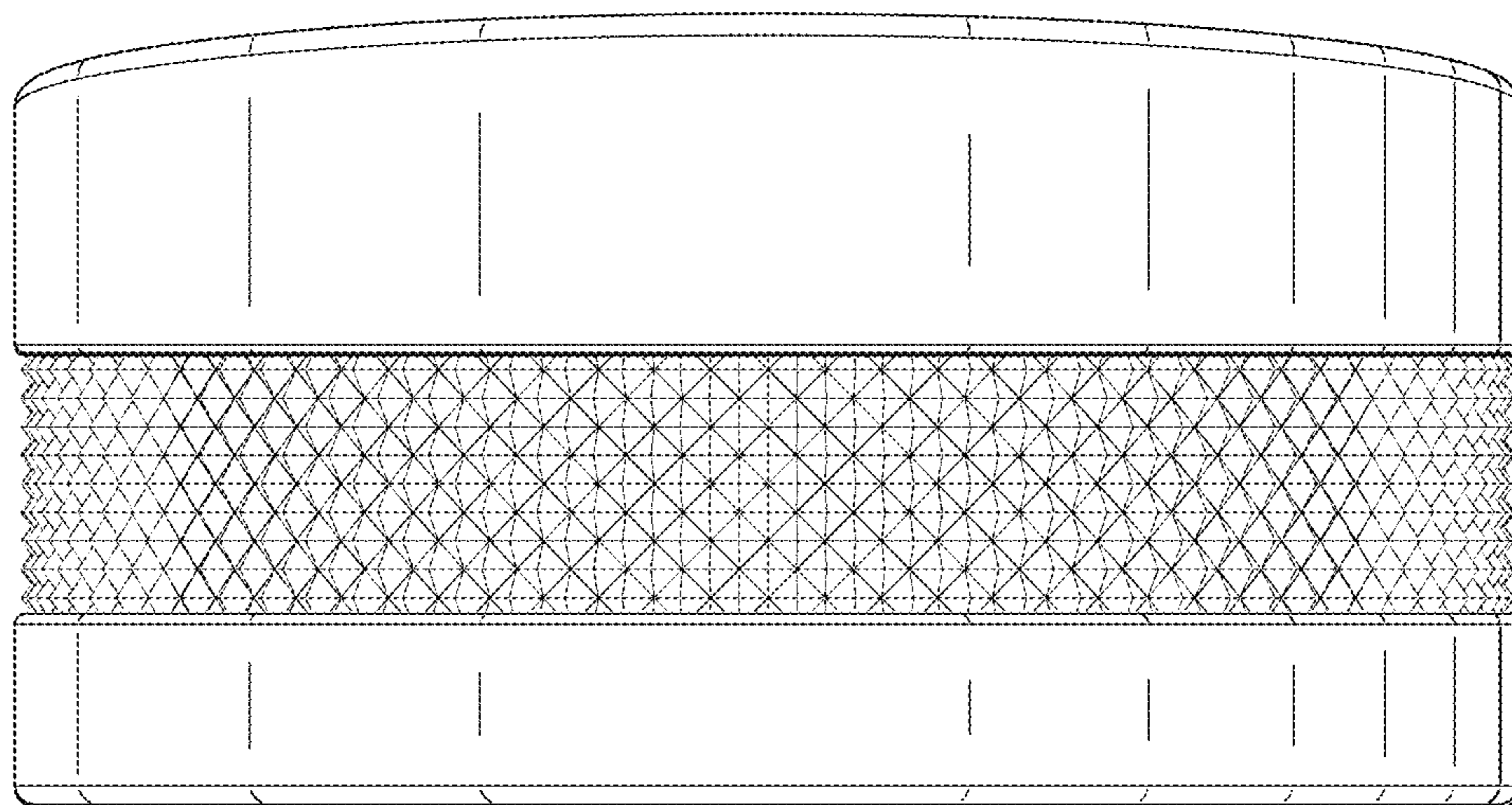


FIG. 3

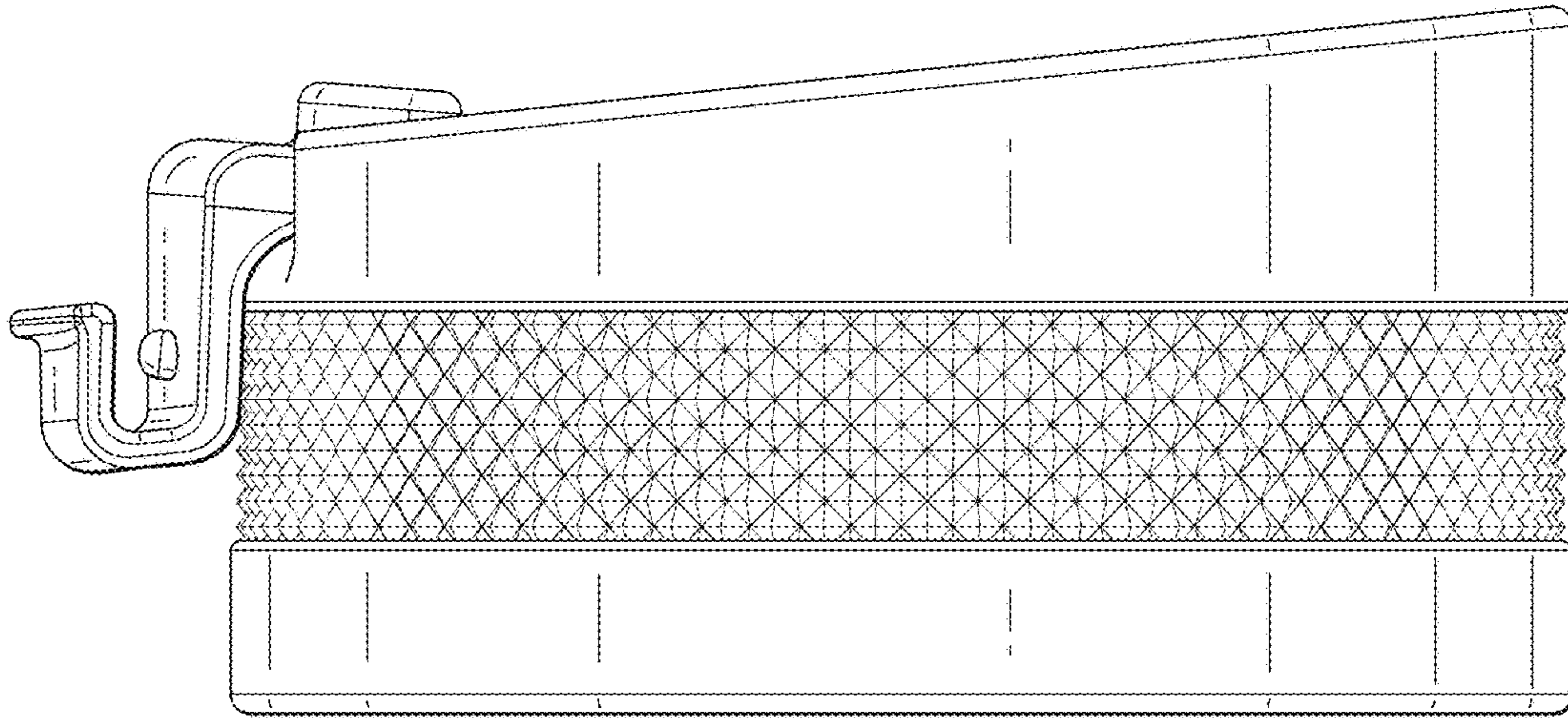


FIG. 4

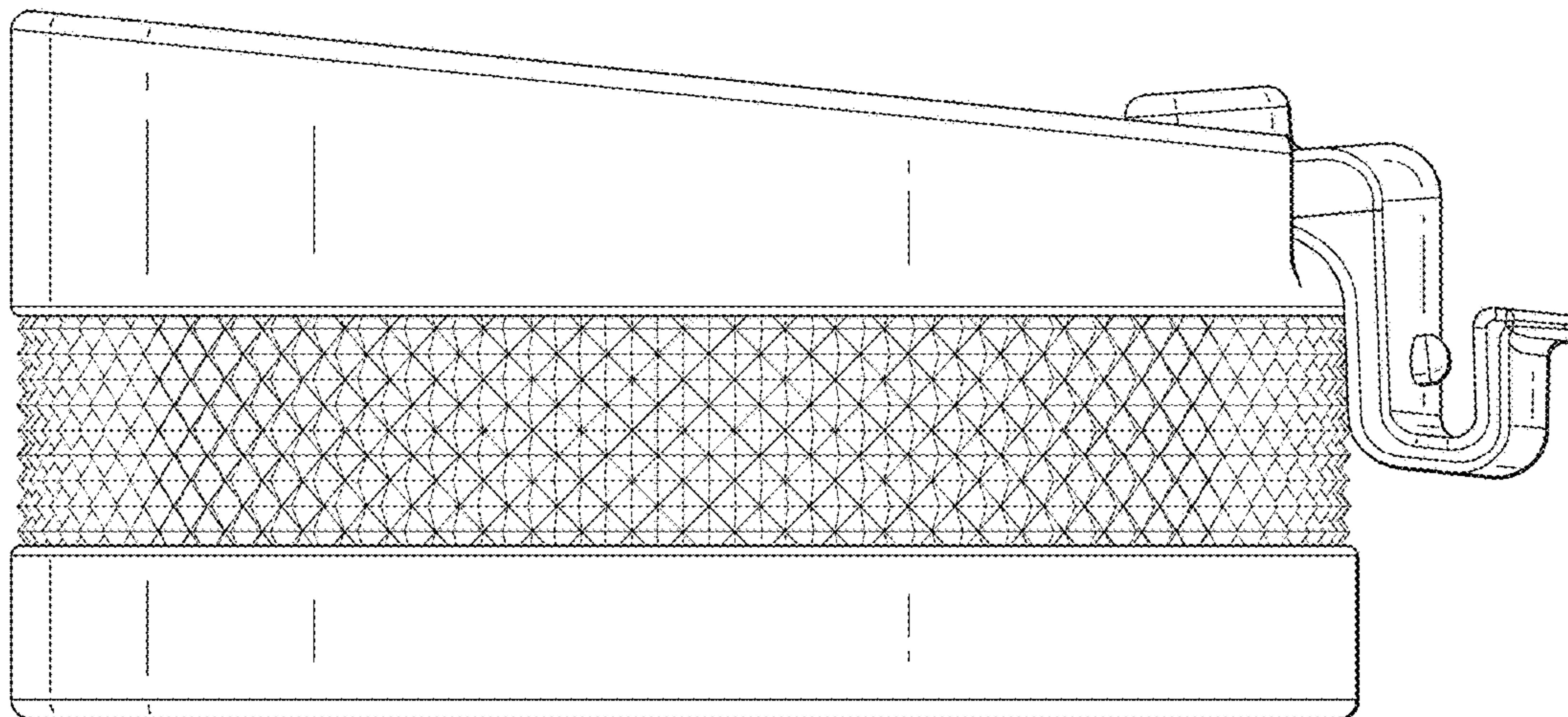


FIG. 5

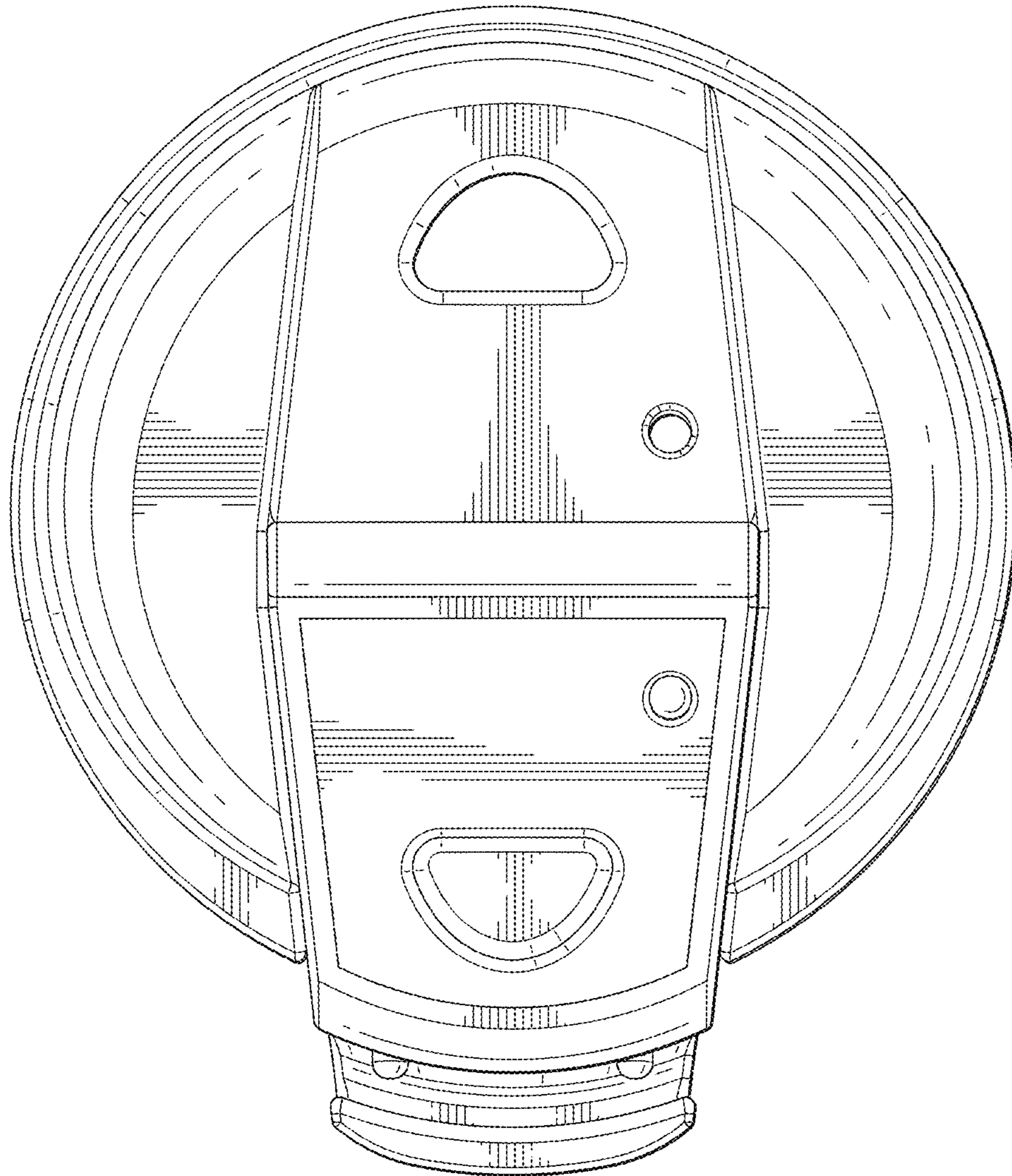


FIG. 6

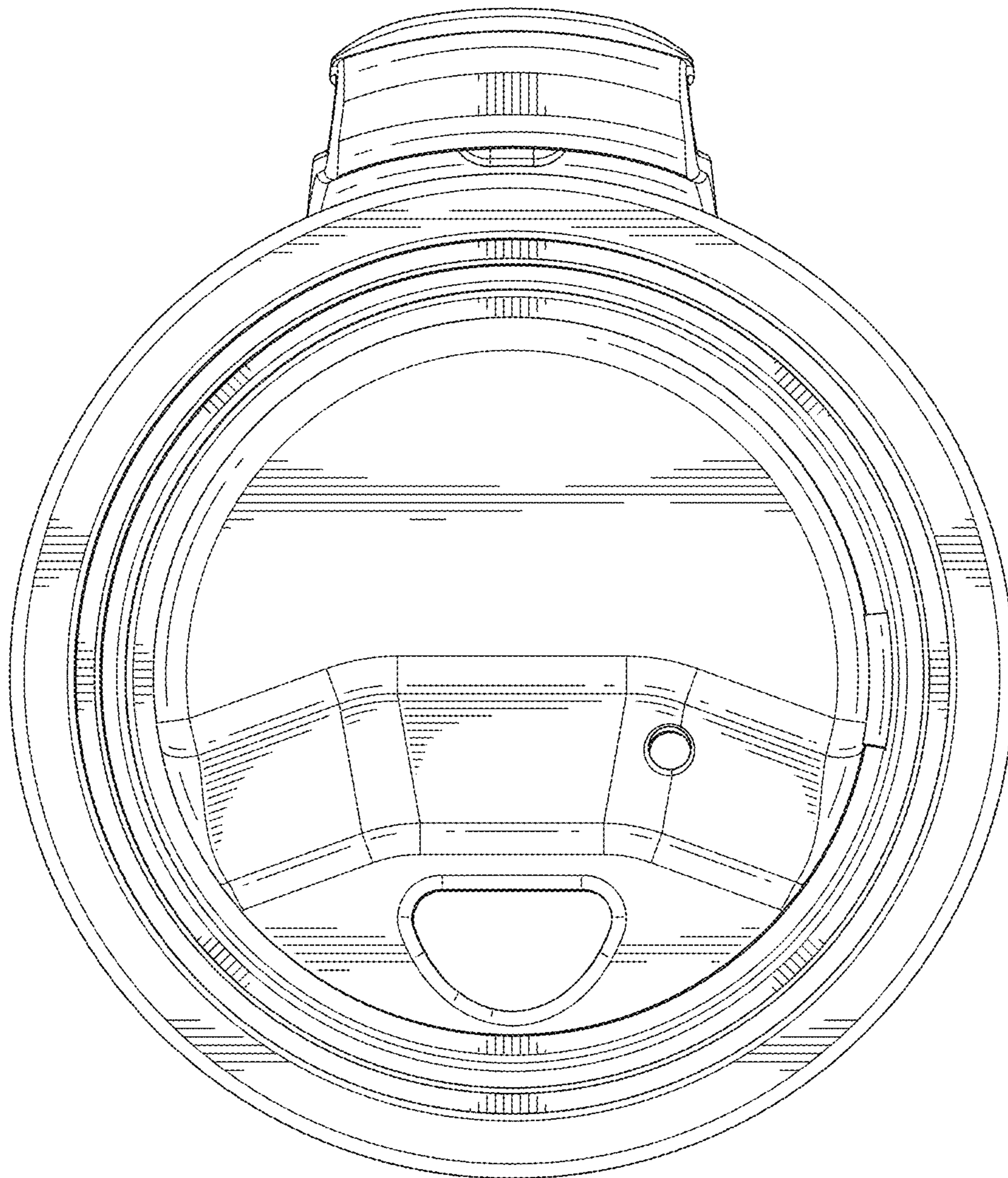


FIG. 7

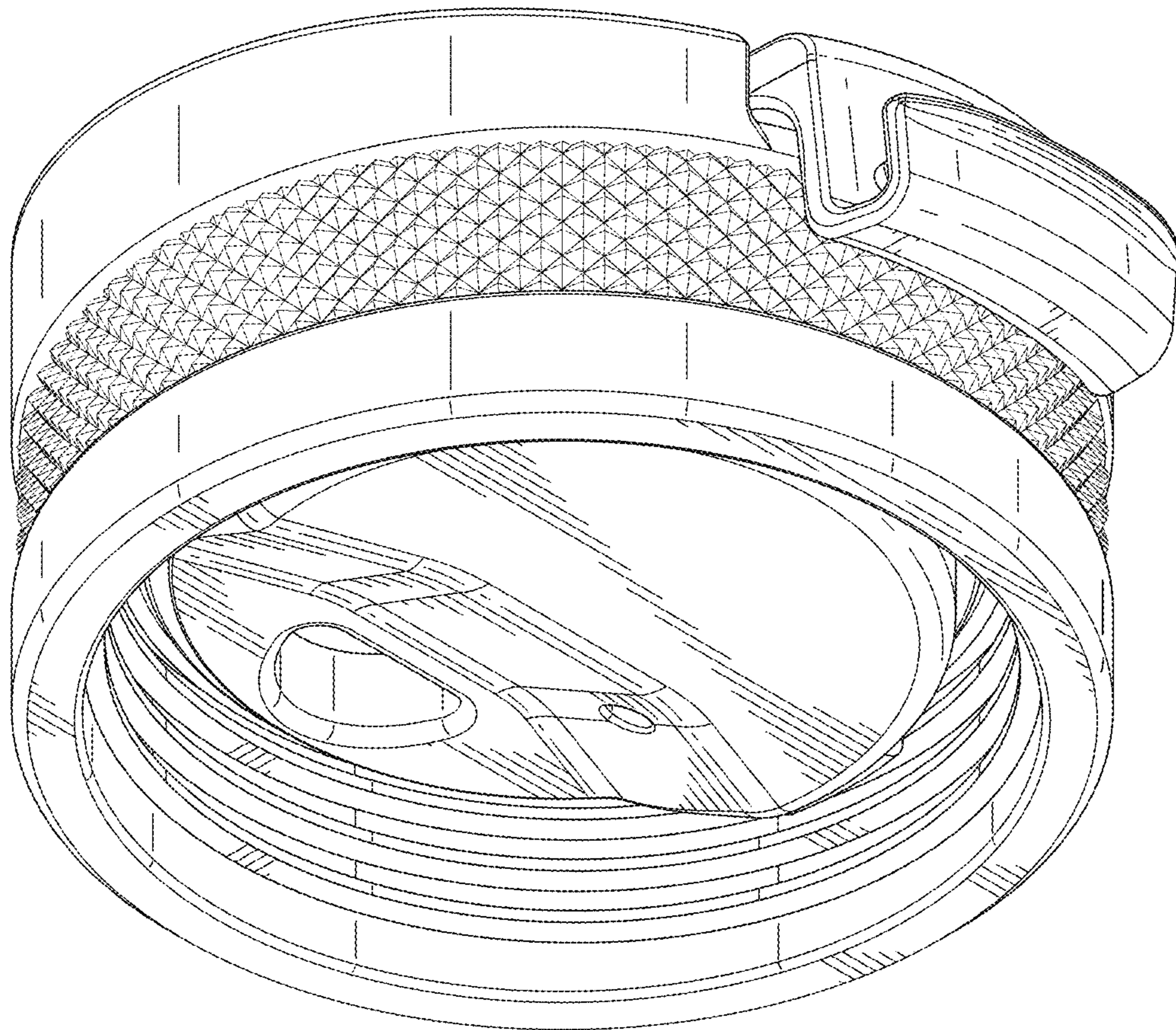


FIG. 8

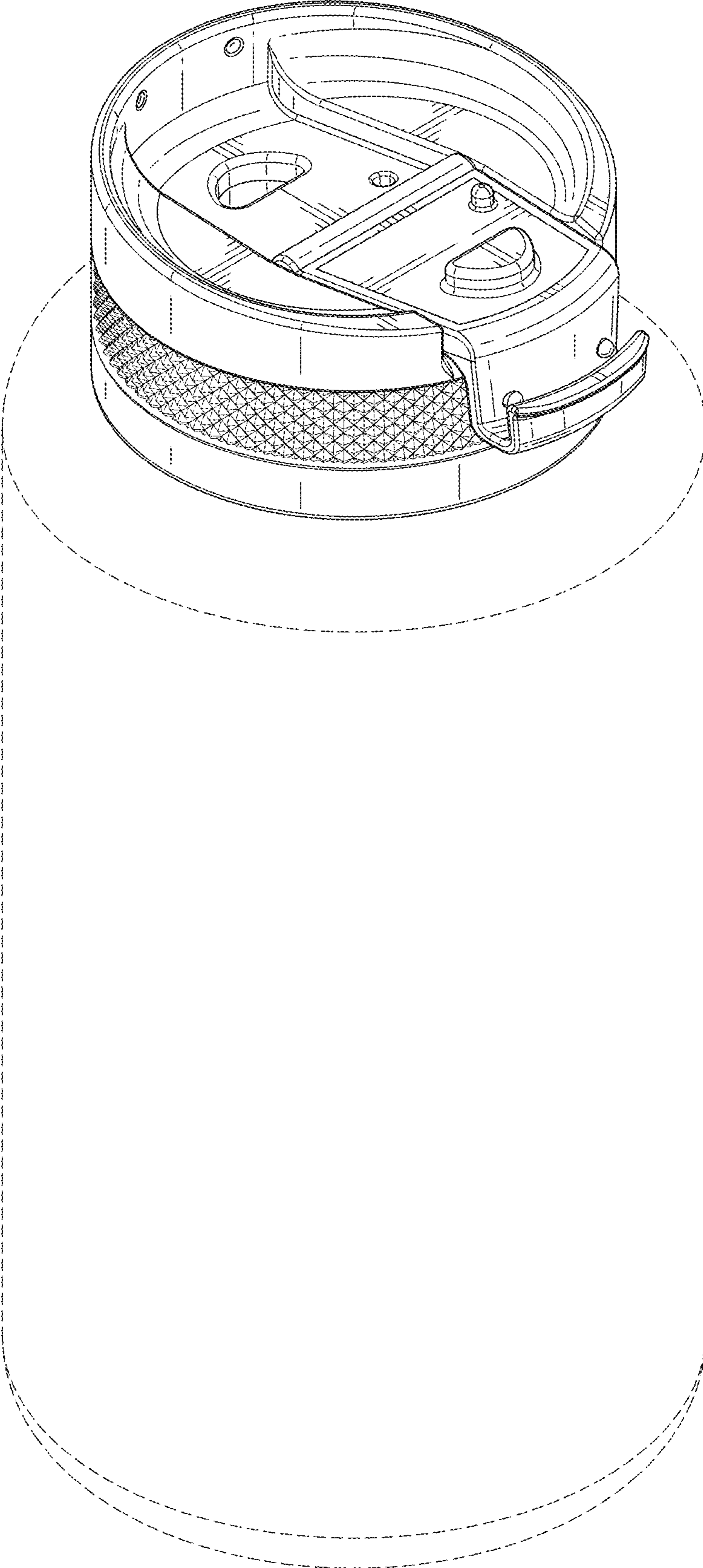


FIG. 9