



US00D814855S

(12) **United States Design Patent**
Hammer

(10) **Patent No.:** **US D814,855 S**
(45) **Date of Patent:** **** Apr. 10, 2018**

(54) **LID FOR BEVERAGE CONTAINER**

(71) Applicant: **IGNITE USA, LLC**, Chicago, IL (US)

(72) Inventor: **Allison Michelle Hammer**, Chicago, IL (US)

(73) Assignee: **IGNITE USA, LLC**, Chicago, IL (US)

(**) Term: **15 Years**

(21) Appl. No.: **29/582,683**

(22) Filed: **Oct. 28, 2016**

(51) **LOC (11) Cl.** **07-01**

(52) **U.S. Cl.**
USPC **D7/392.1**

(58) **Field of Classification Search**
USPC D7/391, 392, 392.1, 396.1, 396.2, 397,
D7/509, 510, 543, 629; D9/435, 443,
D9/447, 449, 516
CPC B65D 2543/0092; B65D 47/122; B65D
47/066

See application file for complete search history.

(56) **References Cited**

U.S. PATENT DOCUMENTS

5,873,478	A *	2/1999	Sullivan	A47G 19/2266 215/389
D649,879	S *	12/2011	Gullickson	D9/443
D652,256	S *	1/2012	Eyal	D7/510
D683,581	S *	6/2013	Archer	D7/392.1
D685,606	S *	7/2013	Keys	D7/392.1
8,602,238	B2 *	12/2013	El-Saden	B65D 47/066 215/389
D704,986	S *	5/2014	Manies	D7/392
RE45,055	E *	8/2014	Roth	D7/392.1
D729,569	S *	5/2015	Herbst	D7/392
D747,136	S *	1/2016	Lane	D7/396.2

D793,154	S *	8/2017	Sorensen	D7/392.1
2009/0026218	A1 *	1/2009	Wong	B65D 47/066 220/713
2014/0138395	A1 *	5/2014	Joy	A47G 19/2266 220/715

OTHER PUBLICATIONS

“Salute Tritan Bottle—Flip Straw”. Found online Oct. 27, 2016 at waterbottles.com. Page dated Oct. 10, 2014. Retrieved from <http://web.archive.org/web/20141010061310/http://waterbottles.com/salute-24-oz-tritan-bottle-flip-straw-lid>.*

(Continued)

Primary Examiner — Robert M. Spear

Assistant Examiner — Kendra Leslie Hamilton

(74) *Attorney, Agent, or Firm* — Marshall, Gerstein & Borun LLP

(57) **CLAIM**

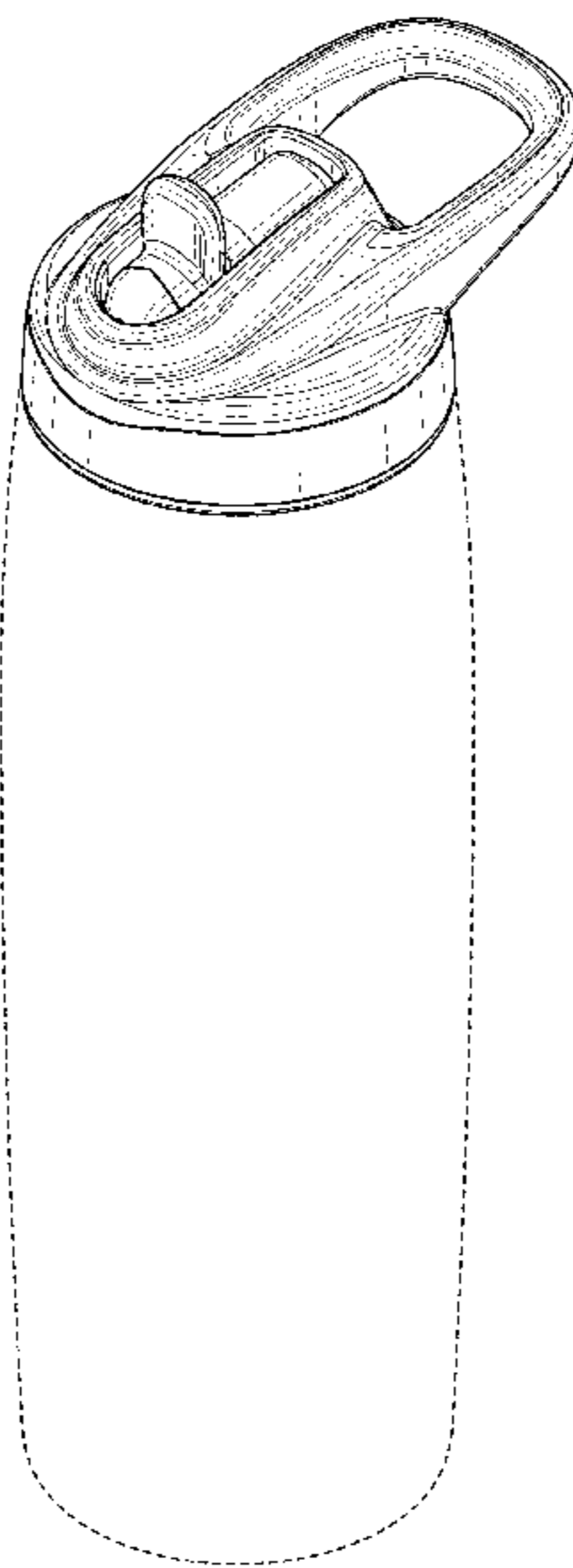
The ornamental design for a lid for beverage container, as shown and described.

DESCRIPTION

FIG. 1 is a top front left perspective view of a lid for beverage container, showing my new design;
FIG. 2 is a front view of the lid for beverage container illustrated in FIG. 1;
FIG. 3 is a rear view of the lid for beverage container illustrated in FIG. 1;
FIG. 4 is a right-hand side of the lid for beverage container illustrated in FIG. 1;
FIG. 5 is left-hand side of the lid for beverage container illustrated in FIG. 1;
FIG. 6 is a top view of the lid for beverage container illustrated in FIG. 1; and,
FIG. 7 is a bottom view of the lid for beverage container illustrated in FIG. 1.

The broken lines in the drawings depict environmental subject matter and form no part of the claimed design.

1 Claim, 7 Drawing Sheets



(56)

References Cited

OTHER PUBLICATIONS

“Nathan Flip Straw Pure Bottle”. Found online Jun. 27, 2017 at goodhousekeeping.com. Page dated Apr. 2009. Retrieved from <http://www.goodhousekeeping.com/home-products/reusable-water-bottle-reviews/a28689/nathan-flip-straw-pure-bottle-626/>.*

“Camelbak Groove Stainless”. Found online Aug. 26, 2015 at shop.camelbak.com. Page dated Nov. 21, 2011. Retrieved from <http://shop.camelbak.com/groove-stainless-6l/d/1206/>.*

“AVEX Freestyle Kids Autospout Water Bottle”. Found online Oct. 24, 2017 at amazon.com. Page dated Jul. 15, 2014. Retrieved from https://www.amazon.com/Freestyle-Autospout-Bottle-Orange-Superhero/dp/B00X0YTDCO/ref=sr_1_4?ie=UTF8&qid=1508879300&sr=8-4&keywords=avex.*

Flo Duo Double Wall Insulated Water Bottle—24 oz., downloaded from the Internet at: <http://www.bubbabrands.com/water-bottles/flo-duo-double-wall-insulated-water-bottle---24oz/31.html>.

Capri Water Bottle with Silicone Sleeve—28 oz., downloaded from the Internet at: http://www.bubbabrands.com/water-bottles/capri-water-bottle-with-silicone-sleeve---28-oz/106.html?dwvar_106_color=Blue#q=capri&start=2.

* cited by examiner

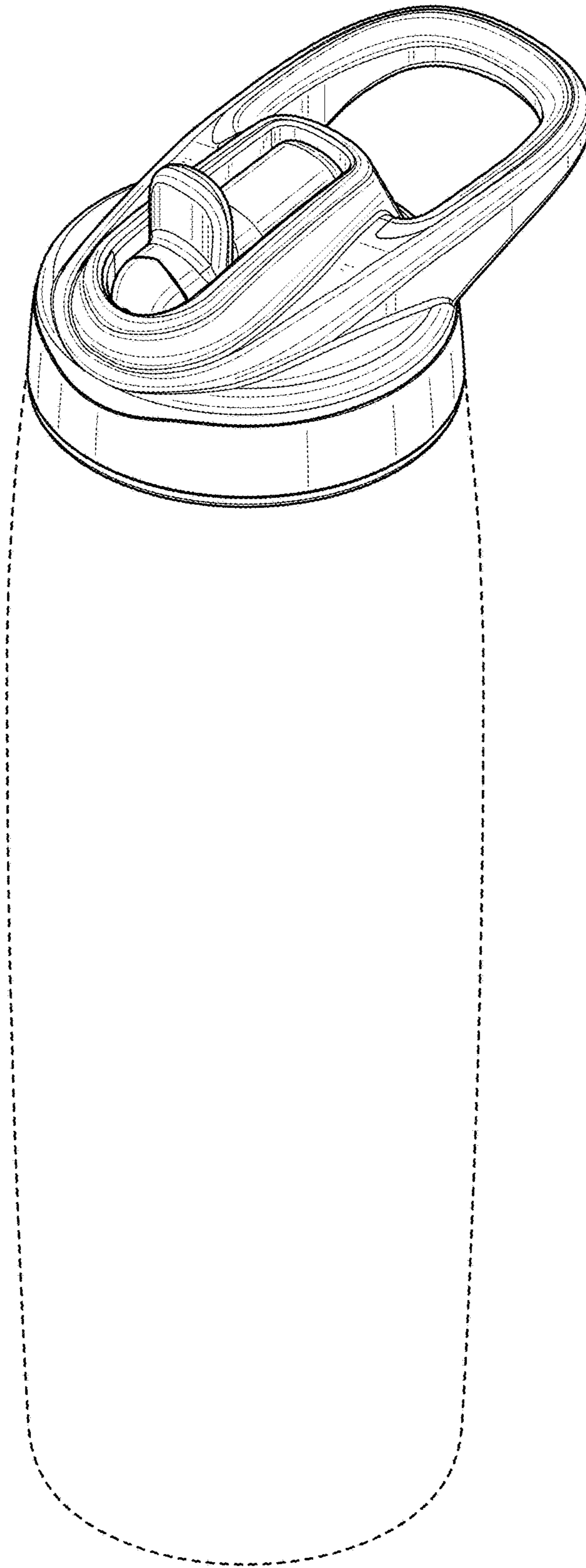


FIG. 1



FIG. 2



FIG. 3

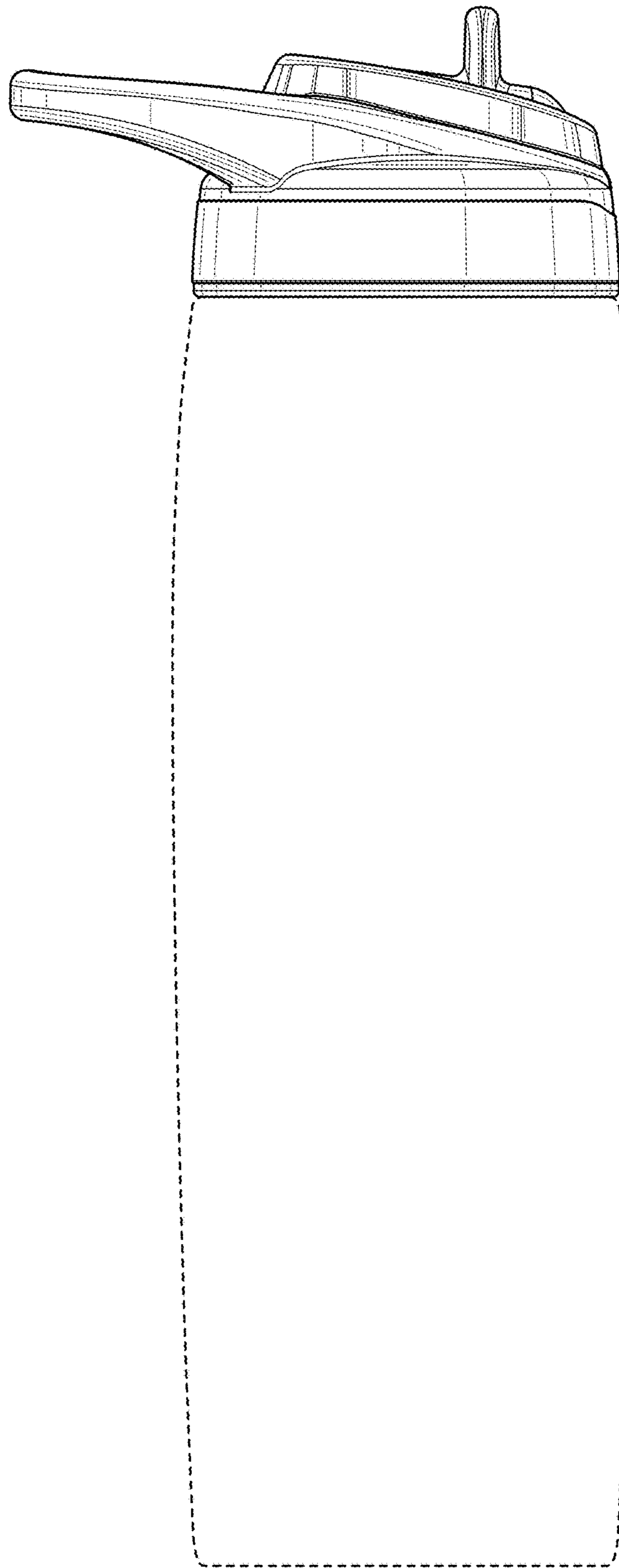


FIG. 4

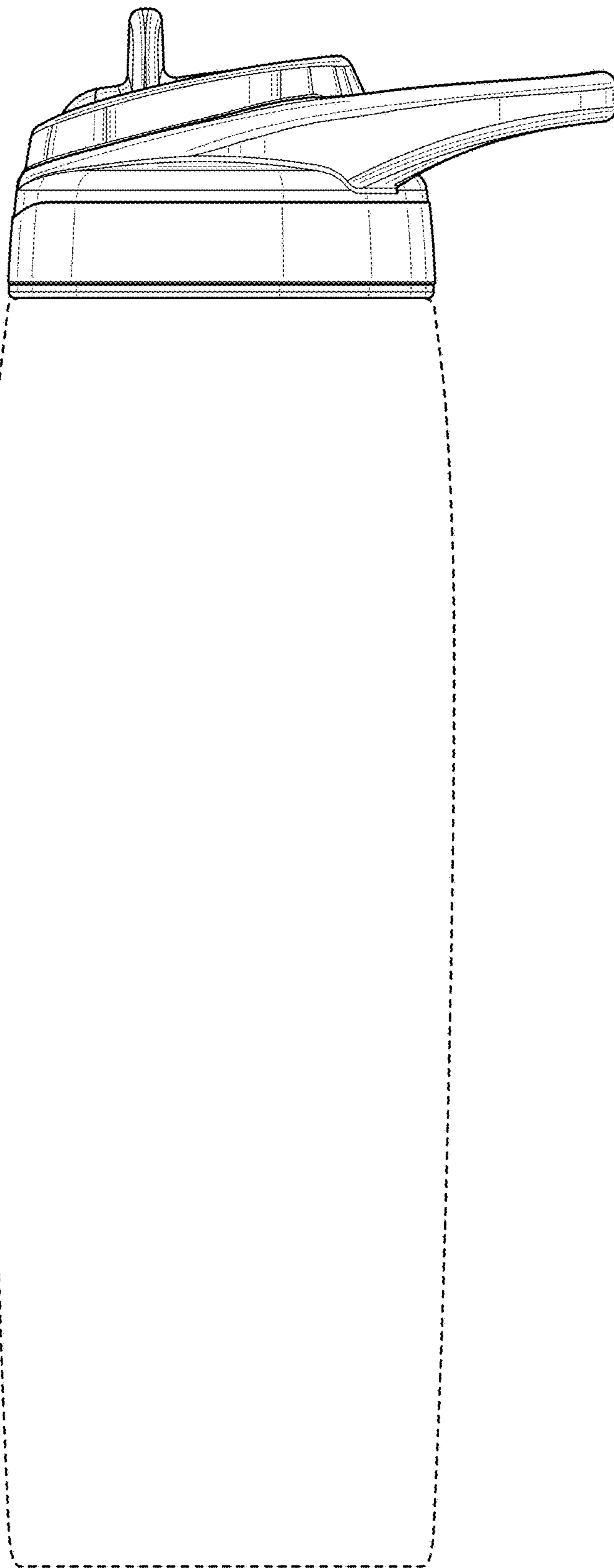


FIG. 5

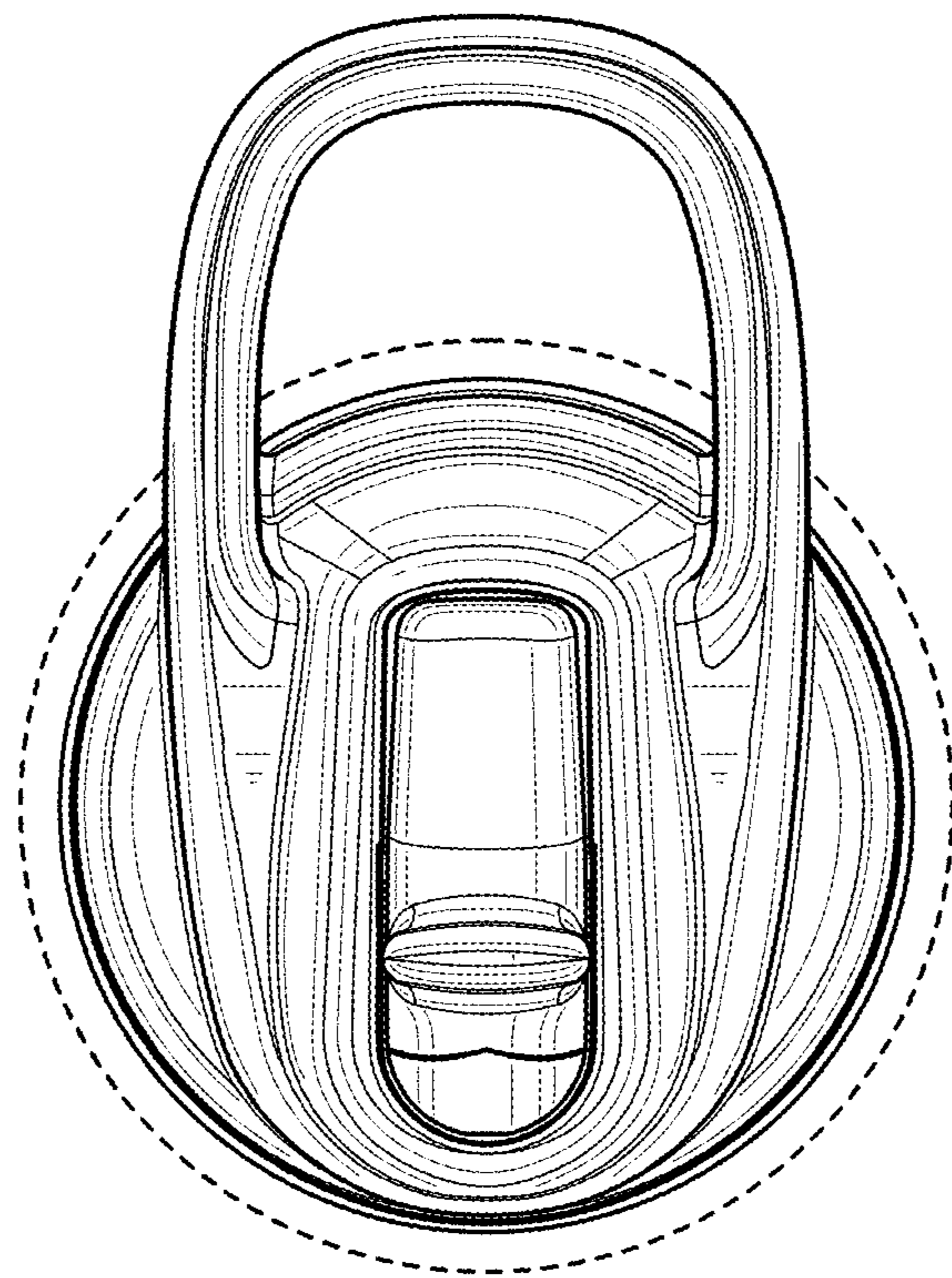


FIG. 6

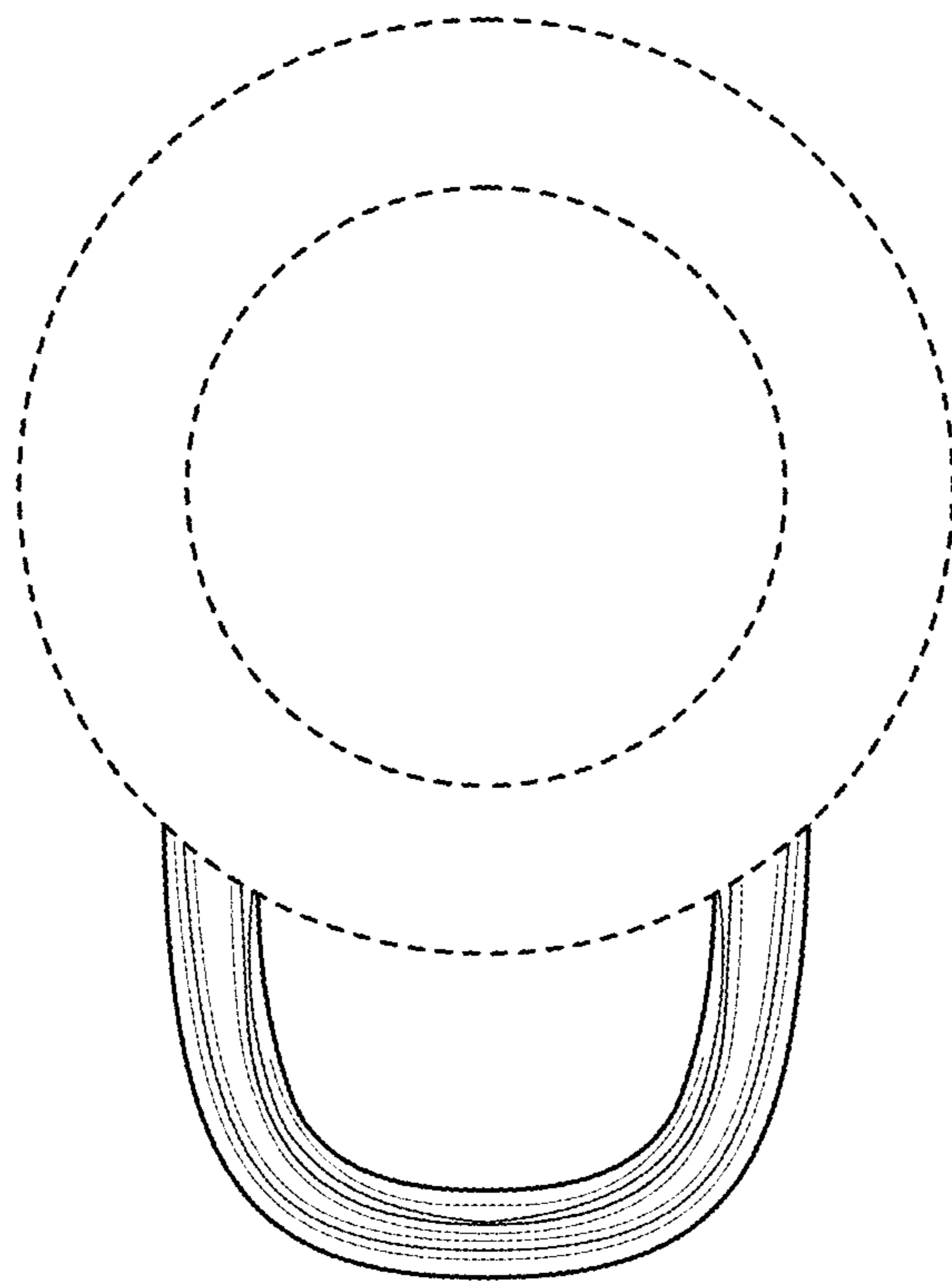


FIG. 7