



US00D814854S

(12) **United States Design Patent** (10) **Patent No.:** **US D814,854 S**
Melanson et al. (45) **Date of Patent:** **** Apr. 10, 2018**

(54) **LID FOR A BEVERAGE CONTAINER**

5/12; B28C 5/14; B28C 5/16; B65D 1/0292; B65D 47/122; B65D 75/5883

See application file for complete search history.

(71) Applicant: **OTTER PRODUCTS, LLC**, Fort Collins, CO (US)

(56)

References Cited

(72) Inventors: **Christopher J. Melanson**, Fort Collins, CO (US); **Shanshan Li**, Fort Collins, CO (US); **Ross V. Bulkley**, Loveland, CO (US); **Alex S. Breeden**, Fort Collins, CO (US)

U.S. PATENT DOCUMENTS

(73) Assignee: **Otter Products, LLC**, Fort Collins, CO (US)

D375,019	S	*	10/1996	Goto	D7/392.1
6,324,966	B1		12/2001	Joergensen		
D455,052	S		4/2002	Gullickson et al.		
D455,612	S		4/2002	Gullickson et al.		
6,626,326	B2		9/2003	Murakami		
D488,960	S	*	4/2004	Wahl	D7/608
7,011,227	B2		3/2006	Ward et al.		
D547,607	S		7/2007	Forsman		
D564,841	S		3/2008	Clemens et al.		
D592,906	S		5/2009	Allen et al.		
7,533,783	B2		5/2009	Choi et al.		
D626,837	S		11/2010	Meyers_ et al.		
D630,093	S	*	1/2011	Bardet	D9/438
D656,360	S		3/2012	Miller et al.		
8,191,727	B2		6/2012	Davies et al.		
8,251,247	B1		8/2012	Breckner		
D672,648	S	*	12/2012	Goto	D9/443
D675,059	S	*	1/2013	Carreno	D7/392.1
D682,034	S		5/2013	El-Saden et al.		
8,469,226	B2		6/2013	Davies et al.		
D686,871	S	*	7/2013	Lane	D7/392.1
8,602,238	B2		12/2013	El-Saden et al.		
8,622,237	B2		1/2014	Choi et al.		
D700,012	S		2/2014	Hurley et al.		
D700,802	S		3/2014	Miller		
8,695,830	B2		4/2014	Meyers et al.		
D707,124	S		6/2014	Blain et al.		
8,777,048	B2		7/2014	Choi et al.		
D712,720	S		9/2014	Seiders		
D712,721	S		9/2014	Seiders		
D712,722	S		9/2014	Seiders		
D712,723	S		9/2014	Seiders		
D714,125	S		9/2014	Seiders		
8,844,762	B2		9/2014	Chiou et al.		
D716,657	S		11/2014	Caneer		
8,905,252	B2		12/2014	Latham et al.		
8,910,819	B2		12/2014	Seiders		
8,939,305	B2		1/2015	Meyers et al.		
D722,474	S		2/2015	Seiders		
D722,475	S		2/2015	Seiders		
D725,966	S		4/2015	Boroski et al.		
D727,457	S		4/2015	Seiders		
D731,614	S		6/2015	Seiders		
D732,348	S		6/2015	Seiders et al.		
D732,349	S		6/2015	Seiders et al.		

(**) Term: **15 Years**

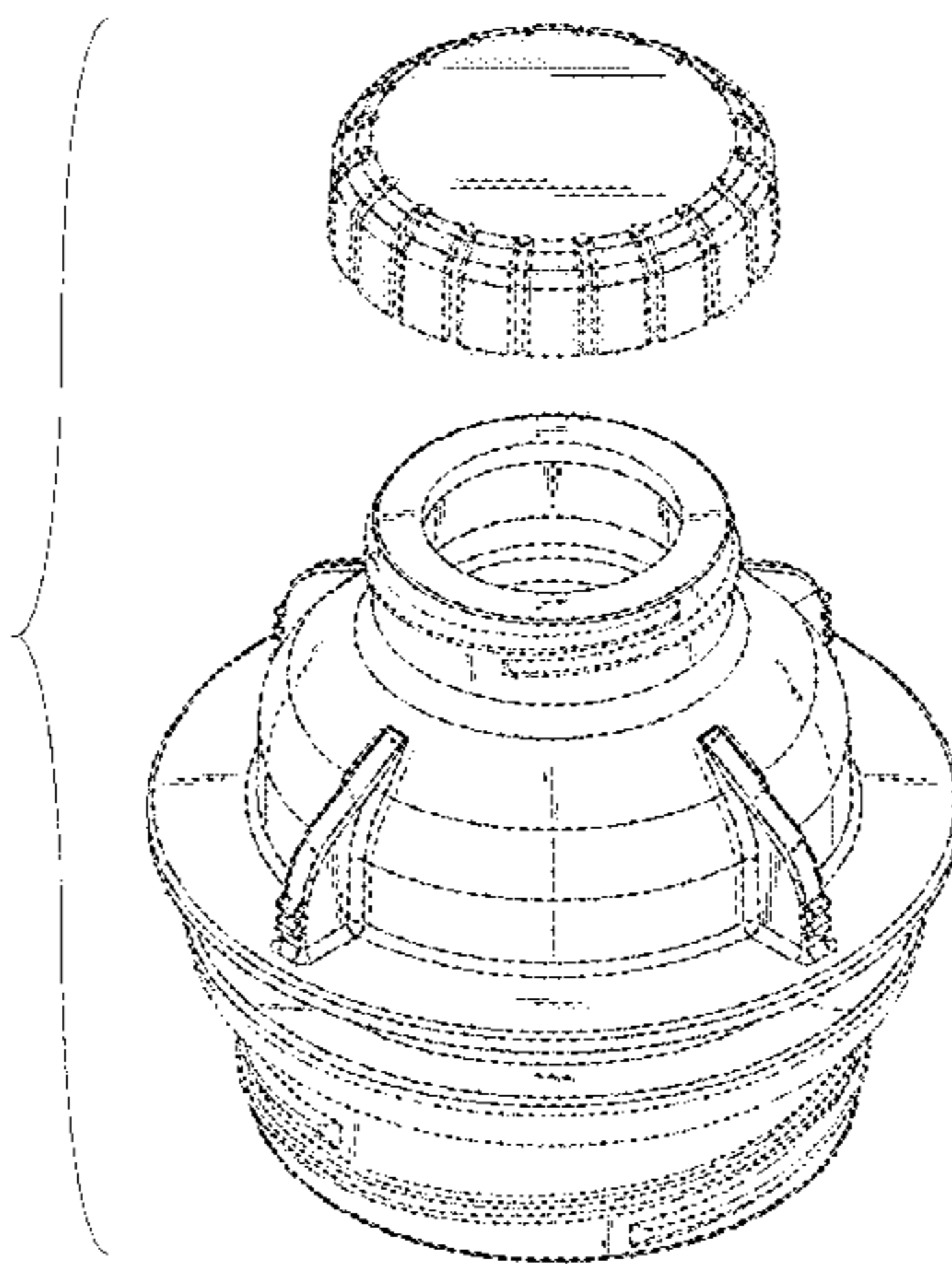
(21) Appl. No.: **29/603,419**

(22) Filed: **May 9, 2017**

(51) **LOC (11) Cl.** **31-00**

(52) **U.S. Cl.**
USPC **D7/391**

(58) **Field of Classification Search**
USPC D7/372, 376-386, 391, 392.1, 412-413, D7/507, 510, 513, 602, 608, 629, D7/665-666, 669, 679, 693-694; D9/436, 438, 443, 447, 503, 614
CPC A21C 1/02; A21C 1/04; A23N 1/00; A23N 1/02; A47G 19/2266; A47G 23/16; A47J 41/0083; A47J 43/04; A47J 43/25; A47J 43/27; A47J 43/042; A47J 43/044; A47J 43/046; A47J 43/075; A47J 43/0722; A47J 43/0727; B01F 3/00; B01F 3/0807; B01F 3/0853; B01F 13/0059; B01F 13/0064; B02C 1/08; B02C 2/04; B02C 4/42; B02C 4/142; B02C 4/143; B02C 4/423; B02C 13/1835; B28C 5/10; B28C



D732,350 S 6/2015 Seiders et al.
 D732,392 S 6/2015 Duran et al.
 D732,899 S 6/2015 Seiders et al.
 D736,622 S * 8/2015 Nishijima D9/447
 9,107,541 B2 8/2015 Bodum
 9,113,698 B2 8/2015 Blain et al.
 D739,174 S 9/2015 Elsaden et al.
 9,139,352 B2 9/2015 Seiders et al.
 D740,605 S 10/2015 Wodka et al.
 D742,684 S 11/2015 Hurley et al.
 9,187,232 B2 11/2015 Seiders
 D748,942 S 2/2016 Boroski et al.
 D751,338 S 3/2016 Seiders et al.
 D751,339 S 3/2016 Seiders et al.
 D751,340 S 3/2016 Seiders et al.
 D751,341 S 3/2016 Seiders et al.
 D752,347 S 3/2016 Seiders et al.
 D752,397 S 3/2016 Seiders et al.
 D754,483 S 4/2016 Elsaden et al.
 D754,486 S 4/2016 Ott
 9,351,597 B2 5/2016 Liu et al.
 D758,137 S 6/2016 Soltz et al.
 D759,485 S 6/2016 Boroski et al.
 D760,586 S 7/2016 Seiders et al.
 D761,619 S 7/2016 Seiders et al.
 D762,117 S 7/2016 Joseph et al.
 D762,418 S 8/2016 Sorensen et al.
 D764,787 S 8/2016 Montminy
 D766,652 S 9/2016 Joseph et al.
 D767,328 S 9/2016 Boroski et al.
 D768,437 S 10/2016 Lane
 D769,046 S 10/2016 Beckman et al.
 9,456,710 B2 10/2016 Blain et al.
 9,462,904 B2 10/2016 Coon et al.
 D770,222 S 11/2016 Boroski et al.
 D772,064 S 11/2016 Boroski et al.
 9,505,527 B1 11/2016 Campbell
 D774,359 S 12/2016 Boroski
 D774,363 S 12/2016 Seiders et al.
 D774,837 S 12/2016 Seiders et al.
 D777,508 S 1/2017 Goodwin et al.
 D779,285 S 2/2017 Seiders et al.
 D779,891 S 2/2017 Seiders et al.
 D779,892 S 2/2017 Seiders et al.
 D780,530 S 3/2017 Seiders et al.
 D780,531 S 3/2017 Seiders et al.
 D780,532 S 3/2017 Seiders et al.
 D780,533 S 3/2017 Seiders et al.
 D780,577 S 3/2017 Seiders et al.
 D781,145 S 3/2017 Seiders et al.
 D781,146 S 3/2017 Seiders et al.
 D781,662 S 3/2017 Seiders et al.
 D782,881 S 4/2017 Seiders et al.
 D783,367 S 4/2017 Seiders et al.
 D783,368 S 4/2017 Seiders et al.
 D784,775 S 4/2017 Seiders et al.
 D786,025 S 5/2017 Seiders et al.
 D787,893 S 5/2017 Seiders et al.
 D787,894 S 5/2017 Seiders et al.
 9,637,270 B2 5/2017 Campbell
 D788,544 S 6/2017 Seiders et al.
 D790,285 S 6/2017 Seiders et al.
 D790,920 S 7/2017 Goodwin et al.
 D791,549 S 7/2017 Goodwin et al.
 9,694,953 B2 7/2017 Meyers et al.
 D794,397 S 8/2017 Seiders et al.
 D795,019 S 8/2017 Seiders et al.
 D795,020 S 8/2017 Seiders et al.
 D795,646 S 8/2017 Sorensen et al.
 D798,105 S 9/2017 Stover et al.
 9,771,189 B2 * 9/2017 Miksovsky B65D 47/122
 D799,320 S 10/2017 Goodwin et al.
 D799,906 S 10/2017 Seiders et al.
 D799,907 S 10/2017 Seiders et al.
 D799,908 S 10/2017 Seiders et al.
 9,776,777 B2 10/2017 Gorbald
 9,782,028 B2 10/2017 Davies et al.
 D802,419 S 11/2017 Seiders et al.
 D802,994 S 11/2017 Seiders et al.

D803,619 S 11/2017 Seiders et al.
 D803,632 S 11/2017 Seiders et al.
 D803,684 S 11/2017 Seiders et al.
 D804,254 S 12/2017 Seiders et al.
 D804,255 S 12/2017 Seiders et al.
 D804,256 S 12/2017 Seiders et al.
 D805,852 S 12/2017 Seiders et al.
 D807,125 S 1/2018 Seiders et al.
 D807,126 S 1/2018 Seiders et al.
 2005/0046211 A1 3/2005 Nole et al.
 2006/0016819 A1 * 1/2006 Paslawski B65D 1/0292
 220/666
 2008/0087624 A1 * 4/2008 Buckley A47G 23/16
 215/230
 2011/0147421 A1 * 6/2011 Bonet Pedrol B65D 75/5883
 222/566
 2011/0278216 A1 * 11/2011 Hull A47G 19/2266
 210/236
 2013/0043263 A1 2/2013 Yang
 2013/0240549 A1 9/2013 Beggins et al.
 2014/0061208 A1 3/2014 Boyd
 2016/0153690 A1 6/2016 Patsis et al.
 2016/0270602 A1 * 9/2016 Casey A47J 43/27
 2016/0318693 A1 11/2016 Hein et al.
 2017/0121073 A1 5/2017 Seiders et al.

FOREIGN PATENT DOCUMENTS

EP 2555658 A1 2/2013

OTHER PUBLICATIONS

US D775,903, 01/2017, Seiders et al. (withdrawn)
 Brittany A. Roston, Slash Gear, "Venture Coolers are like the camping version of OtterBox phone cases," May 9, 2017, downloaded from <https://www.slashgear.com/venture-coolers-are-like-the-camping-version-of-otterbox-phone-cases-09484519/>, 5 pages.
 Genuine Thermos Brand, Mugs & Tumblers, downloaded from http://www.thermos.com/product_catalog.aspx?CatCode=MUGS May 8, 2017, 5 pages.
 Kevin Curry, Gear & Grit, "OtterBox Just Beat Yeti at Its own Game with Their Venture Line of Coolers," downloaded from <https://gearandgrit.com/otterbox-venture-cooler/> May 9, 2017, 5 pages.
 Otter Products, Inc, OtterBox Outdoor Venture Coolers and Elevation Tumblers, downloaded from <http://www.otterbox.com/en-us/outdoor-coming-soon-html> May 9, 2017, 2 pages.
 Otterbox, PR Newswire "Unrule the Outdoors with New OtterBox Venture Coolers", downloaded from <http://www.ornewswire.com/news-releases/unrule-the-outdoors-with-new-otterbox-venture-coolers-300453988.html> May 9, 2017, 3 pages.
 Pelican Consumer, Travel Tumbler Series Drinkware, downloaded from <http://www.pelican.com/us/en/products/drinkware> May 8, 2017, 2 pages.
 Tervis Official Store, Shaker Top, downloaded from <http://www.tervis.com/shaker-top> May 8, 2017, 4 pages.
 Tervis Official Store, Stainless Steel Tumblers, downloaded from <http://www.tervis.com/stainless-steel> May 8, 2017, 4 pages.
 Tervis Official Store, Travel Lids, downloaded from <http://www.tervis.com/travel-lids> May 8, 2017, 11 pages.
 Yeti Coolers, Rambler Drinkware Series, downloaded from <http://yeti.com/rambler> May 8, 2017, 6 pages.
 Yeti Coolers, Yeti Accessories & Parts, downloaded May 8, 2017 from <http://yeti.com/accessories>, 5 pages.

* cited by examiner

Primary Examiner — Ricky Pham

(57)

CLAIM

The ornamental design for a lid for a beverage container, as shown and described.

DESCRIPTION

FIG. 1 is a front, top perspective view of a lid for a beverage container showing our new design;

FIG. 2 is an exploded front, top perspective view thereof;
FIG. 3 is a rear, bottom perspective view thereof;
FIG. 4 is a front view thereof;
FIG. 5 is a rear view thereof;
FIG. 6 is a left view thereof;
FIG. 7 is a right view thereof; and,
FIG. 8 is a top view thereof.

No claim is made to the bottom view, which is omitted from the drawings.

The dash-dash broken lines throughout the drawing figures depict portions of the lid for a beverage container that form no part of the claimed design. The broken lines and unshaded surfaces bounded by broken lines form no part of the claimed design.

1 Claim, 8 Drawing Sheets

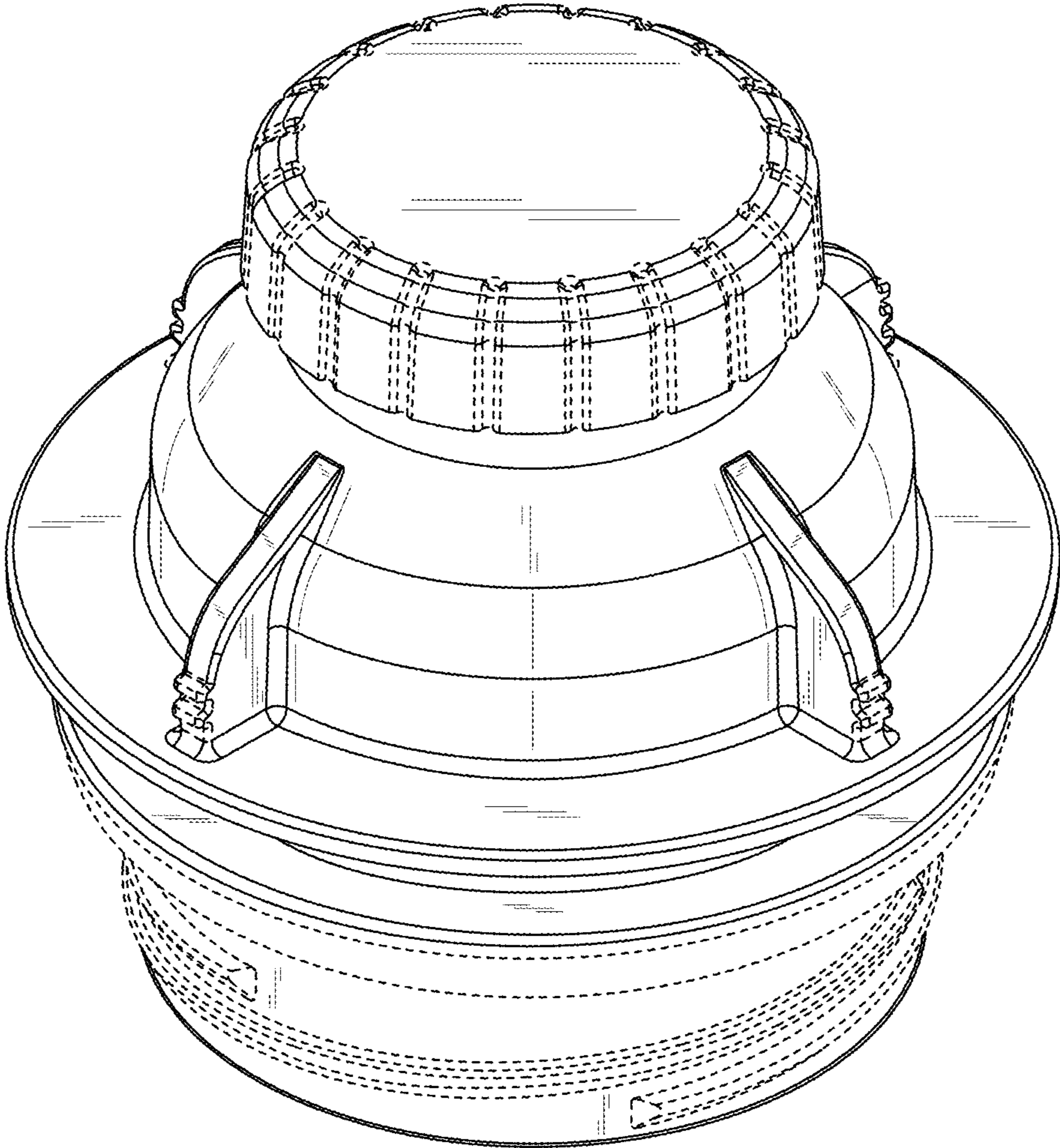


FIG. 1

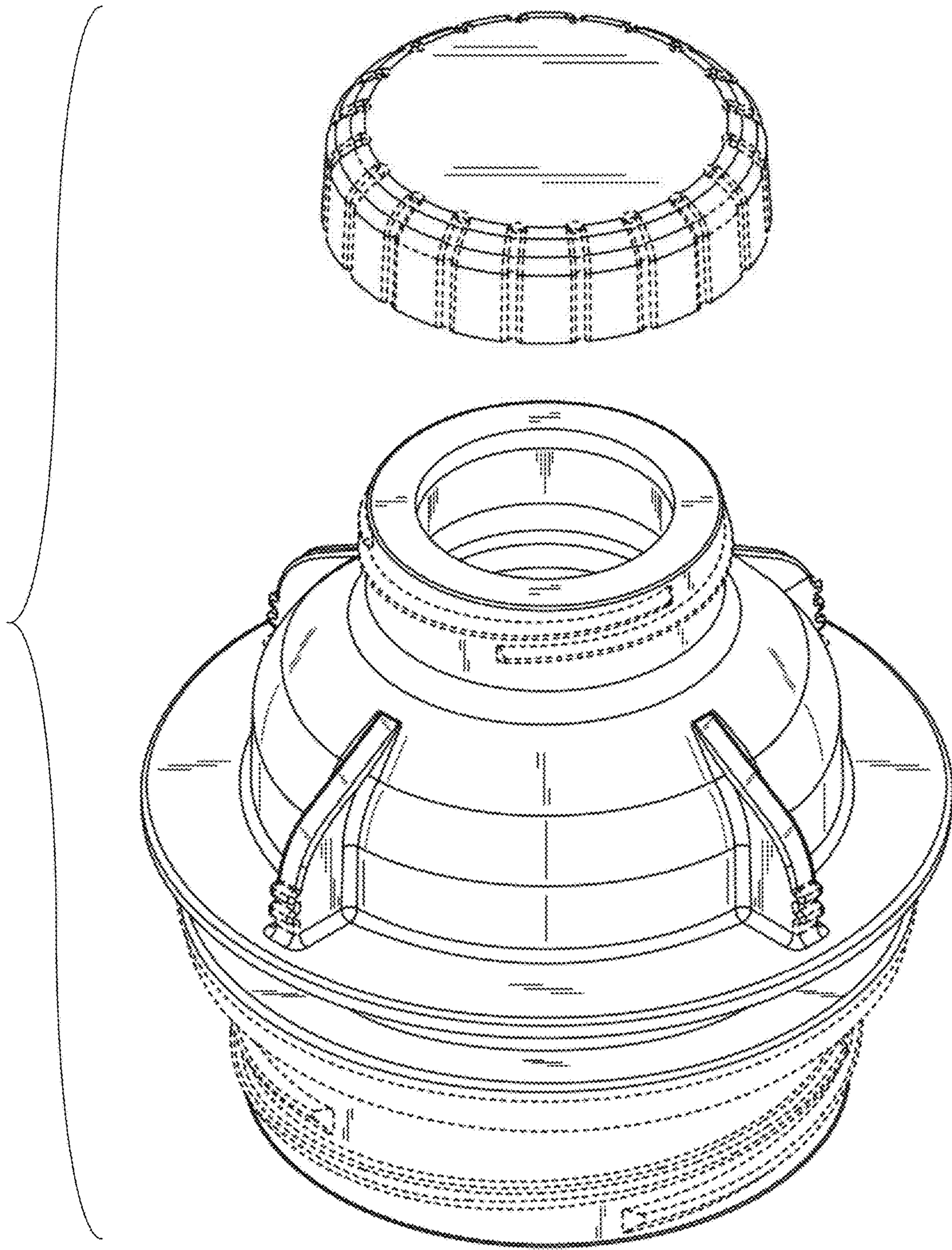


FIG. 2

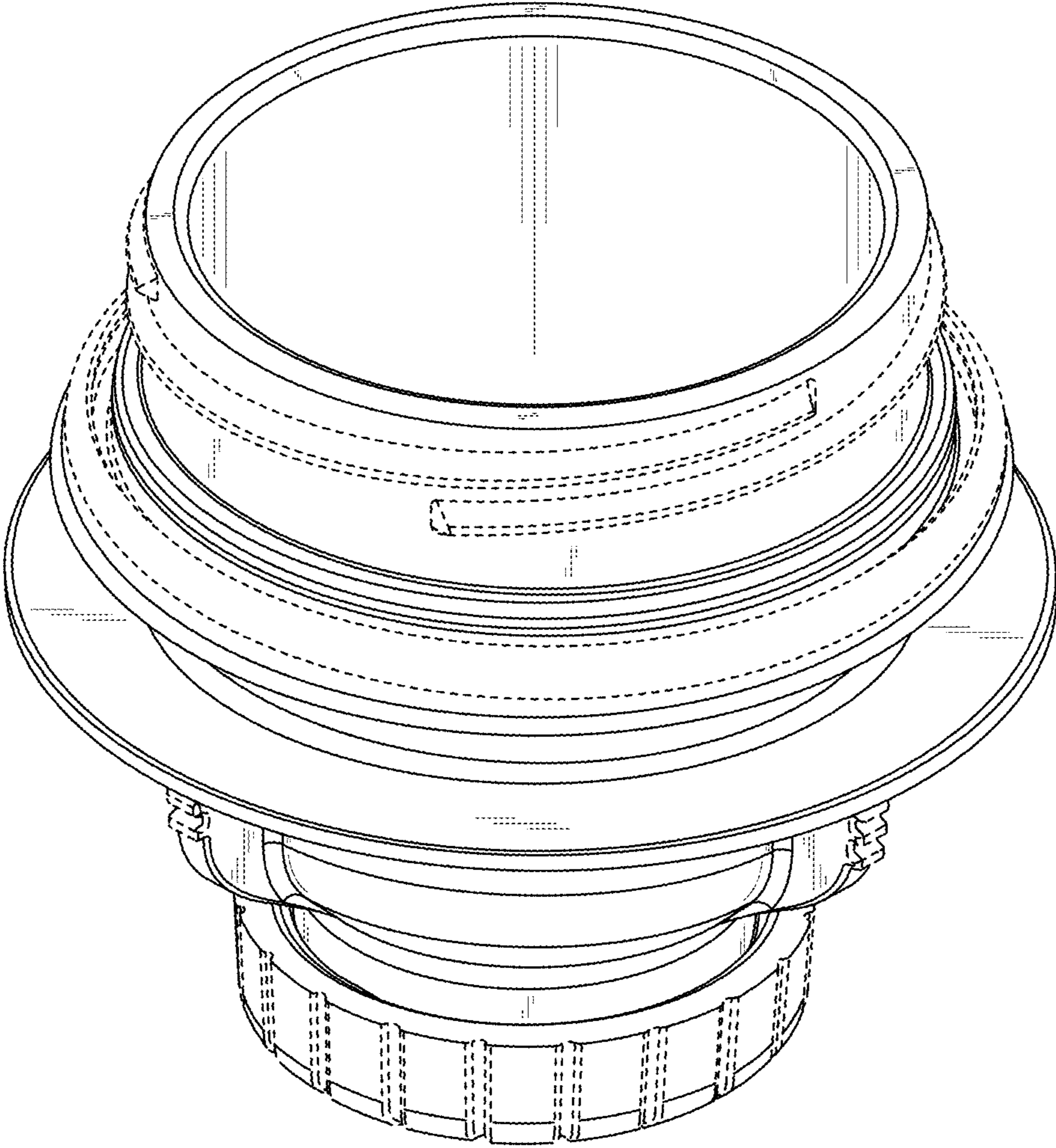


FIG. 3

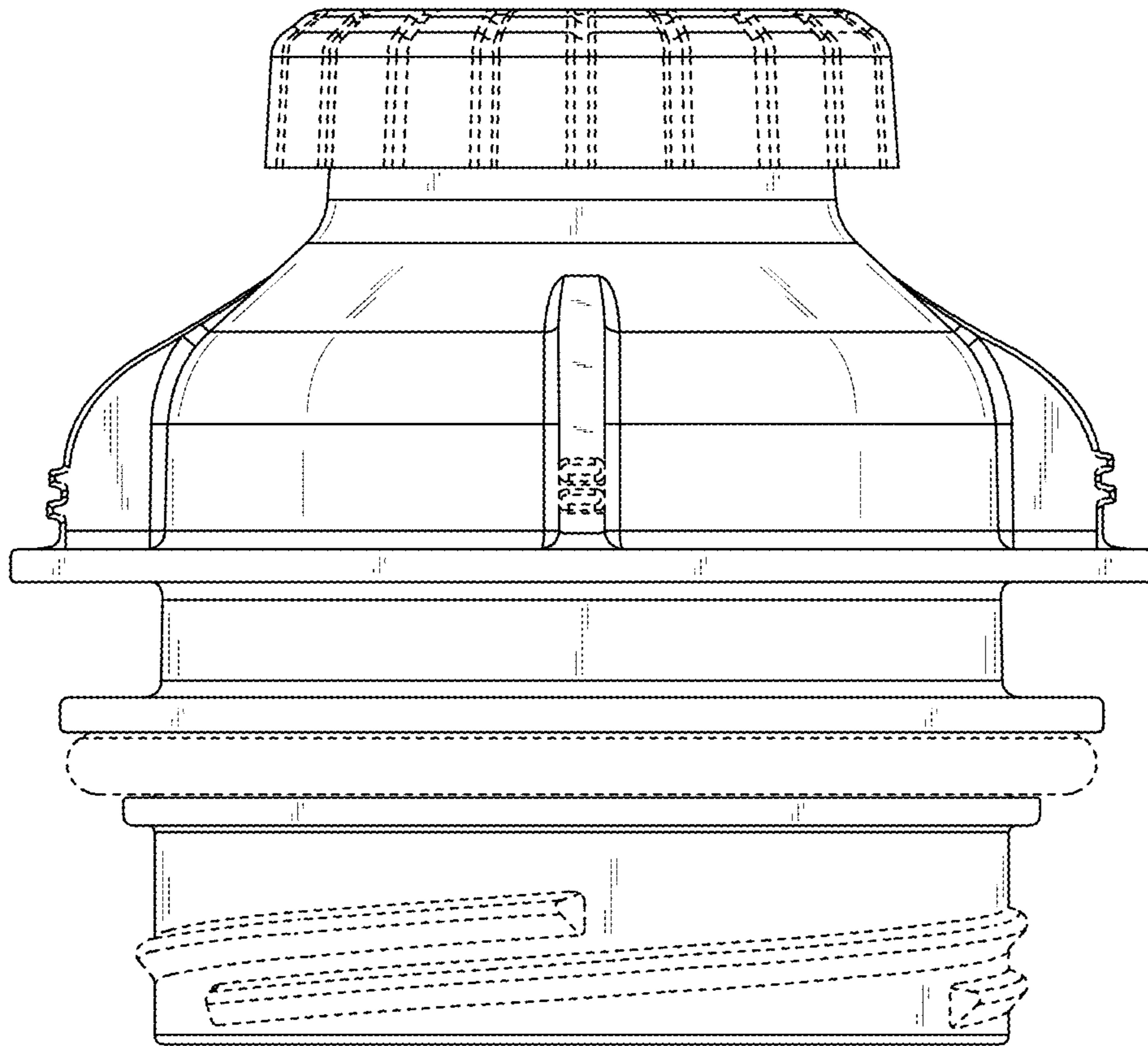


FIG. 4

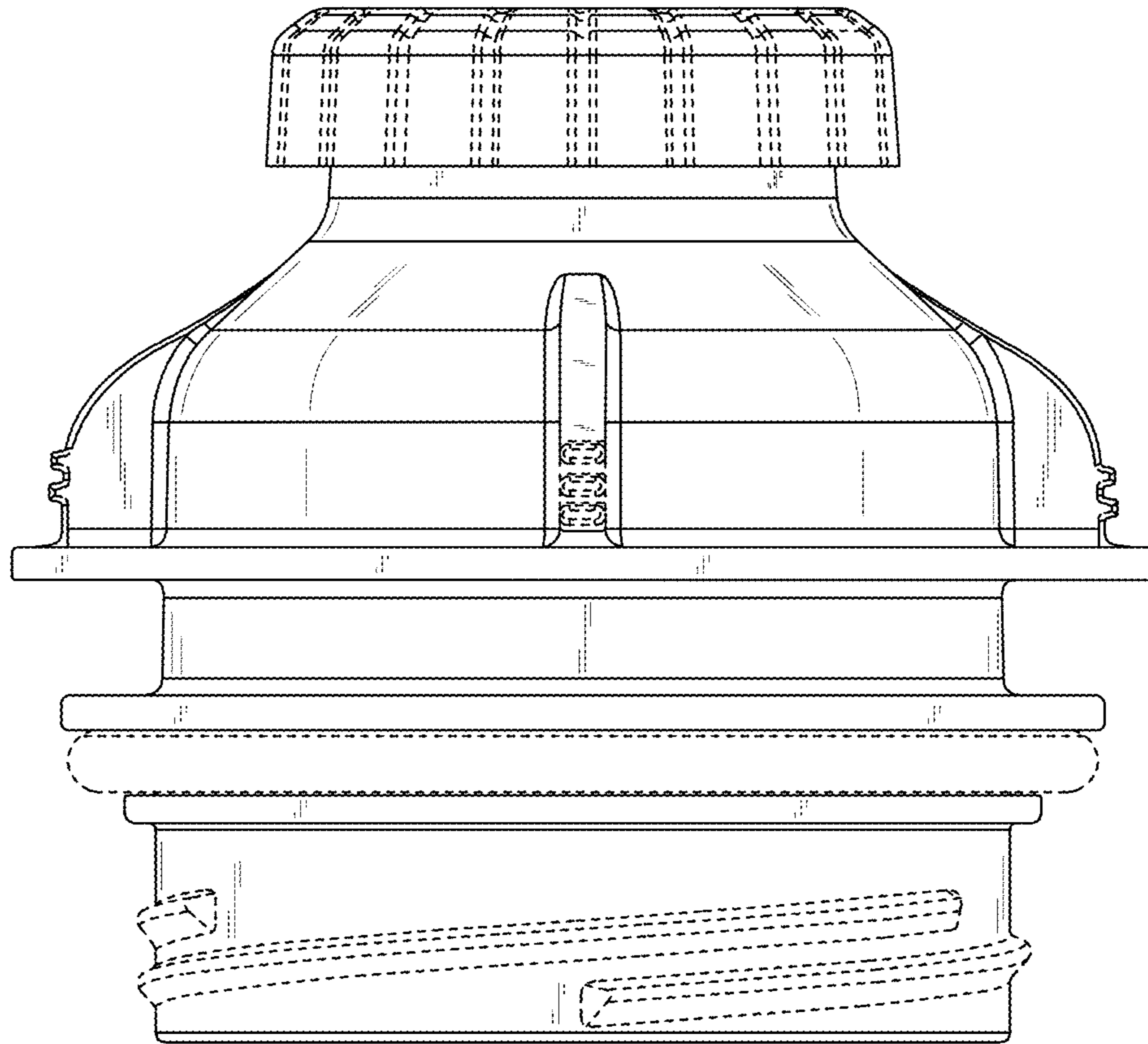


FIG. 5

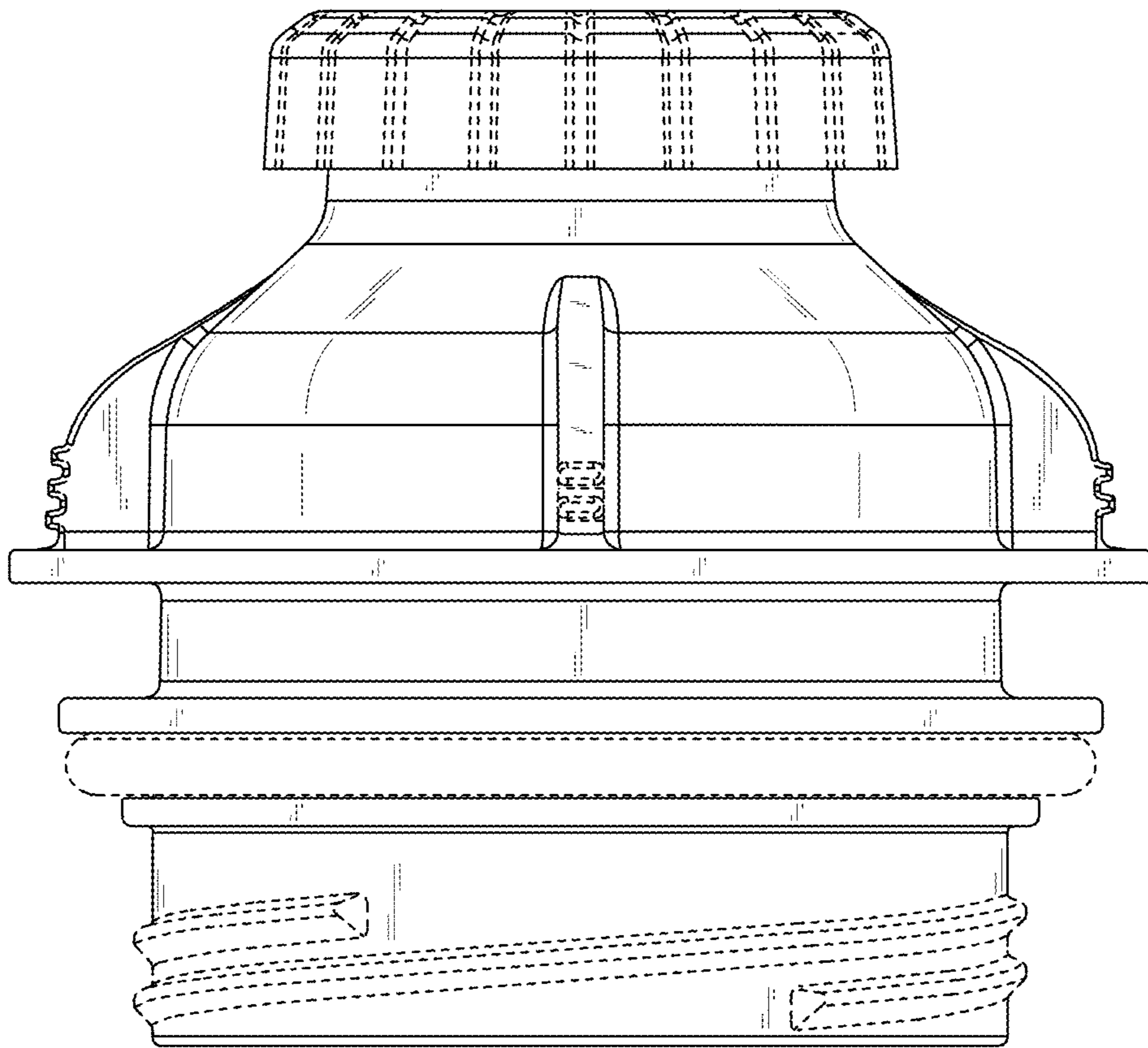


FIG. 6

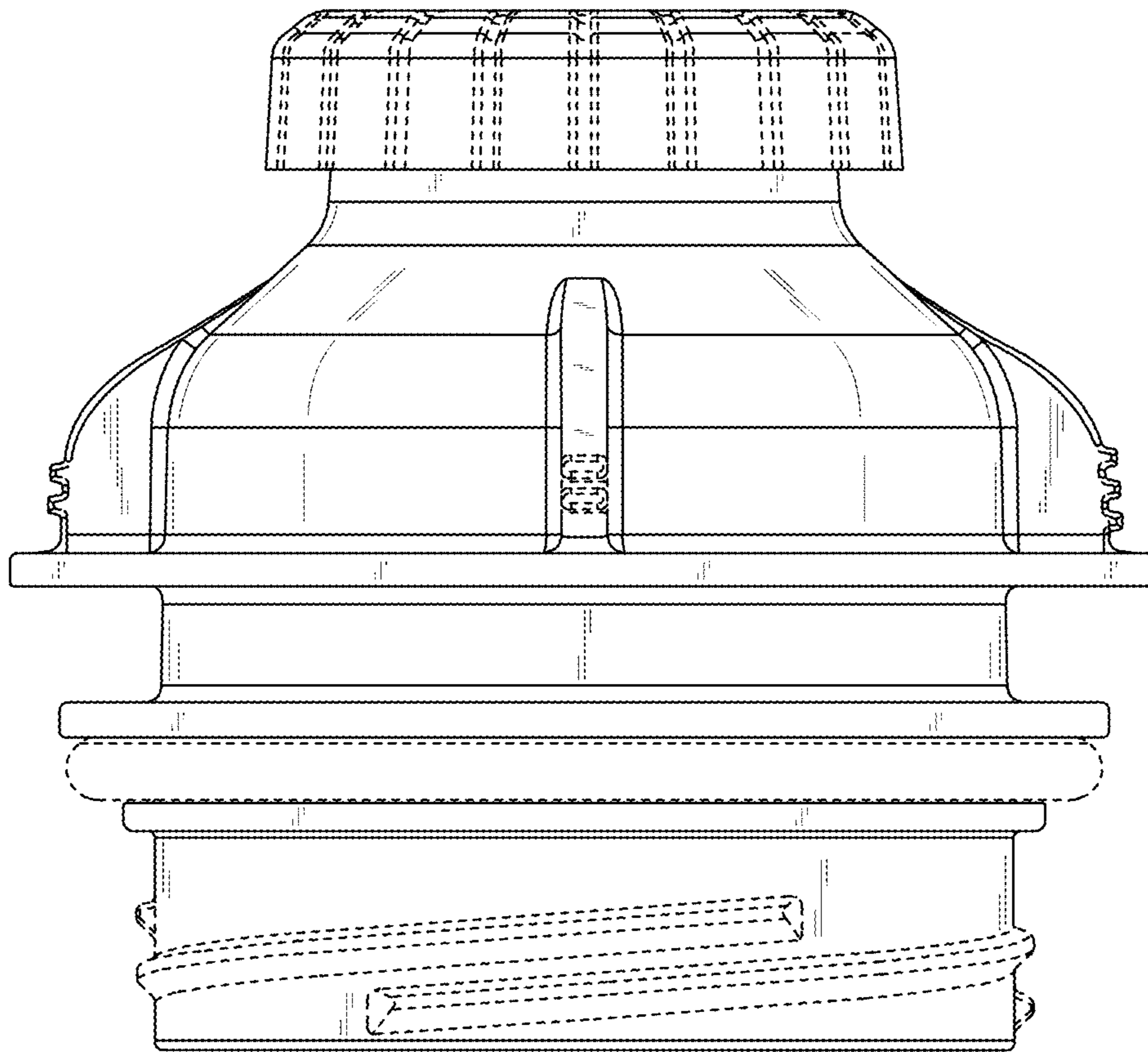


FIG. 7

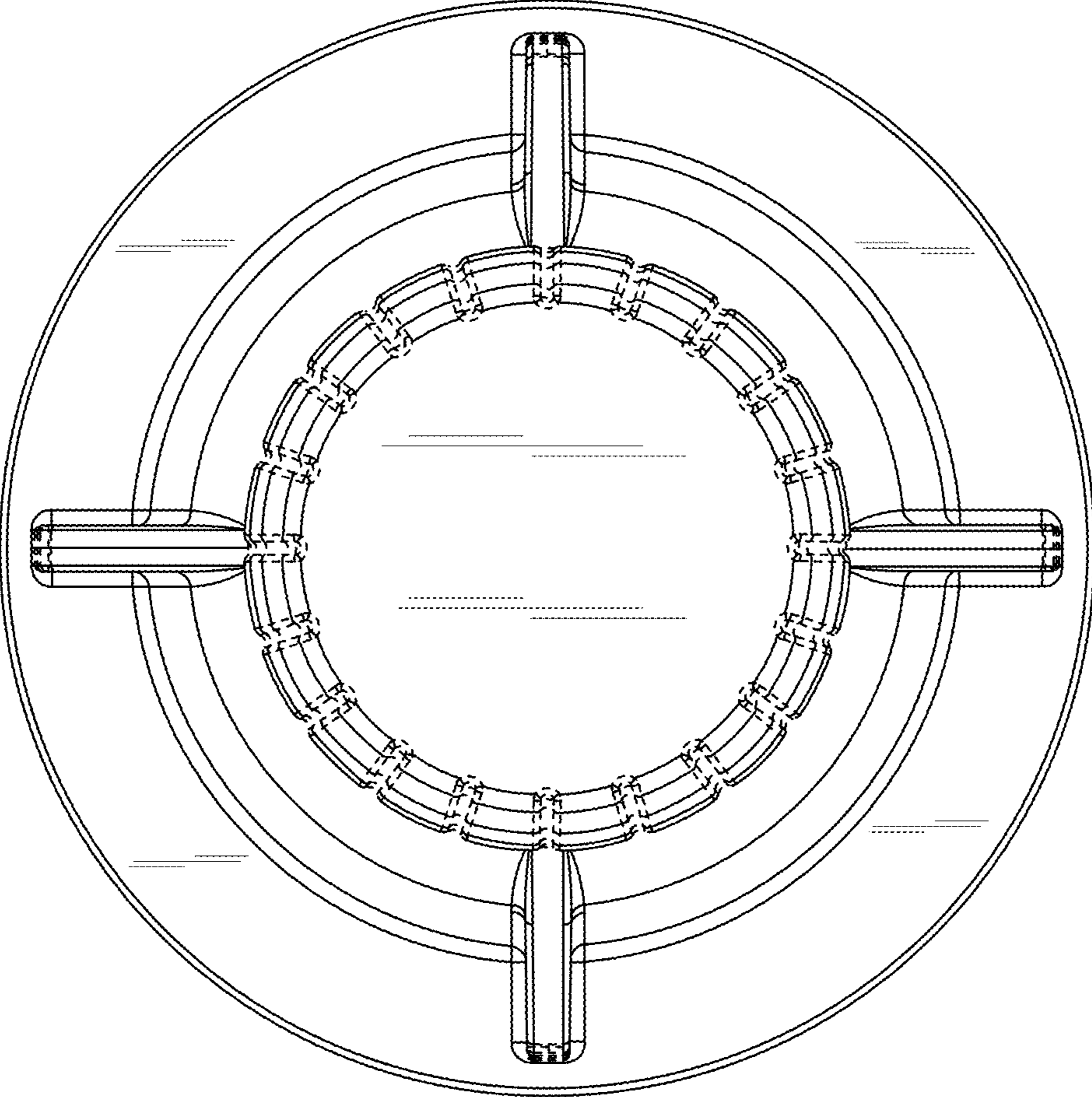


FIG. 8