



US00D814853S

(12) **United States Design Patent**  
**Melanson et al.**

(10) **Patent No.:** **US D814,853 S**  
(45) **Date of Patent:** **\*\* Apr. 10, 2018**

(54) **LID FOR A BEVERAGE CONTAINER**

(71) Applicant: **OTTER PRODUCTS, LLC**, Fort Collins, CO (US)

(72) Inventors: **Christopher J. Melanson**, Fort Collins, CO (US); **Shanshan Li**, Fort Collins, CO (US); **Ross V. Bulkley**, Loveland, CO (US); **Alex S. Breeden**, Fort Collins, CO (US)

(73) Assignee: **Otter Products, LLC**, Fort Collins, CO (US)

(\*\*) Term: **15 Years**

(21) Appl. No.: **29/603,418**

(22) Filed: **May 9, 2017**

(51) **LOC (11) Cl.** ..... **31-00**

(52) **U.S. Cl.**  
USPC ..... **D7/391; D7/378; D7/412**

(58) **Field of Classification Search**  
USPC ..... D7/372, 376-386, 391, 392.1, 412-413, D7/507, 510, 513, 602, 608, 629, D7/665-666, 669, 679, 693-694; D9/436, 443, 503, 614  
CPC .... A21C 1/02; A21C 1/04; A23N 1/00; A23N 1/02; A47J 41/0083; A47J 43/04; A47J 43/25; A47J 43/27; A47J 43/042; A47J 43/044; A47J 43/046; A47J 43/075; A47J 43/0722; A47J 43/0727; B01F 3/00; B01F 3/0807; B01F 3/0853; B01F 13/0059; B01F 13/0064; B02C 1/08; B02C 2/04; B02C 4/42; B02C 4/142; B02C 4/143; B02C 4/423; B02C 13/1835; B28C 5/10; B28C 5/12; B28C 5/14; B28C 5/16  
See application file for complete search history.

(56) **References Cited**

**U.S. PATENT DOCUMENTS**

2,957,596 A \* 10/1960 Rehborg ..... A47J 41/0083  
215/12.1  
D321,628 S \* 11/1991 Kobayashi ..... D7/608

D371,304 S \* 7/1996 Onneweer ..... D7/511  
D429,118 S \* 8/2000 Hurlbut ..... D7/608  
D450,982 S \* 11/2001 Gaze ..... D7/608  
6,324,966 B1 12/2001 Joergensen  
D455,052 S 4/2002 Gullickson et al.  
D455,612 S 4/2002 Gullickson et al.

(Continued)

**FOREIGN PATENT DOCUMENTS**

EP 2555658 A1 2/2013

**OTHER PUBLICATIONS**

US D775,903, 01/2017, Seiders et al. (withdrawn)  
(Continued)

*Primary Examiner* — Ricky Pham

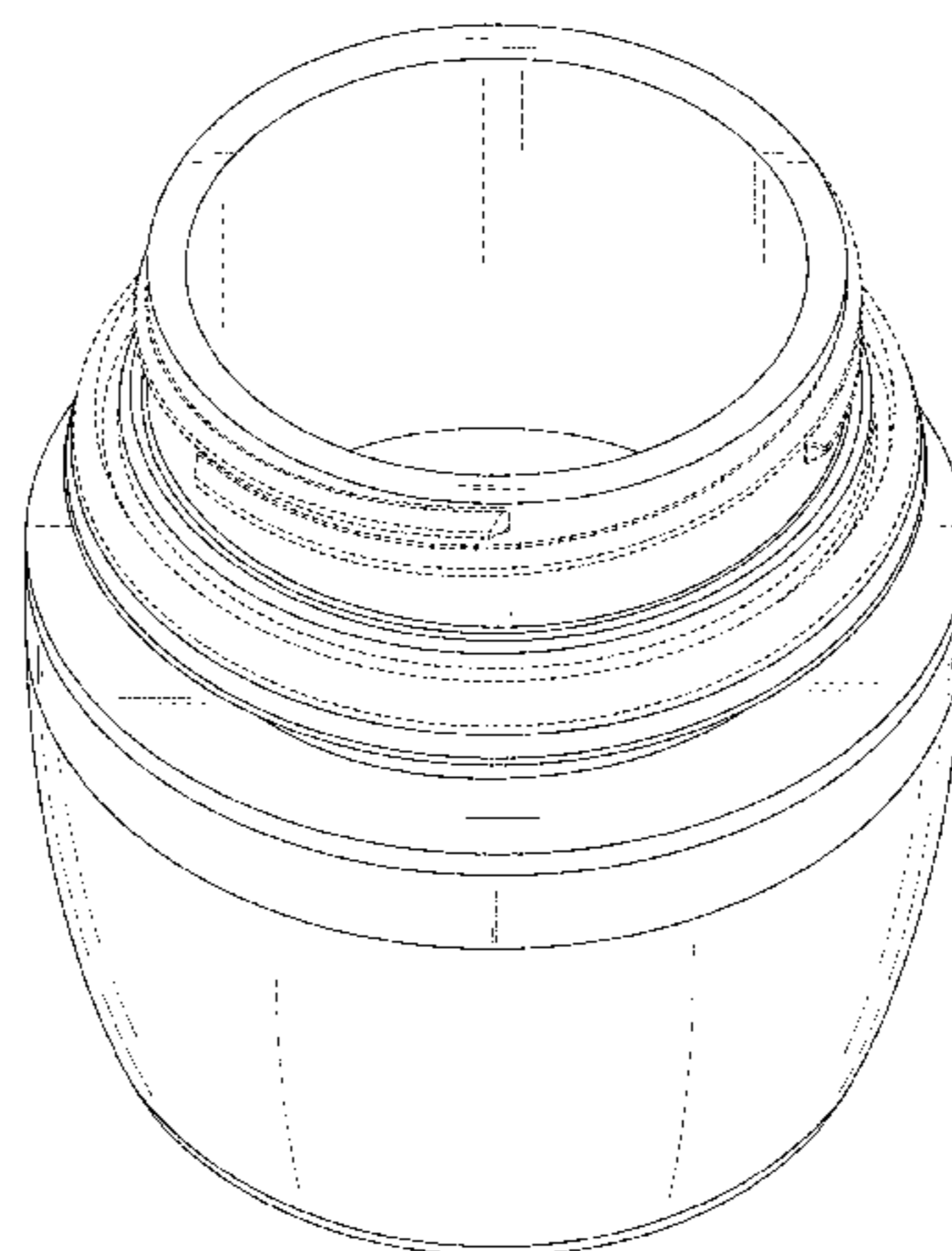
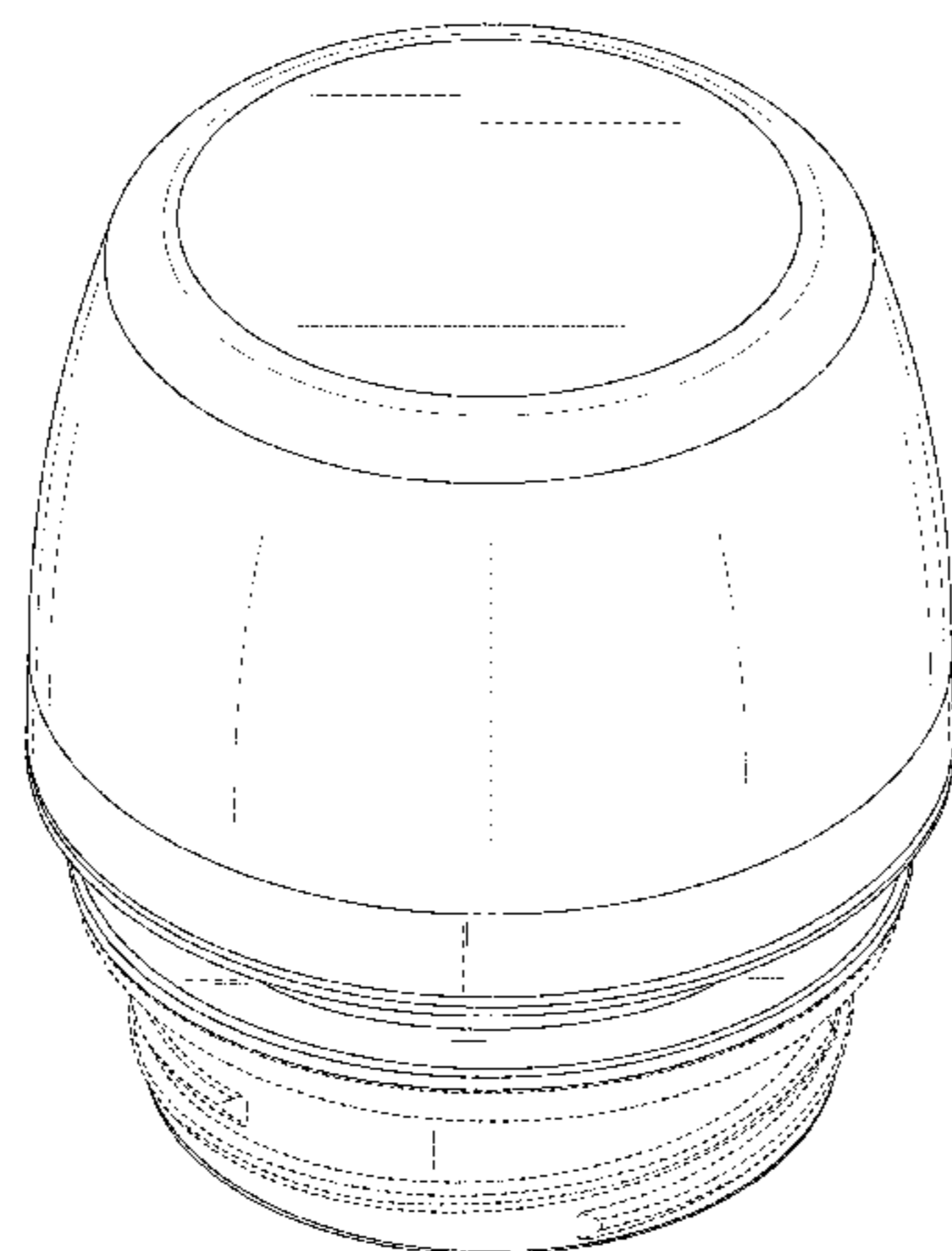
(57) **CLAIM**

The ornamental design for a lid for a beverage container, as shown and described.

**DESCRIPTION**

FIG. 1 is a front, top perspective view of a lid for a beverage container showing our new design;  
FIG. 2 is a rear, bottom perspective view thereof;  
FIG. 3 is a front view thereof;  
FIG. 4 is a rear view thereof;  
FIG. 5 is a left view thereof;  
FIG. 6 is a right view thereof; and,  
FIG. 7 is a top view thereof.  
No claim is made to the bottom view, which is omitted from the drawings.  
The dash-dash broken lines throughout the drawing figures depict portions of the lid for a beverage container that form no part of the claimed design. The broken lines and unshaded surfaces bounded by broken lines form no part of the claimed design.

**1 Claim, 7 Drawing Sheets**



(56)

## References Cited

## U.S. PATENT DOCUMENTS

- |              |         |                 |        |                 |         |                 |
|--------------|---------|-----------------|--------|-----------------|---------|-----------------|
| D476,859 S * | 7/2003  | Short           | D7/608 | 9,456,710 B2    | 10/2016 | Blain et al.    |
| 6,626,326 B2 | 9/2003  | Murakami        |        | 9,462,904 B2    | 10/2016 | Coon et al.     |
| 7,011,227 B2 | 3/2006  | Ward et al.     |        | D770,222 S      | 11/2016 | Boroski et al.  |
| D533,032 S * | 12/2006 | Liu             | D7/608 | D772,064 S      | 11/2016 | Boroski et al.  |
| D547,607 S   | 7/2007  | Forsman         |        | 9,505,527 B1    | 11/2016 | Campbell        |
| D564,841 S   | 3/2008  | Clemens et al.  |        | D774,359 S      | 12/2016 | Boroski         |
| D572,981 S * | 7/2008  | Carreno         | D7/510 | D774,363 S      | 12/2016 | Seiders et al.  |
| D587,533 S * | 3/2009  | Carreno         | D7/608 | D774,837 S      | 12/2016 | Seiders et al.  |
| D592,906 S   | 5/2009  | Allen et al.    |        | D777,508 S      | 1/2017  | Goodwin et al.  |
| 7,533,783 B2 | 5/2009  | Choi et al.     |        | D779,285 S      | 2/2017  | Seiders et al.  |
| D623,480 S * | 9/2010  | Moran           | D7/608 | D779,891 S      | 2/2017  | Seiders et al.  |
| D623,481 S * | 9/2010  | Moran           | D7/608 | D779,892 S      | 2/2017  | Seiders et al.  |
| D626,837 S   | 11/2010 | Meyers et al.   |        | D780,530 S      | 3/2017  | Seiders et al.  |
| D628,018 S * | 11/2010 | Gilbert         | D7/608 | D780,531 S      | 3/2017  | Seiders et al.  |
| D656,360 S   | 3/2012  | Miller et al.   |        | D780,532 S      | 3/2017  | Seiders et al.  |
| 8,191,727 B2 | 6/2012  | Davies et al.   |        | D780,533 S      | 3/2017  | Seiders et al.  |
| 8,251,247 B1 | 8/2012  | Breckner        |        | D780,577 S      | 3/2017  | Seiders et al.  |
| D682,034 S   | 5/2013  | El-Saden et al. |        | D781,145 S      | 3/2017  | Seiders et al.  |
| 8,469,226 B2 | 6/2013  | Davies et al.   |        | D781,146 S      | 3/2017  | Seiders et al.  |
| 8,602,238 B2 | 12/2013 | El-Saden et al. |        | D781,662 S      | 3/2017  | Seiders et al.  |
| 8,622,237 B2 | 1/2014  | Choi et al.     |        | D782,881 S      | 4/2017  | Seiders et al.  |
| D700,012 S   | 2/2014  | Hurley et al.   |        | D783,367 S      | 4/2017  | Seiders et al.  |
| D700,802 S   | 3/2014  | Miller          |        | D783,368 S      | 4/2017  | Seiders et al.  |
| D702,092 S * | 4/2014  | Mettler         | D7/608 | D784,775 S      | 4/2017  | Seiders et al.  |
| 8,695,830 B2 | 4/2014  | Meyers et al.   |        | D786,025 S      | 5/2017  | Seiders et al.  |
| D707,124 S   | 6/2014  | Blain et al.    |        | D787,893 S      | 5/2017  | Seiders et al.  |
| 8,777,048 B2 | 7/2014  | Choi et al.     |        | D787,894 S      | 5/2017  | Seiders et al.  |
| D712,720 S   | 9/2014  | Seiders         |        | 9,637,270 B2    | 5/2017  | Campbell        |
| D712,721 S   | 9/2014  | Seiders         |        | D788,544 S      | 6/2017  | Seiders et al.  |
| D712,722 S   | 9/2014  | Seiders         |        | D790,285 S      | 6/2017  | Seiders et al.  |
| D712,723 S   | 9/2014  | Seiders         |        | D790,920 S      | 7/2017  | Goodwin et al.  |
| D714,125 S   | 9/2014  | Seiders         |        | D791,549 S      | 7/2017  | Goodwin et al.  |
| 8,844,762 B2 | 9/2014  | Chiou et al.    |        | 9,694,953 B2    | 7/2017  | Meyers et al.   |
| D716,657 S   | 11/2014 | Caneer          |        | D794,397 S      | 8/2017  | Seiders et al.  |
| 8,905,252 B2 | 12/2014 | Latham et al.   |        | D795,019 S      | 8/2017  | Seiders et al.  |
| 8,910,819 B2 | 12/2014 | Seiders         |        | D795,020 S      | 8/2017  | Seiders et al.  |
| 8,939,305 B2 | 1/2015  | Meyers et al.   |        | D795,646 S      | 8/2017  | Sorensen et al. |
| D722,474 S   | 2/2015  | Seiders         |        | D798,105 S      | 9/2017  | Stover et al.   |
| D722,475 S   | 2/2015  | Seiders         |        | D799,320 S      | 10/2017 | Goodwin et al.  |
| D725,966 S   | 4/2015  | Boroski et al.  |        | D799,906 S      | 10/2017 | Seiders et al.  |
| D727,457 S   | 4/2015  | Seiders         |        | D799,907 S      | 10/2017 | Seiders et al.  |
| D731,614 S   | 6/2015  | Seiders         |        | D799,908 S      | 10/2017 | Seiders et al.  |
| D732,348 S   | 6/2015  | Seiders et al.  |        | 9,776,777 B2    | 10/2017 | Gorbald         |
| D732,349 S   | 6/2015  | Seiders et al.  |        | 9,782,028 B2    | 10/2017 | Davies et al.   |
| D732,350 S   | 6/2015  | Seiders et al.  |        | D802,419 S      | 11/2017 | Seiders et al.  |
| D732,392 S   | 6/2015  | Duran et al.    |        | D802,994 S      | 11/2017 | Seiders et al.  |
| D732,899 S   | 6/2015  | Seiders et al.  |        | D803,619 S      | 11/2017 | Seiders et al.  |
| 9,107,541 B2 | 8/2015  | Bodum           |        | D803,632 S      | 11/2017 | Seiders et al.  |
| 9,113,698 B2 | 8/2015  | Blain et al.    |        | D803,684 S      | 11/2017 | Seiders et al.  |
| D739,174 S   | 9/2015  | Elsaden et al.  |        | D804,254 S      | 12/2017 | Seiders et al.  |
| 9,139,352 B2 | 9/2015  | Seiders et al.  |        | D804,255 S      | 12/2017 | Seiders et al.  |
| D740,605 S   | 10/2015 | Wodka et al.    |        | D804,256 S      | 12/2017 | Seiders et al.  |
| D742,684 S   | 11/2015 | Hurley et al.   |        | D805,852 S      | 12/2017 | Seiders et al.  |
| 9,187,232 B2 | 11/2015 | Seiders         |        | D807,125 S      | 1/2018  | Seiders et al.  |
| D748,942 S   | 2/2016  | Boroski et al.  |        | D807,126 S      | 1/2018  | Seiders et al.  |
| D751,338 S   | 3/2016  | Seiders et al.  |        | 2005/0046211 A1 | 3/2005  | Nole et al.     |
| D751,339 S   | 3/2016  | Seiders et al.  |        | 2013/0043263 A1 | 2/2013  | Yang            |
| D751,340 S   | 3/2016  | Seiders et al.  |        | 2013/0240549 A1 | 9/2013  | Beggins et al.  |
| D751,341 S   | 3/2016  | Seiders et al.  |        | 2014/0061208 A1 | 3/2014  | Boyd            |
| D752,347 S   | 3/2016  | Seiders et al.  |        | 2016/0153690 A1 | 6/2016  | Patsis et al.   |
| D752,397 S   | 3/2016  | Seiders et al.  |        | 2016/0318693 A1 | 11/2016 | Hein et al.     |
| D754,483 S   | 4/2016  | Elsaden et al.  |        | 2017/0121073 A1 | 5/2017  | Seiders et al.  |
| D754,486 S   | 4/2016  | Ott             |        |                 |         |                 |
| 9,351,597 B2 | 5/2016  | Liu et al.      |        |                 |         |                 |
| D758,137 S   | 6/2016  | Soltz et al.    |        |                 |         |                 |
| D759,485 S   | 6/2016  | Boroski et al.  |        |                 |         |                 |
| D760,586 S   | 7/2016  | Seiders et al.  |        |                 |         |                 |
| D761,619 S   | 7/2016  | Seiders et al.  |        |                 |         |                 |
| D762,117 S   | 7/2016  | Joseph et al.   |        |                 |         |                 |
| D762,418 S   | 8/2016  | Sorensen et al. |        |                 |         |                 |
| D764,787 S   | 8/2016  | Montminy        |        |                 |         |                 |
| D766,652 S   | 9/2016  | Joseph et al.   |        |                 |         |                 |
| D767,328 S   | 9/2016  | Boroski et al.  |        |                 |         |                 |
| D768,437 S   | 10/2016 | Lane            |        |                 |         |                 |
| D769,046 S   | 10/2016 | Beckman et al.  |        |                 |         |                 |

## OTHER PUBLICATIONS

- Brittany A. Roston, Slash Gear, "Venture Coolers are like the camping version of OtterBox phone cases," May 9, 2017, downloaded from <https://www.slashgear.com/venture-coolers-are-like-the-camping-version-of-otterbox-phone-cases-09484519/>, 5 pages.
- Genuine Thermos Brand, Mugs & Tumblers, downloaded from [http://www.thermos.com/product\\_catalog.aspx?CatCode=MUGS](http://www.thermos.com/product_catalog.aspx?CatCode=MUGS) May 8, 2017, 5 pages.
- Kevin Curry, Gear & Grit, "OtterBox Just Beat Yeti at Its own Game with Their Venture Line of Coolers," downloaded from <https://gearandgrit.com/otterbox-venture-cooler/> May 9, 2017, 5 pages.
- Otter Products, Inc, OtterBox Outdoor Venture Coolers and Elevation Tumblers, downloaded from <http://www.otterbox.com/en-us/outdoor-coming-soon-html> May 9, 2017, 2 pages.

(56)

**References Cited**

OTHER PUBLICATIONS

Otterbox, PR Newswire “Unrule the Outdoors with New OtterBox Venture Coolers”, downloaded from <http://www.prnewswire.com/news-releases/unrule-the-outdoors-with-new-otterbox-venture-coolers-300453988.html> May 9, 2017, 3 pages.

Pelican Consumer, Traveler Tumbler Series Drinkware, downloaded from <http://www.pelican.com/us/en/products/drinkware> May 8, 2017, 2 pages.

Tervis Official Store, Shaker Top, downloaded from <http://www.tervis.com/shaker-top> May 8, 2017, 4 pages.

Tervis Official Store, Stainless Steel Tumblers, downloaded from <http://www.tervis.com/stainless-steel> May 8, 2017, 4 pages.

Tervis Official Store, Travel Lids, downloaded from <http://www.tervis.com/travel-lids> May 8, 2017, 11 pages.

Yeti Coolers, Rambler Drinkware Series, downloaded from <http://yeti.com/rambler> May 8, 2017, 6 pages.

Yeti Coolers, Yeti Accessories & Parts, downloaded May 8, 2017 from <http://yeti.com/accessories>, 5 pages.

\* cited by examiner

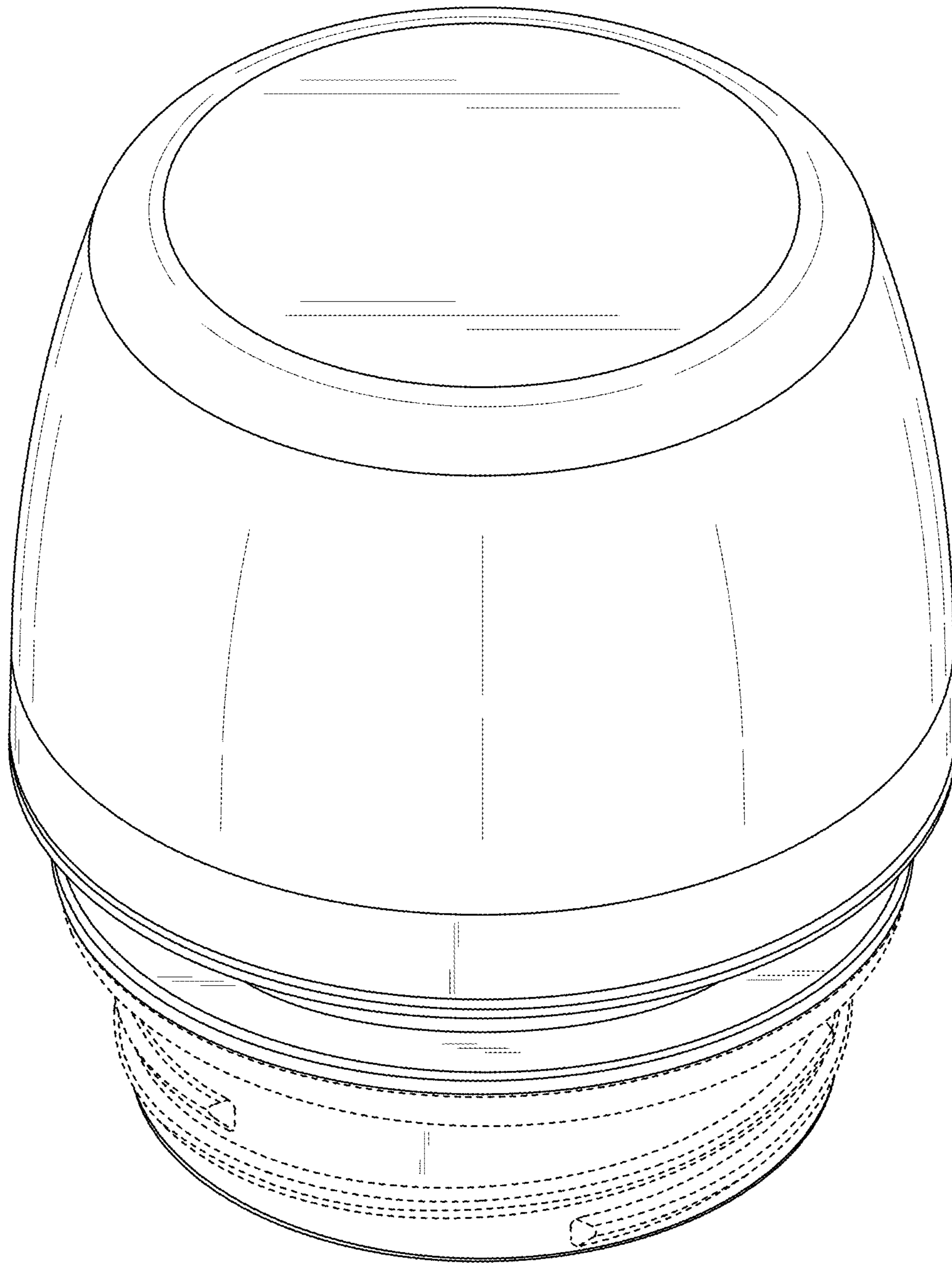


FIG. 1

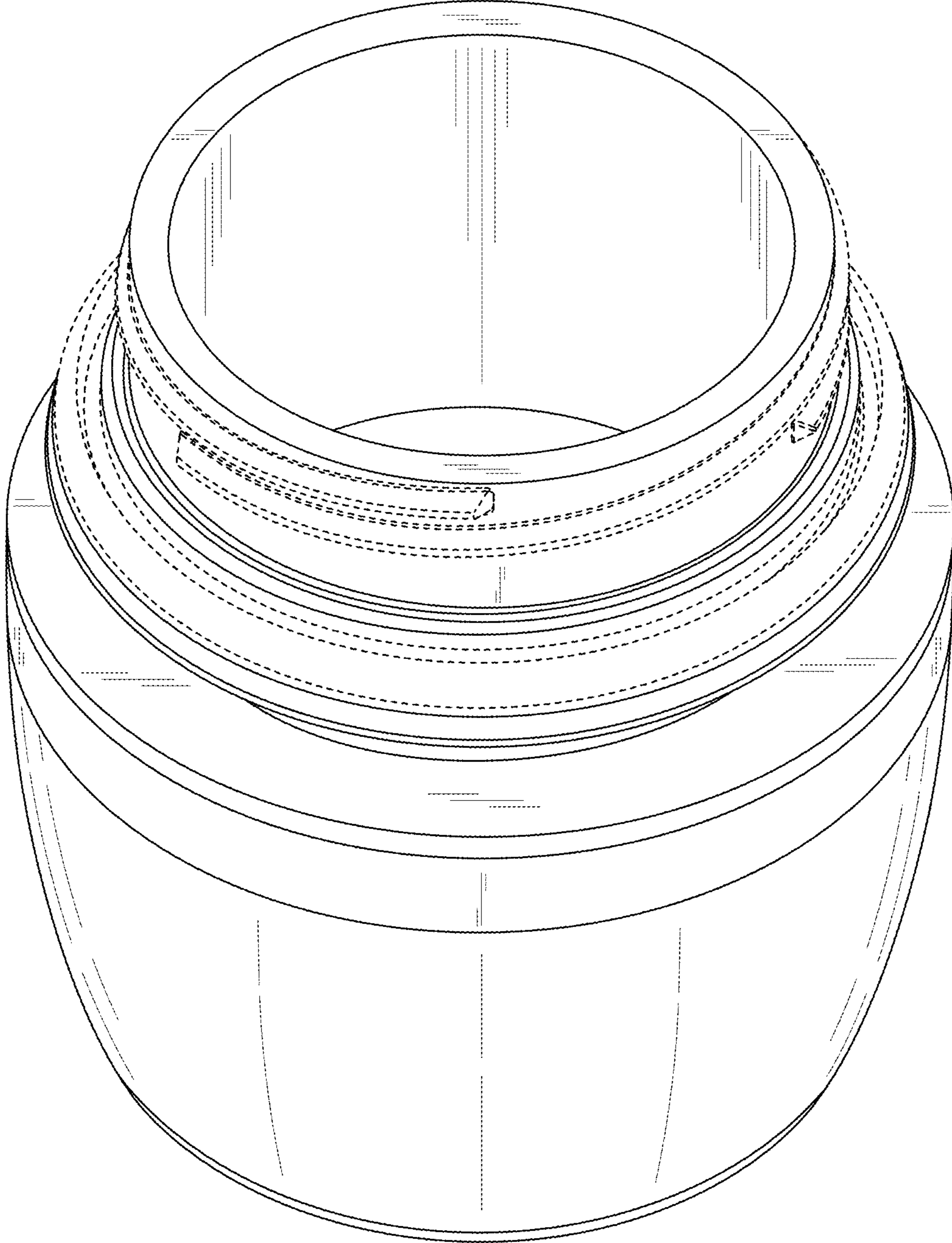


FIG. 2

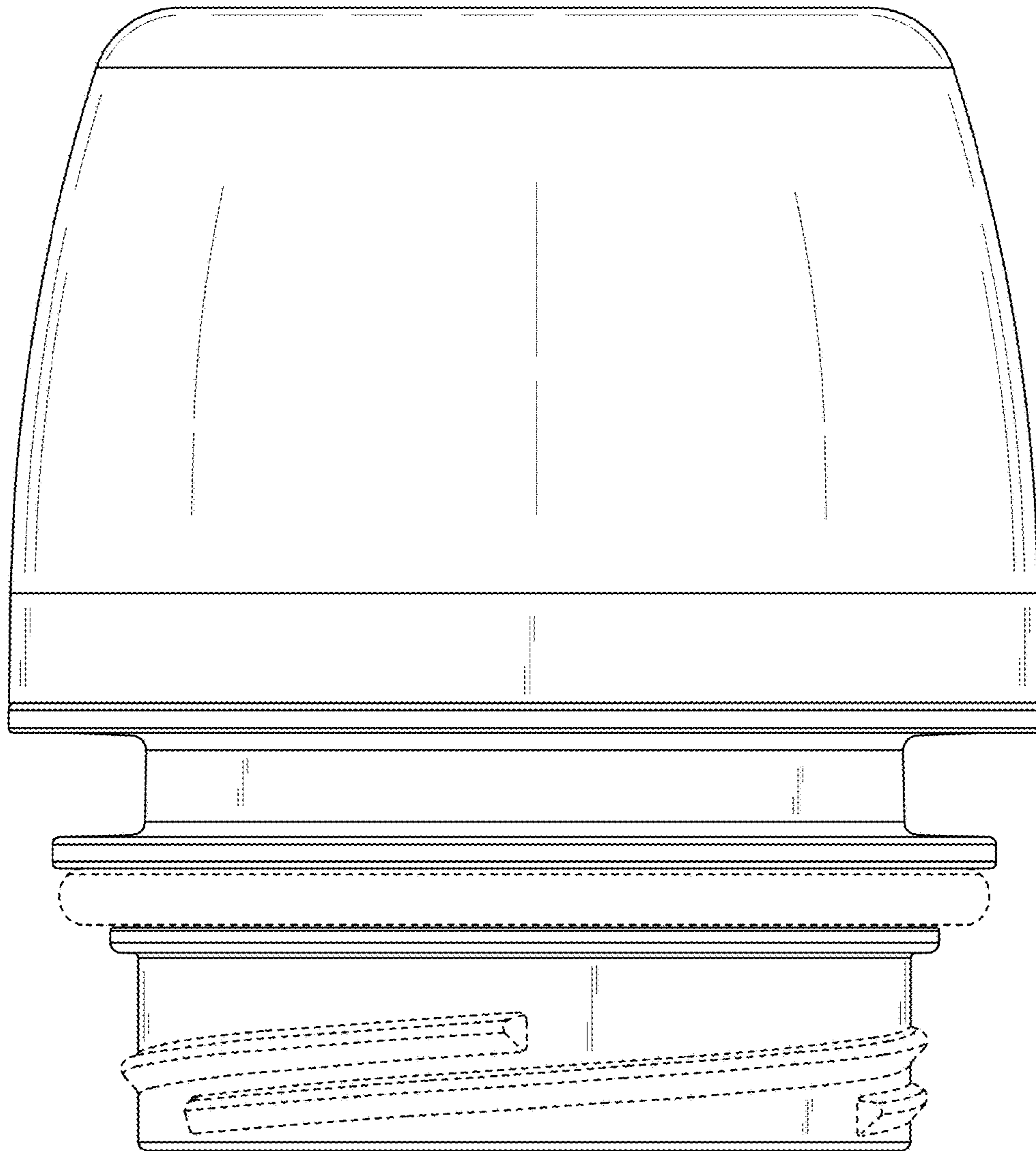


FIG. 3

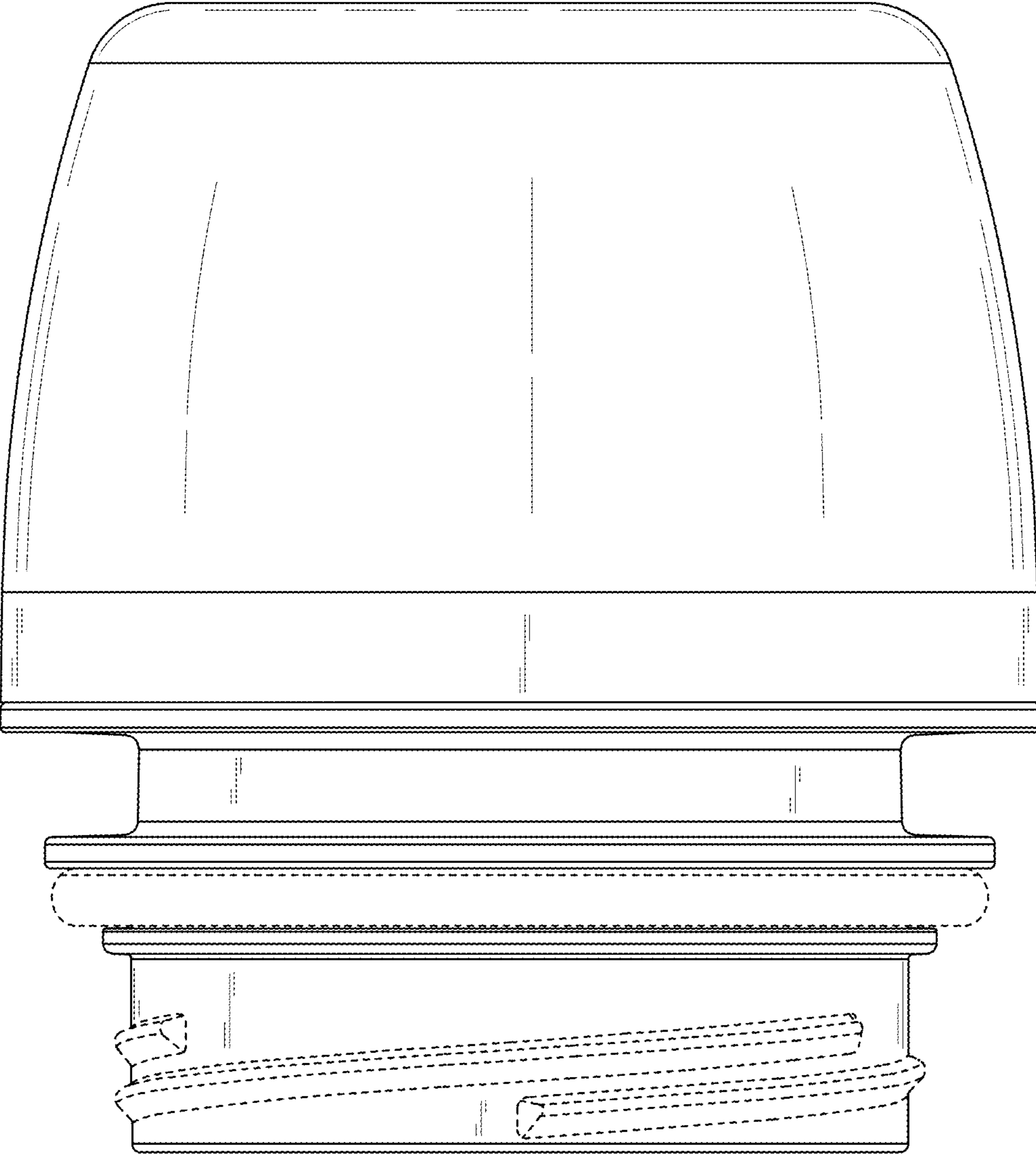


FIG. 4

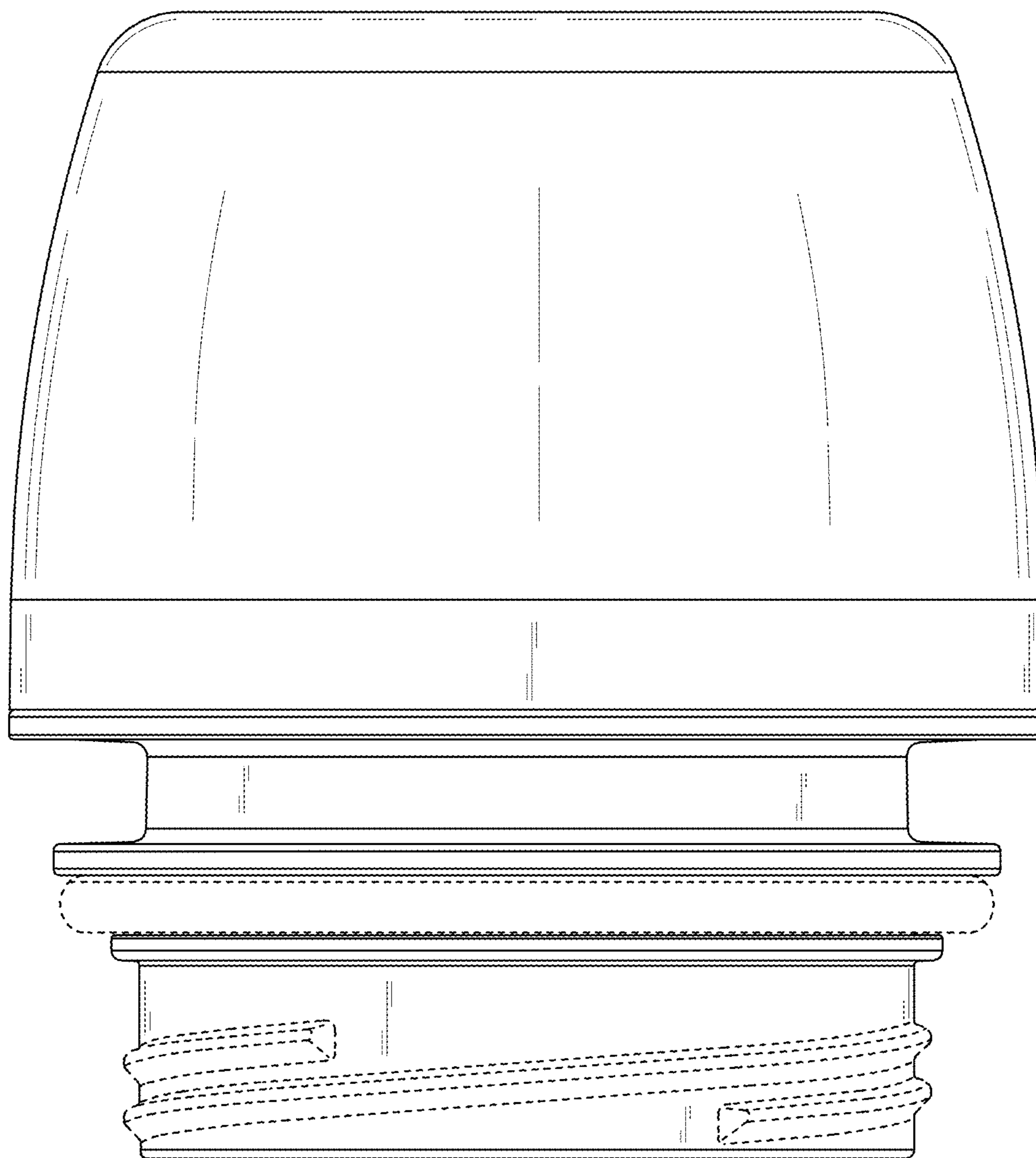


FIG. 5



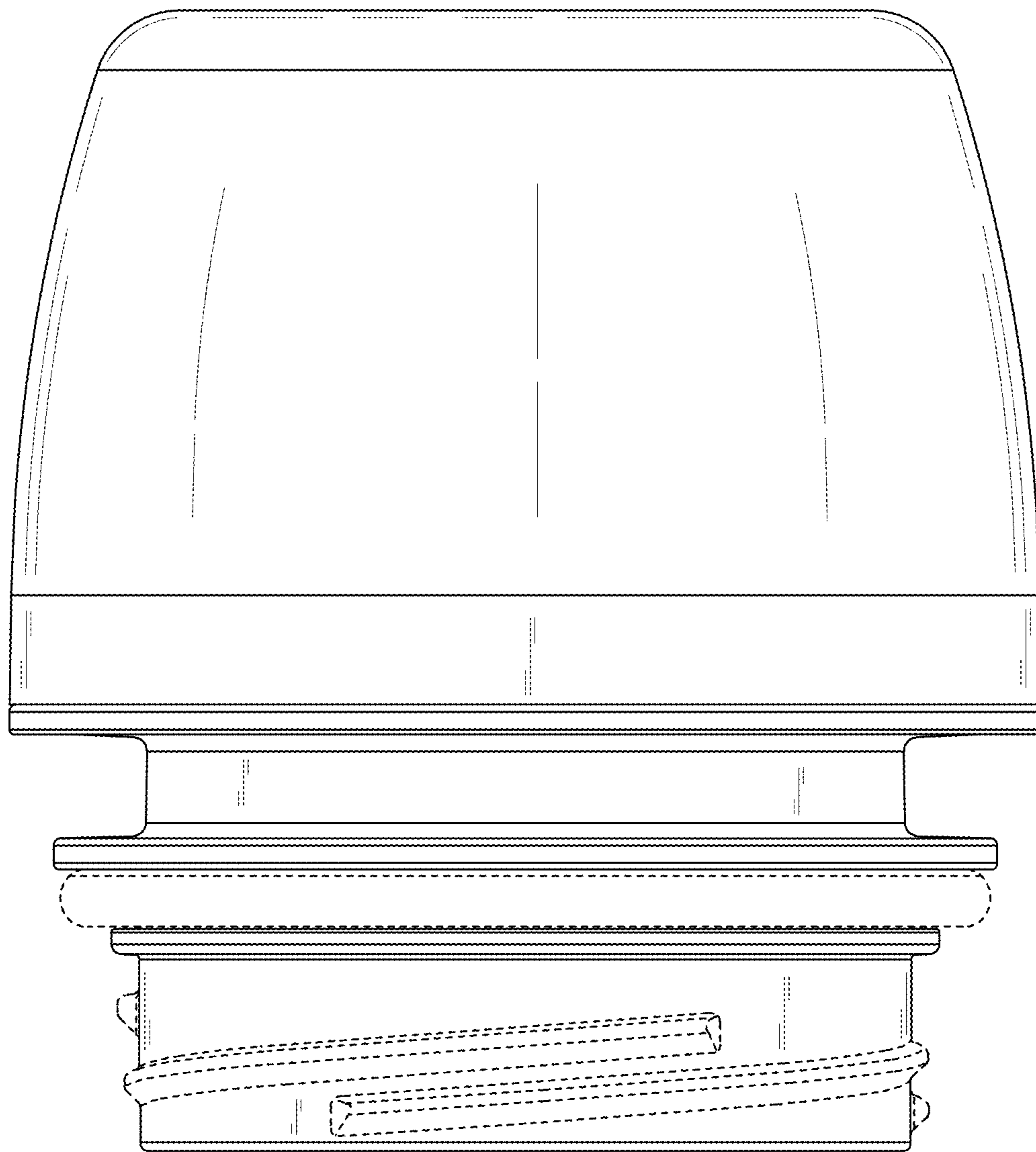


FIG. 6

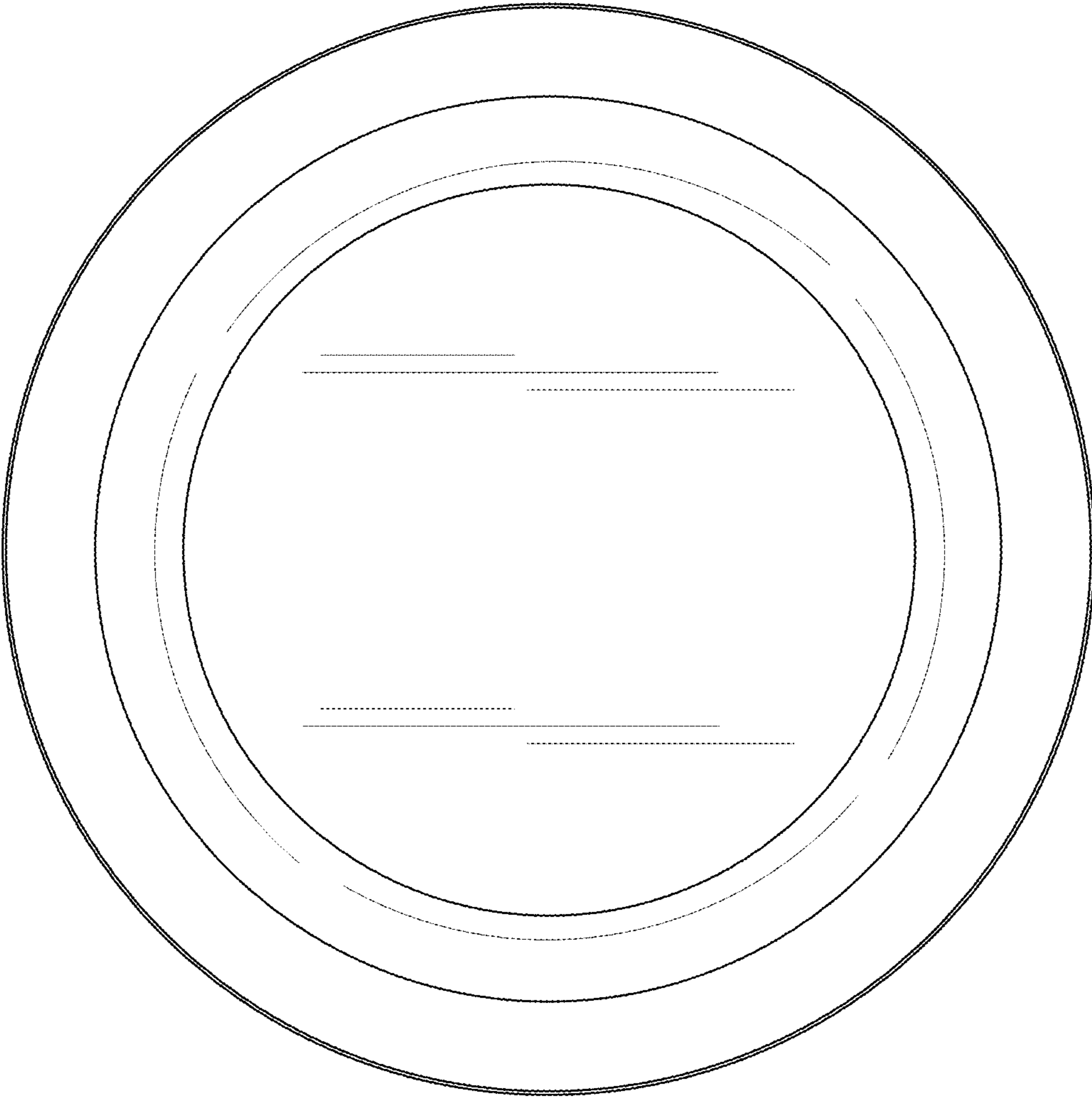


FIG. 7