



US00D814852S

(12) **United States Design Patent**
Melanson et al.

(10) **Patent No.:** **US D814,852 S**
(45) **Date of Patent:** **** Apr. 10, 2018**

(54) **LID FOR A BEVERAGE CONTAINER**

(71) Applicant: **OTTER PRODUCTS, LLC**, Fort Collins, CO (US)

(72) Inventors: **Christopher J. Melanson**, Fort Collins, CO (US); **Shanshan Li**, Fort Collins, CO (US); **Ross V. Bulkley**, Loveland, CO (US); **Alex S. Breeden**, Fort Collins, CO (US); **Russell J. Goldfain**, Fort Collins, CO (US)

(73) Assignee: **Otter Products, LLC**, Fort Collins, CO (US)

(**) Term: **15 Years**

(21) Appl. No.: **29/603,414**

(22) Filed: **May 9, 2017**

(51) **LOC (11) Cl.** **31-00**

(52) **U.S. Cl.**
USPC **D7/391; D7/378; D7/412**

(58) **Field of Classification Search**
USPC D7/372, 376-386, 391, 392.1, 412-413, D7/507, 510, 513, 602, 629, 665-666, D7/669, 679, 693-694; D9/436, 443, D9/614; D23/233

CPC A21C 1/02; A21C 1/04; A23N 1/00; A23N 1/02; A47J 43/04; A47J 43/25; A47J 43/27; A47J 43/042; A47J 43/044; A47J 43/046; A47J 43/075; A47J 43/0722; A47J 43/0727; B01F 3/00; B01F 3/0807; B01F 3/0853; B01F 13/0059; B01F 13/0064; B02C 1/08; B02C 2/04; B02C 4/42; B02C 4/142; B02C 4/143; B02C 4/423; B02C 13/1835; B28C 5/10; B28C 5/12; B28C 5/14; B28C 5/16

See application file for complete search history.

(56) **References Cited**

U.S. PATENT DOCUMENTS

6,324,966 B1 12/2001 Joergensen
D455,052 S 4/2002 Gullickson et al.

D455,612 S 4/2002 Gullickson et al.
D479,800 S * 9/2003 McRae D9/443
6,626,326 B2 9/2003 Murakami
D482,607 S * 11/2003 McRae D9/443
7,011,227 B2 3/2006 Ward et al.
D524,909 S * 7/2006 Bakke D23/233
D547,607 S 7/2007 Forsman
D564,841 S 3/2008 Clemens et al.

(Continued)

FOREIGN PATENT DOCUMENTS

EP 2555658 A1 2/2013

OTHER PUBLICATIONS

US D775,903, 01/2017, Seiders et al. (withdrawn)

(Continued)

Primary Examiner — Ricky Pham

(57) **CLAIM**

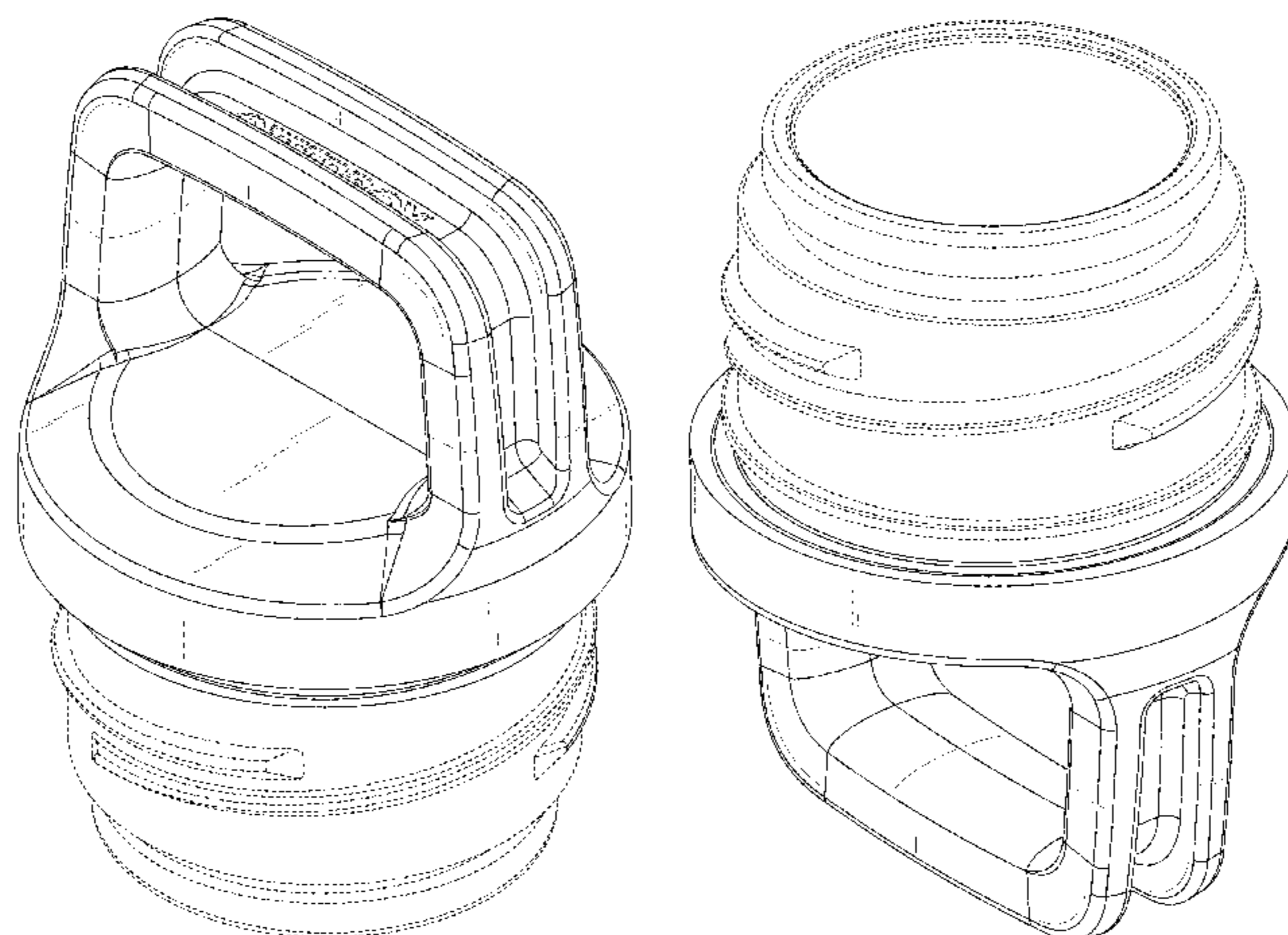
The ornamental design for a lid for a beverage container, as shown and described.

DESCRIPTION

FIG. 1 is a front, top perspective view of a lid for a beverage container showing our new design;
FIG. 2 is a rear, bottom perspective view thereof;
FIG. 3 is a front view thereof;
FIG. 4 is a rear view thereof;
FIG. 5 is a left view thereof;
FIG. 6 is a right view thereof;
FIG. 7 is a top view thereof; and,
FIG. 8 is a bottom view thereof.

The dash-dash broken lines throughout the drawing figures depict portions of the lid for a beverage container that form no part of the claimed design. The broken lines and unshaded surfaces bounded by broken lines form no part of the claimed design.

1 Claim, 8 Drawing Sheets



(56)

References Cited

U.S. PATENT DOCUMENTS

- | | | | |
|-----------------|---------|-------------------|----------|
| D592,906 S | 5/2009 | Allen et al. | |
| 7,533,783 B2 | 5/2009 | Choi et al. | |
| D621,257 S * | 8/2010 | Gullickson | D9/443 |
| D623,896 S * | 9/2010 | Wahl | D7/392.1 |
| D626,837 S | 11/2010 | Meyers et al. | |
| D651,847 S * | 1/2012 | Gilbert | D7/392.1 |
| D656,360 S | 3/2012 | Miller et al. | |
| D657,196 S * | 4/2012 | Beyers, III | D7/513 |
| 8,191,727 B2 | 6/2012 | Davies et al. | |
| 8,251,247 B1 | 8/2012 | Breckner | |
| D682,034 S | 5/2013 | El-Saden et al. | |
| 8,469,226 B2 | 6/2013 | Davies et al. | |
| 8,602,238 B2 | 12/2013 | El-Saden et al. | |
| 8,622,237 B2 | 1/2014 | Choi et al. | |
| D700,012 S | 2/2014 | Hurley et al. | |
| D700,802 S | 3/2014 | Miller | |
| 8,695,830 B2 | 4/2014 | Meyers et al. | |
| D707,124 S | 6/2014 | Blain et al. | |
| 8,777,048 B2 | 7/2014 | Choi et al. | |
| D712,254 S * | 9/2014 | Geis | D9/436 |
| D712,720 S | 9/2014 | Seiders | |
| D712,721 S | 9/2014 | Seiders | |
| D712,722 S | 9/2014 | Seiders | |
| D712,723 S | 9/2014 | Seiders | |
| D714,125 S | 9/2014 | Seiders | |
| 8,844,762 B2 | 9/2014 | Chiou et al. | |
| D716,657 S | 11/2014 | Caneer | |
| 8,905,252 B2 | 12/2014 | Latham et al. | |
| 8,910,819 B2 | 12/2014 | Seiders | |
| 8,939,305 B2 | 1/2015 | Meyers et al. | |
| D722,474 S | 2/2015 | Seiders | |
| D722,475 S | 2/2015 | Seiders | |
| D725,966 S | 4/2015 | Boroski et al. | |
| D727,457 S | 4/2015 | Seiders | |
| D729,579 S * | 5/2015 | Molayem | D7/507 |
| D731,614 S | 6/2015 | Seiders | |
| D732,348 S | 6/2015 | Seiders et al. | |
| D732,349 S | 6/2015 | Seiders et al. | |
| D732,350 S | 6/2015 | Seiders et al. | |
| D732,392 S | 6/2015 | Duran et al. | |
| D732,899 S | 6/2015 | Seiders et al. | |
| 9,107,541 B2 | 8/2015 | Bodum | |
| 9,113,698 B2 | 8/2015 | Blain et al. | |
| D739,174 S | 9/2015 | Elsaden et al. | |
| 9,139,352 B2 | 9/2015 | Seiders et al. | |
| D740,605 S | 10/2015 | Wodka et al. | |
| D742,684 S | 11/2015 | Hurley et al. | |
| 9,187,232 B2 | 11/2015 | Seiders | |
| D748,942 S | 2/2016 | Boroski et al. | |
| D751,338 S | 3/2016 | Seiders et al. | |
| D751,339 S | 3/2016 | Seiders et al. | |
| D751,340 S | 3/2016 | Seiders et al. | |
| D751,341 S | 3/2016 | Seiders et al. | |
| D752,347 S | 3/2016 | Seiders et al. | |
| D752,397 S | 3/2016 | Seiders et al. | |
| D754,483 S | 4/2016 | Elsaden et al. | |
| D754,486 S | 4/2016 | Ott | |
| 9,351,597 B2 | 5/2016 | Liu et al. | |
| D758,137 S | 6/2016 | Soltz et al. | |
| D758,791 S * | 6/2016 | Hanna | D7/392.1 |
| D759,485 S | 6/2016 | Boroski et al. | |
| D760,586 S | 7/2016 | Seiders et al. | |
| D761,619 S | 7/2016 | Seiders et al. | |
| D762,117 S | 7/2016 | Joseph et al. | |
| D762,418 S | 8/2016 | Sorensen et al. | |
| D764,787 S | 8/2016 | Montminy | |
| D766,652 S | 9/2016 | Joseph et al. | |
| D767,328 S | 9/2016 | Boroski et al. | |
| D768,437 S | 10/2016 | Lane | |
| D769,046 S | 10/2016 | Beckman et al. | |
| 9,456,710 B2 | 10/2016 | Blain et al. | |
| 9,462,904 B2 | 10/2016 | Coon et al. | |
| D770,222 S | 11/2016 | Boroski et al. | |
| D772,064 S | 11/2016 | Boroski et al. | |
| 9,505,527 B1 | 11/2016 | Campbell | |
| D774,359 S | 12/2016 | Boroski | |
| D774,363 S | 12/2016 | Seiders et al. | |
| D774,837 S | 12/2016 | Seiders et al. | |
| D777,508 S | 1/2017 | Goodwin et al. | |
| D779,285 S | 2/2017 | Seiders et al. | |
| D779,891 S | 2/2017 | Seiders et al. | |
| D779,892 S | 2/2017 | Seiders et al. | |
| D780,530 S | 3/2017 | Seiders et al. | |
| D780,531 S | 3/2017 | Seiders et al. | |
| D780,532 S | 3/2017 | Seiders et al. | |
| D780,533 S | 3/2017 | Seiders et al. | |
| D780,577 S | 3/2017 | Seiders et al. | |
| D781,145 S | 3/2017 | Seiders et al. | |
| D781,146 S | 3/2017 | Seiders et al. | |
| D781,662 S | 3/2017 | Seiders et al. | |
| D782,881 S | 4/2017 | Seiders et al. | |
| D783,367 S | 4/2017 | Seiders et al. | |
| D783,368 S | 4/2017 | Seiders et al. | |
| D784,775 S | 4/2017 | Seiders et al. | |
| D786,025 S | 5/2017 | Seiders et al. | |
| D787,893 S | 5/2017 | Seiders et al. | |
| D787,894 S | 5/2017 | Seiders et al. | |
| 9,637,270 B2 | 5/2017 | Campbell | |
| D788,544 S | 6/2017 | Seiders et al. | |
| D790,285 S | 6/2017 | Seiders et al. | |
| D790,920 S | 7/2017 | Goodwin et al. | |
| D791,532 S * | 7/2017 | Yao | D7/392.1 |
| D791,549 S | 7/2017 | Goodwin et al. | |
| D792,215 S * | 7/2017 | Eyal | D7/392.1 |
| 9,694,953 B2 | 7/2017 | Meyers et al. | |
| D794,397 S | 8/2017 | Seiders et al. | |
| D795,008 S * | 8/2017 | Eyal | D7/392.1 |
| D795,019 S | 8/2017 | Seiders et al. | |
| D795,020 S | 8/2017 | Seiders et al. | |
| D795,646 S | 8/2017 | Sorensen et al. | |
| D798,105 S | 9/2017 | Stover et al. | |
| D799,320 S | 10/2017 | Goodwin et al. | |
| D799,906 S | 10/2017 | Seiders et al. | |
| D799,907 S | 10/2017 | Seiders et al. | |
| D799,908 S | 10/2017 | Seiders et al. | |
| 9,776,777 B2 | 10/2017 | Gorbald | |
| 9,782,028 B2 | 10/2017 | Davies et al. | |
| D802,419 S | 11/2017 | Seiders et al. | |
| D802,994 S | 11/2017 | Seiders et al. | |
| D803,619 S | 11/2017 | Seiders et al. | |
| D803,632 S | 11/2017 | Seiders et al. | |
| D803,684 S | 11/2017 | Seiders et al. | |
| D804,254 S | 12/2017 | Seiders et al. | |
| D804,255 S | 12/2017 | Seiders et al. | |
| D804,256 S | 12/2017 | Seiders et al. | |
| D805,852 S | 12/2017 | Seiders et al. | |
| D807,125 S | 1/2018 | Seiders et al. | |
| D807,126 S | 1/2018 | Seiders et al. | |
| 2005/0046211 A1 | 3/2005 | Nole et al. | |
| 2013/0043263 A1 | 2/2013 | Yang | |
| 2013/0240549 A1 | 9/2013 | Beggins et al. | |
| 2014/0061208 A1 | 3/2014 | Boyd | |
| 2016/0153690 A1 | 6/2016 | Patsis et al. | |
| 2016/0318693 A1 | 11/2016 | Hein et al. | |
| 2017/0121073 A1 | 5/2017 | Seiders et al. | |

OTHER PUBLICATIONS

Brittany A. Roston, Slash Gear, "Venture Coolers are like the camping version of OtterBox phone cases," May 9, 2017, downloaded from <https://www.slashgear.com/venture-coolers-are-like-the-camping-version-of-otterbox-phone-cases-09484519/>, 5 pages.

Genuine Thermos Brand, Mugs & Tumblers, downloaded from http://www.thermos.com/product_catalog.aspx?CatCode=MUGS May 8, 2017, 5 pages.

Kevin Curry, Gear & Grit, "OtterBox Just Beat Yeti at Its own Game with Their Venture Line of Coolers," downloaded from <https://gearandgrit.com/otterbox-venture-cooler/> May 9, 2017, 5 pages.

Otter Products, Inc, OtterBox Outdoor Venture Coolers and Elevation Tumblers, downloaded from <http://www.otterbox.com/en-us/outdoor-coming-soon-html> May 9, 2017, 2 pages.

(56)

References Cited

OTHER PUBLICATIONS

Otterbox, PR Newswire “Unrule the Outdoors with New OtterBox Venture Coolers”, downloaded from <http://www.prnewswire.com/news-releases/unrule-the-outdoors-with-new-otterbox-venture-coolers-300453988.html> May 9, 2017, 3 pages.

Pelican Consumer, Traveler Tumbler Series Drinkware, downloaded from <http://www.pelican.com/us/en/products/drinkware> May 8, 2017, 2 pages.

Tervis Official Store, Shaker Top, downloaded from <http://www.tervis.com/shaker-top> May 8, 2017, 4 pages.

Tervis Official Store, Stainless Steel Tumblers, downloaded from <http://www.tervis.com/stainless-steel> May 8, 2017, 4 pages.

Tervis Official Store, Travel Lids, downloaded from <http://www.tervis.com/travel-lids> May 8, 2017, 11 pages.

Yeti Coolers, Rambler Drinkware Series, downloaded from <http://yeti.com/rambler> May 8, 2017, 6 pages.

Yeti Coolers, Yeti Accessories & Parts, downloaded May 8, 2017 from <http://yeti.com/accessories>, 5 pages.

* cited by examiner

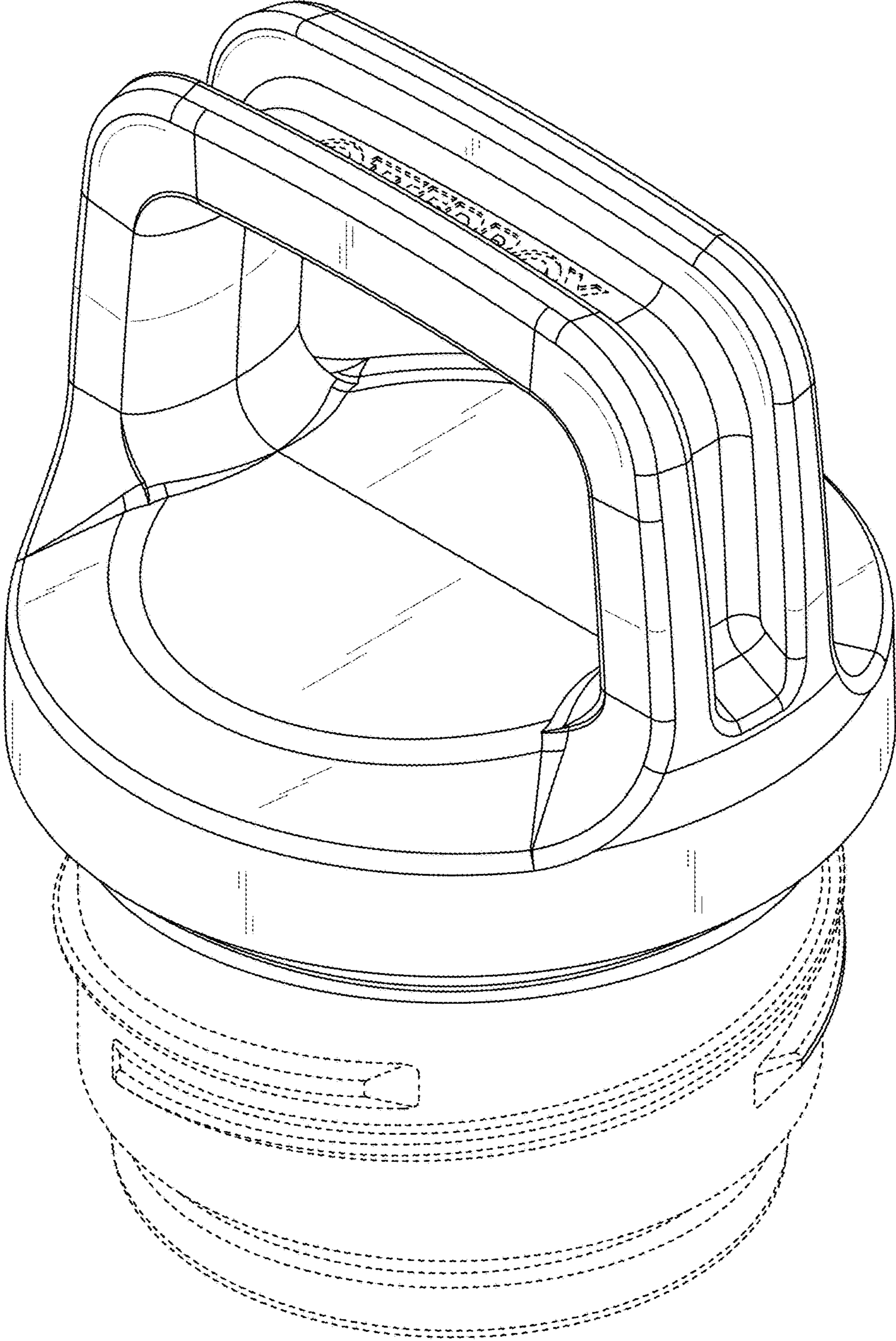


FIG. 1

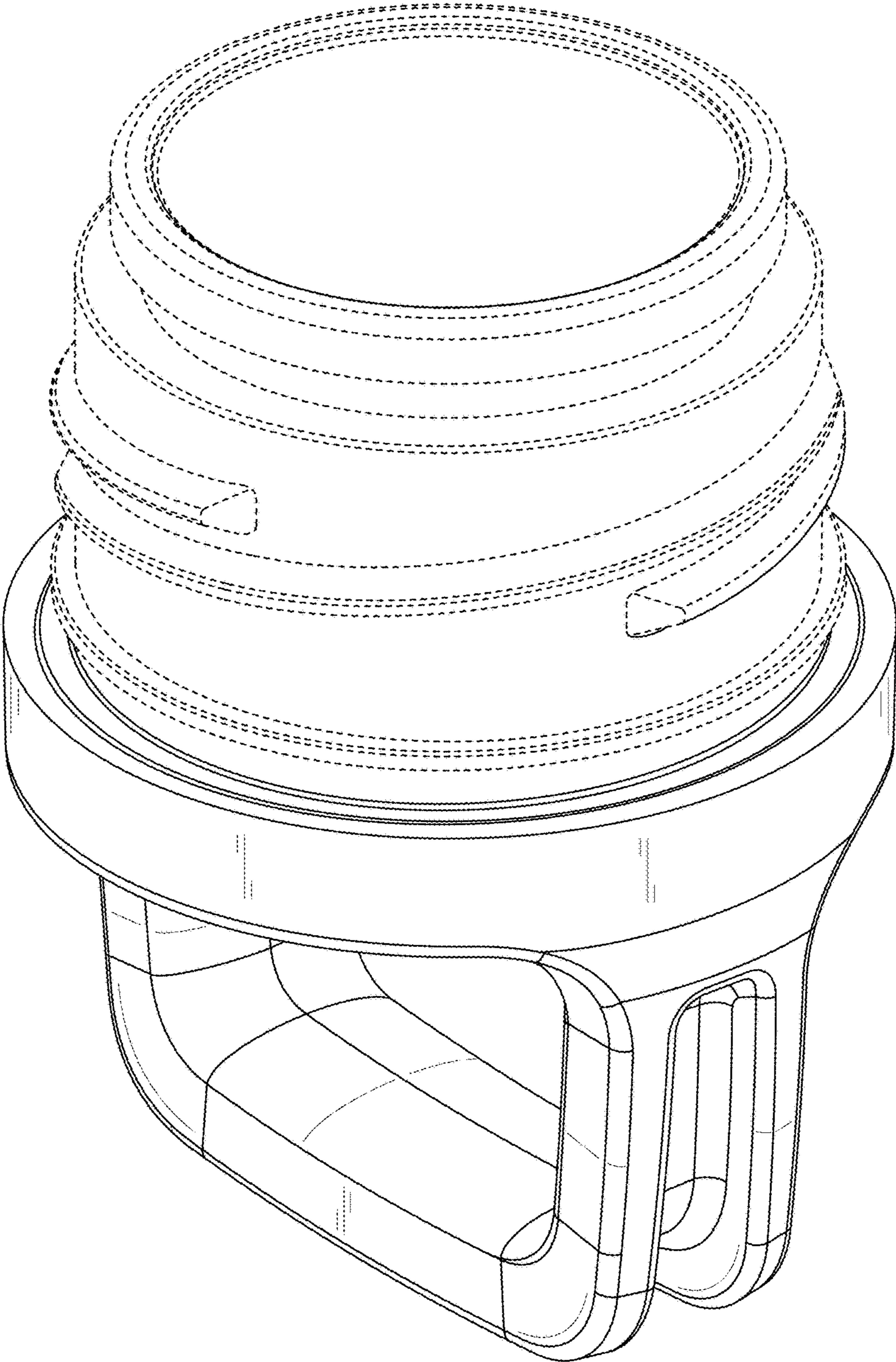


FIG. 2

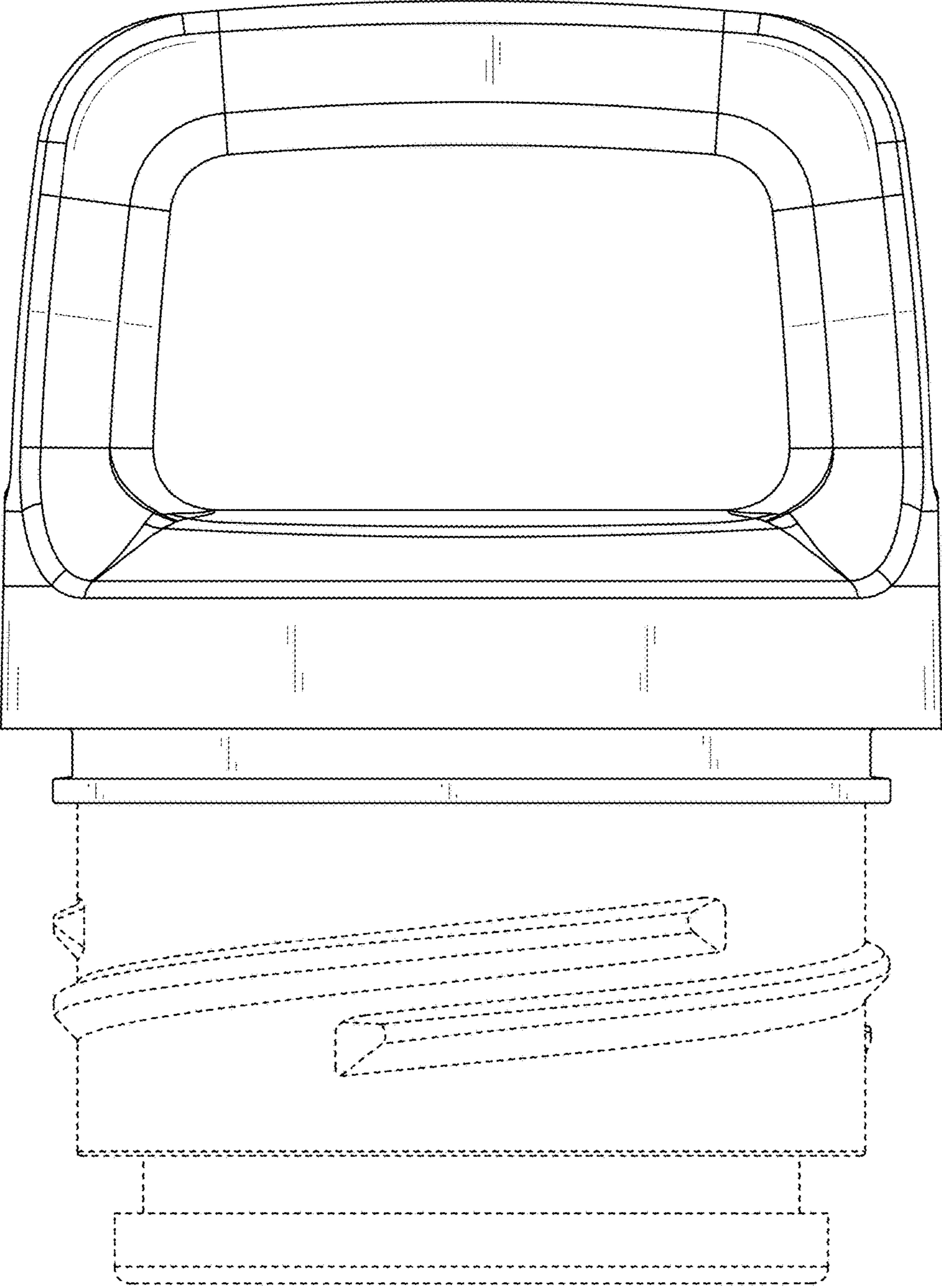


FIG. 3

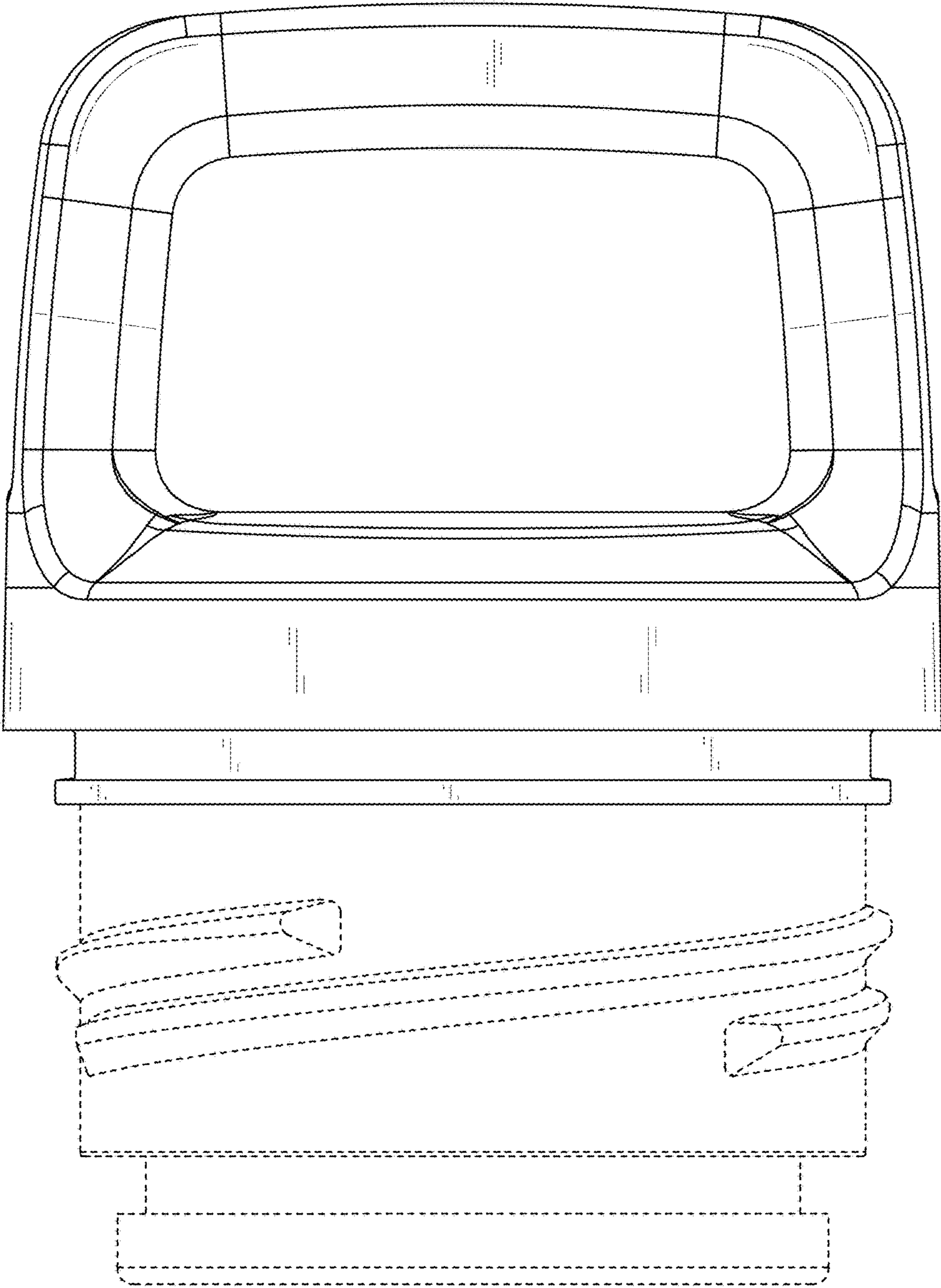


FIG. 4

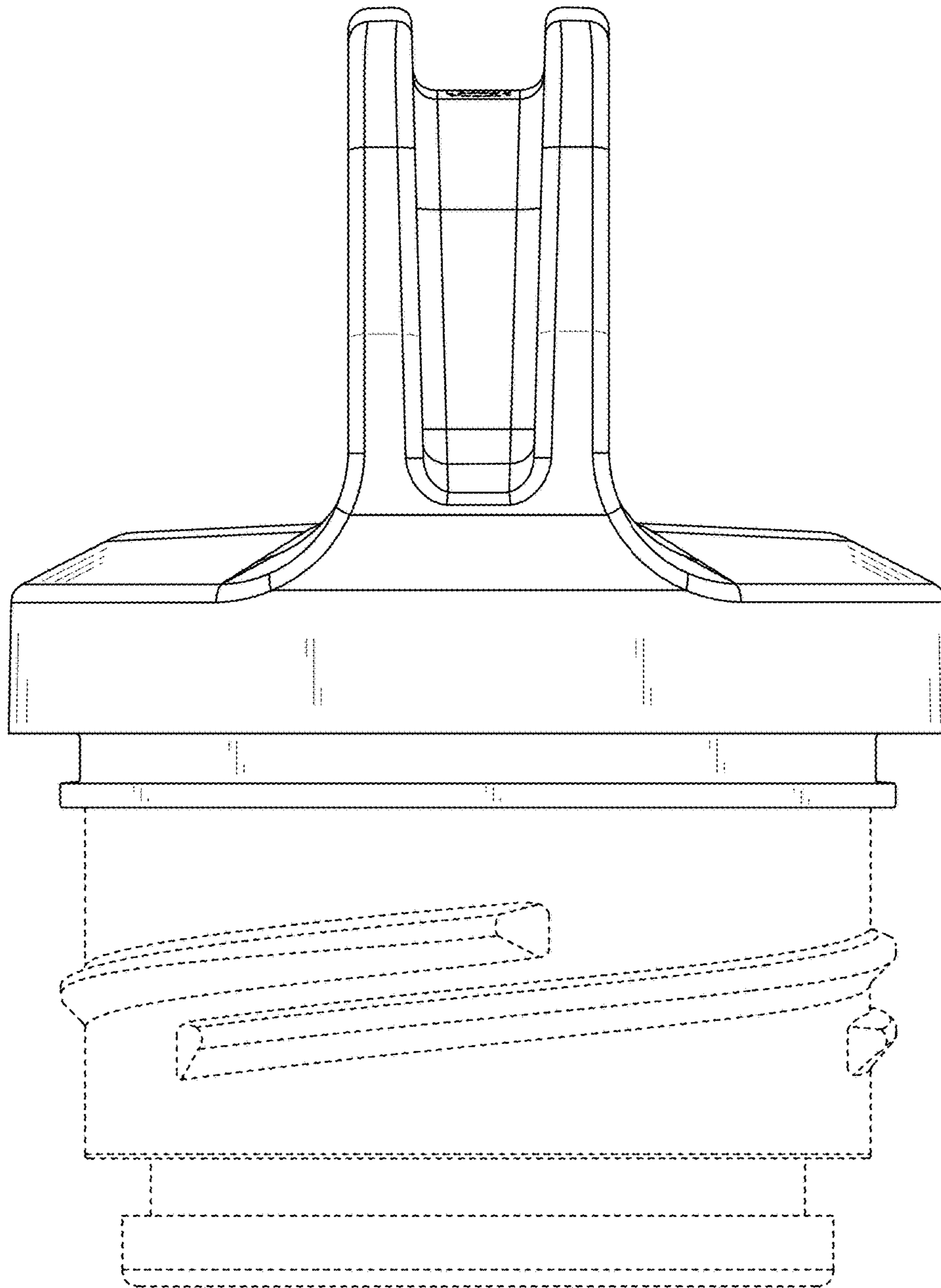


FIG. 5

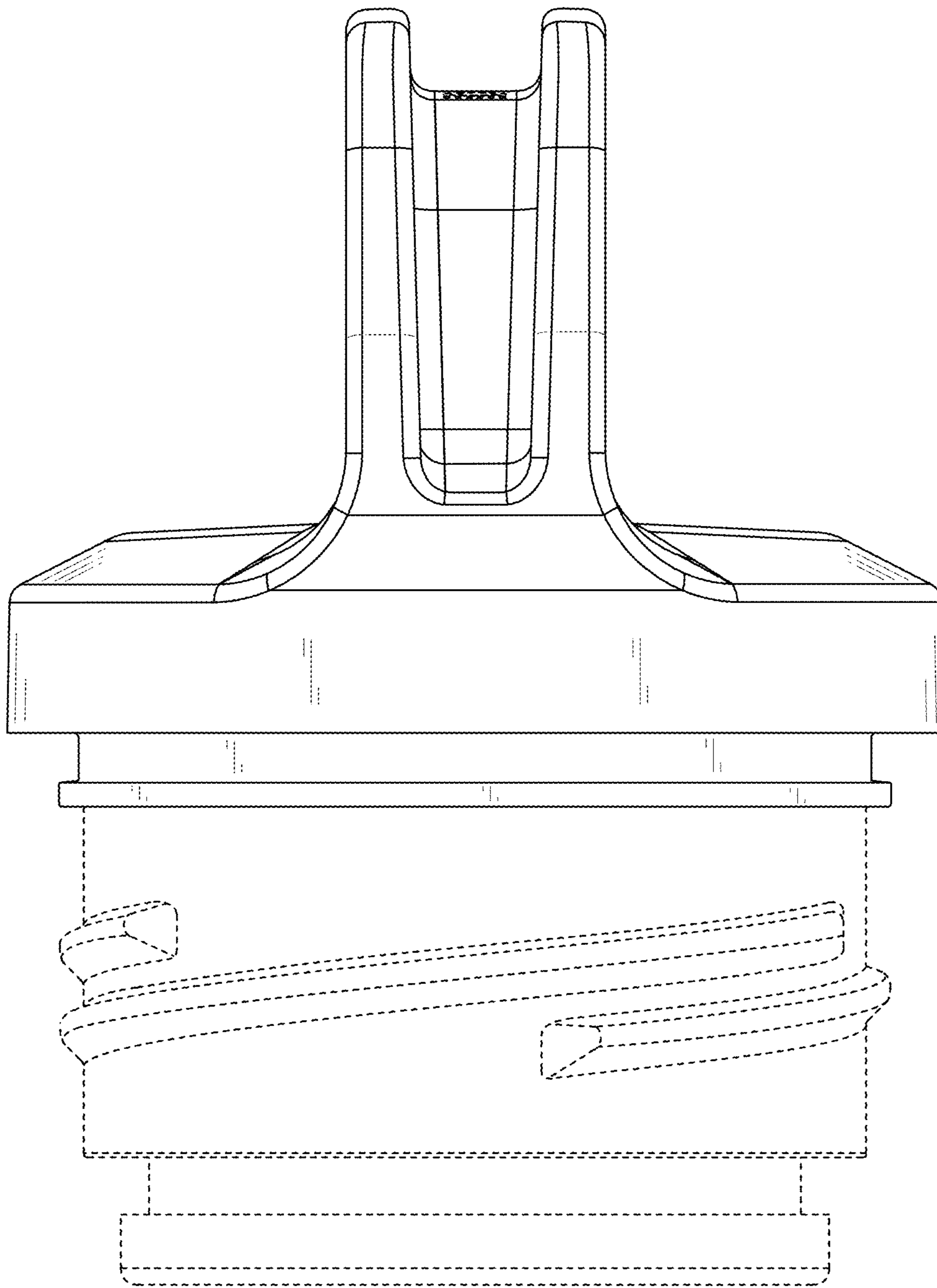


FIG. 6

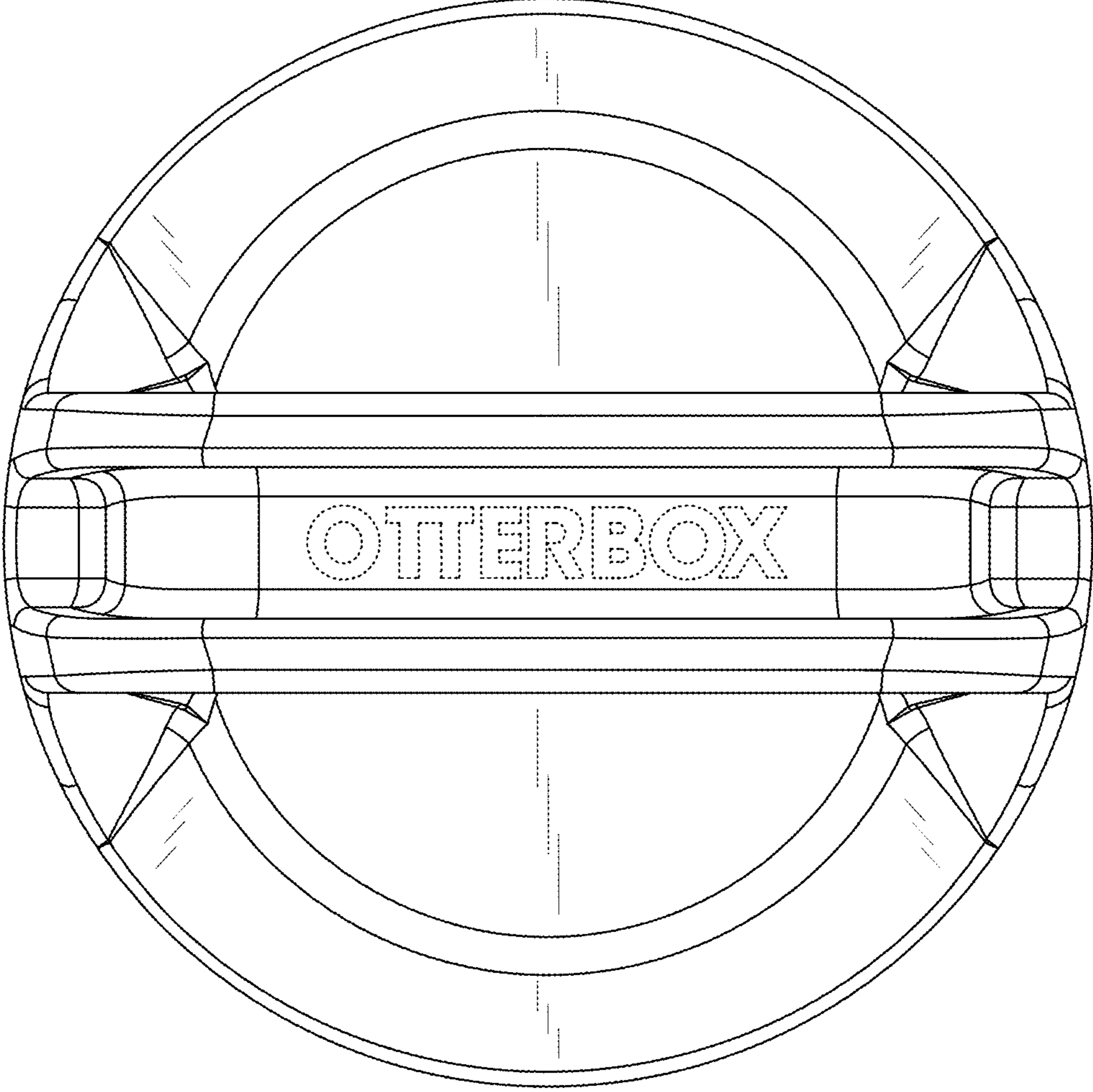


FIG. 7

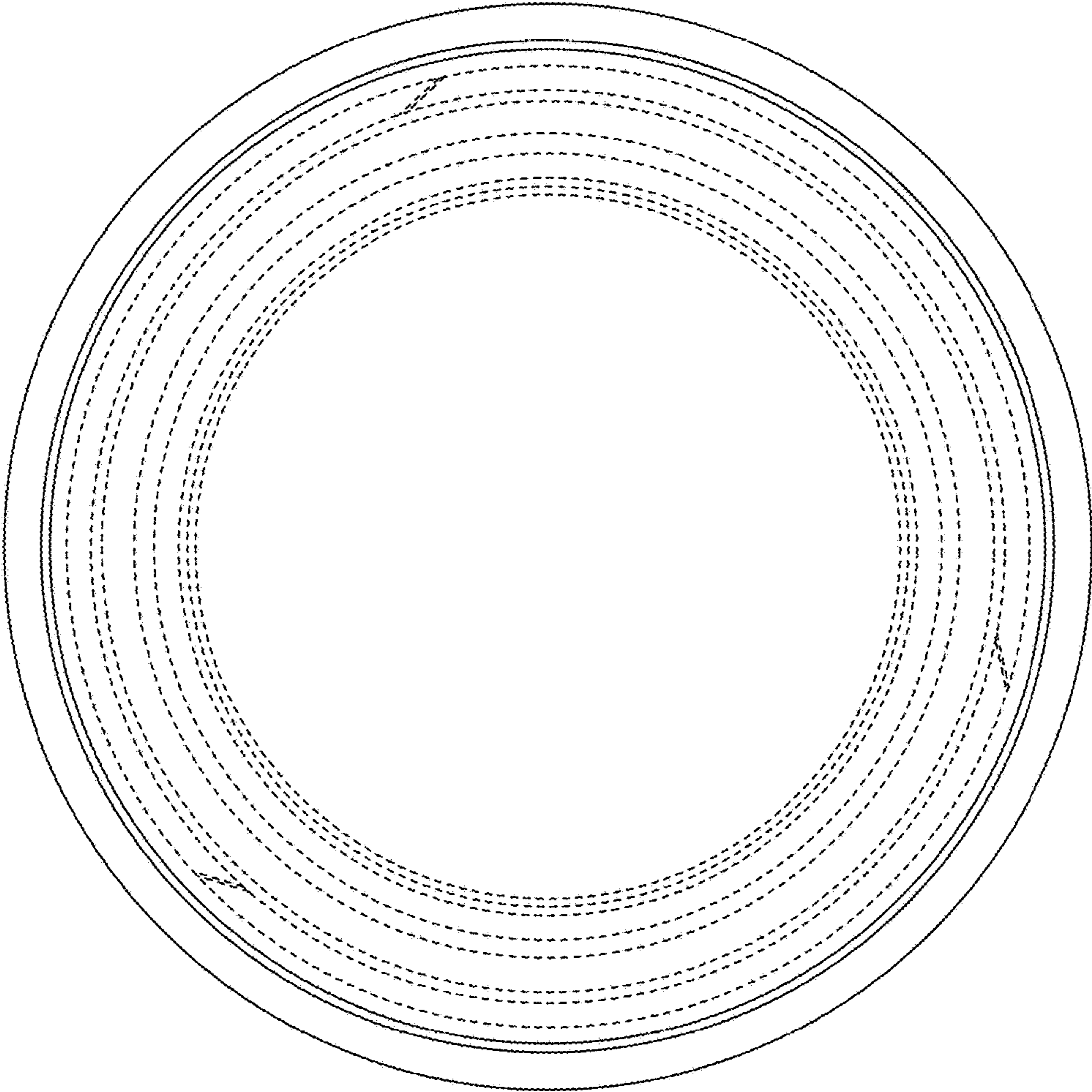


FIG. 8