



US00D814851S

(12) **United States Design Patent** (10) **Patent No.:** **US D814,851 S**
Thai (45) **Date of Patent:** **** Apr. 10, 2018**

(54) **LID AND VESSEL FOR PERSONAL BLENDER**

(71) Applicant: **Breville Pty Limited**, Alexaandria, NSW (AU)
(72) Inventor: **Khon Thai**, Campsie (AU)
(73) Assignee: **Breville Pty Limited**, Alexandria, NSW (AU)
(**) Term: **15 Years**
(21) Appl. No.: **29/555,032**
(22) Filed: **Feb. 18, 2016**

(30) **Foreign Application Priority Data**

Aug. 25, 2015 (AU) 201514417

(51) **LOC (11) Cl.** **31-00**

(52) **U.S. Cl.**
USPC **D7/378; D7/376; D7/412; D7/413**

(58) **Field of Classification Search**
USPC D7/300.1, 372, 376-386, 391, 392.1, D7/412-413, 510, 602, 629, 665-666, D7/669, 679, 693-694; D9/436, 443, D9/449, 614

CPC A21C 1/02; A21C 1/04; A23N 1/00; A23N 1/02; A47G 19/2205; A47G 19/2272; A47J 36/2416; A47J 43/04; A47J 43/25; A47J 43/27; A47J 43/042; A47J 43/044; A47J 43/046; A47J 43/075; A47J 43/0722; A47J 43/0727; B01F 3/00; B01F 3/0807; B01F 3/0853; B01F 13/0059; B01F 13/0064; B02C 1/08; B02C 2/04; B02C 4/42; B02C 4/142; B02C 4/143; B02C 4/423; B02C 13/1835; B28C 5/10; B28C 5/12; B28C 5/14; B28C 5/16; B65D 23/104; B65D 51/242

See application file for complete search history.

(56) **References Cited**

U.S. PATENT DOCUMENTS

D508,185 S * 8/2005 Gauss D7/392.1
D565,353 S * 4/2008 Roth D7/510
D580,227 S * 11/2008 Roth D7/392.1
D614,440 S * 4/2010 Cresswell D7/392.1
D644,065 S * 8/2011 Llerena D7/300.1
D696,551 S * 12/2013 Meyers D7/392.1
D739,174 S * 9/2015 Elsaden D7/392.1
D748,478 S * 2/2016 Sorensen D9/443
D758,127 S * 6/2016 Zhao D7/392.1
D771,990 S * 11/2016 Horowitz D7/300.1
9,492,024 B2 * 11/2016 Sorensen A47G 19/2205
2006/0124579 A1 * 6/2006 Nielson B65D 23/104
215/396
2008/0078200 A1 * 4/2008 Roth A47J 36/2416
62/457.4

* cited by examiner

Primary Examiner — Ricky Pham

(74) *Attorney, Agent, or Firm* — Moser Taboada

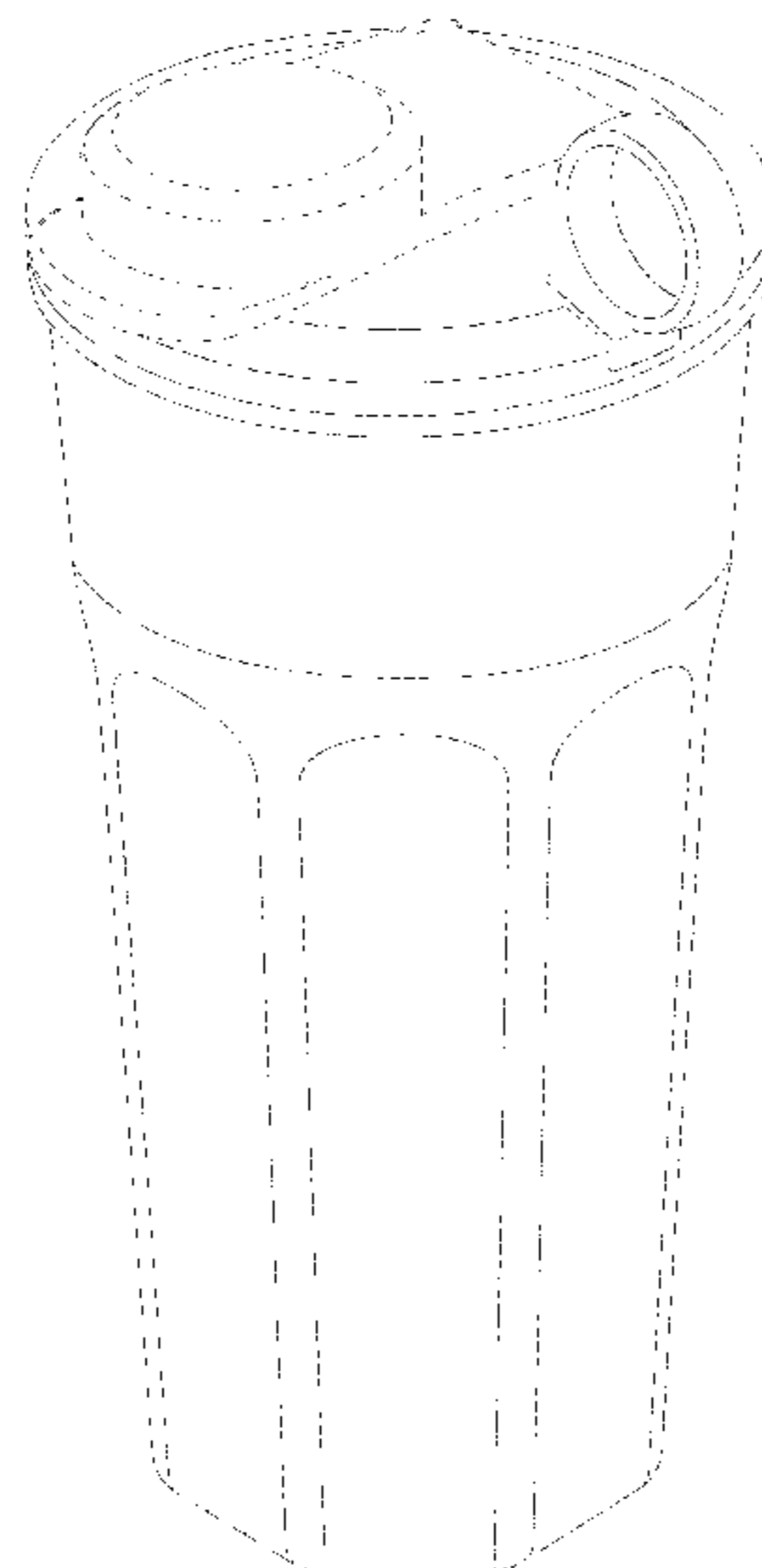
(57) **CLAIM**

The ornamental design for a lid and vessel for personal blender, as shown and described.

DESCRIPTION

FIG. 1 is a front elevation view of a lid and vessel for personal blender showing my new design;
FIG. 2 is a rear elevation view thereof;
FIG. 3 is a side elevation view thereof;
FIG. 4 is a top plan view thereof;
FIG. 5 is a bottom plan view thereof;
FIG. 6 is a front perspective view thereof; and,
FIG. 7 is a rear perspective view thereof.
The broken lines shown in the drawings are for illustrative purposes only and form no part of the claimed design.

1 Claim, 7 Drawing Sheets



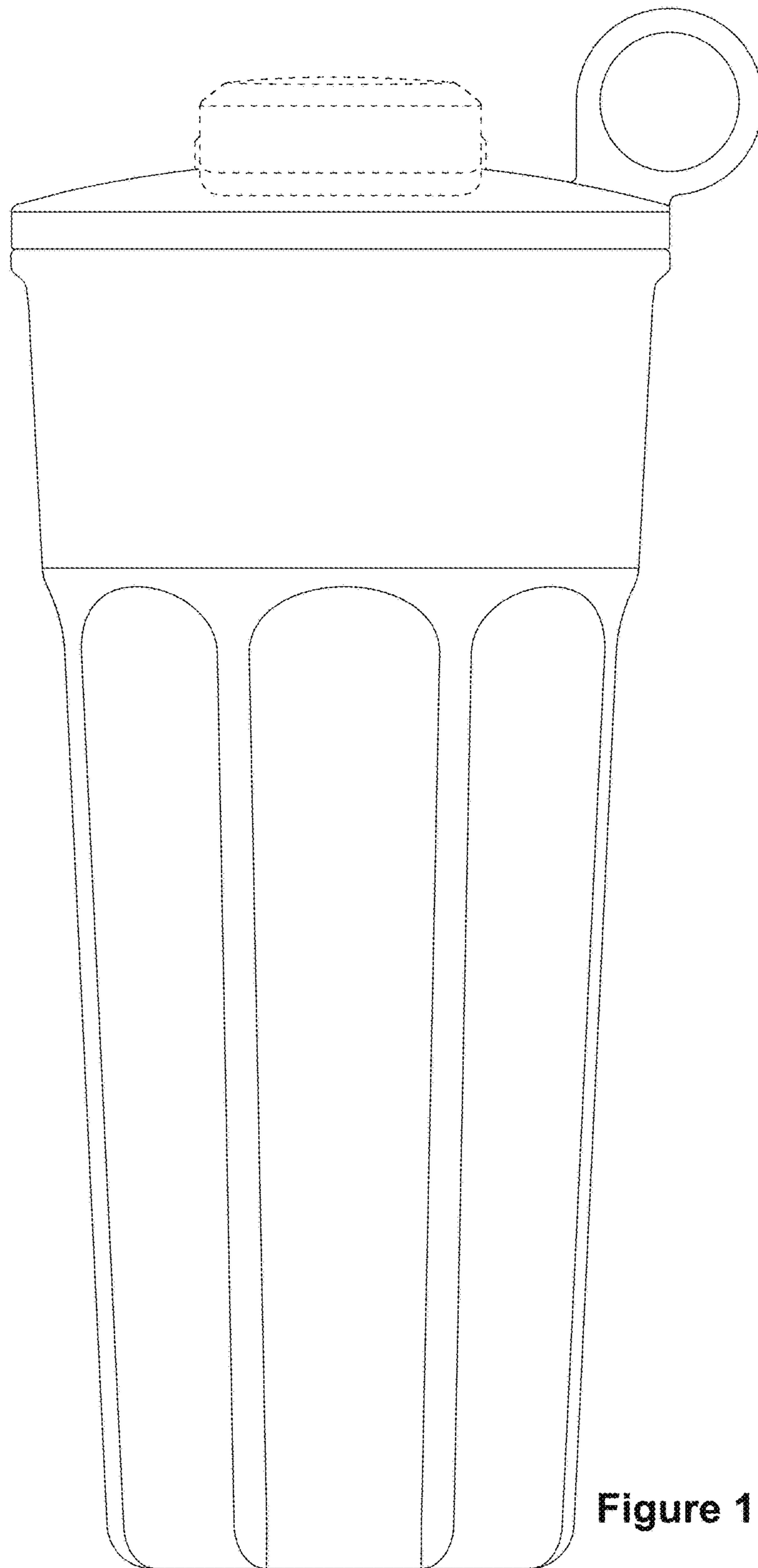


Figure 1

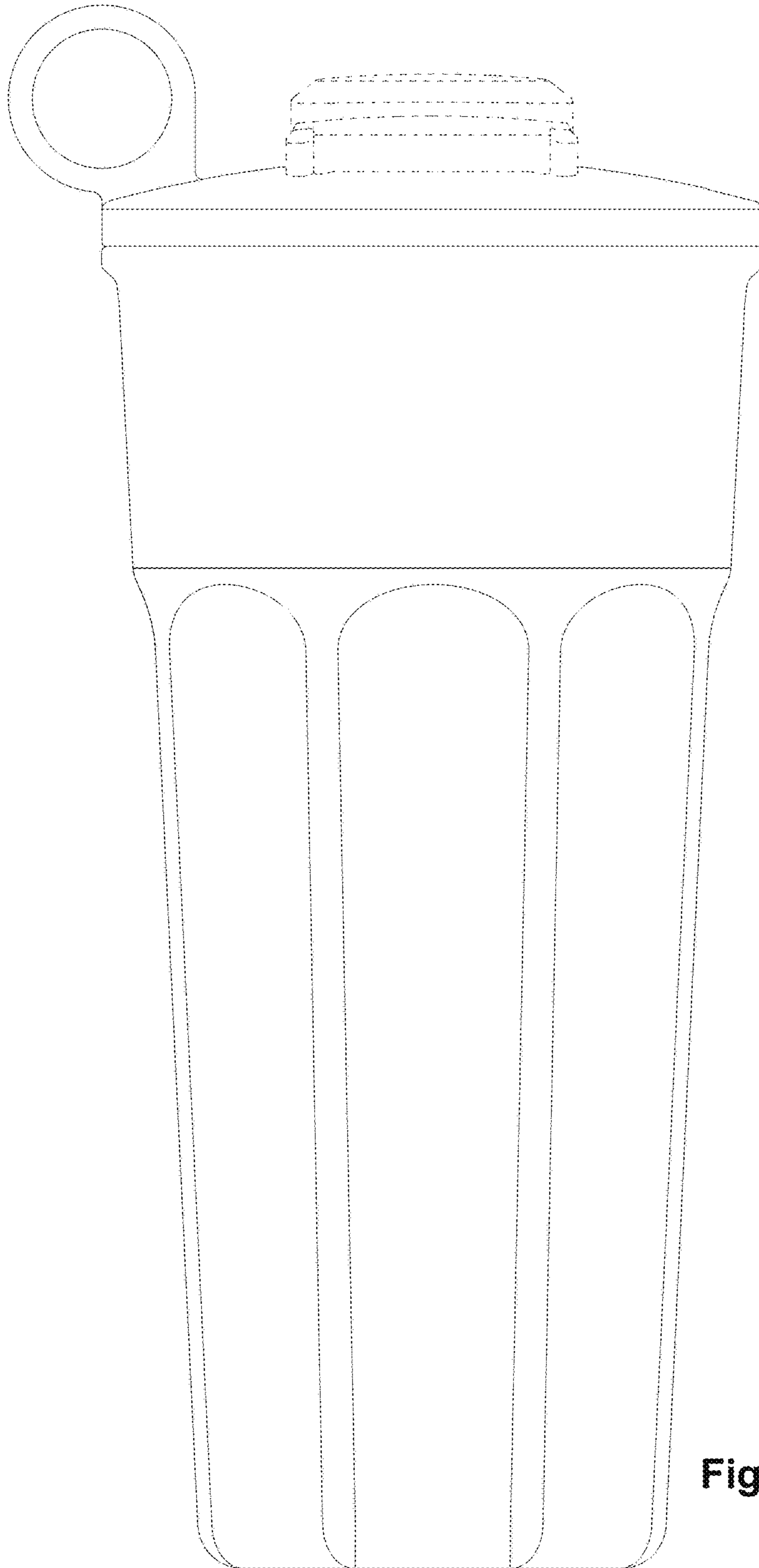


Figure 2

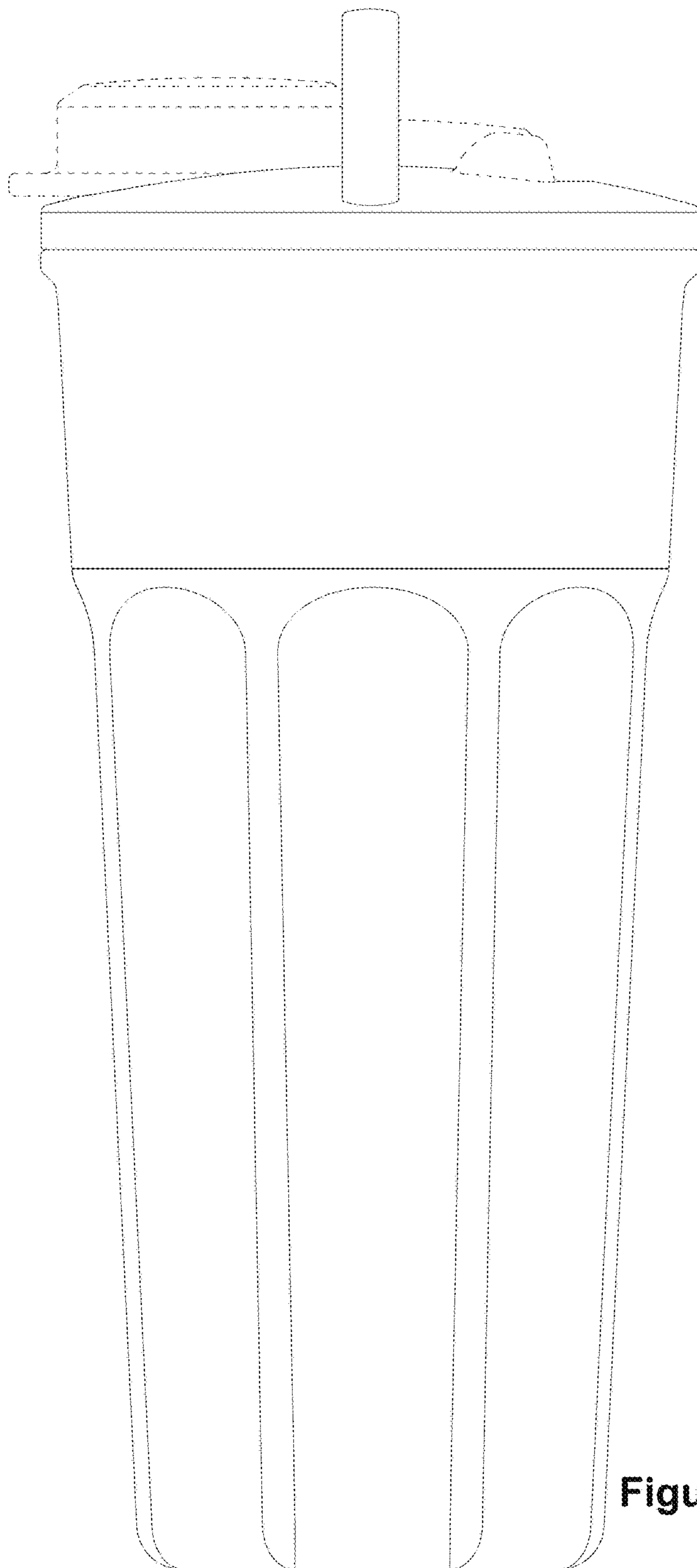


Figure 3

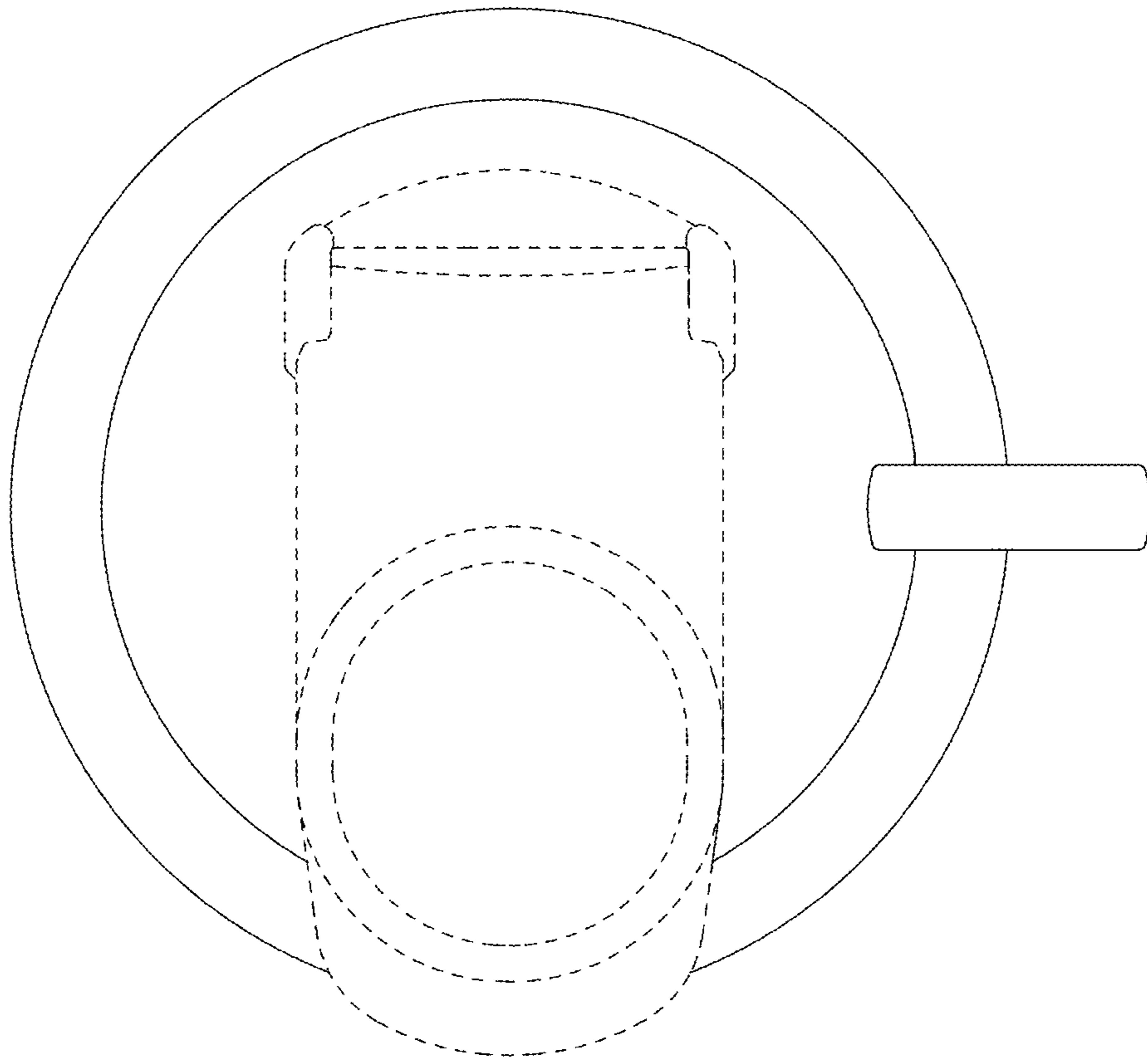


Figure 4

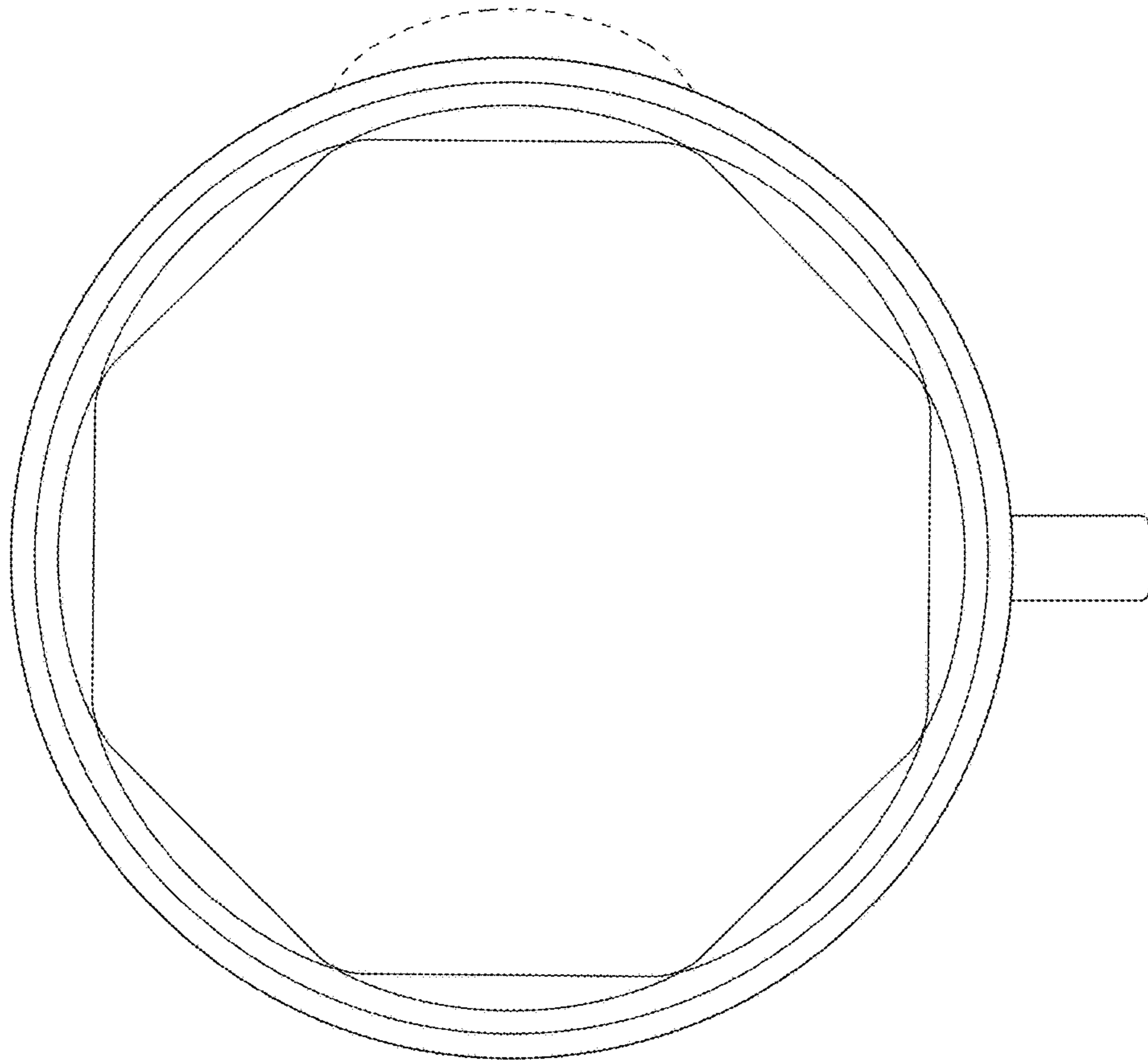


Figure 5

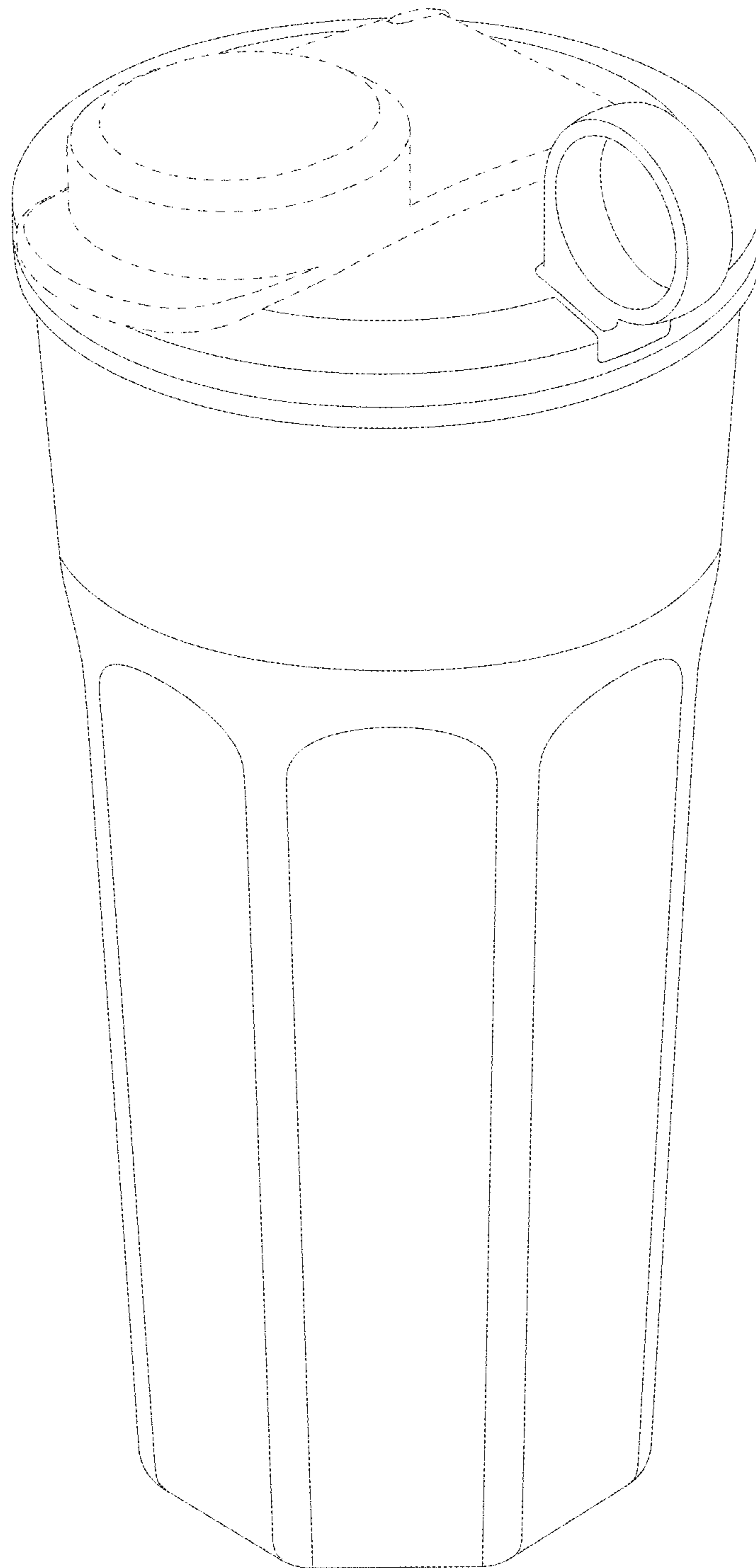


Figure 6

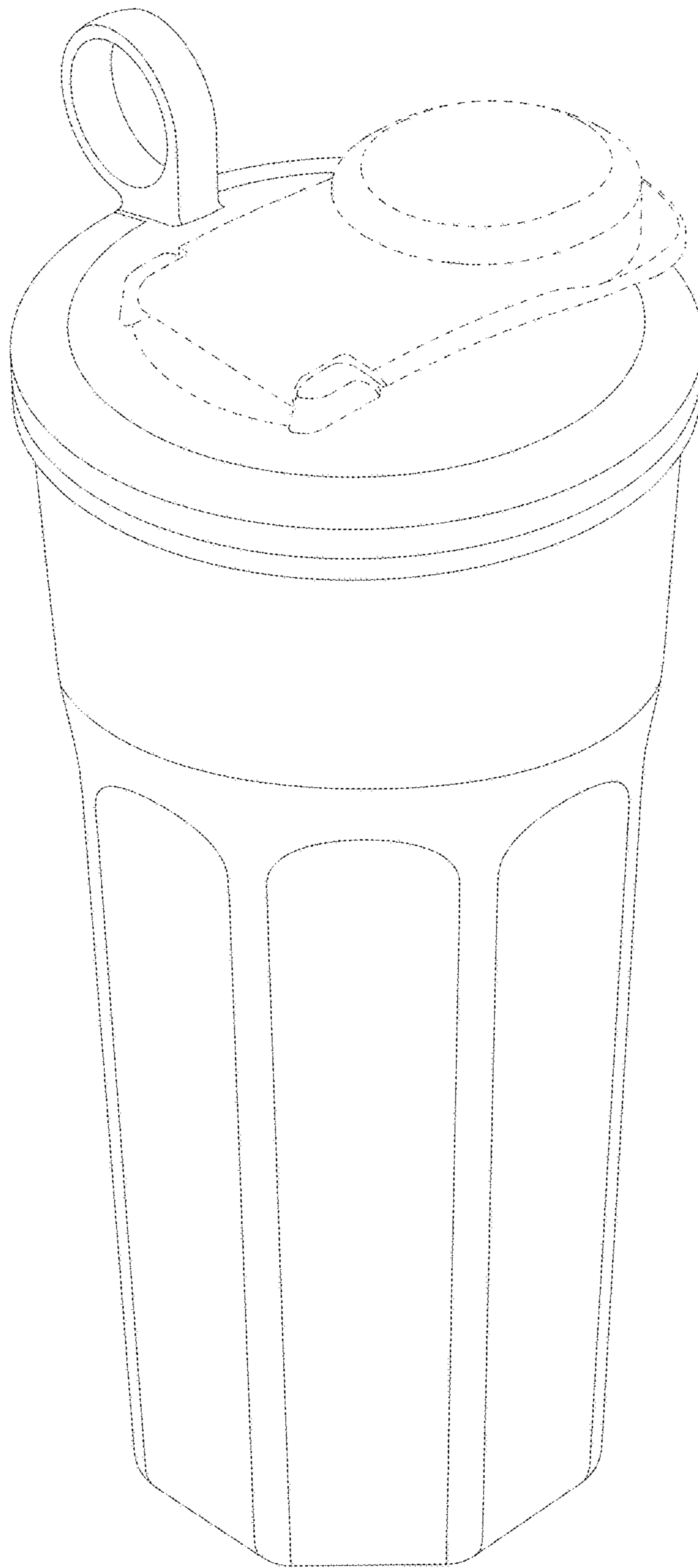


Figure 7