



US00D814850S

(12) **United States Design Patent**  
**Polk, III**

(10) **Patent No.:** **US D814,850 S**  
(45) **Date of Patent:** **\*\* Apr. 10, 2018**

- (54) **MIXER**
- (71) Applicant: **Shorefield Holdings LLC**, Waynesfield, OH (US)
- (72) Inventor: **Louis Frederick Polk, III**, Eden Prairie, MN (US)
- (73) Assignee: **SHOREFIELD HOLDINGS, LLC**, Waynesfield, OH (US)
- (\*\*) Term: **15 Years**
- (21) Appl. No.: **29/557,096**
- (22) Filed: **Mar. 4, 2016**
- (51) **LOC (11) Cl.** ..... **31-00**
- (52) **U.S. Cl.**  
USPC ..... **D7/376**
- (58) **Field of Classification Search**  
USPC ..... D7/372, 376, 378-381, 383, 393, 395, D7/412-415, 665-666, 669, 679; 313/578, 316; 408/288, 309; 411/32, 75  
CPC .. A47J 43/044; A47J 43/042; A47J 43/04409; A47J 43/0722; A47J 43/0755; A47J 43/07; A47J 43/10; A47J 43/1031; A47J 43/1056; A47J 43/04; B01F 3/00  
See application file for complete search history.

- 5,441,118 A \* 8/1995 Cruz, Jr. .... A01B 1/16 172/378
- D368,943 S \* 4/1996 Johnson ..... D21/793
- 5,944,486 A \* 8/1999 Hodgkins, Jr. .... F04D 25/088 403/13
- D421,557 S \* 3/2000 Wang ..... D8/42
- D422,173 S \* 4/2000 He ..... D7/381
- 6,379,032 B1 4/2002 Sorensen
- 6,419,436 B1 \* 7/2002 Gaudron ..... F16B 25/00 411/411
- 6,679,661 B2 \* 1/2004 Huang ..... F16B 13/002 411/178
- D593,141 S \* 5/2009 Gaudron ..... D15/139
- 7,722,299 B2 \* 5/2010 Lenander ..... B23B 51/02 408/144
- D637,871 S \* 5/2011 Frank ..... D7/376
- 7,934,895 B2 \* 5/2011 Ernst ..... F16B 13/002 411/29

(Continued)

**FOREIGN PATENT DOCUMENTS**

FR 712629 10/1931

*Primary Examiner* — Caron D Veynar  
*Assistant Examiner* — Mehri F Bajoul  
(74) *Attorney, Agent, or Firm* — Cooper Legal Group, LLC

(57) **CLAIM**

The ornamental design for a mixer, as shown and described.

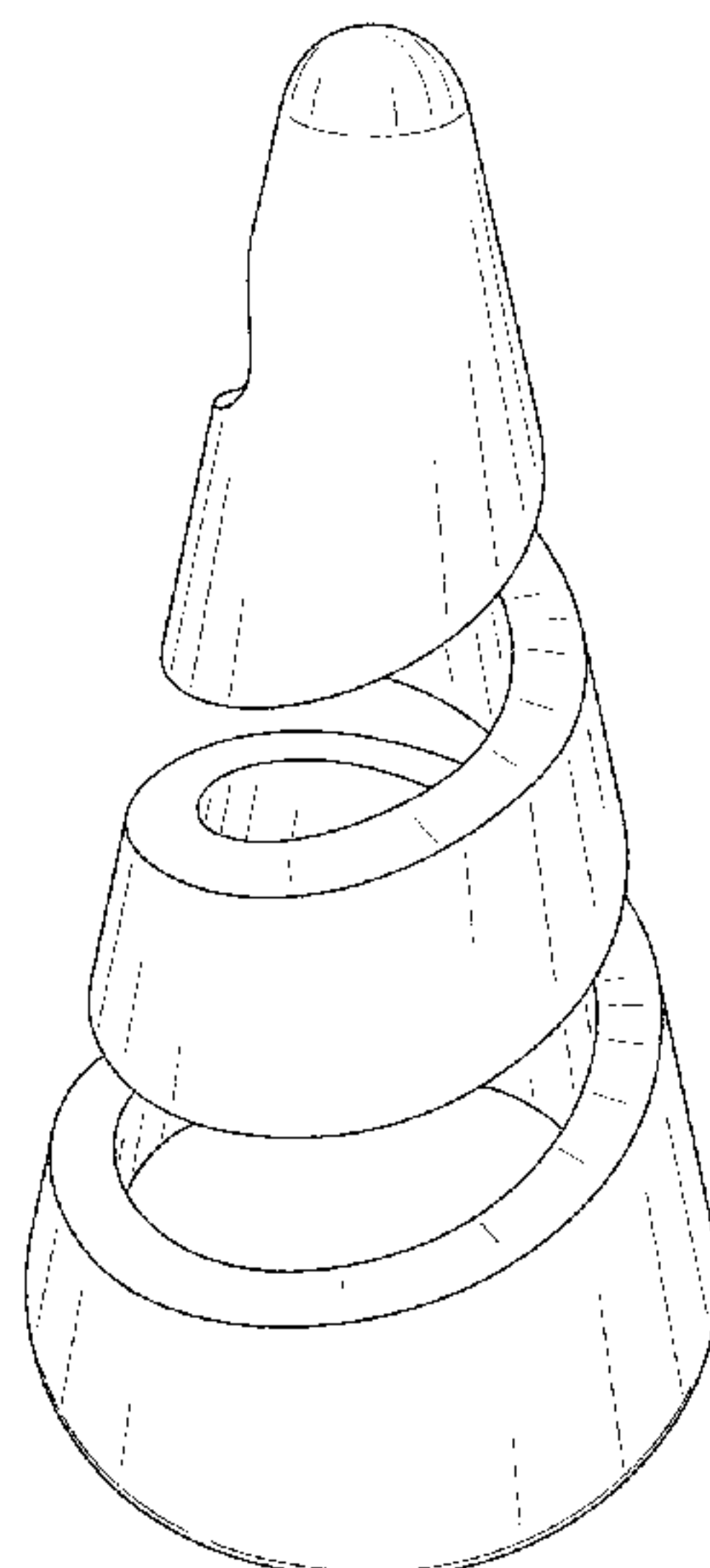
**DESCRIPTION**

FIG. 1 is a front-side perspective view of a mixer, showing the new design.  
FIG. 2 is a front-side view thereof.  
FIG. 3 is a rear-side view thereof.  
FIG. 4 is a right-side view thereof.  
FIG. 5 is a left-side view thereof.  
FIG. 6 is a top-side view thereof; and,  
FIG. 7 is a bottom-side view thereof.

**1 Claim, 4 Drawing Sheets**

(56) **References Cited**  
U.S. PATENT DOCUMENTS

- 1,641,155 A \* 9/1927 Clausing ..... A63B 57/10 473/402
- D247,279 S \* 2/1978 Marceca ..... D8/42
- D294,218 S \* 2/1988 Johnson ..... D8/42
- 4,832,968 A 5/1989 Forage et al.
- 4,892,429 A \* 1/1990 Giannuzzi ..... E04D 3/3603 411/383
- 5,085,431 A \* 2/1992 McGuire ..... A63B 57/10 473/386
- 5,160,225 A \* 11/1992 Chern ..... F16B 13/002 408/203.5



(56)

References Cited

U.S. PATENT DOCUMENTS

D641,587 S \* 7/2011 Colburn ..... D7/376  
8,029,215 B2 \* 10/2011 Gentry ..... B23B 51/009  
408/224  
8,192,123 B2 \* 6/2012 Ernst ..... F16B 25/0026  
411/387.1  
9,248,423 B2 2/2016 Cerasani  
9,587,662 B2 \* 3/2017 Glass ..... F16B 13/002  
2002/0130600 A1 \* 9/2002 Bigio ..... H01K 1/32  
313/26  
2004/0047231 A1 3/2004 Coll  
2005/0031434 A1 \* 2/2005 Gaudron ..... F16B 25/00  
411/412  
2005/0079027 A1 \* 4/2005 Ernst ..... F16B 13/002  
411/44  
2006/0051491 A1 3/2006 Levitt  
2010/0290849 A1 \* 11/2010 Mirchandani ..... B22F 7/062  
408/144  
2012/0195704 A1 \* 8/2012 White ..... B23B 51/0081  
408/224  
2014/0231378 A1 8/2014 Roos  
2014/0363244 A1 \* 12/2014 Allen ..... B23B 51/009  
408/16  
2014/0363249 A1 \* 12/2014 Oka ..... B23B 51/009  
408/224  
2016/0223006 A1 \* 8/2016 Hettich ..... F16B 25/0005

\* cited by examiner

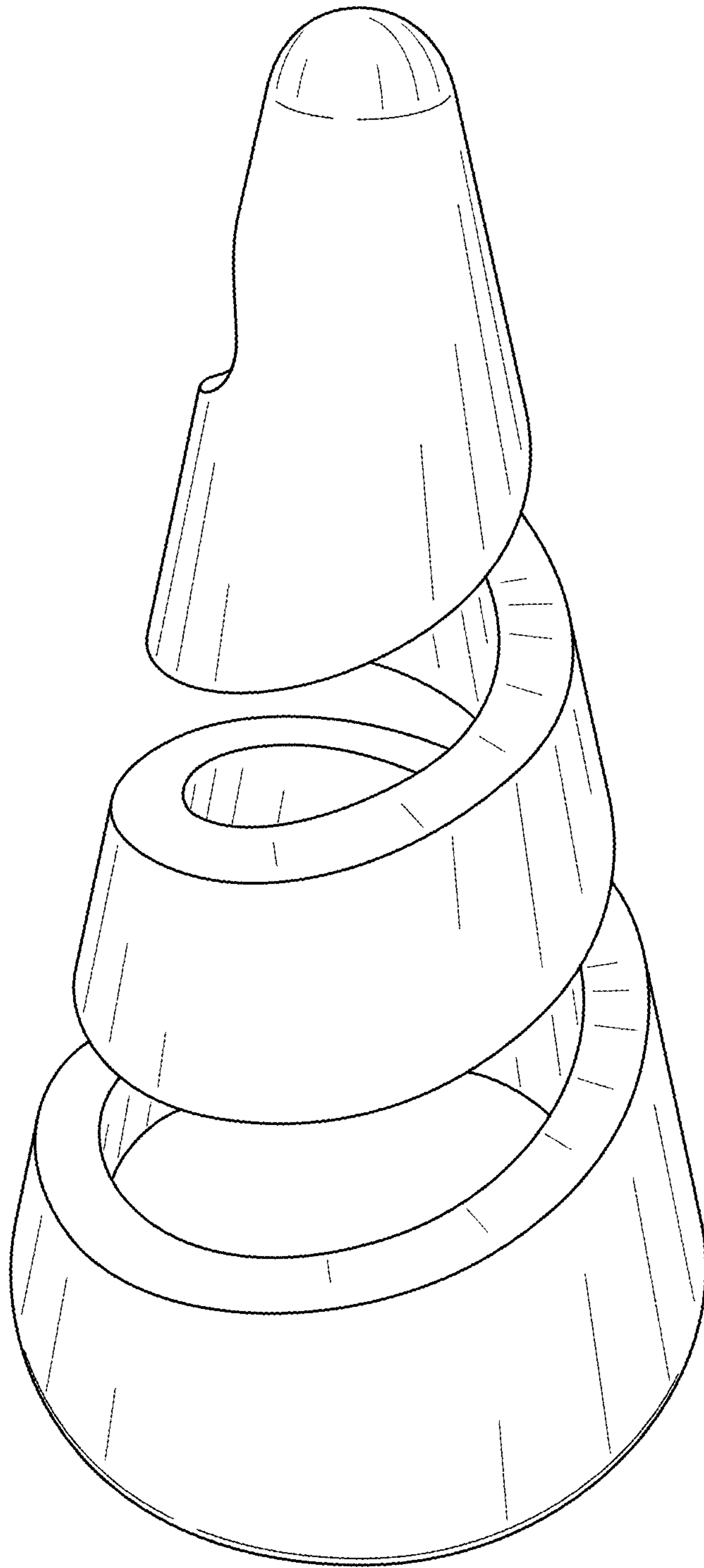


FIG. 1

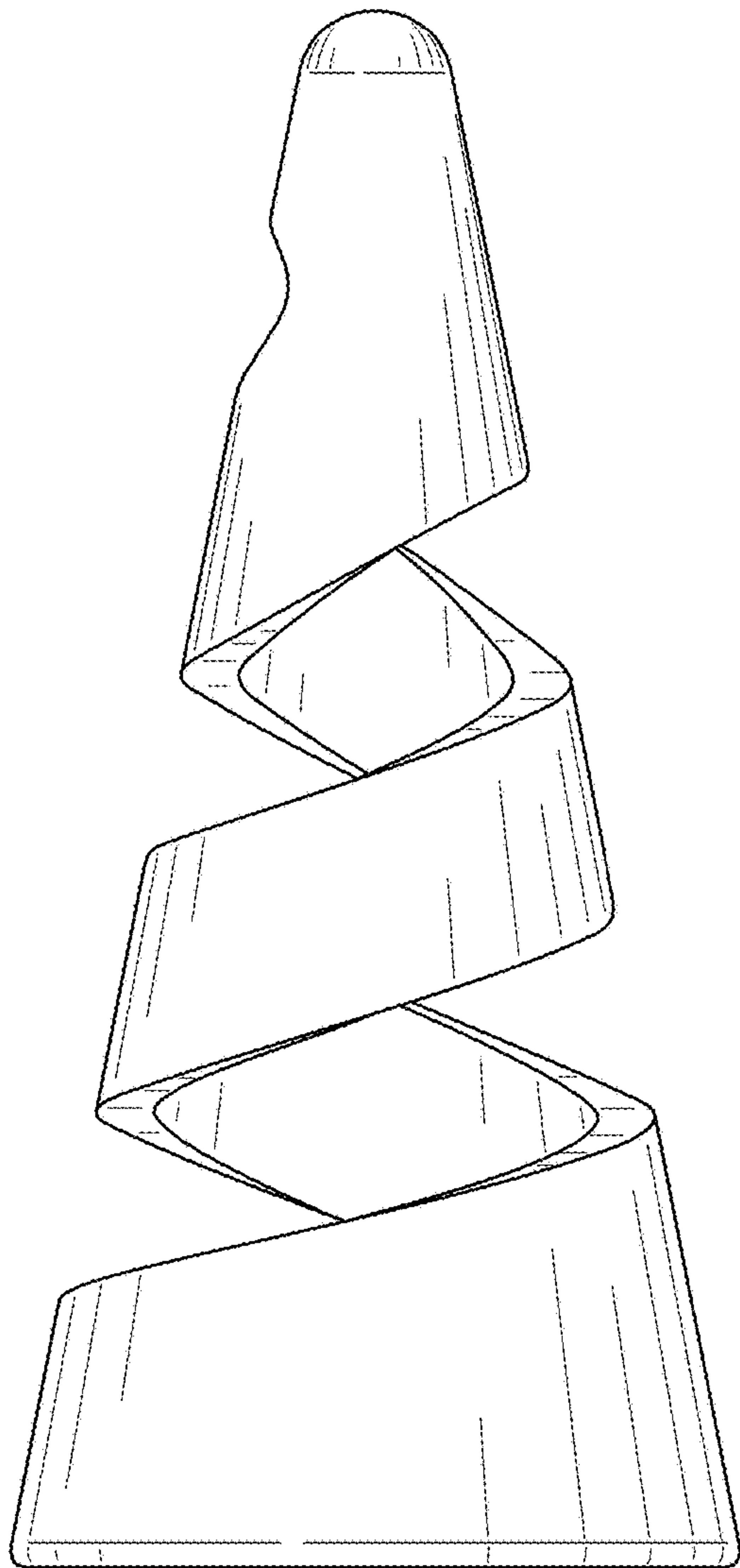


FIG. 2

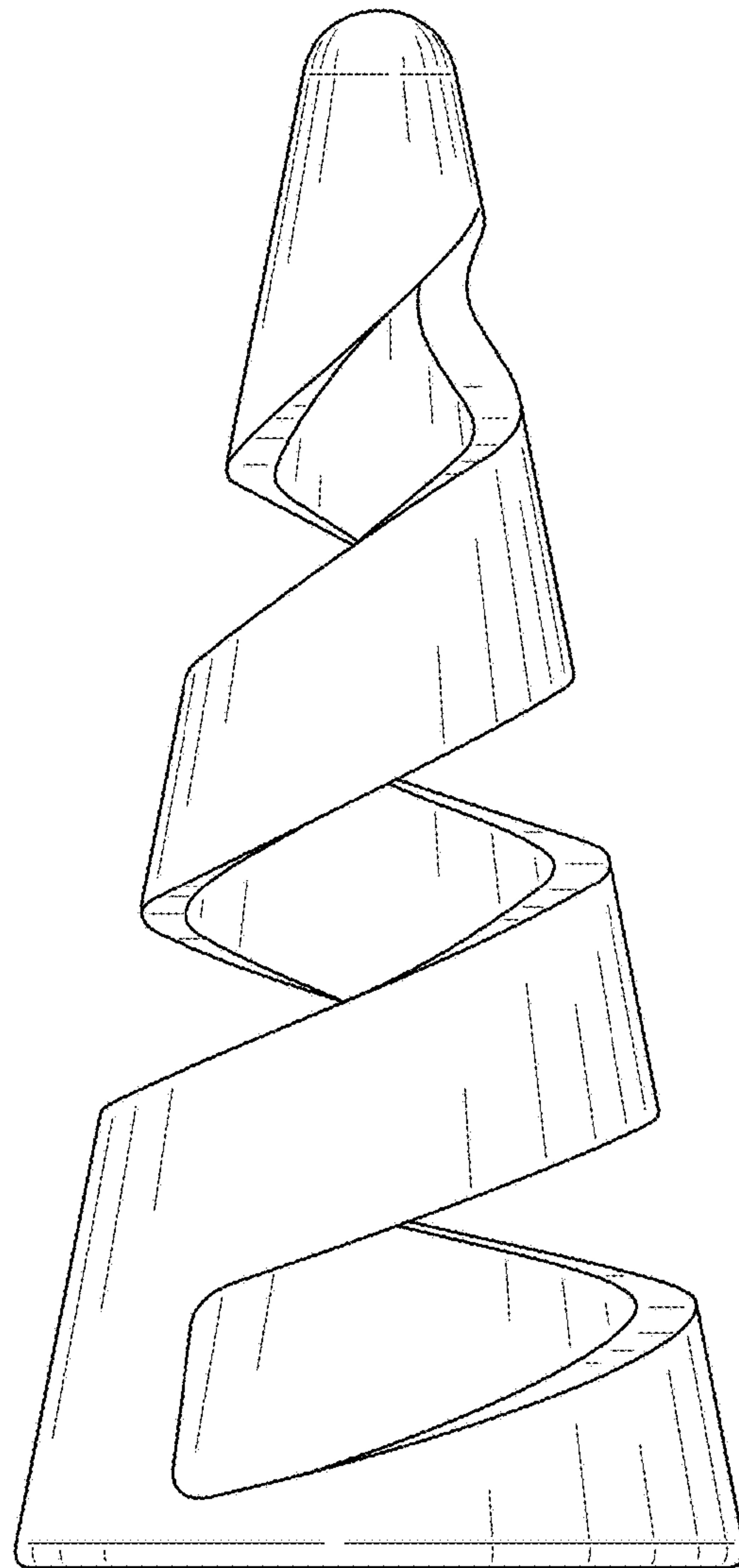


FIG. 3

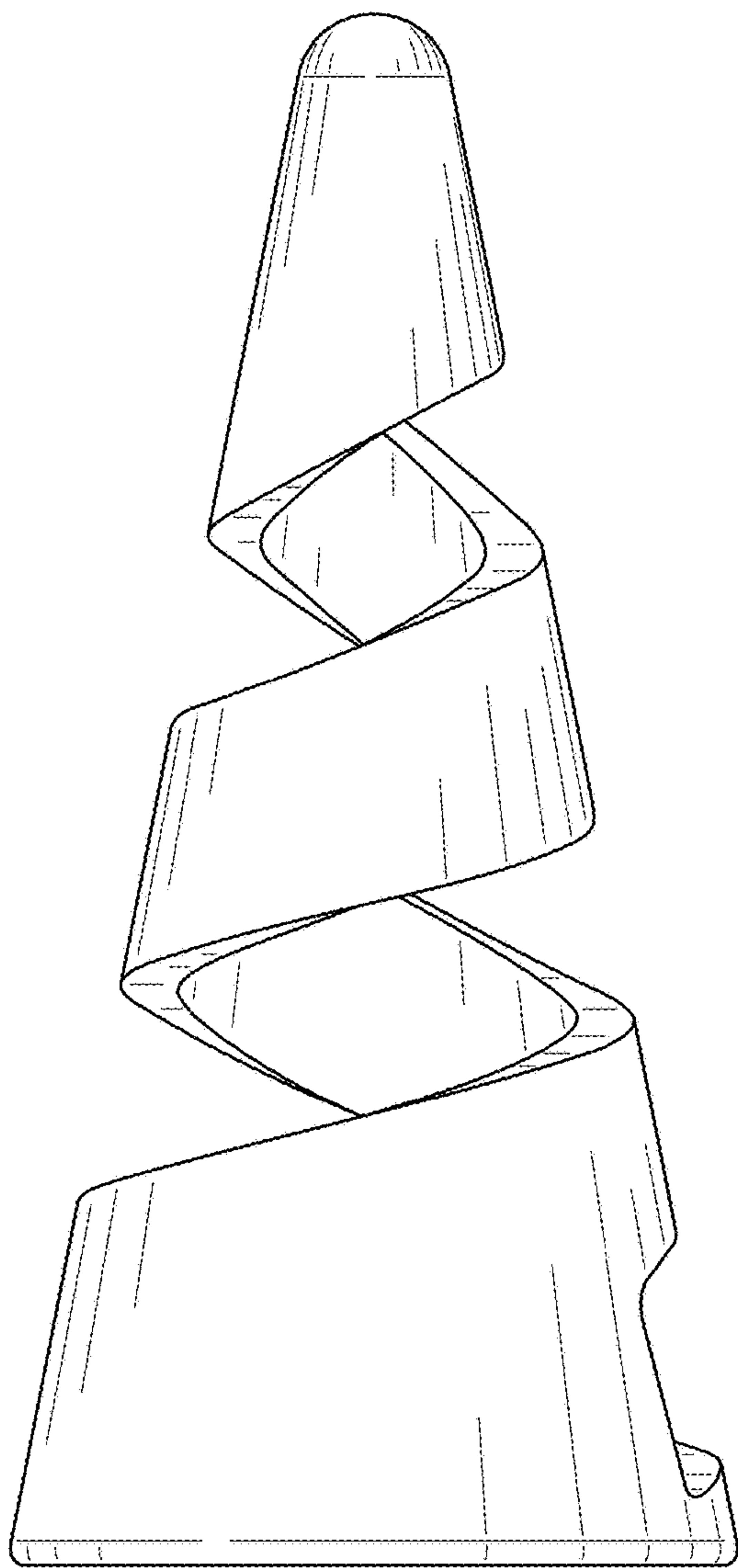


FIG. 4

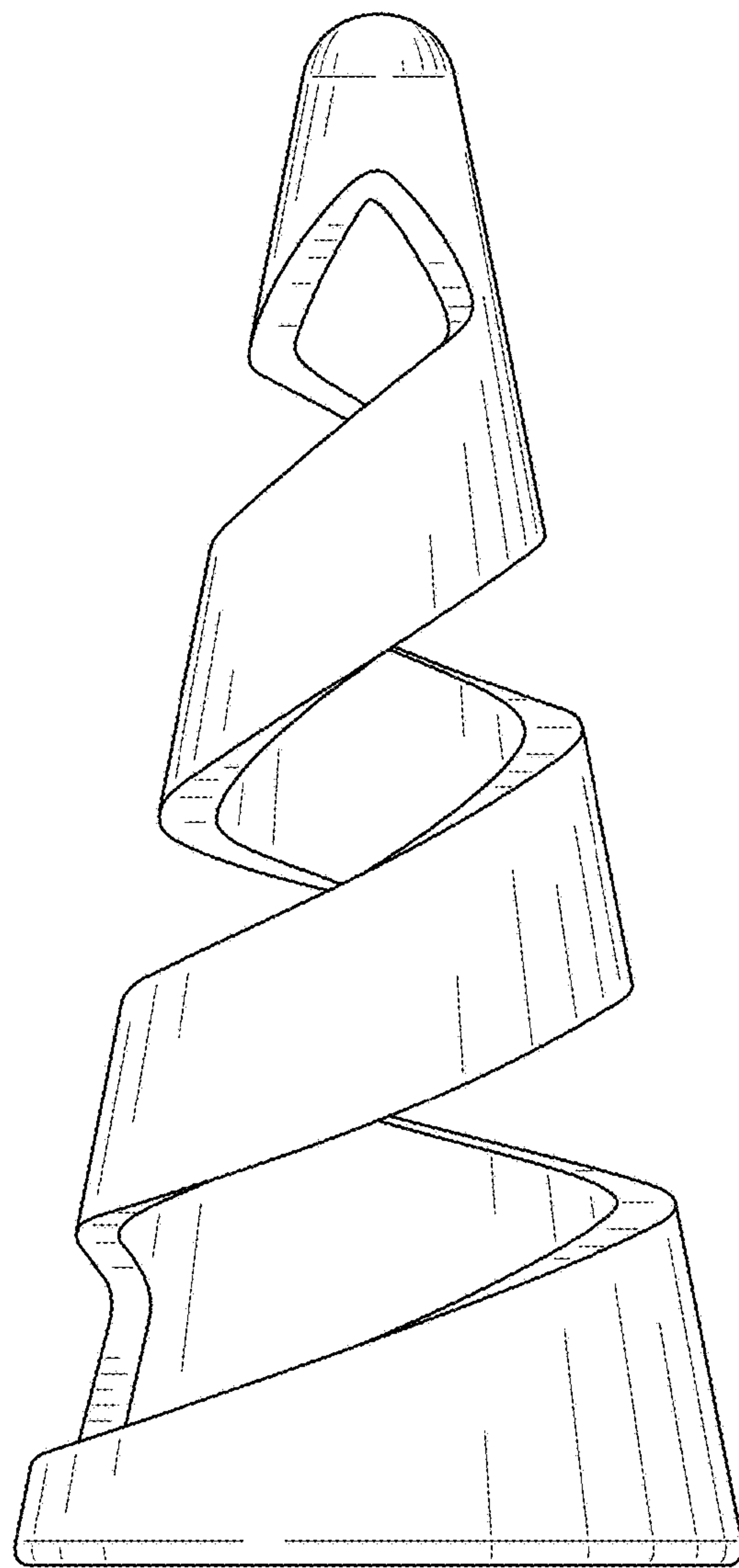


FIG. 5



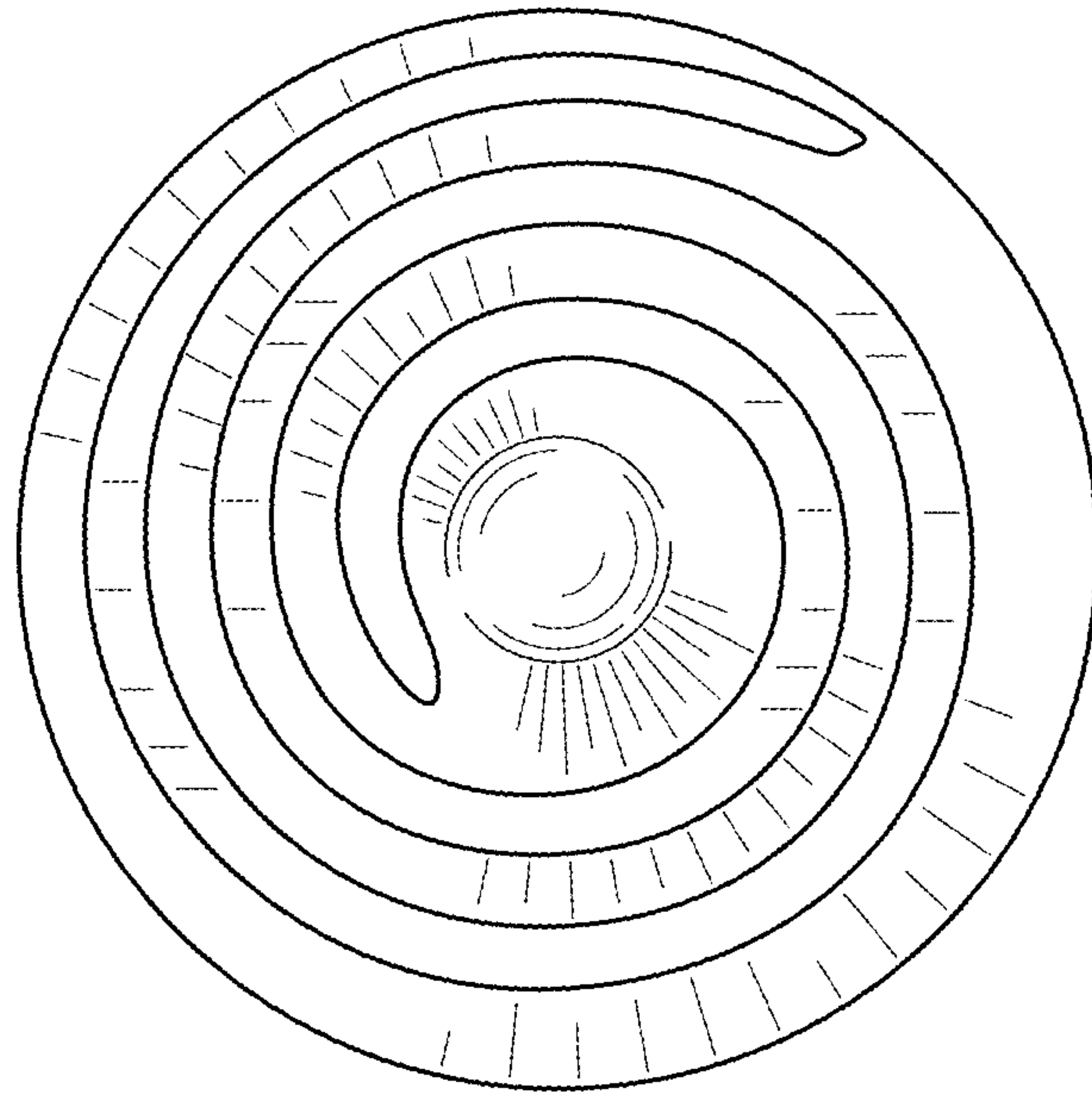


FIG. 6

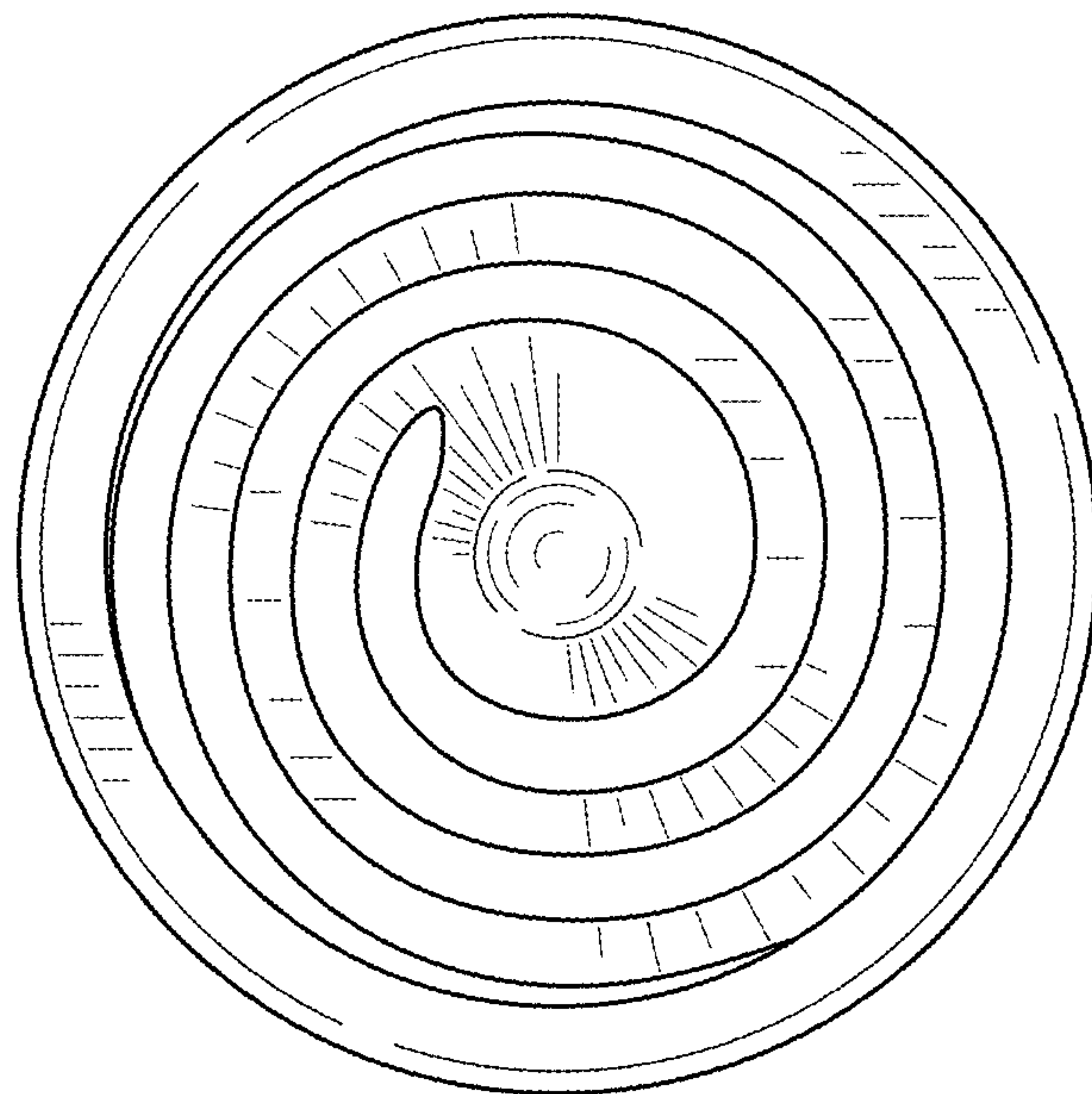


FIG. 7