



US00D814849S

(12) **United States Design Patent**
Lee et al.

(10) **Patent No.:** **US D814,849 S**
(45) **Date of Patent:** **** Apr. 10, 2018**

- (54) **ELECTRIC KETTLE BASE**
- (71) Applicants: **Alexander T. F. Lee**, New York, NY (US); **Davin Stowell**, New York, NY (US); **John Traub**, Brooklyn, NY (US); **Brett Andler**, Needham, MA (US); **Alex Wastney**, Auckland (NZ)
- (72) Inventors: **Alexander T. F. Lee**, New York, NY (US); **Davin Stowell**, New York, NY (US); **John Traub**, Brooklyn, NY (US); **Brett Andler**, Needham, MA (US); **Alex Wastney**, Auckland (NZ)
- (73) Assignee: **HELEN OF TROY LIMITED**, St. Michael (BB)

D399,090 S *	10/1998	Green	D7/318
D463,947 S *	10/2002	Choi	D7/317
D479,091 S *	9/2003	Glucksman	D7/317
D482,925 S *	12/2003	Yuen	D7/317
D498,383 S *	11/2004	Chang	D7/305
D544,288 S *	6/2007	Berlencourt	D7/317
D598,696 S *	8/2009	Bodum	D7/317
D599,161 S *	9/2009	Friel, Sr.	D7/317
D611,288 S *	3/2010	Bodum	D7/305
D627,587 S *	11/2010	Dahlstrom	D7/317
D628,426 S *	12/2010	Hoare	D7/317
D658,925 S *	5/2012	Horimoto	D7/317
D683,182 S *	5/2013	de Klein	D7/397
D683,584 S *	6/2013	Gross	D7/321
D686,878 S *	7/2013	Grasselli	D7/397
D718,974 S *	12/2014	De'Longhi	D7/317
D731,226 S *	6/2015	Sun	D7/316
D738,669 S *	9/2015	Brook	D7/317

(Continued)

(**) Term: **15 Years**

Primary Examiner — Caron D Veynar
Assistant Examiner — Mehri F Bajoul

(21) Appl. No.: **29/569,763**

(22) Filed: **Jun. 30, 2016**

(51) **LOC (11) Cl.** **07-02**

(52) **U.S. Cl.**
USPC **D7/367**; D7/317; D7/399

(58) **Field of Classification Search**
USPC D7/323, 328-330, 334, 336-349, 352, D7/362, 363, 390, 402-406; D21/523-525
CPC A21B 2/00; A23L 3/0155; A23N 12/10; A47J 33/00; A47J 37/042; A47J 37/047; A47J 37/049; A47J 37/0763; A47J 37/041; A47J 37/0704; A47J 37/00; A47J 37/04; A47J 37/06; A47J 37/067; A47J 37/0605; A47J 37/0611; A47J 37/0623; A47J 37/0629; A47J 37/0676
See application file for complete search history.

(57) **CLAIM**

The ornamental design for an electric kettle base, as shown, and described.

DESCRIPTION

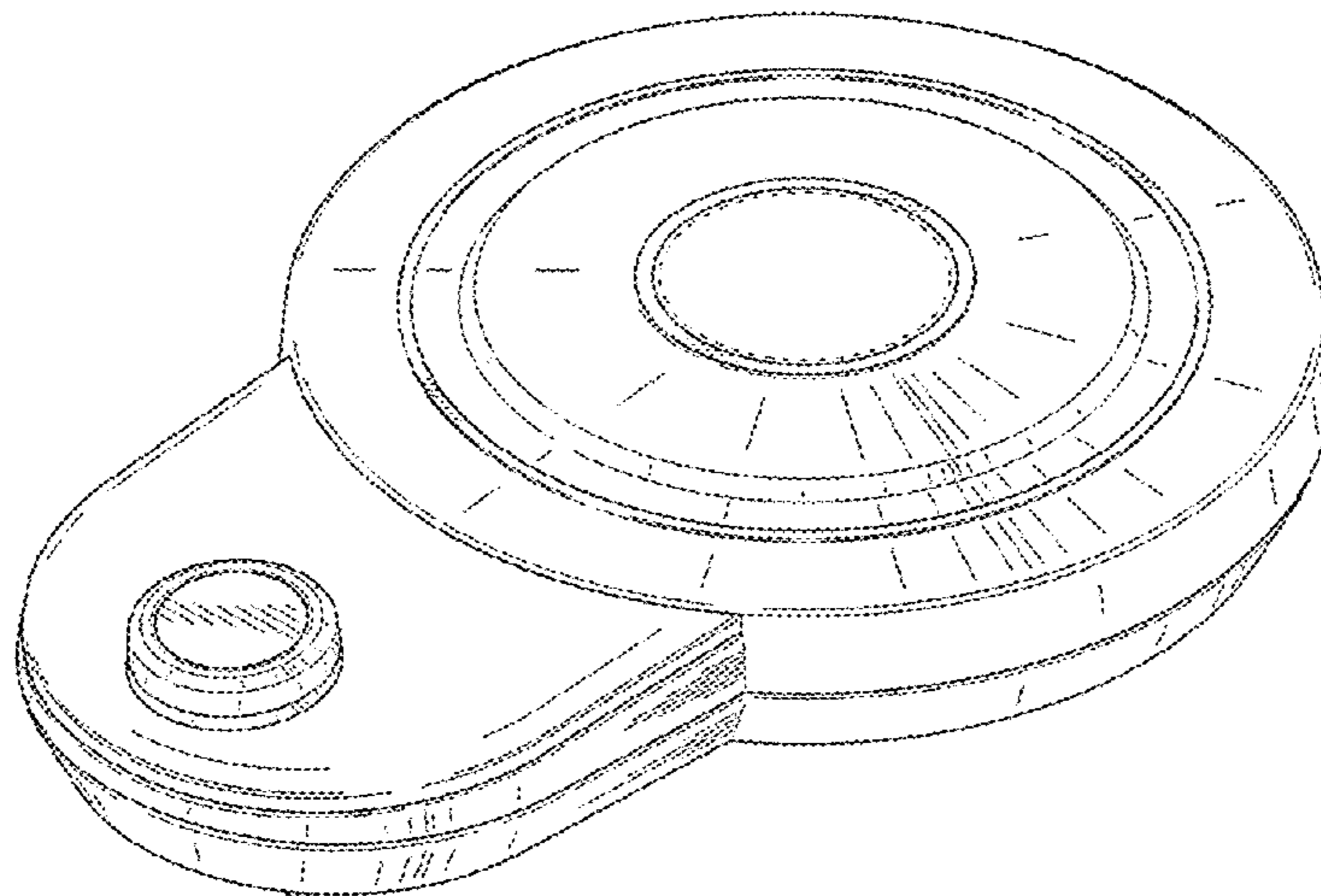
FIG. 1 is a perspective view of the electric kettle base; FIG. 2 is a top view thereof; FIG. 3 is a bottom view thereof; FIG. 4 is a front view thereof; FIG. 5 is a rear view thereof; FIG. 6 is a left side view thereof; FIG. 7 is a right side view thereof; and, FIG. 8 is a perspective view thereof in a use environment. The broken lines in the drawing views represent unclaimed portions of the electric kettle base, which forms no part of the claimed design. Further, the kettle shown in a use environment forms no part of the claimed design.

(56) **References Cited**

U.S. PATENT DOCUMENTS

D249,863 S *	10/1978	Fischer	D7/363
D326,982 S *	6/1992	Schreder	D7/407

1 Claim, 8 Drawing Sheets



(56)

References Cited

U.S. PATENT DOCUMENTS

D745,302 S	*	12/2015	Anglada	D7/305
D747,130 S	*	1/2016	Kunz	D7/317
D760,022 S	*	6/2016	Garvey	D7/367
D779,259 S	*	2/2017	De' Longhi	D7/317
D784,063 S	*	4/2017	Bond	D7/317

* cited by examiner

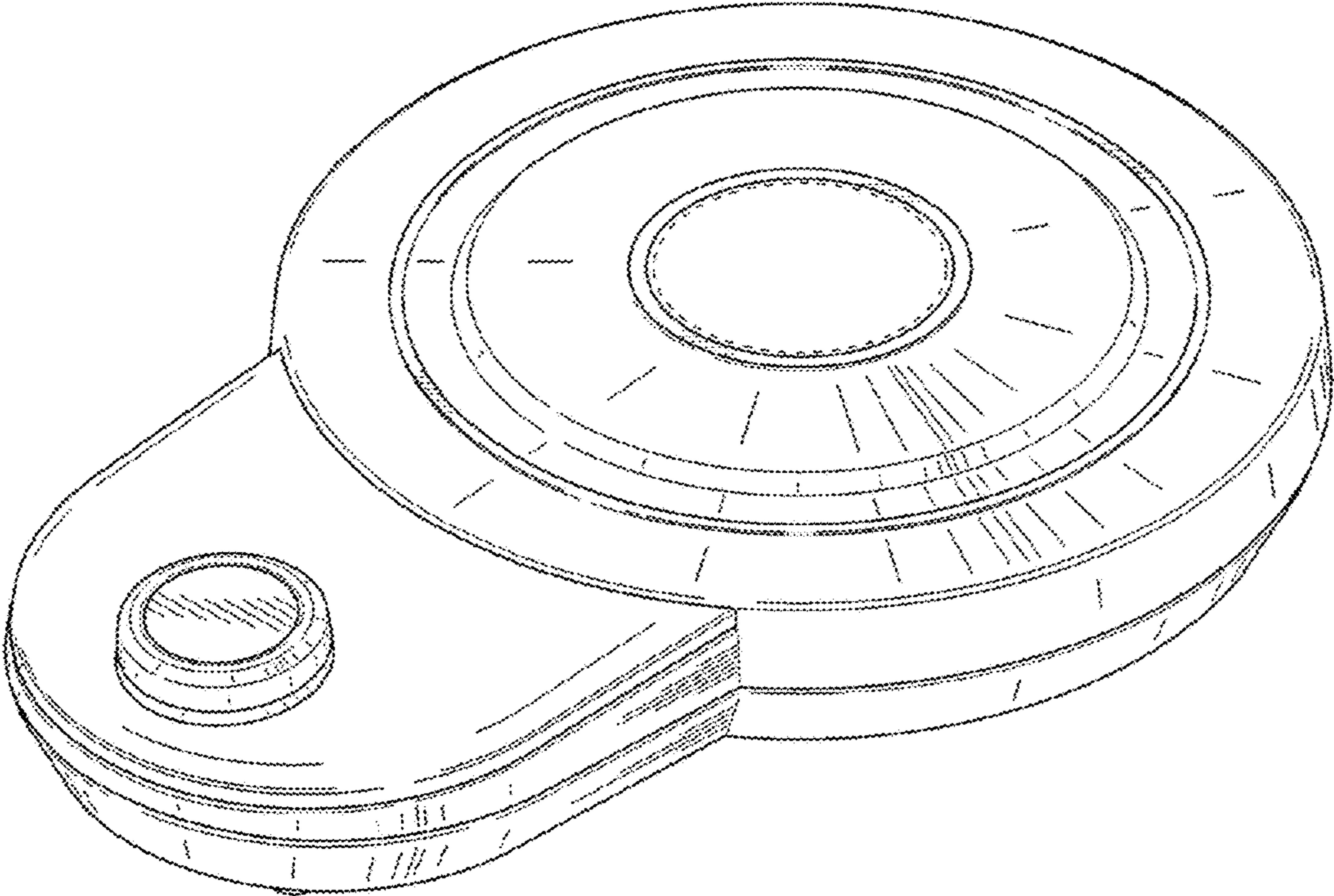


FIG. 1

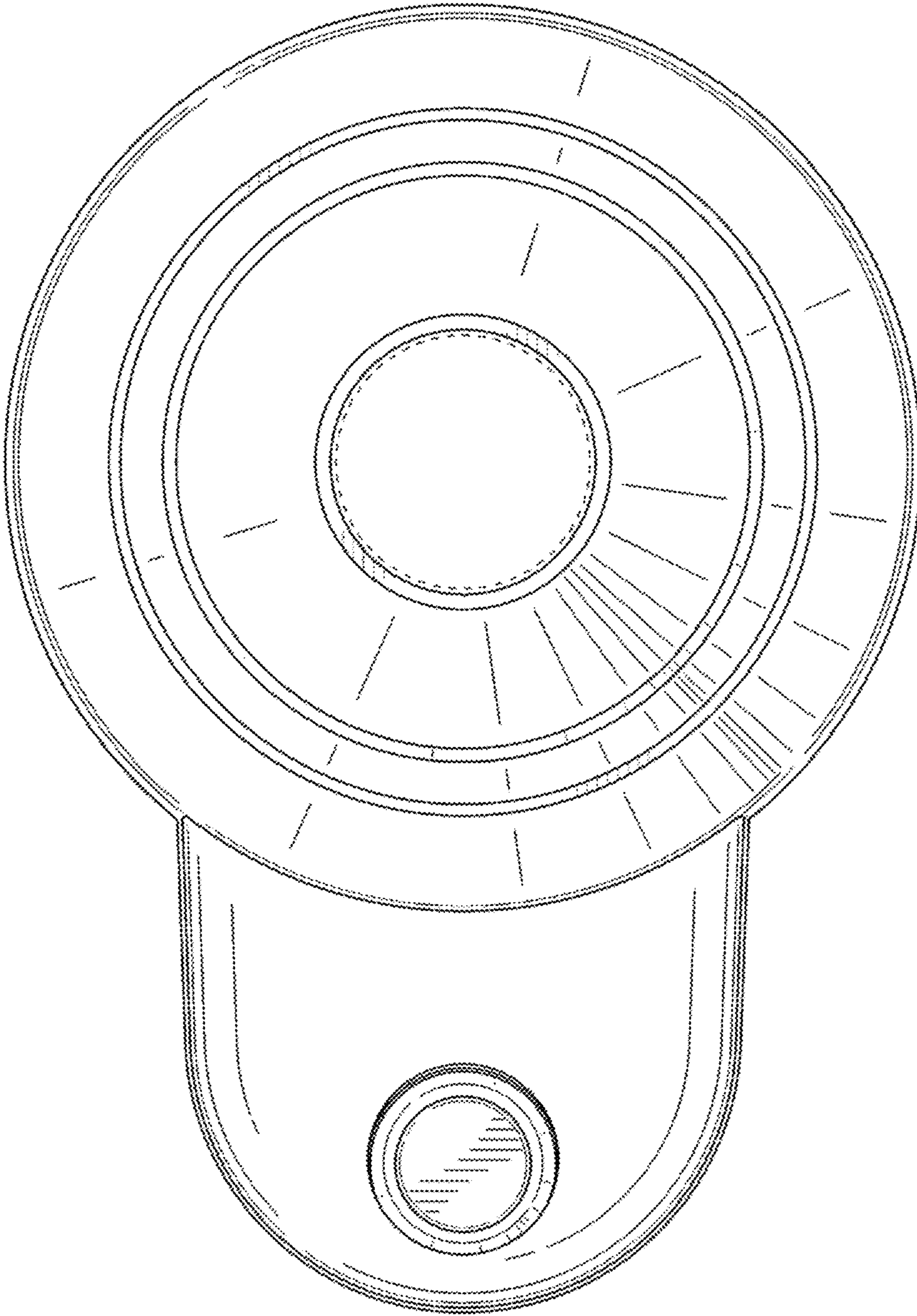


FIG. 2

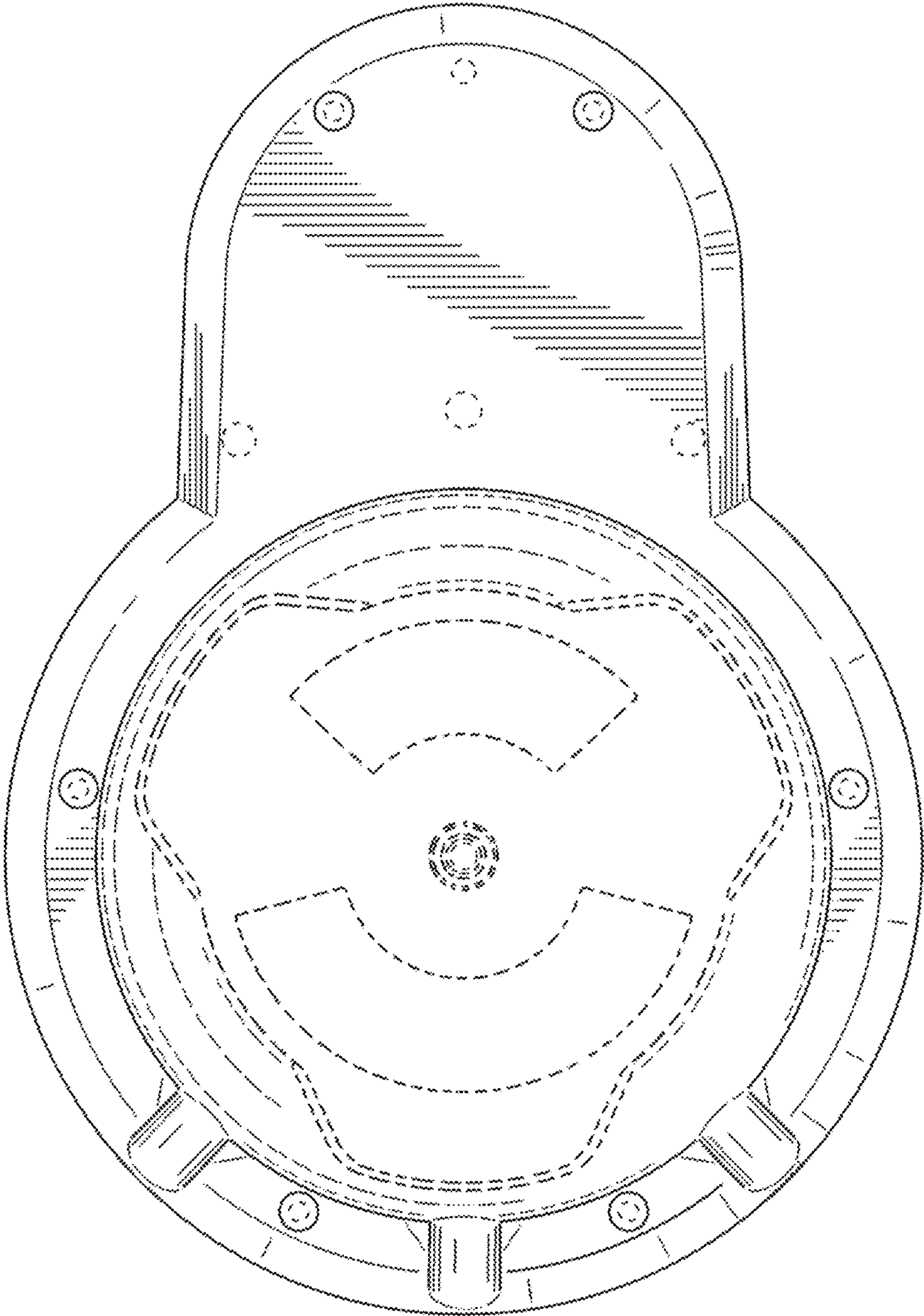


FIG. 3

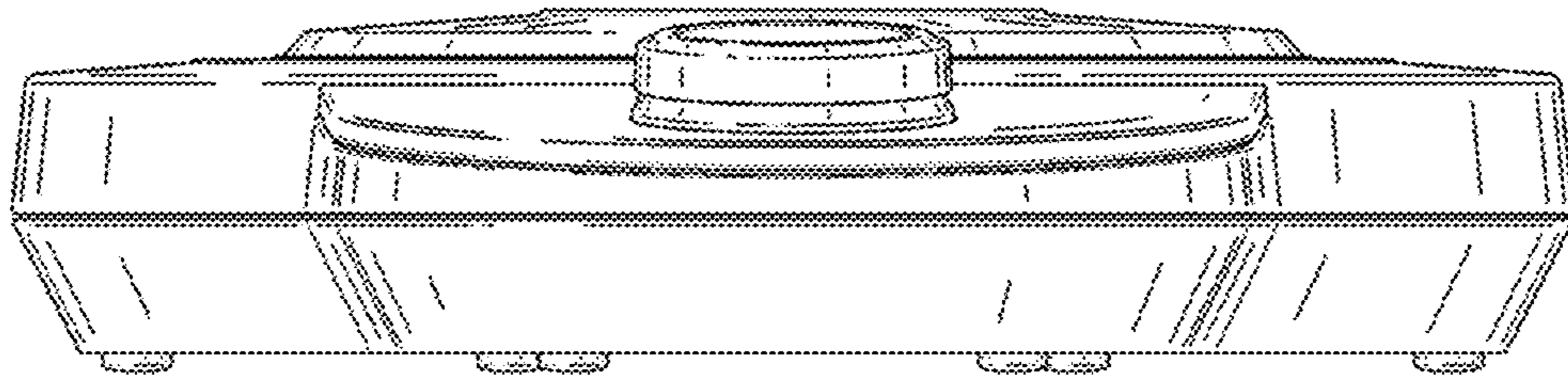


FIG. 4

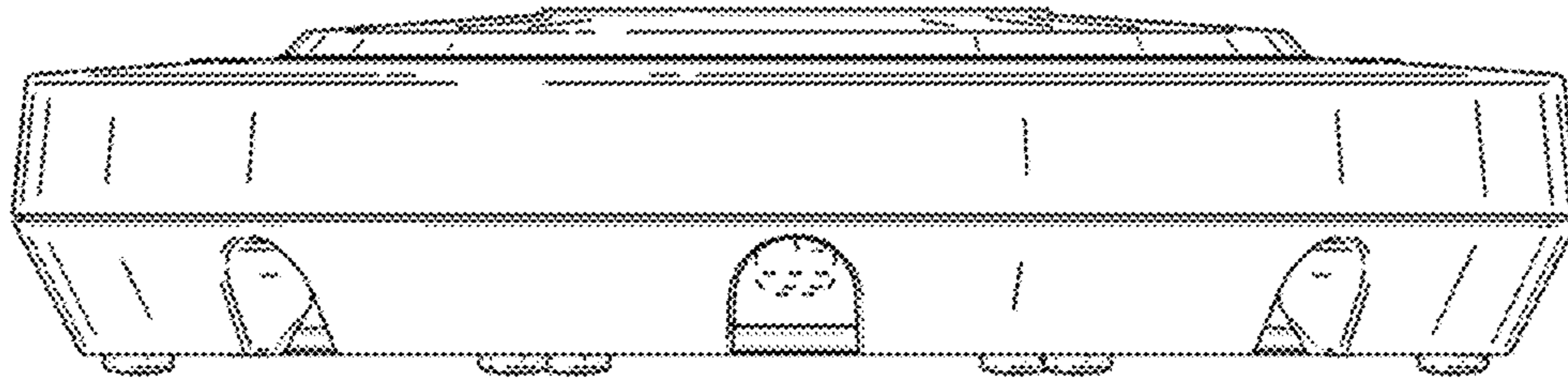


FIG. 5

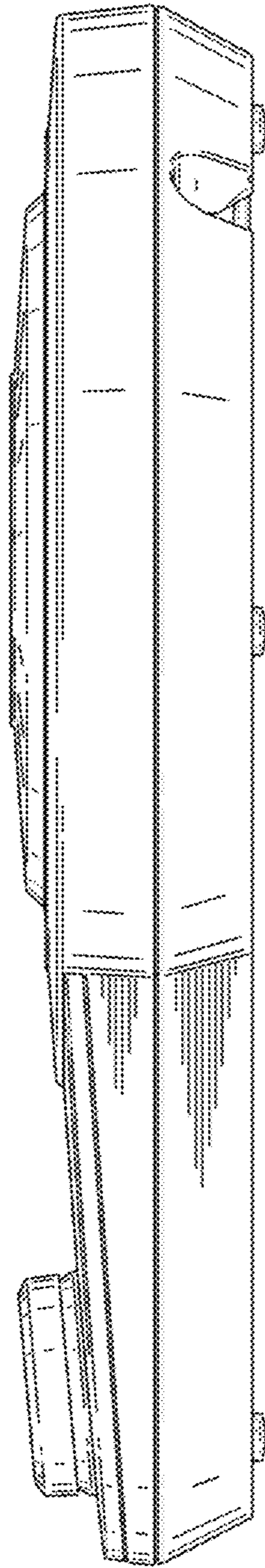


FIG. 6

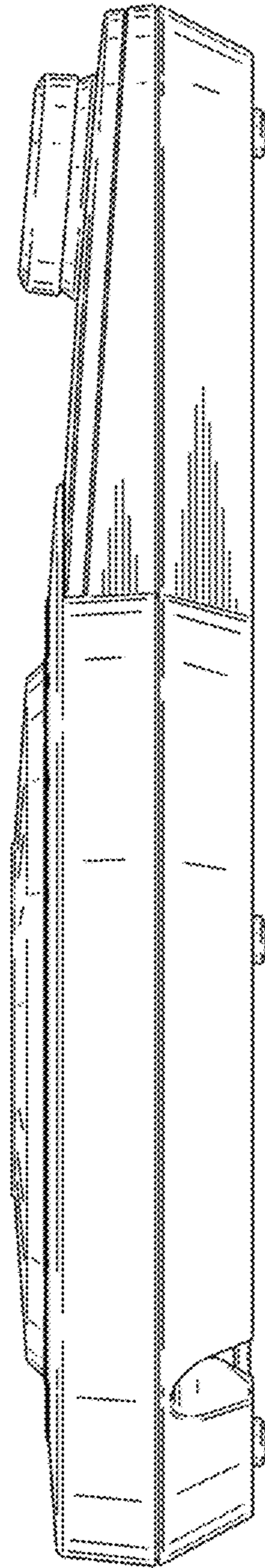


FIG. 7

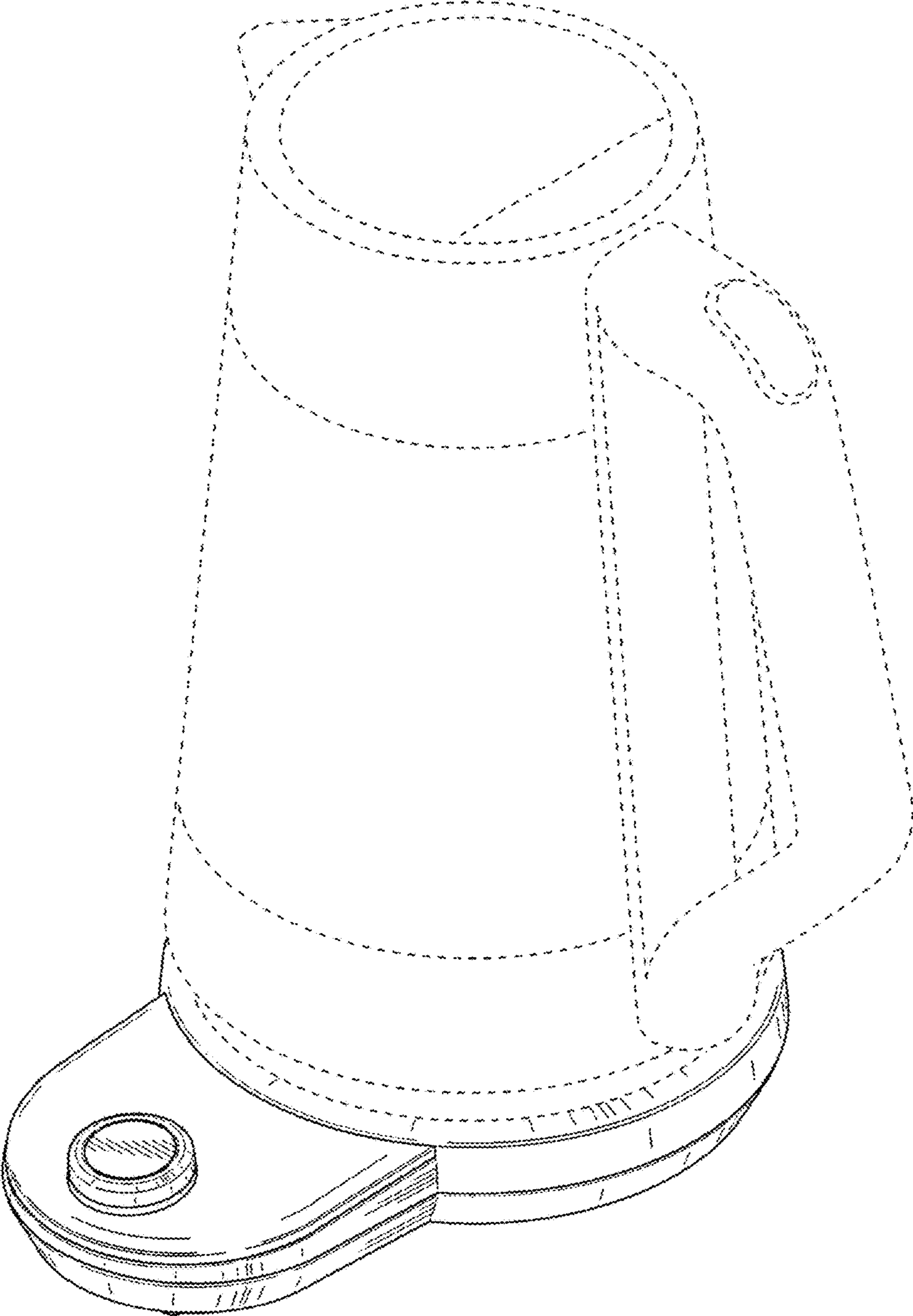


FIG. 8