



US00D814848S

(12) **United States Design Patent**
Bassill et al.

(10) **Patent No.:** **US D814,848 S**
(45) **Date of Patent:** **** Apr. 10, 2018**

(54) **INDUCTION APPLIANCE**

(71) Applicant: **HATCO CORPORATION**,
Milwaukee, WI (US)

(72) Inventors: **Brandon Bassill**, Malibu, CA (US);
Nick Bassill, Malibu, CA (US); **Mark
Gilpatric**, Milwaukee, WI (US); **Hans
Wildebush**, Milwaukee, WI (US);
Michael Whiteley, Waukesha, WI (US);
Kelly Wright, Ringwood, IL (US);
John Scanlon, Sturgeon Bay, WI (US)

(73) Assignee: **HATCO CORPORATION**,
Milwaukee, WI (US)

(**) Term: **15 Years**

(21) Appl. No.: **29/550,719**

(22) Filed: **Jan. 6, 2016**

(51) **LOC (11) Cl.** **07-02**

(52) **U.S. Cl.**
USPC **D7/367**; D7/362; D7/363

(58) **Field of Classification Search**
USPC D7/323, 328-330, 337, 347, 352-364,
D7/367, 402, 407, 409-411
CPC . A21B 5/023; A47J 27/60; A47J 27/62; A47J
37/04; A47J 37/06; A47J 37/067; A47J
37/0605; A47J 37/0611; A47J 37/0623;
A47J 37/0629; A47J 37/0676; A47J
2037/06; A47J 2037/0611; F24C 15/10;
F24C 15/102; H05B 6/02; H05B 6/062;
H05B 6/1227

See application file for complete search history.

(56) **References Cited**

U.S. PATENT DOCUMENTS

D139,751 S 12/1944 Springwell
D187,835 S 5/1960 Lee

D195,657 S 7/1963 Sullivan
D229,448 S 11/1973 Tractlet
D230,390 S 2/1974 Tyke
D236,183 S 8/1975 Greger
D249,864 S 10/1978 Mackay
4,145,603 A 3/1979 Mackay
D261,849 S 11/1981 Funaki
D285,523 S 9/1986 Ayukawa
D289,130 S 4/1987 Rengeji
D289,847 S 5/1987 Okamoto
D296,509 S 7/1988 Fuke

(Continued)

Primary Examiner — Ricky Pham

(74) *Attorney, Agent, or Firm* — Ryan Kromholz &
Manion, S.C.

(57) **CLAIM**

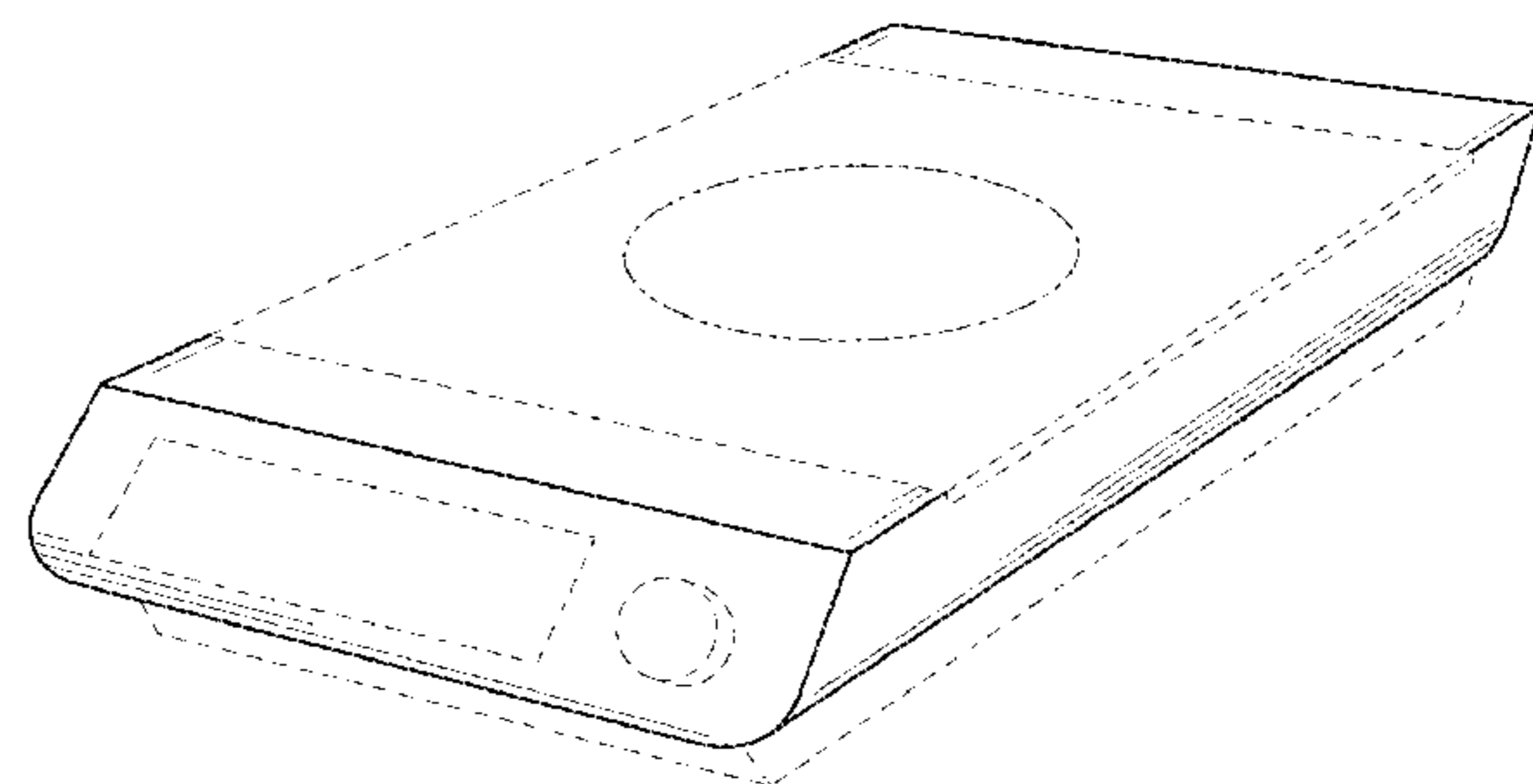
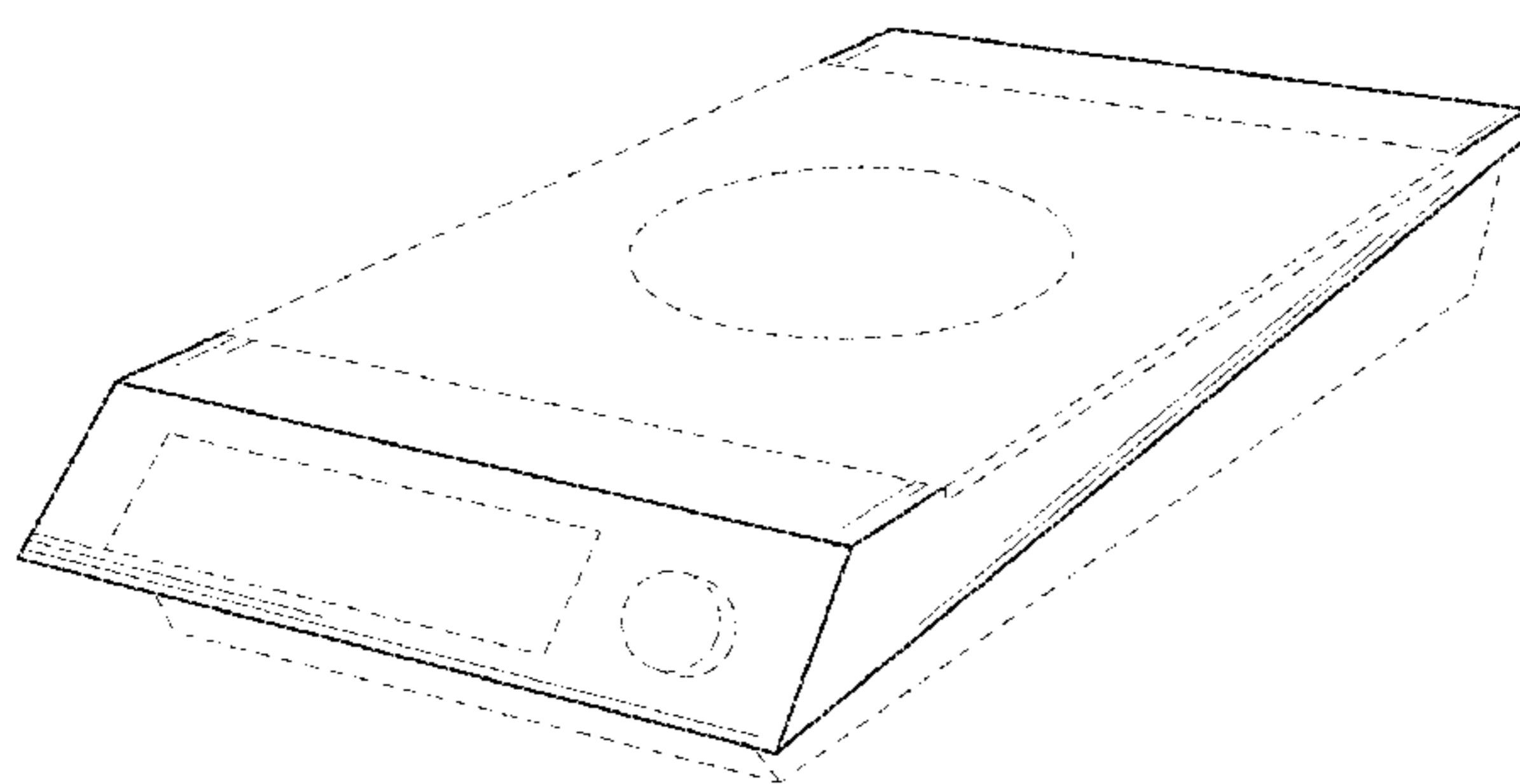
The ornamental design for an induction appliance, as shown
and described.

DESCRIPTION

FIG. 1 is a perspective view of a first embodiment of the
induction appliance;
FIG. 2 is a front elevation view thereof;
FIG. 3 is a rear elevation view thereof;
FIG. 4 is a right side elevation view thereof;
FIG. 5 is a left side elevation view thereof;
FIG. 6 is a top plan view thereof;
FIG. 7 is a bottom plan view thereof;
FIG. 8 is a perspective view of another embodiment of the
induction appliance;
FIG. 9 is a front elevation view thereof;
FIG. 10 is a rear elevation view thereof;
FIG. 11 is a right side elevation view thereof;
FIG. 12 is a left side elevation view thereof;
FIG. 13 is a top plan view thereof; and,
FIG. 14 is a bottom plan view thereof.

The broken lines shown in the drawings are for illustrative
purposes only and form no part of the claimed design.

1 Claim, 4 Drawing Sheets



(56)

References Cited

U.S. PATENT DOCUMENTS

D326,387	S	5/1992	Monitto	
D341,987	S *	12/1993	Erickson	D7/323
5,687,642	A *	11/1997	Chao	H05B 6/1227 219/624
5,740,723	A	4/1998	Lin	
6,087,637	A	7/2000	Fischer	
D438,423	S	3/2001	Bassill	
D483,224	S	12/2003	Clark	
D501,117	S	1/2005	Bassill	
D503,067	S	3/2005	Lubowicki	
D533,016	S *	12/2006	Genslak	D7/363
D575,098	S	8/2008	Seymour	
D580,701	S *	11/2008	Wojcik	D7/367
D621,205	S *	8/2010	Yeung	D7/367
D643,674	S *	8/2011	Lee	D7/362
D644,867	S *	9/2011	Janvier	D7/362
D686,036	S *	7/2013	Nelson	D7/407
D696,549	S *	12/2013	Pennington	D7/363
D745,802	S *	12/2015	Yao	D7/352
D751,855	S *	3/2016	Bassill	D7/362
D755,560	S *	5/2016	Day	D7/352
2006/0163242	A1 *	7/2006	Ciancimino	A47J 37/0676 219/450.1

* cited by examiner

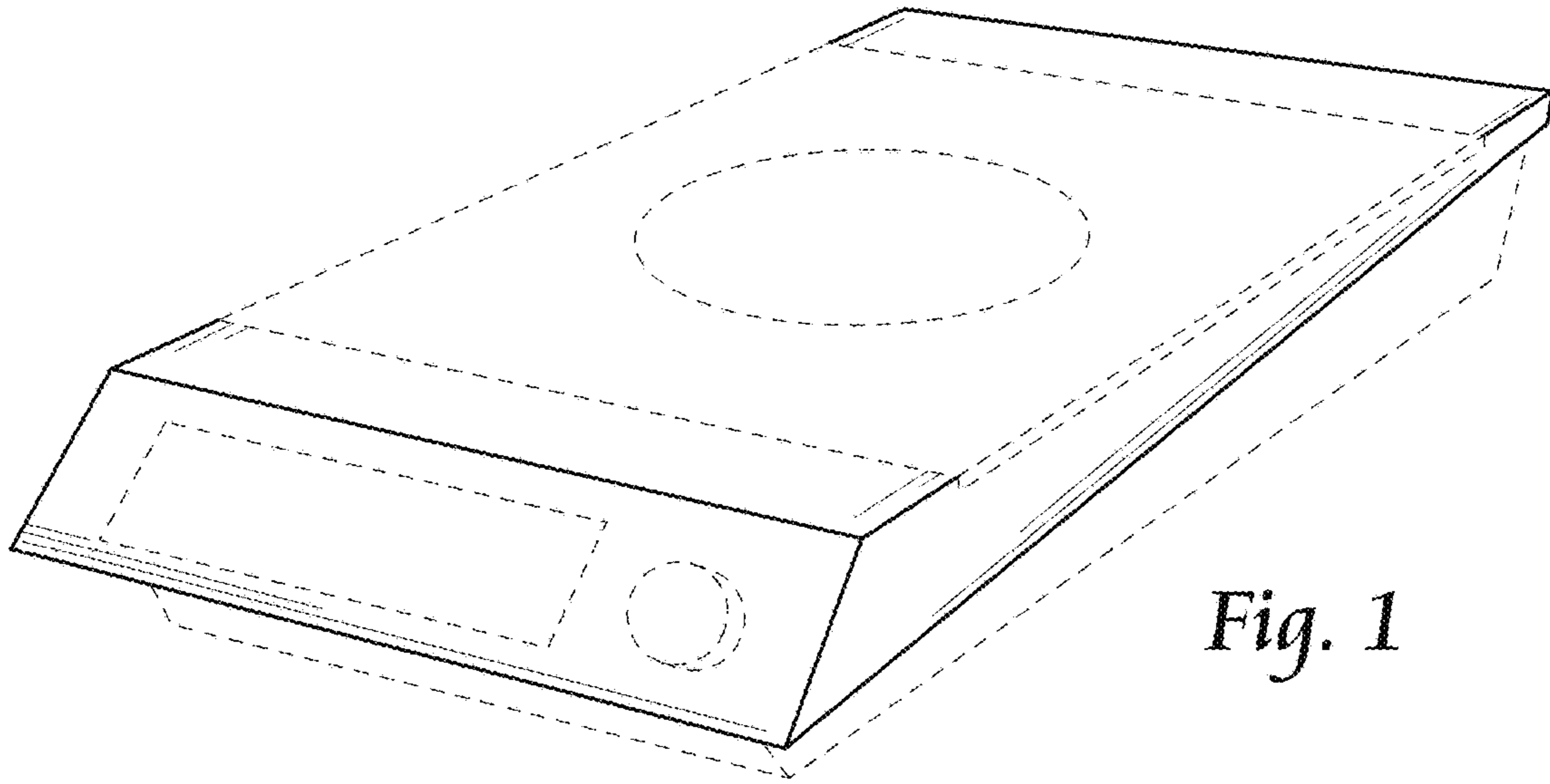


Fig. 1

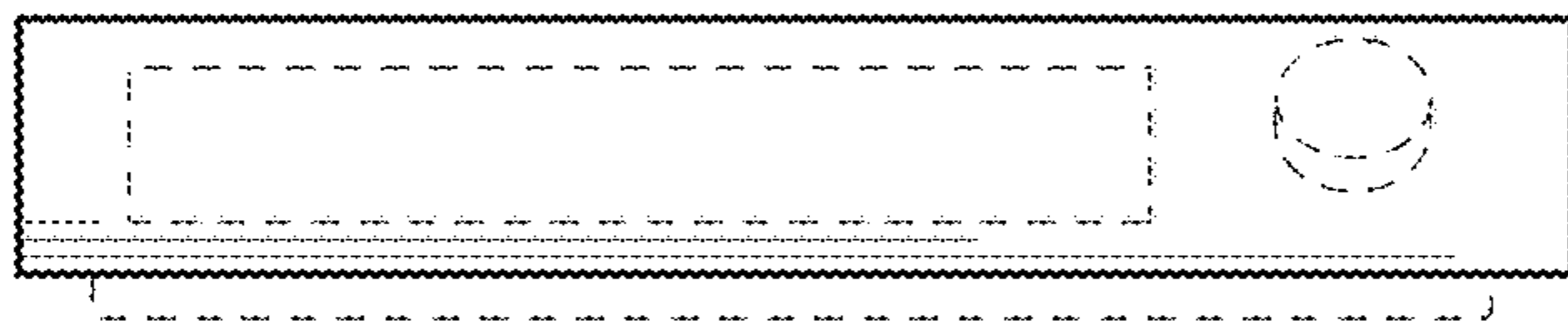


Fig. 2

Fig. 3

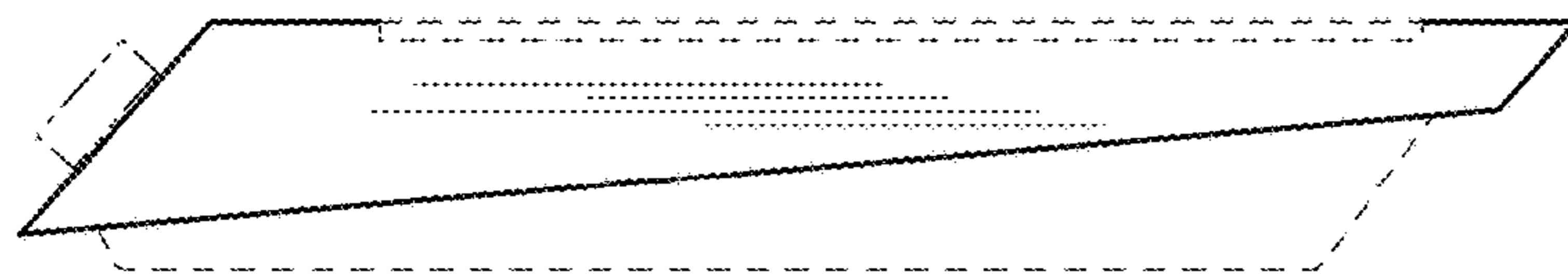
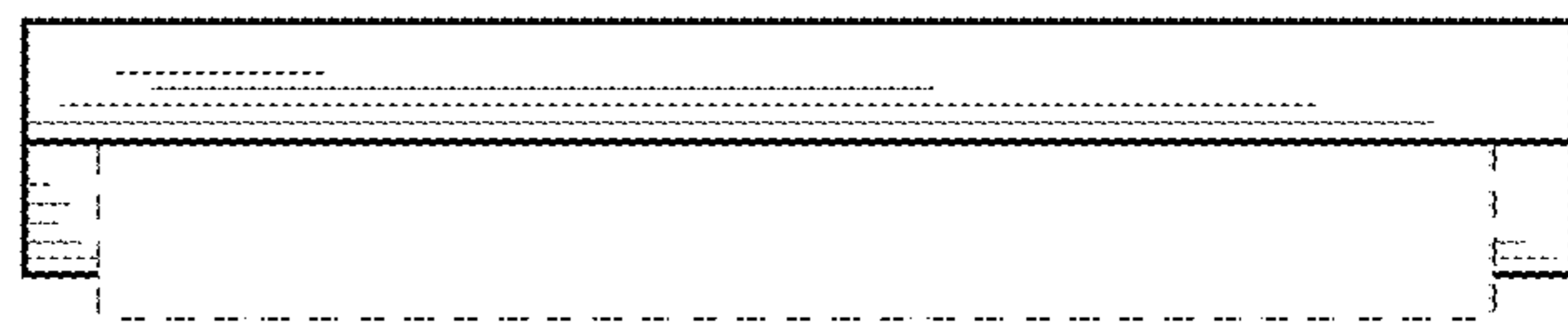


Fig. 4

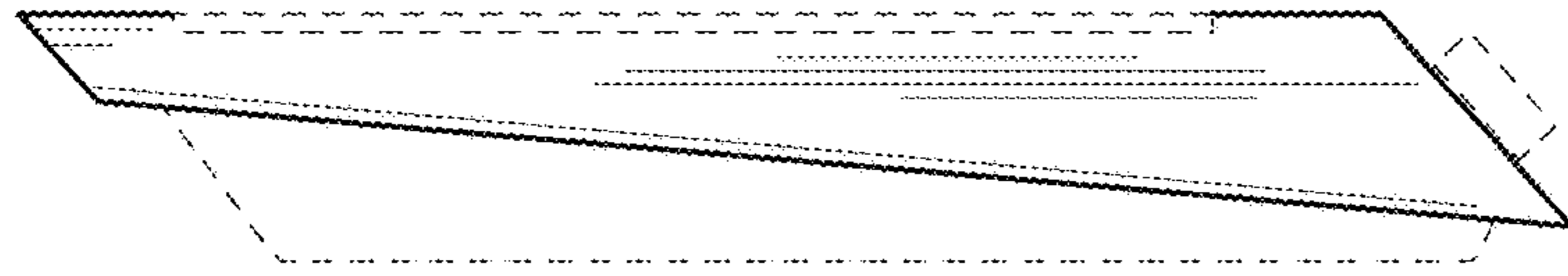


Fig. 5

Fig. 6

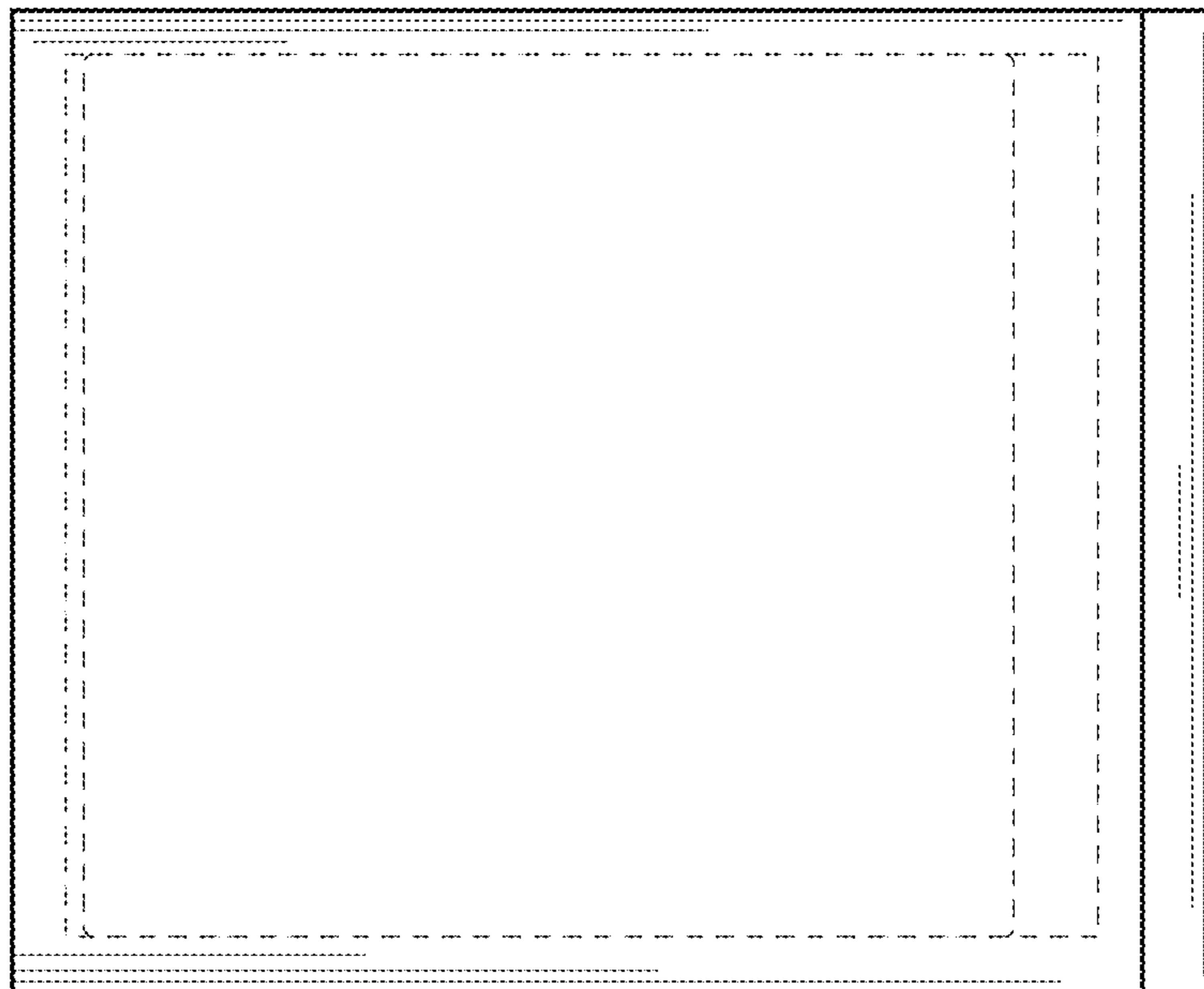
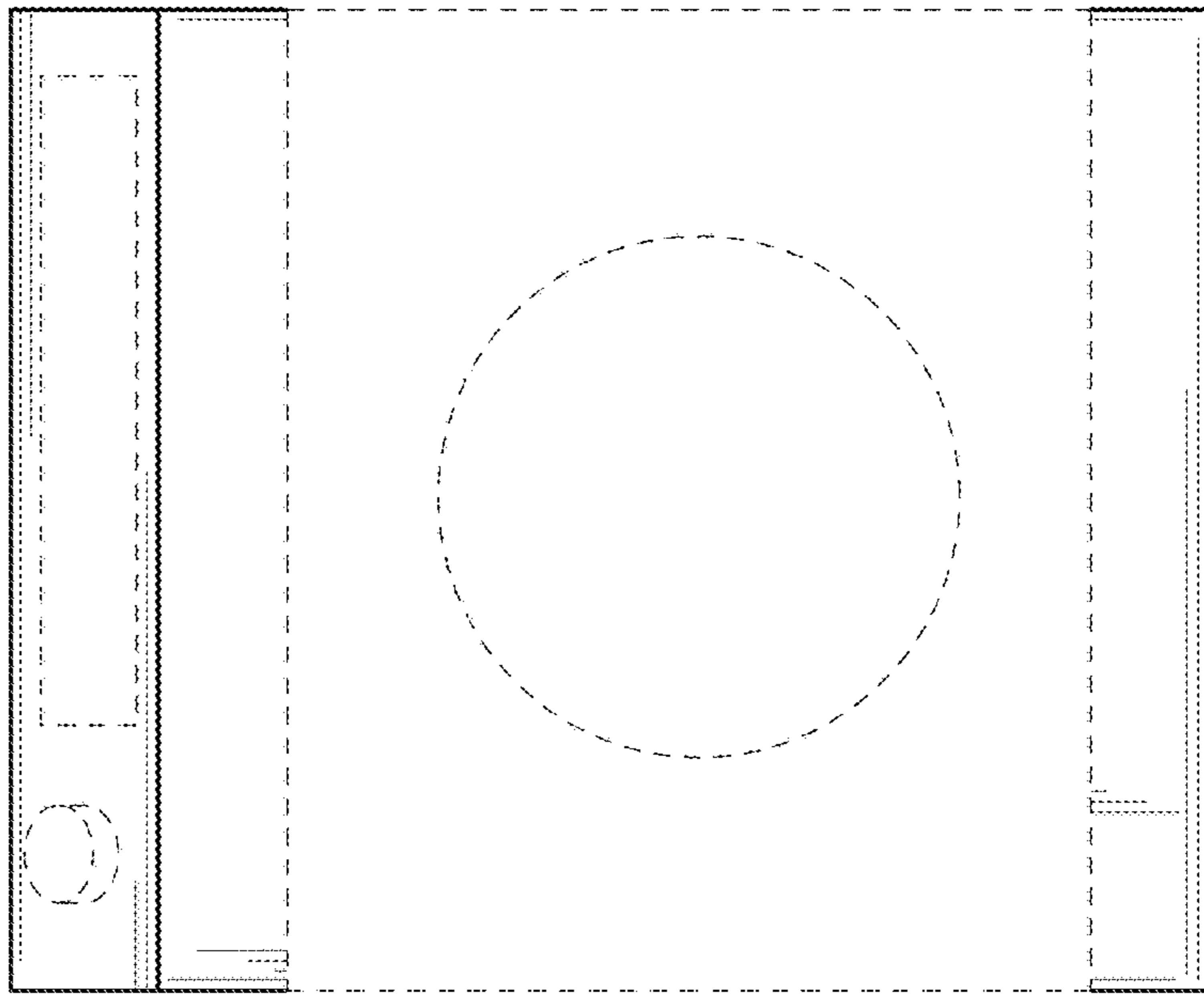


Fig. 7

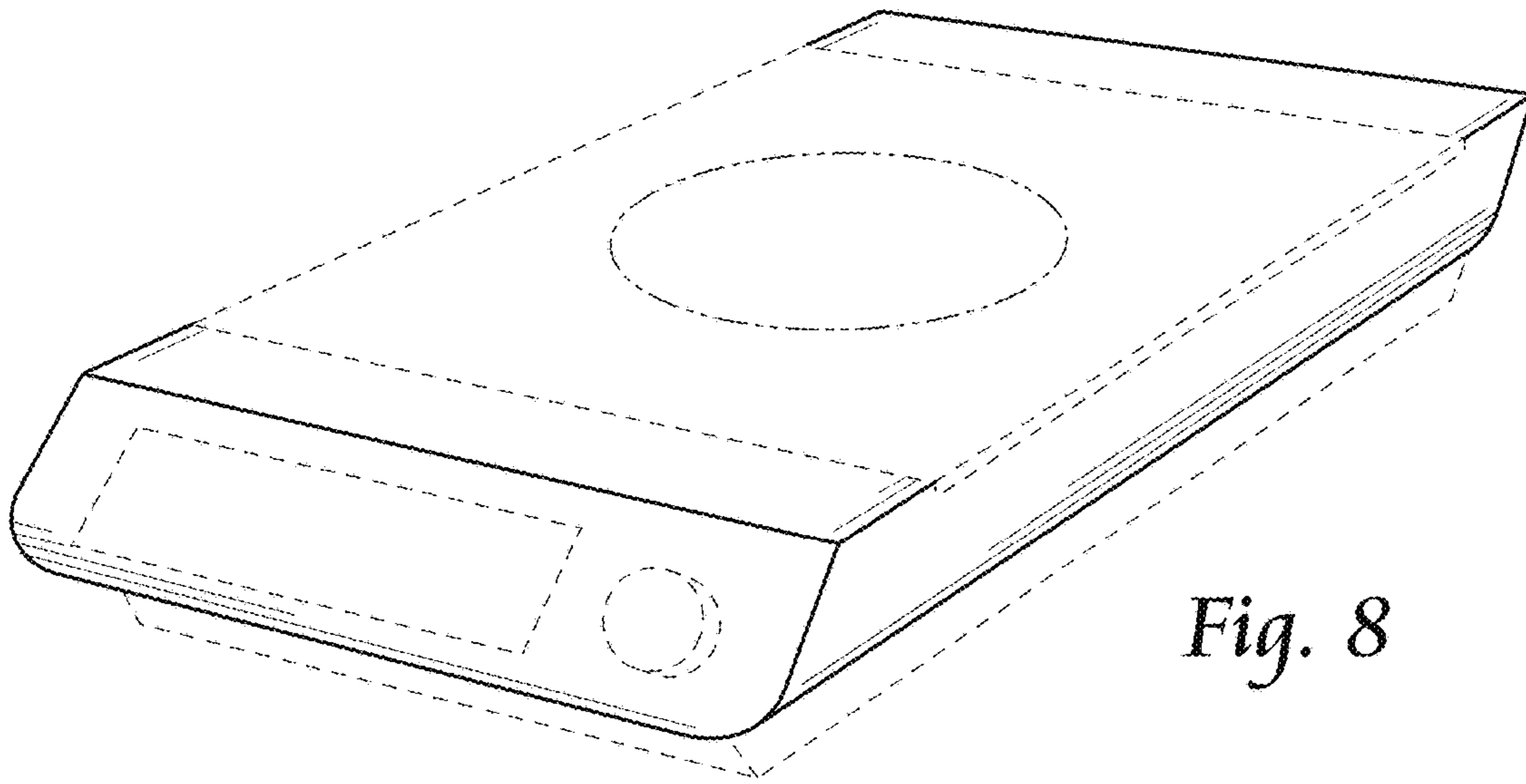


Fig. 8

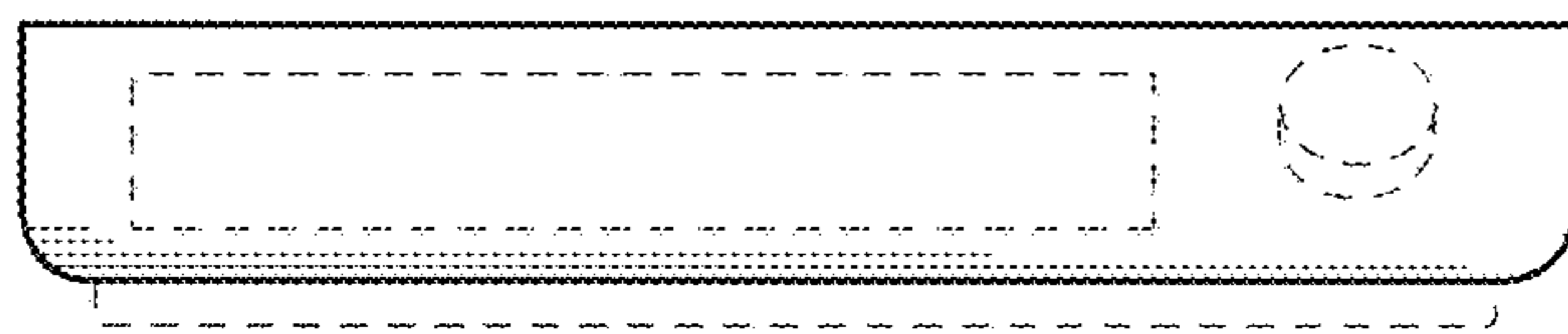


Fig. 9

Fig. 10

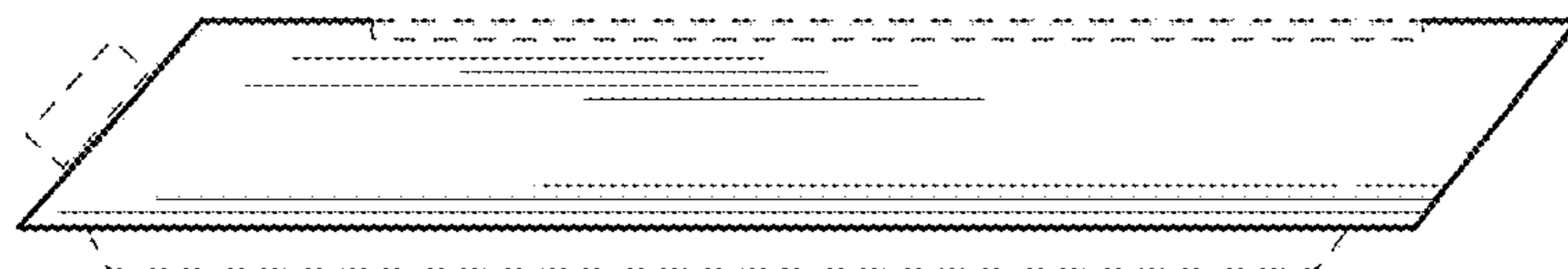
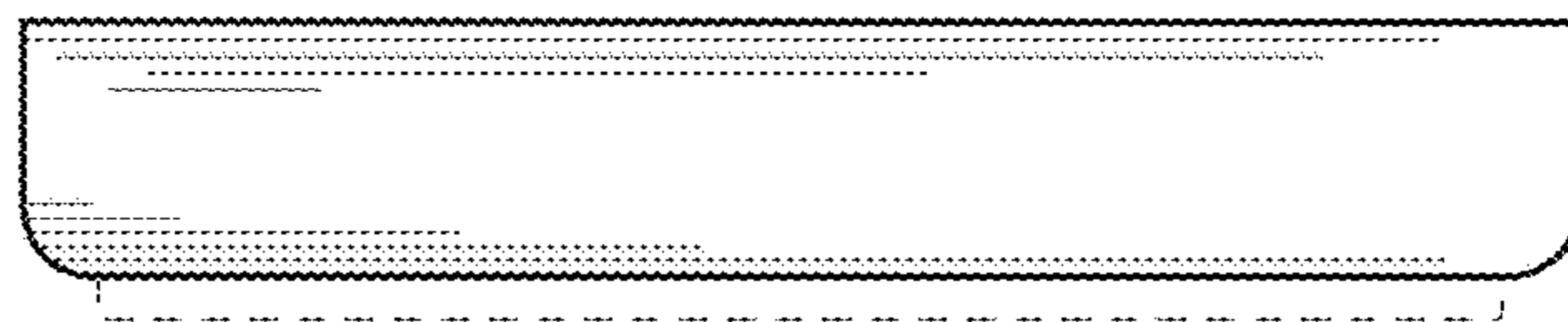


Fig. 11

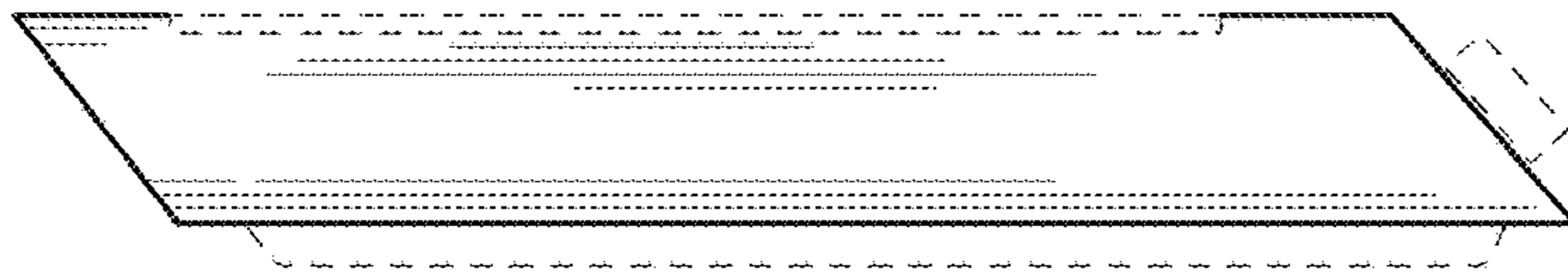


Fig. 12

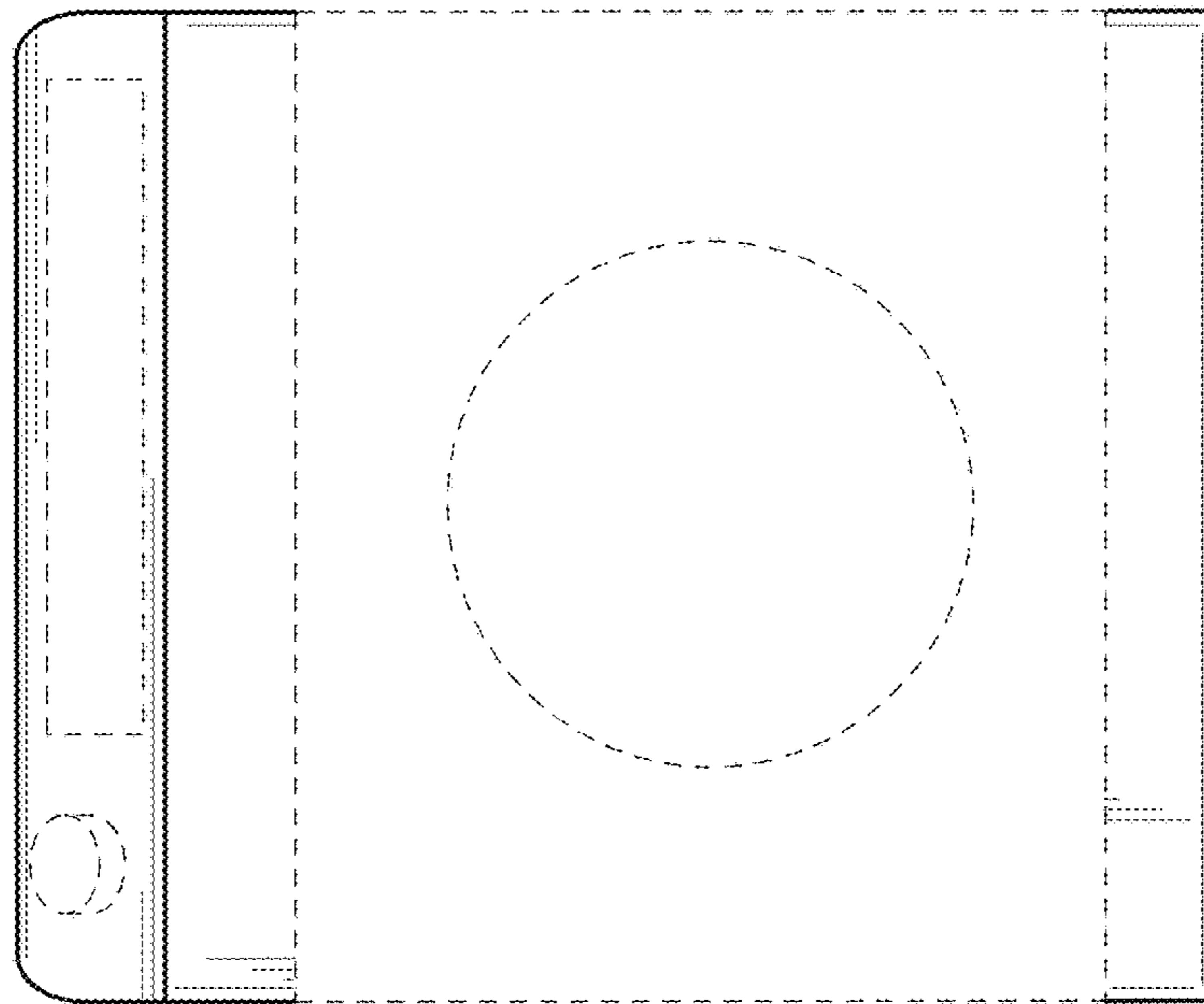


Fig. 13

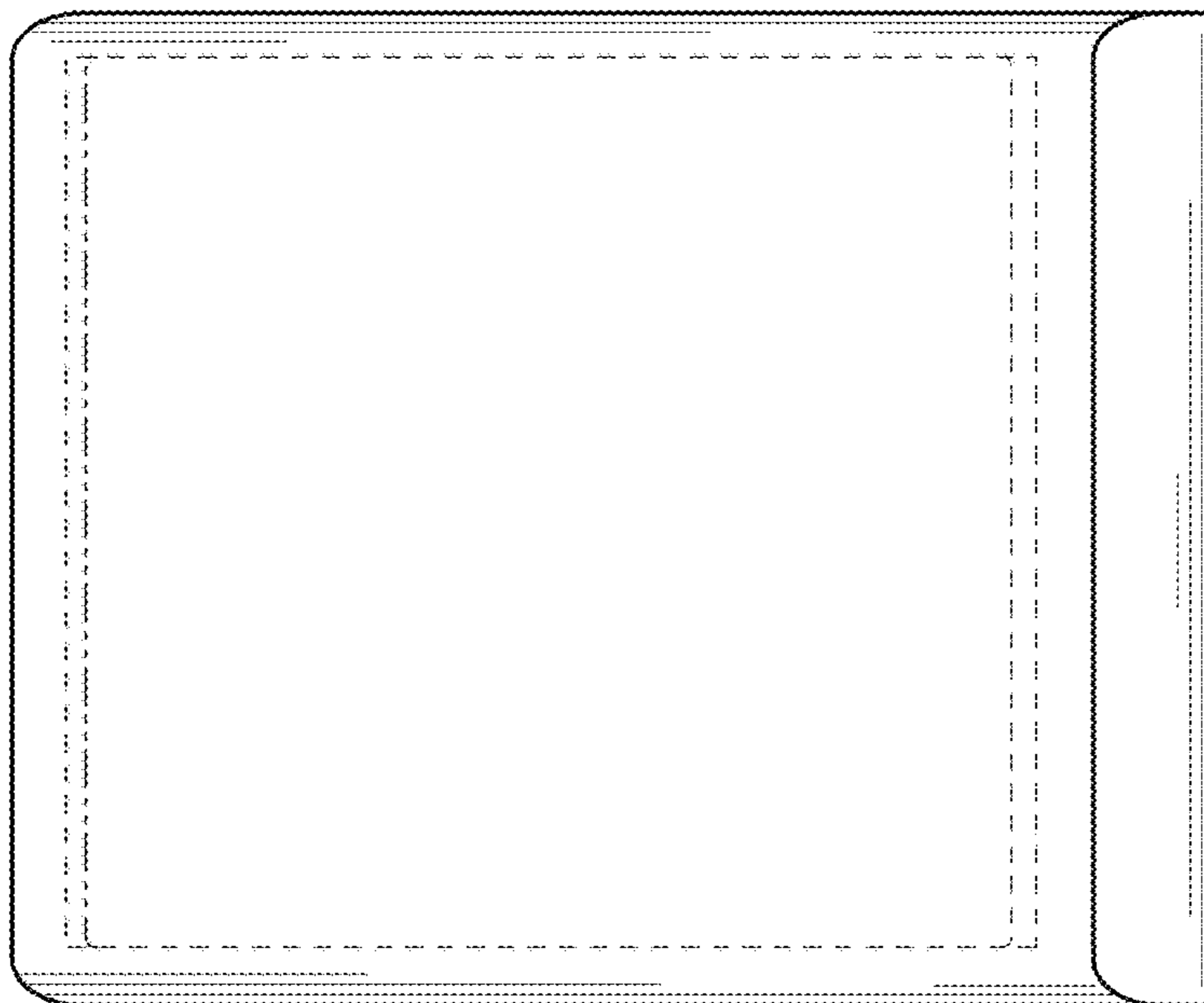


Fig. 14