



US00D814846S

(12) **United States Design Patent**
Hedrington et al.

(10) **Patent No.:** **US D814,846 S**
(45) **Date of Patent:** **** Apr. 10, 2018**

(54) **ROTISSERIE TURKEY DEEP FRYER**

(71) Applicant: **National Presto Industries, Inc.**, Eau Claire, WI (US)

(72) Inventors: **James A. Hedrington**, Chippewa Falls, WI (US); **Michael R. Berge**, Eau Claire, WI (US)

(73) Assignee: **National Presto Industries, Inc.**, Eau Claire, WI (US)

(**) Term: **15 Years**

(21) Appl. No.: **29/597,613**

(22) Filed: **Mar. 17, 2017**

(51) **LOC (11) Cl.** **07-02**

(52) **U.S. Cl.**
USPC **D7/354**

(58) **Field of Classification Search**

USPC D7/323, 354-361
CPC A23L 1/01; A23L 1/0107; A23L 1/0114;
A47J 27/00; A47J 27/08; A47J 27/09;
A47J 27/092; A47J 36/025; A47J 36/06;
A47J 36/08; A47J 36/10; A47J 36/12;
A47J 36/165; A47J 36/18; A47J 36/20;
A47J 36/22; A47J 37/00; A47J 37/12;
A47J 37/1204; A47J 37/1209; A47J
37/1214; A47J 37/1219; A47J 37/1266;
A47J

(Continued)

(56) **References Cited**

U.S. PATENT DOCUMENTS

D272,034 S * 1/1984 Beugnot D7/360
D347,353 S * 5/1994 Piret D7/354

(Continued)

Primary Examiner — Ricky Pham

(74) *Attorney, Agent, or Firm* — Patterson Thuyente Pederson, P.A.

(57) **CLAIM**

We claim the ornamental design for rotisserie turkey deep fryer, as shown and described.

DESCRIPTION

FIG. 1 is a right side view of a rotisserie turkey deep fryer according to an embodiment of the invention.

FIG. 2 is a left side view of the rotisserie turkey deep fryer depicted in FIG. 1.

FIG. 3 is a top view of the rotisserie turkey deep fryer depicted in FIG. 1.

FIG. 4 is a bottom view of the rotisserie turkey deep fryer depicted in FIG. 1.

FIG. 5 is a rear view of the rotisserie turkey deep fryer depicted in FIG. 1.

FIG. 6 is a front view of the rotisserie turkey deep fryer depicted in FIG. 1.

FIG. 7 is a rear, perspective view of the rotisserie turkey deep fryer depicted in FIG. 1.

FIG. 8 is a front, perspective view of the rotisserie turkey deep fryer depicted in FIG. 1.

FIG. 9 is a right side view of a rotisserie turkey deep fryer according to an embodiment of the invention, show without the cover for completeness of illustration.

FIG. 10 is a left side view of the rotisserie turkey deep fryer depicted in FIG. 9.

FIG. 11 is a top view of the rotisserie turkey deep fryer depicted in FIG. 9.

FIG. 12 is a bottom view of the rotisserie turkey deep fryer depicted in FIG. 9.

FIG. 13 is a rear view of the rotisserie turkey deep fryer depicted in FIG. 9.

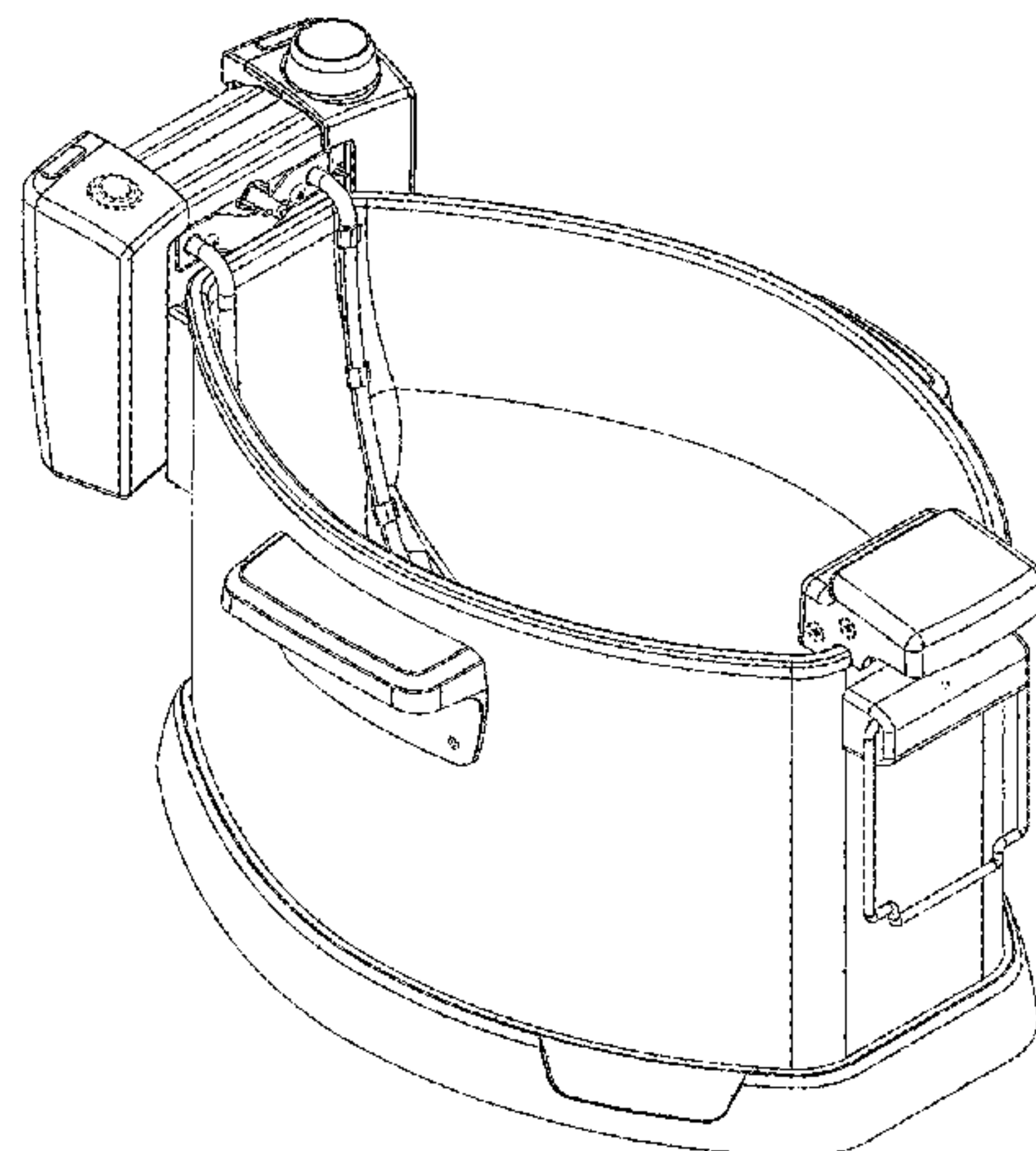
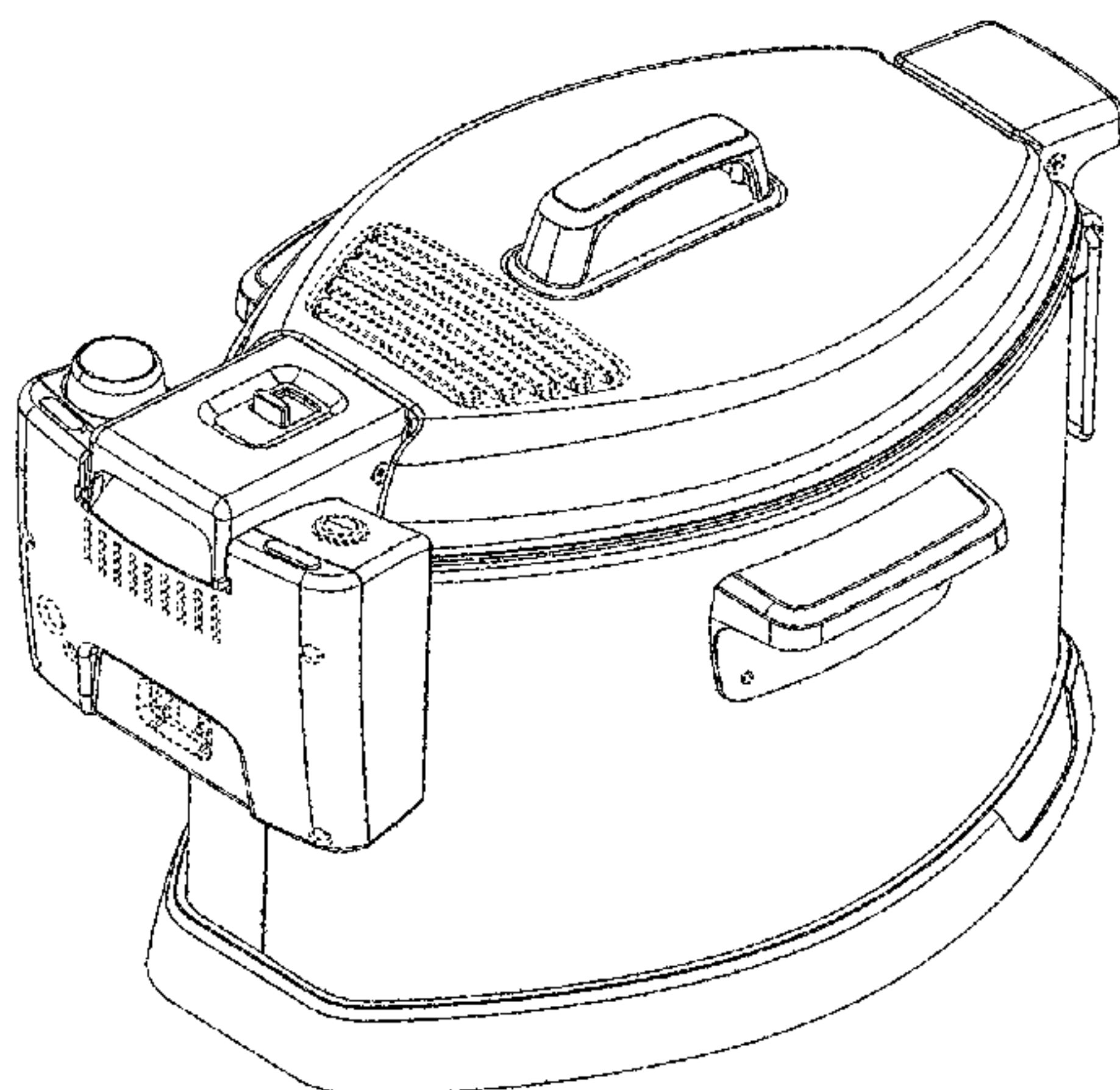
FIG. 14 is a front view of the rotisserie turkey deep fryer depicted in FIG. 9.

FIG. 15 is a rear, perspective view of the rotisserie turkey deep fryer depicted in FIG. 9; and,

FIG. 16 is a front, perspective view of the rotisserie turkey deep fryer depicted in FIG. 9.

Items shown in broken lines are for illustrative purposes only and form no part of the claimed invention.

1 Claim, 16 Drawing Sheets



(58) **Field of Classification Search**

CPC . 37/1285; A47J 37/129; A47J 37/1295; G07F
17/0064; G07F 17/0078; G07F 17/0085;
H05B 6/02; H05B 6/06; H05B 6/12
See application file for complete search history.

(56) **References Cited**

U.S. PATENT DOCUMENTS

D473,097	S *	4/2003	Brown	D7/354
D539,599	S *	4/2007	De'Longhi	D7/354
D609,962	S *	2/2010	Fiorotto	D7/354
D610,392	S *	2/2010	Fiorotto	D7/354
D610,866	S *	3/2010	Fiorotto	D7/354
D672,600	S *	12/2012	Berge	D7/354
8,474,371	B2	7/2013	Rutigliano et al.	
8,707,857	B2	4/2014	Popiel et al.	
D711,183	S *	8/2014	Bernheim	D7/354
8,850,965	B2	10/2014	Popiel et al.	
8,943,953	B2	2/2015	Rutigliano et al.	
9,003,960	B2	4/2015	Rutigliano et al.	
D760,017	S *	6/2016	Berge	D7/354
2007/0028780	A1	2/2007	Popiel et al.	
2008/0110350	A1	5/2008	Wang	
2009/0205511	A1 *	8/2009	Tienor	A47J 37/1209 99/403

* cited by examiner

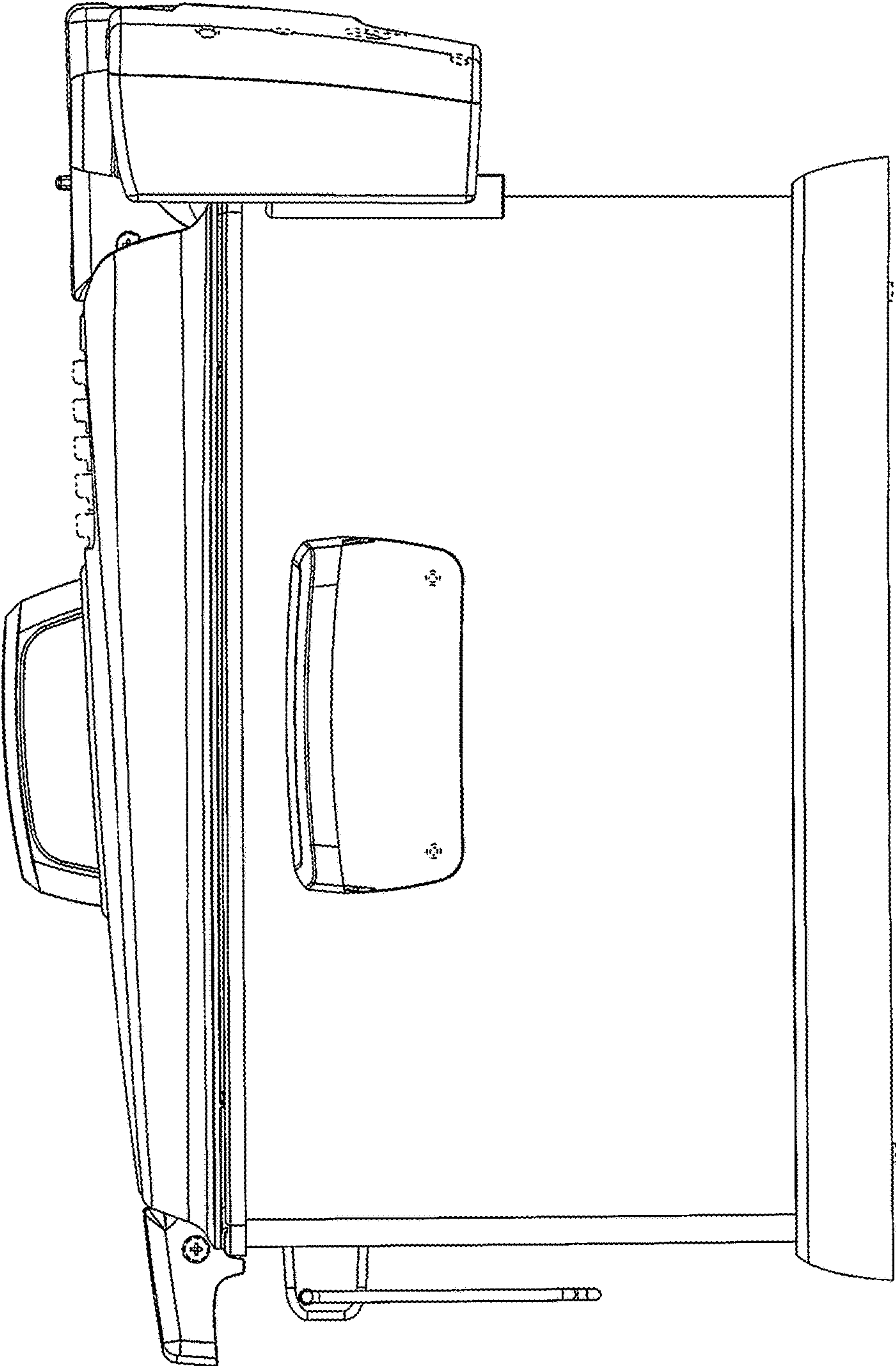


FIG. 1

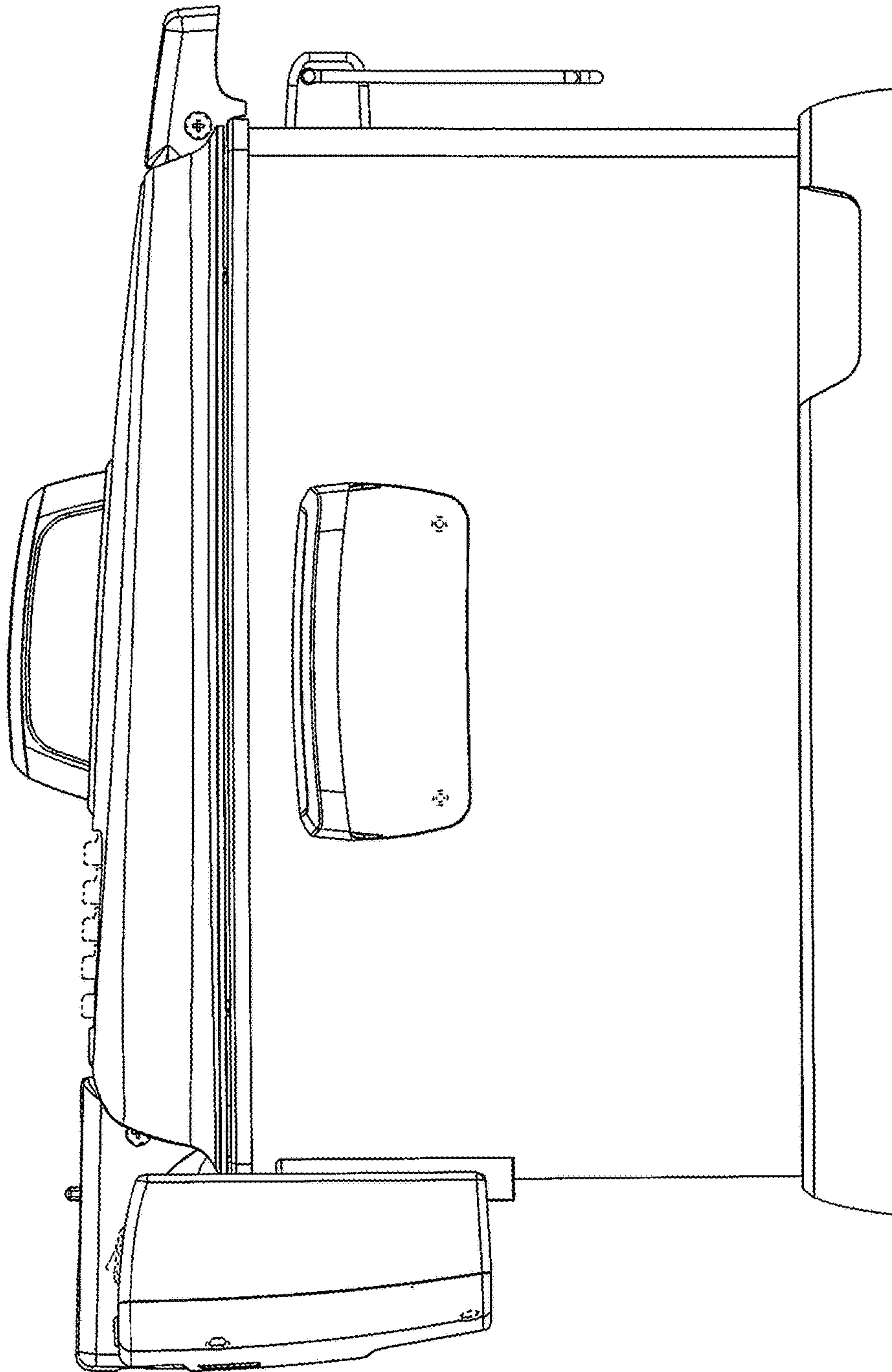


FIG. 2

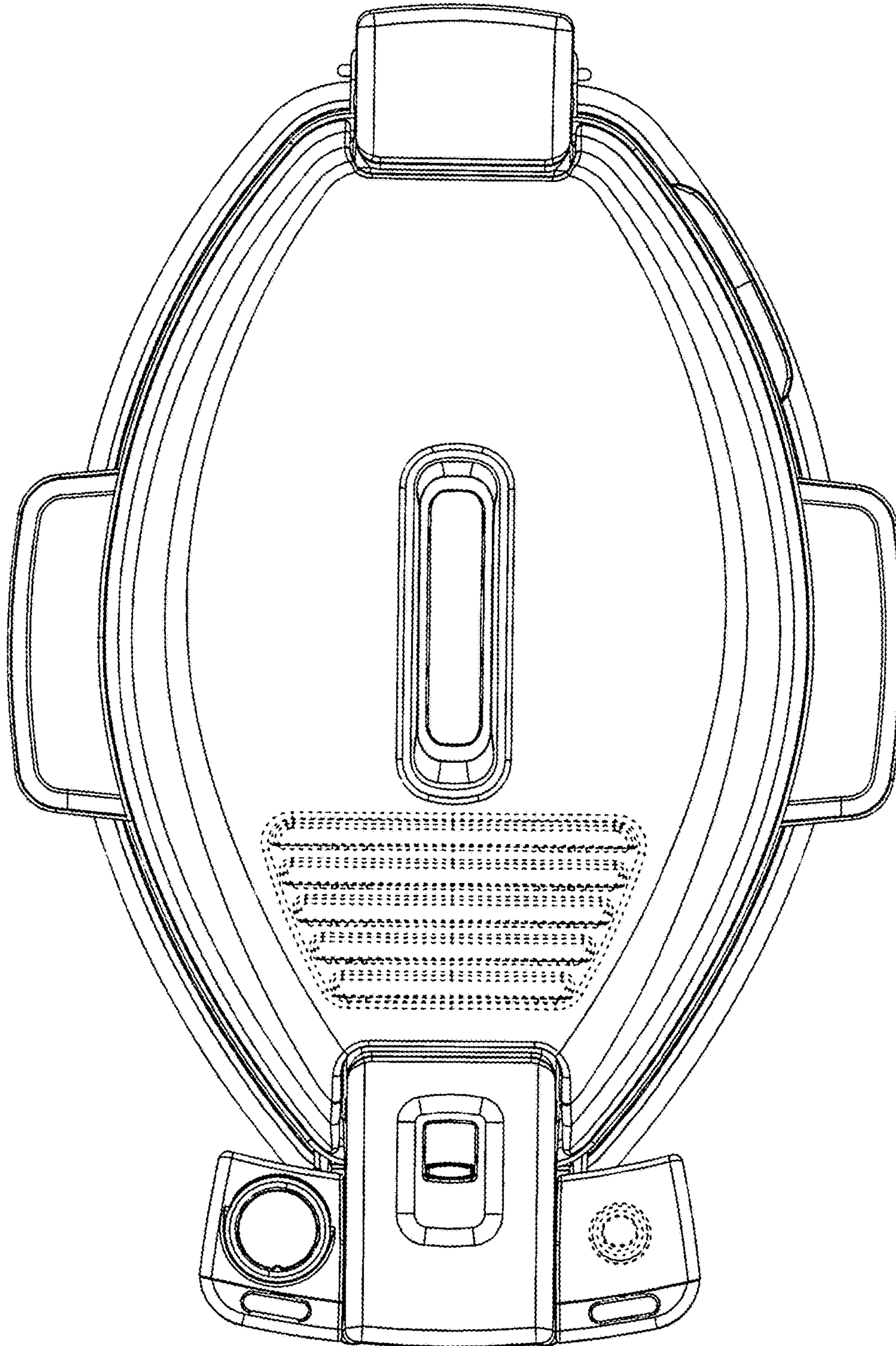


FIG. 3

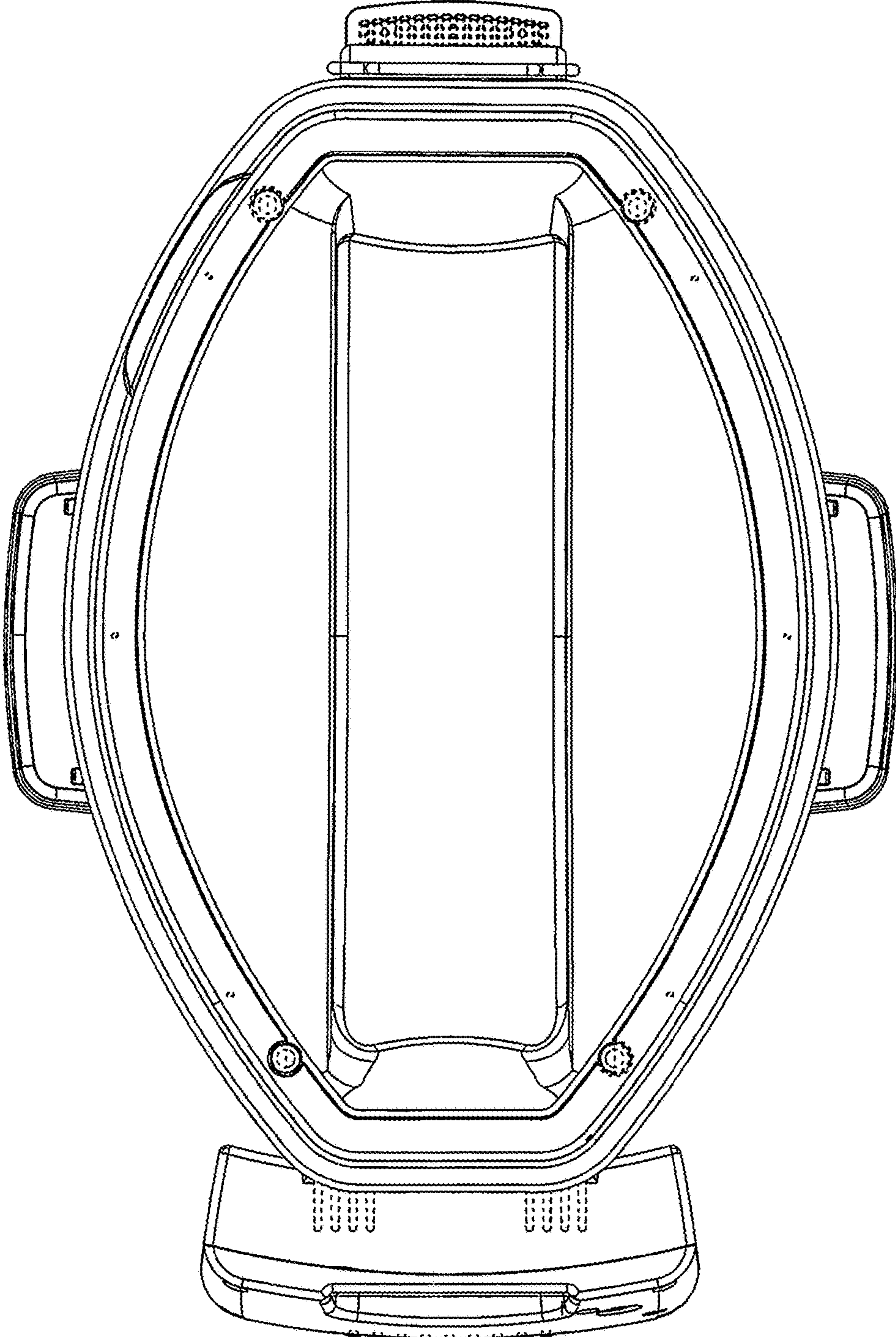


FIG. 4

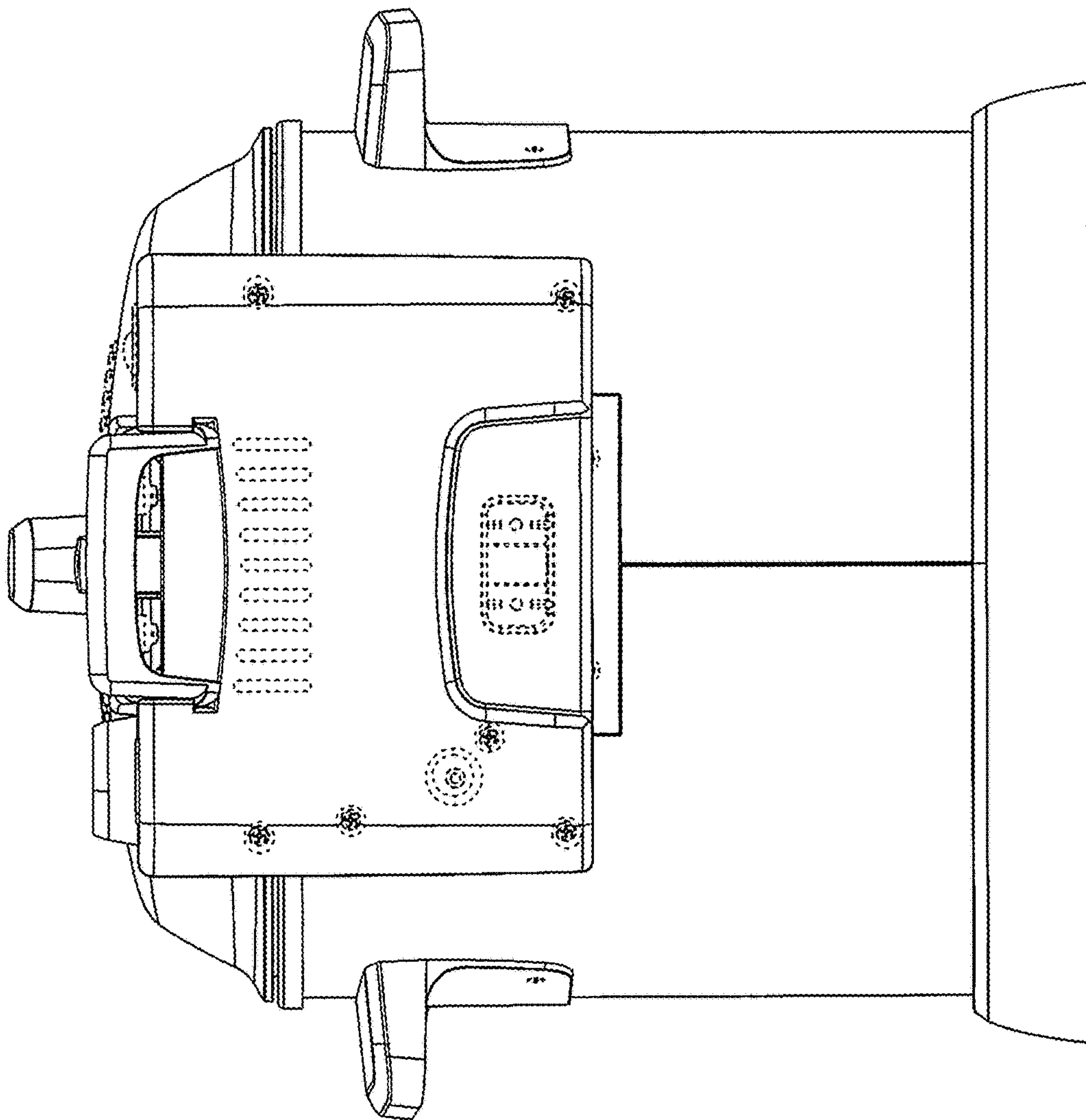


FIG. 5

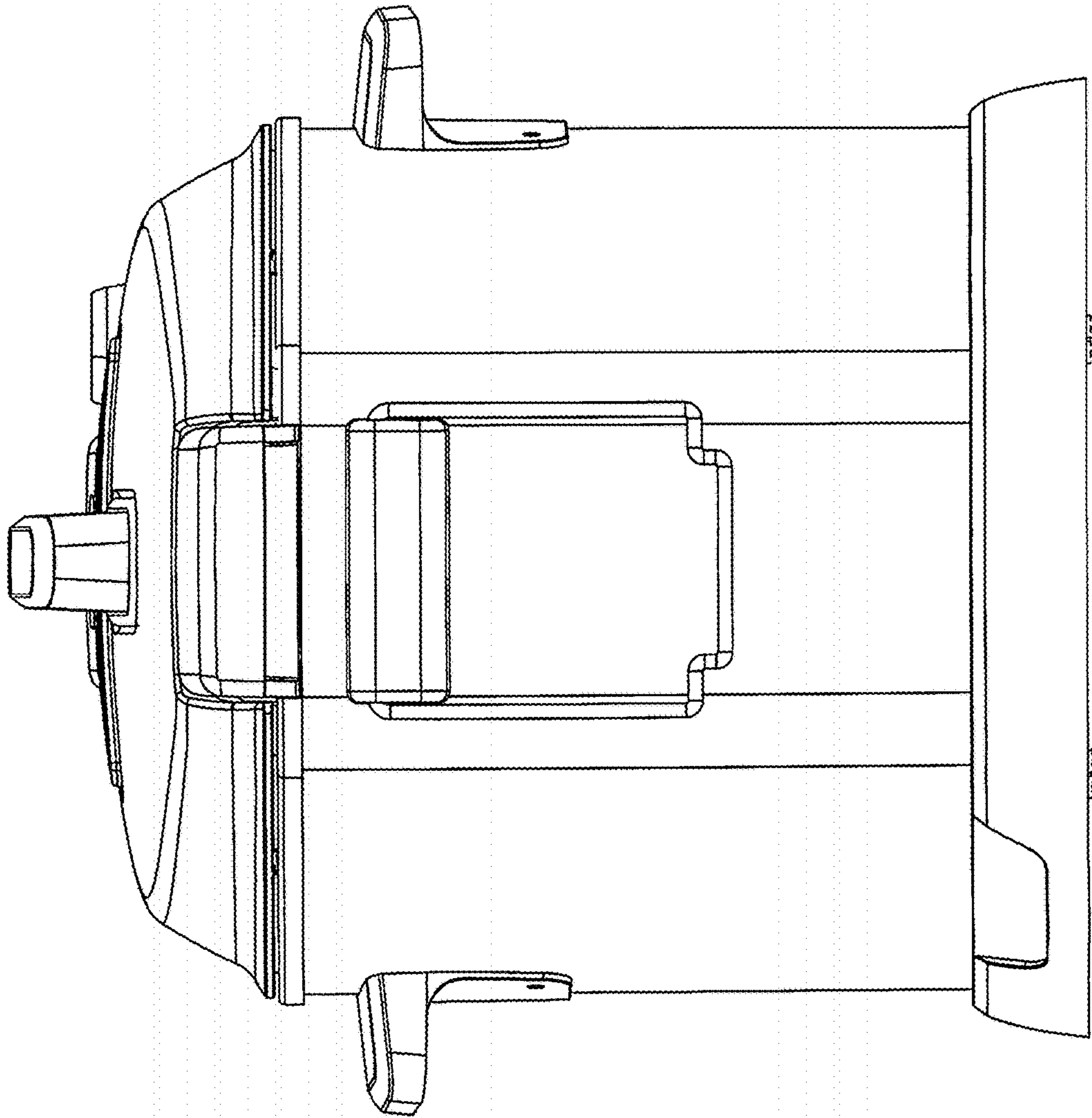


FIG. 6

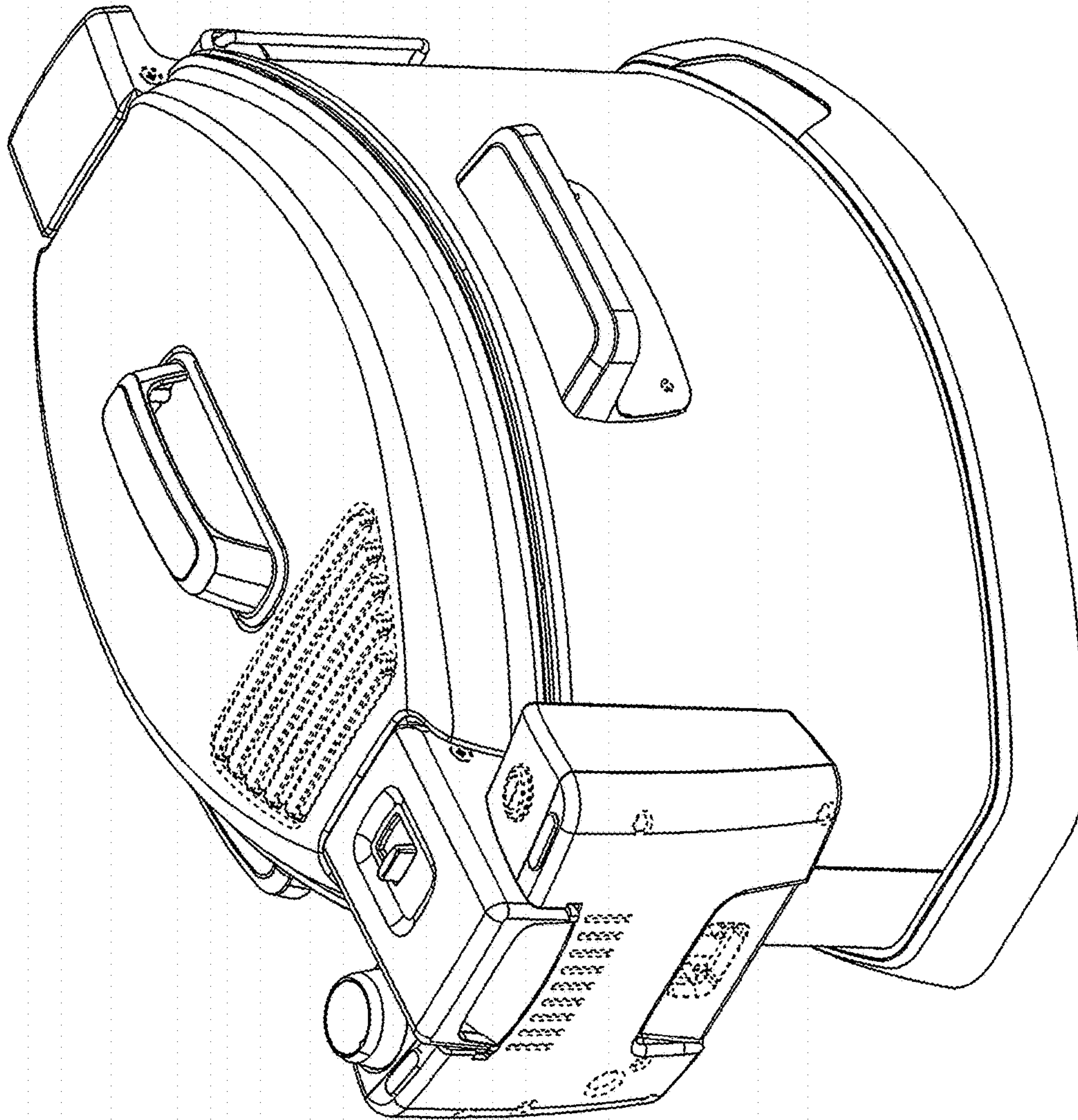


FIG. 7

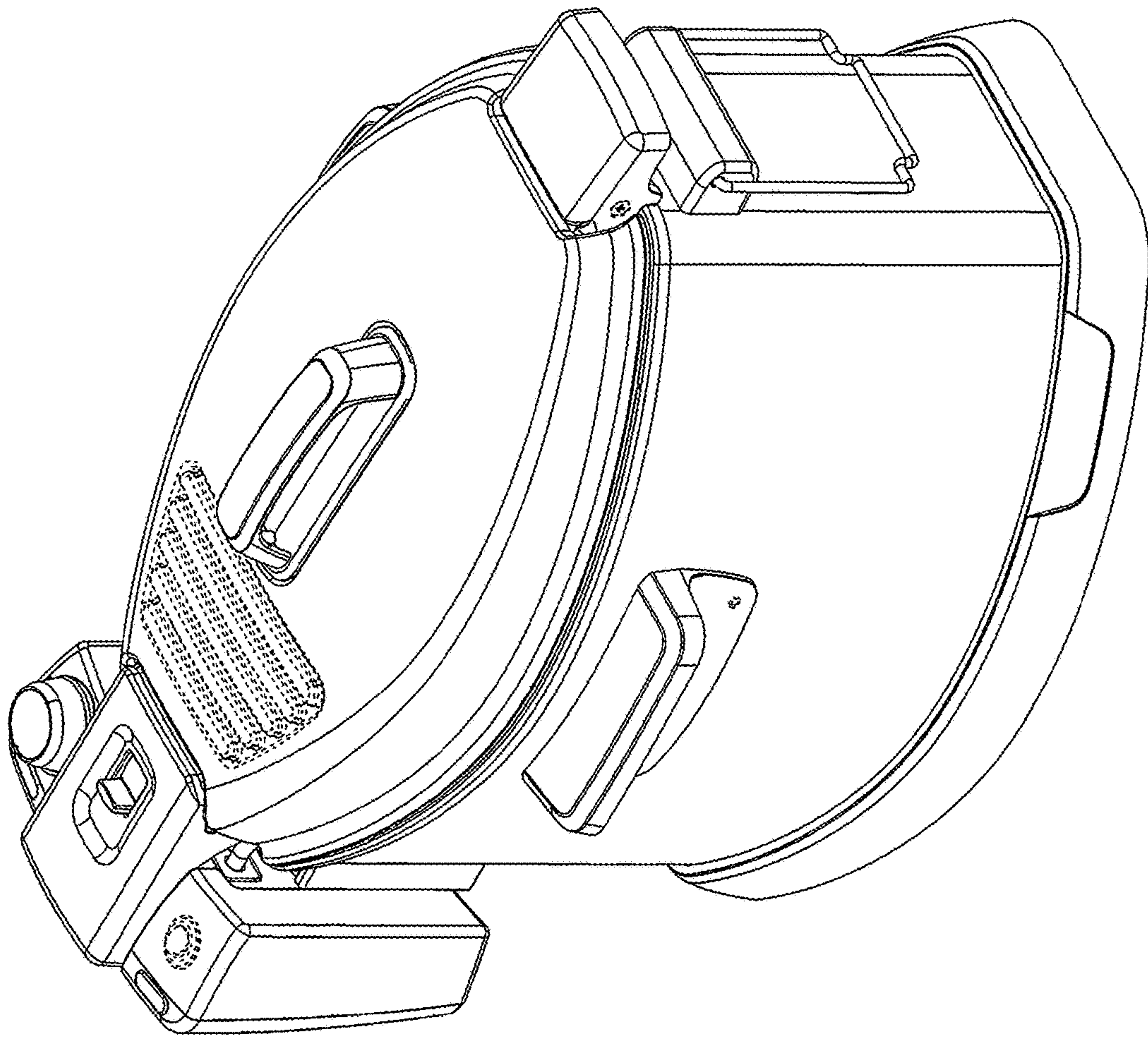


FIG. 8

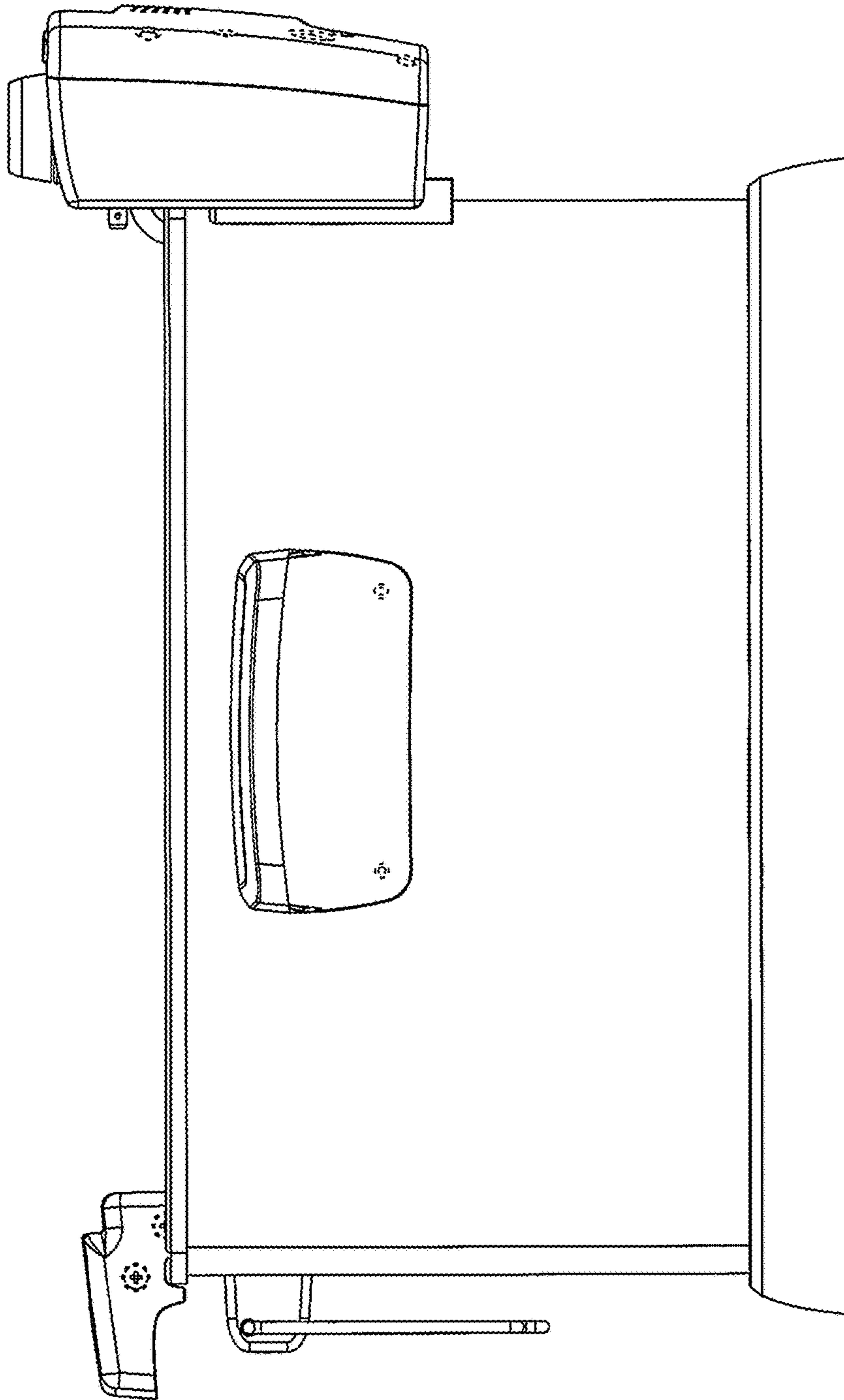


FIG. 9

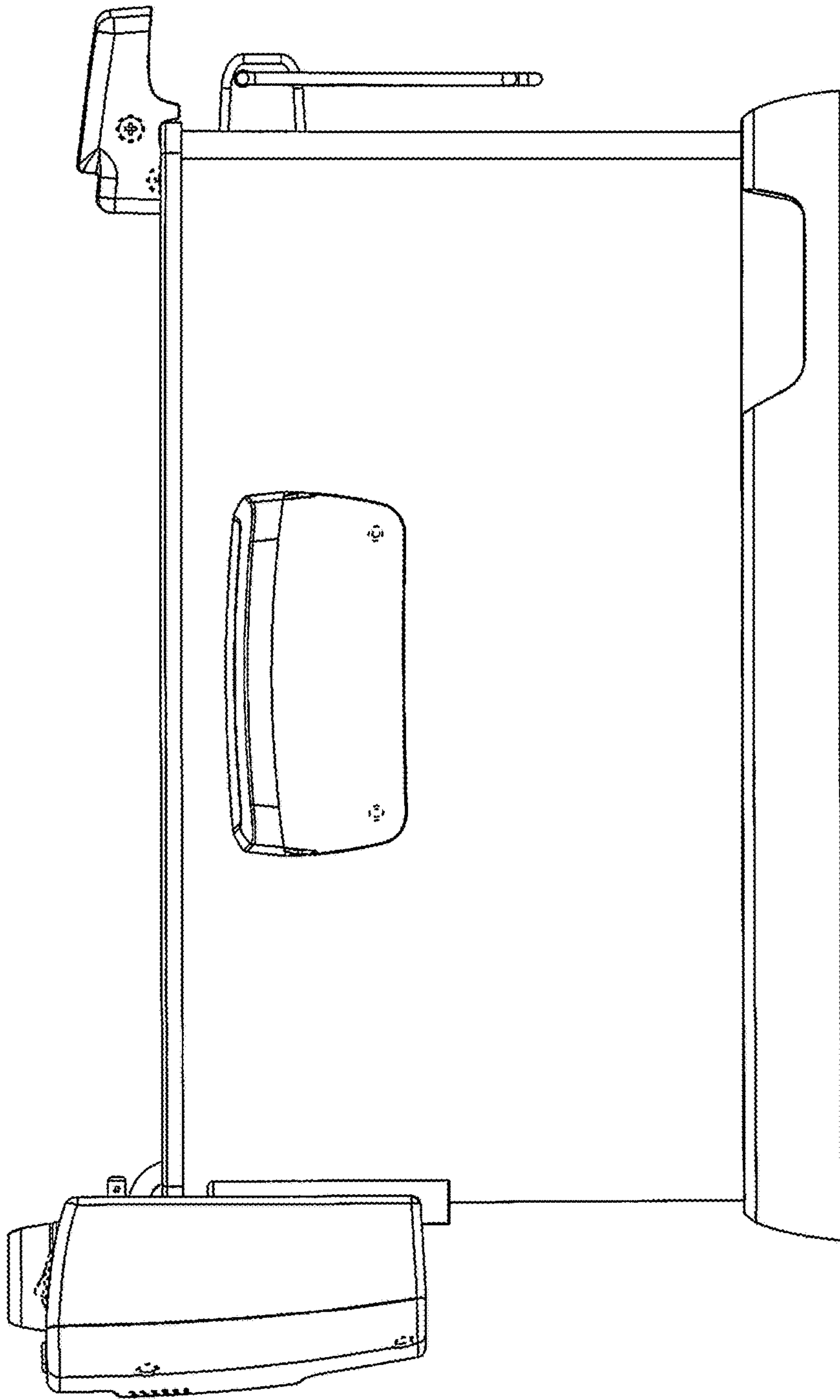


FIG. 10

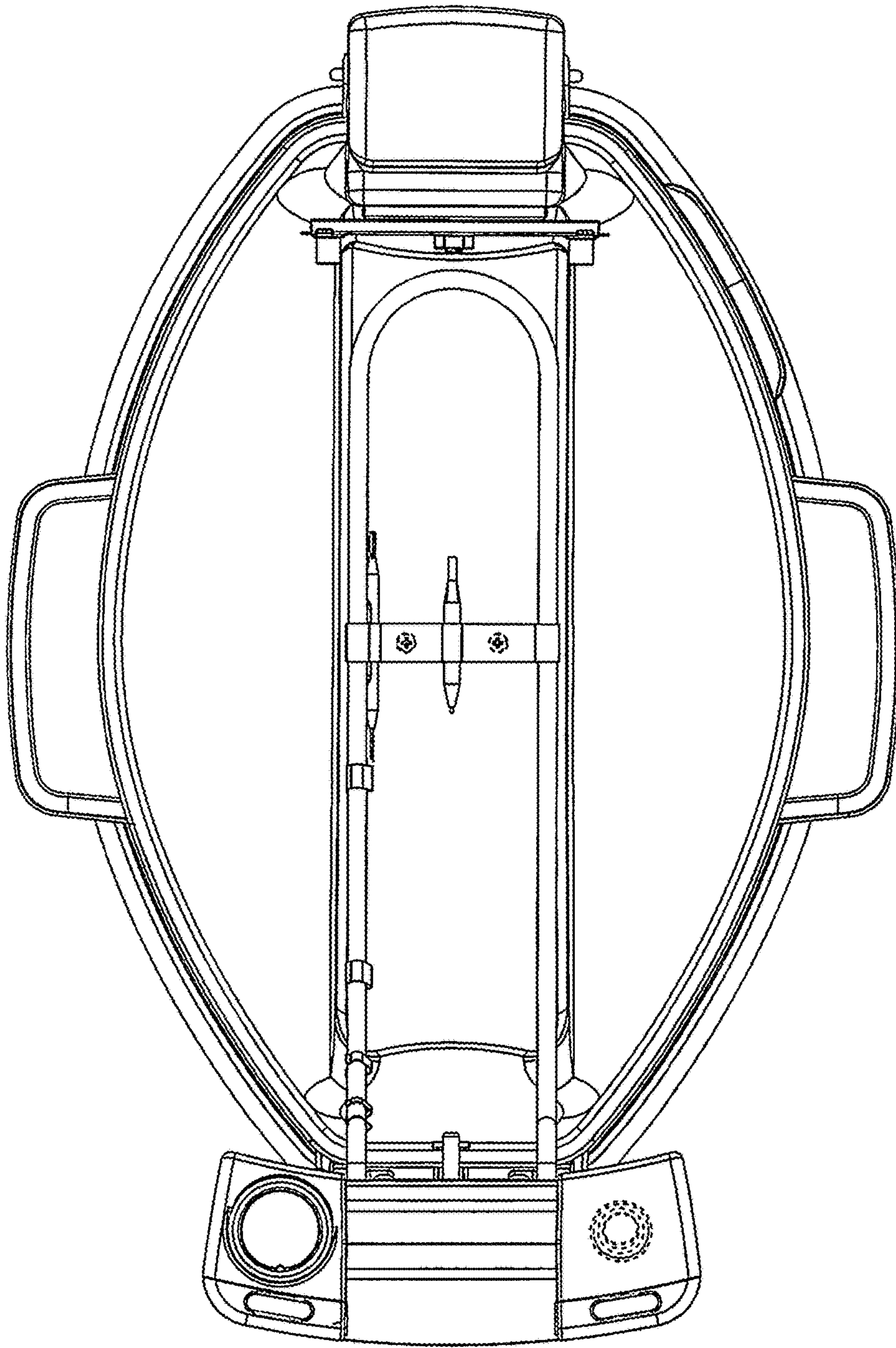


FIG. 11

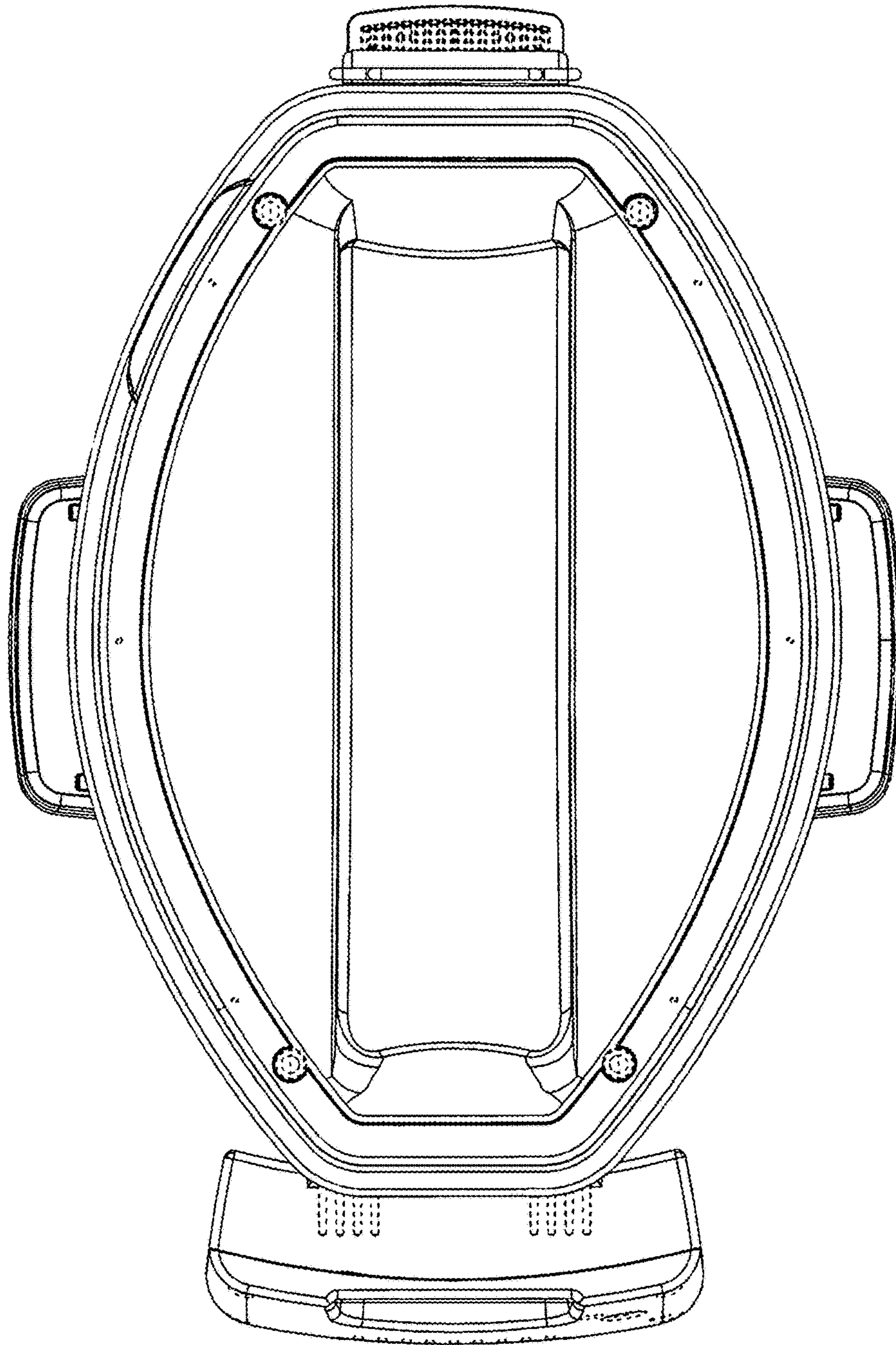


FIG. 12

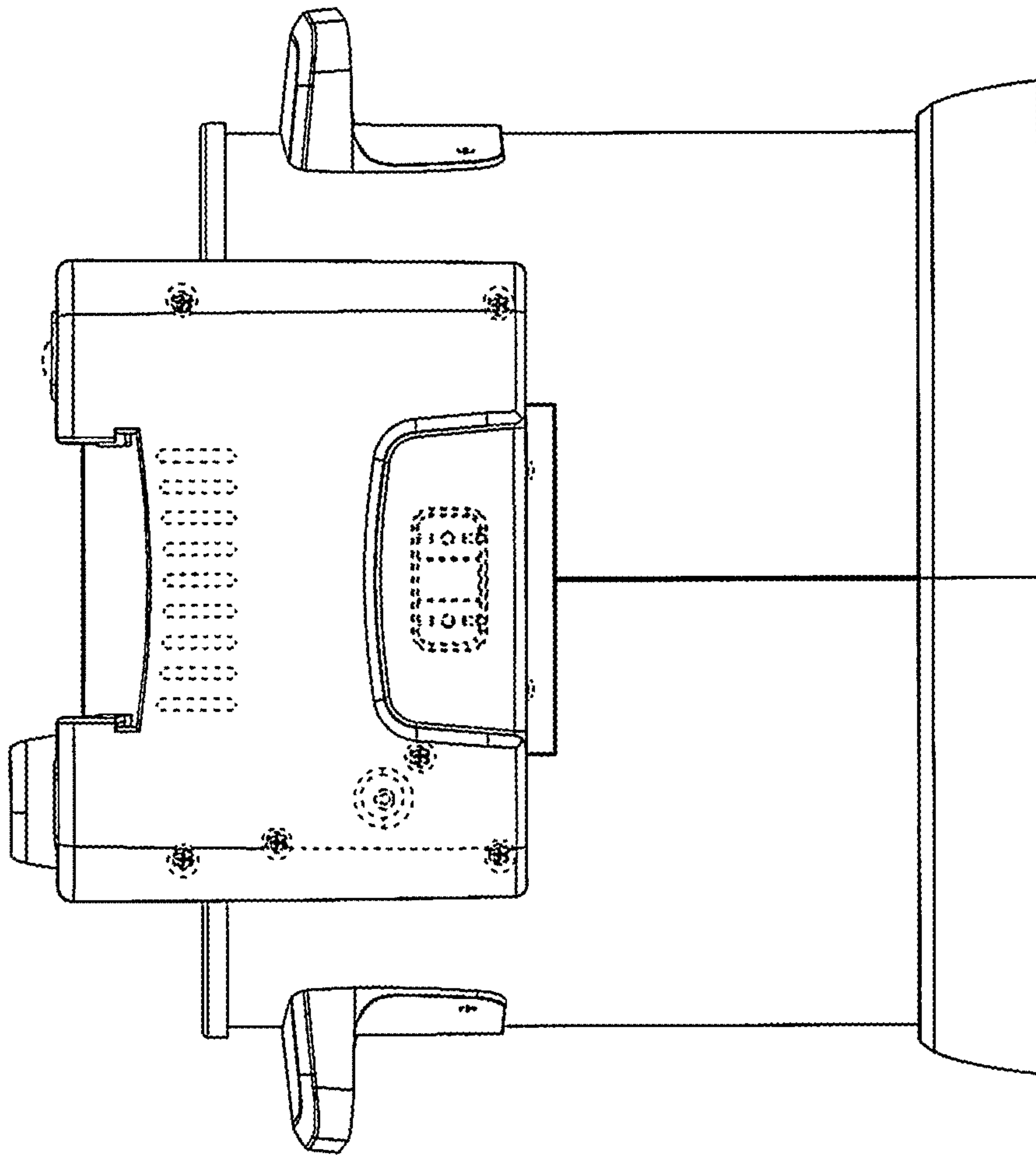


FIG. 13

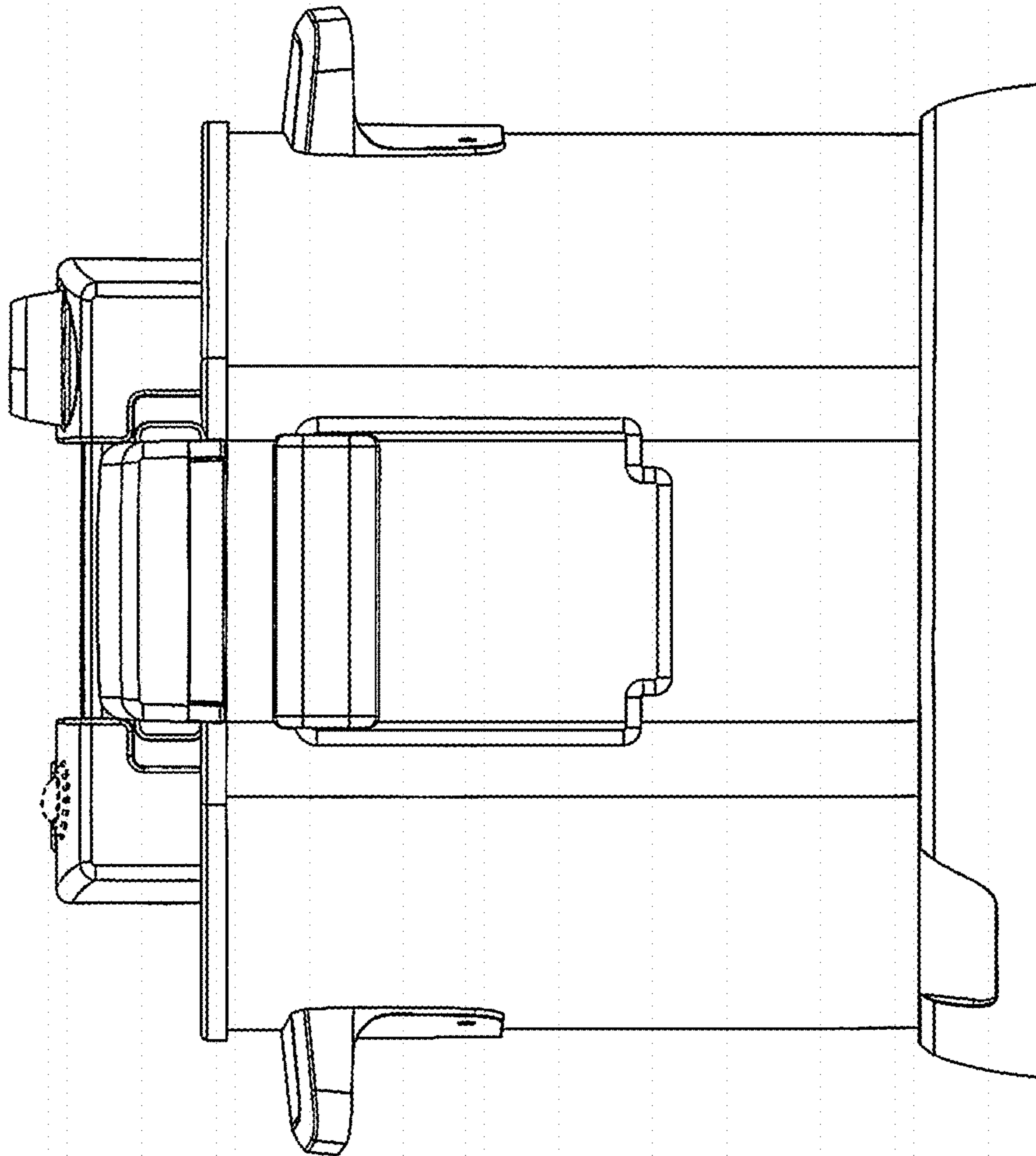


FIG. 14

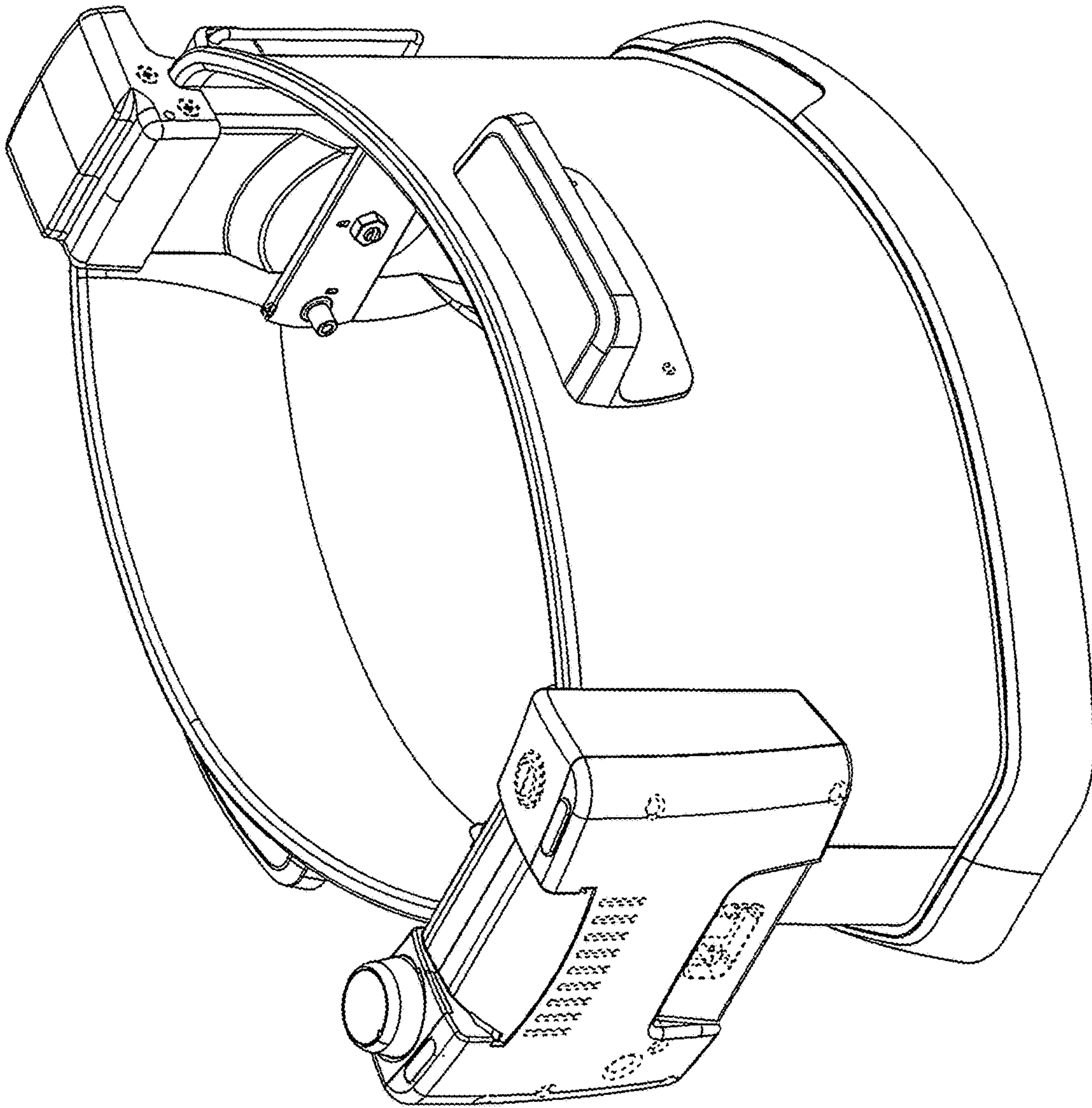


FIG. 15

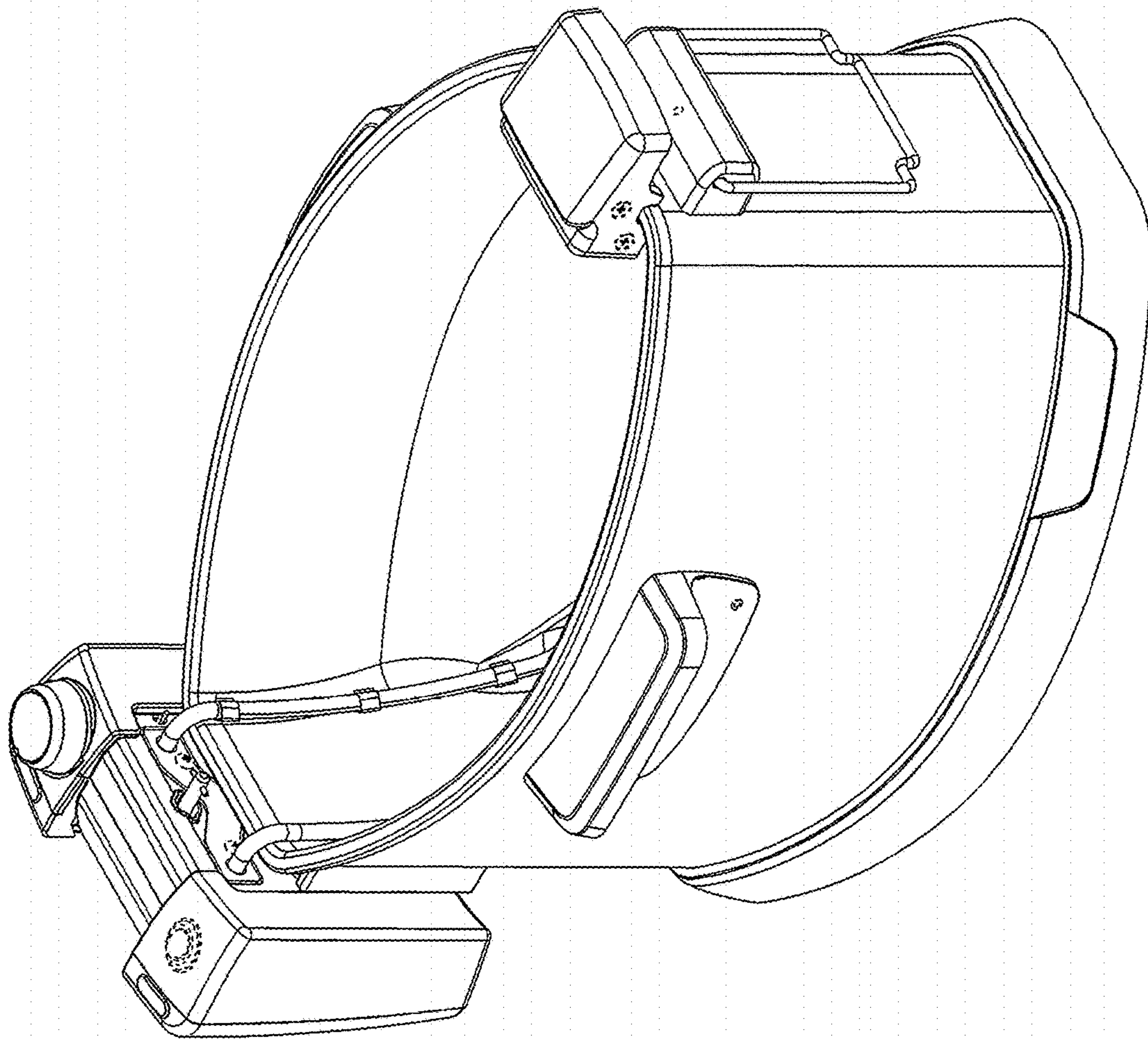


FIG. 16