



US00D814842S

(12) **United States Design Patent**
Hagstrom

(10) **Patent No.:** **US D814,842 S**

(45) **Date of Patent:** **** Apr. 10, 2018**

(54) **PORTABLE STOVE**

(71) Applicant: **Fenix Outdoor Development and CSR AG, Zug (CH)**

(72) Inventor: **Magnus Fredrik Hagstrom, Johanneshov (SE)**

(**) Term: **15 Years**

(21) Appl. No.: **29/546,510**

(22) Filed: **Nov. 23, 2015**

(30) **Foreign Application Priority Data**

May 21, 2015 (EM) 002705319

(51) **LOC (11) Cl.** **07-02**

(52) **U.S. Cl.**
USPC **D7/337**

(58) **Field of Classification Search**

USPC D7/323-337, 402-407, 362, 416, 417,
D7/357, 408; 126/25 R, 9 R; D23/343,
D23/415, 350, 348, 403, 409, 416, 418,
D23/419; D22/112; D26/8

CPC A47J 33/00; A47J 37/04; A47J 37/041;
A47J 37/07-37/0713; A47J
37/718-37/0727; A47J 37/0731; A47J
37/074; A47J 37/0781; A47J 2037/0777;
A47J 37/0786; A47J 37/079; A47J 36/26;
A47J 36/36; F24B 1/02; F24B 1/022;
F24B 1/18; F24B 1/182; F24B 1/202;
F24B 1/181; F24C 3/14; F24C 1/16;
F24C 15/10; F23D 14/00-14/10; F23D
91/00; B05B 17/08

See application file for complete search history.

(56) **References Cited**

U.S. PATENT DOCUMENTS

D155,631 S * 10/1949 Roedter D7/332
D320,527 S * 10/1991 Carroll D7/332
D519,775 S * 5/2006 Chung D7/332

(Continued)

Primary Examiner — Janice Hallmark

Assistant Examiner — Brett Miller

(74) *Attorney, Agent, or Firm* — Jeffer Mangels Butler & Mitchell LLP; Brennan C. Swain, Esq.

(57) **CLAIM**

The ornamental design for a portable stove, as shown and described.

DESCRIPTION

FIG. 1 is a perspective view of a portable stove showing my new design in a closed position with the carrying strap and closing strap portions of the portable stove attached;

FIG. 2 is a rear elevational view thereof;

FIG. 3 is a front elevational view thereof;

FIG. 4 is a right side elevational view thereof;

FIG. 5 is a left side elevational view thereof;

FIG. 6 is a top plan view thereof;

FIG. 7 is a perspective view of the portable stove shown in a closed position with the carrying strap and closing strap portions of the portable stove removed for clarity of disclosure;

FIG. 8 is a rear elevational view thereof;

FIG. 9 is a front elevational view thereof;

FIG. 10 is a right side elevational view thereof;

FIG. 11 is a left side elevational view thereof;

FIG. 12 is a top plan view thereof;

FIG. 13 is a perspective view of the portable stove shown in an open position with the carrying strap, closing strap, and lid portions of the portable stove removed for clarity of disclosure;

FIG. 14 is a right side elevational view thereof;

FIG. 15 is a rear elevational view thereof;

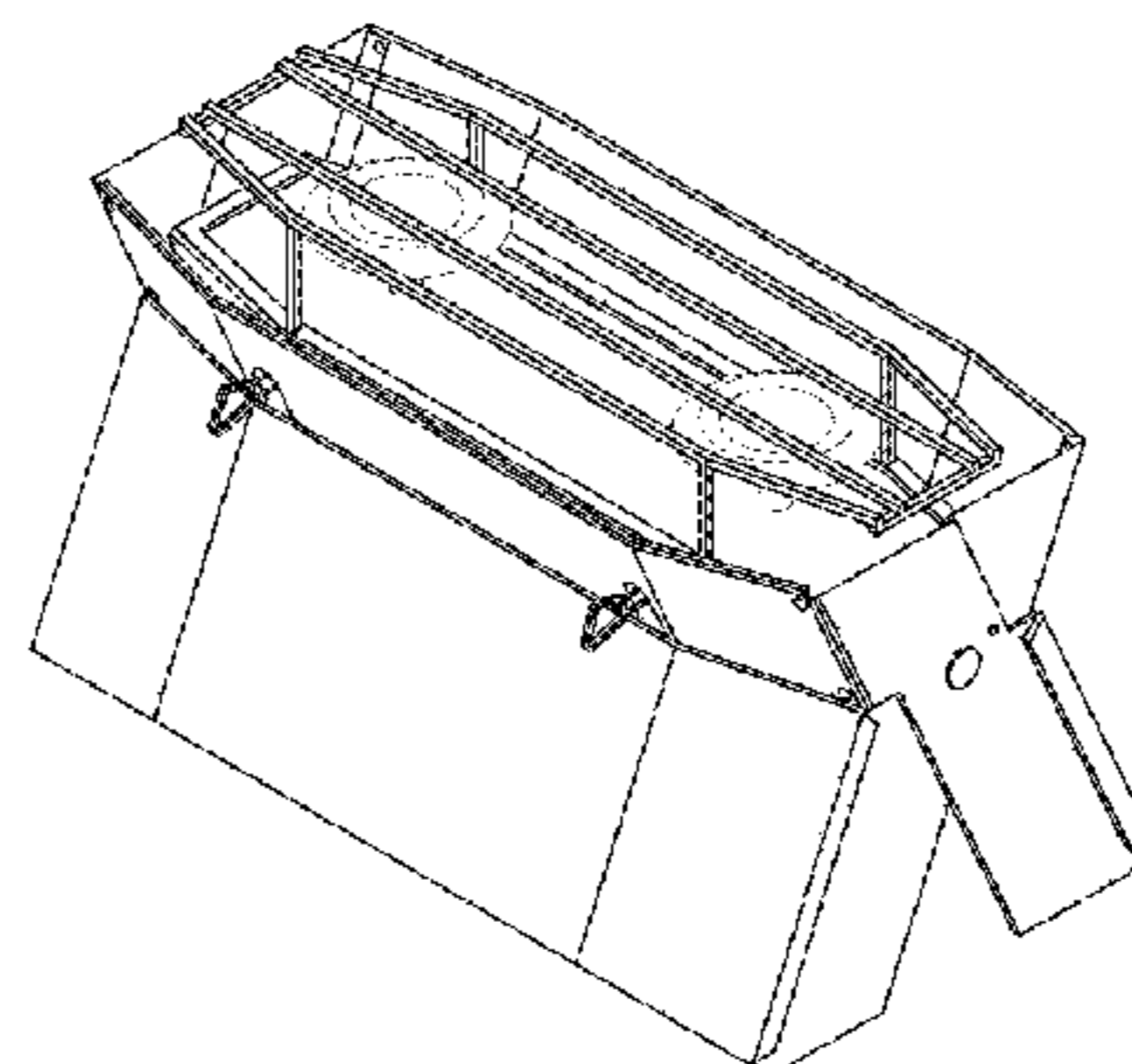
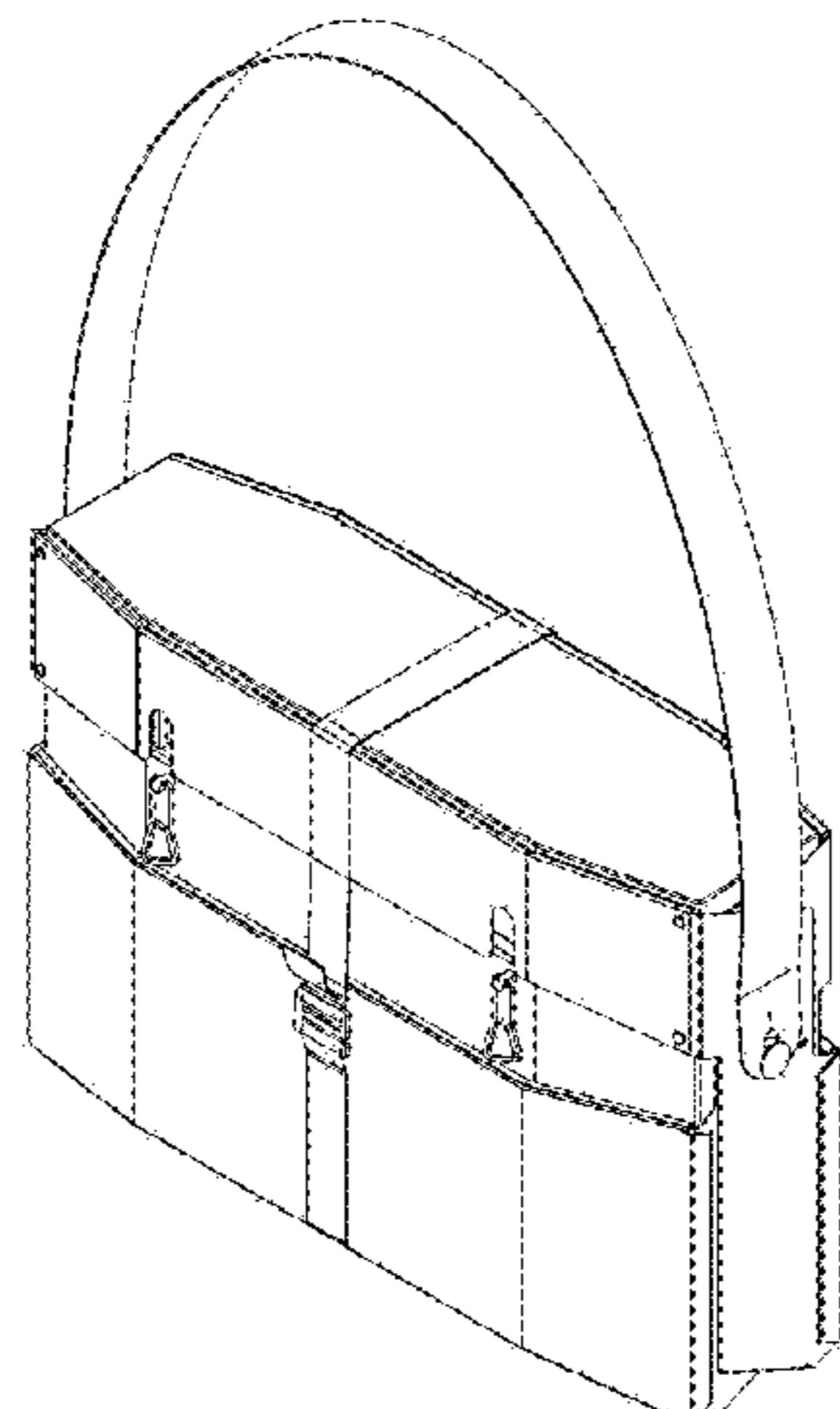
FIG. 16 is a front elevational view thereof;

FIG. 17 is a left side elevational view thereof; and,

FIG. 18 is a top plan view thereof.

The broken lines in the drawings depict portions of the portable stove that form no part of the claimed design.

1 Claim, 18 Drawing Sheets



(56)

References Cited

U.S. PATENT DOCUMENTS

D611,293	S *	3/2010	Chung	D7/337
D614,436	S *	4/2010	Chung	D7/337
D618,482	S *	6/2010	Gaze	D7/332
D637,447	S *	5/2011	Chen	D7/337
2006/0000465	A1 *	1/2006	Chung	A47J 37/0713
					126/9 R
2013/0032138	A1 *	2/2013	Kihlstroem	F24C 3/14
					126/9 R
2013/0312737	A1 *	11/2013	Chung	A47J 33/00
					126/9 B
2016/0206148	A1 *	7/2016	Sawhney	A47J 37/0763

* cited by examiner

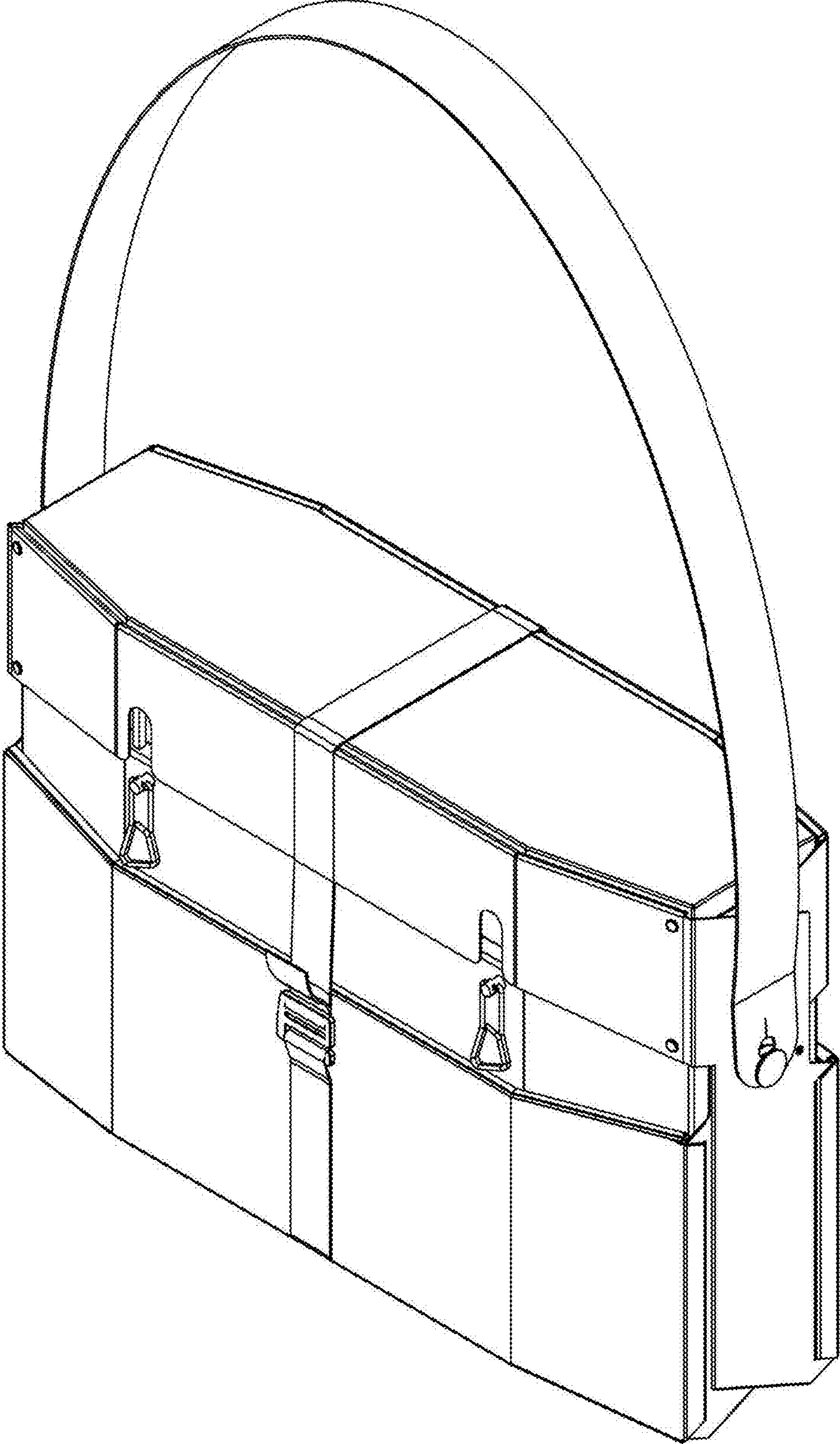


FIG. 1

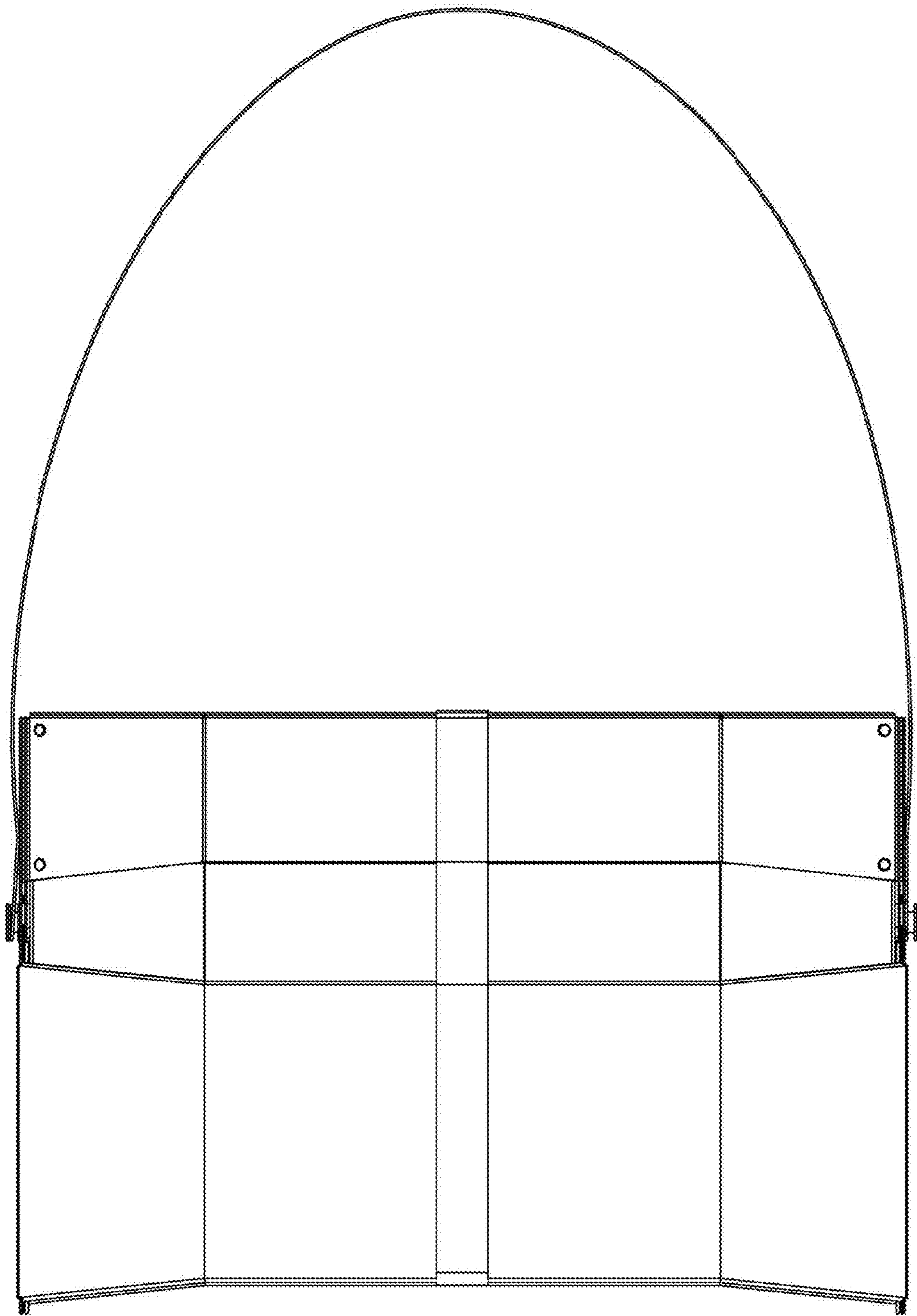


FIG. 2

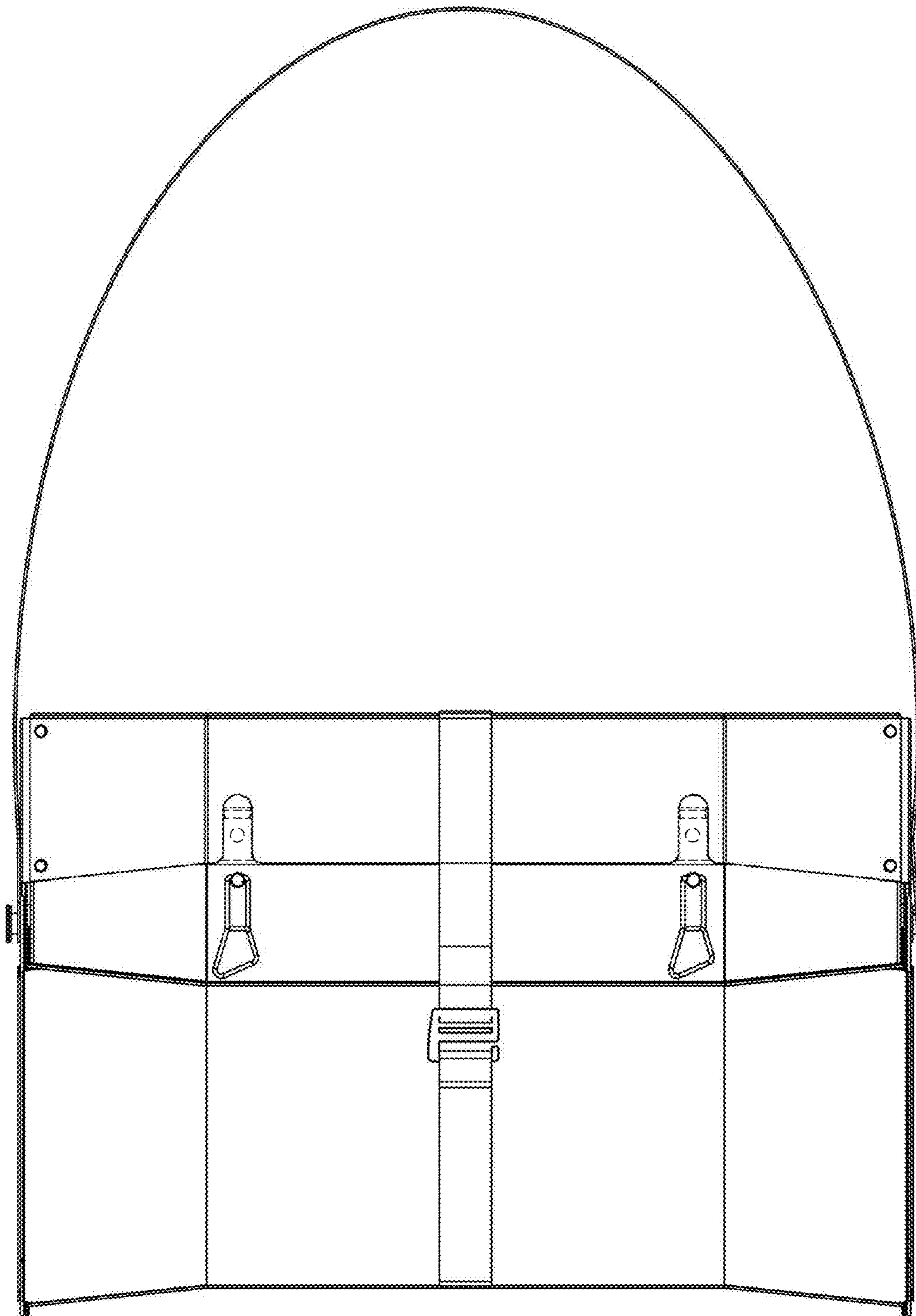


FIG. 3

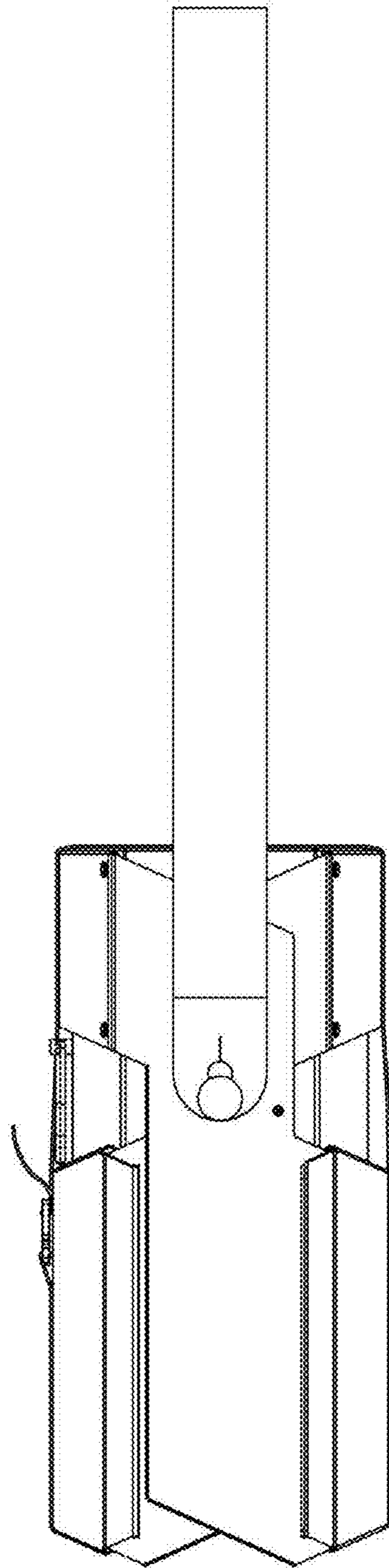


FIG. 4

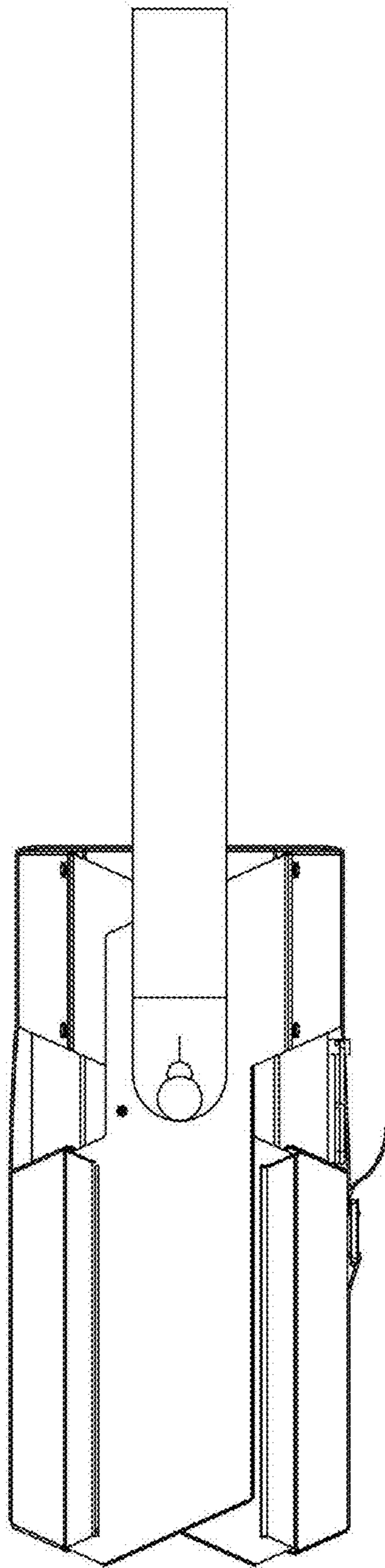


FIG. 5

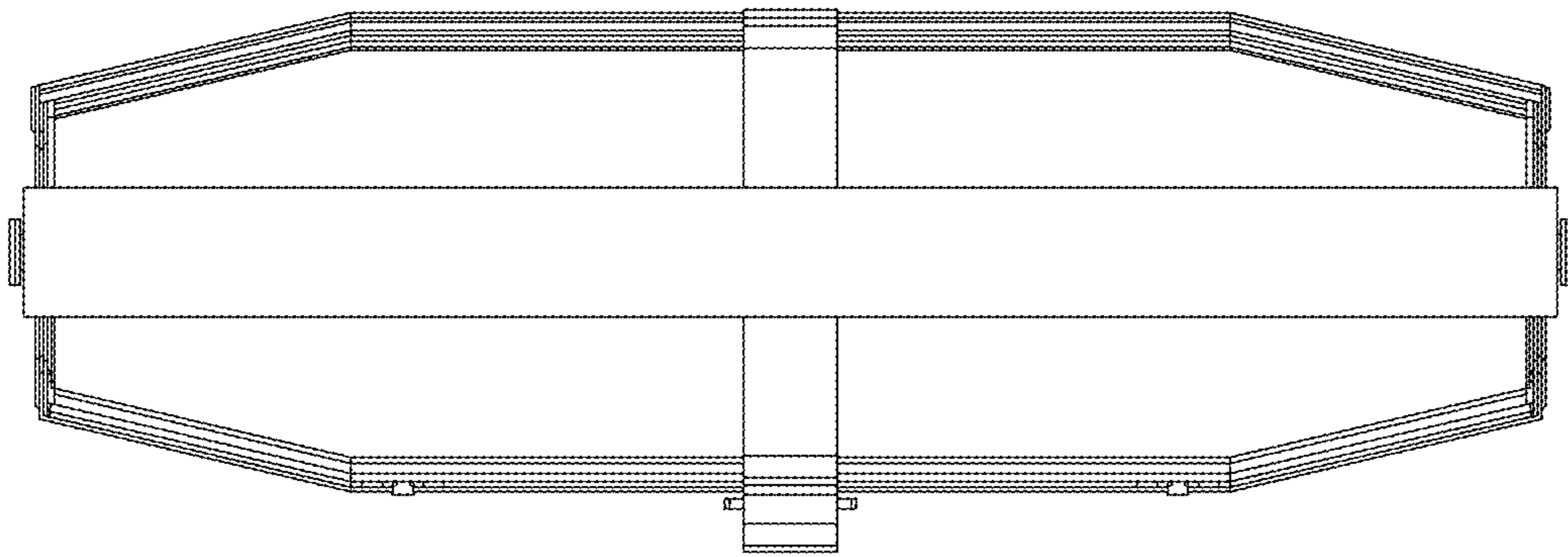


FIG. 6

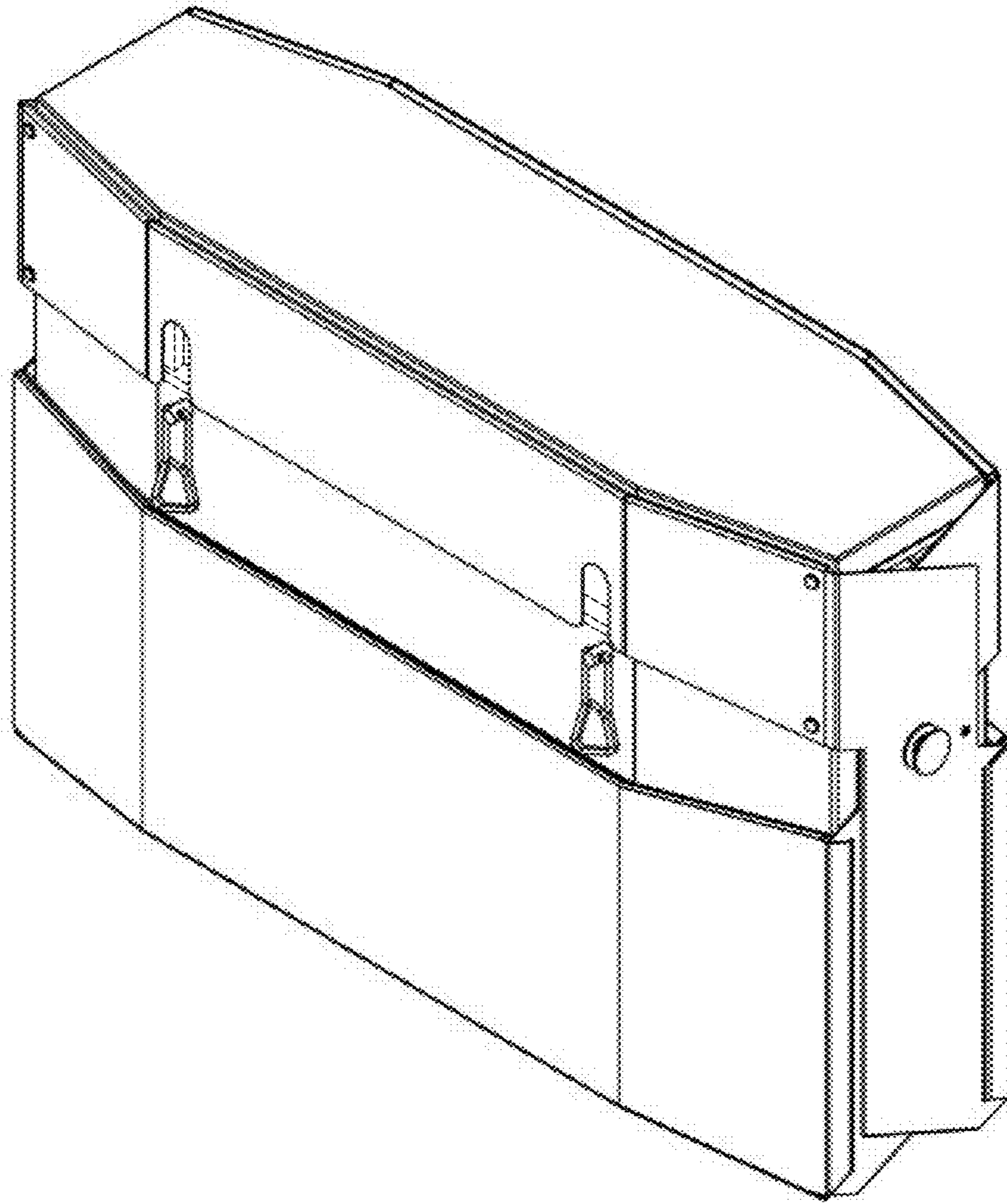


FIG. 7

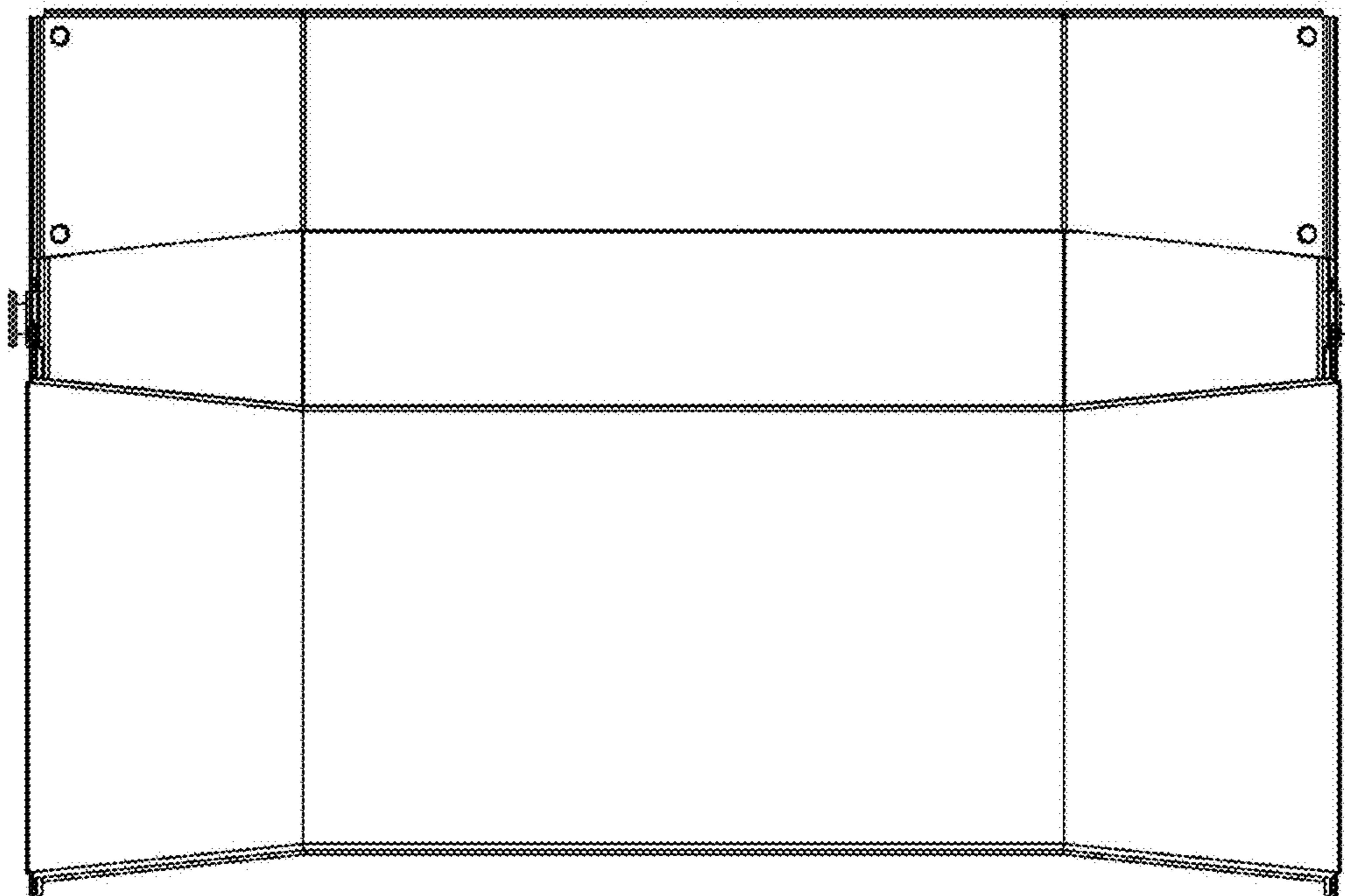


FIG. 8

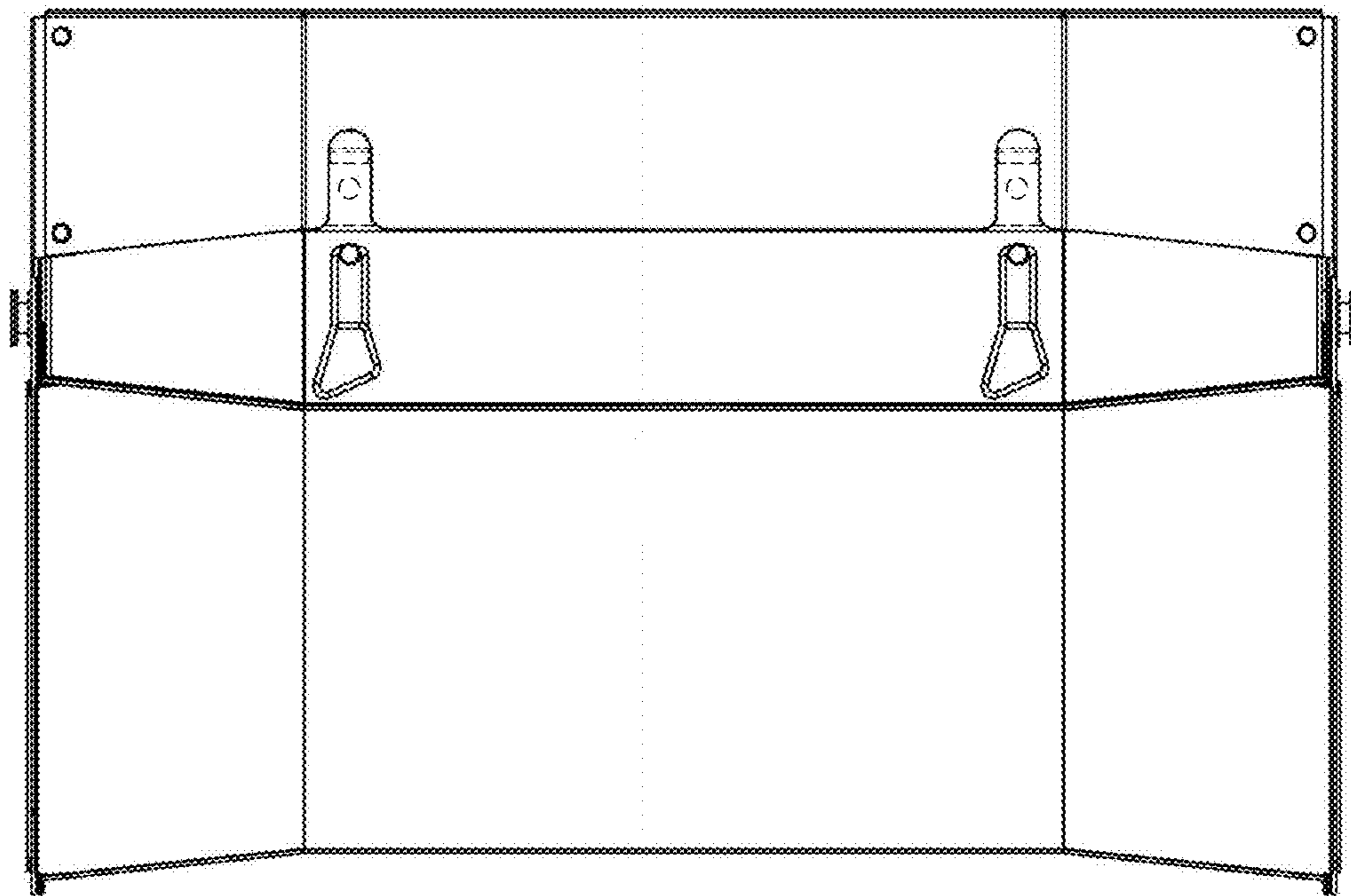


FIG. 9

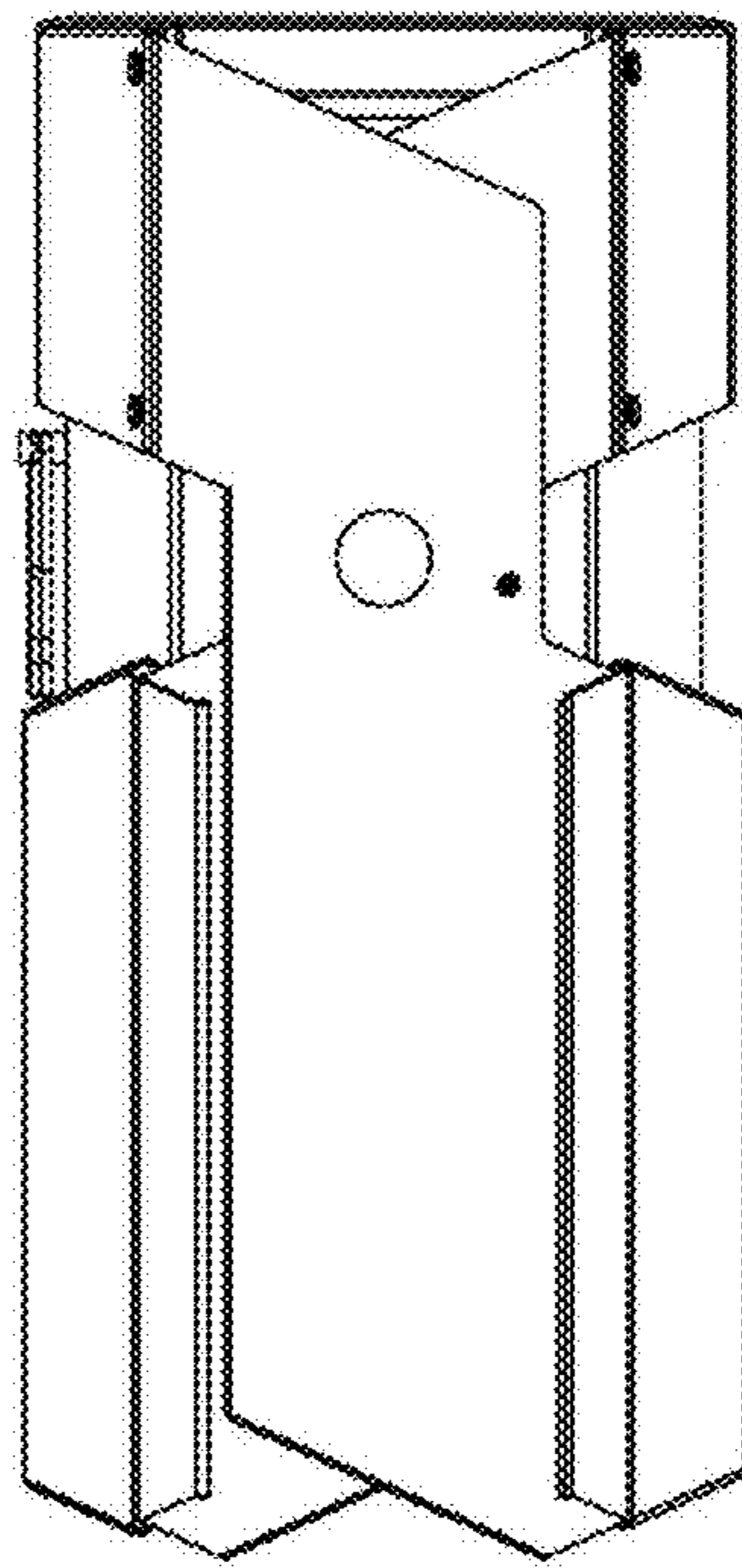


FIG. 10

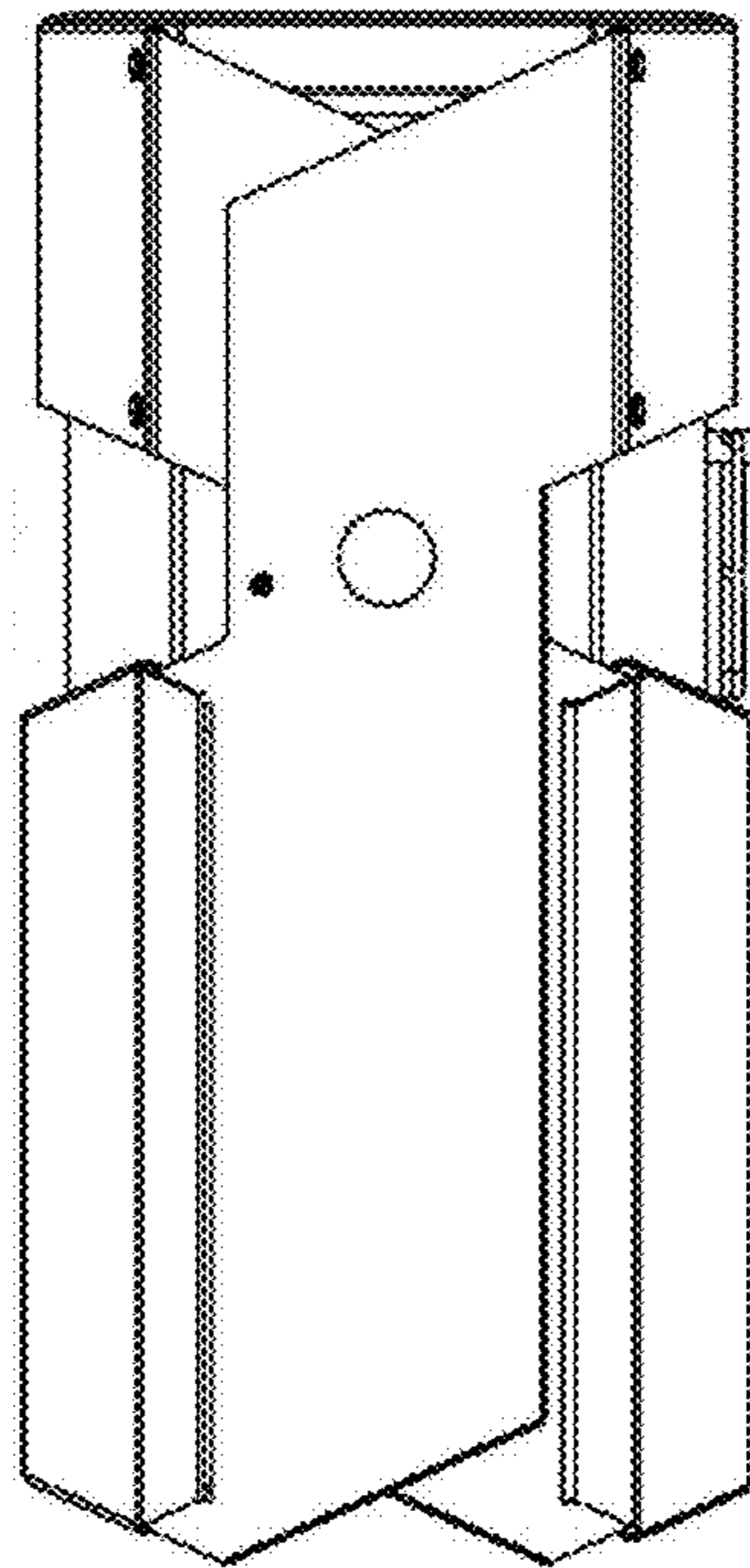


FIG. 11

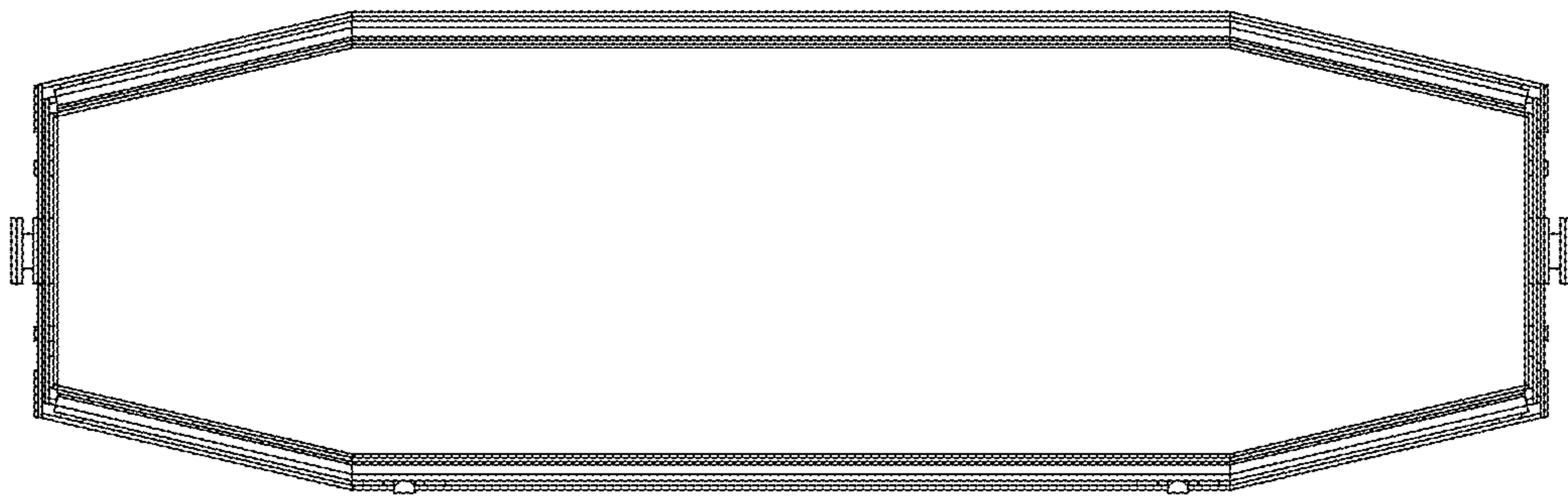


FIG. 12

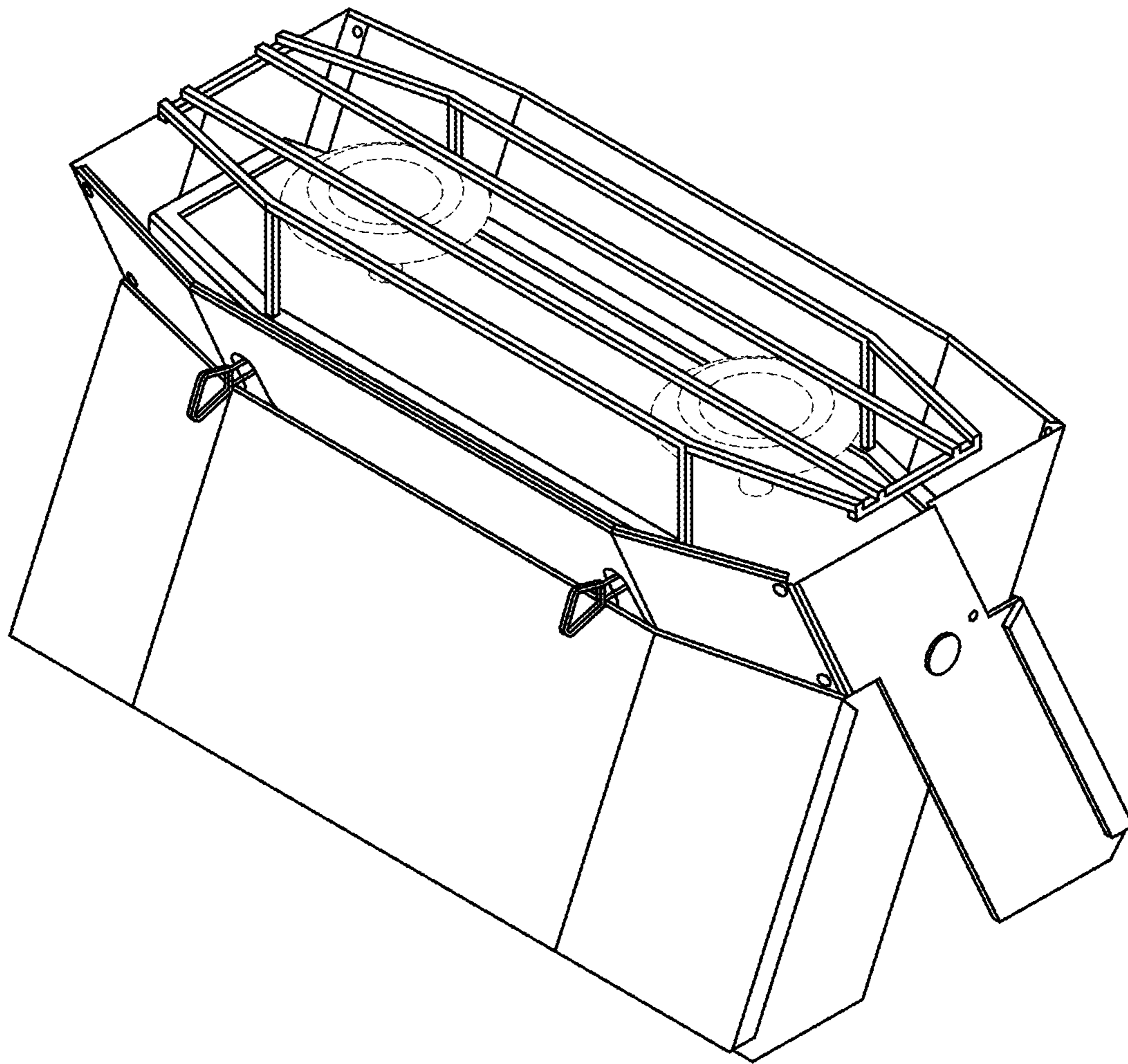


FIG. 13

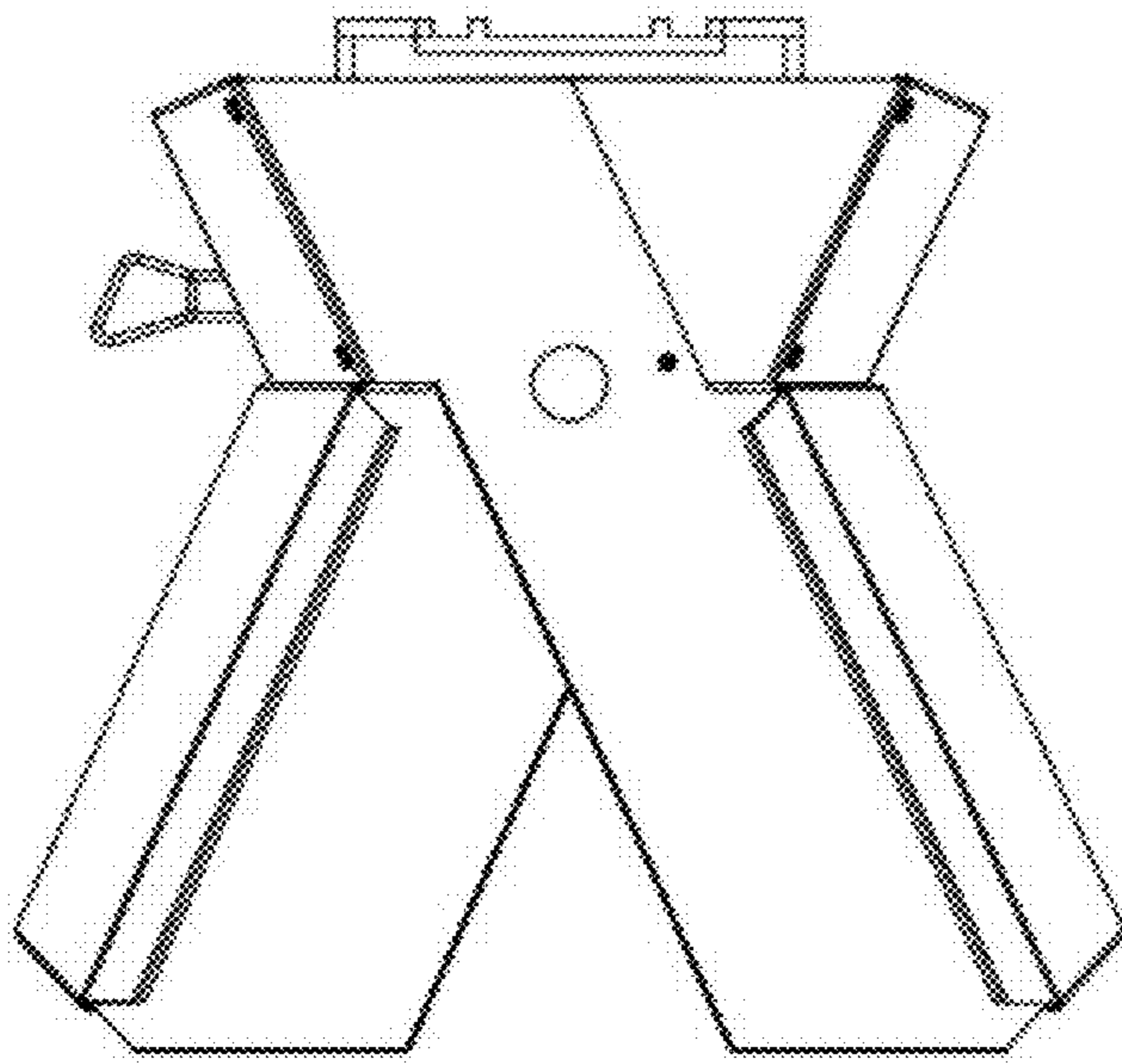


FIG. 14

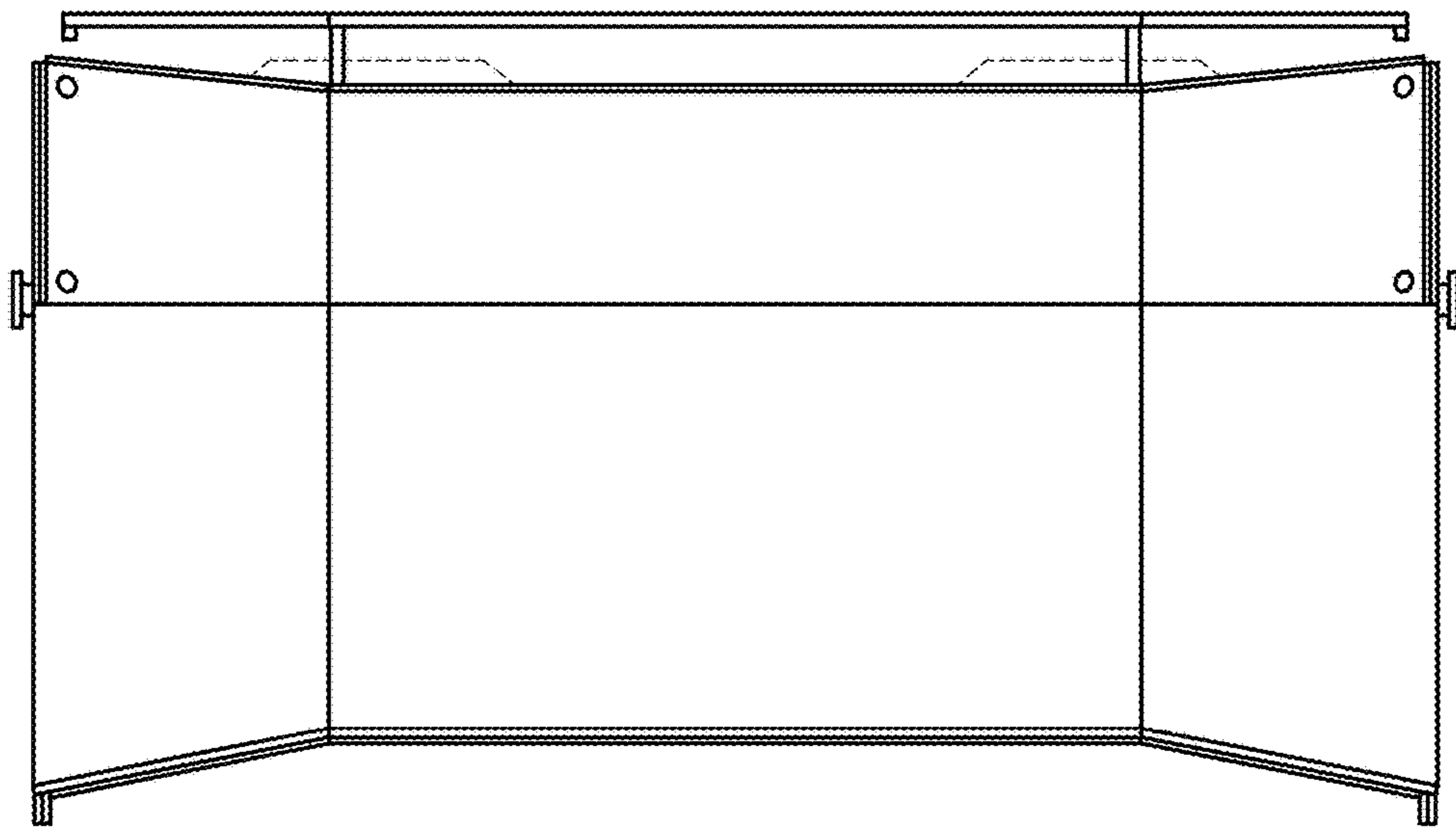


FIG. 15

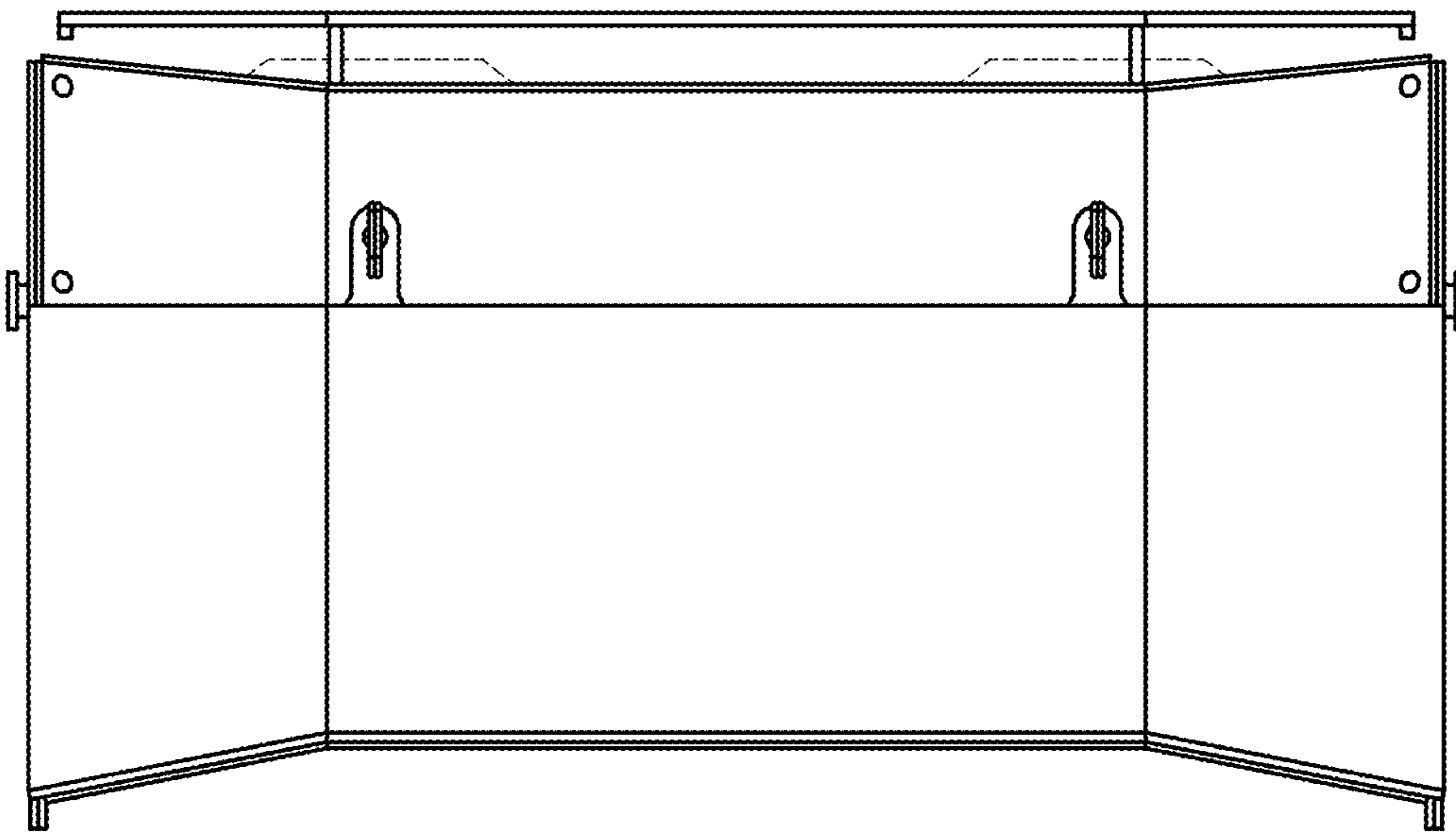


FIG. 16

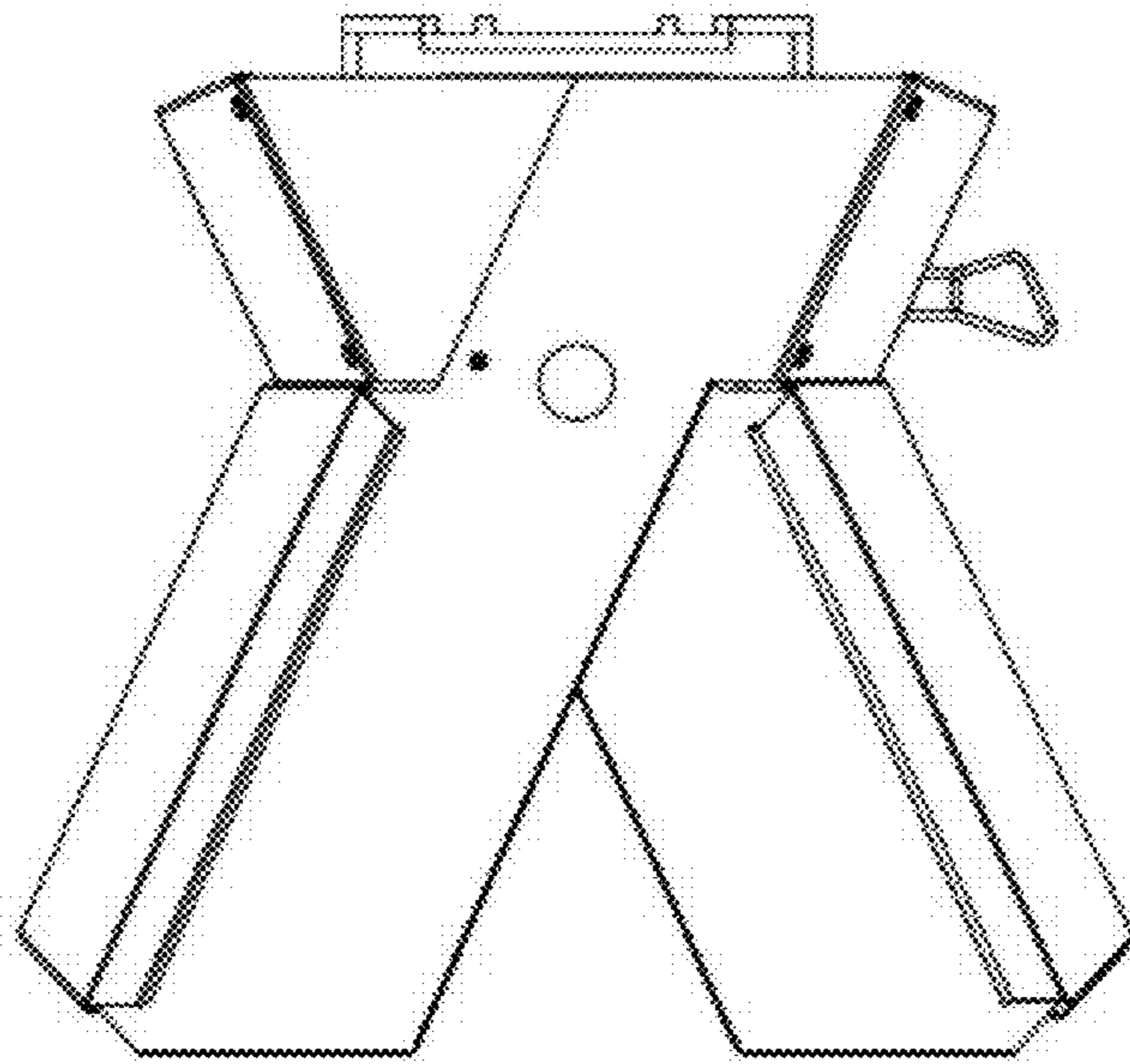


FIG. 17

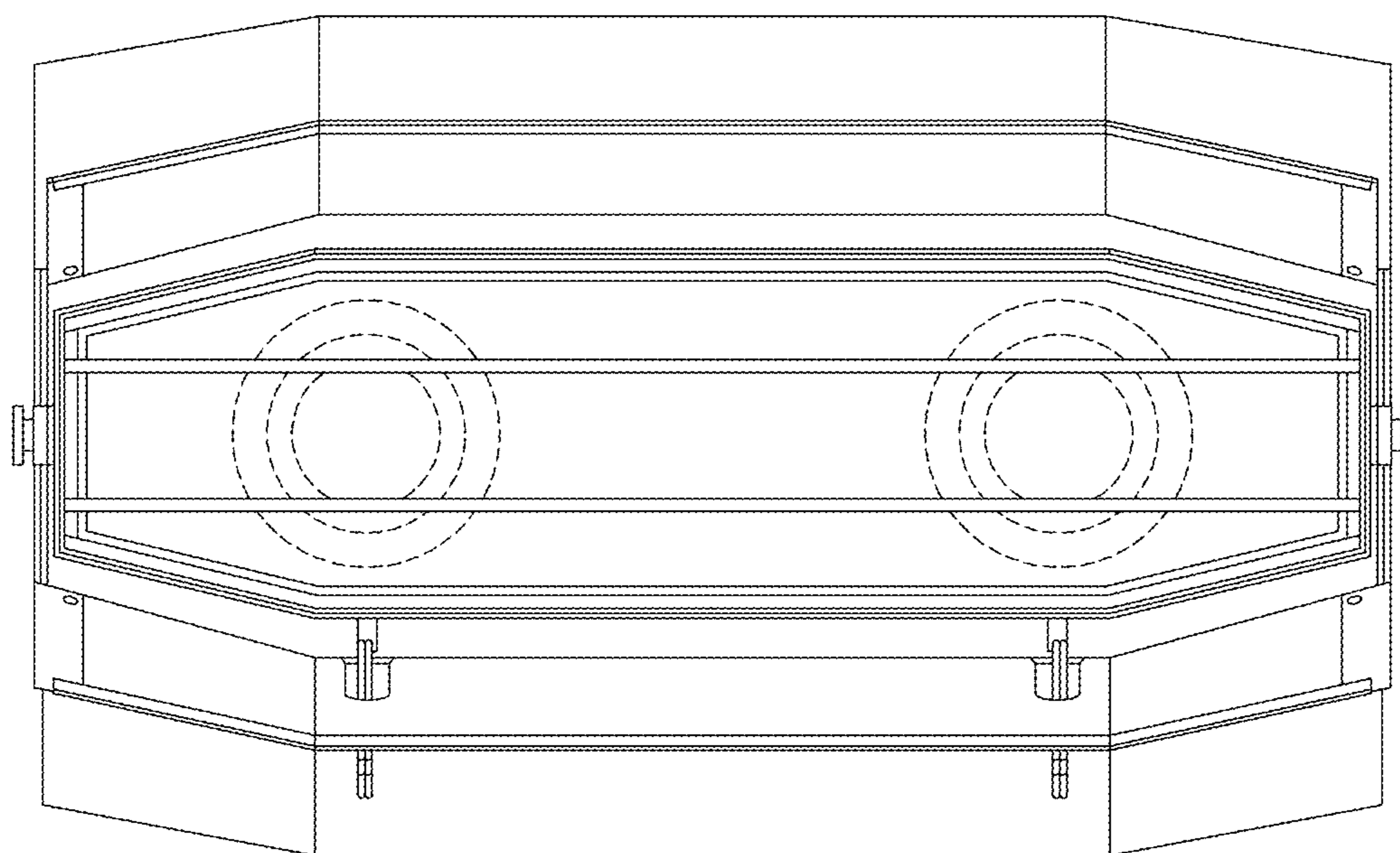


FIG. 18