



US00D814841S

(12) **United States Design Patent**
Sluijter et al.

(10) **Patent No.:** **US D814,841 S**
(45) **Date of Patent:** **** Apr. 10, 2018**

- (54) **BEVERAGE DISPENSER**
- (71) Applicant: **Heineken Supply Chain B.V.**,
Amsterdam (NL)
- (72) Inventors: **Robert Sluijter**, Overveen (NL);
Simon Wilkinson, Leiden (NL)
- (73) Assignee: **HEINEKEN SUPPLY CHAIN B.V.**,
Amsterdam (NL)

D443,792 S *	6/2001	Peters	D7/306
D489,930 S *	5/2004	Tse	D7/306
D496,214 S *	9/2004	Ledingham	D7/309
D501,751 S *	2/2005	Lin	D7/309
D666,049 S *	8/2012	Struzka	D7/306
D685,220 S *	7/2013	Schilders	D7/300
D714,088 S *	9/2014	Cahen	D7/309
D733,480 S *	7/2015	Shao	D7/306
D738,152 S *	9/2015	Grasselli	D7/309
D753,428 S *	4/2016	Shao	D7/306
D777,499 S *	1/2017	McConnell	D7/309
D783,333 S *	4/2017	Burrows	D7/306

(**) Term: **15 Years**

* cited by examiner

(21) Appl. No.: **29/579,404**

Primary Examiner — Marianne Pandozzi

(22) Filed: **Sep. 29, 2016**

(74) *Attorney, Agent, or Firm* — McDermott Will & Emery LLP

(51) **LOC (11) Cl.** **07-01**

(52) **U.S. Cl.**

USPC **D7/306; D7/311**

(58) **Field of Classification Search**

USPC D7/305–311, 313, 300, 376; D15/82;
222/129.1, 146.6; 99/295; D23/207

CPC ... C02F 1/008; B67D 1/36; B67D 2210/0065;
B67D 1/0864; B67D 1/0009; B67D

1/0831; B67D 3/0061; A47J 31/46; A47J

31/4482; A47J 31/369; A47J 31/407;
A47J 31/10; A47J 31/467; A47J 31/0615;

A47J 31/32

See application file for complete search history.

(56) **References Cited**

U.S. PATENT DOCUMENTS

D342,182 S *	12/1993	Garcia de Salazar Camara	D7/309
D353,296 S *	12/1994	Assmann	D7/309

(57) **CLAIM**

The ornamental design for a beverage dispenser, as shown and described.

DESCRIPTION

FIG. 1 is a front perspective view of the beverage dispenser, showing the new design;

FIG. 2 is a rear perspective view of the beverage dispenser;

FIG. 3 is a front view of the beverage dispenser;

FIG. 4 is a rear view of the beverage dispenser;

FIG. 5 is a right side view of the beverage dispenser;

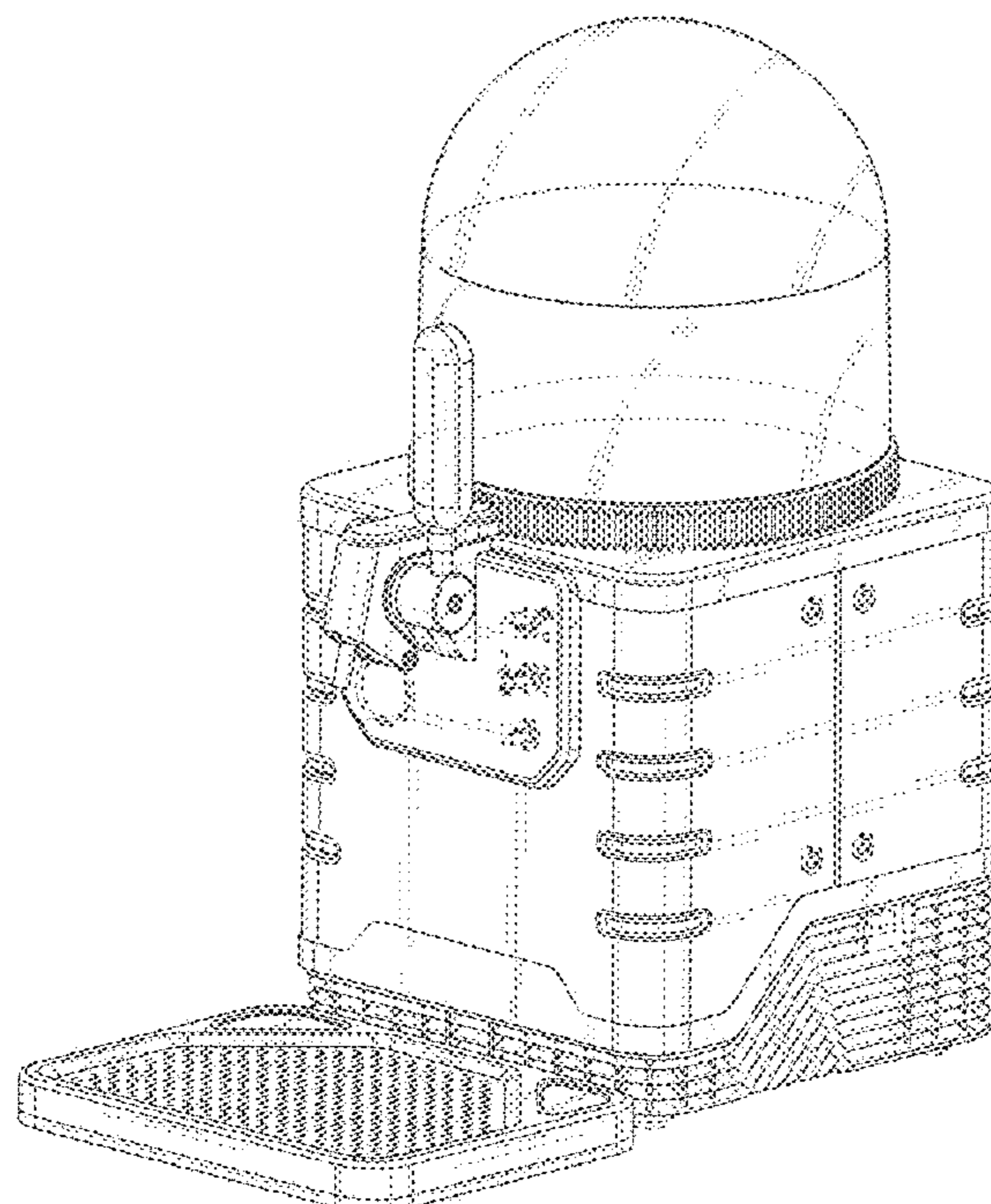
FIG. 6 is a left side view of the beverage dispenser;

FIG. 7 is a top view of the beverage dispenser; and,

FIG. 8 is a bottom view of the beverage dispenser.

The broken lines in the drawing depict portions of the beverage dispenser that form no part of the claimed design.

1 Claim, 8 Drawing Sheets



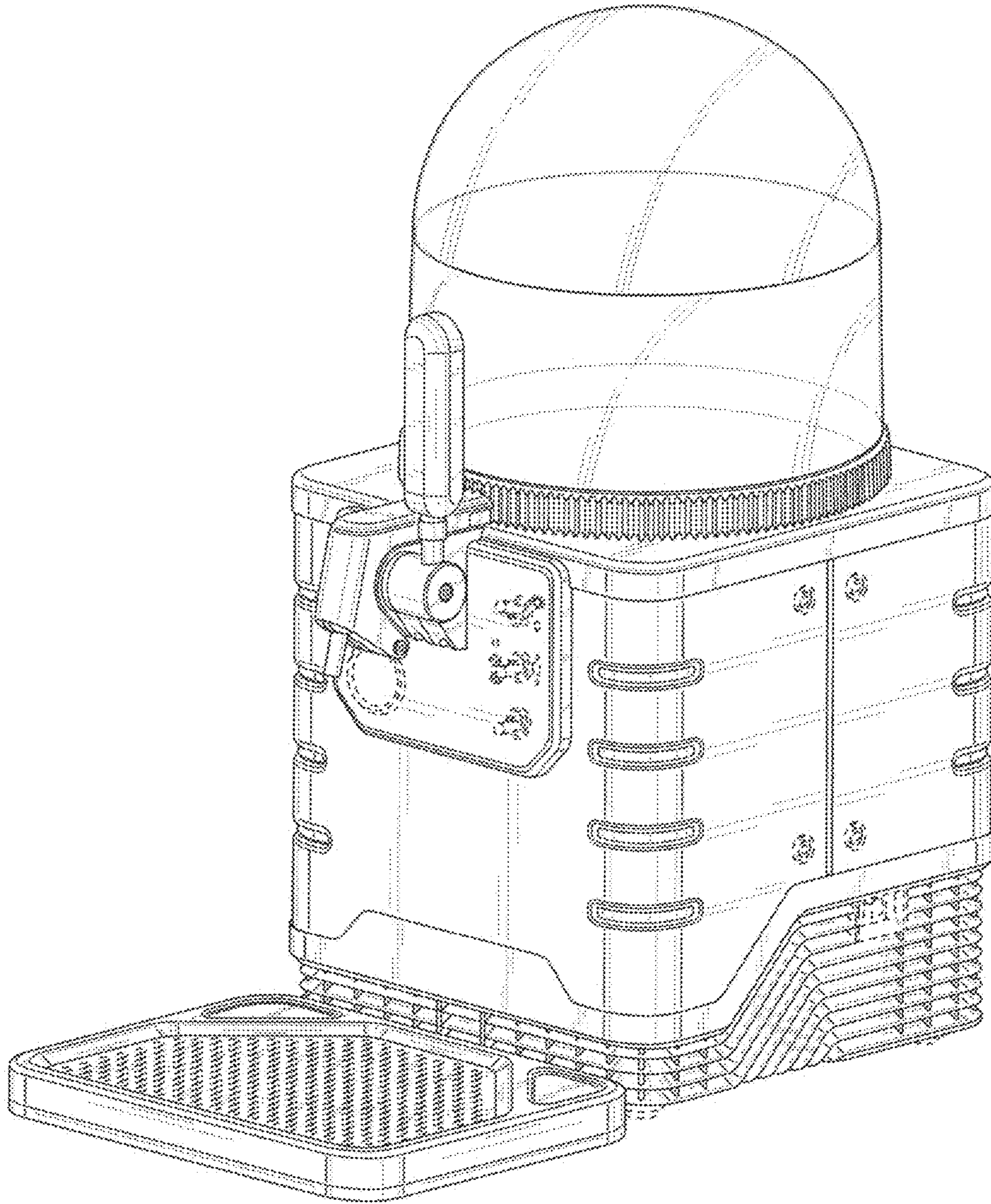


FIG. 1

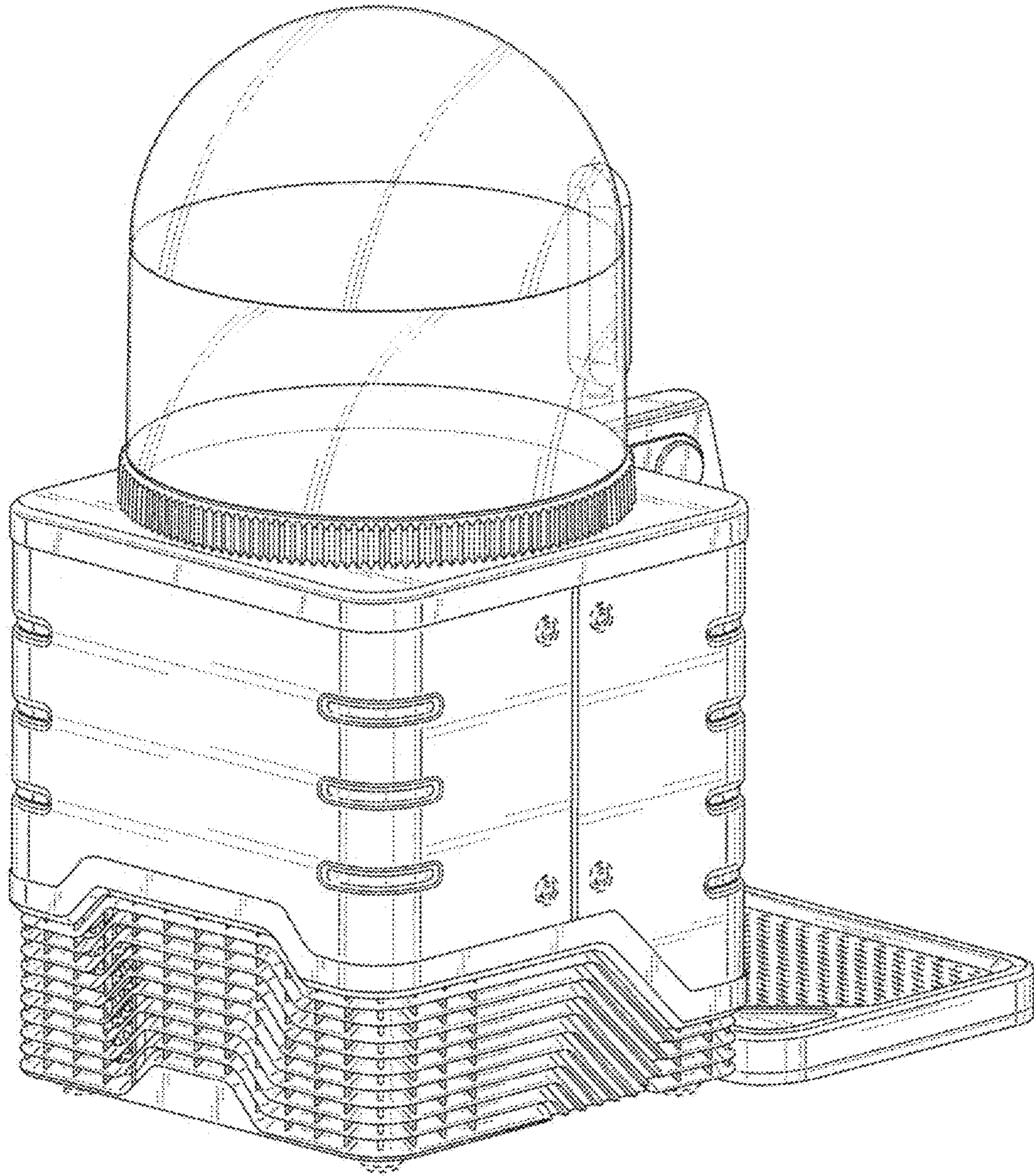


FIG. 2

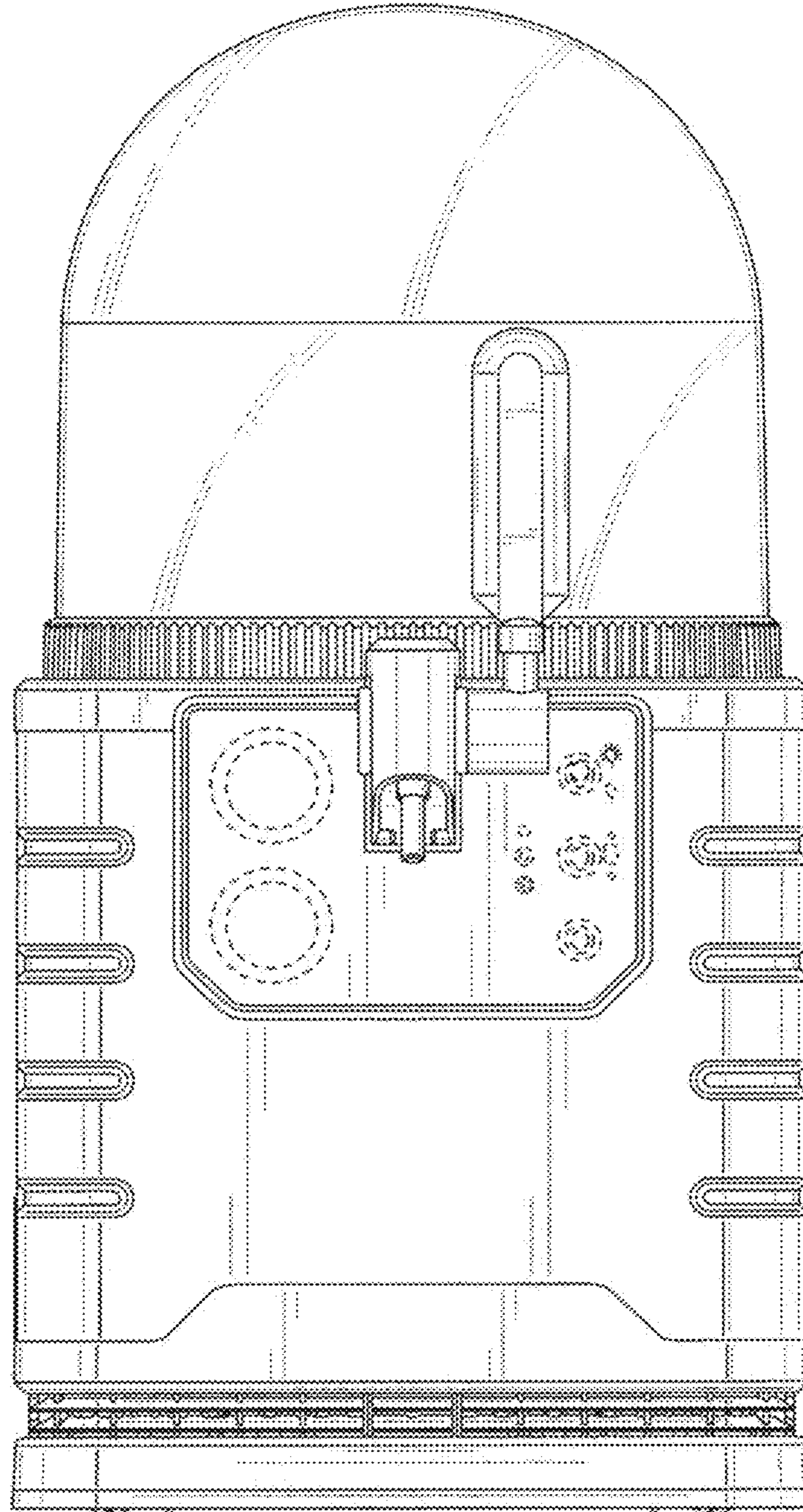


FIG. 3

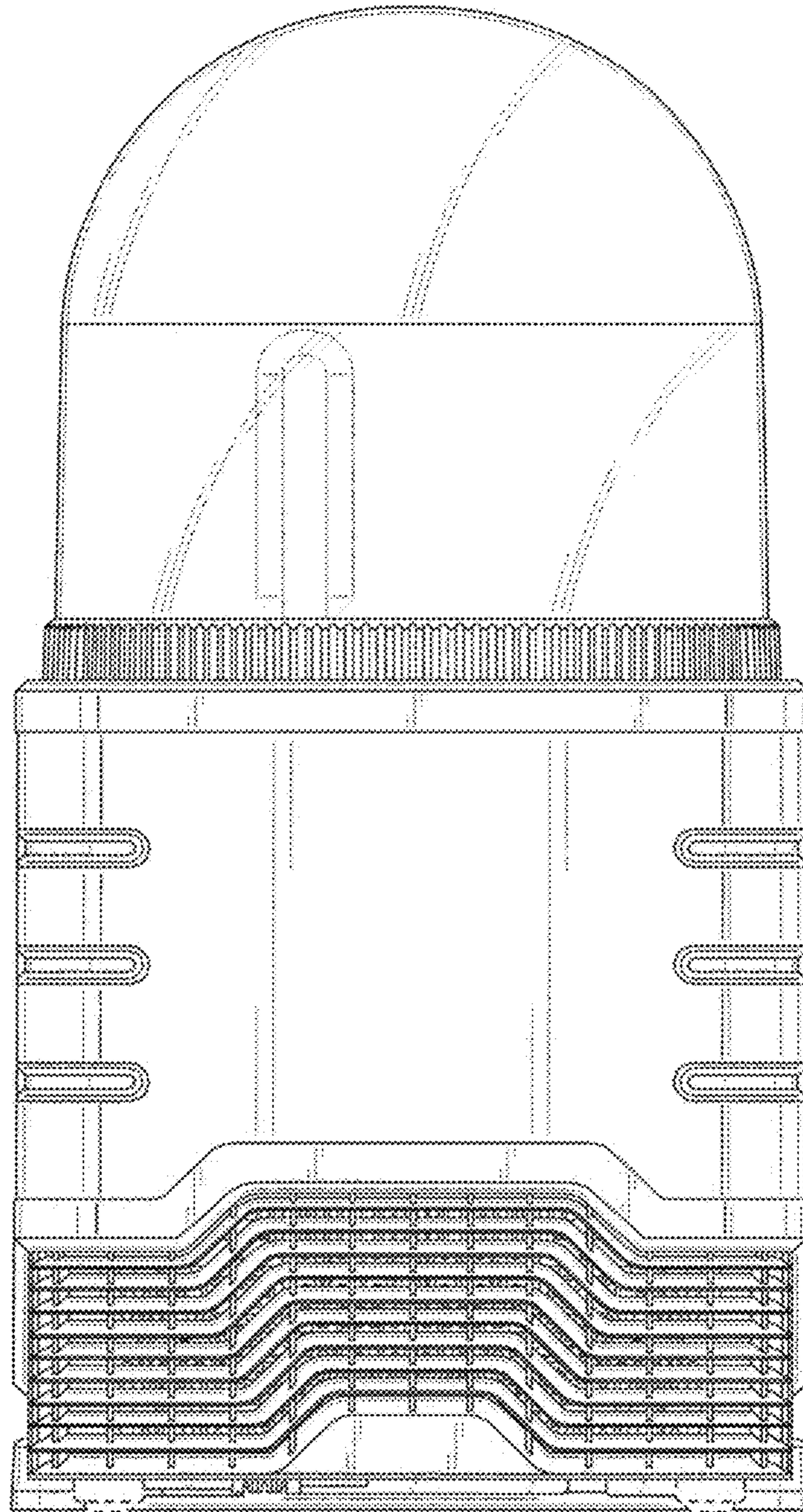


FIG. 4

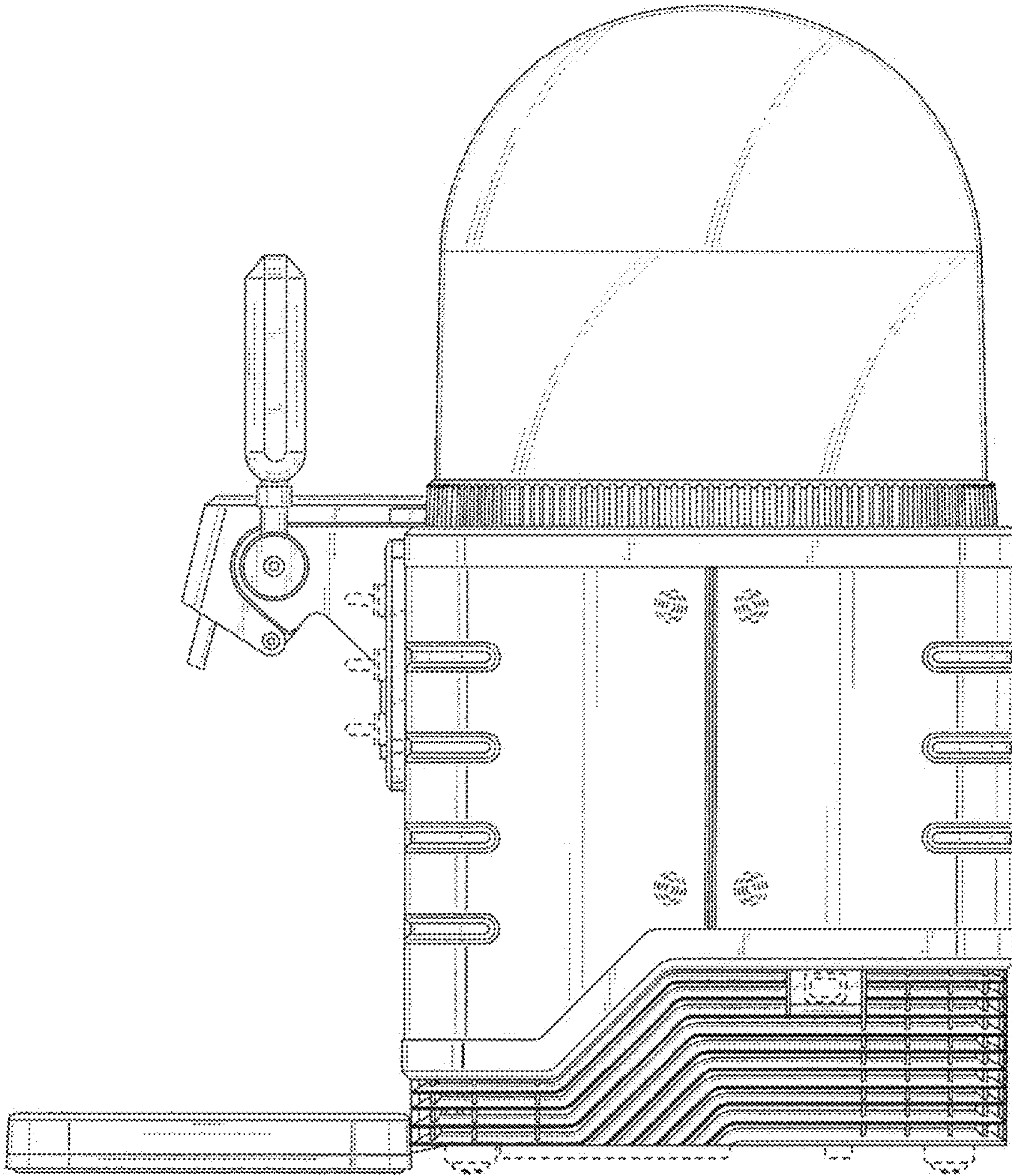


FIG. 5

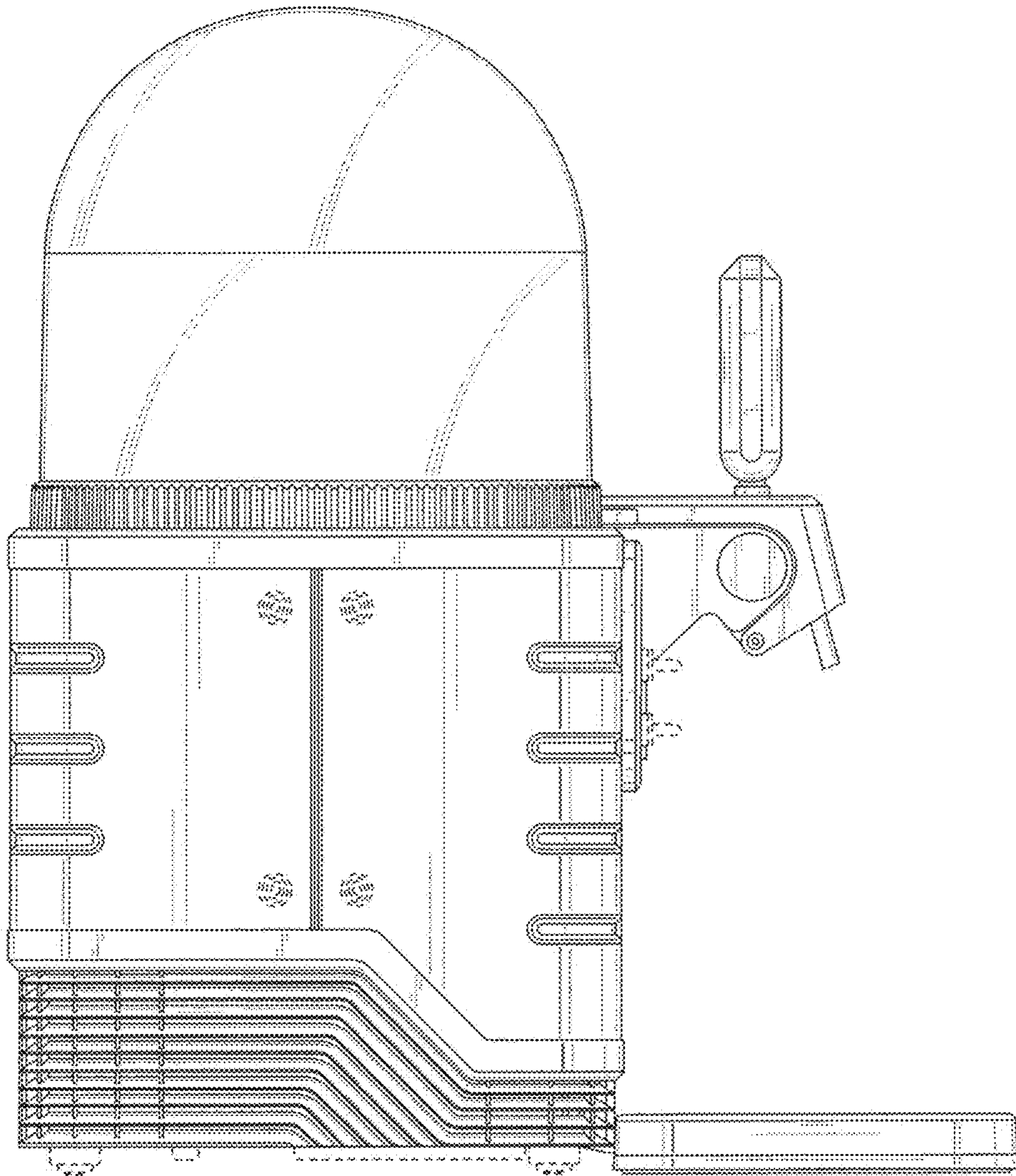


FIG. 6

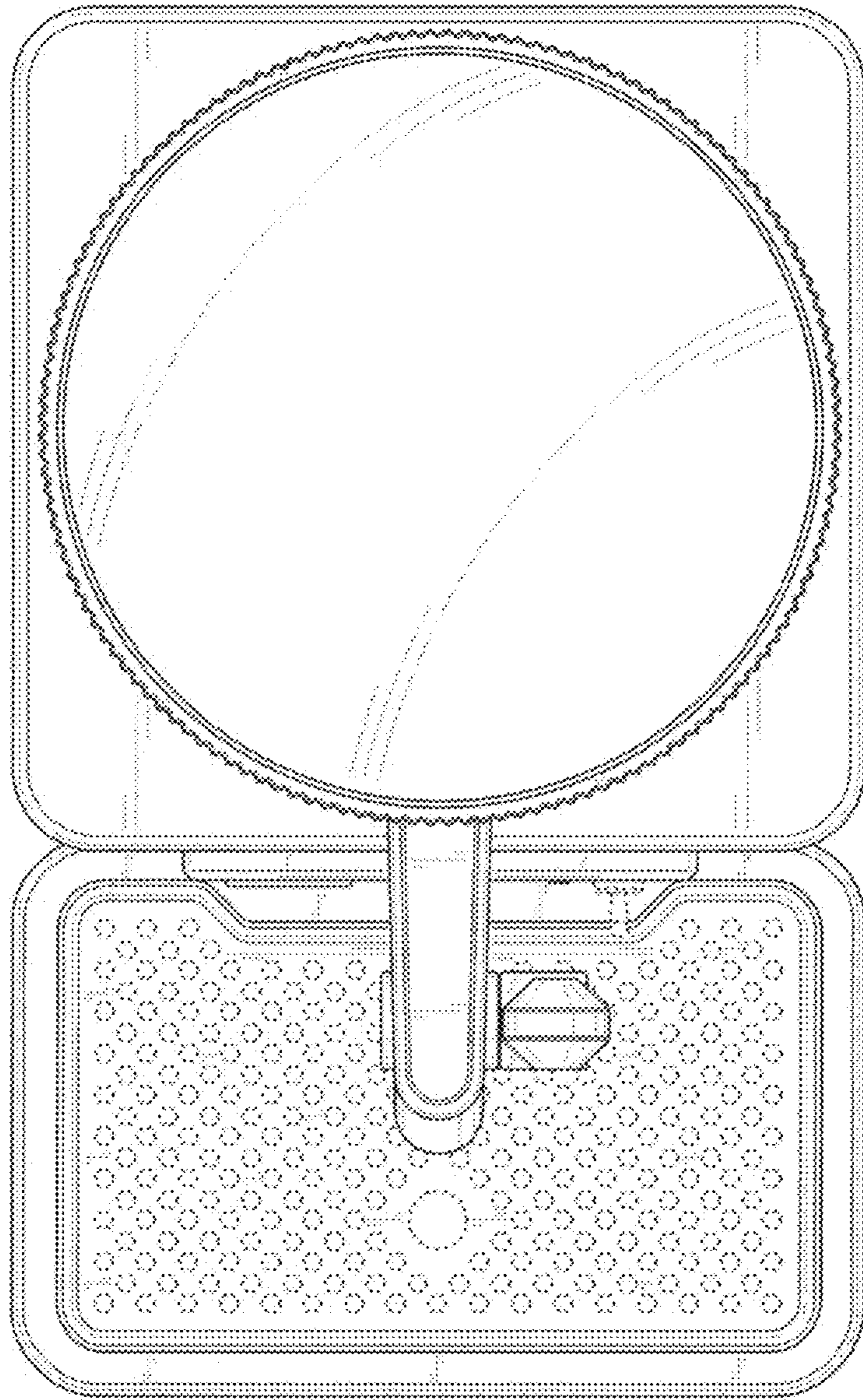


FIG. 7

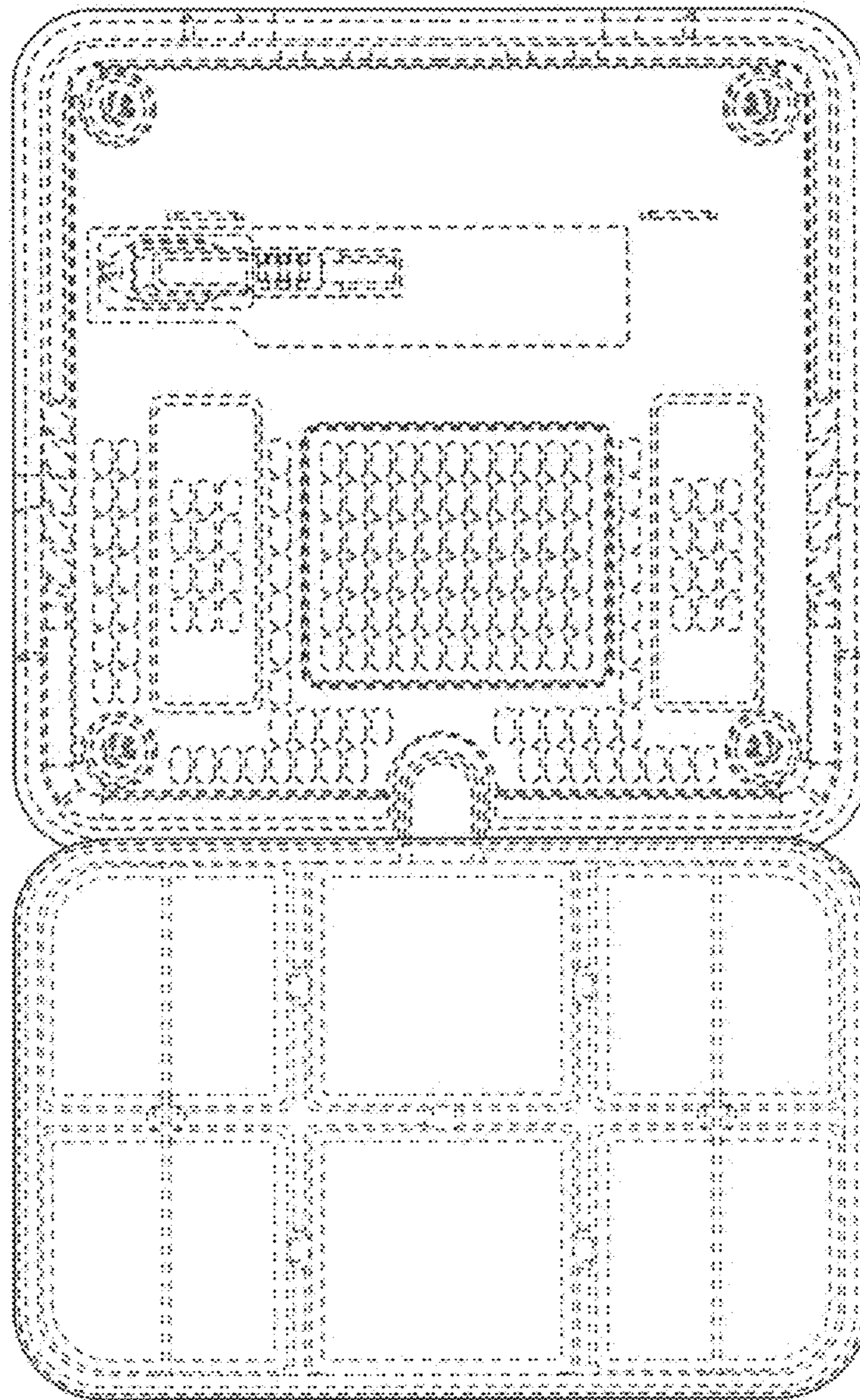


FIG. 8