



US00D814839S

(12) **United States Design Patent**
Stirling

(10) **Patent No.:** **US D814,839 S**

(45) **Date of Patent:** **** *Apr. 10, 2018**

(54) **BENCH**

(71) Applicant: **Hawkeye Plastic Products Co.,**
Nashua, IA (US)

(72) Inventor: **Steven O. Stirling,** Nashua, IA (US)

(73) Assignee: **HAWKEYE PLASTIC PRODUCTS**
CO., Charles City, IA (US)

(*) Notice: This patent is subject to a terminal disclaimer.

(**) Term: **15 Years**

(21) Appl. No.: **29/570,159**

(22) Filed: **Jul. 6, 2016**

(51) **LOC (11) Cl.** **06-01**

(52) **U.S. Cl.**
USPC **D6/716**

(58) **Field of Classification Search**
USPC D6/334-336, 370, 371, 372, 373, 374,
D6/379, 716, 716.1, 716.2, 716.3, 716.4,
D6/717

CPC A47C 5/12; A47C 4/02; A47C 4/03; A47C
4/028; A47C 7/16; A47C 11/00

See application file for complete search history.

(56) **References Cited**

U.S. PATENT DOCUMENTS

139,021 A * 5/1873 Parker A47C 11/00
297/257
D44,562 S * 8/1913 Haase 297/440.13

D46,770 S * 12/1914 Haase 297/440.22
D51,553 S * 12/1917 Haase D6/370
D74,504 S * 2/1928 Haase D6/370
D112,182 S * 11/1938 Schmitt D6/370
D127,713 S * 6/1941 Haase D6/370
D266,133 S * 9/1982 Stahl, Jr. D6/717
D296,961 S * 8/1988 Norton D6/370
D758,775 S * 6/2016 Stirling D6/717

* cited by examiner

Primary Examiner — Mimoso De

(74) *Attorney, Agent, or Firm* — Christopher A. Proskey

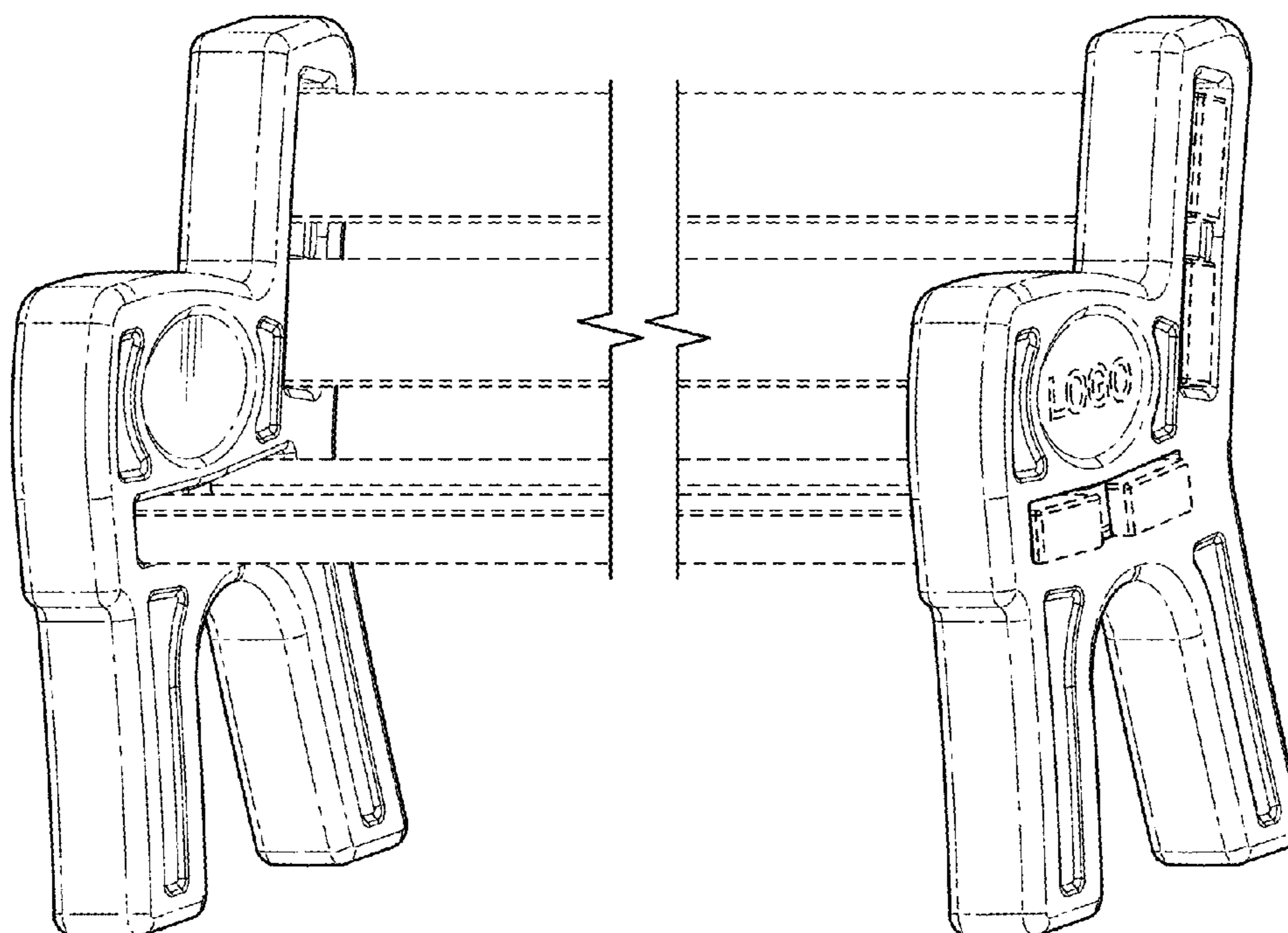
(57) **CLAIM**

I claim the ornamental design for a bench, substantially as shown and described.

DESCRIPTION

FIG. 1 is a perspective view of the front of the bench;
FIG. 2 is a perspective view of the front of the bench;
FIG. 3 is a perspective view of the front of the bench;
FIG. 4 is an elevation view of the front side of the bench;
FIG. 5 is an elevation view of the back side of the bench;
FIG. 6 is an elevation view of the left side of the bench;
FIG. 7 is an elevation view of the right side of the bench
FIG. 8 is an elevation view of the top of the bench; and,
FIG. 9 is an elevation view of the bottom of the bench.
The broken lines showing portions of the design in all figures is included for the purpose of illustrating environment and unclaimed features and forms not part of the claimed design.

1 Claim, 6 Drawing Sheets



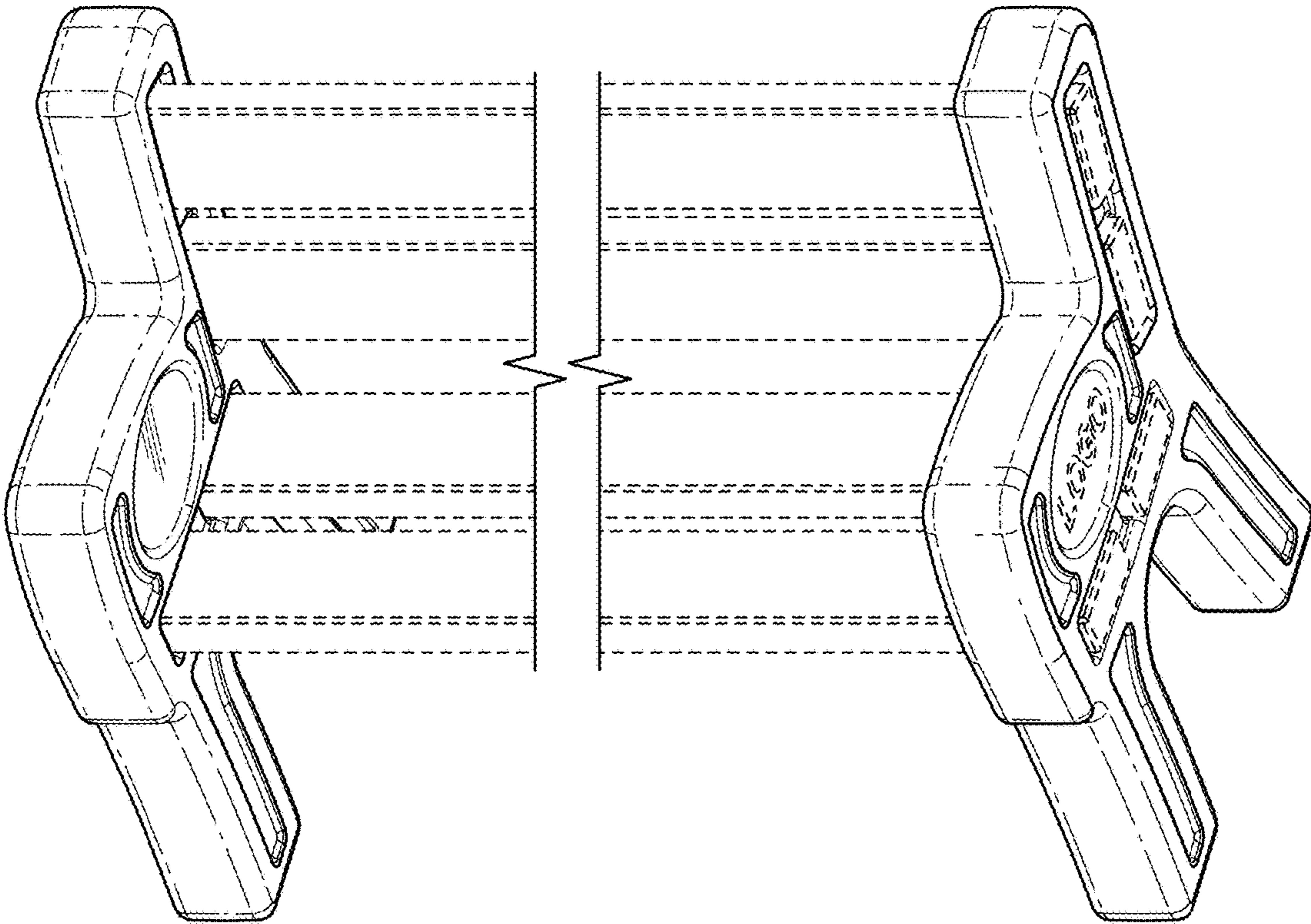


FIG. 1

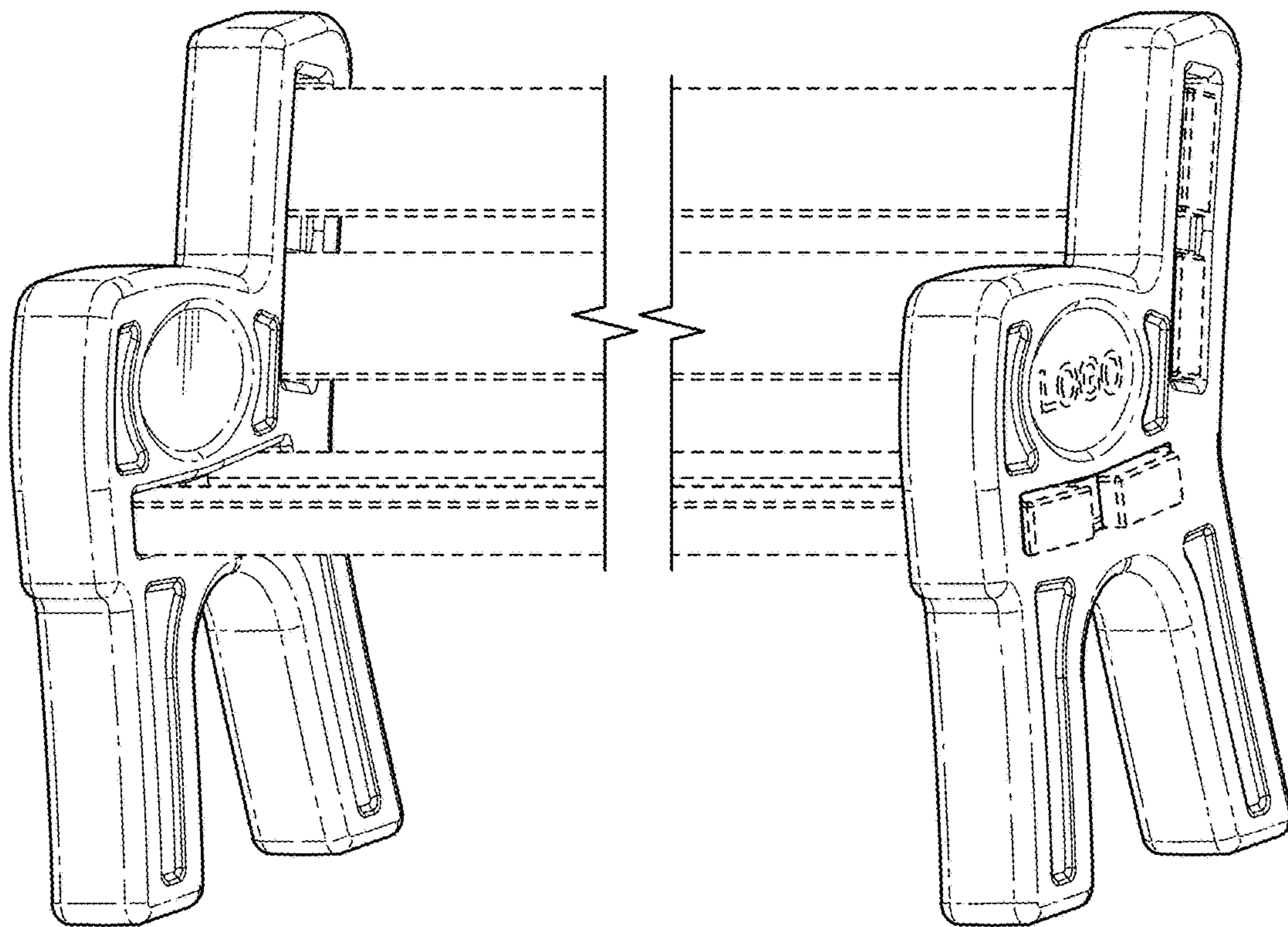


FIG. 2

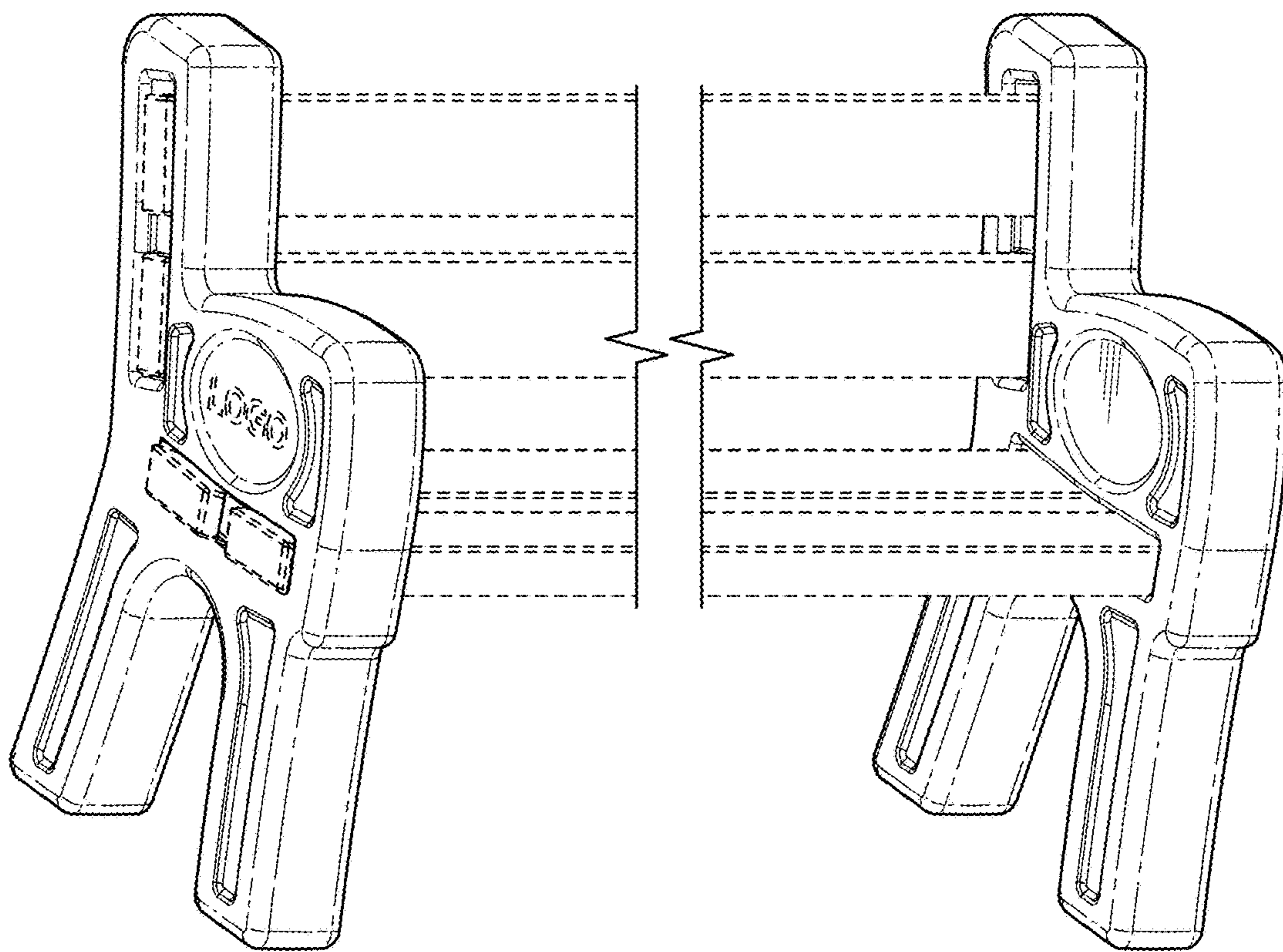


FIG. 3

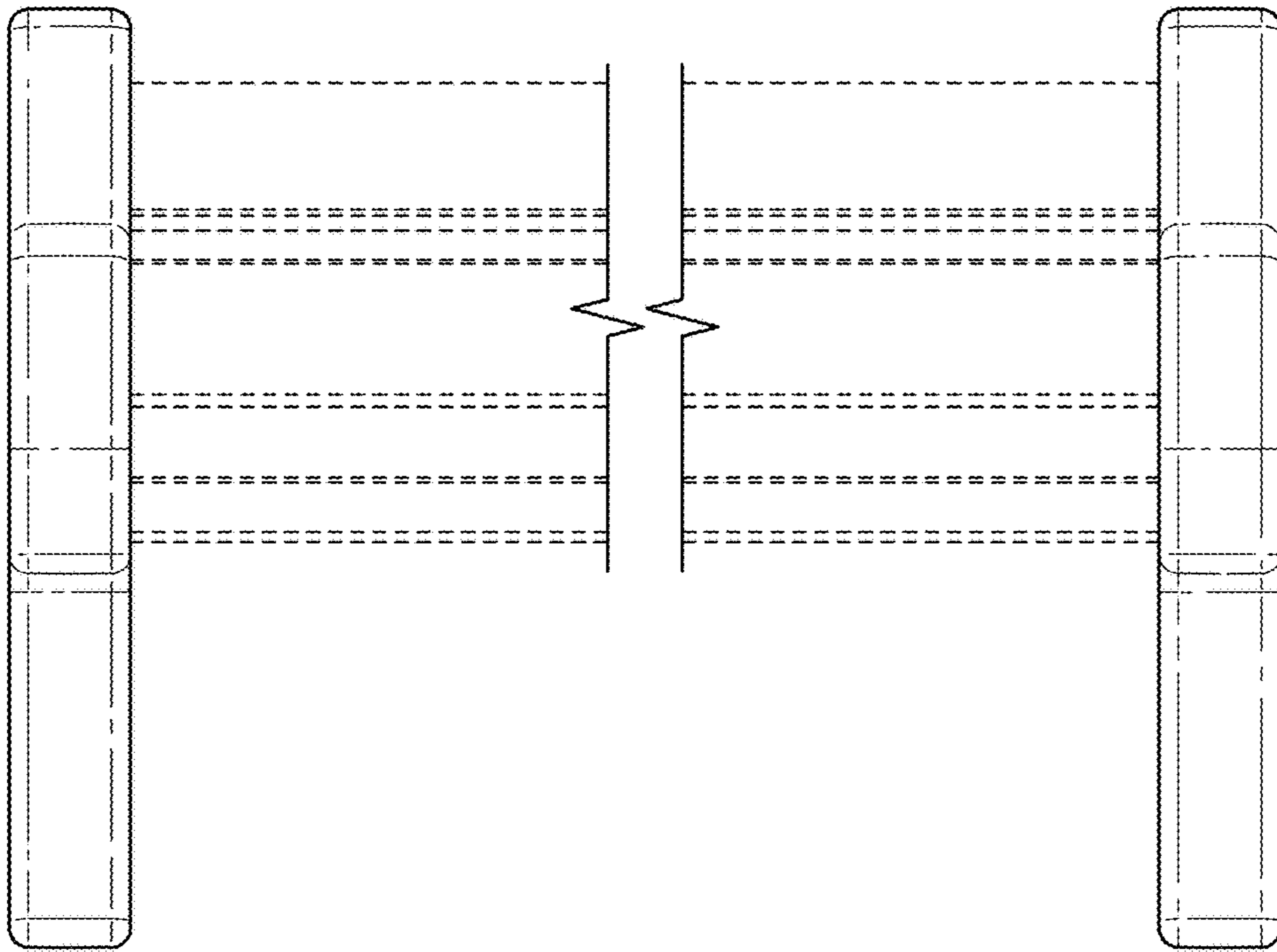


FIG. 4

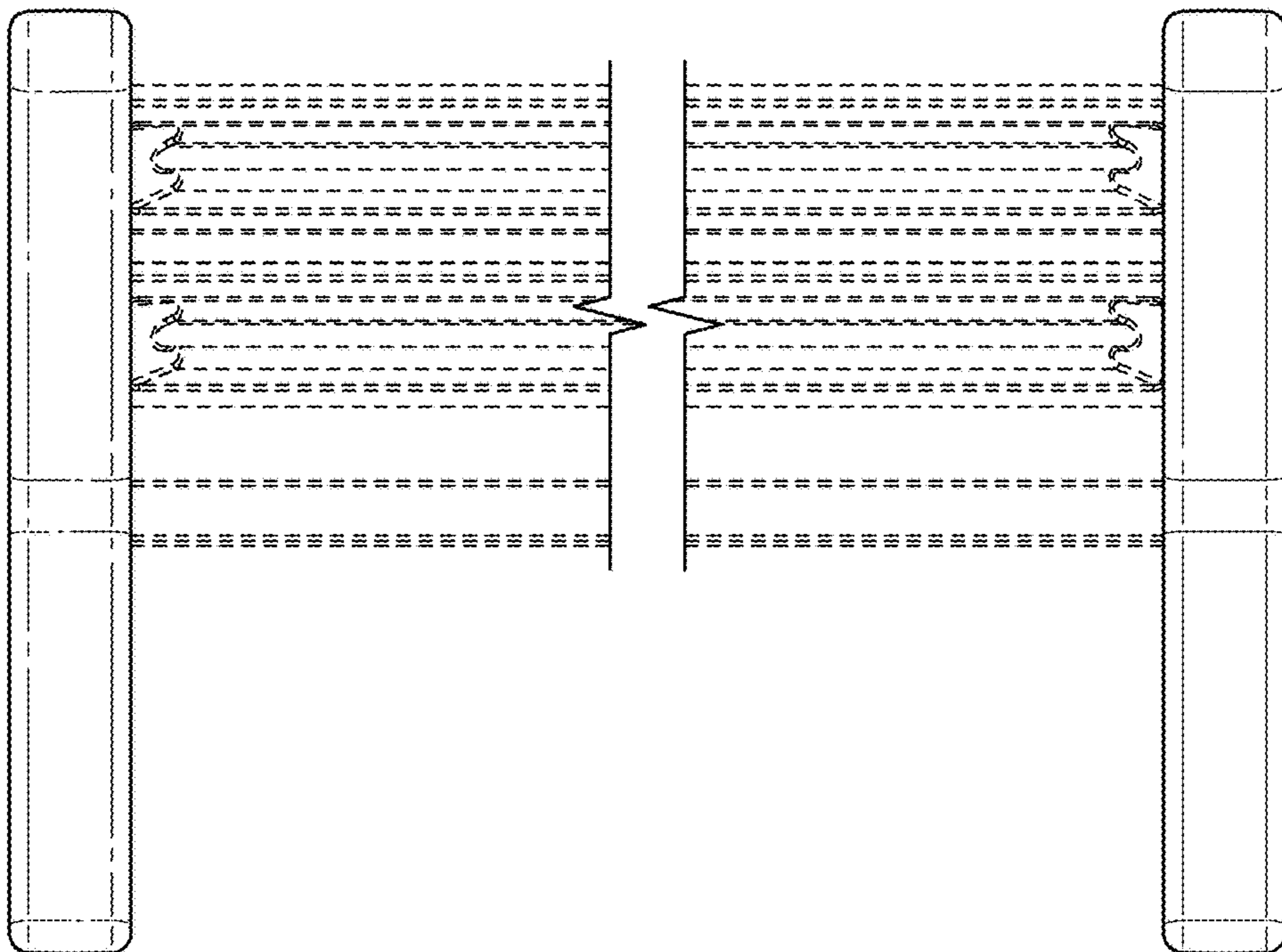


FIG. 5

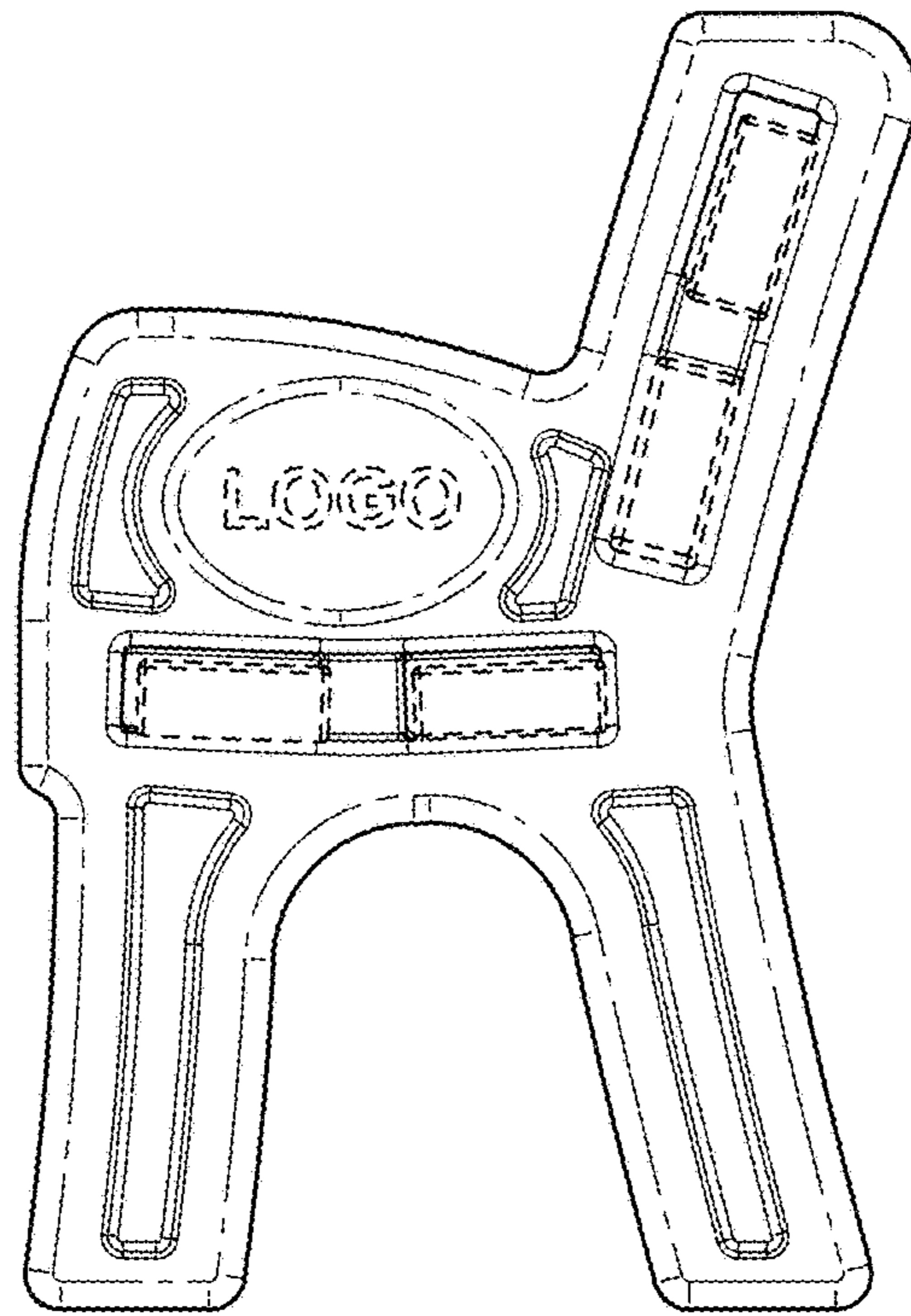


FIG. 6

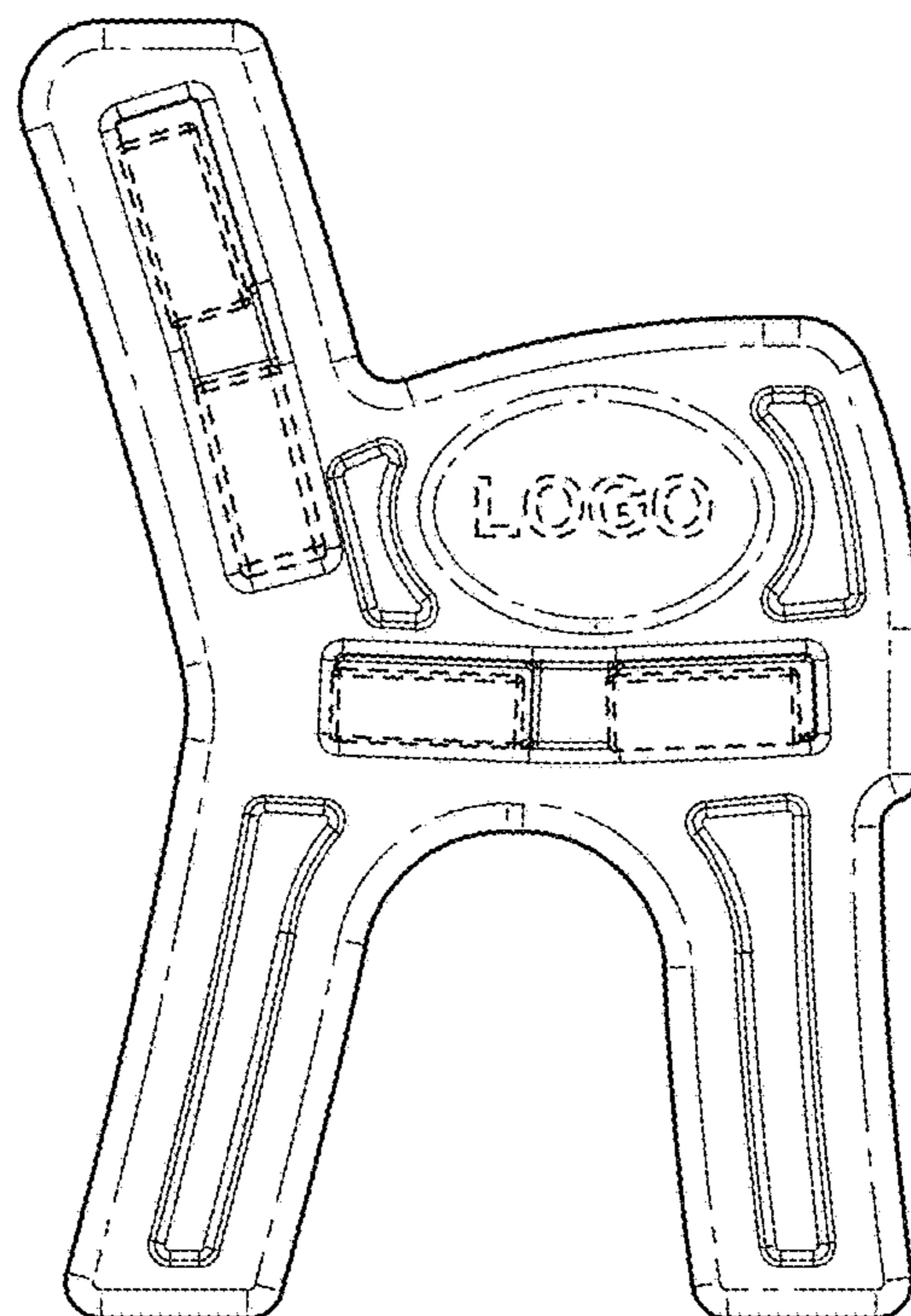


FIG. 7

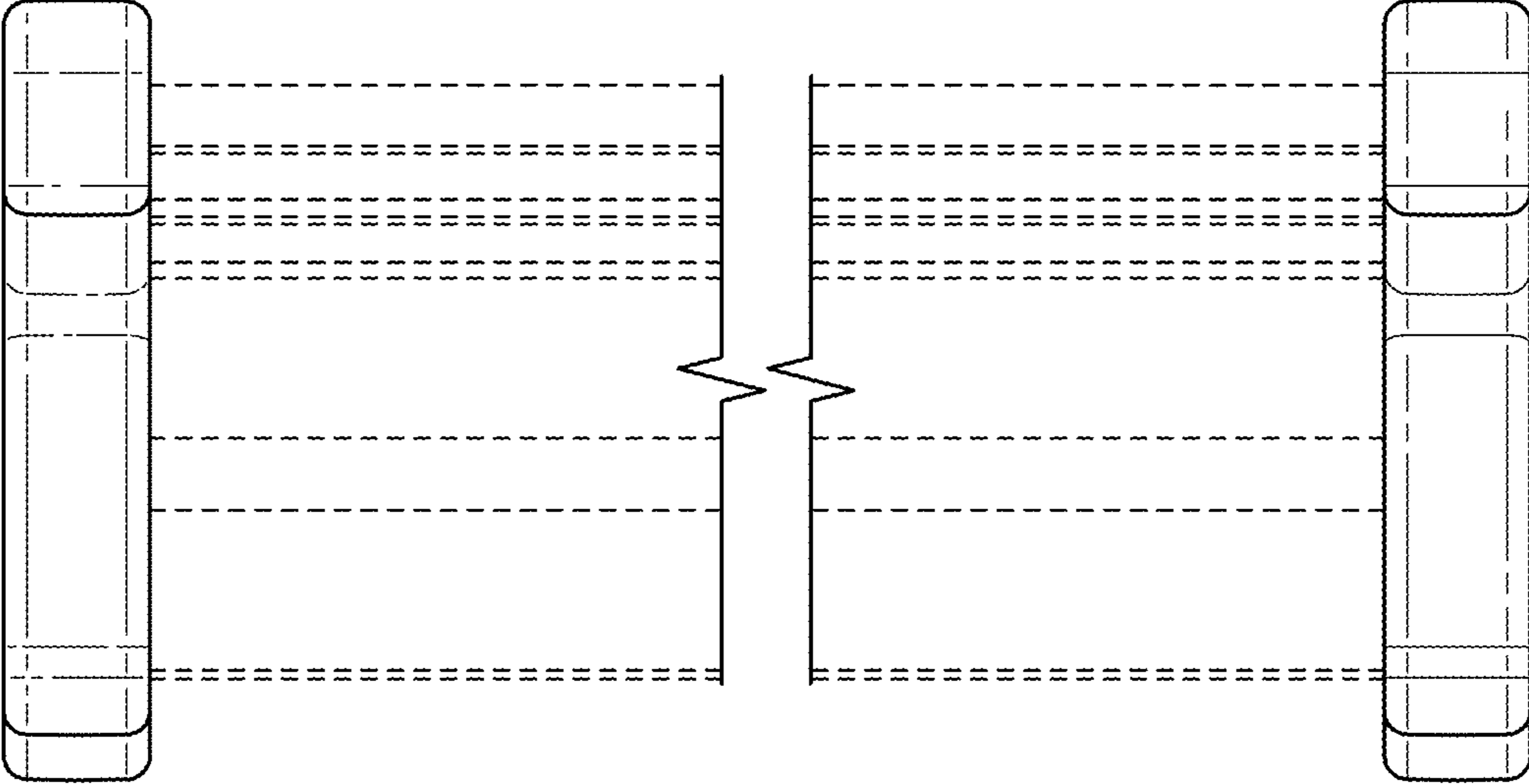


FIG. 8

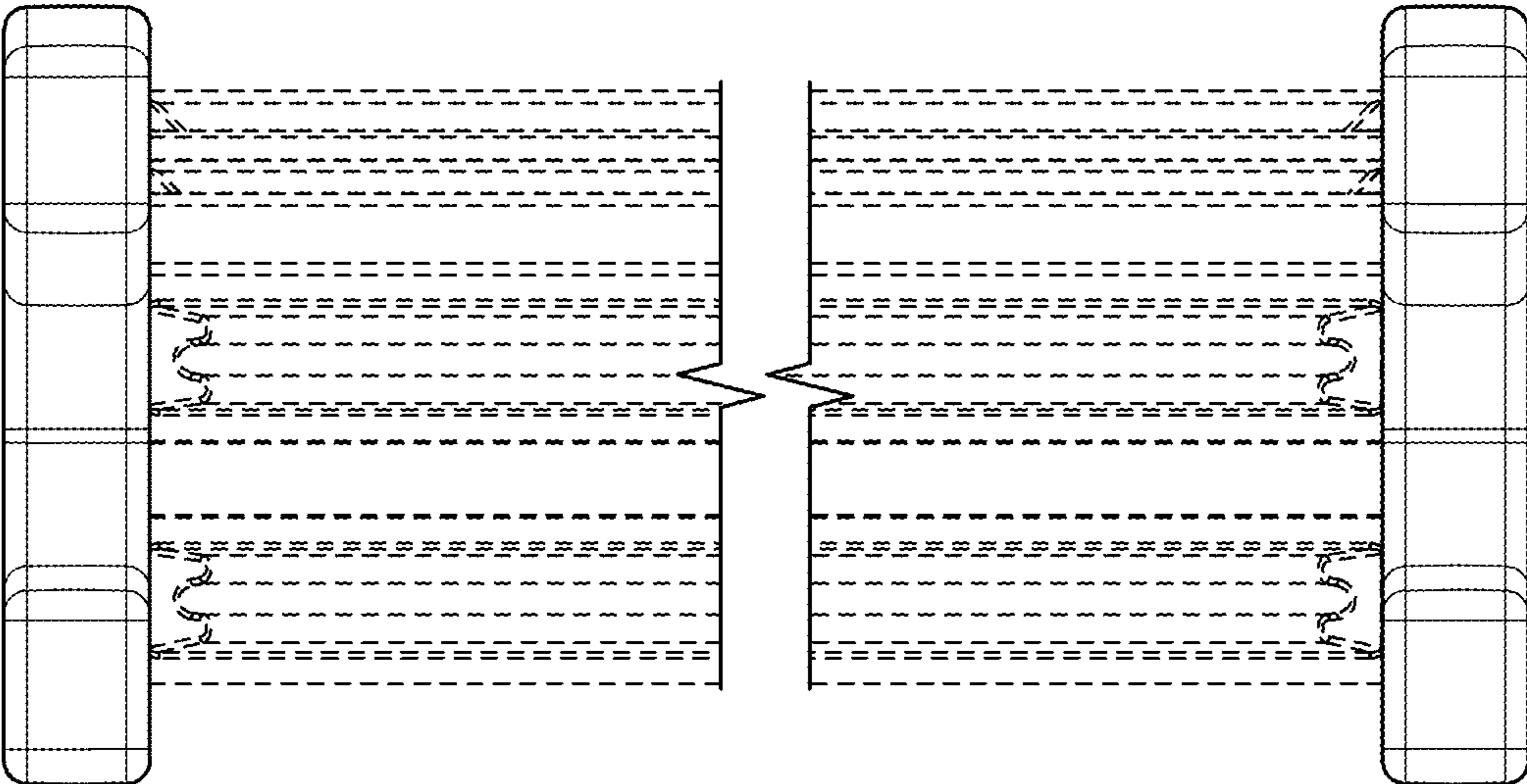


FIG. 9