



US00D814837S

(12) **United States Design Patent**
Van Huystee et al.

(10) **Patent No.:** **US D814,837 S**
(45) **Date of Patent:** **** Apr. 10, 2018**

(54) **FRAME FOR AN INFANT RECEIVING DEVICE**

(71) Applicant: **Mattel, Inc.**, El Segundo, CA (US)

(72) Inventors: **Maarten Van Huystee**, Lancaster, NY (US); **Philip R. Pyrcce**, Getzville, NY (US); **Ross Rumfola, III**, Akron, NY (US); **Matthew Alan Szymanski**, East Aurora, NY (US)

(73) Assignee: **Mattel, Inc.**, El Segundo, CA (US)

(**) Term: **15 Years**

(21) Appl. No.: **29/552,436**

(22) Filed: **Jan. 22, 2016**

(51) **LOC (11) Cl.** **06-01**

(52) **U.S. Cl.**
USPC **D6/715; D6/347**

(58) **Field of Classification Search**
USPC D6/334, 335, 336, 344, 347, 348, 375, D6/708.16, 715

CPC A47D 13/00; A47D 13/10; A47D 13/102; A47D 13/105; A47D 13/107; A47D 9/02; A63G 9/16

See application file for complete search history.

(56) **References Cited**

U.S. PATENT DOCUMENTS

- 6,908,397 B2 * 6/2005 Armbruster A47D 13/105 446/227
- 7,252,594 B2 * 8/2007 Armbruster A47D 13/105 472/119
- 7,824,273 B2 * 11/2010 Clapper A47D 9/02 472/119
- D662,737 S * 7/2012 Yu D6/347
- 8,308,578 B2 * 11/2012 Gilbert A47D 13/105 297/260.2

- 8,602,903 B2 * 12/2013 Gilbert A47D 13/105 472/119
- 8,661,582 B2 * 3/2014 Sclare A47D 9/02 472/118
- 8,932,143 B2 * 1/2015 Pyrcce A47D 13/105 472/119
- D737,616 S * 9/2015 Mountz D6/708.16
- D750,924 S * 3/2016 Van Huystee D6/715
- 9,295,342 B2 * 3/2016 Ferraro A47D 9/02
- 9,370,258 B1 * 6/2016 vom Scheidt, Jr. .. A47D 13/105
- 9,775,445 B2 * 10/2017 Burns A47D 13/105

* cited by examiner

Primary Examiner — Mimoso De

(74) *Attorney, Agent, or Firm* — Edell, Shapiro & Finnan, LLC

(57) **CLAIM**

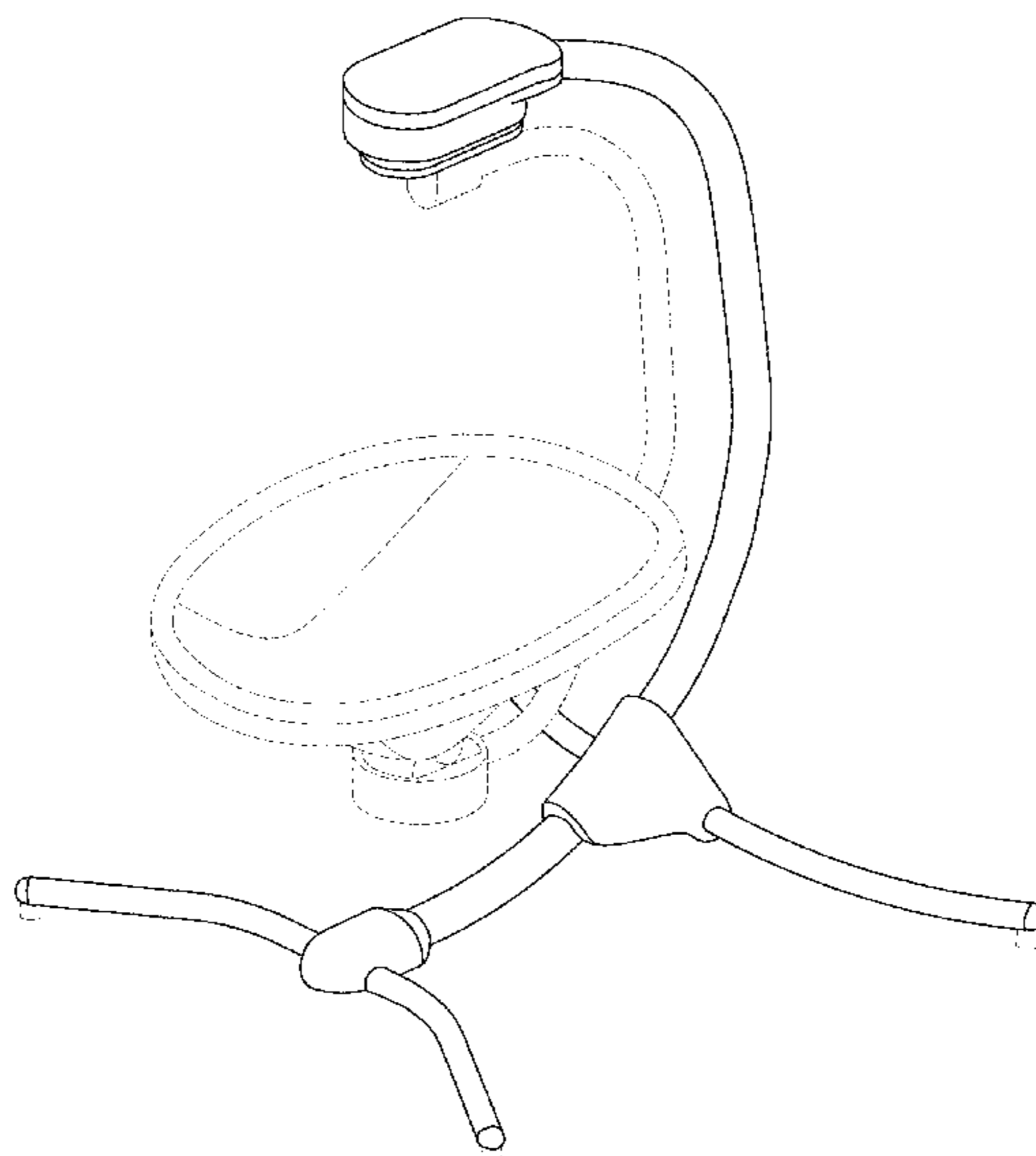
The ornamental design for a frame for an infant receiving device, as shown and described.

DESCRIPTION

FIG. 1 is a front perspective view of a frame for an infant receiving device according to the present invention;
 FIG. 2 is a front view of the frame for an infant receiving device of FIG. 1;
 FIG. 3 is a rear view of the frame for an infant receiving device of FIG. 1;
 FIG. 4 is a left side view of the frame for an infant receiving device of FIG. 1;
 FIG. 5 is a right side view of the frame for an infant receiving device of FIG. 1;
 FIG. 6 is a top view of the frame for an infant receiving device of FIG. 1; and,
 FIG. 7 is a bottom view of the frame for an infant receiving device of FIG. 1.

The broken lines shown in the figures are included for the purpose of illustrating the unclaimed portions of the article and form no part of the claimed design.

1 Claim, 7 Drawing Sheets



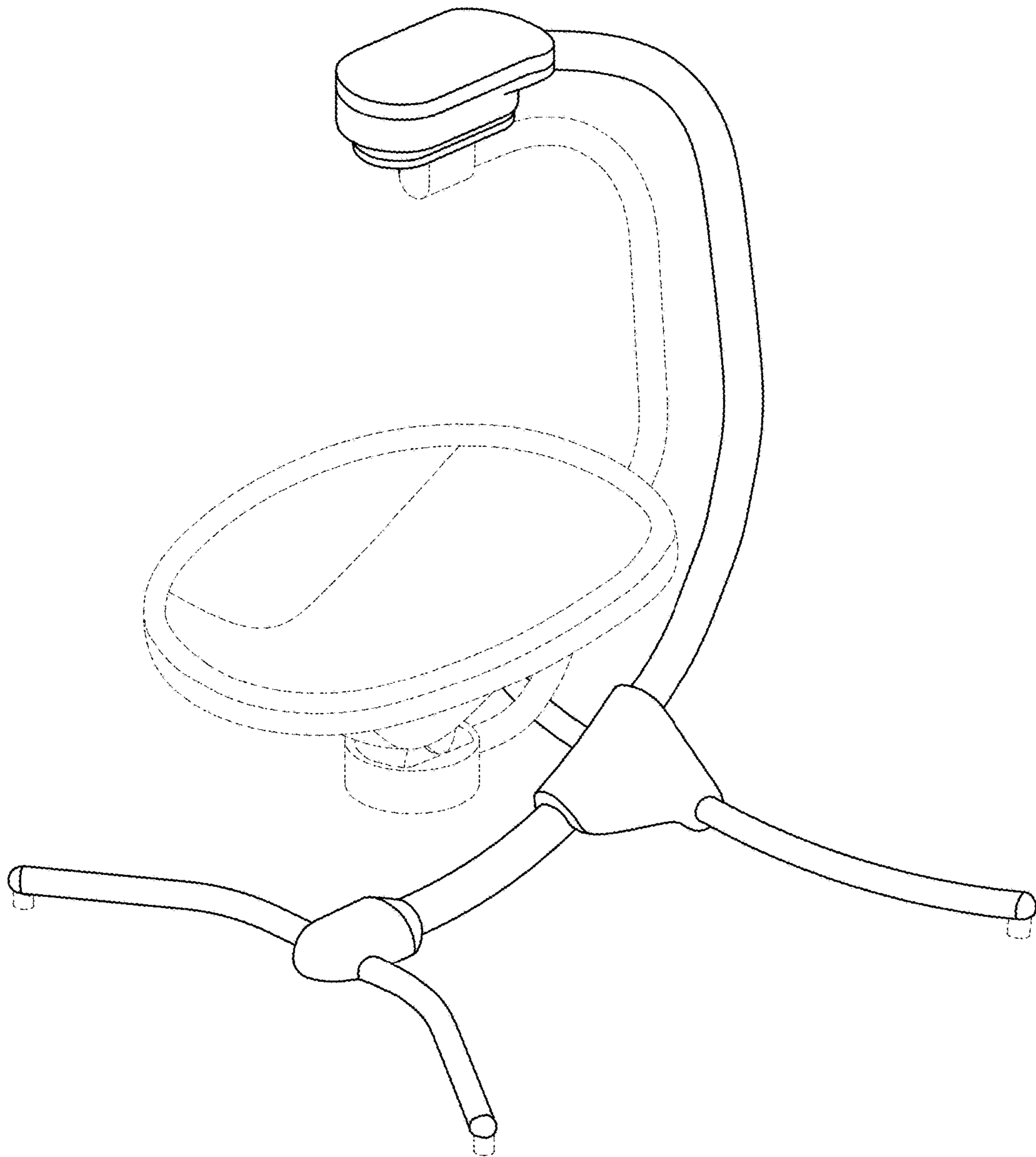


FIG.1

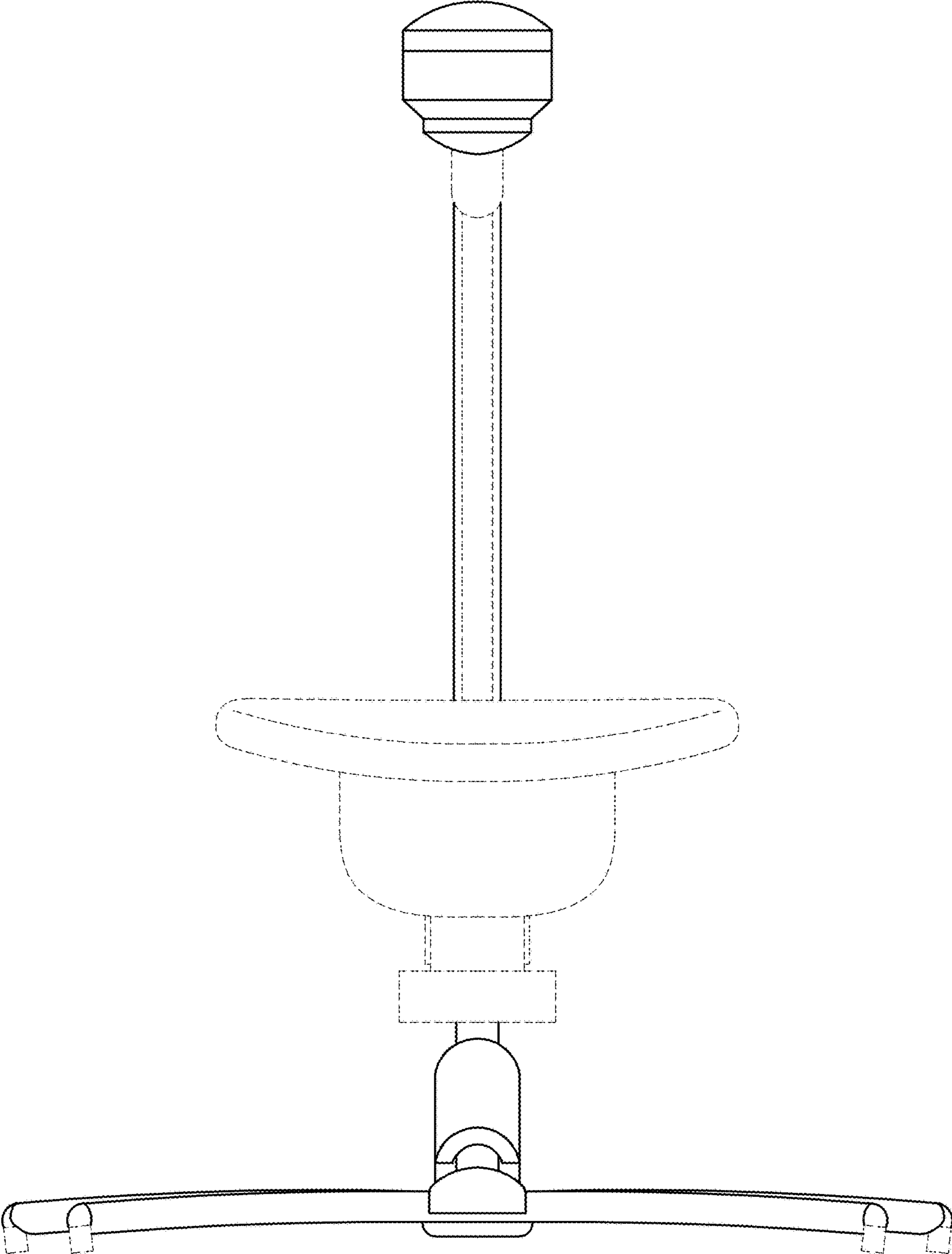


FIG.2

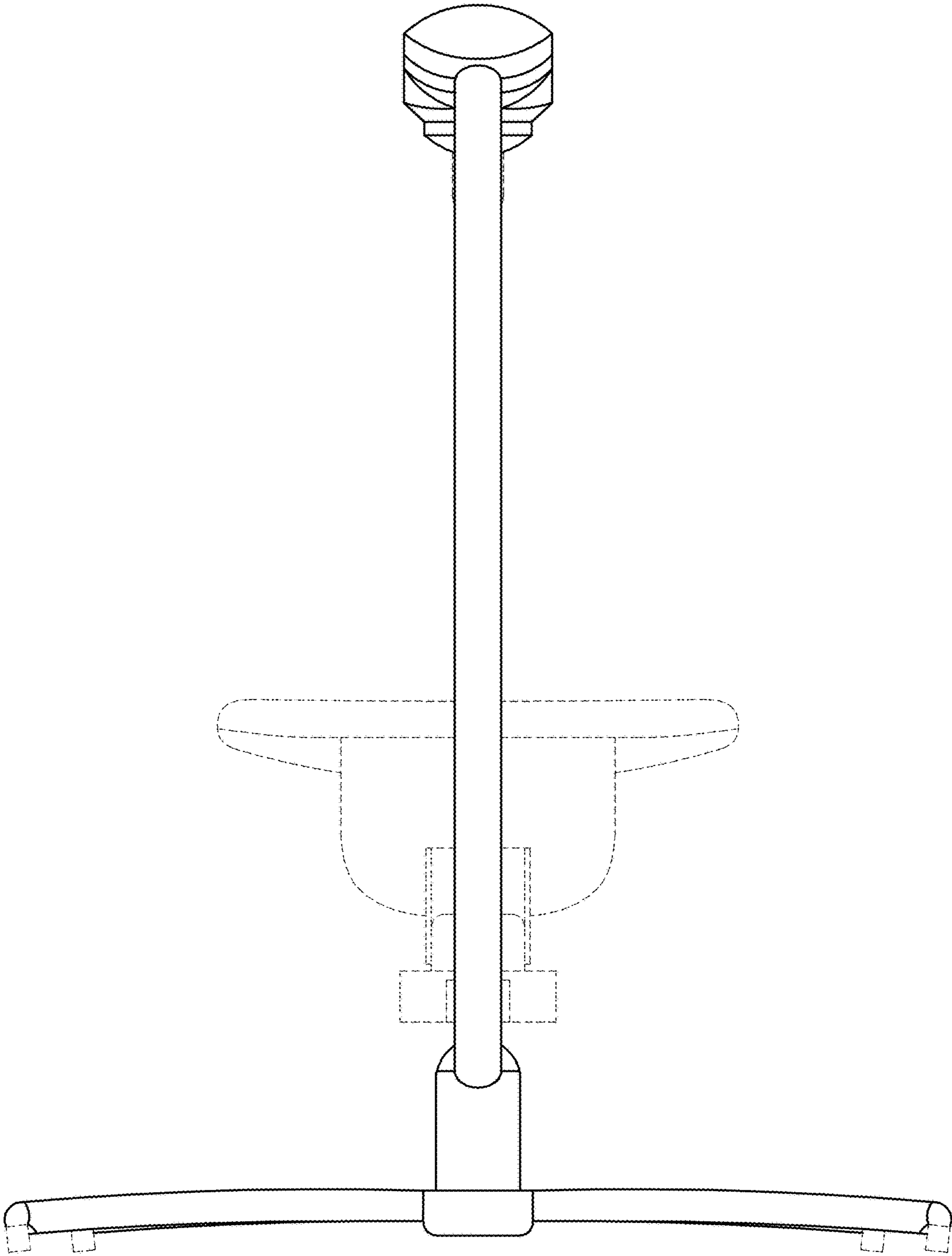


FIG.3

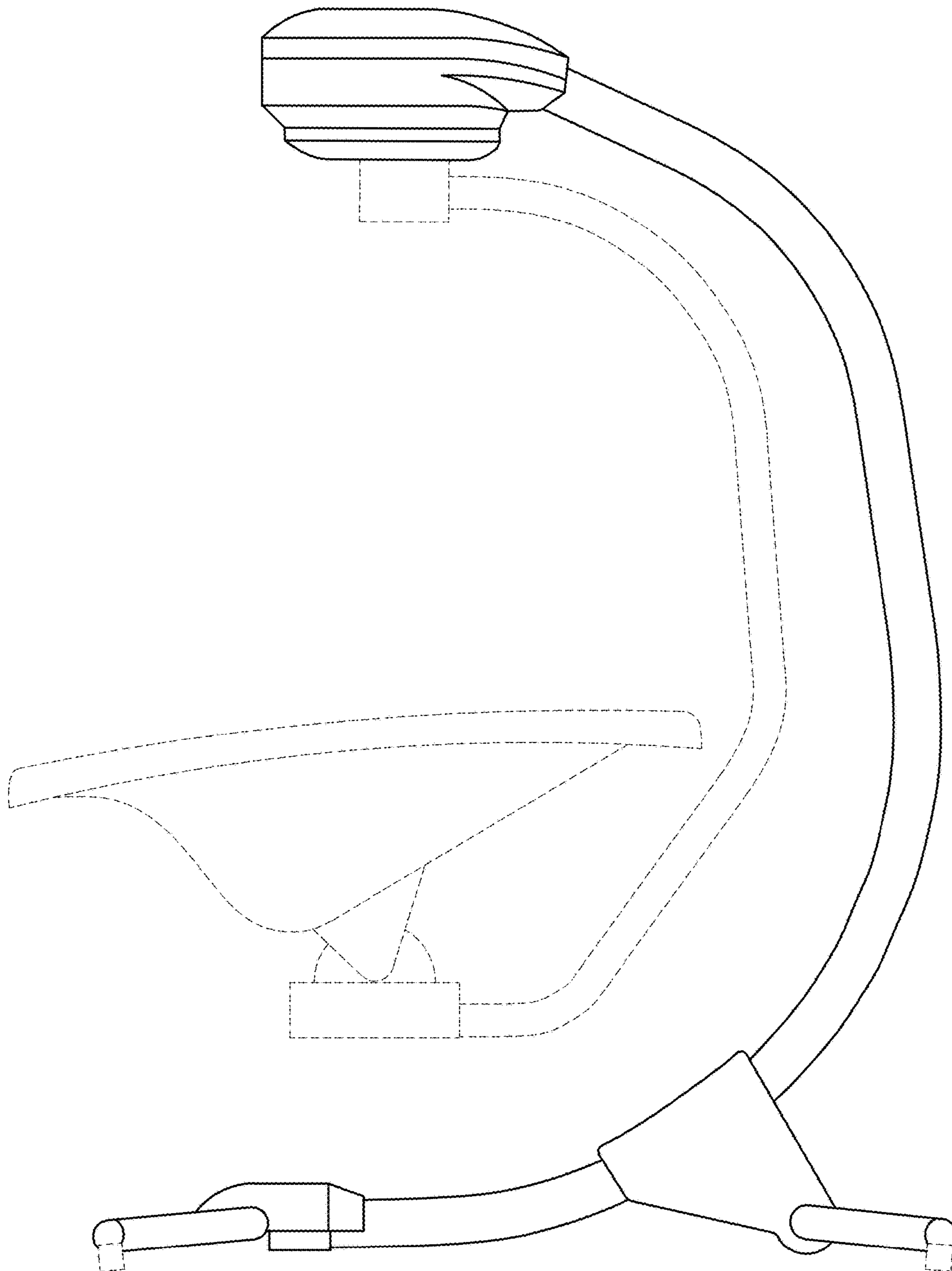


FIG.4

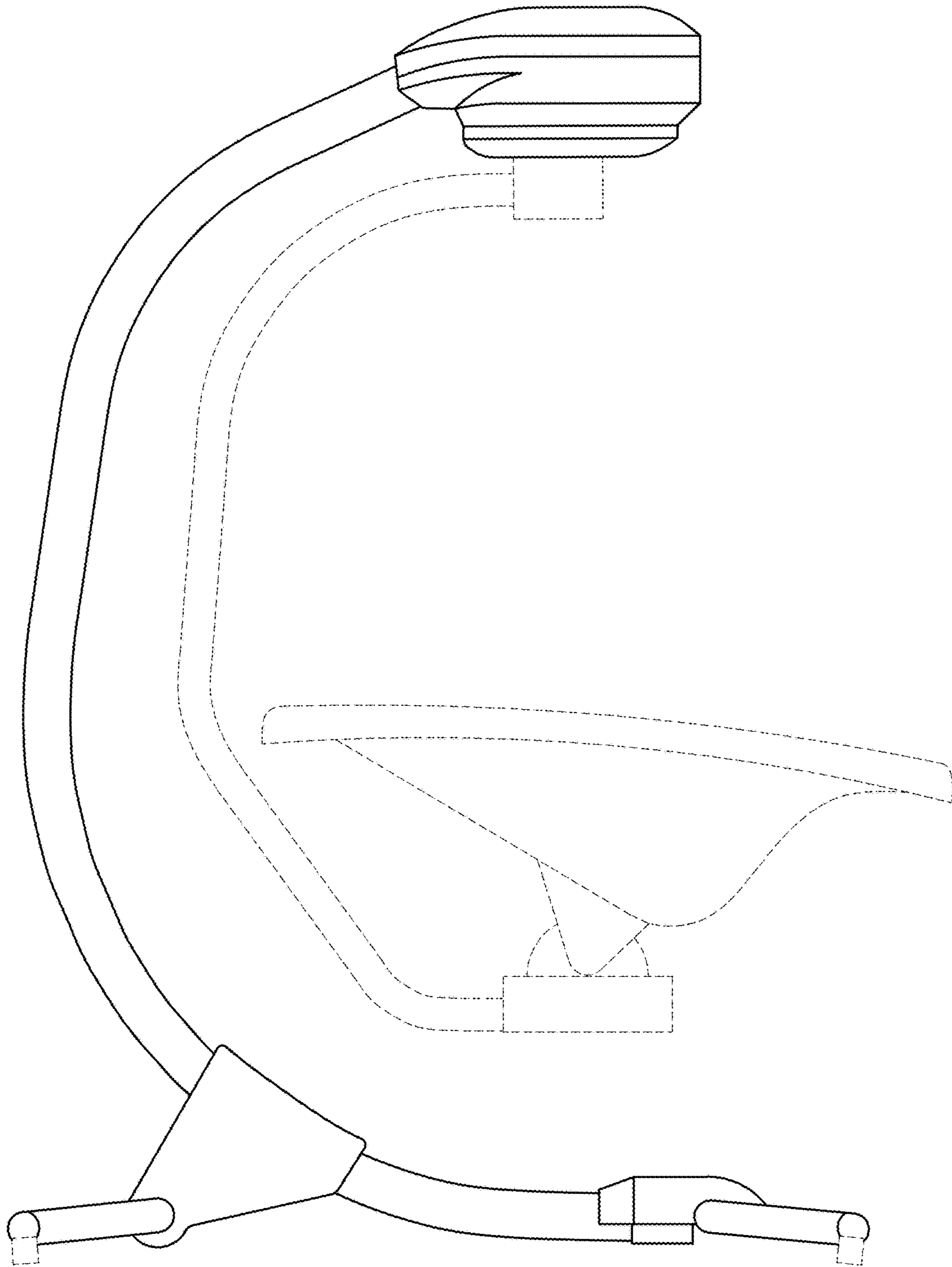


FIG.5

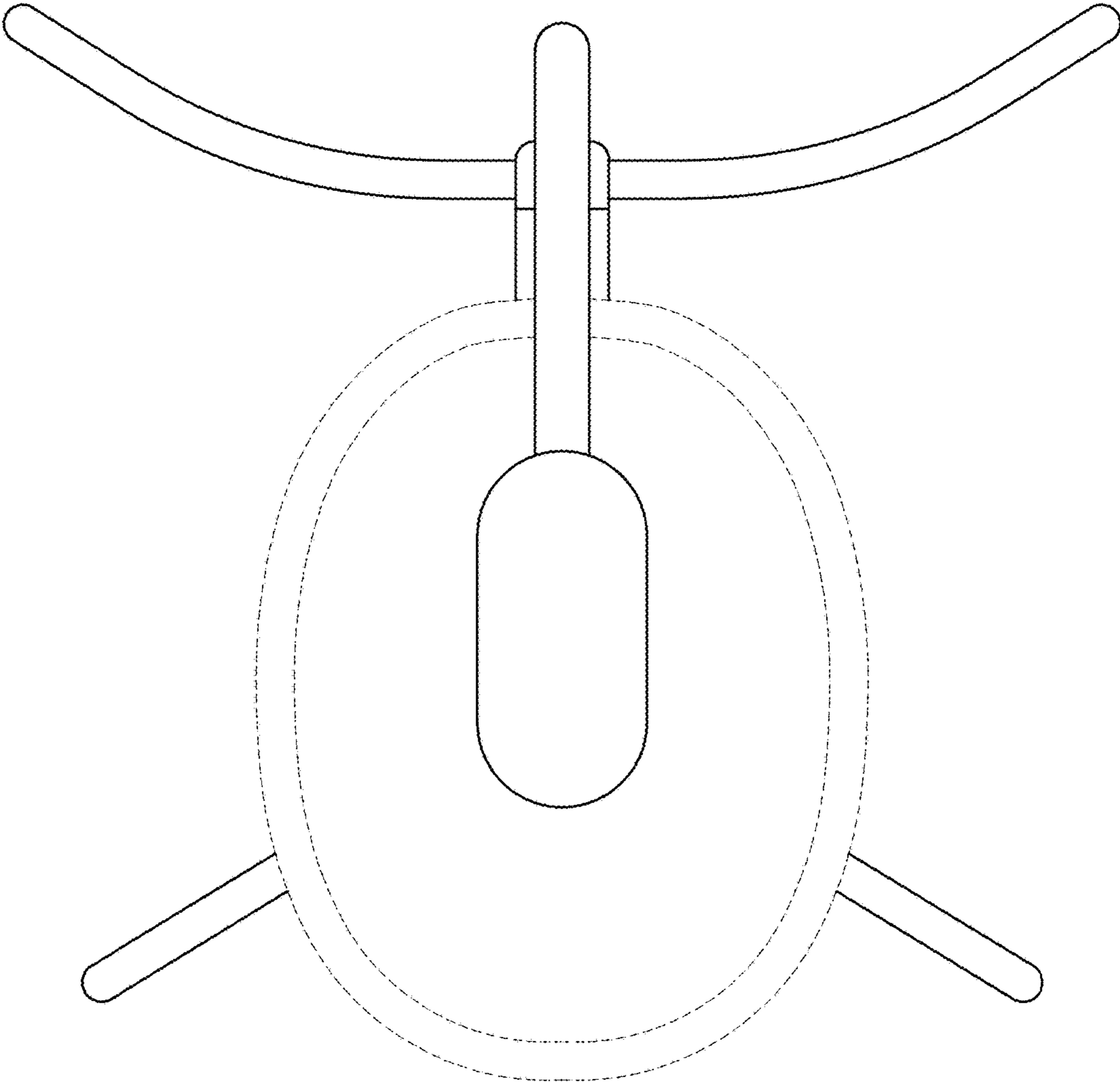


FIG.6

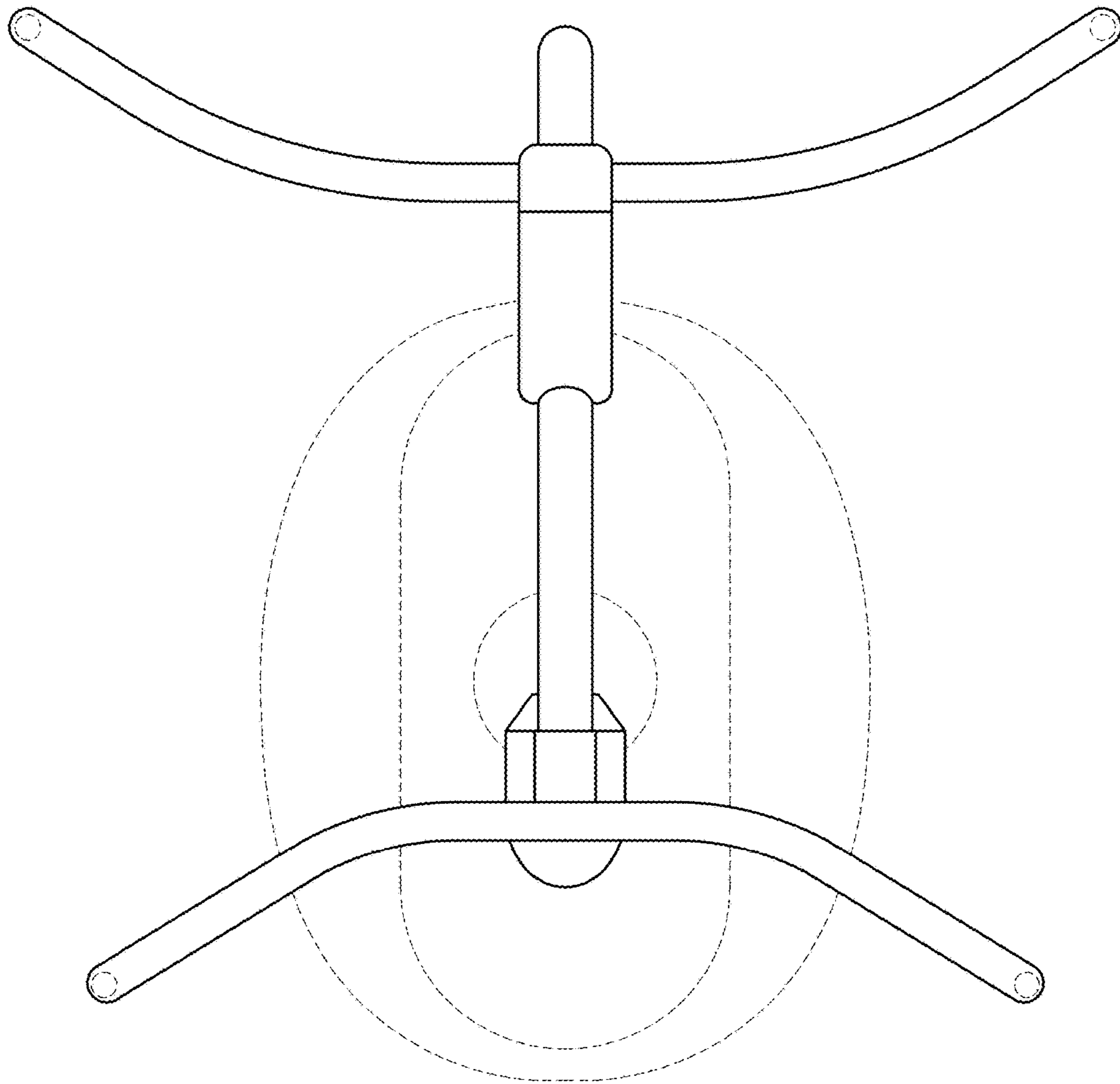


FIG. 7