



US00D814835S

(12) **United States Design Patent**
Bosman et al.

(10) **Patent No.: US D814,835 S**

(45) **Date of Patent: ** Apr. 10, 2018**

(54) **BOOKRACK**

(71) Applicant: **Krueger International, Inc.**, Green Bay, WI (US)

(72) Inventors: **Scott Anthony Bosman**, Green Bay, WI (US); **Xeng Xue Vang**, Green Bay, WI (US); **Timothy Joseph Bouche**, Green Bay, WI (US)

(73) Assignee: **Krueger International, Inc.**, Green Bay, WI (US)

(**) Term: **15 Years**

(21) Appl. No.: **29/582,432**

(22) Filed: **Oct. 27, 2016**

(51) **LOC (11) Cl. 06-06**

(52) **U.S. Cl.**
USPC **D6/705.6; D6/336**

(58) **Field of Classification Search**
USPC D6/334-381, 716, 705.6; D3/306
CPC A47C 7/10; A47B 41/00; A47B 41/06;
A47F 5/01
See application file for complete search history.

(56) **References Cited**

U.S. PATENT DOCUMENTS

2,706,517 A * 4/1955 Dexter A47C 7/62
211/42
D177,296 S * 3/1956 Wright D6/341
D178,125 S * 6/1956 Hendrickson D6/341
2,748,841 A * 6/1956 Rimkus A47B 55/02
108/27
D179,851 S * 3/1957 Hoven et al. D6/341
2,807,315 A * 9/1957 Carlson A47C 7/56
211/106
D189,093 S * 10/1960 Chapman D6/705.6
2,973,807 A * 3/1961 Close A47C 4/02
108/27
D190,181 S * 4/1961 Alverson D6/341

3,160,438 A * 12/1964 Davis A47B 83/00
211/181.1
3,380,778 A * 4/1968 Barecki A47C 3/04
297/160
D211,098 S * 5/1968 Barecki et al. D6/341

(Continued)

Primary Examiner — Deanna L Pratt
(74) *Attorney, Agent, or Firm* — Andrus Intellectual Property Law, LLP

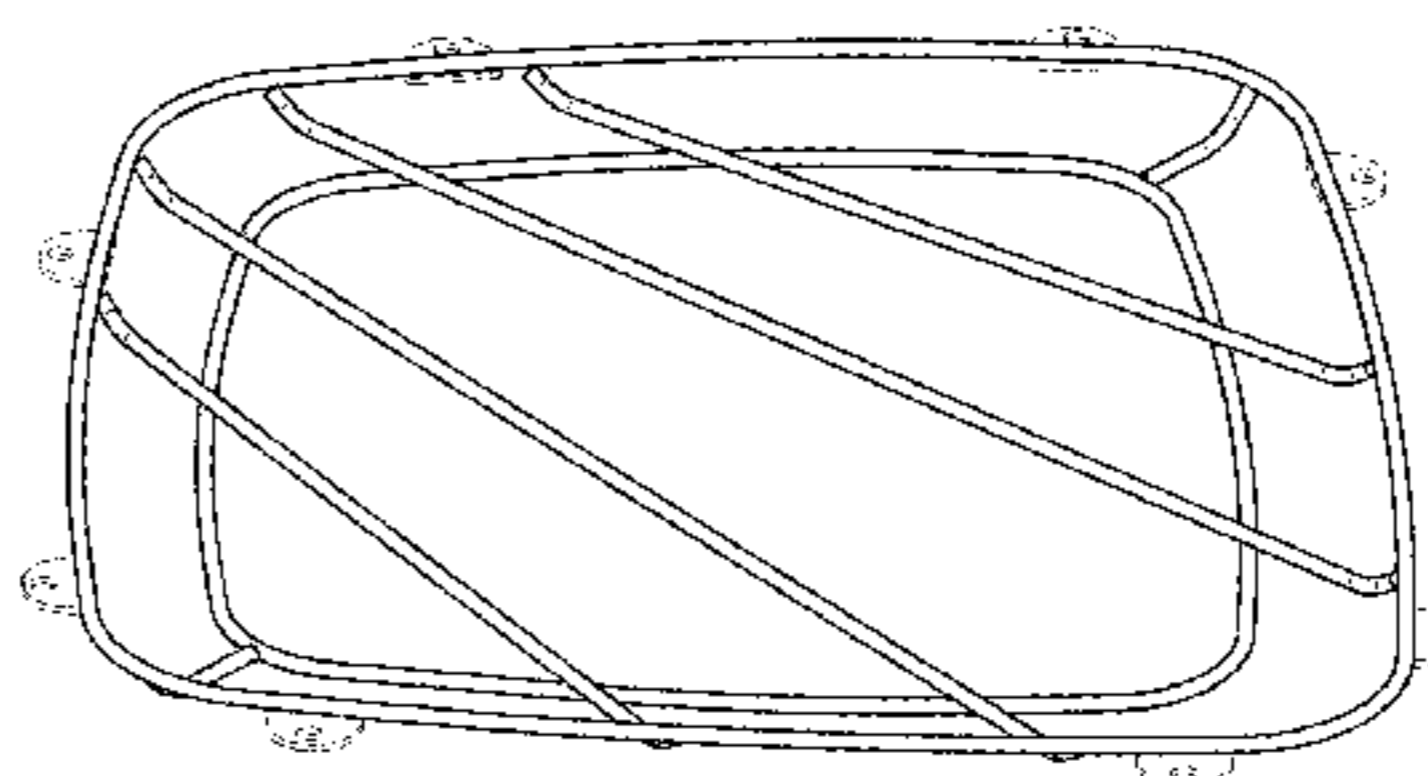
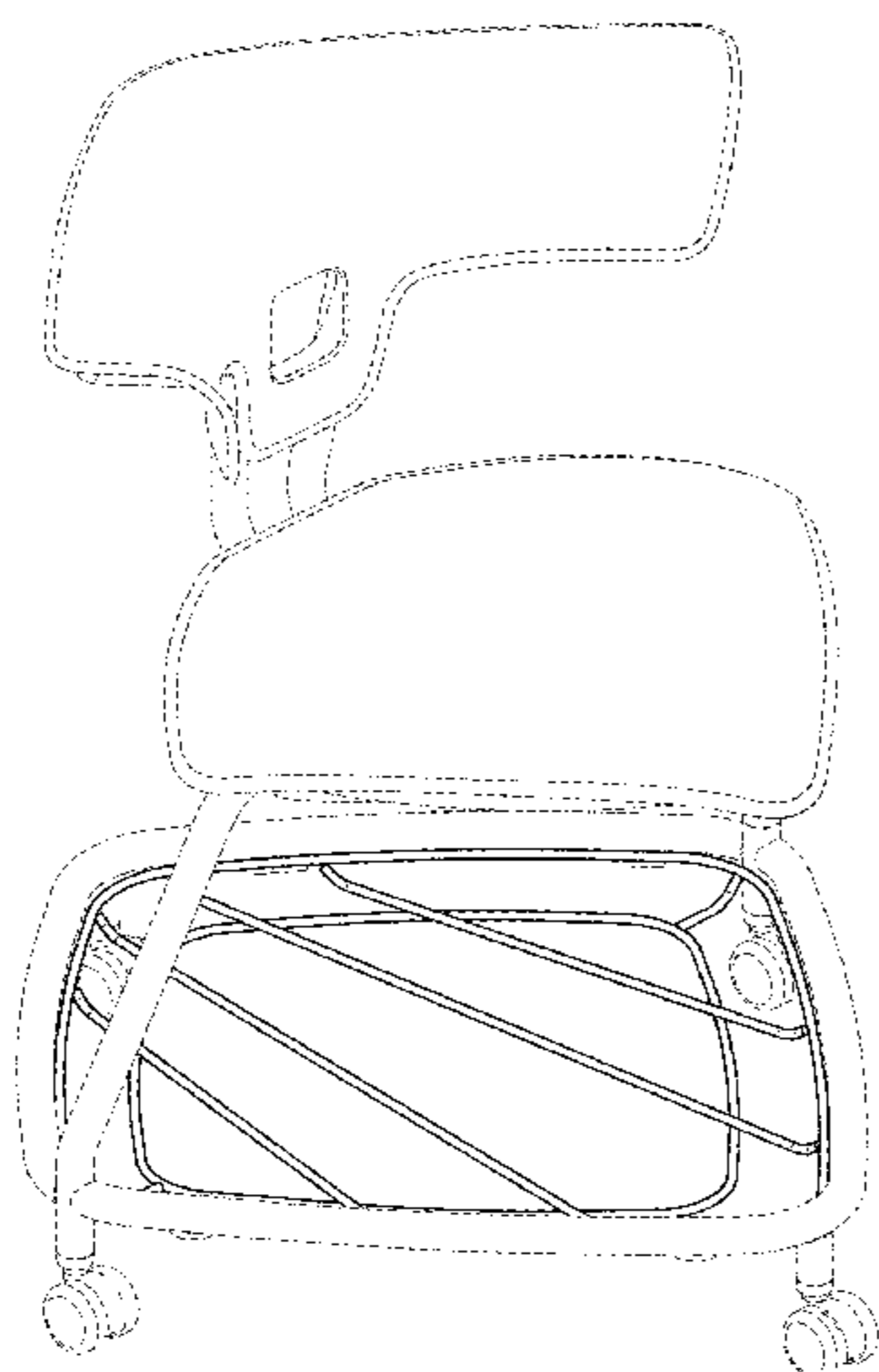
(57) **CLAIM**

The ornamental design for a bookrack, as shown and described.

DESCRIPTION

FIG. 1 is a front isometric view of a first embodiment of a bookrack for use with a classroom chair;
 FIG. 2 is a front perspective view of the bookrack separate from the classroom chair;
 FIG. 3 is a top plan view thereof;
 FIG. 4 is a bottom plan view thereof;
 FIG. 5 is a front elevation view thereof;
 FIG. 6 is a rear elevation view thereof;
 FIG. 7 is a right side elevation view thereof;
 FIG. 8 is a left side elevation view thereof;
 FIG. 9 is a front isometric view of a second embodiment of a bookrack for use with a classroom chair;
 FIG. 10 is a front perspective view of the bookrack separate from the classroom chair;
 FIG. 11 is a top plan view thereof;
 FIG. 12 is a bottom plan view thereof;
 FIG. 13 is a front elevation view thereof;
 FIG. 14 is a rear elevation view thereof;
 FIG. 15 is a right side elevation view thereof; and,
 FIG. 16 is a left side elevation view thereof.
 The broken lines shown in the drawing views are included for purposes of illustrating environment and form no part of the claimed design.

1 Claim, 10 Drawing Sheets



(56)

References Cited

U.S. PATENT DOCUMENTS

3,497,262	A *	2/1970	Piretti	A47C 1/12 297/162
3,584,915	A *	6/1971	Meyers, Jr.	A47B 65/00 297/188.12
D226,066	S *	1/1973	Barecki et al.	D6/338
3,814,474	A *	6/1974	Baker	A47C 7/62 297/160
3,844,609	A *	10/1974	Bomber	A47C 3/04 211/118
D286,117	S *	10/1986	Wellington	D3/306
D343,748	S *	2/1994	Bittner	D3/306
D521,750	S *	5/2006	Glass	D6/336
D531,543	S *	11/2006	Peter	D6/513
D536,873	S *	2/2007	Thorsteinsson	D3/306
7,281,476	B2 *	10/2007	Mills	A47B 41/00 108/101
D657,968	S *	4/2012	Thorfinnson	D6/336
8,528,969	B2 *	9/2013	Huang	A47B 83/02 297/160
D710,124	S *	8/2014	Goodman	D3/306
2011/0062754	A1 *	3/2011	Mills	A47C 3/04 297/188.08

* cited by examiner

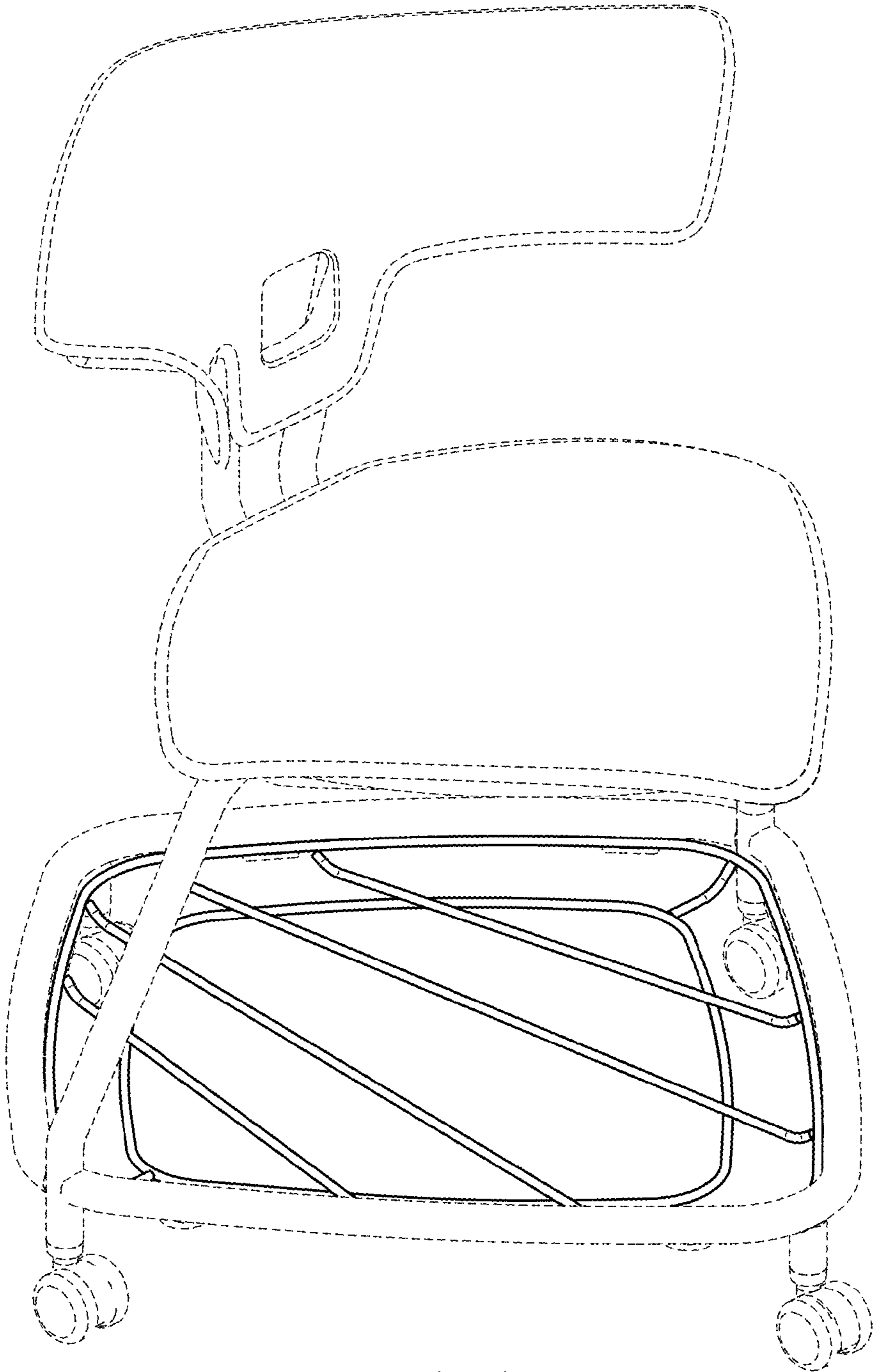


FIG. 1

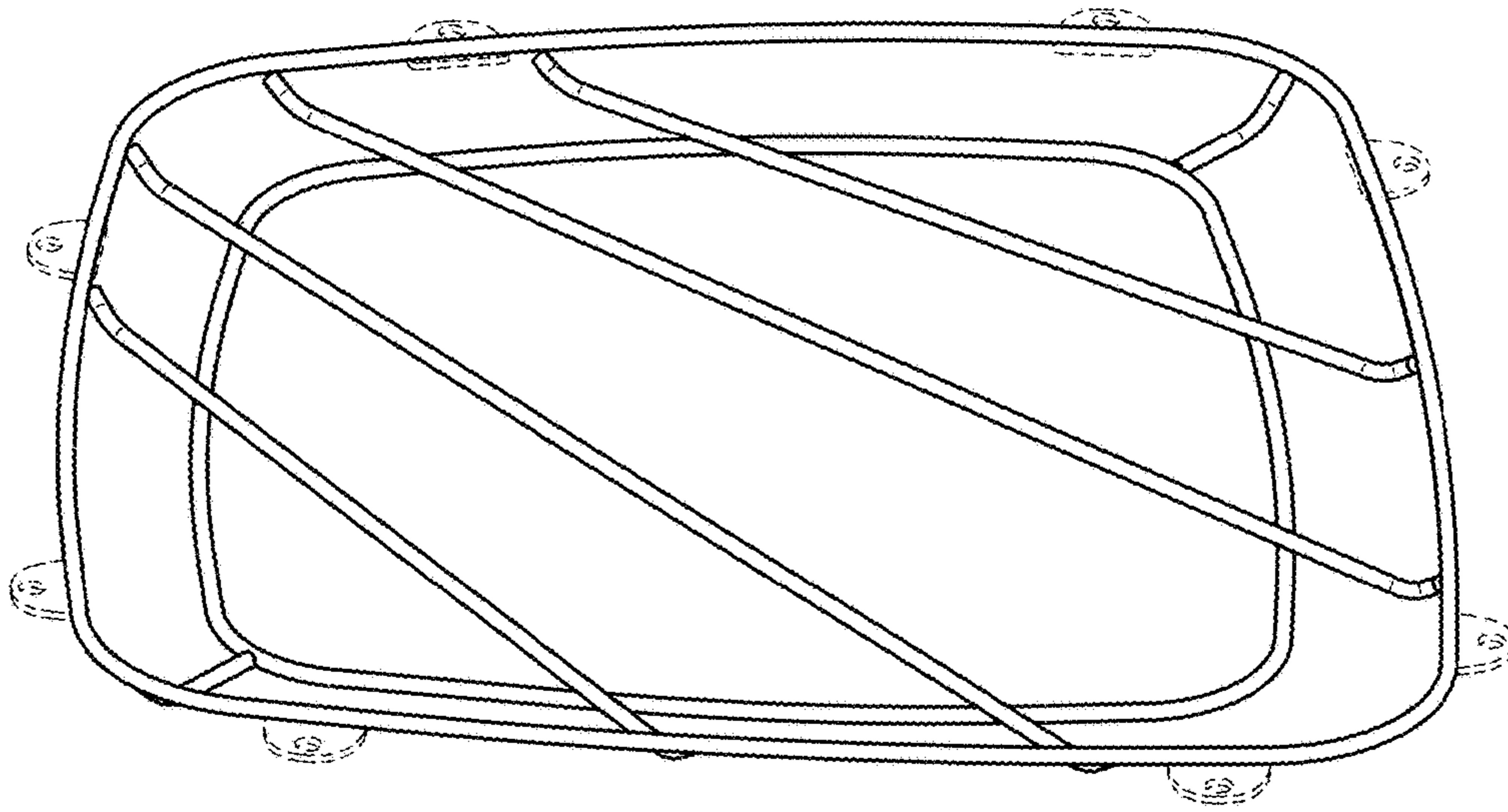


FIG. 2

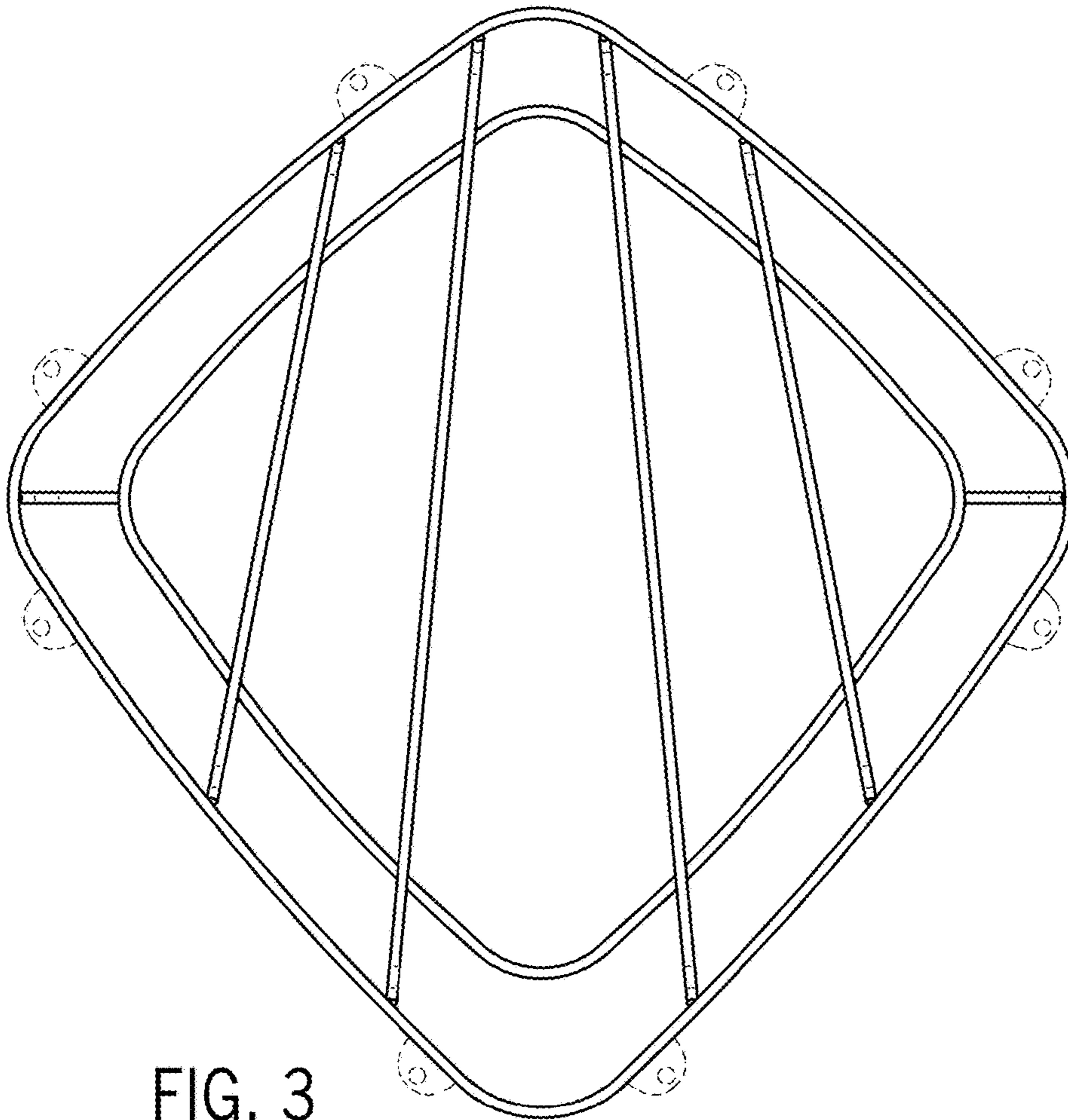


FIG. 3

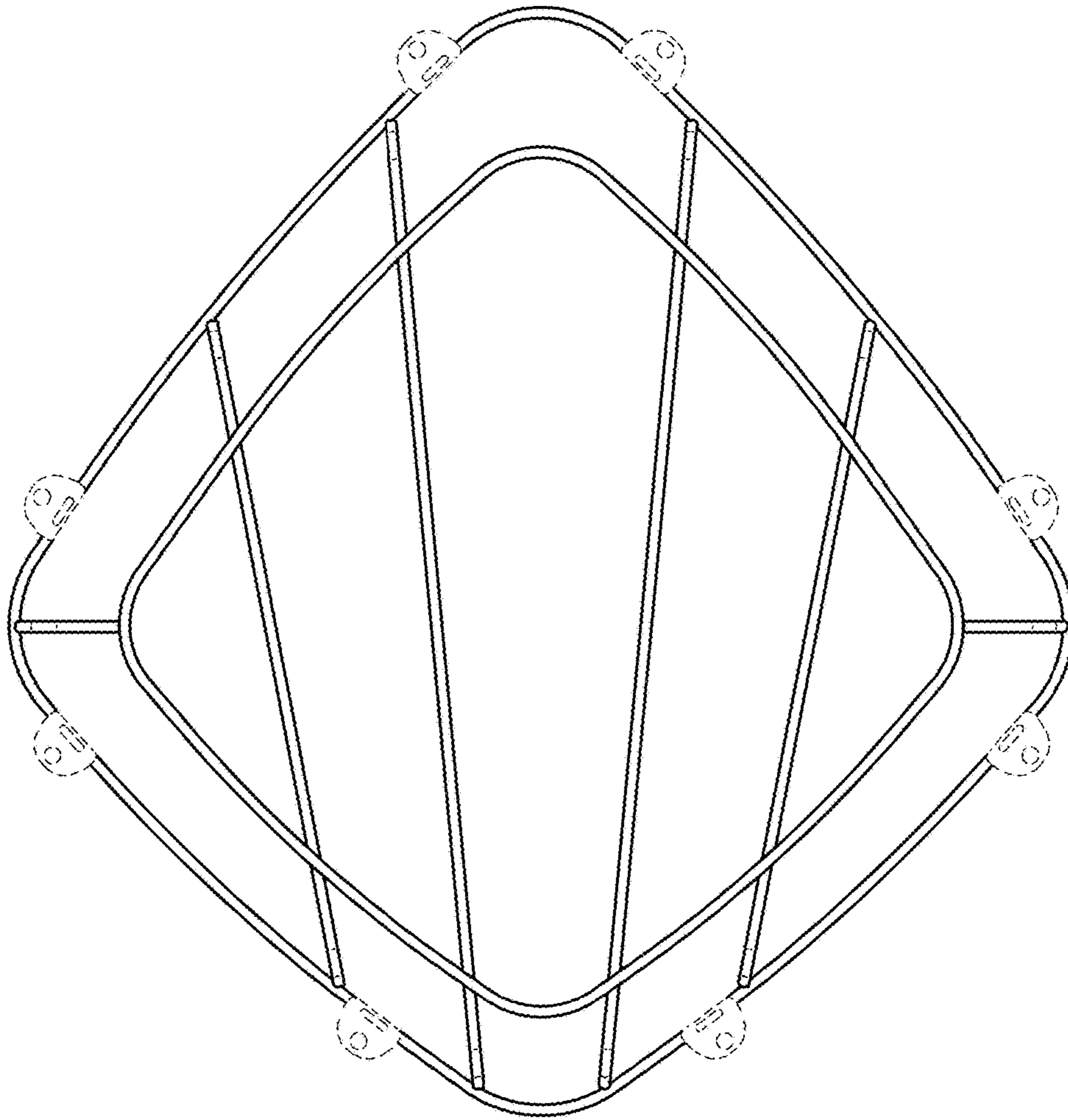


FIG. 4

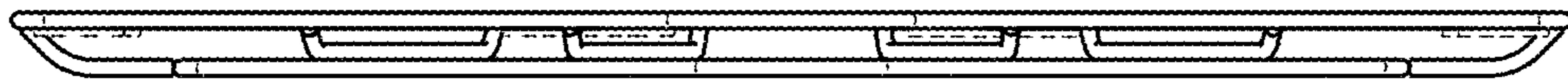


FIG. 5



FIG. 6

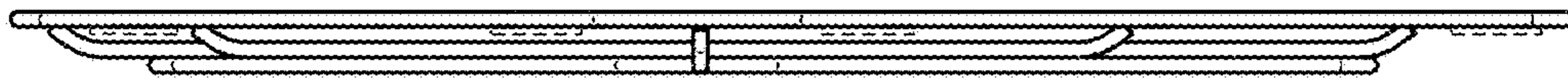


FIG. 7

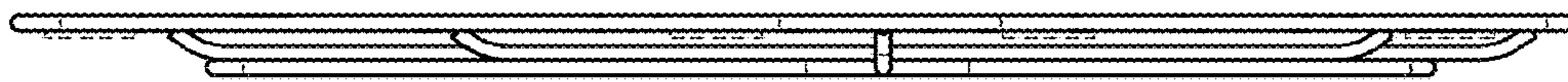


FIG. 8

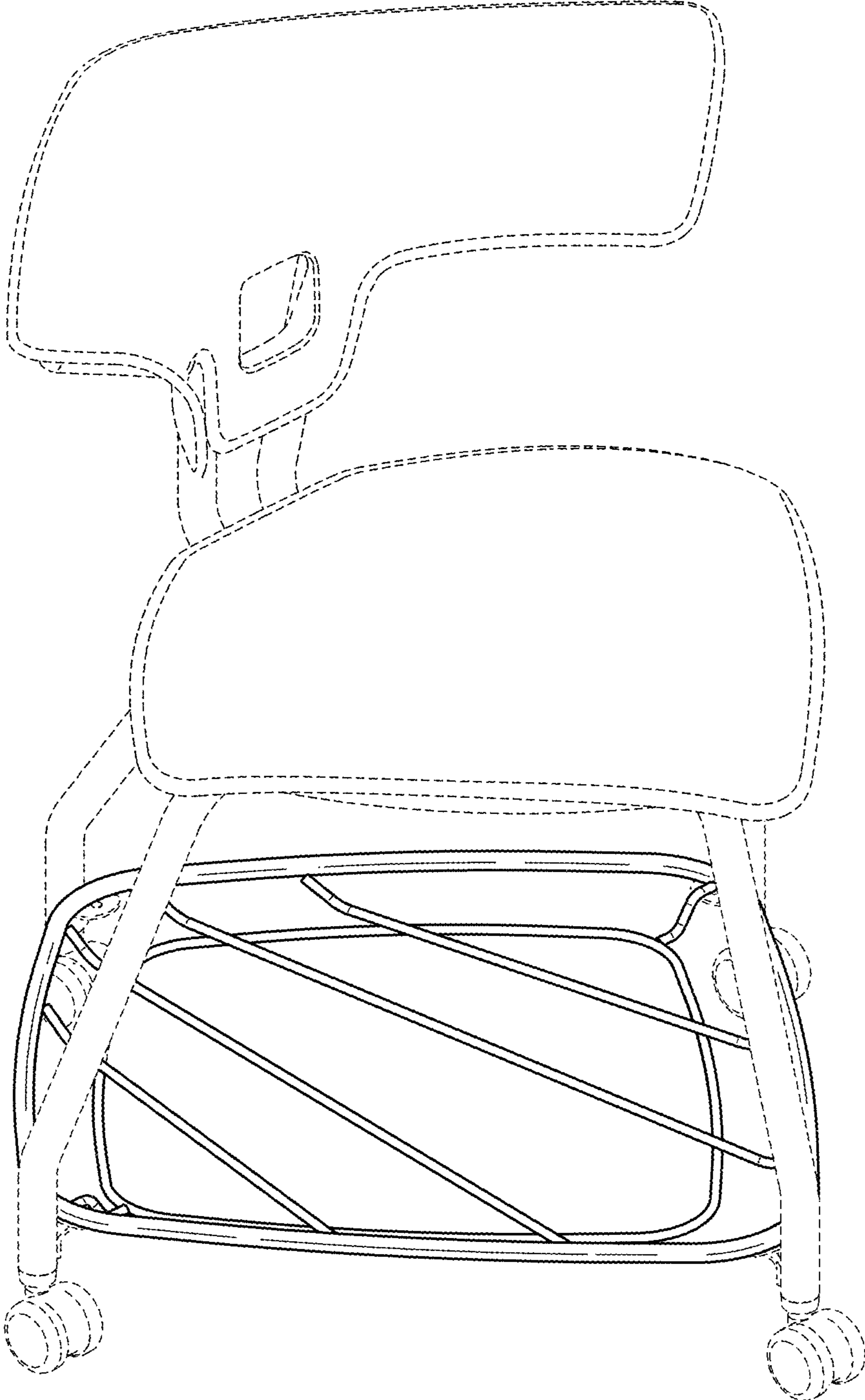


FIG. 9

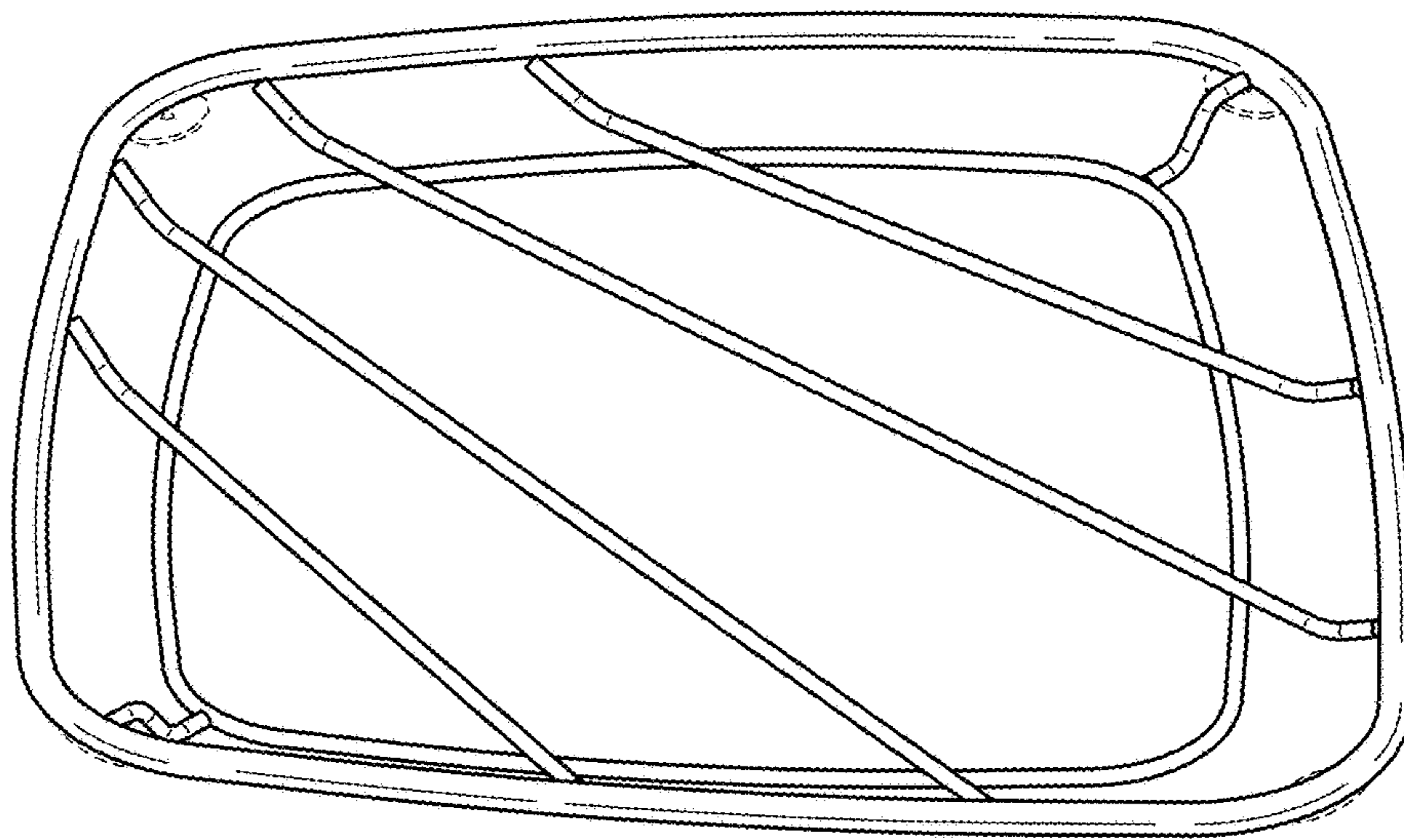


FIG. 10

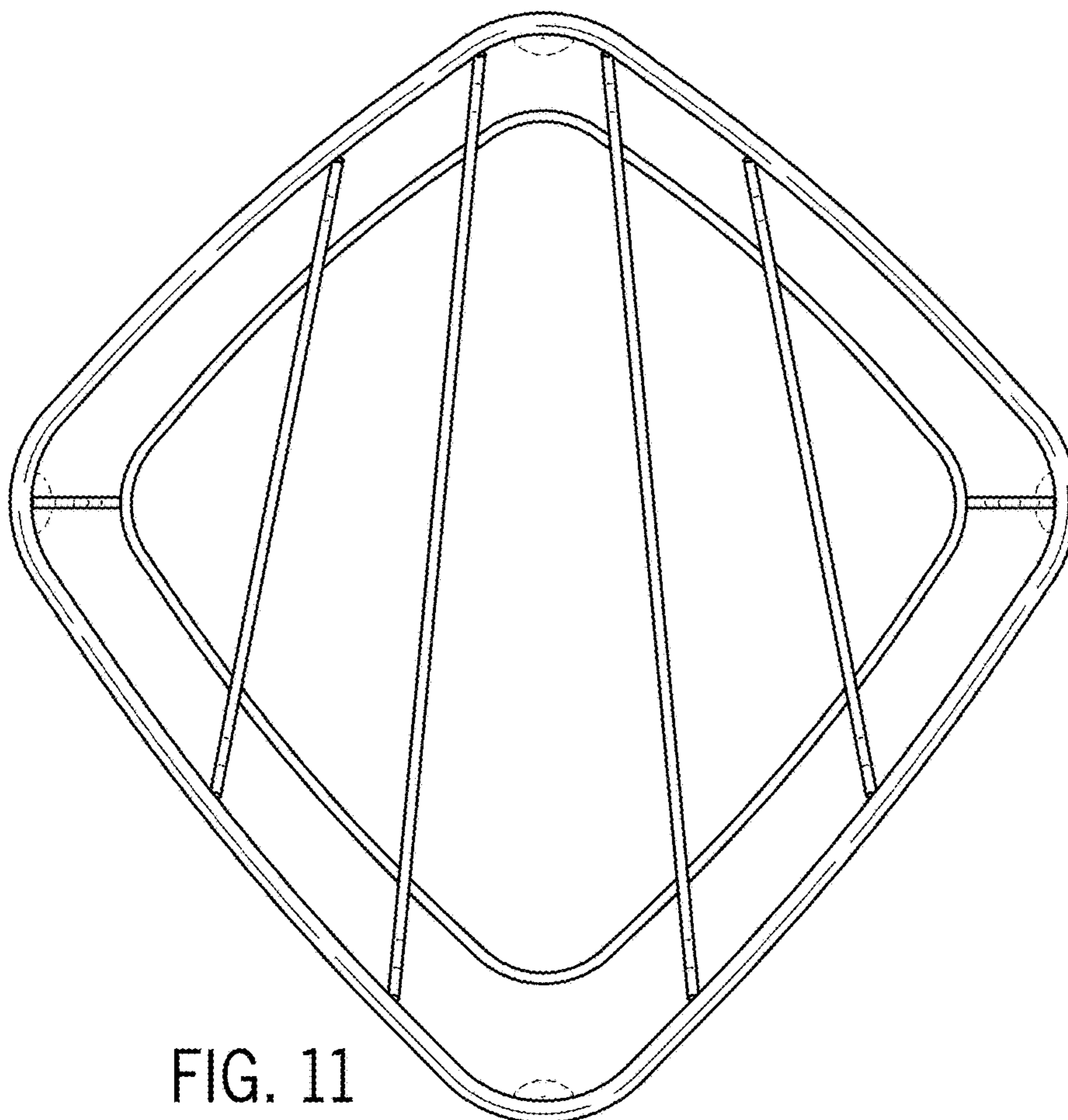


FIG. 11

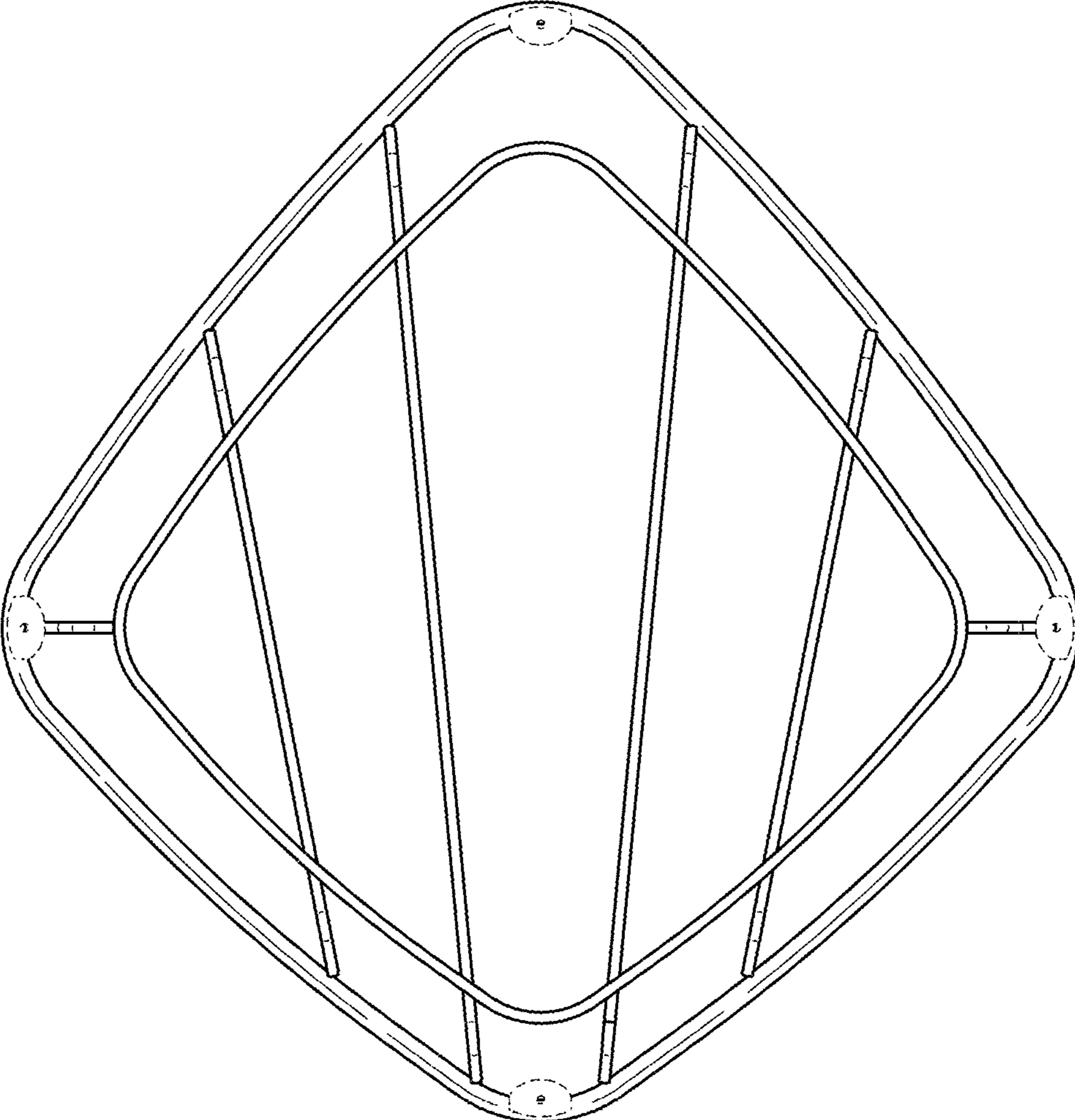


FIG. 12

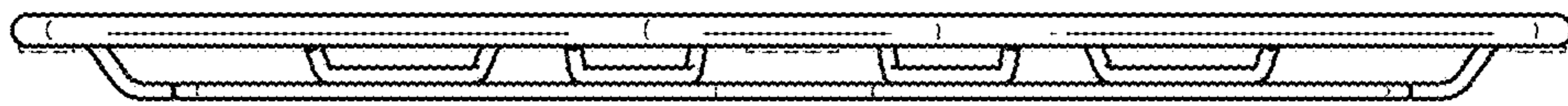


FIG. 13



FIG. 14

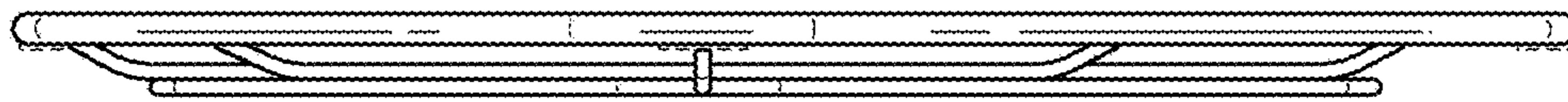


FIG. 15

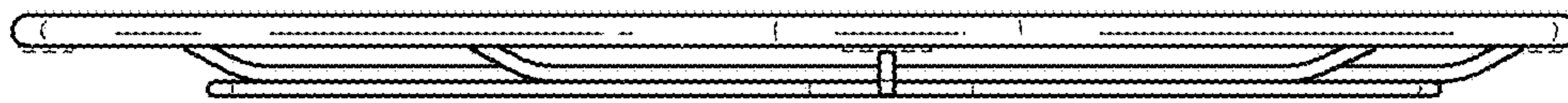


FIG. 16