



US00D814834S

(12) **United States Design Patent**
Price et al.

(10) **Patent No.:** **US D814,834 S**
(45) **Date of Patent:** **** Apr. 10, 2018**

(54) **BEVERAGE CENTER CABINET**

(71) Applicant: **Mortarless Technologies LLC**,
Rochester, MN (US)
(72) Inventors: **Brian A. Price**, Rochester, MN (US);
Drew Wohlfiel, Mantorville, MN (US)
(73) Assignee: **Mortarless Technologies LLC**,
Rochester, MN (US)

(**) Term: **15 Years**

(21) Appl. No.: **29/552,773**

(22) Filed: **Jan. 26, 2016**

(51) **LOC (11) Cl.** **06-03**

(52) **U.S. Cl.**
USPC **D6/699.2; D7/403**

(58) **Field of Classification Search**
USPC D6/349-350, 364-368, 369, 374, 375,
D6/403, 405, 406.6, 654-654.1, 657, 671,
D6/678-678.2, 682.1-682.6, 683-683.1,
D6/684-686, 690, 691, 691.8-691.9, 695,
D6/698, 699, 699.1-699.5, 705, 705.5,
D6/707.19, 708, 708.21; 297/284.4,
297/452.18, 452.24, 452.26, 452.28,
297/452.32-452.33, 452.37; D7/333,
D7/403; D15/145; D30/101, 118;
126/25 AA; D23/345, 286
CPC A47C 7/02; A47C 7/44; A47C 7/46; A47C
7/48; A47C 7/54; A47C 7/386; A47C
7/462; A47C 1/10; A47C 1/031; B60N
(Continued)

(56) **References Cited**

U.S. PATENT DOCUMENTS

D93,849 S * 11/1934 Rodstein D6/699
D103,719 S * 3/1937 Flanagan D6/683.1
(Continued)

OTHER PUBLICATIONS

U.S. Appl. No. 29/552,756, filed Jan. 26, 2016, Price et al.

(Continued)

Primary Examiner — Ian Simmons

Assistant Examiner — Keith Wilson

(74) *Attorney, Agent, or Firm* — Fish & Richardson P.C.

(57) **CLAIM**

The ornamental design for a beverage center cabinet, as shown and described.

DESCRIPTION

FIG. 1 is a perspective view of a beverage center cabinet according to a first embodiment.

FIG. 2 is a front view of the beverage center cabinet of FIG. 1.

FIG. 3 is a back view of the beverage center cabinet of FIG. 1.

FIG. 4 is a left side view of the beverage center cabinet of FIG. 1.

FIG. 5 is a right side view of the beverage center cabinet of FIG. 1.

FIG. 6 is a top view of the beverage center cabinet of FIG. 1.

FIG. 7 is a bottom view of the beverage center cabinet of FIG. 1.

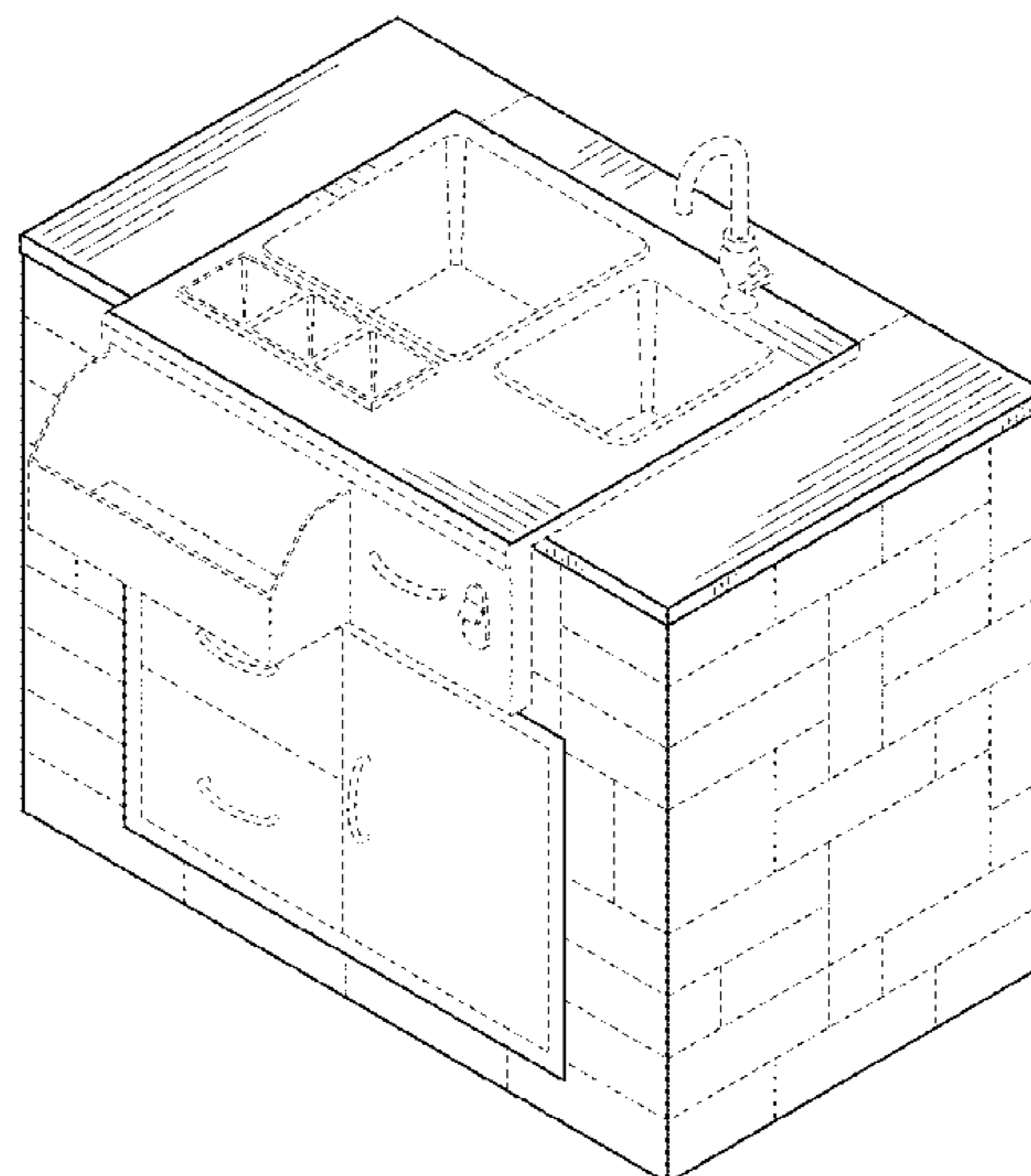
FIG. 8 is a back view of the beverage center cabinet having an opening in a back side according to a second embodiment, the front, left, right, top and bottom views identical to the first embodiment.

FIG. 9 is a perspective view of the beverage center cabinet of FIG. 8.

FIG. 10 is an illustration of the beverage center cabinet of FIG. 1 as part of an exemplary outdoor kitchen; and, FIG. 11 is an illustration of the beverage center cabinet of FIG. 1 as part of an exemplary outdoor kitchen.

The broken lines depict environment and form no part of the claimed design. Shade lines are not an indication of surface texture or gloss.

1 Claim, 8 Drawing Sheets



- (58) **Field of Classification Search**
 CPC ... 2/02; B60N 2/22; B60N 2/44; A47F 7/145;
 A47F 7/0035; A47F 7/283; A47F 9/00
 See application file for complete search history.

(56) **References Cited**

U.S. PATENT DOCUMENTS

D219,443	S	*	12/1970	Hubel	D6/335
D220,997	S	*	6/1971	Svezla	D6/335
D236,935	S	*	9/1975	Frazelle	D6/683
D256,644	S	*	9/1980	Marks	D6/683.1
D297,083	S	*	8/1988	Olovsson	D6/683
D362,125	S	*	9/1995	Crust	D6/349
D365,932	S	*	1/1996	Reynolds	D30/101
D368,604	S	*	4/1996	Gotham	D6/657
D377,721	S	*	2/1997	Pohlman	D6/657
D478,435	S	*	8/2003	Brownfield	D6/675
D496,805	S	*	10/2004	Anderson	D6/671
D549,035	S	*	8/2007	Chung	D7/333
D588,825	S	*	3/2009	van Ierssel	D6/369
D626,981	S	*	11/2010	Okamoto	D15/145
D627,994	S	*	11/2010	Wahl	D6/708
D647,332	S	*	10/2011	Pederson	D6/699
D648,155	S	*	11/2011	Ernst	D6/699
D653,878	S	*	2/2012	Ernst	D6/699
D661,118	S	*	6/2012	Massaud	D6/374
D679,516	S	*	4/2013	Zannella	D6/375
D696,758	S	*	12/2013	Ernst	D23/345
8,607,776	B2	*	12/2013	Jansson	A47J 37/0704 126/25 AA
D703,466	S	*	4/2014	Franck	D6/675
D704,906	S	*	5/2014	Diskin	D30/118
D706,066	S	*	6/2014	Ernst	D6/699
D718,502	S	*	11/2014	Paculdo	D30/118
D727,072	S	*	4/2015	Sorel	D6/683
D741,096	S	*	10/2015	Leduc	D6/705
D743,190	S	*	11/2015	Franck	D6/675
D781,089	S	*	3/2017	Hakemann	D6/699.1

OTHER PUBLICATIONS

- U.S. Appl. No. 29/552,752, filed Jan. 26, 2016, Price et al.
 U.S. Appl. No. 29/552,769, filed Jan. 26, 2016, Price et al.
 U.S. Appl. No. 29/552,760, filed Jan. 26, 2016, Price et al.
 U.S. Appl. No. 29/552,784, filed Jan. 26, 2016, Price et al.
 U.S. Appl. No. 29/552,763, filed Jan. 26, 2016, Price et al.
 U.S. Appl. No. 29/552,766, filed Jan. 26, 2016, Price et al.
 U.S. Appl. No. 29/552,778, filed Jan. 26, 2016, Price et al.
 U.S. Appl. No. 29/552,786, filed Jan. 26, 2016, Price et al.
 U.S. Appl. No. 29/552,776, filed Jan. 26, 2016, Price et al.
 U.S. Appl. No. 29/552,782, filed Jan. 26, 2016, Price et al.
 U.S. Appl. No. 29/552,780, filed Jan. 26, 2016, Price et al.
 U.S. Appl. No. 29/552,789, filed Jan. 26, 2016, Price et al.
 U.S. Appl. No. 29/552,794, filed Jan. 26, 2016, Price et al.
 U.S. Appl. No. 29/552,795, filed Jan. 26, 2016, Price et al.

- U.S. Appl. No. 29/552,805, filed Jan. 26, 2016, Price et al.
 U.S. Appl. No. 29/552,809, filed Jan. 26, 2016, Price et al.
 U.S. Appl. No. 29/552,802, filed Jan. 26, 2016, Price et al.
 U.S. Appl. No. 29/552,817, filed Jan. 26, 2016, Price et al.
 U.S. Appl. No. 29/552,806, filed Jan. 26, 2016, Price et al.
 U.S. Appl. No. 29/552,813, filed Jan. 26, 2016, Price et al.
 U.S. Appl. No. 29/552,845, filed Jan. 26, 2016, Price et al.
 U.S. Appl. No. 29/552,853, filed Jan. 26, 2016, Price et al.
 U.S. Appl. No. 29/552,846, filed Jan. 26, 2016, Price et al.
 U.S. Appl. No. 29/552,858, filed Jan. 26, 2016, Price et al.
 U.S. Appl. No. 29/552,849, filed Jan. 26, 2016, Price et al.
 AB Courtyard Collection, "Build a Free-Standing Bar," How-to sheet #330, copyright 2007, 2 pages.
 AB Courtyard Collection, "Build an Outdoor Kitchen," How-to sheet #340, copyright 2008, 2 pages.
 AB Courtyard Collection, "Building a BBQ Grilling Station," How-to sheet #290, copyright 2003-2005, 2 pages.
 AB Courtyard Collection, "Building an Outdoor Kitchen," How-to-sheet #341, copyright 2009, 5 pages.
 Allan Block, Top 12 Outdoor Weekend Project Ideas, retrieved from the Internet: <URL: <http://www.allanblock.com/projects/weekend-projects.aspx>>, 2 pages, archived on Dec. 11, 2013.
 Anchor Block Products, "Outdoor Living Kits," retrieved from the Internet <URL: <http://anchorblock.com/products/Fire-pits-and-fire-places/default.aspx>>, 15 pages, archived Oct. 16, 2015.
 Anchor, "2015 Landscape Collection," copyright 2015, 60 pages.
 Anchor, "Do-It-Yourself Landscape Ideas," Jan. 2014, 20 pages.
 Anchor, "Easy Weekend Project Ideas," 2015, 24 pages.
 Keystone Hardscapes, Country Manor 2-pc Grill Station Kit, 2013, 14 pages.
 Keystone Hardscapes, Country Manor 2-pc Kitchen Linear Kit, 2015, 18 pages.
 Keystone Hardscapes, Country Manor 3-pc Grill Station1 Kit, 2015, 18 pages.
 Keystone Hardscapes, Country Manor 3-pc Grill Station2 Kit, 2012, 6 pages.
 Keystone Hardscapes, Country Manor 3-pc Kitchen Linear Kit, 2015, 18 pages.
 Keystone Hardscapes, Country Manor 3-pc Kitchen L-shape Kit, 2015, 16 pages.
 Versa-Lok, Residential Idea Book, retrieved from the Internet: <URL: <http://www.versa-lok.com/idea-book/residential>>, 14 pages, archived Oct. 12, 2015.
 Willow Creek Landscape Kits for Outdoor Living, retrieved from the Internet: <URL: <http://www.willowcreekpavingstones.com/willow-creek-outdoor-kits>>, 5 pages, archived Feb. 22, 2015.
 WillowCreek, "Ledgestone Bar and Grill Kit," retrieved from the Internet: <URL: <http://www.willowcreekpavingstones.com/sites/default/files/docs/pdf/BarGrill2013Print.pdf>>, 2013, 1 page.
 WillowCreek, "Ledgestone Grill Kit," retrieved from the Internet: <<https://www.patiotown.com/sites/default/files/files/Grill%20Kits%202013.pdf>>, 2013, 1 page.
 WillowCreek, "Outdoor Fireplace Kit," 2012, 1 page.

* cited by examiner

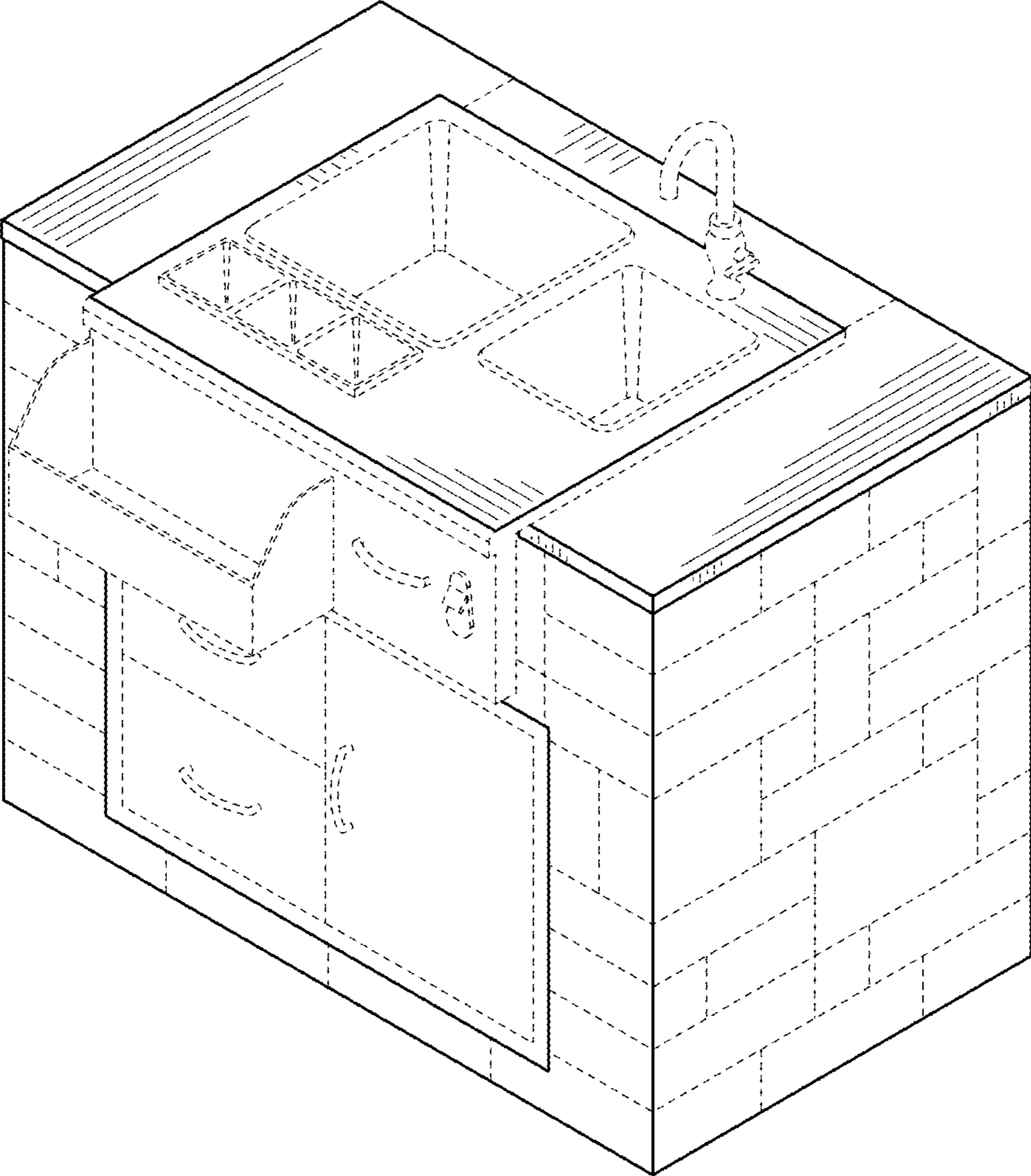


FIG. 1

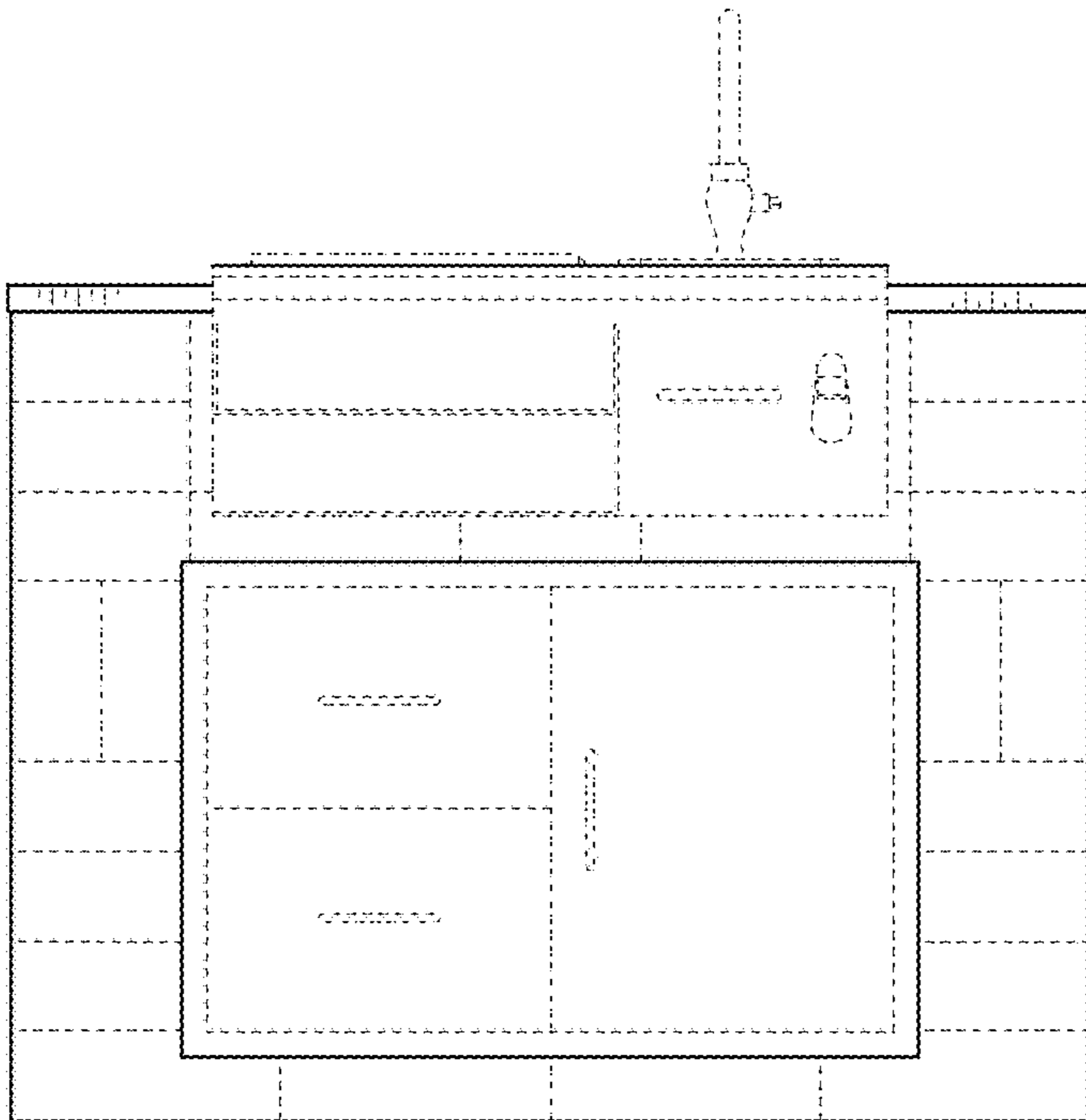


FIG. 2

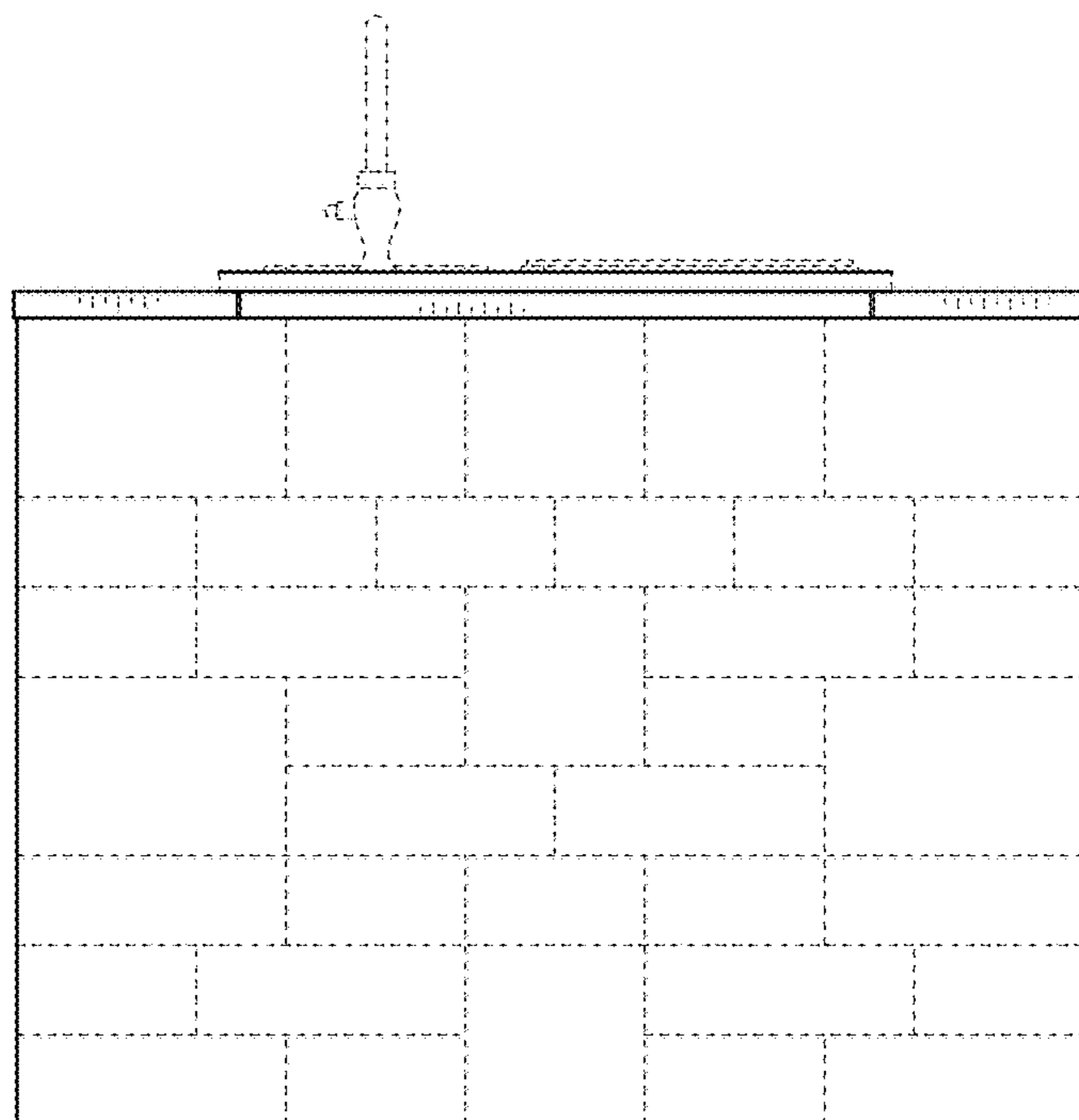


FIG. 3

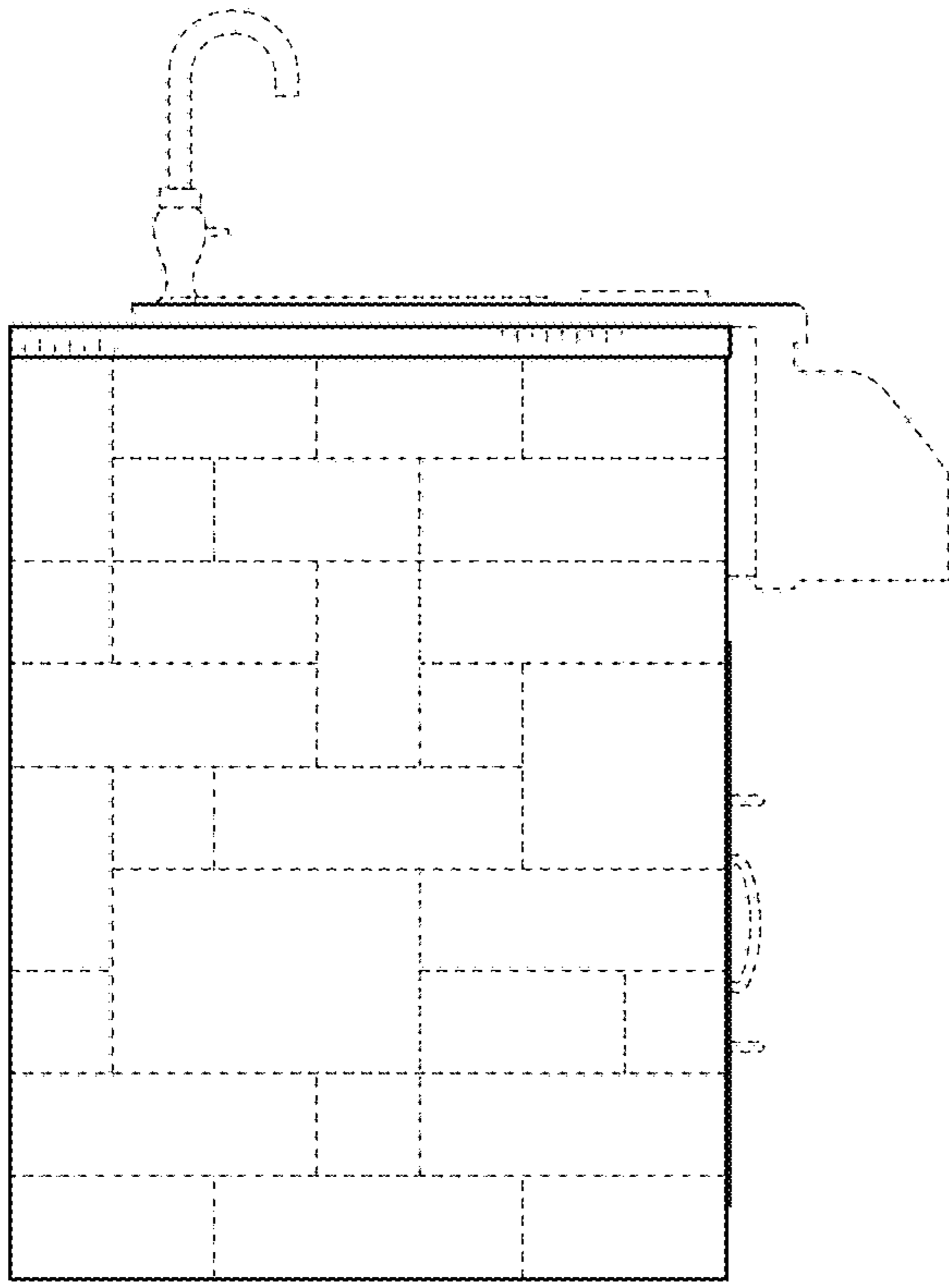


FIG. 4

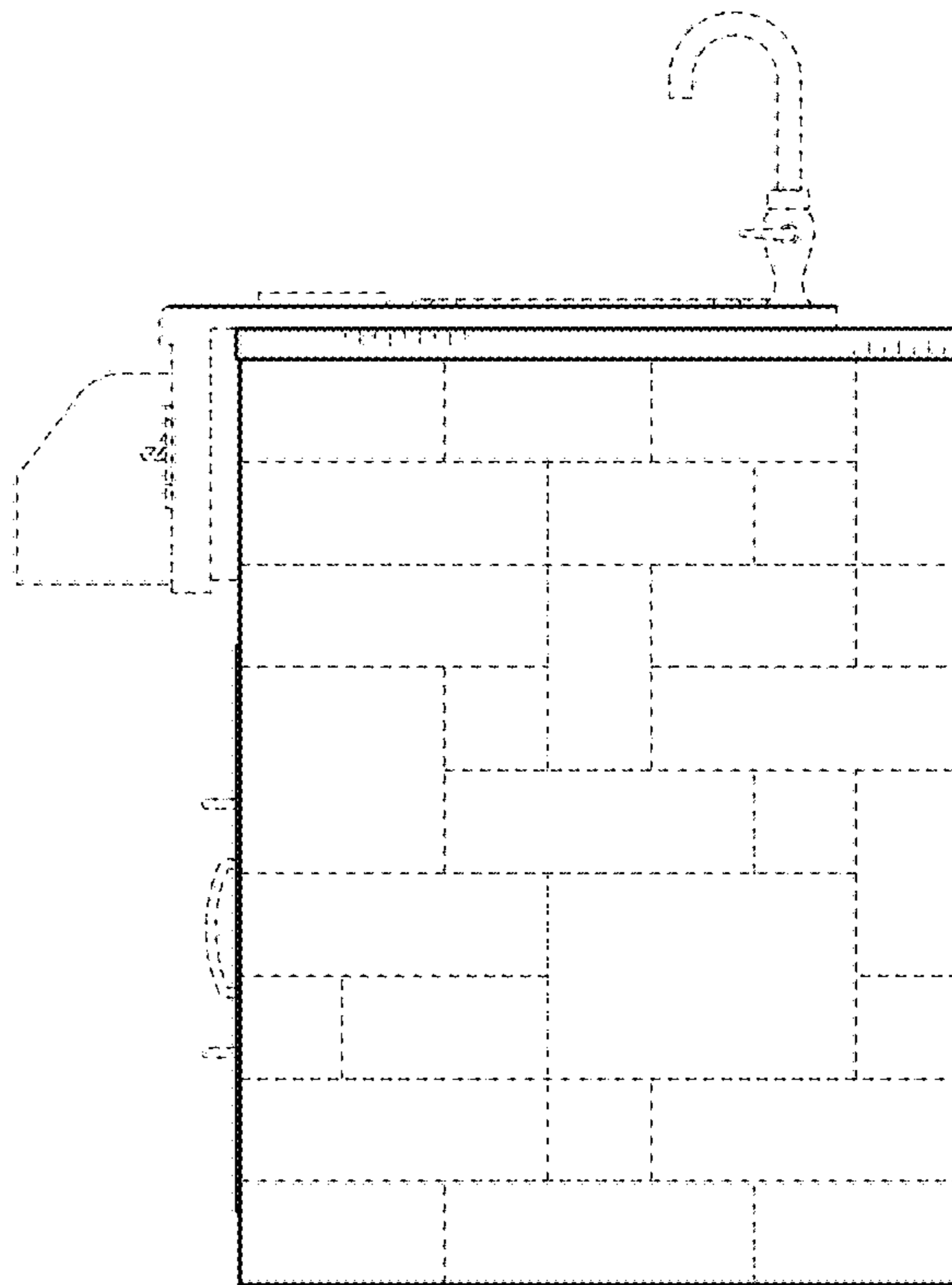


FIG. 5

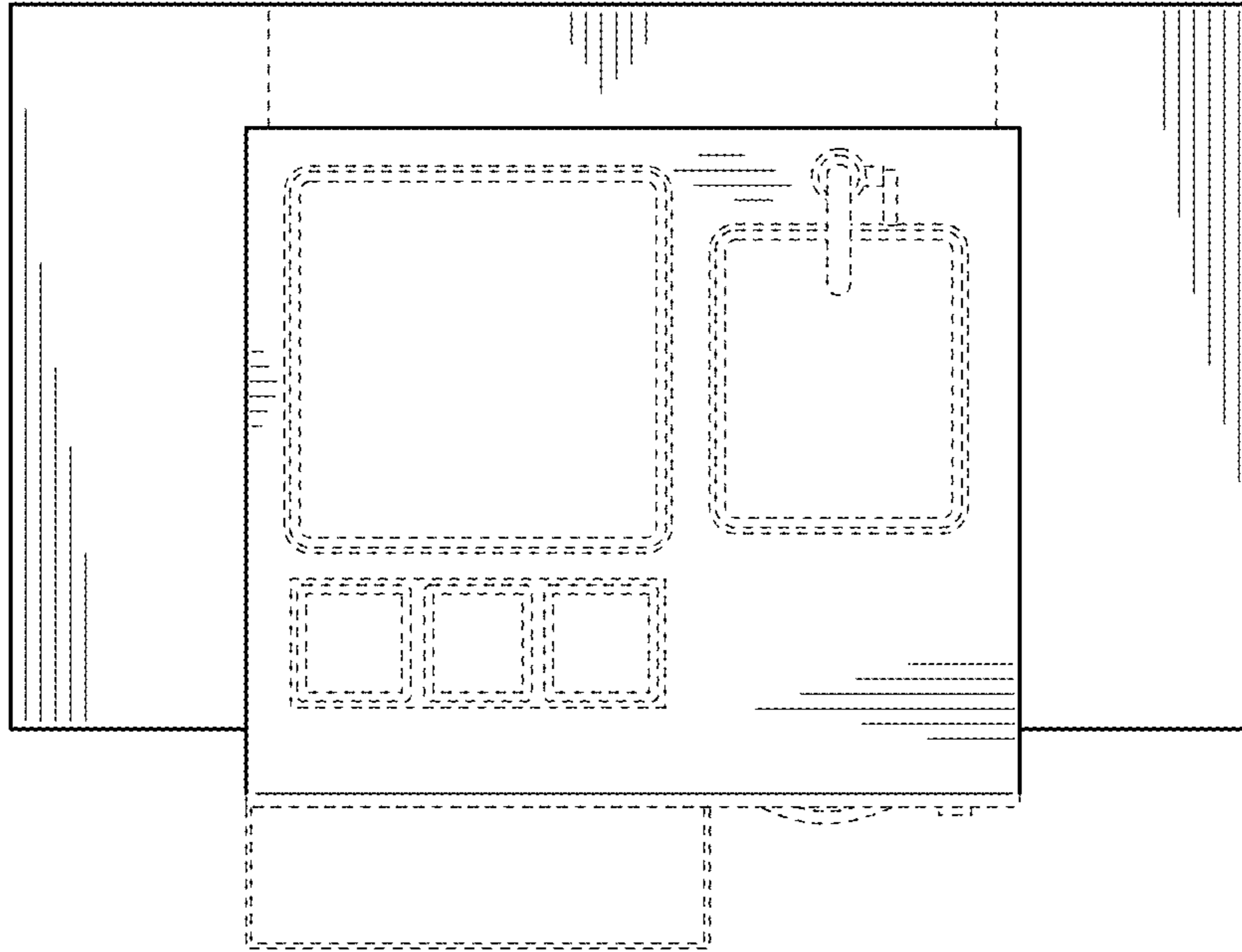


FIG. 6

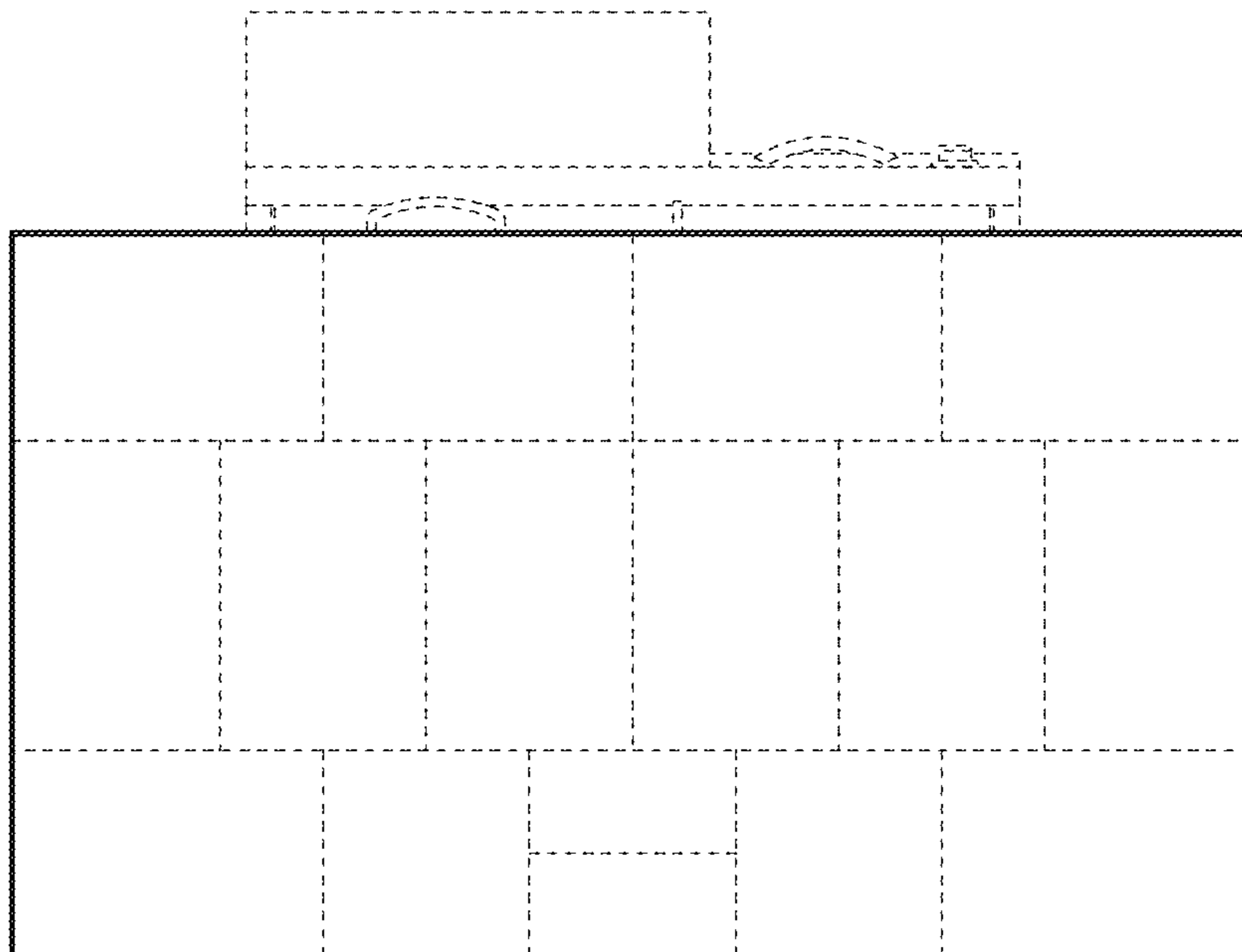


FIG. 7

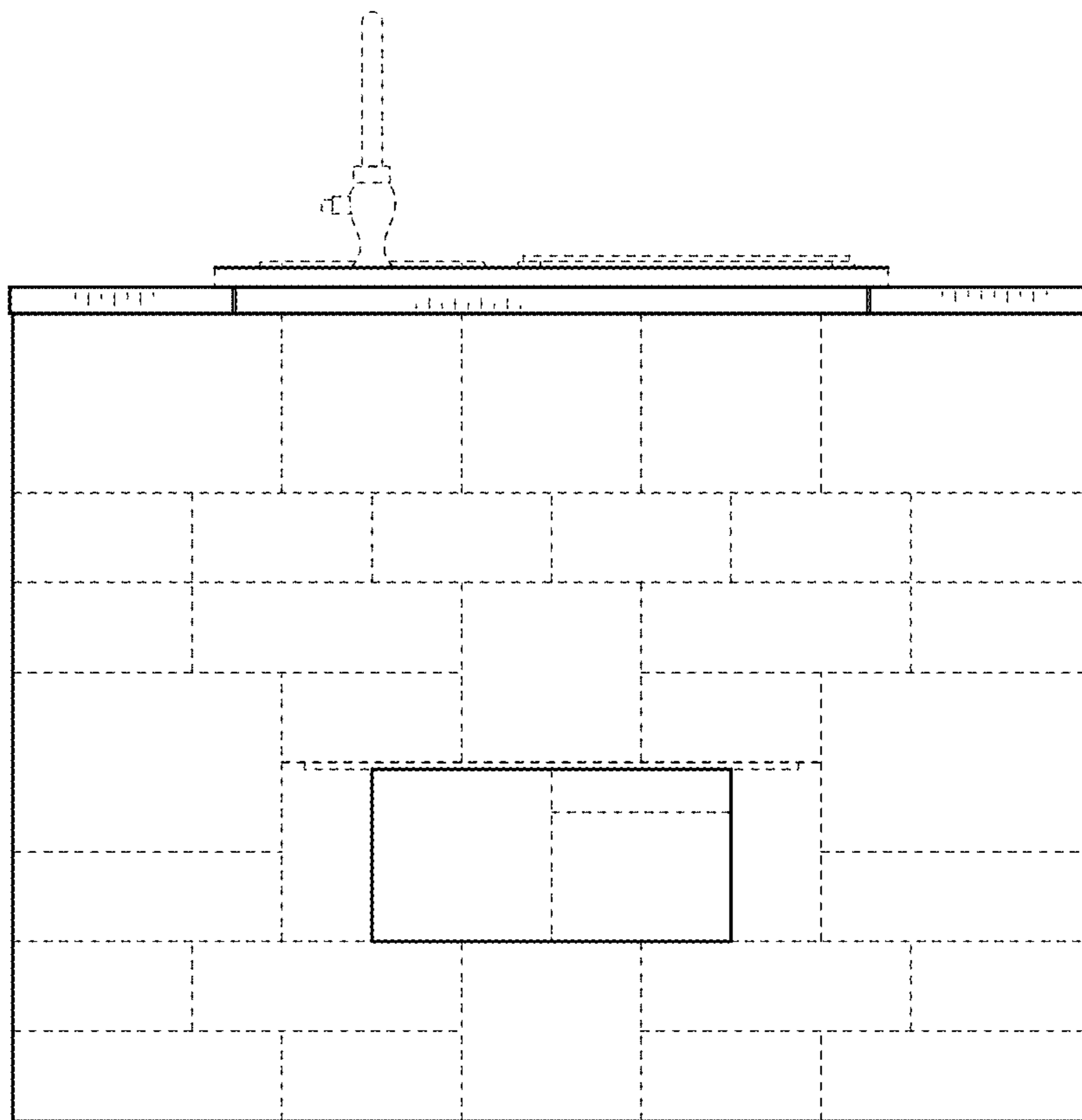


FIG. 8

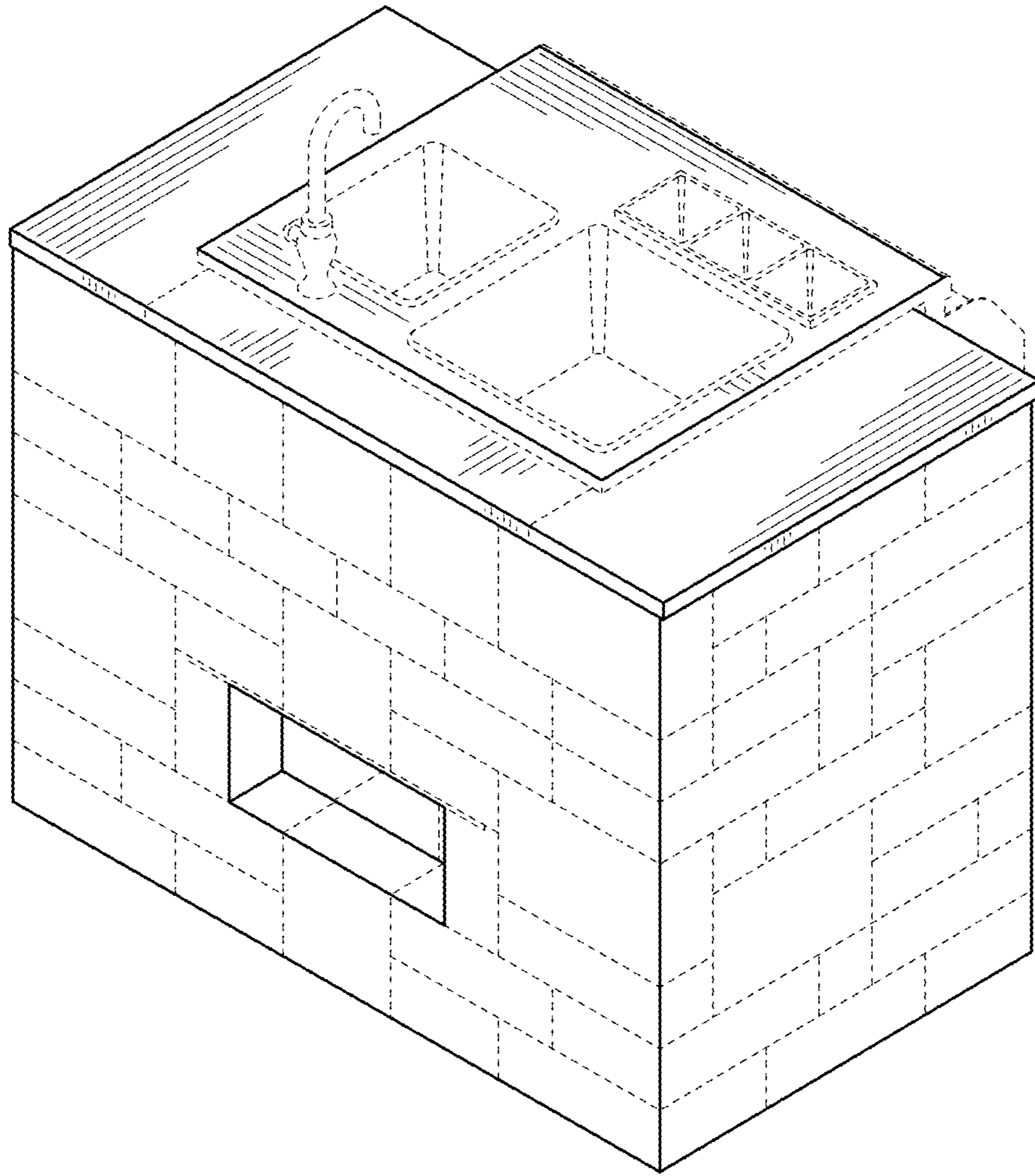


FIG. 9

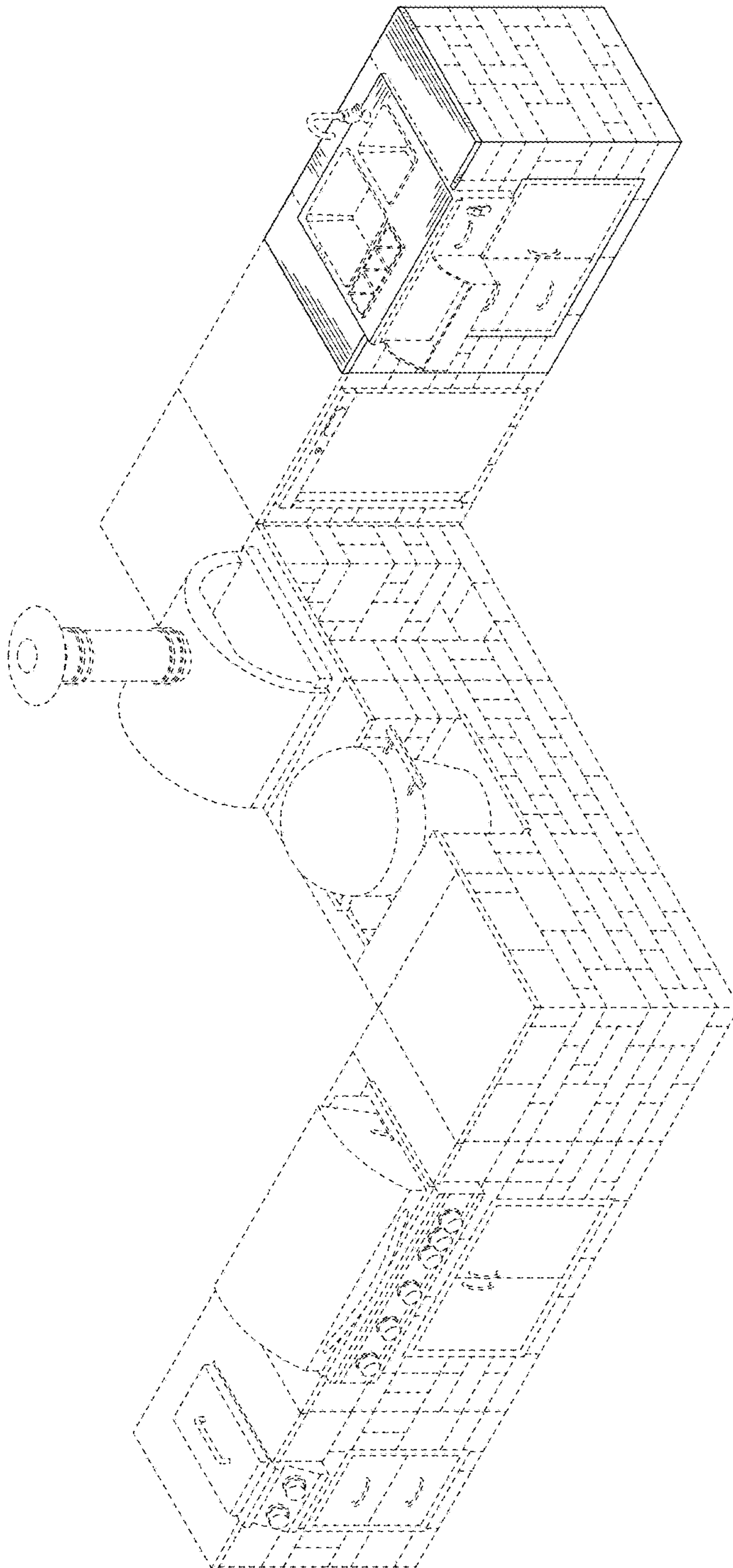


FIG. 10

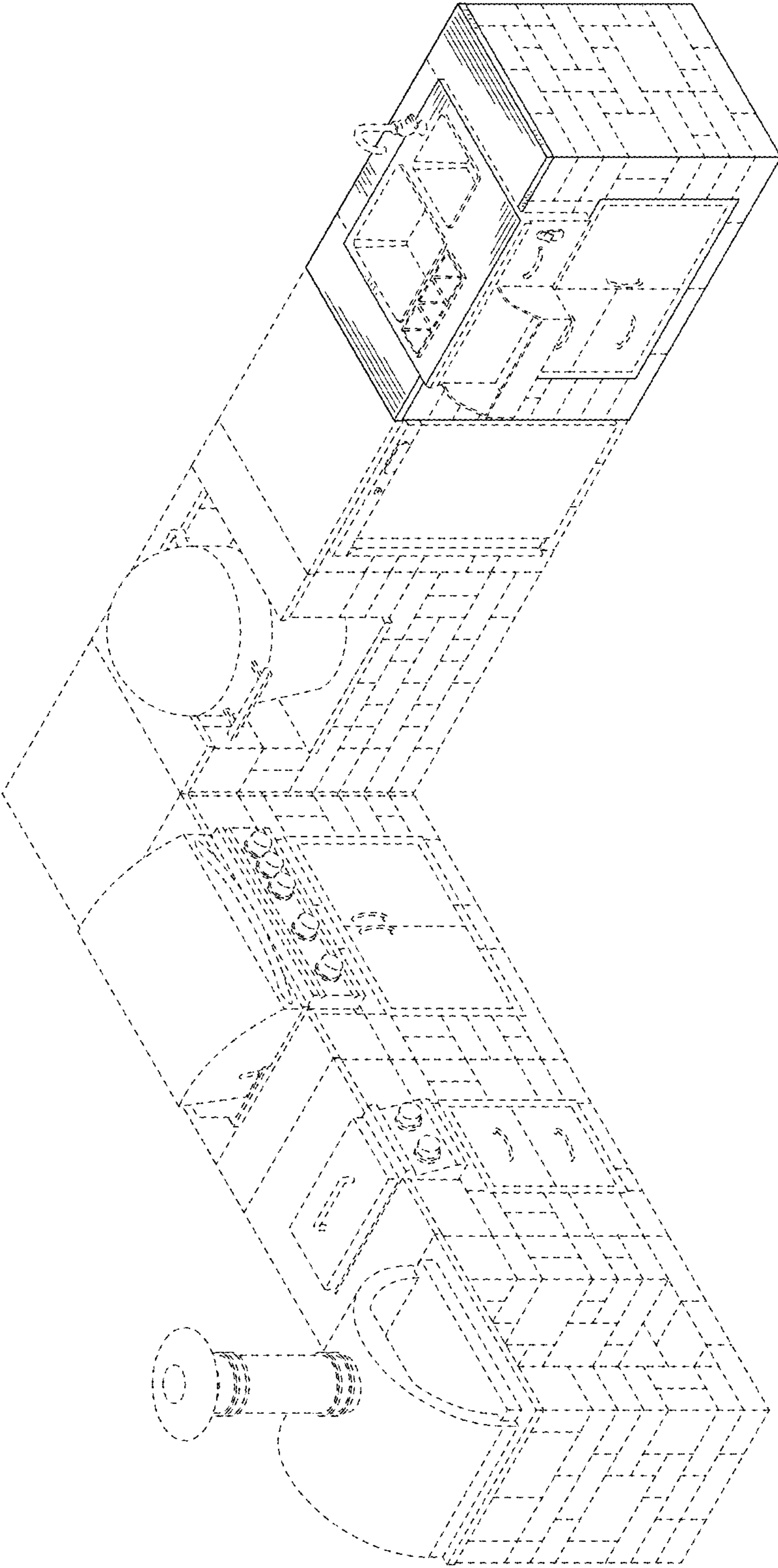


FIG. 11