



US00D814833S

(12) **United States Design Patent** (10) **Patent No.:** **US D814,833 S**
Johnson et al. (45) **Date of Patent:** **** Apr. 10, 2018**

(54) **DISPLAY UNIT**

(71) Applicant: **Target Brands, Inc.**, Minneapolis, MN (US)

(72) Inventors: **Jason W. Johnson**, Wayzata, MN (US);
Erin L. Zobel, Minneapolis, MN (US)

(73) Assignees: **Target Brands, Inc.; Leanne Taveggia Farrell**

(**) Term: **15 Years**

(21) Appl. No.: **29/591,333**

(22) Filed: **Jan. 19, 2017**

(51) **LOC (11) Cl.** **06-06**

(52) **U.S. Cl.**
USPC **D6/682**

(58) **Field of Classification Search**
USPC D6/319, 328, 682, 682.4, 682.5; D2/979
CPC A47F 5/0018; A47F 5/0043; A47B 96/00;
A47B 96/02; B65D 21/00; B65D 21/0204
See application file for complete search history.

6,170,674 B1 1/2001 Caterinacci
6,526,707 B2 * 3/2003 Tucker E06B 1/62
52/204.53
D472,456 S * 4/2003 Snyder D8/353
D674,683 S * 1/2013 Shea D8/373
D703,307 S * 4/2014 Little D23/393
D718,101 S * 11/2014 Mason D8/14
D730,719 S * 6/2015 Sundberg D8/354
9,044,107 B2 6/2015 Golden et al.
D736,418 S * 8/2015 Di Marzio D25/164
D737,671 S * 9/2015 Chou D8/376
D740,969 S * 10/2015 Di Marzio D25/164
D745,131 S * 12/2015 Sinur D23/372
D749,342 S * 2/2016 Escandon D6/682
D755,944 S * 5/2016 Daniels D23/373
D770,029 S * 10/2016 Guillemi D23/392
D791,299 S * 7/2017 Neuberger D23/393

(Continued)

Primary Examiner — Kelley Donnelly
(74) *Attorney, Agent, or Firm* — Leanne Taveggia Farrell;
Westman, Champlin & Koehler, P.A.

(57) **CLAIM**

The ornamental design for a display unit, as shown and described.

DESCRIPTION

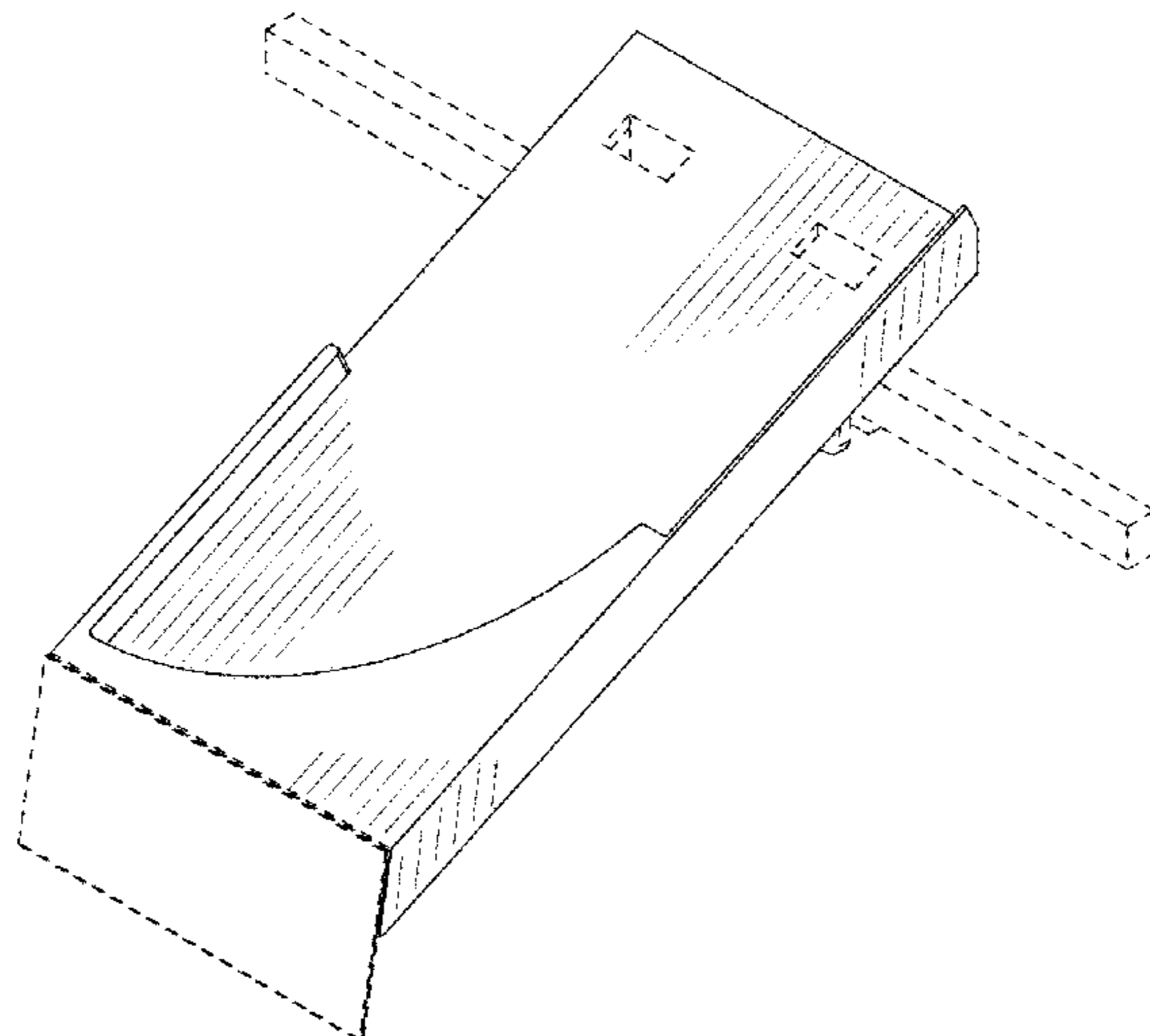
FIG. 1 is a top perspective view of a display unit with environment showing our new design;
FIG. 2 is a bottom perspective view with environment removed;
FIG. 3 is a front view thereof;
FIG. 4 is a top view thereof;
FIG. 5 is a bottom view thereof; and,
FIG. 6 is a right side view thereof, the left side view being a mirror image;
The broken lines shown in the drawings are included for purposes of illustrating environment or portions of the display unit and form no part of the claimed design.

1 Claim, 3 Drawing Sheets

(56) **References Cited**

U.S. PATENT DOCUMENTS

1,565,295 A 12/1925 Shipp
1,656,320 A 1/1928 Crowder
1,944,649 A 1/1934 Smith, Sr.
1,949,017 A 2/1934 Knupp
2,142,191 A 1/1939 Higgins
2,439,438 A 4/1948 Thomson
2,791,390 A 5/1957 Grommons
3,137,251 A 6/1964 Pendergrast, Jr.
3,184,194 A 5/1965 Beck
3,477,672 A 11/1969 Agrusa
4,694,966 A 9/1987 Sorenson et al.
5,547,157 A 8/1996 Hsiao
5,662,301 A 9/1997 Fard
D422,886 S * 4/2000 Shea D8/354



(56)

References Cited

U.S. PATENT DOCUMENTS

D799,067 S * 10/2017 Forsberg D25/119
D801,513 S * 10/2017 Burlingham D23/403
2012/0152505 A1* 6/2012 Logan F24F 13/32
165/159
2013/0081311 A1 4/2013 Luo et al.

* cited by examiner

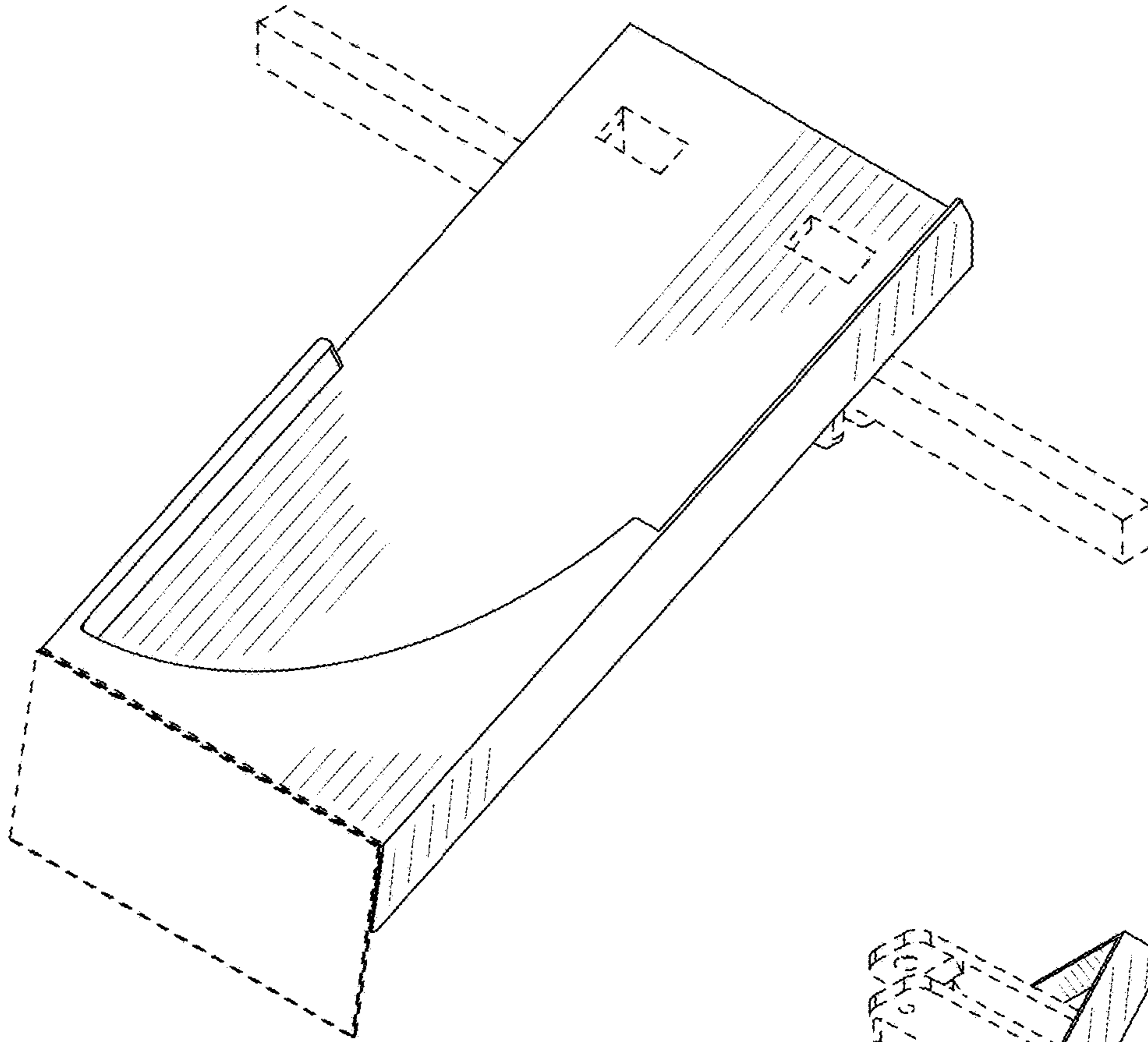


Fig. 1

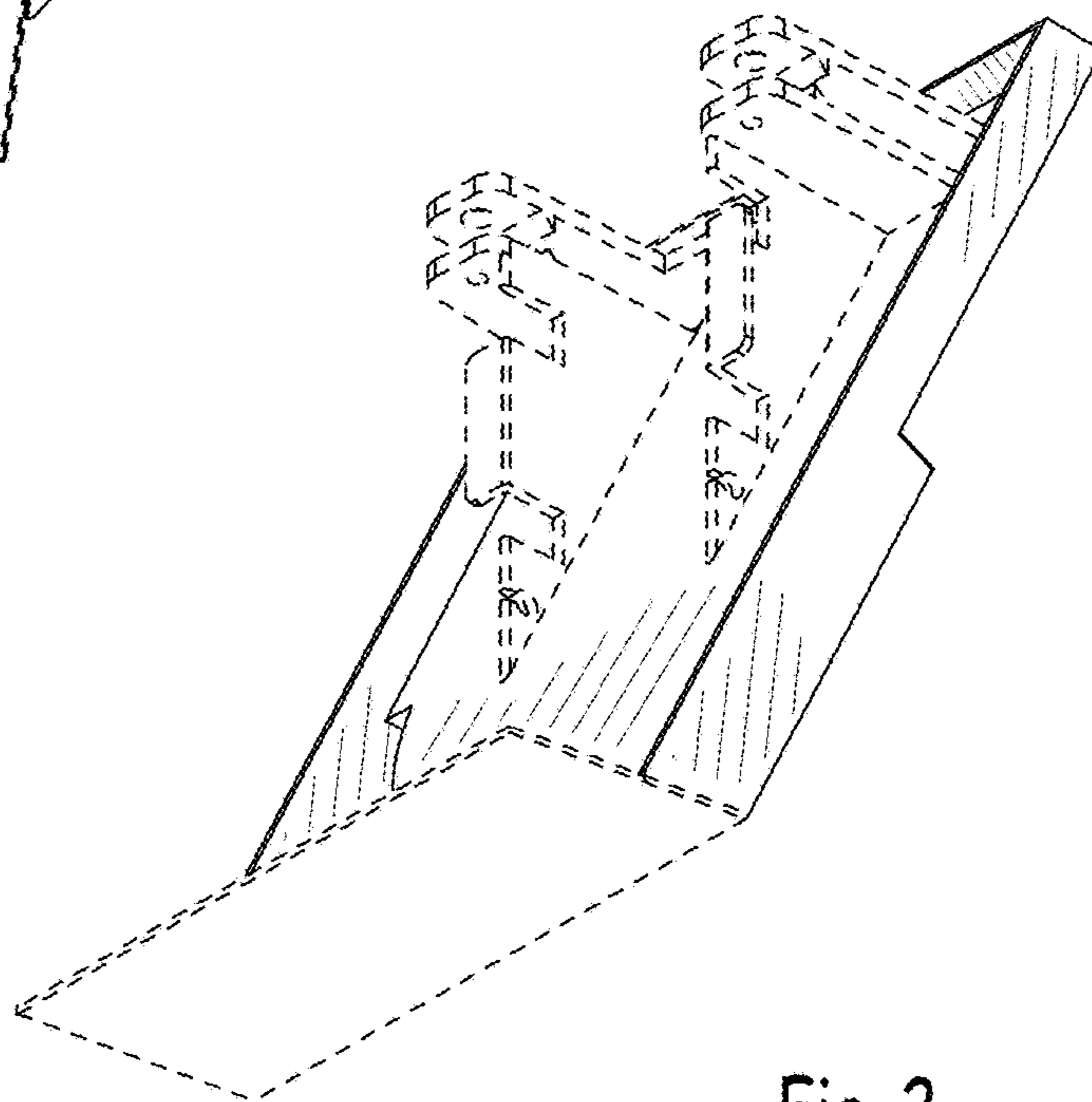


Fig. 2

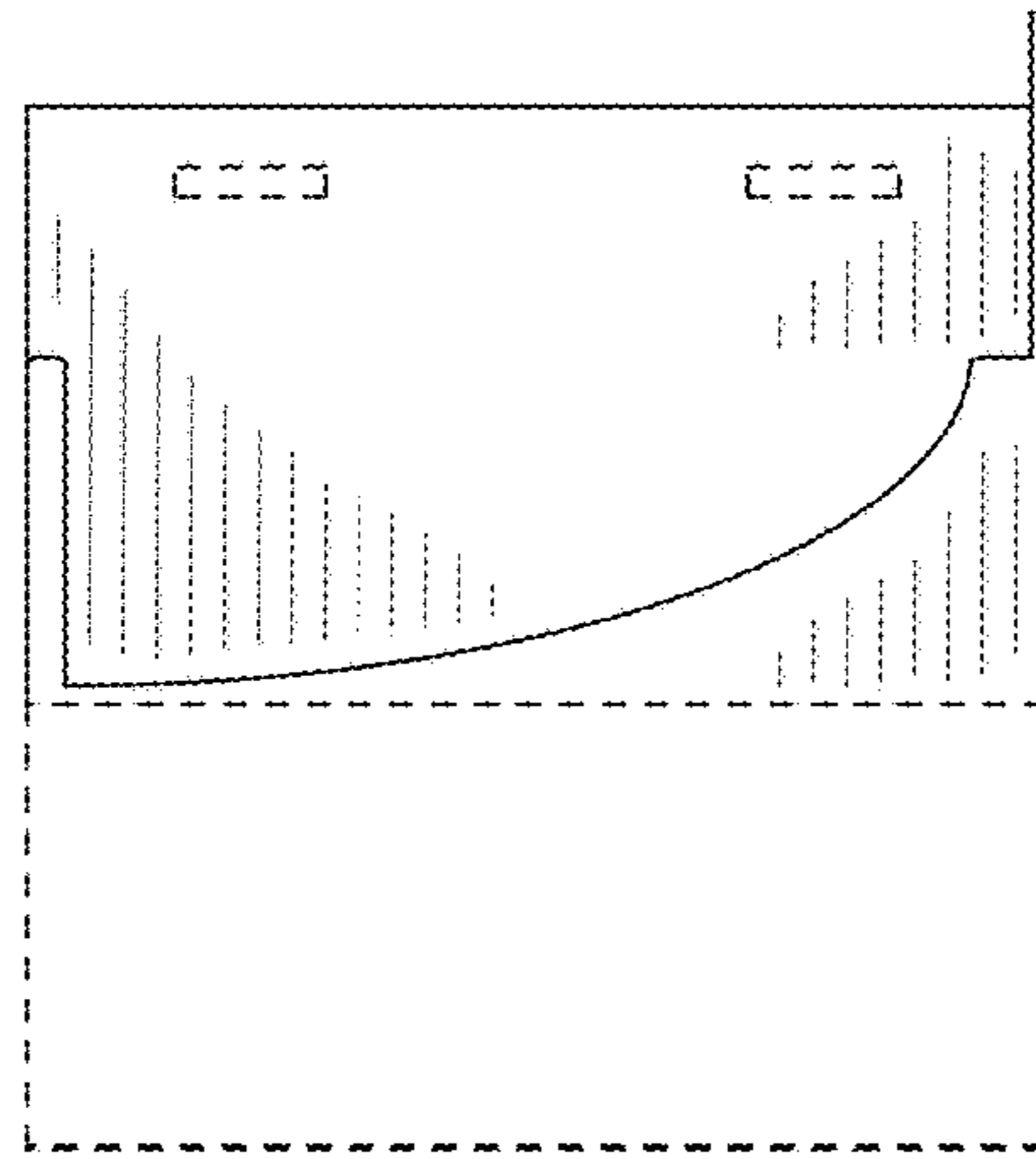


Fig. 3

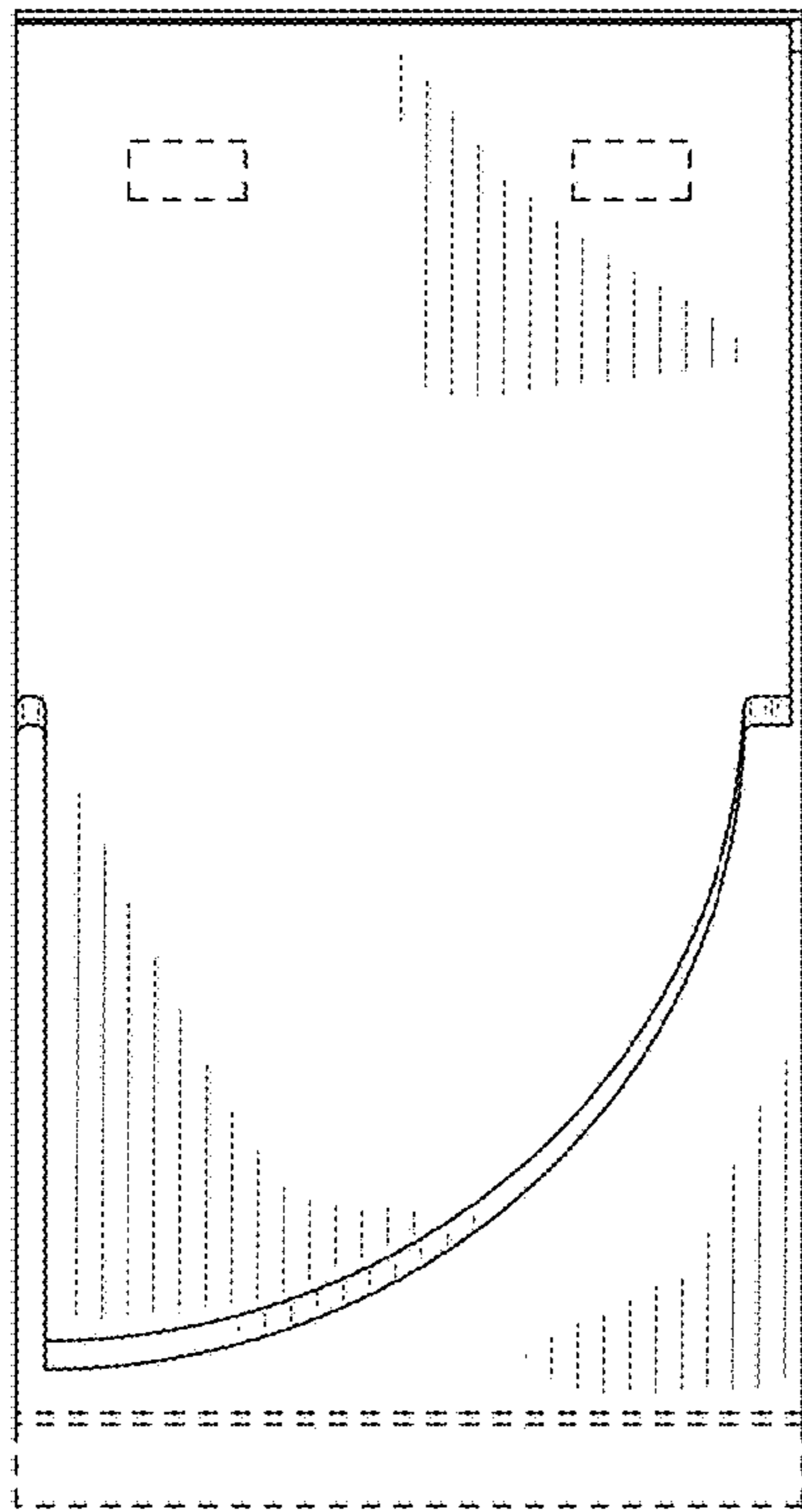


Fig. 4

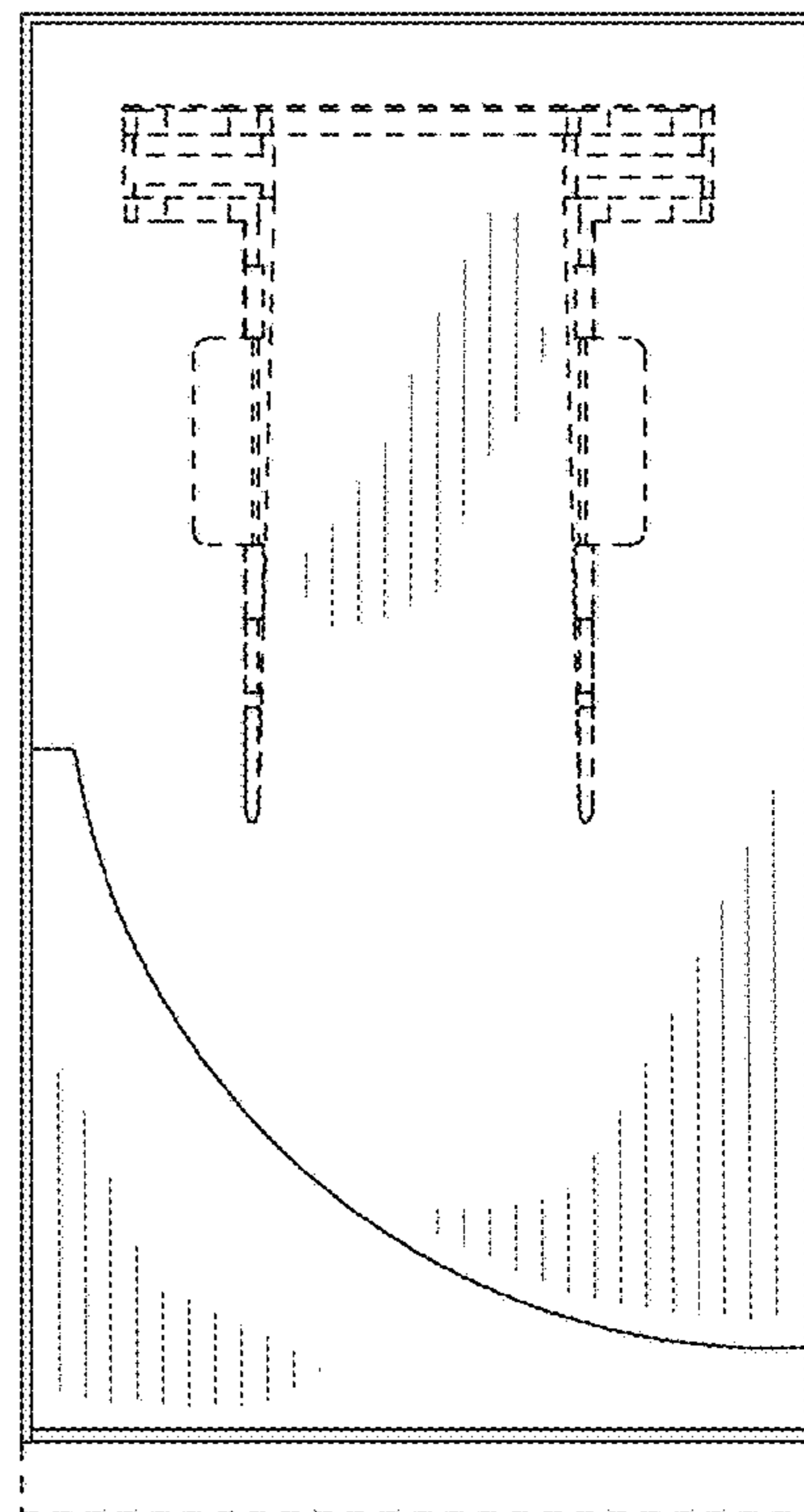


Fig. 5

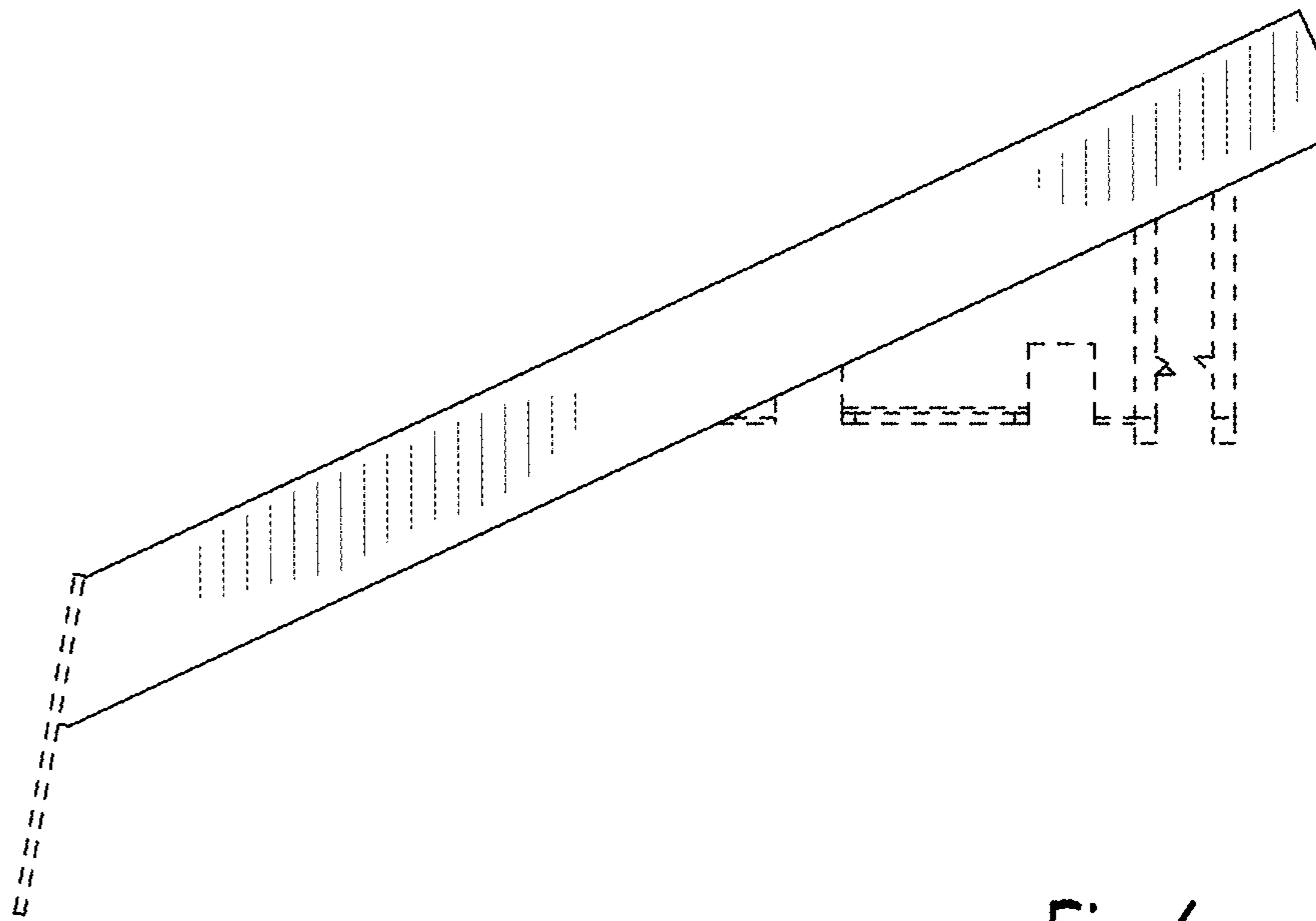


Fig. 6