



US00D814831S

(12) **United States Design Patent**  
**Modlin**

(10) **Patent No.:** **US D814,831 S**  
(45) **Date of Patent:** **\*\* Apr. 10, 2018**

(54) **TRANSPARENT DISPLAY CASE**  
(71) Applicant: **MMMG, LLC**, Culver City, CA (US)  
(72) Inventor: **Andrew Modlin**, West Hollywood, CA (US)  
(73) Assignee: **MMMG, LLC**, Culver City, CA (US)  
(\*\*) Term: **15 Years**  
(21) Appl. No.: **29/574,663**

2,489,989 A 11/1949 Totman  
2,873,877 A 2/1959 Morin  
D228,114 S \* 8/1973 Delarosa ..... D7/542  
4,074,637 A 2/1978 Lorenzen, Jr.  
4,141,461 A 2/1979 LaChance  
4,805,680 A 2/1989 Ueno  
5,072,849 A 12/1991 Blau  
5,127,718 A 7/1992 Paine et al.  
5,146,205 A 9/1992 Keifer  
D347,359 S \* 5/1994 Robbins, III ..... D7/512  
5,531,083 A 7/1996 Franck  
6,366,401 B1 4/2002 Gonda et al.  
(Continued)

(22) Filed: **Aug. 17, 2016**  
(51) **LOC (11) Cl.** ..... **20-02**  
(52) **U.S. Cl.**  
USPC ..... **D6/677; D9/504**  
(58) **Field of Classification Search**  
USPC ..... D6/300, 301, 314, 552, 661, 668, 672,  
D6/673, 675, 678, 680.2, 682, 682.1, 683;  
D9/418, 421, 423, 428, 432, 436, 445,  
D9/454, 503, 504, 668, 690, 772;  
D3/304, 315; D15/79, 81; D19/76;  
D26/51, 118; D30/101; D20/10; D99/5,  
D99/17; 206/315.1, 315.9, 777;  
D21/686; 362/612; 211/64; D28/82, 83,  
D28/85, 91; 312/111; D7/354, 396.2,  
D7/512, 542, 608, 629, 630; 222/480;  
D24/224  
CPC ..... A61G 17/00; A63B 22/0605; A47F 3/00;  
A47F 3/08; A47F 3/004; A47F 7/0057;  
A47F 2007/0092; A47F 3/10; B65D  
21/022; B65D 23/12; B65D 88/08; B65D  
90/024; B65D 90/08; B65G 51/06  
See application file for complete search history.

**OTHER PUBLICATIONS**

The Kind Land [online] found on Nov. 17, 2017 from URL  
<https://www.thekindland.com/products/16-photos-and-a-few-hundred-words-from-the-apple-1737>[Nov. 17, 2017 6:26:37 PM] (Year: 2016).\*

(Continued)

*Primary Examiner* — Vy N Koenig  
*Assistant Examiner* — Keith J Wilson  
(74) *Attorney, Agent, or Firm* — Kevin Schraven; Anooj Patel; Hankin Patent Law, APC

(57) **CLAIM**

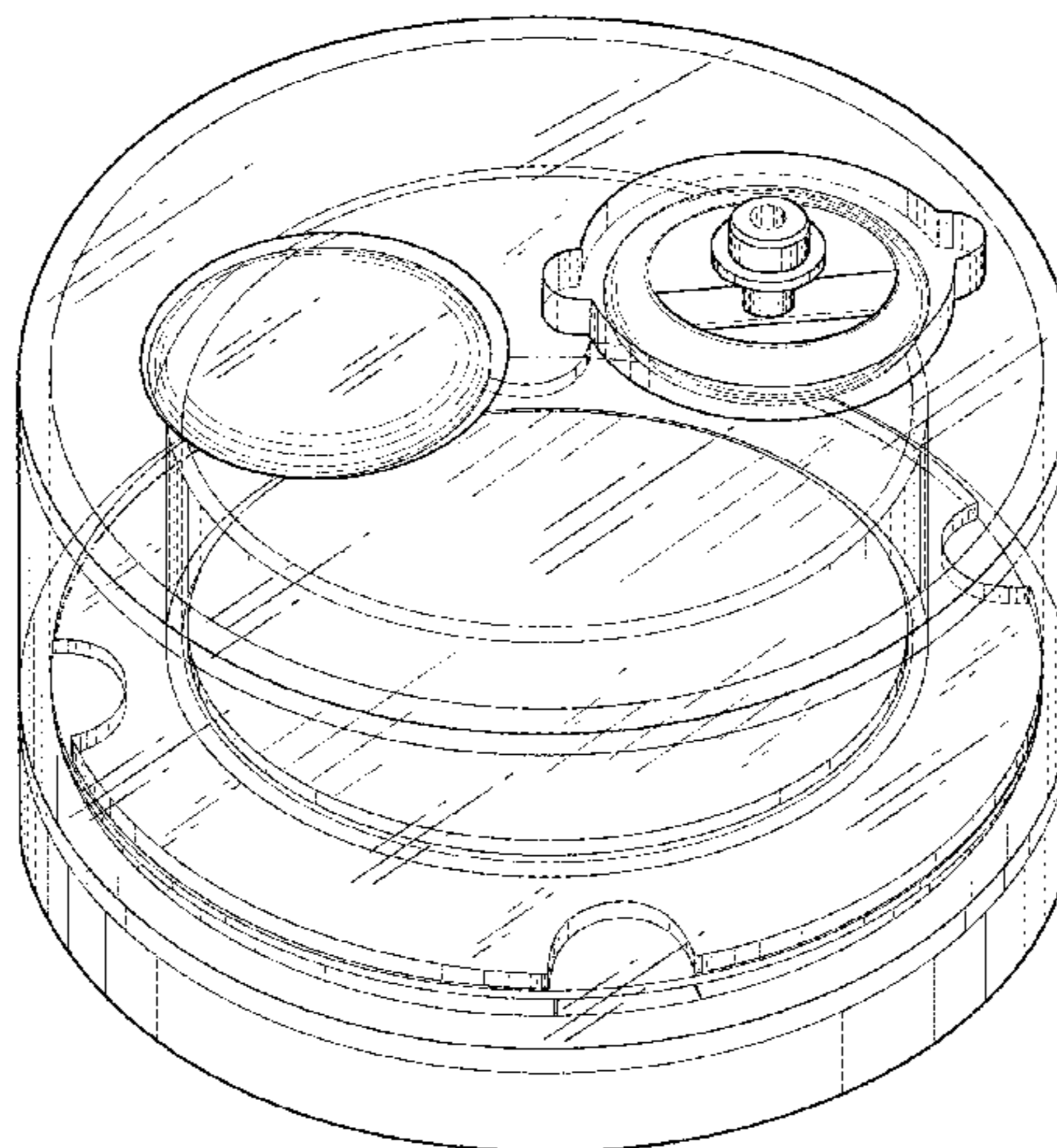
The ornamental design for a transparent display case, as shown and described.

**DESCRIPTION**

FIG. 1 is a top perspective view of a transparent display case, showing my new design.  
FIG. 2 is a bottom perspective view thereof.  
FIG. 3 is a front elevational view thereof.  
FIG. 4 is a rear elevational view thereof.  
FIG. 5 is a right side elevational view thereof.  
FIG. 6 is a left side elevational view thereof.  
FIG. 7 is a top plan view thereof; and,  
FIG. 8 is a bottom plan view thereof.

**1 Claim, 8 Drawing Sheets**

(56) **References Cited**  
U.S. PATENT DOCUMENTS  
1,756,249 A 4/1930 Kaufman  
2,106,364 A 12/1935 Thorn  
2,114,823 A 1/1937 Toscano  
2,177,589 A 7/1937 Jacker



(56)

References Cited

U.S. PATENT DOCUMENTS

6,476,717 B1 11/2002 Gross et al.  
 6,604,390 B1 8/2003 Nooner  
 6,641,390 B2 11/2003 Genuise  
 6,726,047 B2 4/2004 Lin  
 6,735,022 B1 5/2004 Solitt  
 D515,928 S \* 2/2006 Pace ..... D9/504  
 7,001,038 B2 2/2006 Bock et al.  
 7,021,489 B2 4/2006 Wilson  
 7,135,972 B2 11/2006 Bonato  
 D560,495 S \* 1/2008 Mettler ..... D28/91  
 7,331,458 B2 2/2008 Scott  
 D592,956 S \* 5/2009 Thiellier ..... D28/82  
 7,714,722 B2 5/2010 Marszalek et al.  
 D630,949 S \* 1/2011 Lim ..... D9/690  
 D660,693 S \* 5/2012 Berggren ..... D9/421  
 D664,840 S \* 8/2012 Jones ..... D9/423  
 8,251,240 B2 8/2012 Seelhofer  
 8,292,097 B2 10/2012 Goldberg  
 D696,948 S \* 1/2014 Kim ..... D9/454  
 D703,537 S \* 4/2014 Vogel ..... D7/630  
 D731,672 S \* 6/2015 Kuroda ..... D24/224  
 D746,156 S \* 12/2015 Bondioli ..... D9/772  
 D756,226 S \* 5/2016 In ..... D9/504  
 D756,790 S \* 5/2016 Henriksson ..... D9/504  
 D758,847 S \* 6/2016 Stuart ..... D9/428  
 D769,079 S \* 10/2016 Kotani ..... D7/608  
 D776,354 S \* 1/2017 Schlatter ..... D28/85  
 D798,650 S \* 10/2017 Joseph ..... D7/354

D800,511 S \* 10/2017 Wong ..... D7/629  
 D802,362 S \* 11/2017 Spivey ..... D7/396.2  
 D802,760 S \* 11/2017 Neby ..... D24/130  
 2006/0151504 A1 7/2006 Garvie  
 2006/0278665 A1 \* 12/2006 Bennett ..... A45D 33/16  
 222/480  
 2006/0283859 A1 12/2006 Lu  
 2007/0175900 A1 8/2007 Richardson  
 2012/0269461 A1 10/2012 Proctor et al.

OTHER PUBLICATIONS

Bud Bar Displays, Aroma E-Pod, catalog, 2015, United States  
<https://www.budbardisplays.com/product/pods/aroma-e-pod>.  
 Bud Bar Displays, Budtender, catalog, 2015, United States <https://www.budbardisplays.com/product/displays/budtender>.  
 Bud Bar Displays, Canna-Pod, catalog, 2015, United States <https://www.budbardisplays.com/product/pods/canna-pod>.  
 Bud Bar Displays, Bud Pod, catalog, 2015, United States <https://www.budbardisplays.com/product/pods/bud-pod>.  
 Welcome to Nature-Watch, Bug Box with Magnifying Lid, catalog, 2016, United States <https://www.nature-watch.com/bug-box-with-magnifying-lid-p-1194.html>.  
 Amazon, Pack of 3 Magnifier Box Bug Viewer Magnifies up to 5X, catalog, 2016, United States [https://www.amazon.com/Pack-Magnifier-Box-Viewer-Magnifies/dp/B017N463L0/ref=sr\\_1\\_1?s=industrial&ie=UTF8&qid=1467759624&sr=1-1&keywords=glass+Magnifying+Magnifier+Boxes](https://www.amazon.com/Pack-Magnifier-Box-Viewer-Magnifies/dp/B017N463L0/ref=sr_1_1?s=industrial&ie=UTF8&qid=1467759624&sr=1-1&keywords=glass+Magnifying+Magnifier+Boxes).

\* cited by examiner

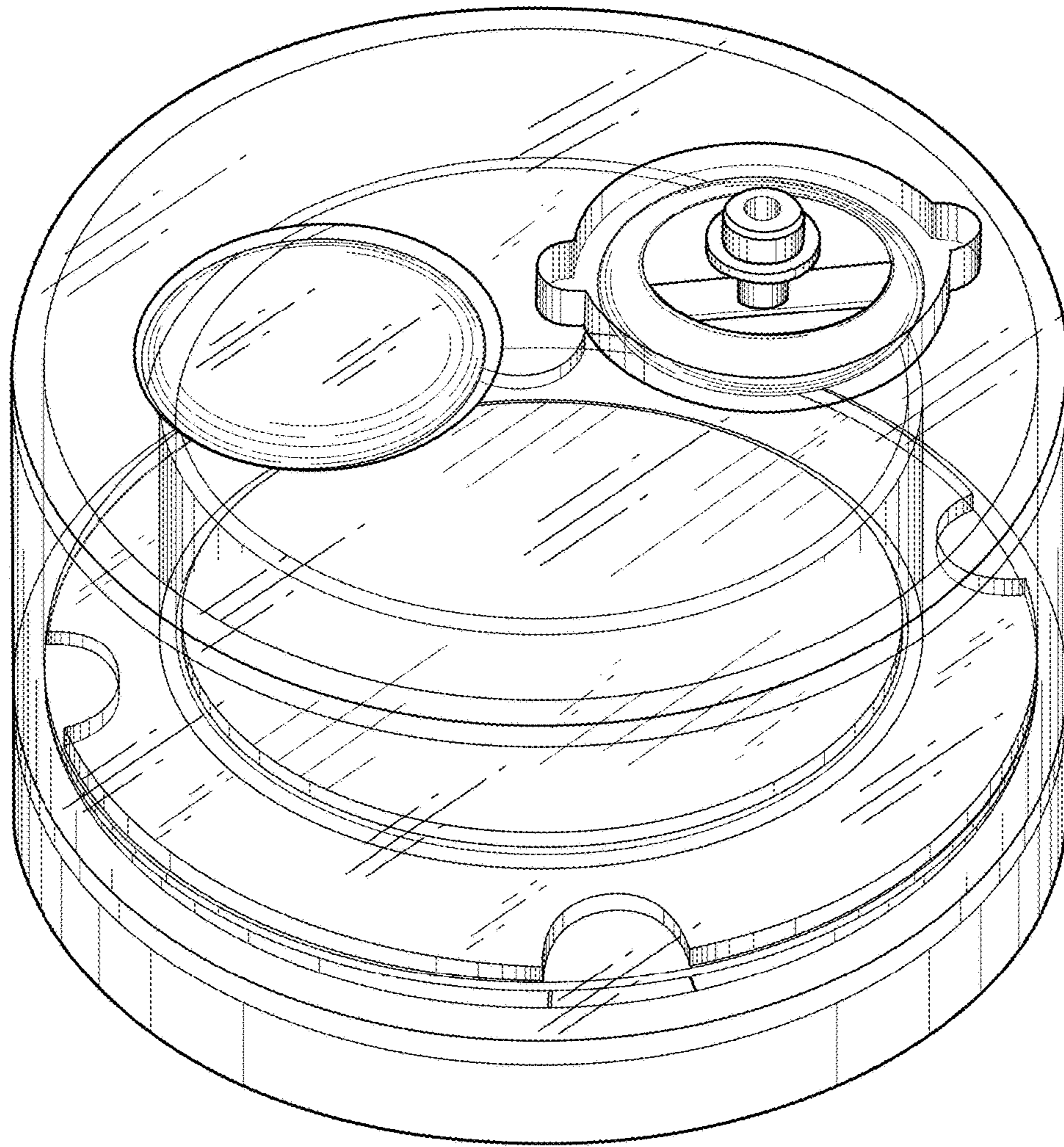


Fig. 1

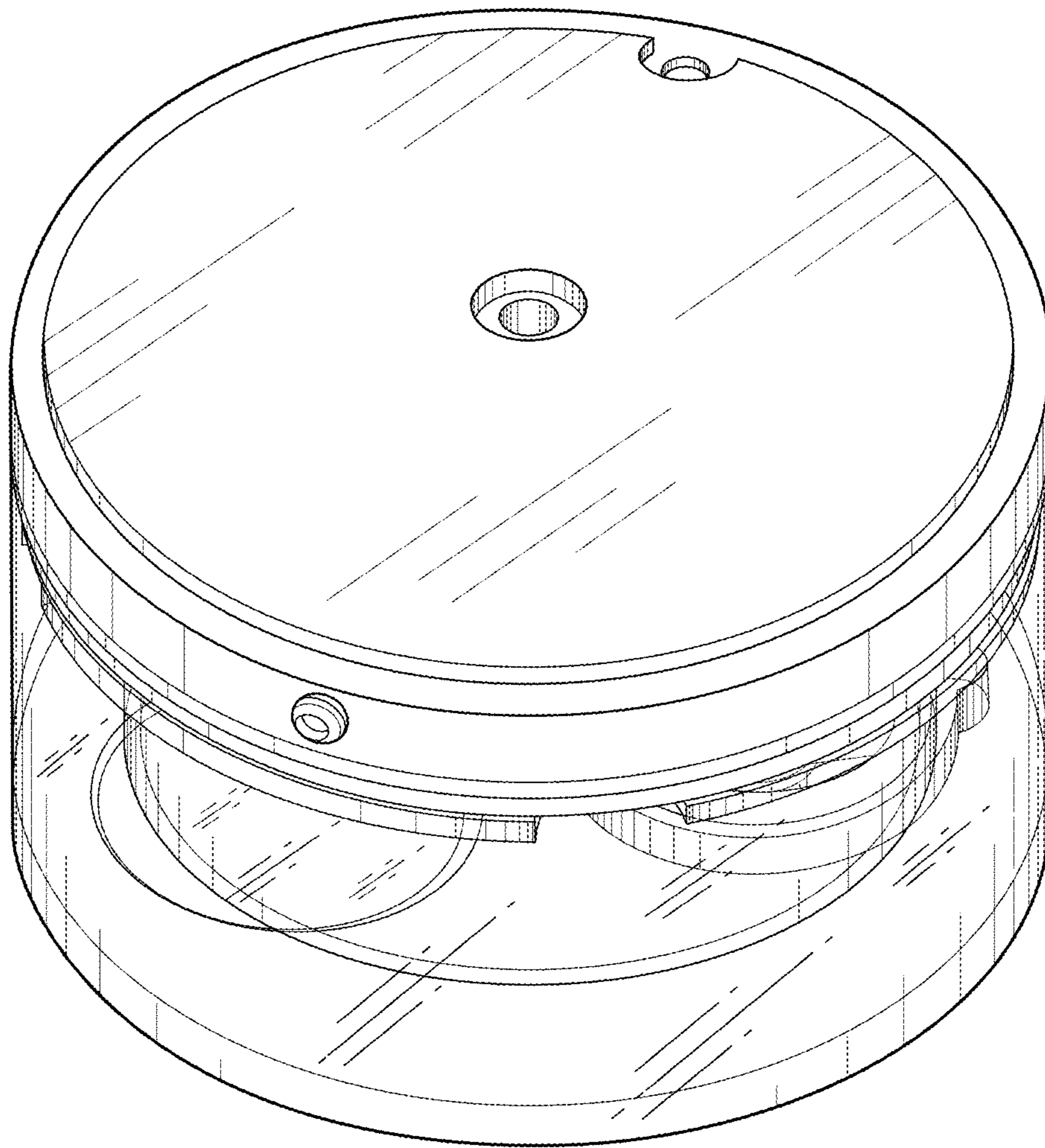


Fig.2

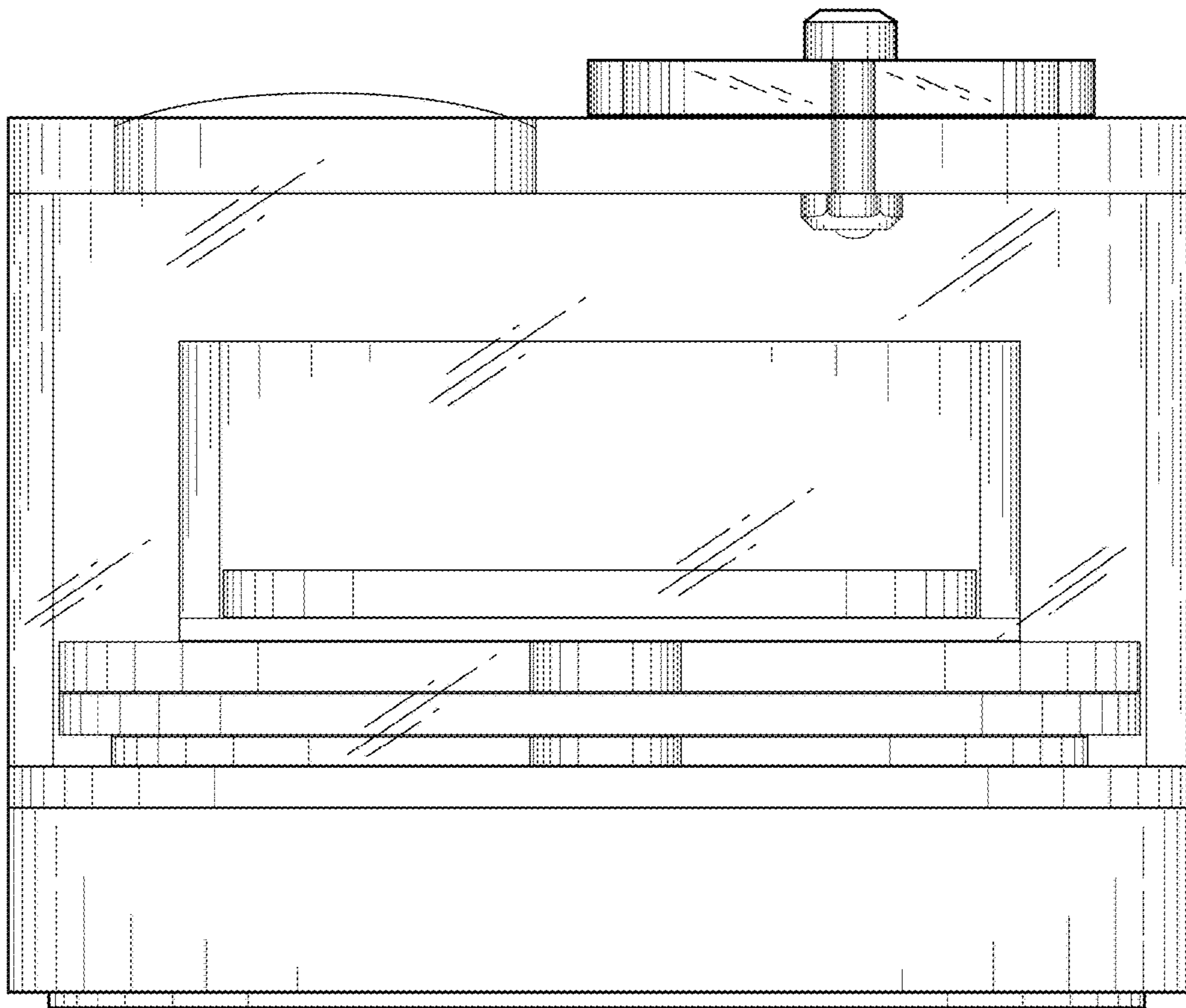


Fig.3

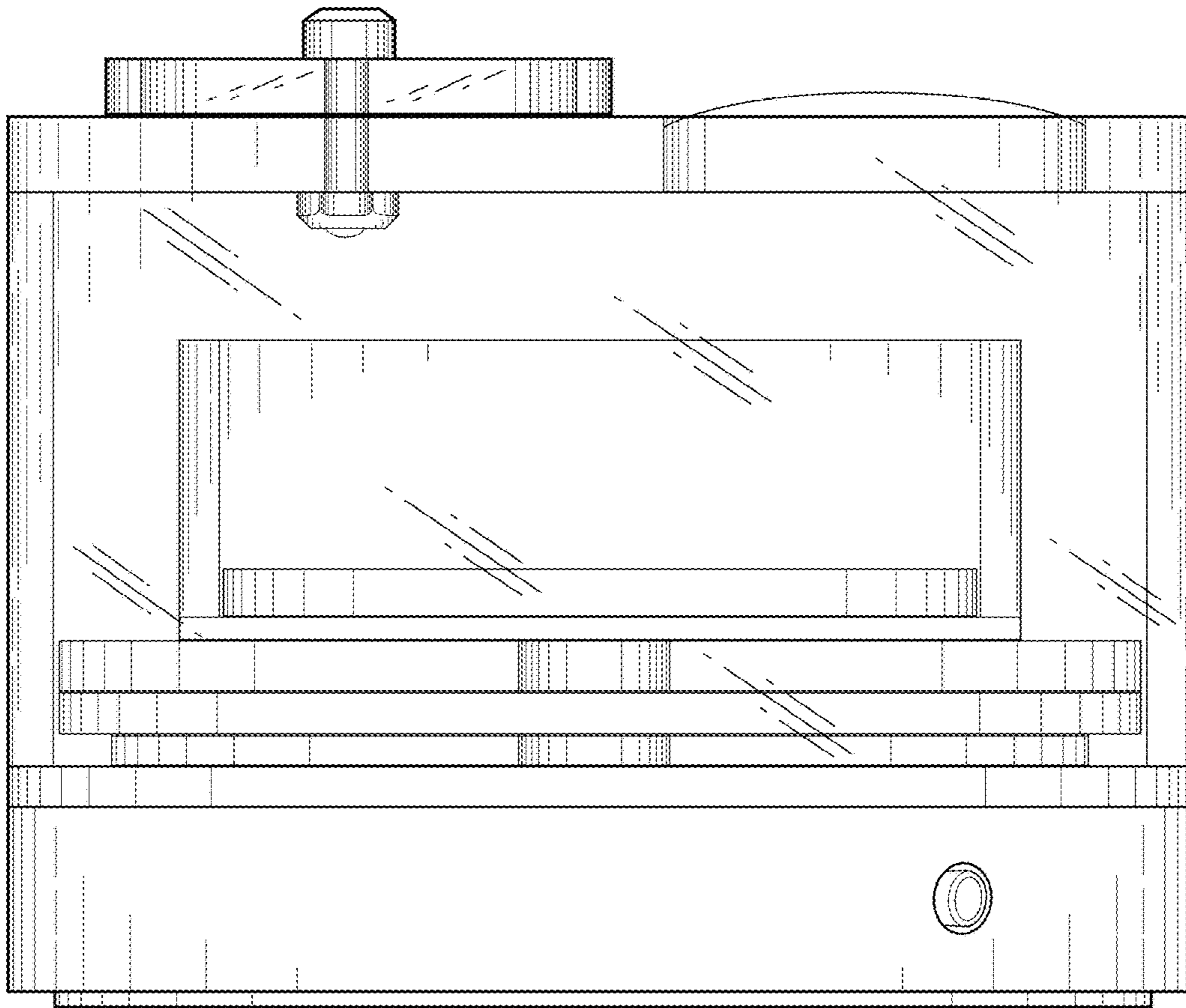


Fig.4

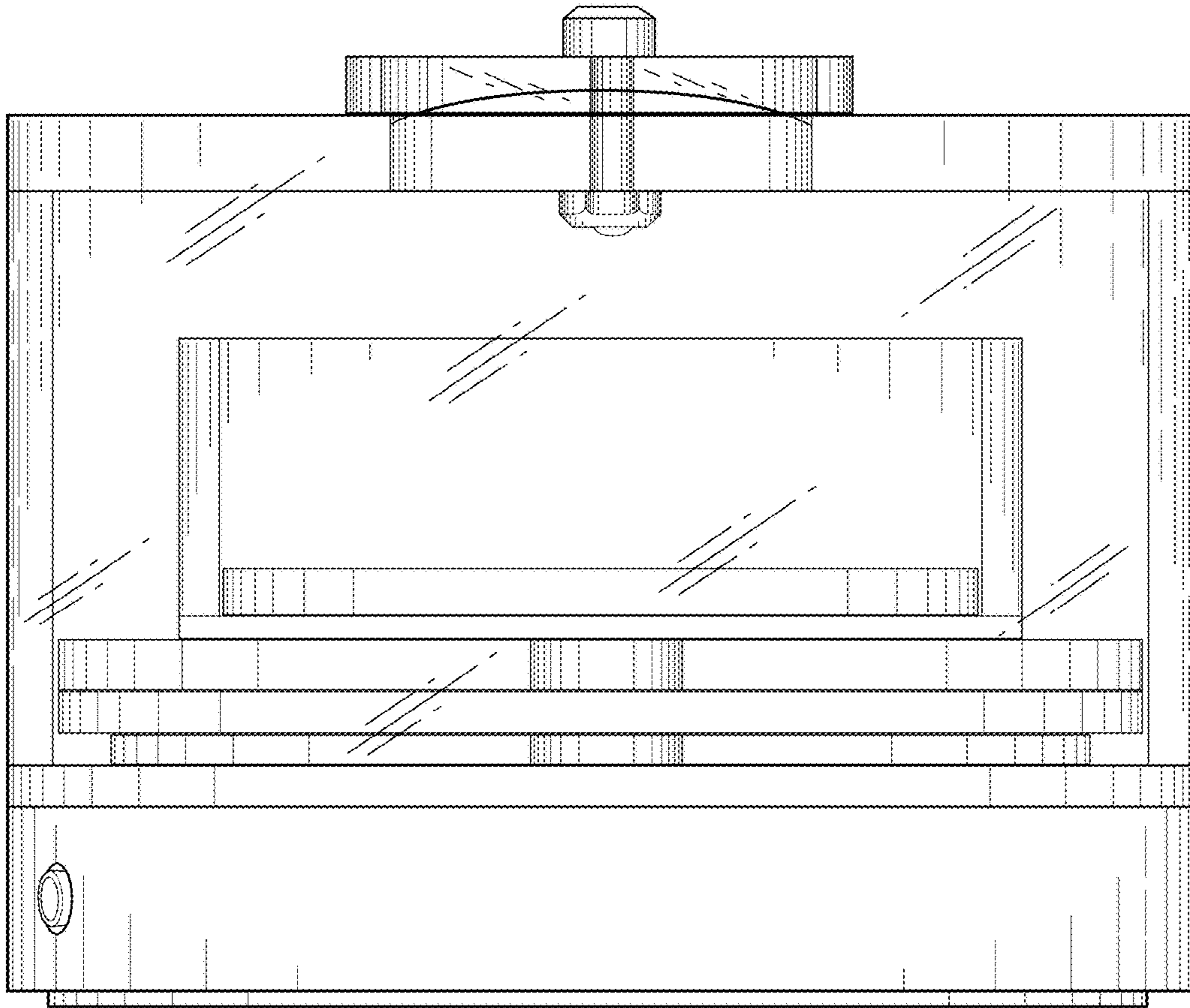


Fig.5

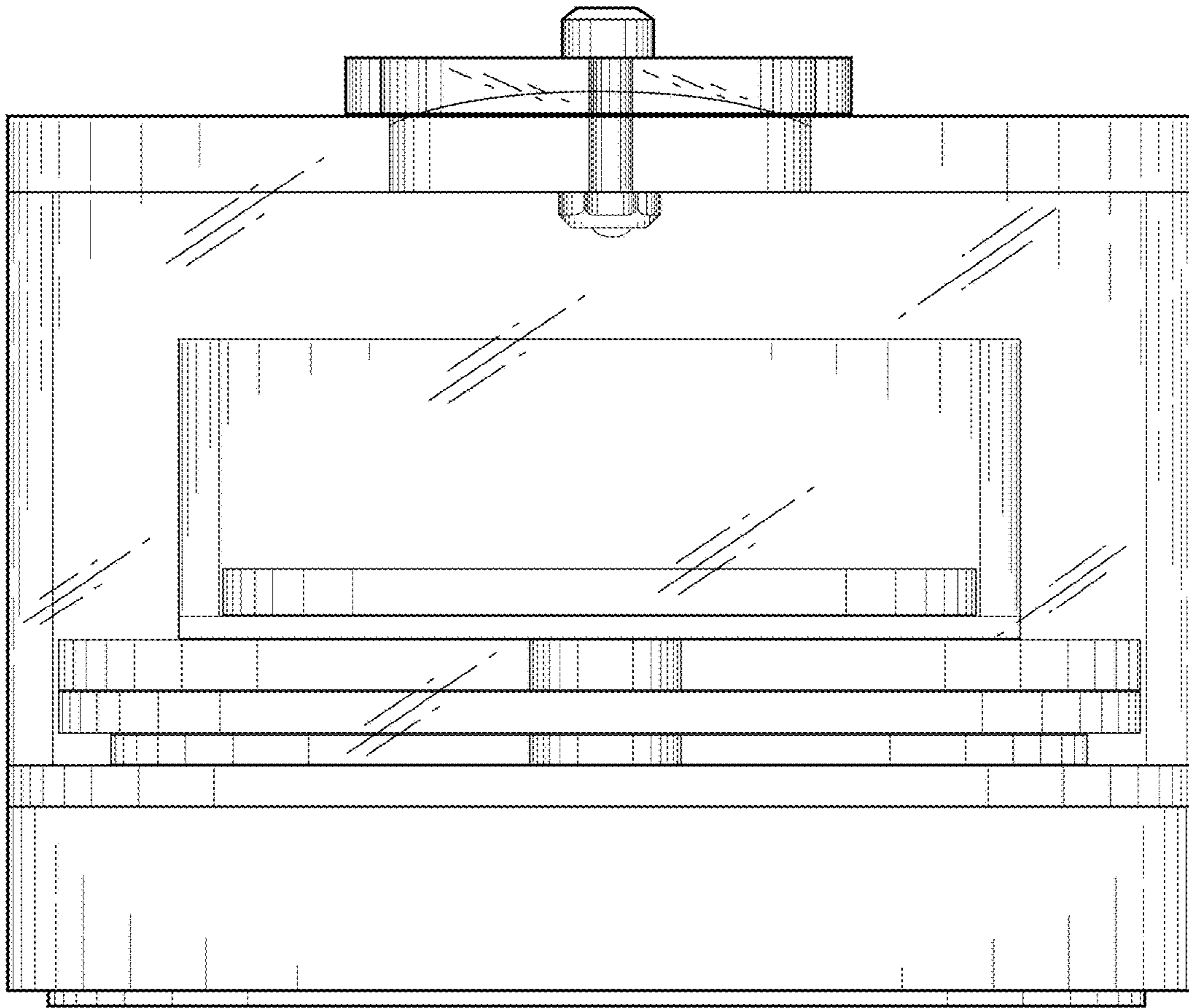


Fig.6



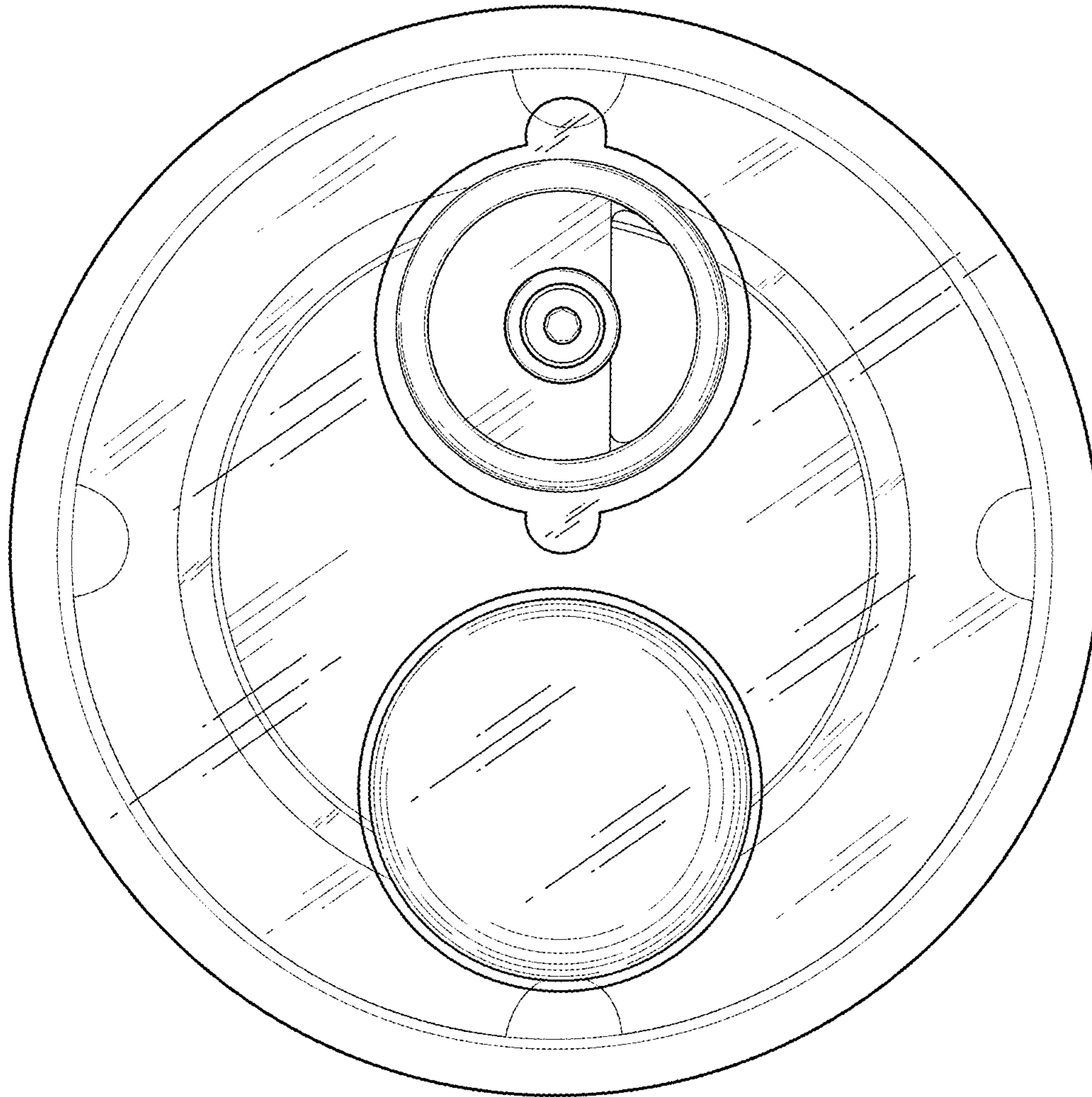


Fig.7

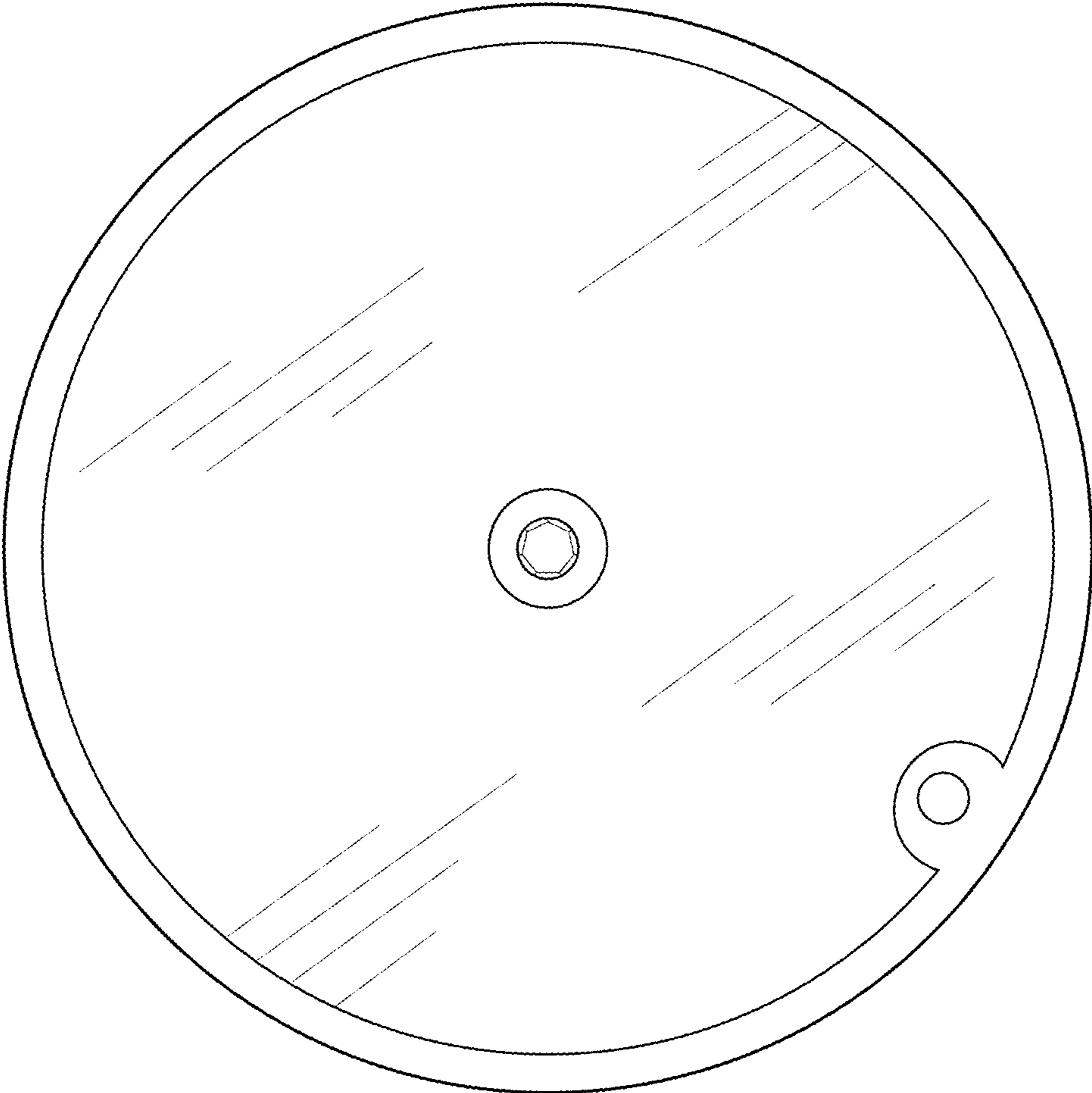


Fig.8