



US00D814830S

(12) **United States Design Patent** (10) **Patent No.:** **US D814,830 S**
Flora (45) **Date of Patent:** **** Apr. 10, 2018**

(54) **FOLDING BED FOR SPACE SAVING STORAGE WITHIN A CABINET**

(71) Applicant: **Iqbal Singh Flora**, Abbotsford BC (CA)

(72) Inventor: **Iqbal Singh Flora**, Abbotsford BC (CA)

(**) Term: **15 Years**

(21) Appl. No.: **29/586,440**

(22) Filed: **Dec. 2, 2016**

(51) **LOC (11) Cl.** **06-04**

(52) **U.S. Cl.**
USPC **D6/664**

(58) **Field of Classification Search**
USPC D3/288, 304, 307, 309; D6/334-336, D6/349, 351, 352, 358, 360, 361, 364,
(Continued)

(56) **References Cited**

U.S. PATENT DOCUMENTS

3,792 A 10/1844 Kingman
74,494 A 2/1868 Burr
(Continued)

FOREIGN PATENT DOCUMENTS

CN 87208349 W 5/1987

OTHER PUBLICATIONS

“Cabinet Bed” Sep. 25, 2010, kalokofurniture.com, site visited Nov. 7, 2017 <<http://www.kalokofurniture.com/furniture/byhierarchy/4/18.html>> (Year: 2010).*

Primary Examiner — Kevin K Rudzinski

Assistant Examiner — Paul D Bohannon

(74) *Attorney, Agent, or Firm* — Cameron IP

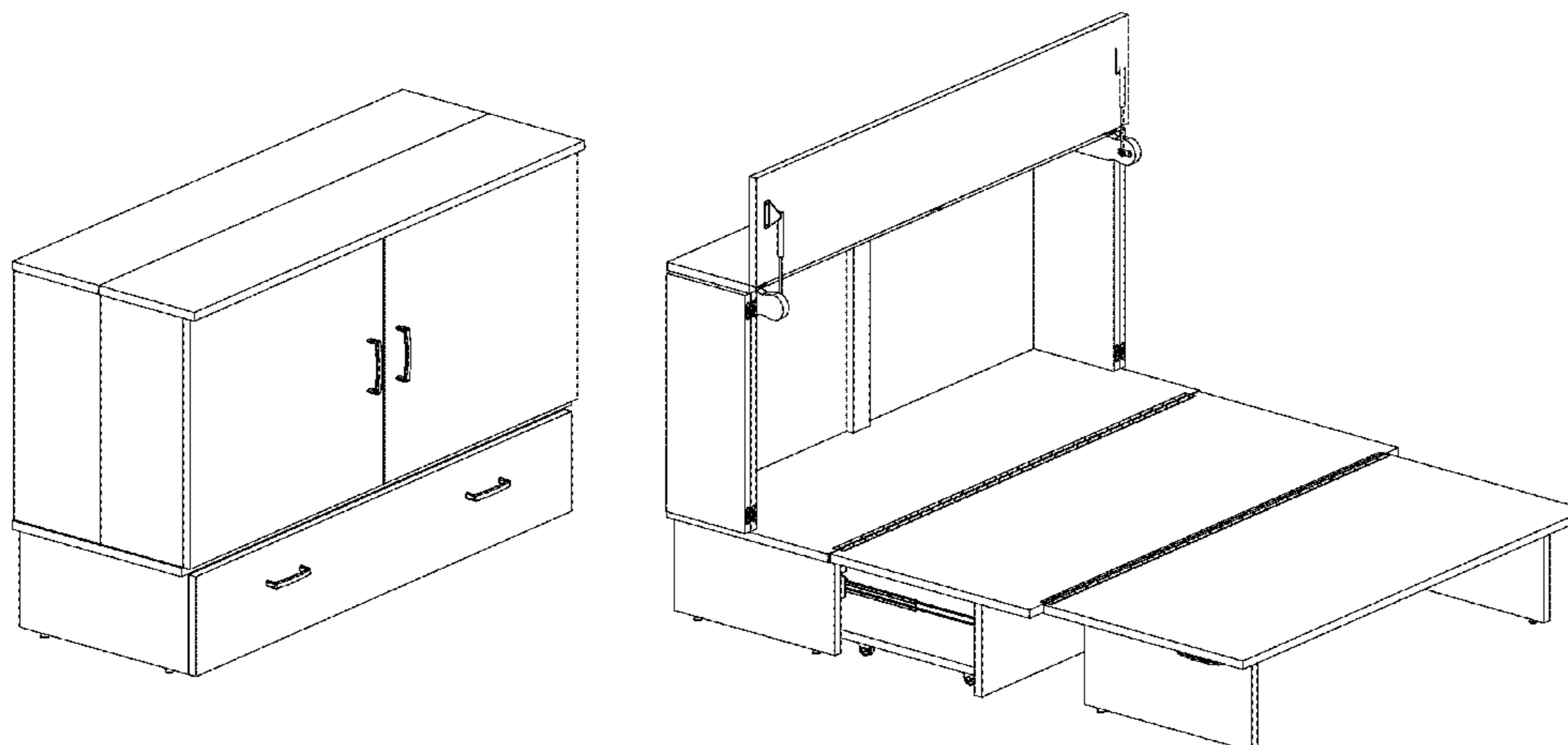
(57) **CLAIM**

The ornamental design for a folding bed for space saving storage within a cabinet, as shown and described.

DESCRIPTION

FIG. 1 is a perspective view of the design in a closed position;
FIG. 2 is a front view of the design in the closed position;
FIG. 3 is a left side elevation view of the design in the closed position;
FIG. 4 is a rear view of the design in the closed position;
FIG. 5 is a top view of the design in the closed position;
FIG. 6 is a bottom view of the design in the closed position;
FIG. 7 is a perspective view of the design in a first partially open position;
FIG. 8 is a perspective view of the design in a second partially open position;
FIG. 9 is a perspective view of the design in a third partially open position;
FIG. 10 is a perspective view of the design in a fourth partially open position;
FIG. 11 is a perspective view of the design in a fifth partially open position;
FIG. 12 is a perspective view of the design in a fully open position;
FIG. 13 is a top view of the design in the fully open position;
FIG. 14 is a right side view of the design in the fully open position;
FIG. 15 is a bottom view of the design in the fully open position;
FIG. 16 is a rear view of the design in the fully open position;
FIG. 17 is a front view of the design in the fully open position; and,
FIG. 18 is a second perspective view of the design in the fully open position.
The right side elevation view of the design in the closed position is a mirror image of FIG. 3. The left side view of the design in the fully open position is a mirror image of FIG. 14.

1 Claim, 8 Drawing Sheets



(58) **Field of Classification Search**

USPC D6/365, 366, 374, 375, 379, 380,
D6/559-561, 611, 632, 657, 662.1, 663,
D6/666, 668.1, 668.2, 669, 671, 671.1,
D6/672, 674, 675, 675.1, 675.3, 683,
D6/683.1, 685, 691, 691.5, 699, 702, 703,
D6/703.1, 708, 708.2, 708.21, 708.25,
D6/716, 716.1-716.4; D7/306, 333;
D12/402; D13/184; D15/79, 81, 127;
D18/35.1; D20/1, 3, 8; D23/286, 342,
D23/343; D24/227-230; D25/48.4, 113,
D25/163; D99/28

CPC A01K 15/025; A45C 11/16; A45C 13/02;
A47F 7/02; A47F 3/002; A47F 3/043;
A47F 5/08; A47G 1/02; A47G 1/12;
A47G 1/00; A47G 29/12; A47K 3/281;
B01D 3/148; B22F 3/1055; B42F 17/00;
B60N 2/60; B60N 2/2881; B60N 2/6018;
B60N 2/6036; E05B 53/001; E05C 3/042;
E05C 7/04; E05C 19/001; E05F 1/006;
E06B 3/7001; F25D 23/02; F25D
2400/18; G07F 3/06; G07F 9/023; G07F
9/00; G07F 9/10; G07F 11/00; G07F
11/005; G07F 11/16; G07F 11/42; G07F
11/46; G07F 11/58; G07F 13/06; G09B
25/00; G09F 1/12; H02B 1/013; H02B
1/014; H02B 1/308; H05K 9/0062; Y10S
292/21; Y10T 70/5097

See application file for complete search history.

(56) **References Cited**

U.S. PATENT DOCUMENTS

83,936 A 11/1868 Crosby
85,232 A 12/1868 Maynard
102,012 A 4/1870 Kelly
107,881 A 10/1870 Crosby
119,079 A 9/1871 Crosby
155,476 A 9/1874 Trevitt
156,986 A 11/1874 Crosby
179,013 A 6/1876 Green
RE8,270 E 6/1878 Main
219,342 A 9/1879 Boyington
220,173 A 9/1879 Rieckert
225,393 A 3/1880 Kendrick
230,397 A 7/1880 Boyington
239,805 A 4/1881 Knapp
253,903 A 2/1882 Witmer
261,006 A 7/1882 Logan
261,053 A 7/1882 Shupe
262,817 A 8/1882 Morrison
391,424 A 10/1888 Poulson
417,108 A 12/1889 Snyder
431,825 A 7/1890 Sundback
433,845 A 8/1890 Argerbright
445,629 A 2/1891 Osgood
476,923 A 6/1892 Hayton et al.
504,778 A 9/1893 Flory
510,084 A 12/1893 Odegaard et al.
547,170 A 10/1895 Karp
637,670 A 11/1899 Sanor
673,536 A 5/1901 Hamilton
756,162 A 3/1904 Faschian
791,857 A 6/1905 Arnold
915,651 A 3/1909 Appel
939,482 A 11/1909 Douglass
1,073,674 A 9/1913 Giordano
1,087,679 A 2/1914 Page
D45,708 S 5/1914 Giordano
1,121,636 A 12/1914 Kreczkowski
1,186,202 A 6/1916 Jasinski
1,253,872 A 1/1918 Page

1,331,599 A 2/1920 Vohralik
1,338,741 A 5/1920 Lipshitz
1,359,337 A * 11/1920 Culbertson A47C 17/46
5/131

1,368,101 A 2/1921 Bettegar
1,409,770 A 3/1922 Piatkowski
1,413,595 A 4/1922 Kreuzkamp
1,558,012 A 10/1925 Henry
1,618,642 A 2/1927 Diamond
1,795,697 A 3/1931 Abela
D87,772 S * 9/1932 Wolters D99/28
D100,204 S * 6/1936 Coordes D23/286
D100,205 S * 6/1936 Coordes D23/286
D109,999 S * 6/1938 Frasher D23/342
D114,444 S * 4/1939 Fay D6/671.1
D120,337 S * 5/1940 Culbertson D99/28
2,313,847 A 3/1943 Thomas
2,356,321 A 8/1944 Irick
2,462,524 A 2/1949 Mattedi
D159,608 S 8/1950 Godschalk
2,547,863 A 4/1951 Godschalk
2,618,789 A 11/1952 Kane
2,788,528 A * 4/1957 Hansen A47C 17/48
5/149

2,835,904 A 5/1958 Von Ehr
2,856,612 A 10/1958 Wheeler
3,097,369 A 7/1963 Emch
3,224,015 A 12/1965 Schneider
D206,033 S * 10/1966 Koch D99/28
3,317,261 A * 5/1967 Peterson A47B 95/002
312/242

3,638,249 A 2/1972 Katsigarakis
3,755,832 A 9/1973 Bennett
3,828,375 A 8/1974 Driver
3,852,837 A 12/1974 Eakins
3,858,253 A 1/1975 Lauzon
3,965,498 A 6/1976 Boni
4,090,755 A * 5/1978 Johnson A47B 47/02
312/140

D280,156 S * 8/1985 Allen D6/555
4,793,011 A 12/1988 Eve
D306,669 S * 3/1990 Otema D6/661
4,999,865 A 3/1991 Sauder et al.
5,353,452 A * 10/1994 Rulis A47C 17/40
5/136

5,446,932 A 9/1995 Voorhis
D369,247 S 4/1996 Anderson
5,601,348 A 2/1997 Minkovski
5,611,414 A 3/1997 Walker
D388,632 S 1/1998 Kelley
5,913,769 A 6/1999 Byma et al.
6,224,176 B1 * 5/2001 Suzuki A47B 67/04
312/278

D443,997 S * 6/2001 Stout D6/384
6,425,151 B2 7/2002 Barnett
D470,335 S * 2/2003 Brooks D6/671.1
6,851,139 B2 2/2005 Arason et al.
D508,796 S 8/2005 Juneau
7,013,506 B2 3/2006 Revels
7,044,178 B1 * 5/2006 Campbell B25H 1/12
144/285

D530,938 S 10/2006 Netto et al.
D543,724 S * 6/2007 Baade D23/286
D543,725 S * 6/2007 Baade D23/286
D549,501 S * 8/2007 Gaska D6/703.3
7,425,045 B2 9/2008 Harari et al.
7,574,758 B2 8/2009 Arason et al.
D608,560 S 1/2010 Chen
7,793,366 B2 9/2010 Stoltzfus
8,407,830 B1 4/2013 Kumar
8,566,980 B2 10/2013 Grone
8,572,776 B2 11/2013 Grubb
D712,676 S 9/2014 Flora
D712,686 S * 9/2014 Day D6/663
D731,037 S * 6/2015 Ouyang D23/286
D742,136 S 11/2015 Flora
D760,518 S * 7/2016 Shah D6/703
D763,604 S * 8/2016 Weatherly D6/671.1
9,468,305 B2 * 10/2016 Flora A47C 17/58

(56)

References Cited

U.S. PATENT DOCUMENTS

2004/0017135 A1 * 1/2004 Roberts A47B 13/086
312/140.3
2006/0107456 A1 5/2006 Joseph
2006/0230530 A1 10/2006 Avishay

* cited by examiner

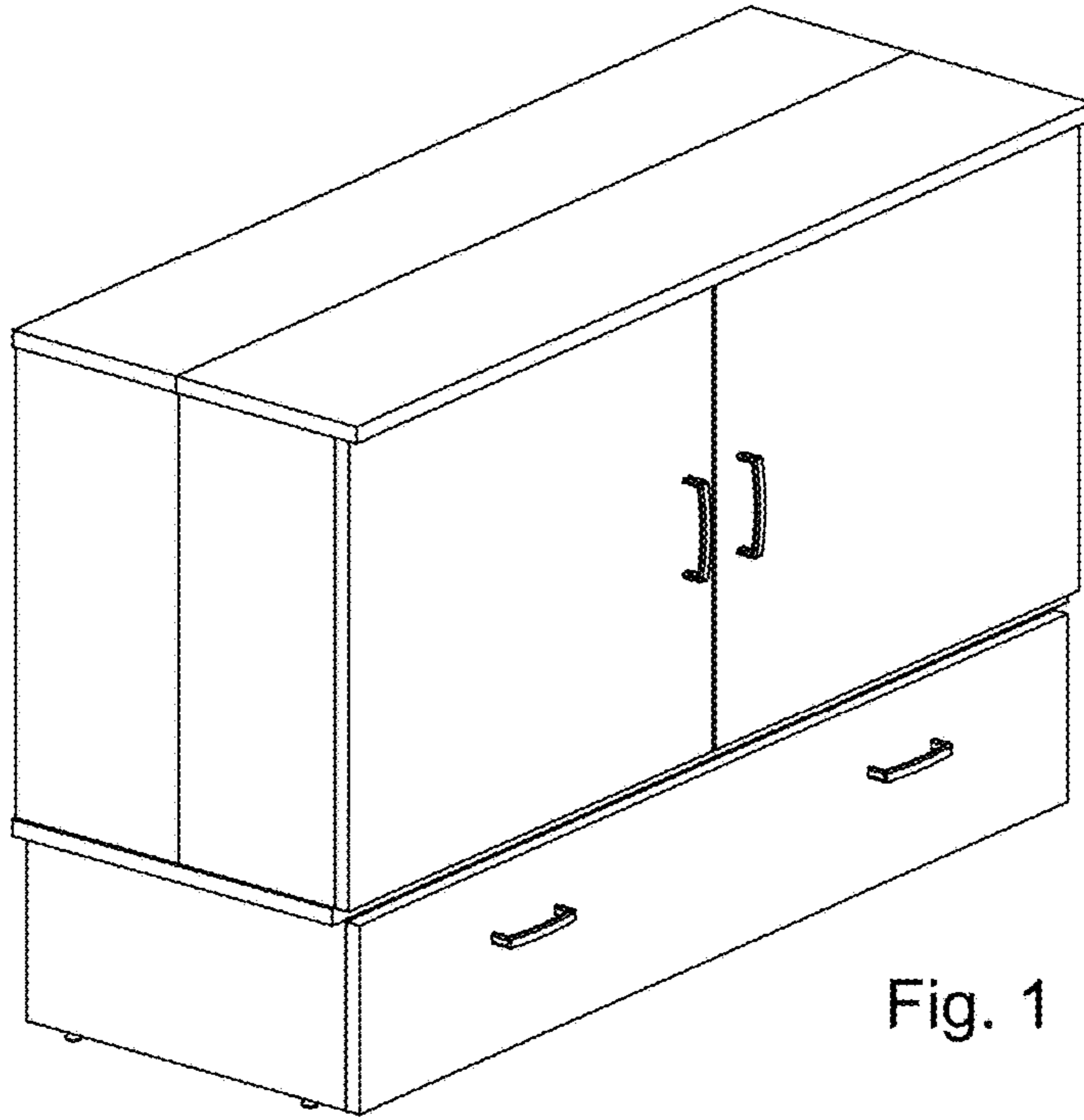


Fig. 1

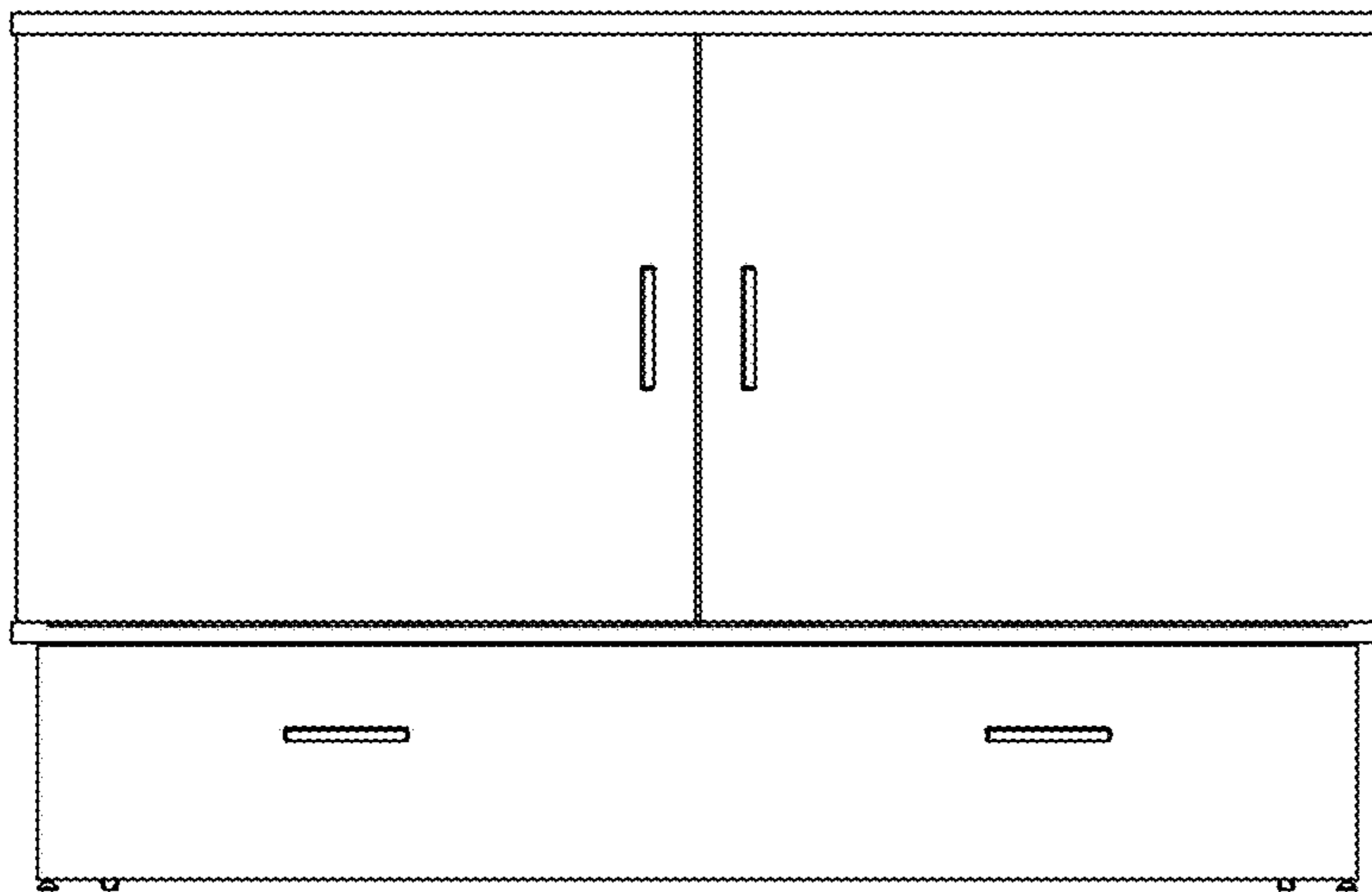


Fig. 2

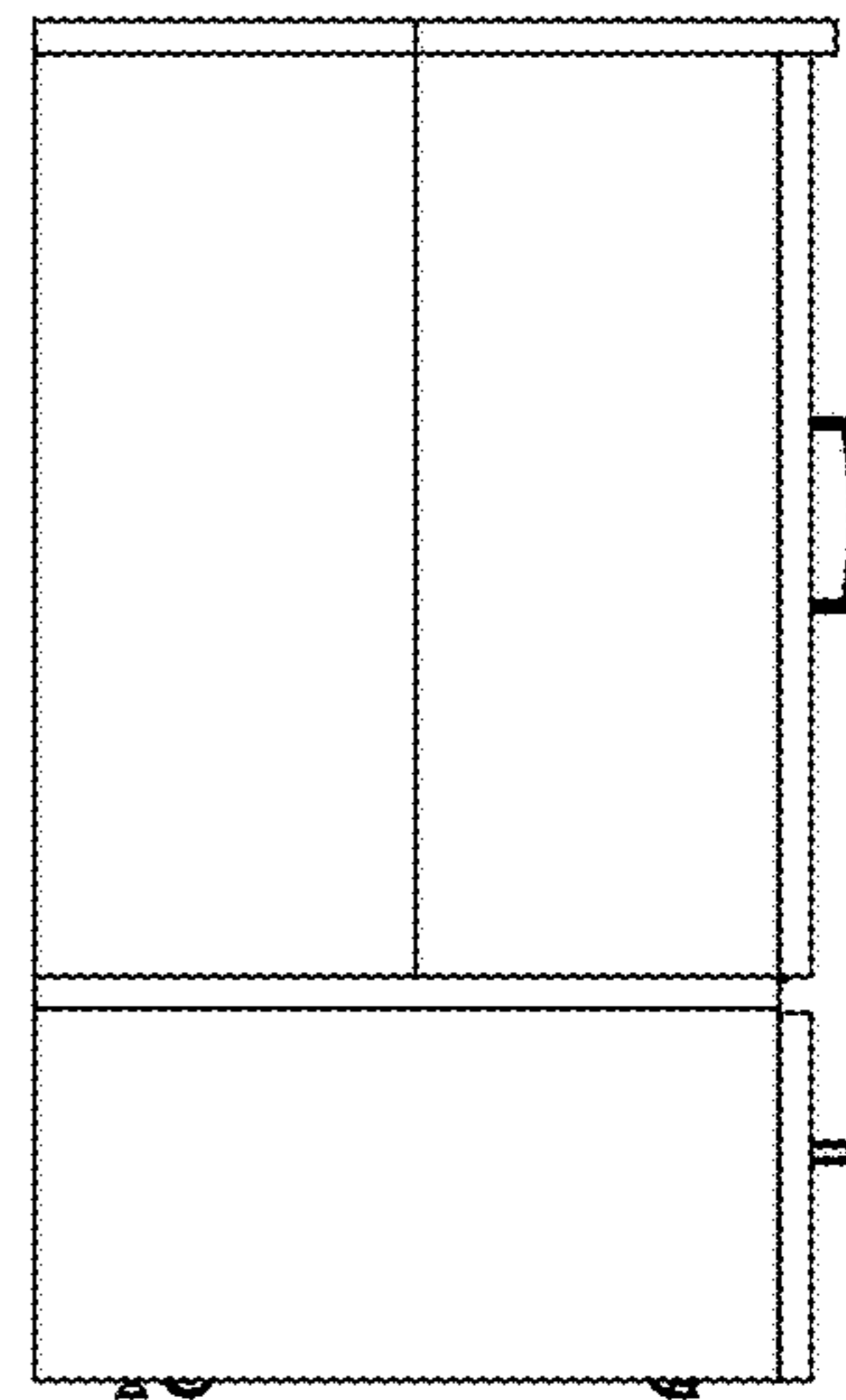


Fig. 3

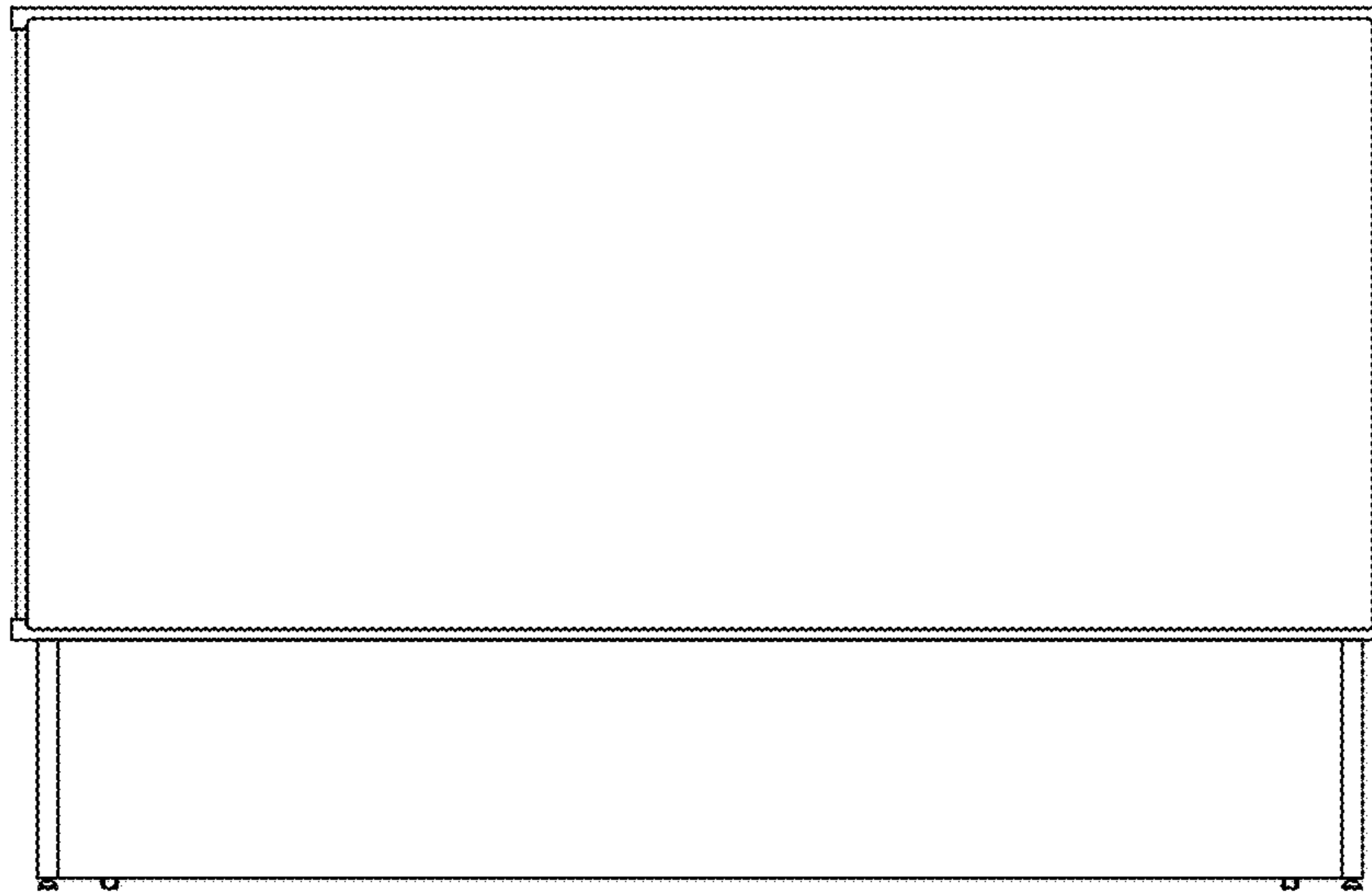


Fig. 4

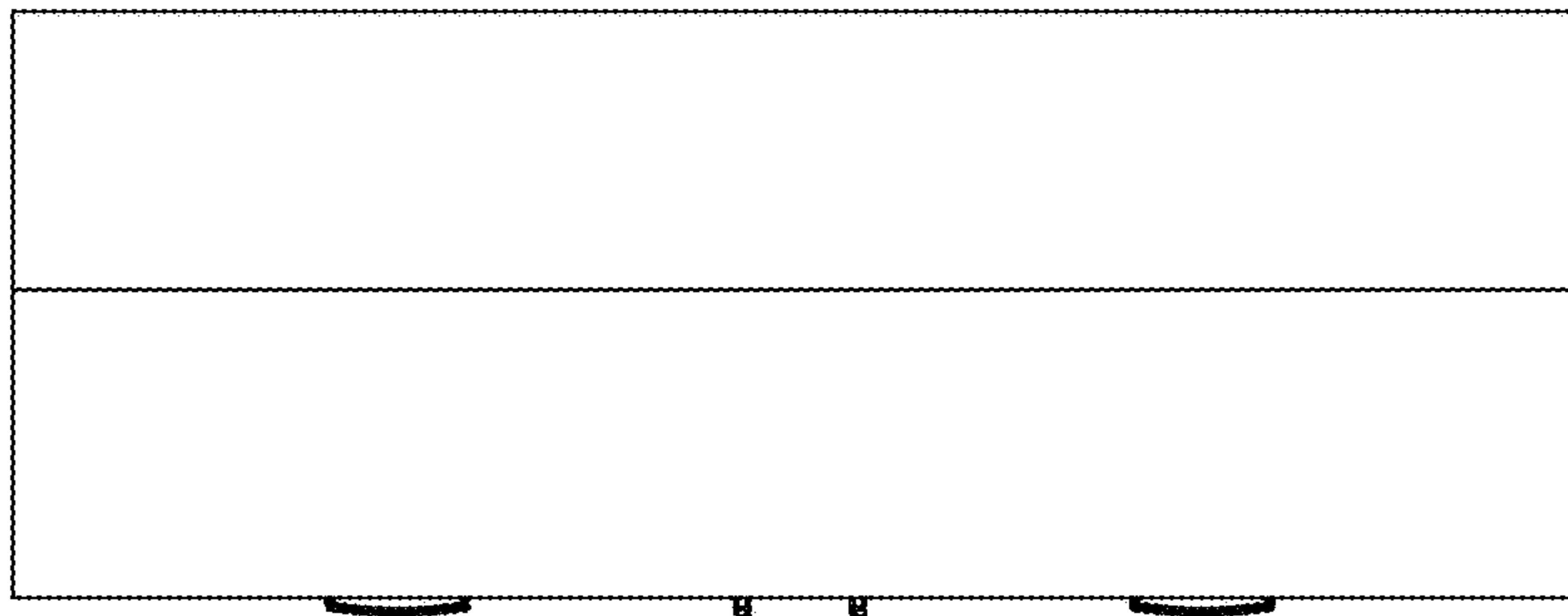


Fig. 5

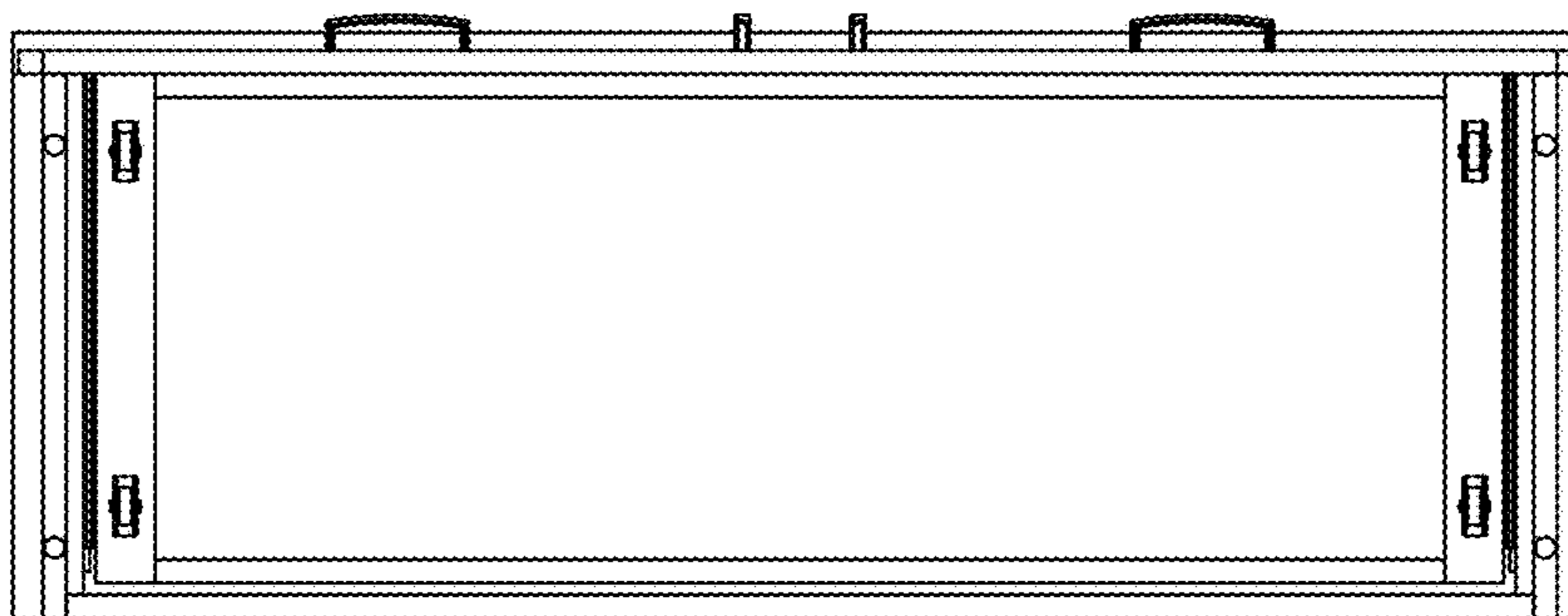


Fig. 6

Fig. 7

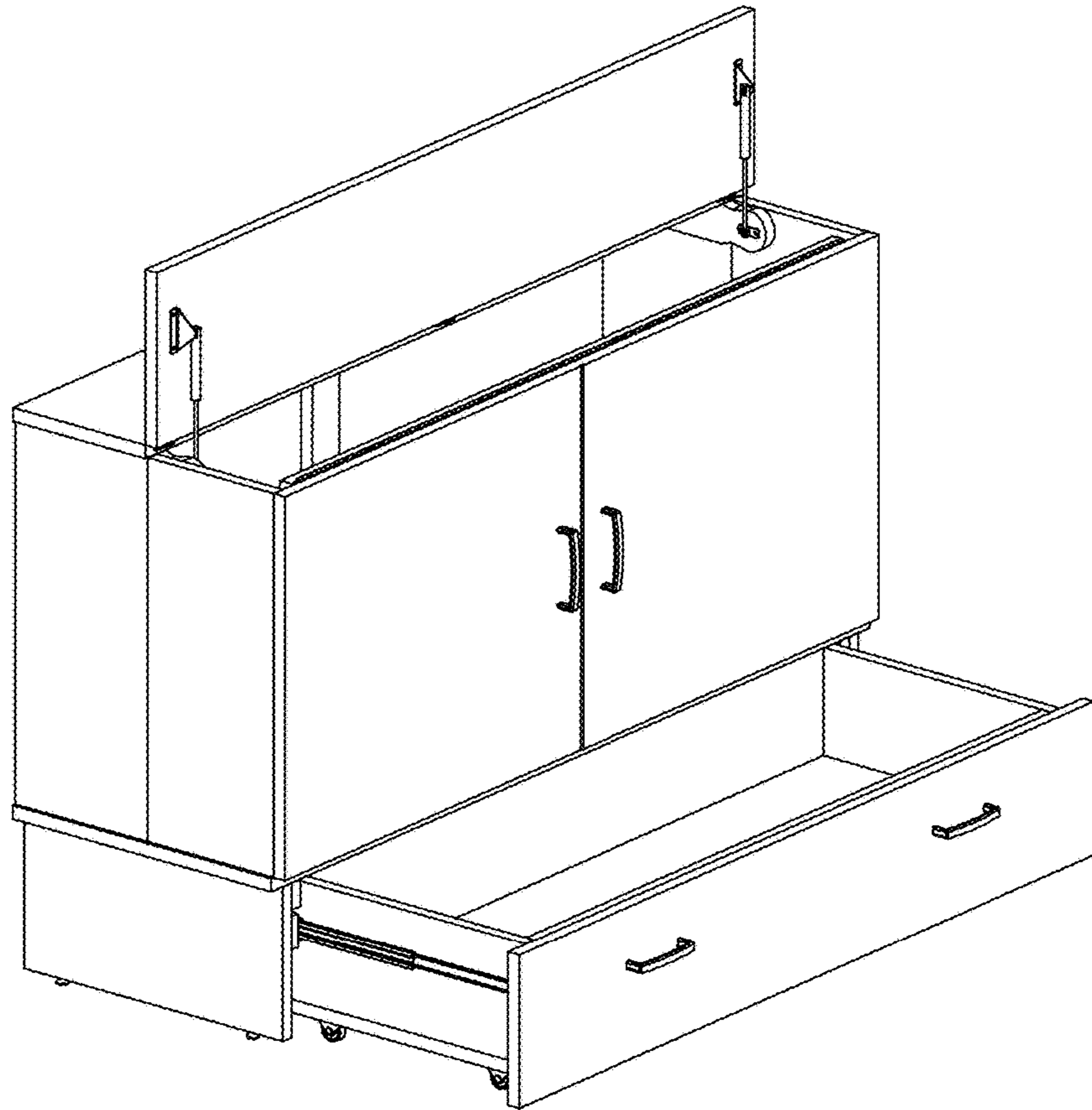
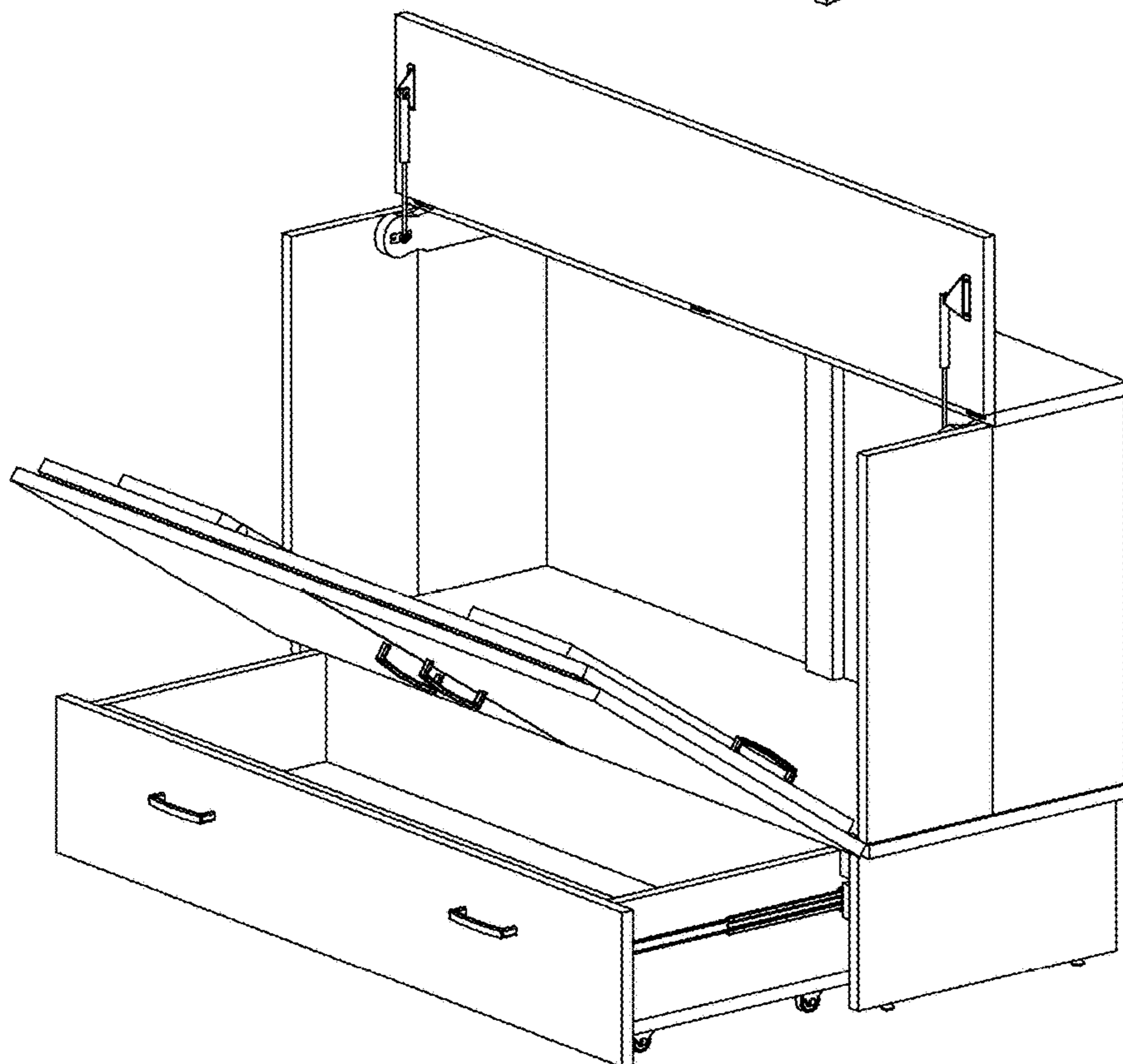
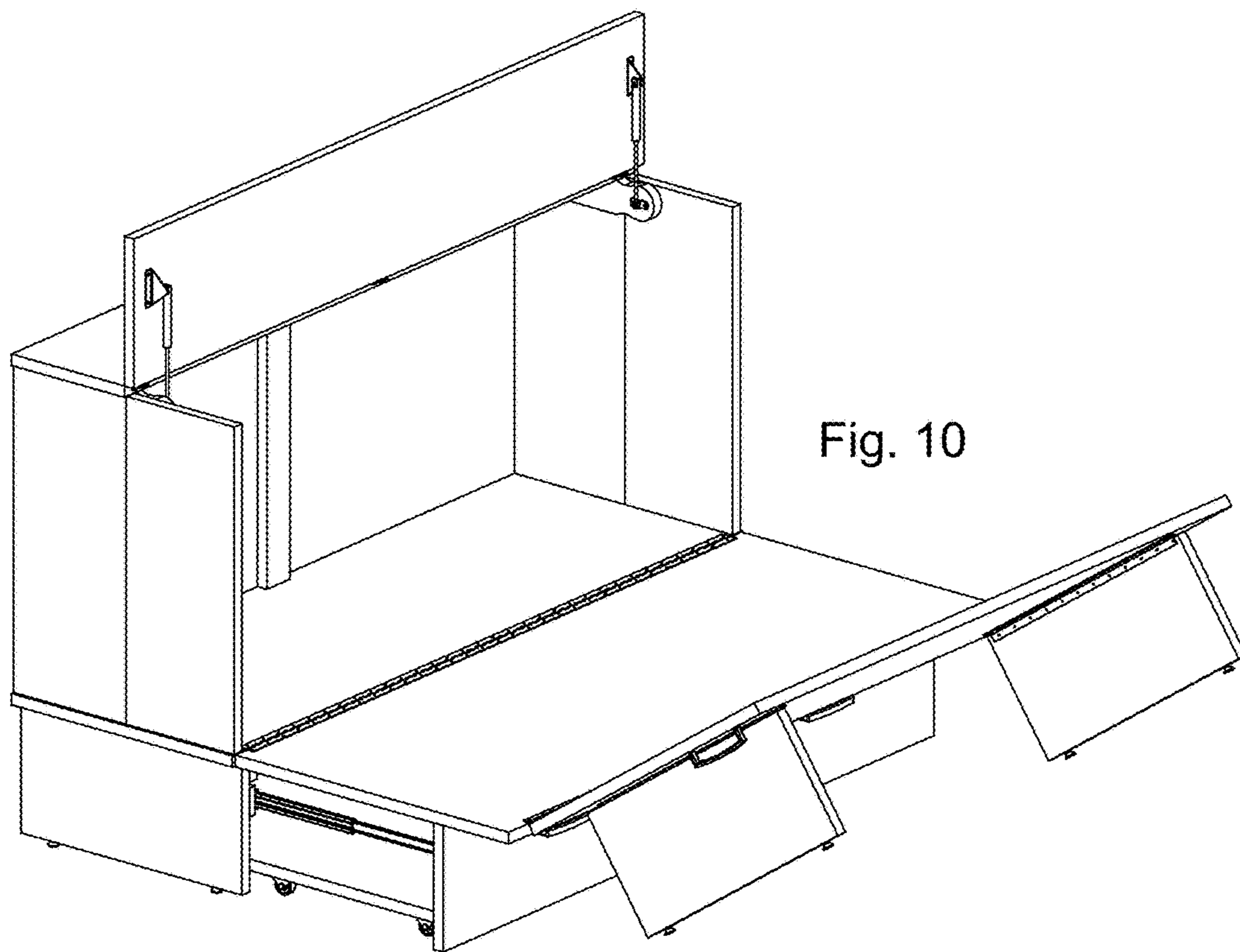
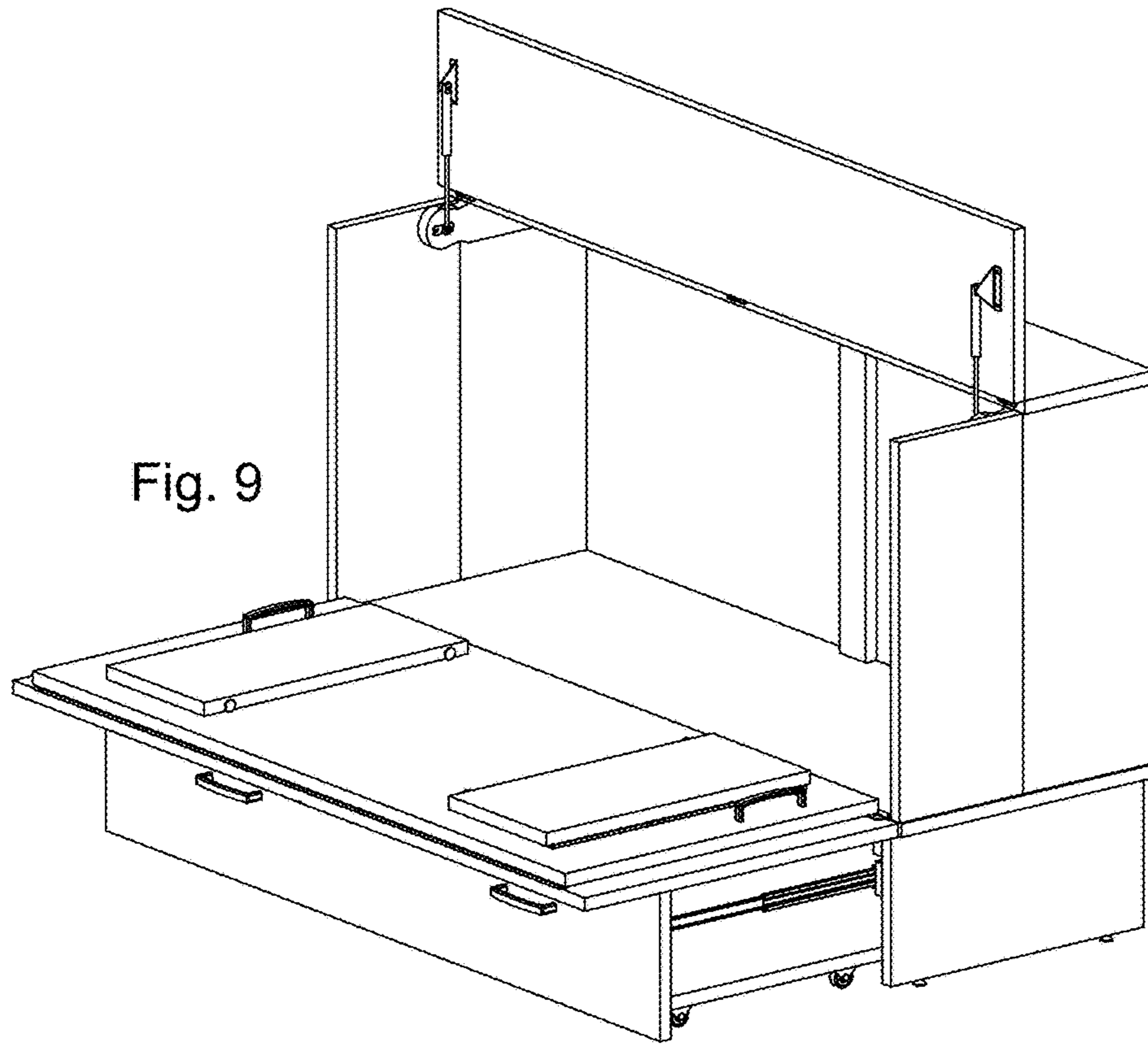
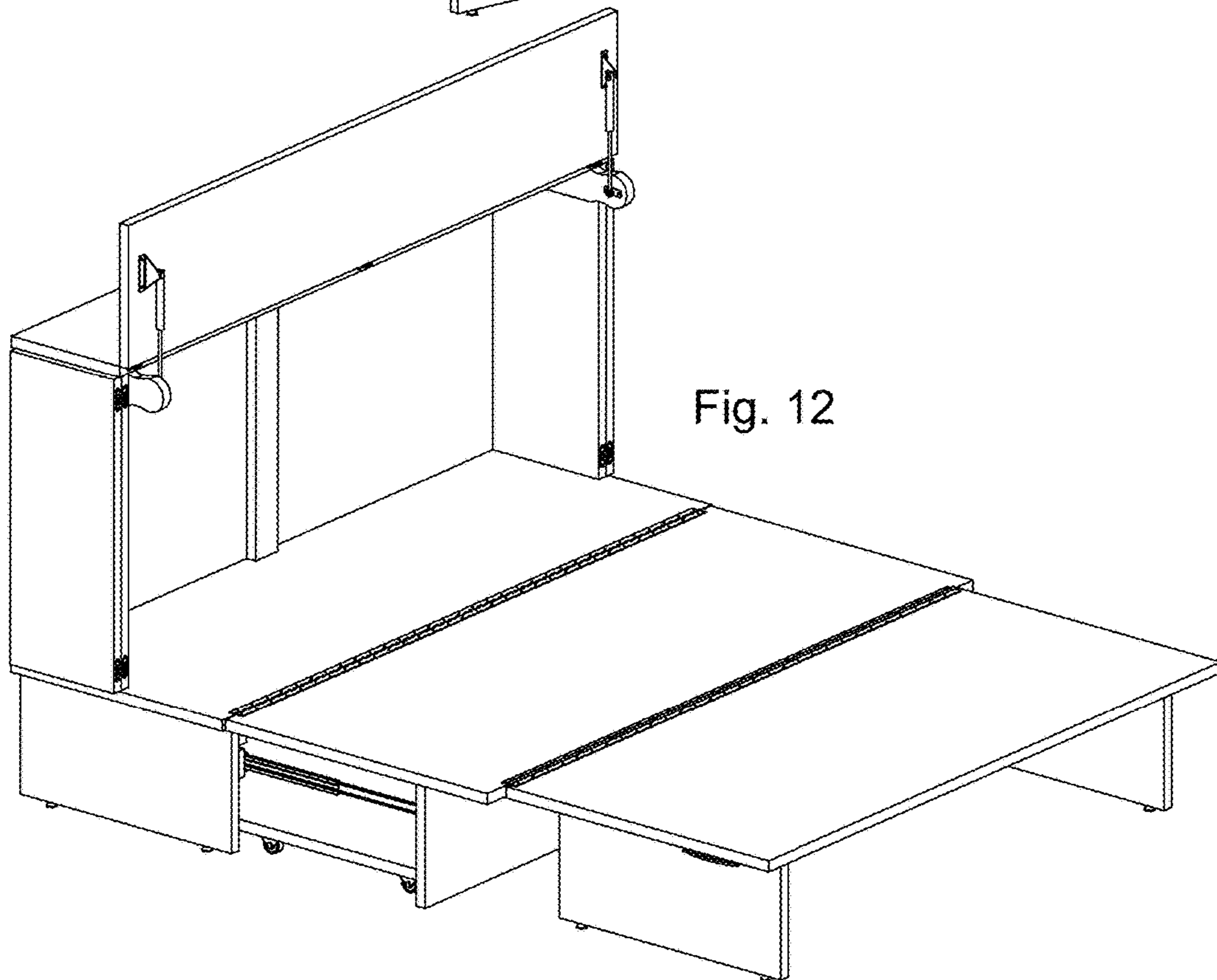
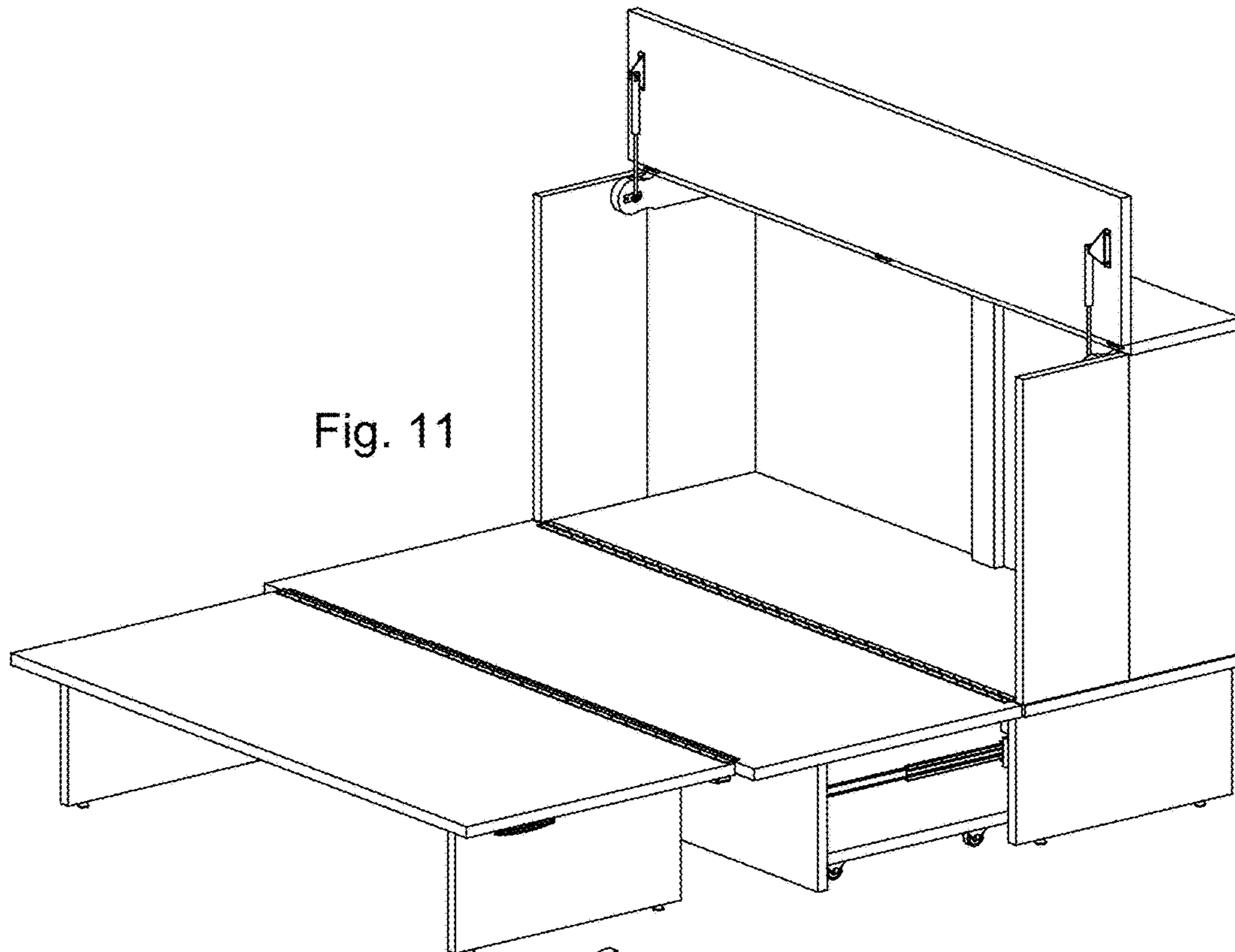


Fig. 8







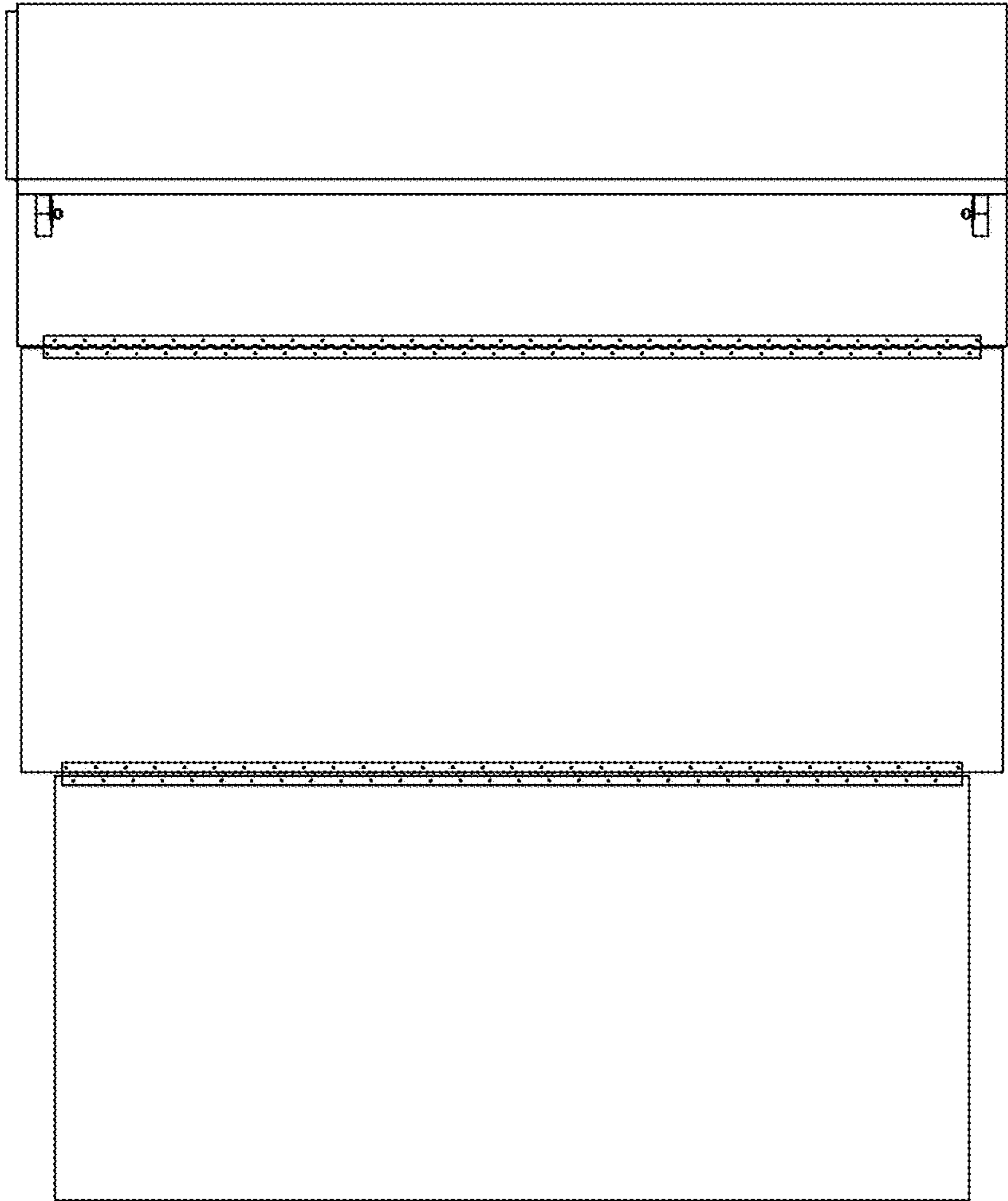


Fig. 13

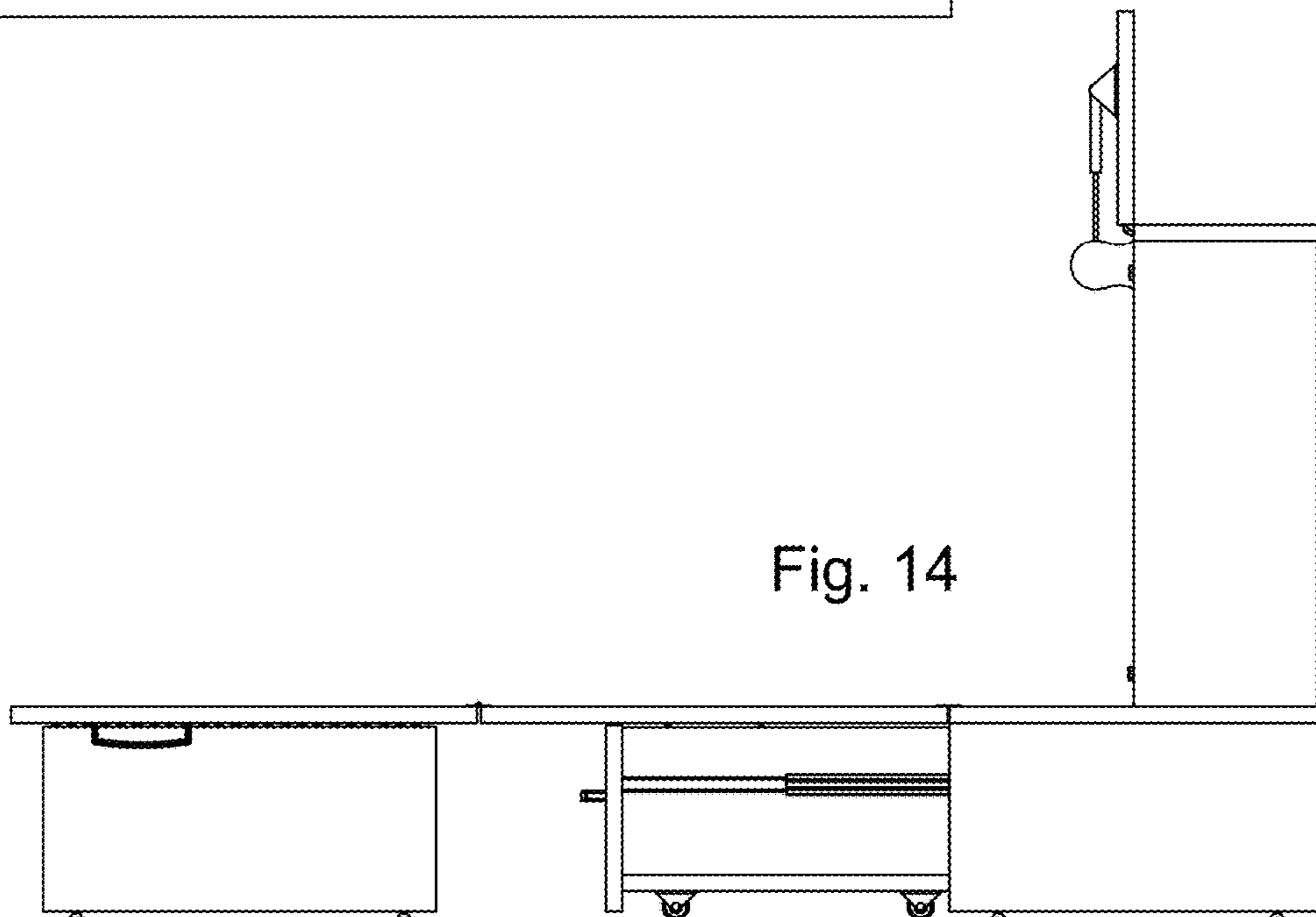


Fig. 14

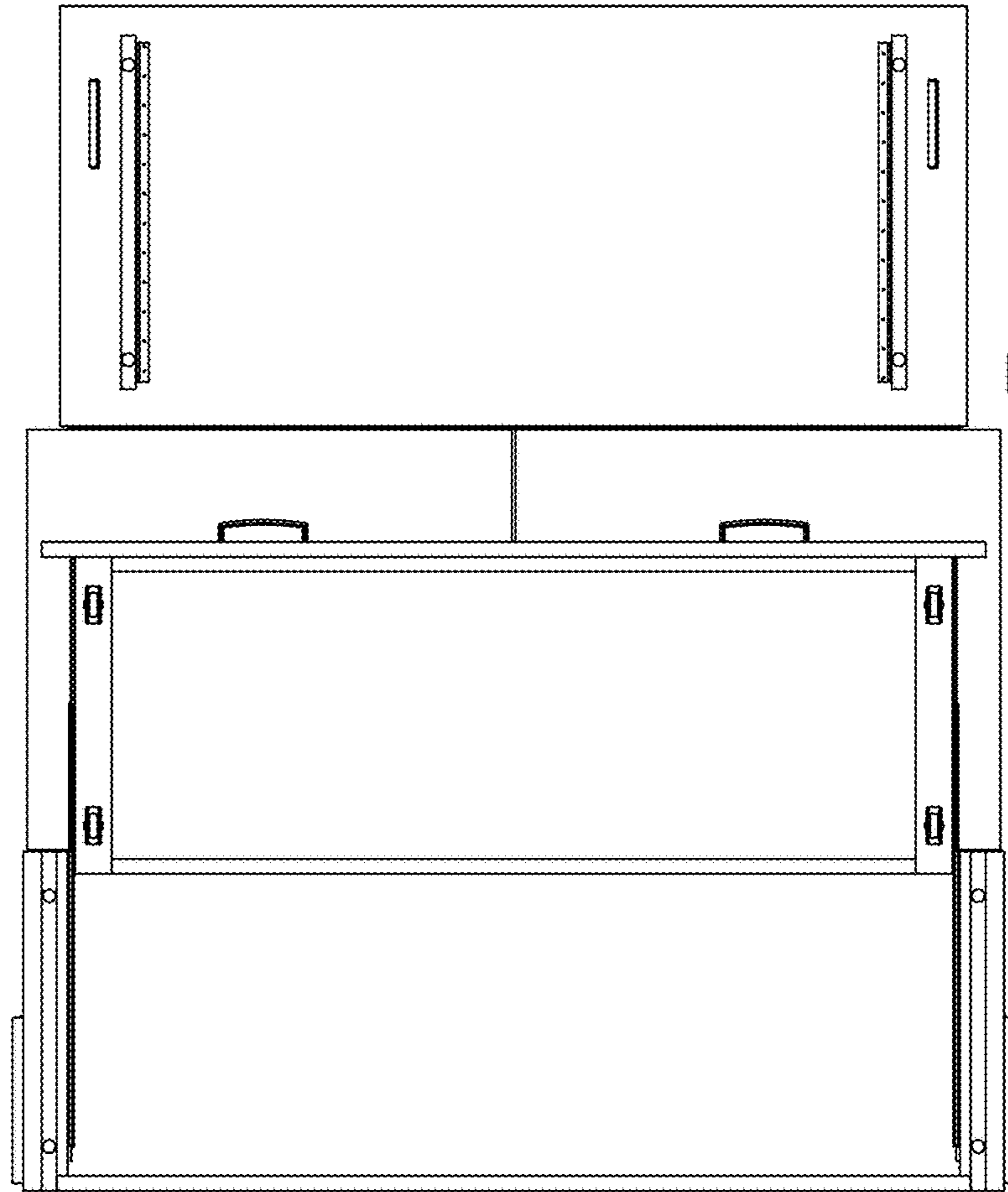
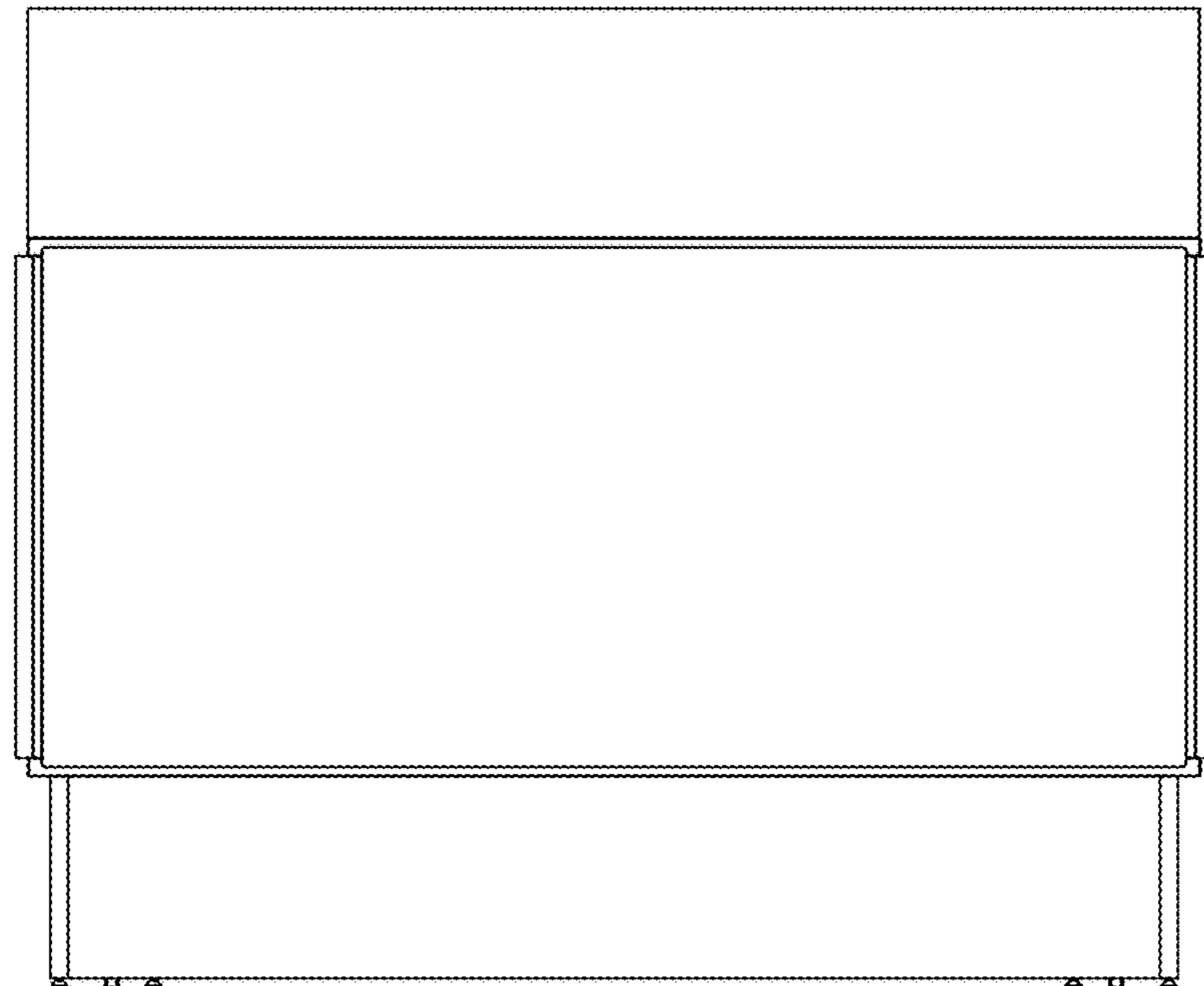


Fig. 16



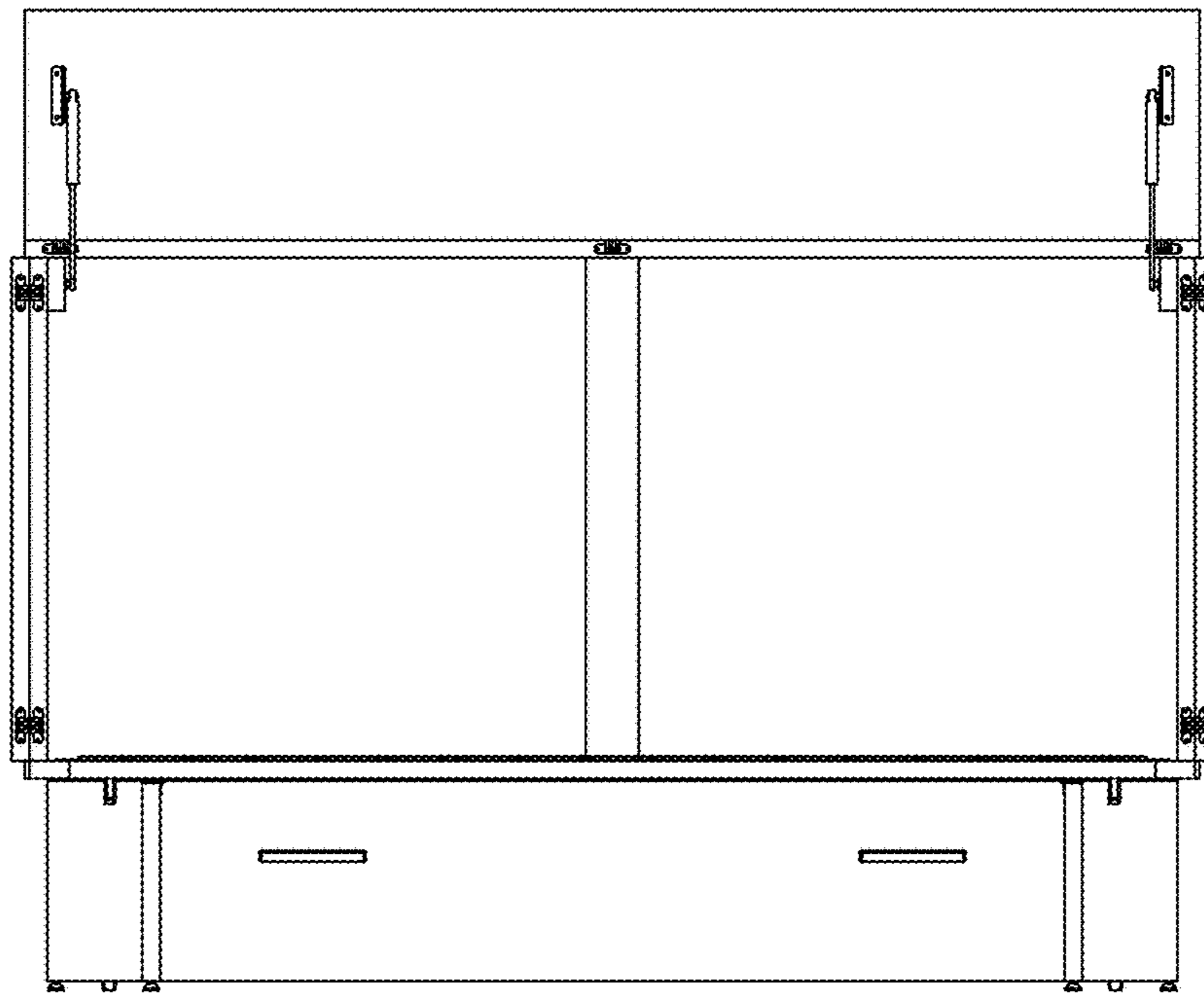


Fig. 17

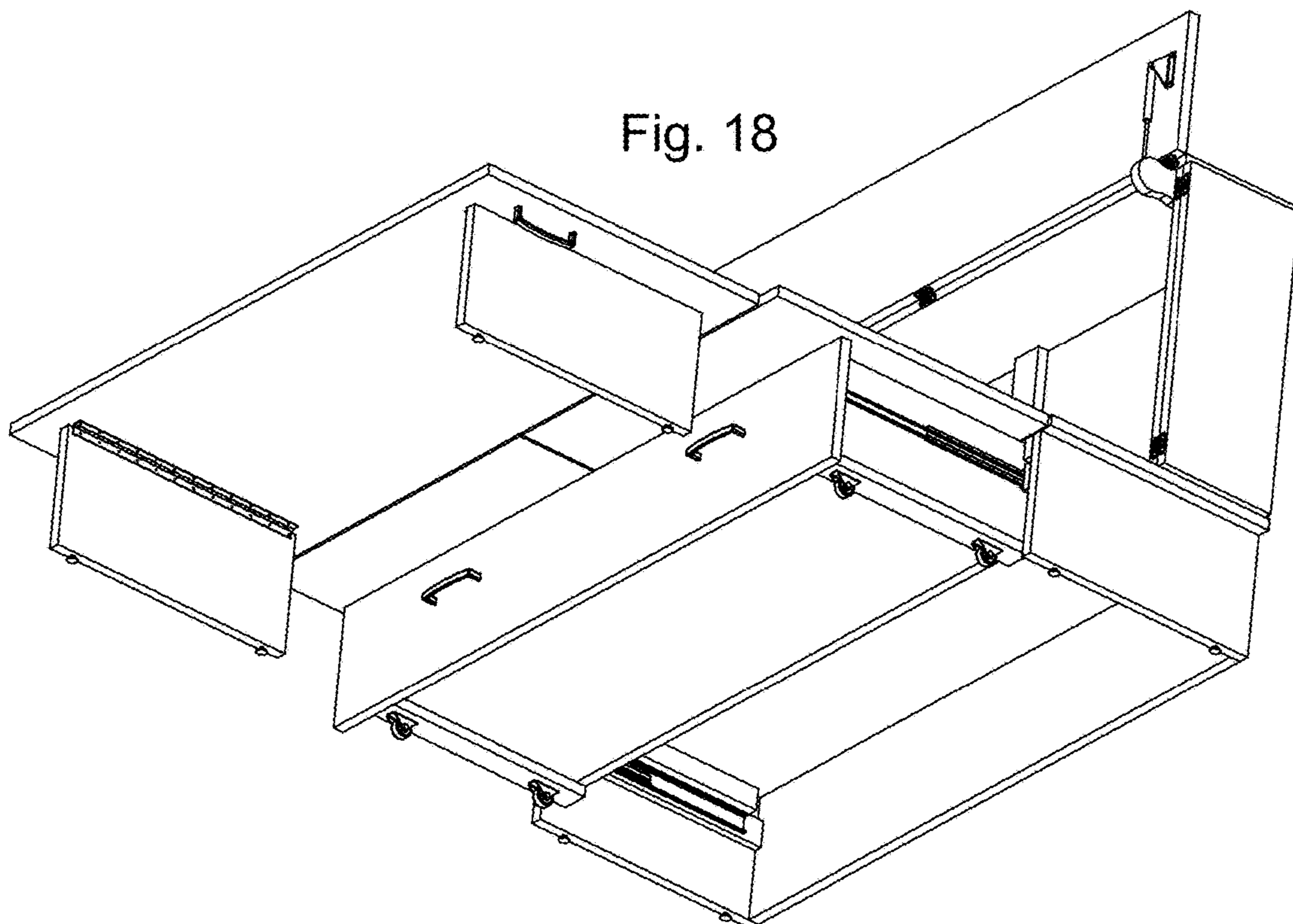


Fig. 18