



US00D814829S

(12) **United States Design Patent**
Davis et al.

(10) **Patent No.:** **US D814,829 S**
(45) **Date of Patent:** **** Apr. 10, 2018**

(54) **DESK**

(71) Applicant: **WALKER EDISON FURNITURE COMPANY, LLC**, Salt Lake City, UT (US)

(72) Inventors: **Matthew Davis**, Murray, UT (US);
Brad Bonham, Draper, UT (US)

(73) Assignee: **Walker Edison Furniture Company, LLC**, Salt Lake City, UT (US)

(**) Term: **15 Years**

(21) Appl. No.: **29/591,827**

(22) Filed: **Jan. 24, 2017**

(51) **LOC (11) Cl.** **06-03**

(52) **U.S. Cl.**
USPC **D6/651**

(58) **Field of Classification Search**
USPC D6/651, 663, 671, 677, 687, 690, 691, D6/691.1, 691.2, 691.3, 691.4, 691.5, D6/693, 689, 691.9, 695, 695.2
See application file for complete search history.

(56) **References Cited**

U.S. PATENT DOCUMENTS

D234,735 S *	4/1975	Podell	D6/691.5
D332,364 S *	1/1993	Bennett	D6/691
7,516,708 B2 *	4/2009	Willy	A47B 3/06 108/153.1
D689,305 S *	9/2013	Mari	D6/656
D729,556 S *	5/2015	Sampietro	D6/691
D732,852 S *	6/2015	Park	D6/656

D739,670 S *	9/2015	Pedersen	D6/691.1
D747,122 S *	1/2016	Chang	D6/656.16
D757,470 S *	5/2016	Pedersen	D6/686
D772,620 S *	11/2016	Dahlstrom	D6/691
D775,875 S *	1/2017	Gaschy	D6/691
D784,740 S *	4/2017	Chipperfield	D6/337
D784,744 S *	4/2017	Burden	D6/691
D800,461 S *	10/2017	Chipperfield	D6/349
2013/0139737 A1 *	6/2013	Kleinklaus	A47B 3/087 108/166
2014/0225401 A1 *	8/2014	Nellenbach	A47B 3/14 297/158.4
2016/0135585 A1 *	5/2016	Garza	A47B 3/14 297/158.4

* cited by examiner

Primary Examiner — Mary Ann Calabrese

Assistant Examiner — Rebecca S Rozin

(74) *Attorney, Agent, or Firm* — Workman Nydegger

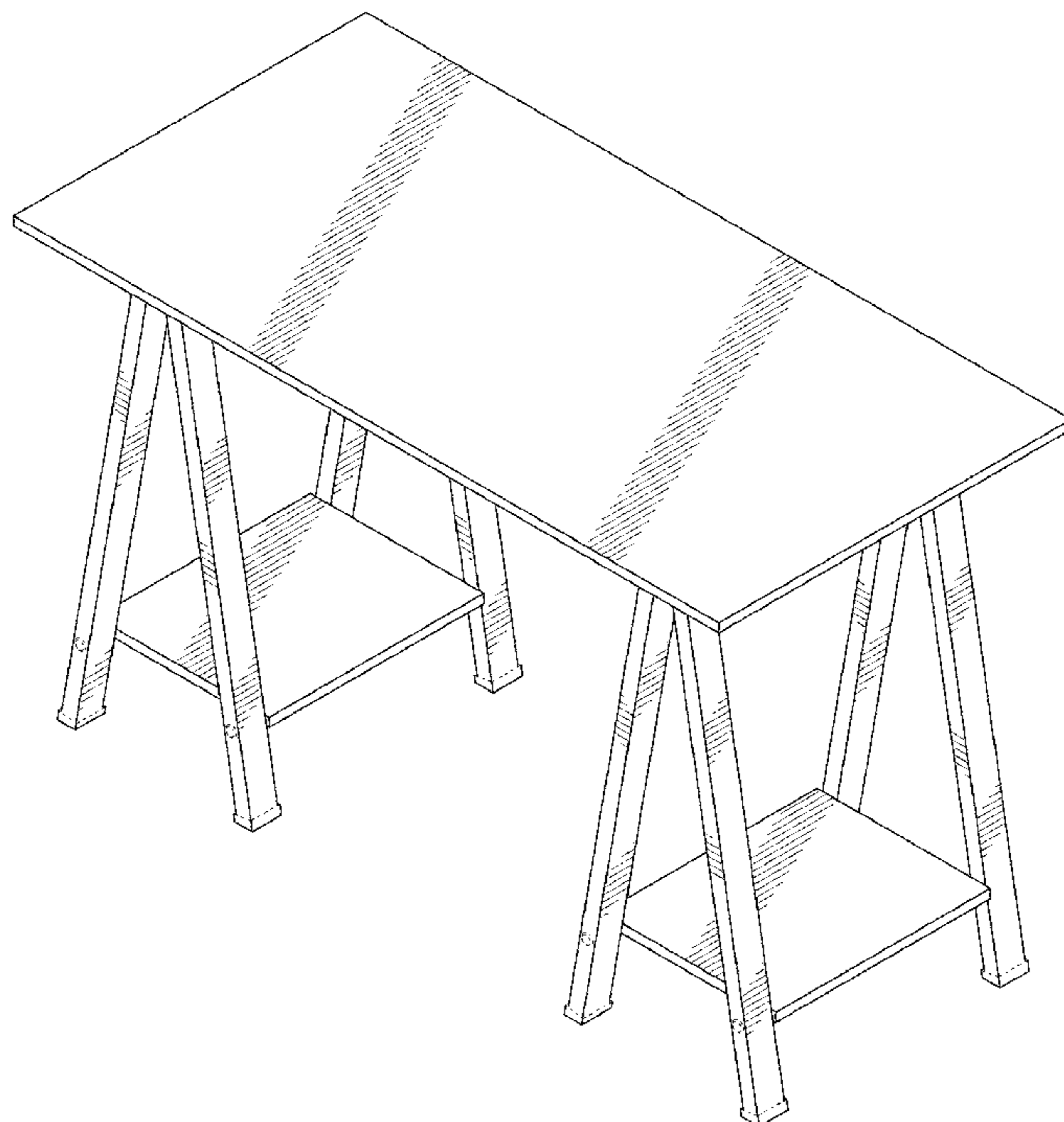
(57) **CLAIM**

The ornamental design for a desk, as shown and described.

DESCRIPTION

FIG. 1 is a front perspective view of a desk;
FIG. 2 is a front elevation view thereof;
FIG. 3 is a back elevation view thereof;
FIG. 4 is a top plan view thereof;
FIG. 5 is a bottom plan view thereof;
FIG. 6 is a right elevation view thereof; and,
FIG. 7 is a left elevation view thereof.
The dash-dash broken line showing of elements on the desk illustrates portions of the article and form no part of the claimed design.

1 Claim, 4 Drawing Sheets



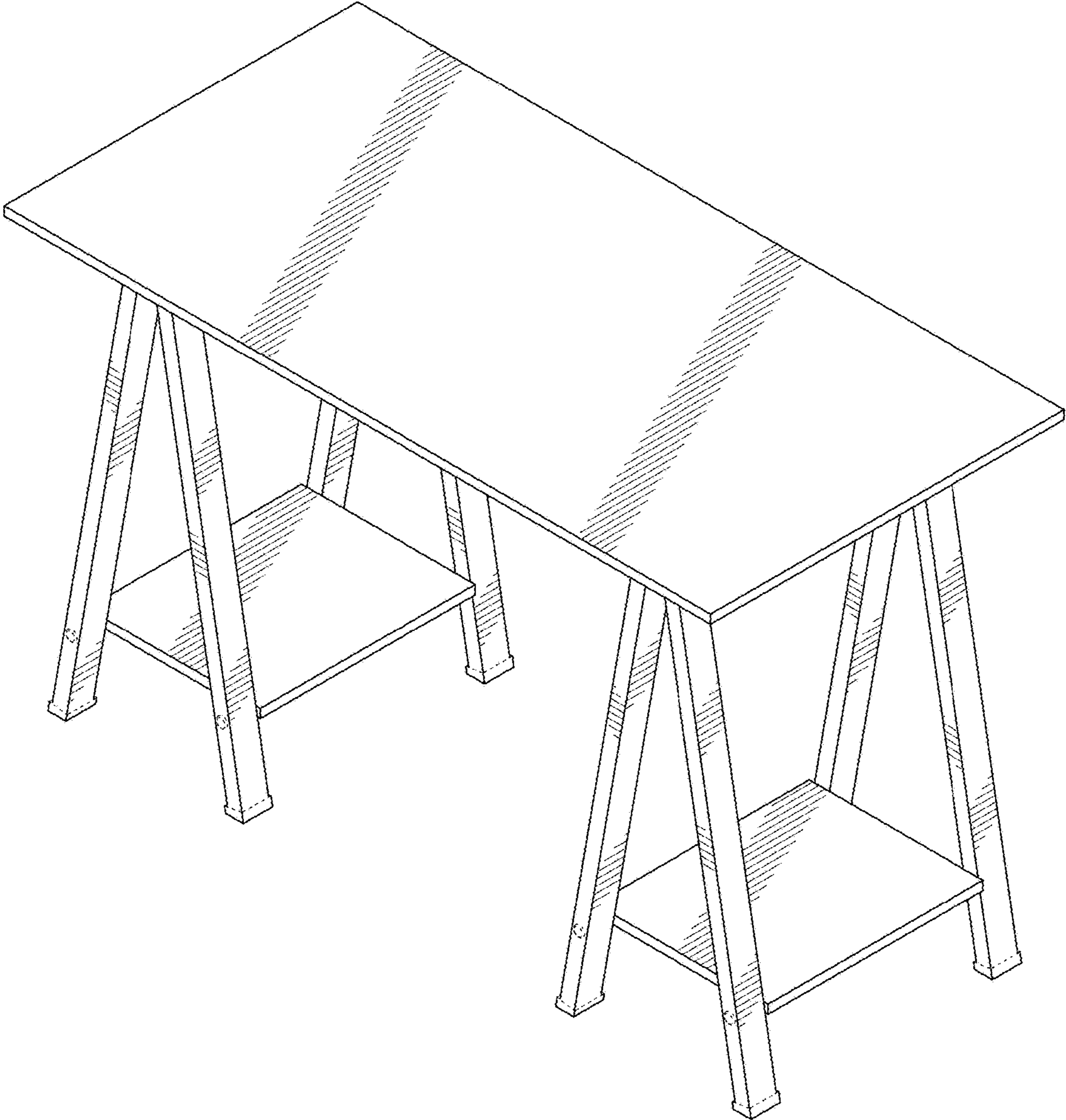


FIG. 1

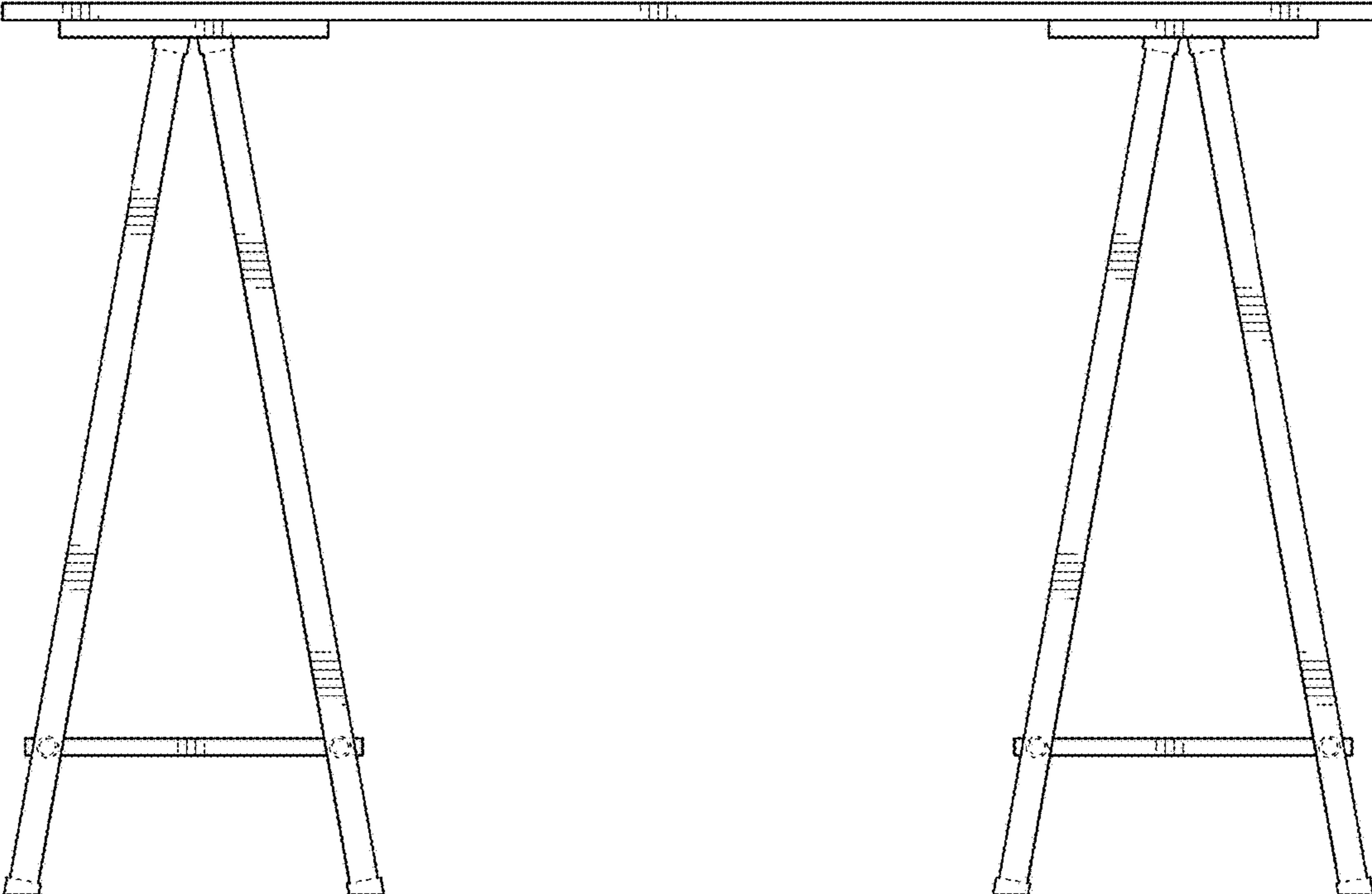


FIG. 2

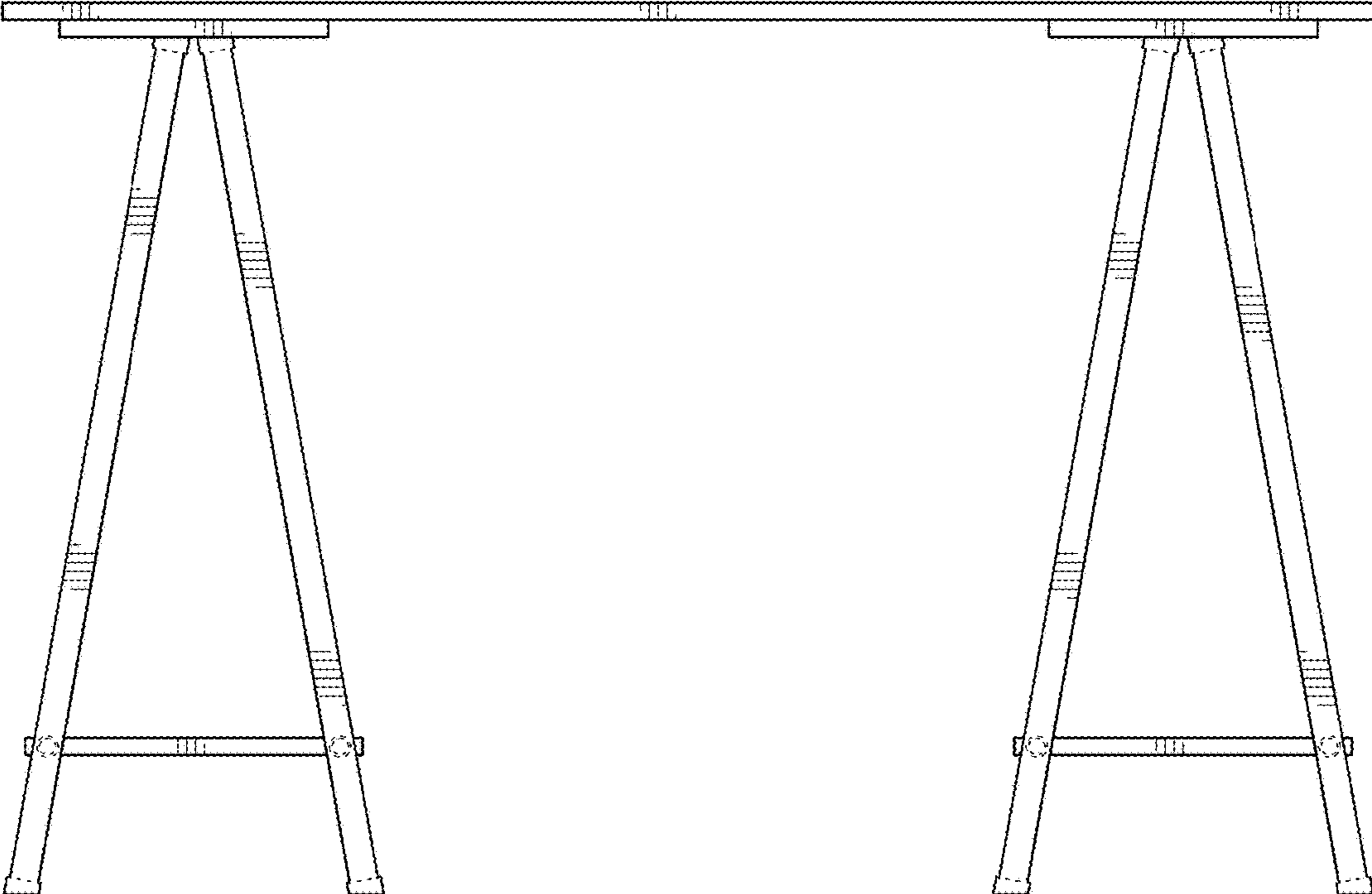


FIG. 3

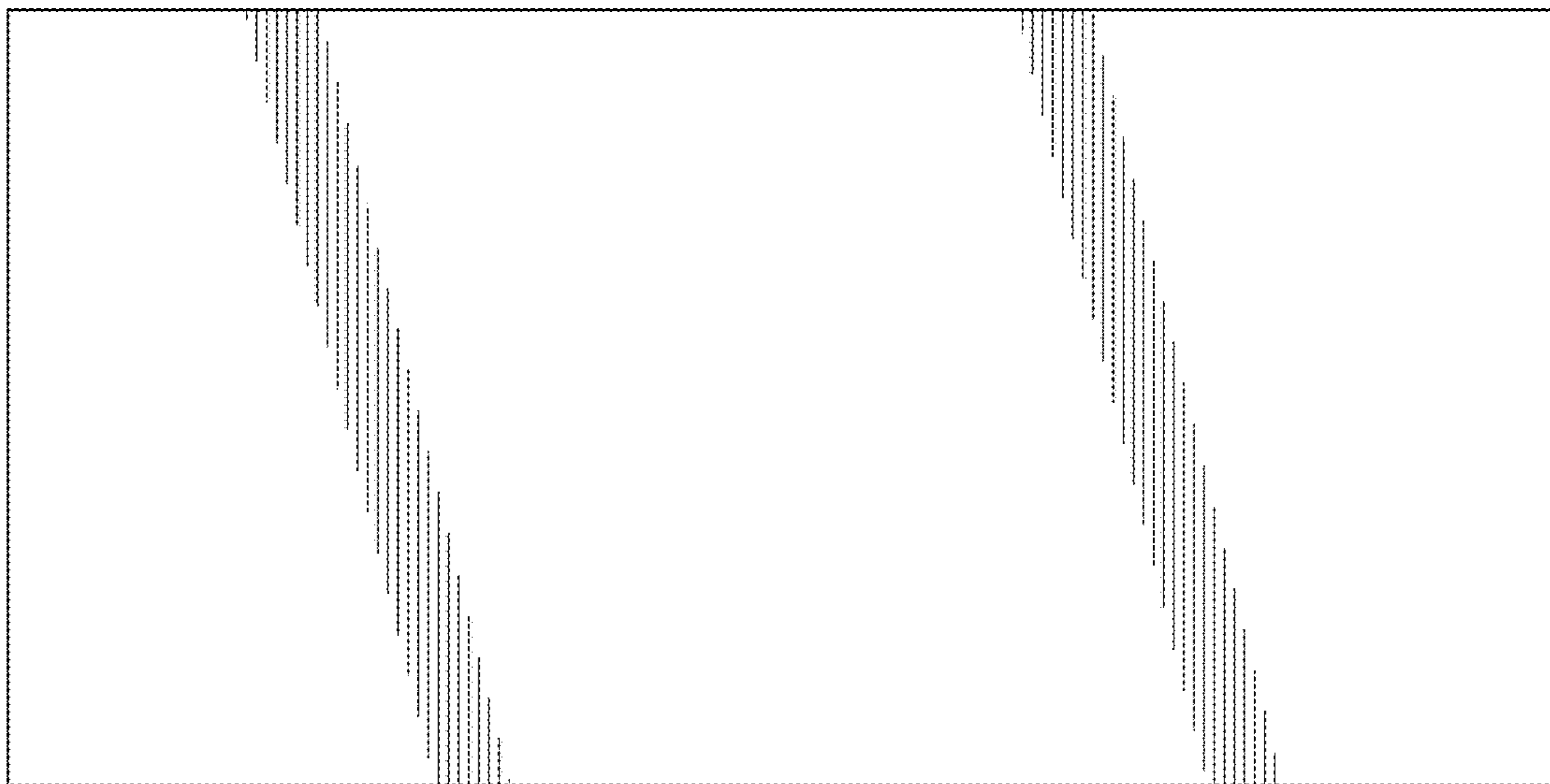


FIG. 4

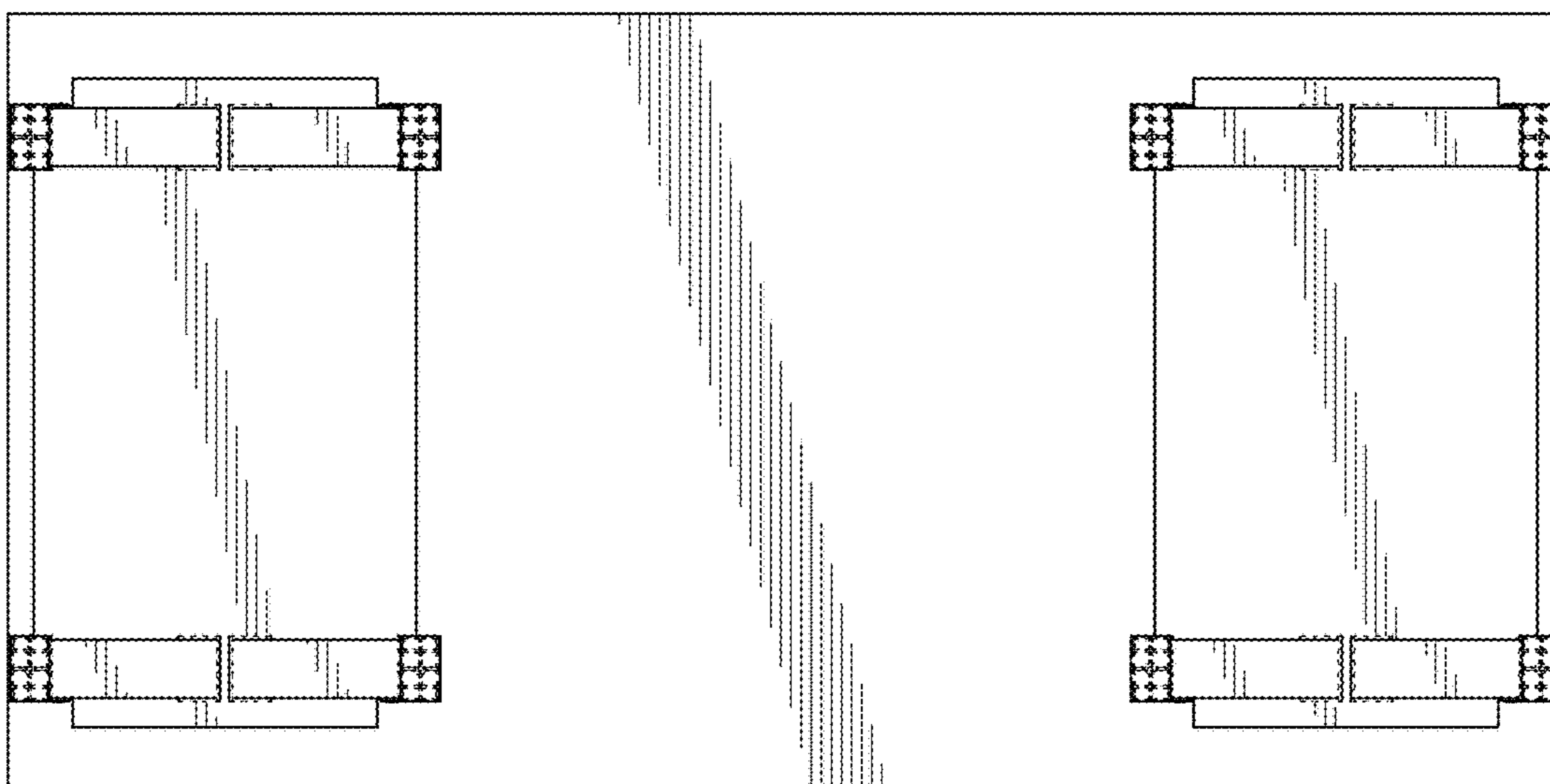


FIG. 5

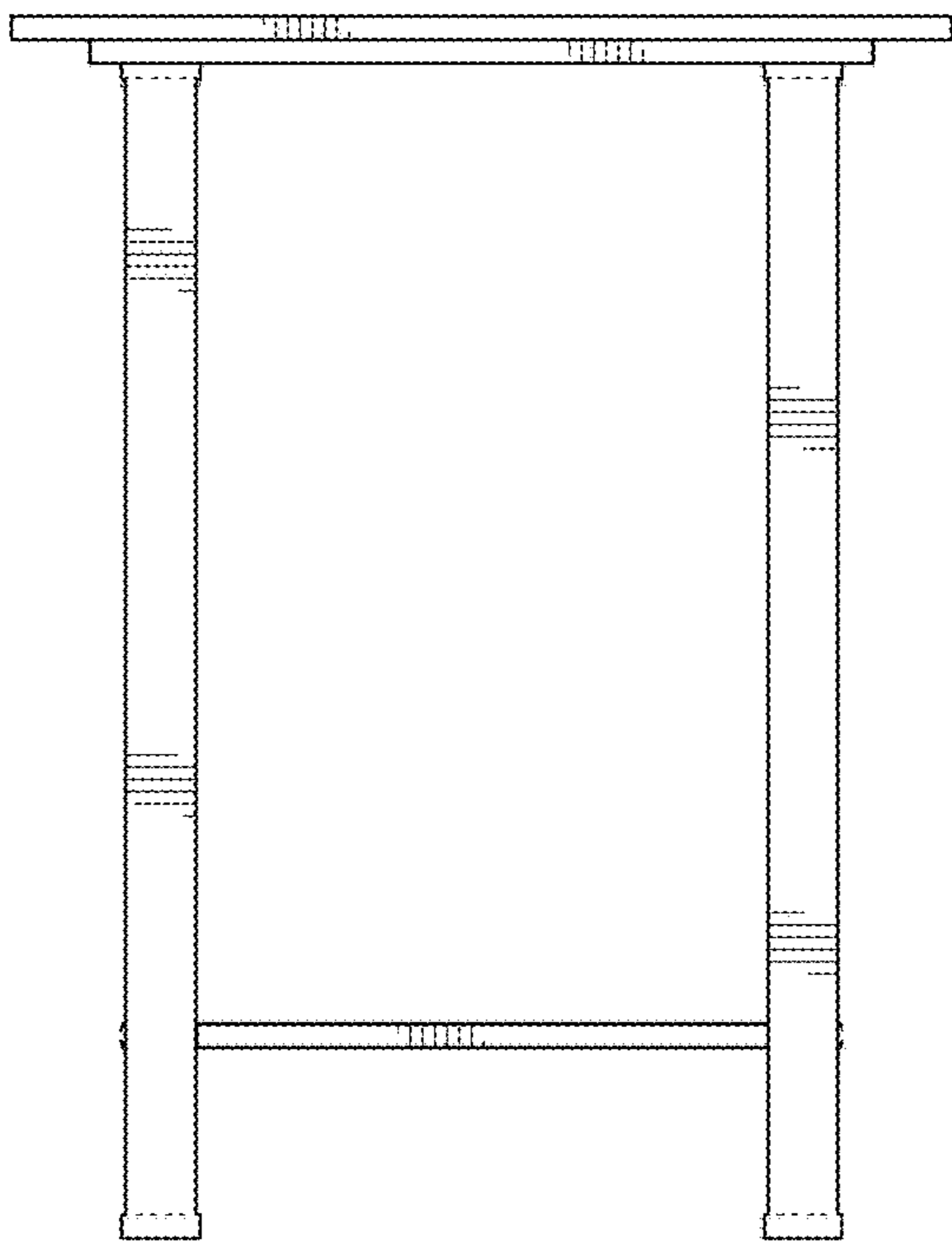


FIG. 6

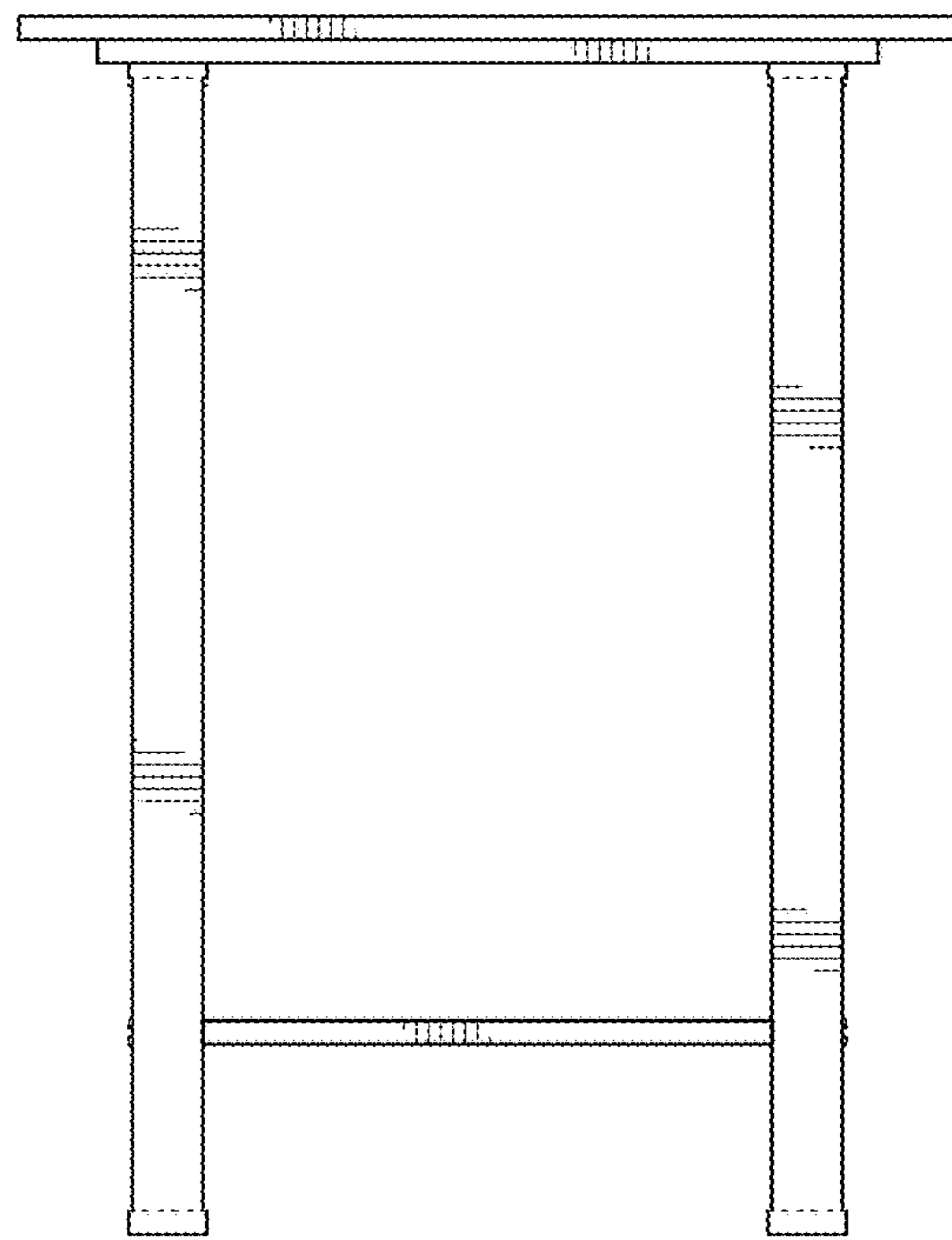


FIG. 7